

## UCC28880 700-V, 100-mA Low Quiescent Current Off-Line Converter

### 1 Features

- Integrated Power MOSFET (Switch) Rated to 700-V Drain-to-Source Voltage
- Integrated High-Voltage Current Source for Internal Low-Voltage Supply Generation
- Soft Start
- Self-Biased Switcher (Start Up and Operation Directly from Rectified Mains Voltage)
- Supports Buck, Buck-Boost and Flyback Topologies
- <math><100\text{-}\mu\text{A}</math> Device Quiescent Current
- Robust Performance with Inductor Current Runaway Prevention
- Thermal Shutdown
- Protection
  - Current Limit
  - Overload and Output Short Circuit
- Create a Custom Design Using the UCC28880 with the [WEBENCH Power Designer](#)

### 2 Applications

- AC-to-DC Power Supplies (Output Current Up to 100 mA for CCM; 70 mA for DCM)
- Metering, Home Automation, Infrastructure SMPS
- Low-Side Buck Topology for TRIAC Driver
- Appliances, White Goods and LED Drivers

### 3 Description

The UCC28880 integrates the controller and a 700-V power MOSFET into one monolithic device. The device also integrates a high-voltage current source, enabling start up and operation directly from the rectified mains voltage.

The low quiescent current of the device enables excellent efficiency. With the UCC28880 the most common converter topologies, such as buck, buck-boost and flyback can be built using a minimum number of external components.

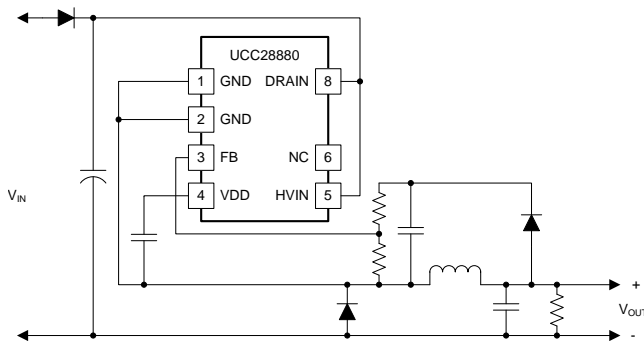
The UCC28880 incorporates a soft-start feature for controlled start up of the power stage which minimizes the stress on the power-stage components.

#### Device Information<sup>(1)</sup>

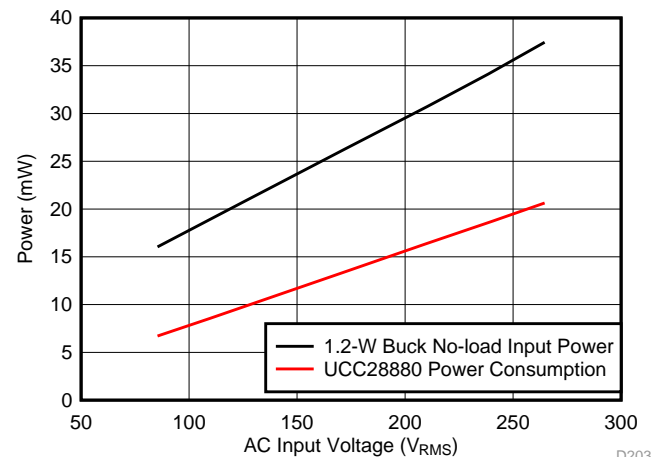
| PART NUMBER | PACKAGE  | BODY SIZE (NOM)   |
|-------------|----------|-------------------|
| UCC28880    | SOIC (7) | 5.00 mm x 6.20 mm |

(1) For all available packages, see the orderable addendum at the end of the data sheet.

#### Simplified Schematic



#### Standby Power vs Input Voltage



D203



## Table of Contents

|  |  |
|--|--|
| <b>1 Features</b> ..... 1<br><b>2 Applications</b> ..... 1<br><b>3 Description</b> ..... 1<br><b>4 Revision History</b> ..... 3<br><b>5 Pin Configuration and Functions</b> ..... 5<br><b>6 Specifications</b> ..... 6<br>6.1 Absolute Maximum Ratings ..... 6<br>6.2 ESD Ratings ..... 6<br>6.3 Recommended Operating Conditions ..... 7<br>6.4 Thermal Information ..... 7<br>6.5 Electrical Characteristics ..... 8<br>6.6 Switching Characteristics ..... 8<br>6.7 Typical Characteristics ..... 9<br><b>7 Detailed Description</b> ..... 11<br>7.1 Overview ..... 11<br>7.2 Functional Block Diagram ..... 11 | 7.3 Feature Description ..... 12<br>7.4 Device Functional Modes ..... 14<br><b>8 Application and Implementation</b> ..... 18<br>8.1 Application Information ..... 18<br>8.2 Typical Application ..... 18<br><b>9 Power Supply Recommendations</b> ..... 32<br><b>10 Layout</b> ..... 32<br>10.1 Layout Guidelines ..... 32<br>10.2 Layout Example ..... 32<br><b>11 Device and Documentation Support</b> ..... 33<br>11.1 Custom Design with WEBENCH Tools ..... 33<br>11.2 Receiving Notification of Documentation Updates ..... 33<br>11.3 Trademarks ..... 33<br>11.4 Electrostatic Discharge Caution ..... 33<br>11.5 Glossary ..... 33<br><b>12 Mechanical, Packaging, and Orderable Information</b> ..... 33 |
|--|--|

## 4 Revision History

### Changes from Revision C (January 2016) to Revision D Page

|  |    |
|--|----|
| • Changed HVIN off state current's MAX value from 12 $\mu$ A to 36 $\mu$ A. .... | 8  |
| • Changed <a href="#">Equation 2</a> .....                                       | 19 |

### Changes from Revision B (September 2015) to Revision C Page

|  |    |
|--|----|
| • Changed the documents title from, "UCC28880 700-V Lowest Quiescent Current Off-Line Switcher", to "700-V, 100-mA Low Quiescent Current Off-Line Converter". .... | 1  |
| • Changed <a href="#">Figure 16</a> image. ....  | 18 |
| • Changed <a href="#">Equation 14</a> .....  | 22 |
| • Changed <a href="#">Figure 19</a> image. ....  | 25 |
| • Changed <a href="#">Figure 22</a> image. ....  | 28 |
| • Changed <a href="#">Figure 23</a> image.....   | 28 |
| • Changed <a href="#">Figure 24</a> image.....   | 29 |
| • Changed <a href="#">Figure 25</a> image.....   | 29 |
| • Changed <a href="#">Figure 26</a> image.....   | 30 |
| • Changed <a href="#">Figure 27</a> image.....   | 30 |
| • Changed <a href="#">Figure 28</a> image.....   | 31 |

### Changes from Revision A (October 2014) to Revision B Page

|   |    |
|---|----|
| • Added Thermal Shutdown feature.....   | 1  |
| • Changed Applications features. ....   | 1  |
| • Changed Power vs Input Voltage image.....                                     | 1  |
| • Changed Layout Guidelines section.....  | 2  |
| • Changed $T_J$ specification and added note 4, 5 and 6. ....                   | 6  |
| • Added $I_{VDD}$ ratings. ....   | 6  |
| • Added HVIN pin exclusion. ....  | 6  |
| • Added VDD clamp voltage specification. ....                                   | 8  |
| • Changed Maximum switch on/off time specification. ....                        | 8  |
| • Added inductor current run away protection time threshold specification. .... | 8  |
| • Added $R_{THJA}$ vs Copper Area image. ....                                   | 10 |
| • Changed Feature Description section. ....                                     | 12 |
| • Changed PWM Controller section. ....  | 15 |
| • Added Current Limit details. ....   | 16 |
| • Changed <a href="#">Figure 15</a> .....                                       | 17 |
| • Changed <a href="#">Equation 1</a> .....                                      | 17 |
| • Changed Over-Temperature Protection section to Thermal Shutdown section.....  | 17 |
| • Changed Universal Input, 12-V, 100-mA Output Low-Side Buck image.....         | 18 |
| • Changed <a href="#">Equation 2</a> .....                                      | 19 |
| • Changed .....   | 20 |
| • Changed Freewheeling Diode (D1) section. ....                                 | 21 |
| • Changed <a href="#">Equation 5</a> .....                                      | 21 |
| • Changed <a href="#">Equation 7</a> .....                                      | 22 |
| • Changed <a href="#">Equation 9</a> .....                                      | 22 |
| • Changed <a href="#">Equation 10</a> .....                                     | 22 |

**UCC28880**

SLUSC05D – JULY 2014 – REVISED MAY 2016

[www.ti.com](http://www.ti.com)


---

|   |    |
|---|----|
| • Changed <a href="#">Equation 12</a> .....         | 22 |
| • Changed <a href="#">Equation 14</a> .....         | 22 |
| • Changed <a href="#">Equation 17</a> .....         | 23 |
| • Changed Low-Side Buck-Boost Converter image. .... | 29 |
| • Changed Layout Guidelines section.....            | 32 |

---

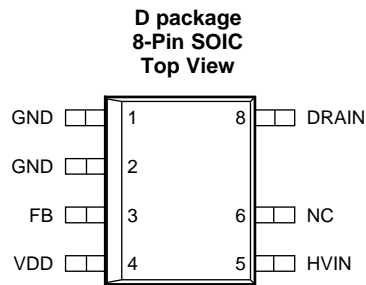
**Changes from Original (August, 2014) to Revision A**
**Page**


---

|   |    |
|---|----|
| • Added <i>Pin Configuration and Functions</i> section, <i>ESD table</i> , <i>Feature Description</i> section, <i>Device Functional Modes</i> , <i>Application and Implementation</i> section, <i>Power Supply Recommendations</i> section, <i>Layout</i> section, <i>Device and Documentation Support</i> section, and <i>Mechanical, Packaging, and Orderable Information</i> section. .... | 1  |
| • Changed Simplified Schematic drawing.....   | 1  |
| • Changed Typical Characteristics graphs 1 through 7. ....  | 2  |
| • Changed Typical Characteristics graphs 1 through 7. ....  | 9  |
| • Changed Typical Characteristics graphs 1 through 7. ....  | 10 |
| • Changed <a href="#">Equation 2</a> .....  | 19 |

---

## 5 Pin Configuration and Functions



**Pin Functions**

| PIN   |     | I/O | DESCRIPTION                                    |
|-------|-----|-----|--|
| NAME  | NO. |     |  |
| DRAIN | 8   | P   | Drain pin                                      |
| FB    | 3   | I   | Feedback terminal                              |
| GND   | 1   | G   | Ground   |
| GND   | 2   | G   | Ground   |
| HVIN  | 5   | P   | Supply pin                                     |
| NC    | 6   | N/C | Not internally connected                       |
| VDD   | 4   | O   | Supply pin, supply is provided by internal LDO |

## 6 Specifications

### 6.1 Absolute Maximum Ratings

 over operating free-air temperature range (unless otherwise noted) <sup>(1)(2)(3)</sup>

|                               |   | MIN                | MAX                | UNIT |
|-------------------------------|---|--------------------|--------------------|------|
| HVIN                          |   | -0.3               | 700 <sup>(4)</sup> | V    |
| DRAIN                         |   | Internally clamped | 700 <sup>(4)</sup> | V    |
| I <sub>DRAIN</sub>            | Positive drain current single pulse, pulse max duration 25 μs |                    | 320 <sup>(5)</sup> | mA   |
| I <sub>DRAIN</sub>            | Negative drain current  | -320               |                    | mA   |
| FB                            |   | -0.3               | 6                  | V    |
| VDD                           | VDD is supplied from low impedance source                     | -0.3               | 6                  | V    |
| I <sub>VDD</sub>              | VDD is supplied from high impedance source                    |                    | 400                | μA   |
| T <sub>J</sub> <sup>(6)</sup> | Junction temperature  |                    | 150                | °C   |
|                               | Lead temperature 1.6 mm (1/16 inch) from case 10 seconds      |                    | 260                | °C   |
| T <sub>stg</sub>              | Storage temperature range                                     | -65                | 150                | °C   |

- (1) Stresses beyond those listed under *Absolute Maximum Ratings* may cause permanent damage to the device. These are stress ratings only, which do not imply functional operation of the device at these or any other conditions beyond those indicated under *Recommended Operating Conditions*. Exposure to absolute-maximum-rated conditions for extended periods may affect device reliability.
- (2) All voltages are with respect to GND. Currents are positive into, negative out of the specified terminal. These ratings apply over the operating ambient temperature ranges unless otherwise noted.
- (3) The device is not rated to withstand operating conditions when multiple parameters are at or near, absolute maximum ratings.
- (4) T<sub>A</sub> = 25°C
- (5) The MOSFET drain to source voltage is less than 400V
- (6) The thermal shutdown threshold can be beyond the absolute maximum rating of the junction temperature. Thermal shut down is designed to prevent thermal run away that could result in catastrophic failure. Prolonged operation above recommended maximum junction temperature can impact device life time

### 6.2 ESD Ratings

|                    |                         |   | UNIT  |   |
|--------------------|-------------------------|---|-------|---|
| V <sub>(ESD)</sub> | Electrostatic discharge | Human Body Model (HBM), per ANSI/ESDA/JEDEC JS-001, all pins except HVIN pin <sup>(1)</sup> | ±2000 | V |
|                    |                         | Human Body Model (HBM) per ANSI/ESDA/JEDEC JS-001, HVIN pin <sup>(1)</sup>                  | ±1500 | V |
|                    |                         | Charged device model (CDM), per JEDEC specification JESD22-C101, all pins <sup>(2)</sup>    | ±500  | V |

- (1) JEDEC document JEP155 states that 500-V HBM allows safe manufacturing with a standard ESD control process.
- (2) JEDEC document JEP157 states that 250-V CDM allows safe manufacturing with a standard ESD control process.

### 6.3 Recommended Operating Conditions

over operating free-air temperature range (unless otherwise noted)

|                  |                                | MIN  | NOM | MAX | UNIT |
|------------------|--------------------------------|------|-----|-----|------|
| V <sub>VDD</sub> | Voltage On VDD pin             |      | 5   |     | V    |
| V <sub>FB</sub>  | Voltage on FB pin              | -0.2 |     | 5   | V    |
| T <sub>A</sub>   | Operating ambient temperature  | -40  |     | 105 | °C   |
| T <sub>J</sub>   | Operating junction temperature | -40  |     | 125 | °C   |

### 6.4 Thermal Information

| THERMAL METRIC <sup>(1)</sup> |  | UCC28880 |  | UNIT |
|-------------------------------|--|----------|--|------|
|                               |  | D (SOIC) |  |      |
|                               |  | 7 PINS   |  |      |
| R <sub>θJA</sub>              | Junction-to-ambient thermal resistance       | 134.4    |  | °C/W |
| R <sub>θJC(top)</sub>         | Junction-to-case (top) thermal resistance    | 42.6     |  | °C/W |
| R <sub>θJB</sub>              | Junction-to-board thermal resistance         | 85       |  | °C/W |
| ψ <sub>JT</sub>               | Junction-to-top characterization parameter   | 6.4      |  | °C/W |
| ψ <sub>JB</sub>               | Junction-to-board characterization parameter | 76       |  | °C/W |

(1) For more information about traditional and new thermal metrics, see the *Semiconductor and IC Package Thermal Metrics* application report, [SPRA953](#).

## 6.5 Electrical Characteristics

 $V_{HVIN} = 30\text{ V}$ ,  $T_A = T_J = -40^\circ\text{C}$  to  $+125^\circ\text{C}$  (unless otherwise noted)

| PARAMETER              | TEST CONDITIONS  | MIN  | TYP  | MAX  | UNIT |                  |               |
|------------------------|--|--|------|------|------|------------------|---------------|
| $V_{HVIN(min)}$        | Minimum Voltage to startup                                       |  |      | 30   | V    |                  |               |
| $I_{NL}$               | Internal supply current, no load                                 | FB = 1.25 V ( $> V_{FB\_TH}$ )   |      | 58   | 100  | $\mu\text{A}$    |               |
| $I_{FL}$               | Internal supply current, full load                               | FB = 0.75 V ( $> V_{FB\_TH}$ )   |      | 72   | 120  | $\mu\text{A}$    |               |
| $I_{CH0}$              | Charging VDD Cap current   | $V_{VDD} = 0\text{ V}$ ,   |      | -3.8 | -1.6 | -0.4             | mA            |
| $I_{CH1}$              | Charging VDD Cap current   | $V_{VDD} = 4.4\text{ V}$ , $V_{FB} = 1.25\text{ V}$                              |      | -3.4 | -1.3 | -0.25            | mA            |
| $V_{VDD}$              | Internally regulated low Voltage supply (supplied from HVIN pin) | 4.5  | 5    | 5.5  | V    |                  |               |
| $V_{FB\_TH}$           | FB pin reference threshold                                       | 0.94   | 1.02 | 1.1  | V    |                  |               |
| $V_{VDD(on)}$          | VDD turn-on threshold  | VDD low-to-high  |      | 3.55 | 3.92 | 4.28             | V             |
| $\Delta V_{VDD(uvlo)}$ | VDDON - VDD turn-off threshold                                   | VDD high-to-low  |      | 0.28 | 0.33 | 0.38             | V             |
| $D_{MAX}$              | Maximum Duty Cycle   | FB = 0.75 V  |      | 45%  | 55%  |                  |               |
| $I_{LIMIT}$            | Current Limit  | Static, $T_A = -40^\circ\text{C}$  |      |      | 300  | mA               |               |
|                        |  | Static, $T_A = 25^\circ\text{C}$   |      | 170  | 210  | 260              | mA            |
|                        |  | Static, $T_A = 125^\circ\text{C}$  |      | 140  |      |                  | mA            |
| $T_{J(stop)}$          | Thermal Shutdown Temperature                                     | Internal junction temperature  |      |      | 150  | $^\circ\text{C}$ |               |
| $T_{J(hyst)}$          | Thermal Shutdown Hysteresis                                      | Internal junction temperature  |      |      | 50   | $^\circ\text{C}$ |               |
| BV                     | Power MOSFET Breakdown Voltage                                   | $T_J = 25^\circ\text{C}$   |      | 700  |      | V                |               |
| $R_{DS(on)}$           | Power MOSFET On-Resistance (includes internal sense-resistor)    | $I_D = 30\text{ mA}$ , $T_J = 25^\circ\text{C}$                                  |      |      | 32   | 40               | $\Omega$      |
|                        |  | $I_D = 30\text{ mA}$ , $T_J = 125^\circ\text{C}$                                 |      |      | 55   | 68               | $\Omega$      |
| DRAIN_ $I_{LEAKAGE}$   | Power MOSFET off state leakage current                           | $V_{DRAIN} = 700\text{ V}$ , $T_J = 25^\circ\text{C}$                            |      |      |      | 5                | $\mu\text{A}$ |
|                        |  | $V_{DRAIN} = 400\text{ V}$ , $T_J = 125^\circ\text{C}$                           |      |      |      | 20               | $\mu\text{A}$ |
| HVIN_ $I_{OFF}$        | HVIN off state current   | $V_{HVIN} = 700\text{ V}$ , $T_J = 25^\circ\text{C}$ , $V_{VDD} = 5.8\text{ V}$  |      | 4    | 7.5  | 36               | $\mu\text{A}$ |
|                        |  | $V_{HVIN} = 400\text{ V}$ , $T_J = 125^\circ\text{C}$ , $V_{VDD} = 5.8\text{ V}$ |      |      |      | 20               | $\mu\text{A}$ |
| $V_{VDD(clamp)}$       | VDD clamp voltage  | $I_{VDD} = 250\text{ }\mu\text{A}$   |      | 6    | 6.7  | 7.5              | V             |

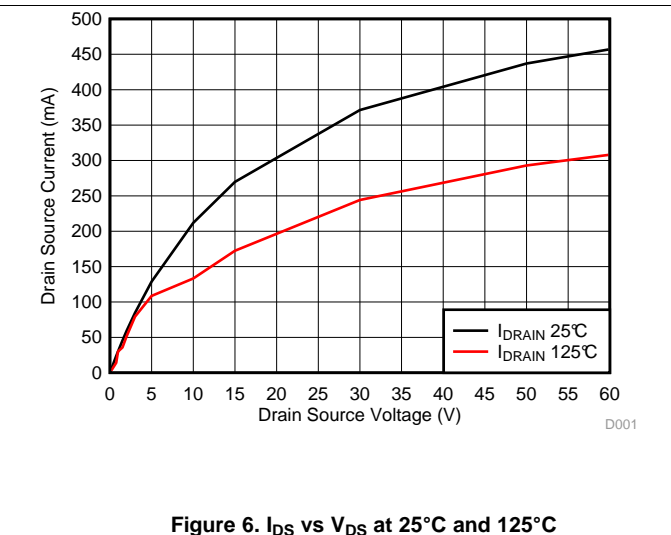
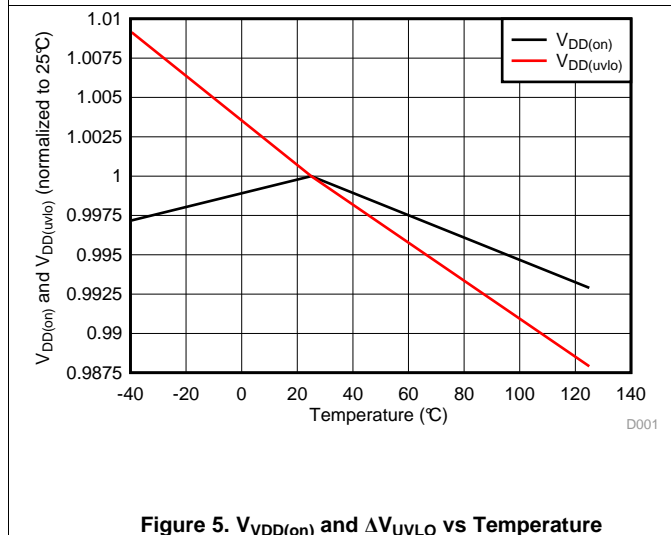
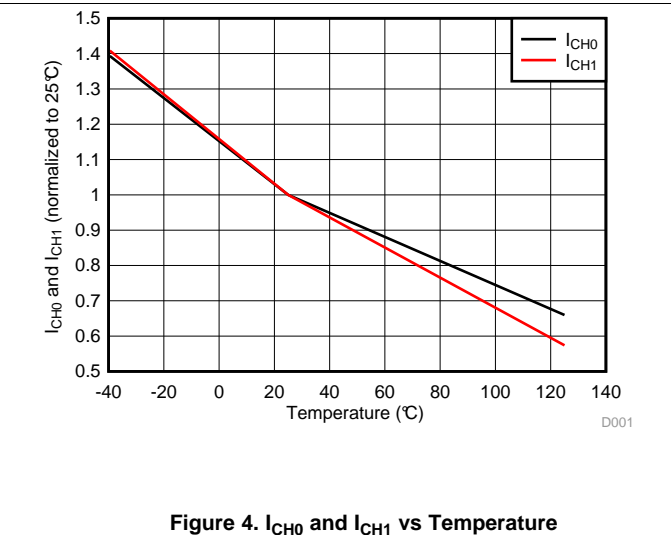
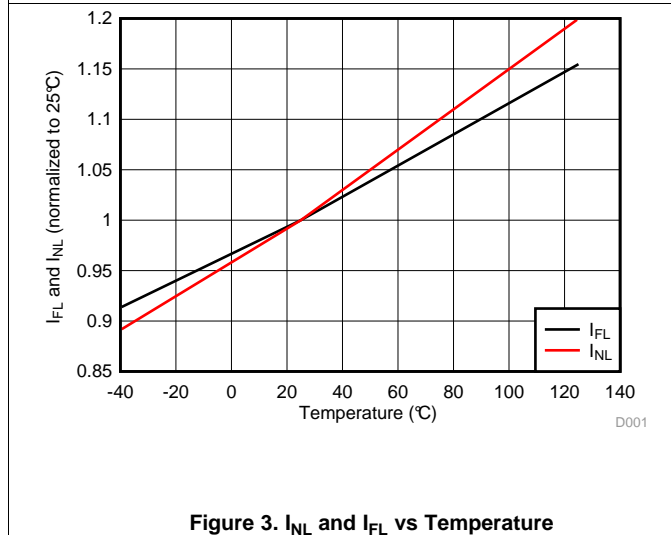
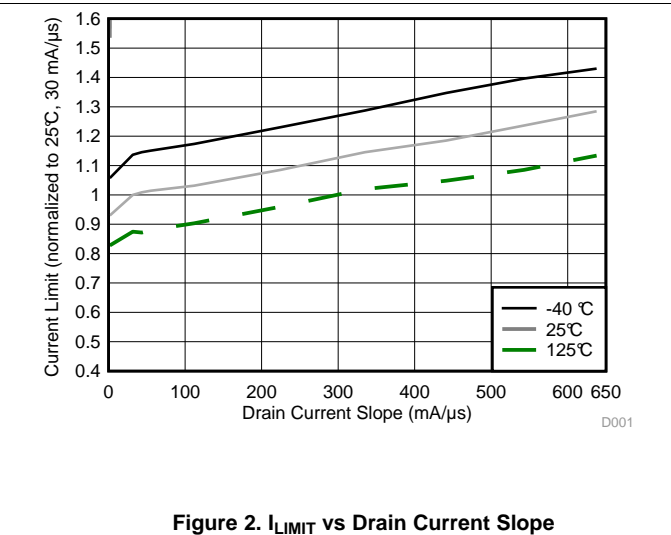
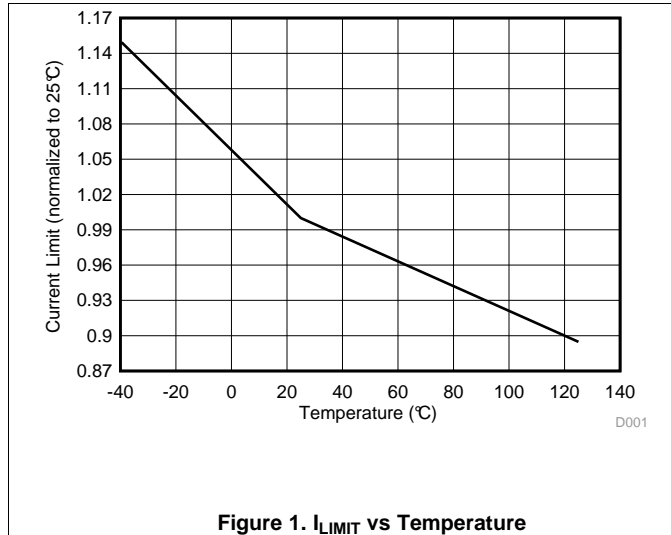
## 6.6 Switching Characteristics

over operating free-air temperature range (unless otherwise noted)

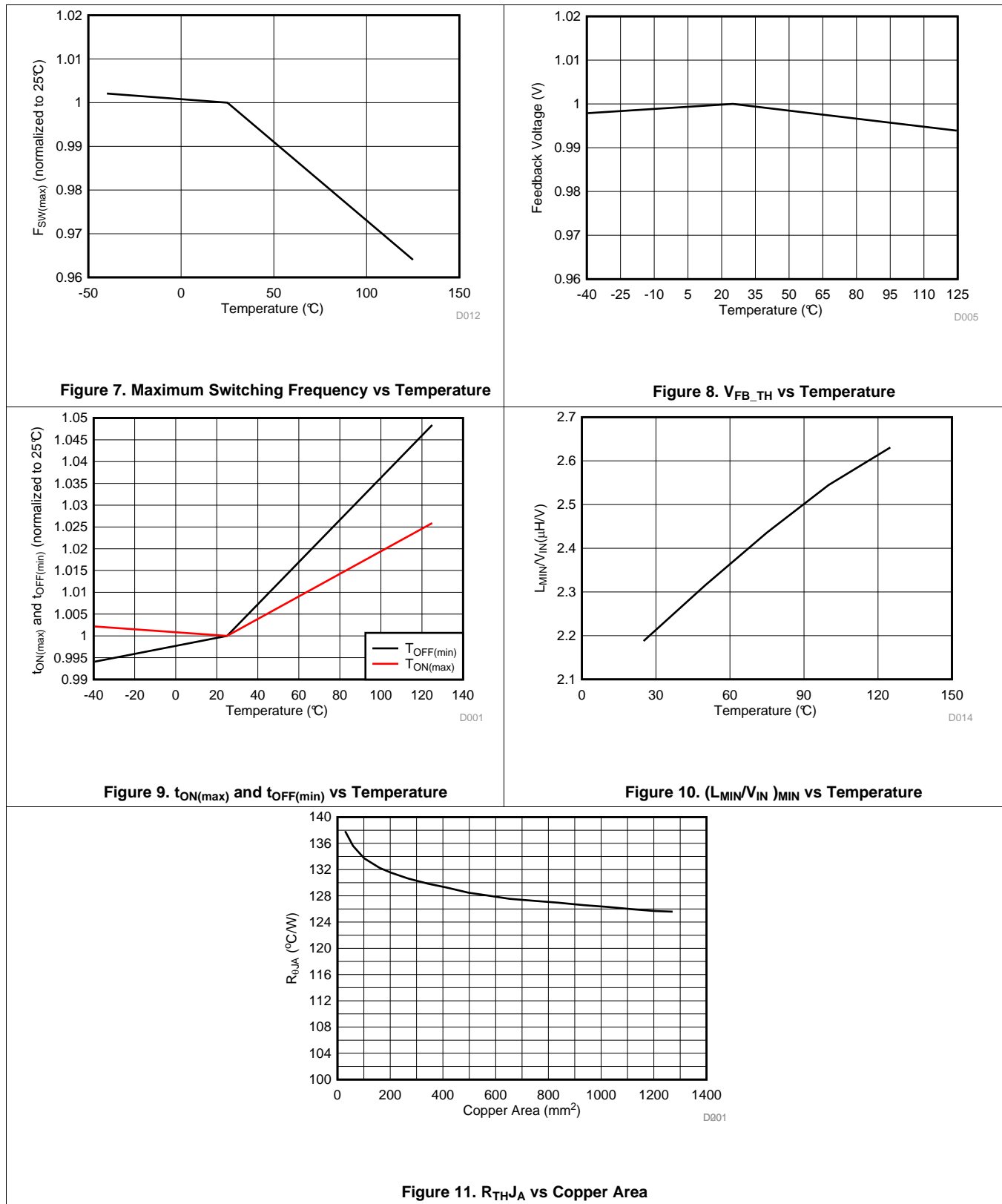
|                |   | MIN  | TYP  | MAX  | UNIT          |
|----------------|---|------|------|------|---------------|
| $f_{SW(max)}$  | Maximum switching frequency   | 52   | 62   | 75   | kHz           |
| $t_{ON\_MAX}$  | Maximum switch on time (current limiter not triggered), FB = 0.75 V | 6.5  | 8.1  | 9.7  | $\mu\text{s}$ |
| $t_{OFF\_MIN}$ | Minimum switch off time follows every $t_{ON}$ time, FB = 0.75 V    | 6.5  | 8.1  | 9.7  | $\mu\text{s}$ |
| $t_{MIN}$      | Minimum on time   | 0.17 | 0.22 | 0.30 | $\mu\text{s}$ |
| $t_{OFF(ovl)}$ | Max off time (OL condition), $t_{OFF(ovl)} = t_{SW} - t_{ON(max)}$  | 130  | 200  | 270  | $\mu\text{s}$ |
| $t_{on\_TO}$   | Inductor current run away protection time threshold                 |      |      | 500  | ns            |



## 6.7 Typical Characteristics



**Typical Characteristics (continued)**



## 7 Detailed Description

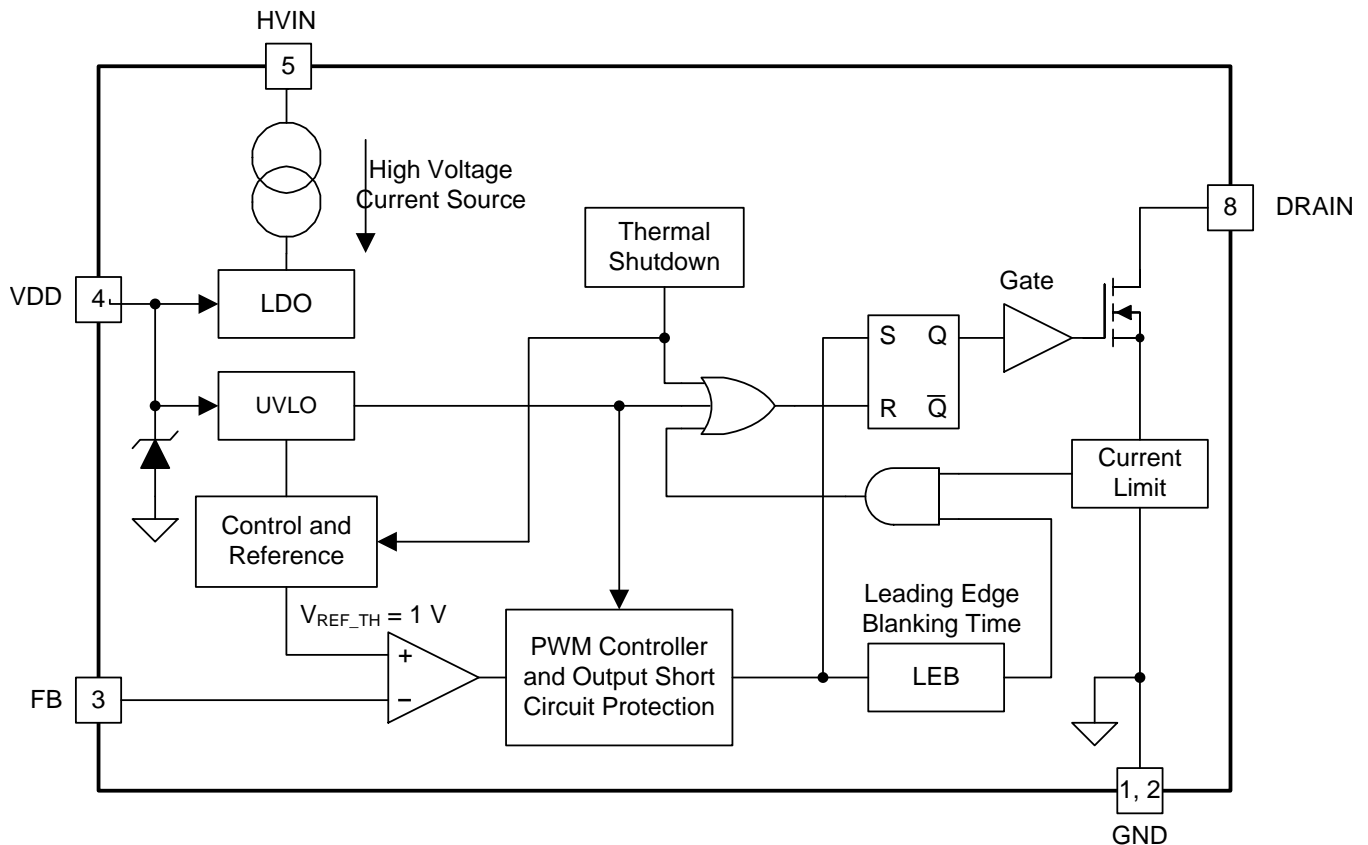
### 7.1 Overview

The UCC28880 integrates a controller and a 700-V power MOSFET into one monolithic device. The device also integrates a high-voltage current source, enabling start up and operation directly from the rectified mains voltage.

The low-quiescent current of the device enables excellent efficiency. The device is suitable for non-isolated AC-to-DC low-side buck and buck-boost configurations with level-shifted direct feedback, but also more traditional high-side buck, buck boost and low-power flyback converters with low standby power can be built using a minimum number of external components.

The device generates its own internal low-voltage supply (5 V referenced to the device's ground, GND) from the integrated high-voltage current source. The PWM signal generation is based on a maximum constant on-time, minimum off-time concept, with the triggering of the on-pulse depending on the feedback voltage level. Each on-pulse is followed by a minimum off-time to ensure that the power MOSFET is not continuously driven in an on-state. The PWM signal is AND-gated with the signal from a current limit circuit. No internal clock is required, as the switching of the power MOSFET is load dependent. A special protection mechanism is included to avoid runaway of the inductor current when the converter operates with the output shorted or in other abnormal conditions that can lead to an uncontrolled increase of the inductor current. This special protection feature keeps the MOSFET current at a safe operating level. The device is also protected from other fault conditions with thermal shutdown, under-voltage lockout and soft-start features.

### 7.2 Functional Block Diagram



### 7.3 Feature Description

The device integrates a 700-V rated power MOSFET switch, a PWM controller, a high-voltage current source to supply a low-voltage power supply regulator, a bias and reference block, thermal shutdown and the following protection features, current limiter, under voltage lockout (UVLO) and overload protection for situations like short circuit at the output.

In low-side buck and buck-boost topologies, the external level-shifted direct feedback circuit can be implemented by two resistors and a high-voltage PNP transistor.

The positive high-voltage input of the converter node (VIN+) functions as a system reference ground for the output voltage in low-side topologies. In the low-side buck topology the output voltage is negative with respect to the positive high-voltage input (VIN+), and in low-side buck-boost topology the output voltage is positive with respect to the positive high-voltage input (VIN+).

In high-side buck configuration, as well as in non-isolated flyback configuration, the output voltage is positive with respect to the negative high-voltage input (VIN-), which is the system reference ground.

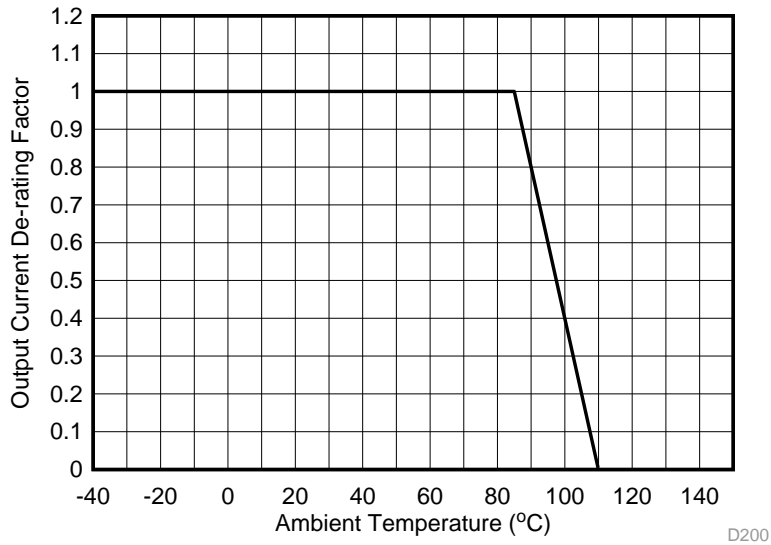
UCC28880 can operate under continuous conduction mode (CCM) or discontinuous conduction mode (DCM) mode. CCM operation allows the converter to deliver more output power because of less current ripple. However, it requires a higher inductor value and generally results in lower efficiency due to the added losses associated with diode reverse recovery current. On the other hand, DCM mode operation uses a smaller inductor and achieves better efficiency, but the output current handling capability is reduced because of increased current ripple. The table below shows the current handling capability in DCM and CCM operation.

**Table 1. Current Handling Capability**

| CURRENT HANDLING MODE               | 230 V <sub>AC</sub> ±15% | 85 V ~ 265 V <sub>AC</sub> |
|-------------------------------------|--------------------------|----------------------------|
| Discontinuous Conduction Mode (DCM) | 70 mA                    | 70 mA                      |
| Continuous Conduction Mode (CCM)    | 100 mA                   | 100 mA                     |

When the bus voltage is higher than 400 V, it is recommended to limit operation to DCM mode only to avoid the diode reverse recovery current and the associated internal MOSFET stress. Due to the higher switching loss and device stresses at higher bus voltage, it is recommended to keep the converter input voltage less than 560 V for the buck applications.

UCC28880 power handling capability is reduced at higher ambient temperature, as a function of the power dissipation of the device, the device's recommended maximum operating junction temperature and the thermal dissipation capability of the total system. De-rating of the output current according to maximum ambient temperature can be estimated from [Figure 12](#). The de-rating estimation assumes CCM operation, 7 μJ of switching loss and 135°C/W R<sub>THJA</sub> and 30-kHz full-load switching frequency. This is a conservative estimation. The thermal handling capability can be more accurately determined through experimental measurement. For more information on thermal evaluation methods see the IC Package and Thermal Metrics application report: [SPRA953](#).



**Figure 12. Output Current (De-Rating Factor) vs. Temperature**

It is required to use fast recovery diode for the buck freewheeling diode. When designed in CCM, the diode reverse recovery time should be less than 35 ns to keep low reverse recovery current and the switching loss. For example, STTH1R06A provides 25-ns reverse recovery time. When designed in DCM, a slower diode can be used, but the reverse-recovery time should be kept less than 75 ns. MURS160 can fit the requirement.

The device has a low-standby power consumption (no-load condition), only 18 mW (typical) when connected to a 230-V<sub>AC</sub> mains and 9 mW when connected to an 115-V<sub>AC</sub> mains.

The standby power does not include the power dissipated in the external feedback path, the power dissipated in the external pre-load, the inductor in the freewheeling diode and the converter input stage (rectifiers and filter).

## 7.4 Device Functional Modes

### 7.4.1 Startup Operation

The device includes a high-voltage current source connected between the HVIN pin and the internal supply for the regulator. When the voltage on the HVIN pin rises, the current source is activated and starts to supply current to the internal 5-V regulator. The 5-V regulator charges the external capacitor connected between VDD pin and GND pin. When the VDD voltage exceeds the VDD turn-on threshold,  $V_{VDD(on)}$ , device starts operations. The minimum voltage across HVIN and GND pins, to ensure enough current to charge the capacitance on VDD pin, is  $V_{HVIN(min)}$ . At the First switching cycle the minimum MOSFET off time is set to be  $>100 \mu s$  and cycle-by-cycle is progressively reduced up to  $t_{OFF(min)}$  providing soft start.

### 7.4.2 Feedback and Voltage Control Loop

The feedback circuit consists of a voltage comparator with the positive input connected to an internal reference voltage (referenced to GND) and the negative input connected to FB pin. When the feedback voltage at the FB pin is below the reference voltage  $V_{FB\_TH}$  logic high is generated at the comparator output. This logic high triggers the PWM controller, which generates the PWM signal turning on the MOSFET. When the feedback voltage at the FB pin is above the reference voltage, it indicates that the output voltage of the converter is above the targeted output voltage set by the external feedback circuitry and PWM is stopped.

## Device Functional Modes (continued)

### 7.4.3 PWM Controller

UCC28880 operates under on/off control. When the FB pin voltage is below internal reference 1 V, the converter is switching and sending power to the load. When the FB pin voltage is above internal reference 1 V, the converter shuts off and stops delivering power to the load.

The PWM controller does not need a clock signal. The PWM signal's frequency is set to  $f_{SW(max)} = (1/(t_{ON(max)} + t_{OFF(min)}))$  which occurs when the voltage on the FB pin is continuously below  $V_{FB\_TH}$ .

PWM duty cycle is determined by both the peak current and maximum on time. At each switching cycle, after turn on, the MOSFET is turned off if its current reaches the fixed peak-current threshold or its on time reaches the maximum value of on-time pulse  $t_{ON(max)}$ .

Normally the converter would operate under frequency control, which means the converter is only enabled one switching cycle and then disabled. Next switching cycle starts when output voltage decays and the feedback enable the converter again. This way, the converter appears to operate under variable switching frequency control.

The user might observe the converter operates in burst mode that converter is enabled for multiple switching cycles and then stopped for multiple switching cycles. This causes larger output voltage ripple. However, due to the infrequent switching it actually helps on the standby power at no load.

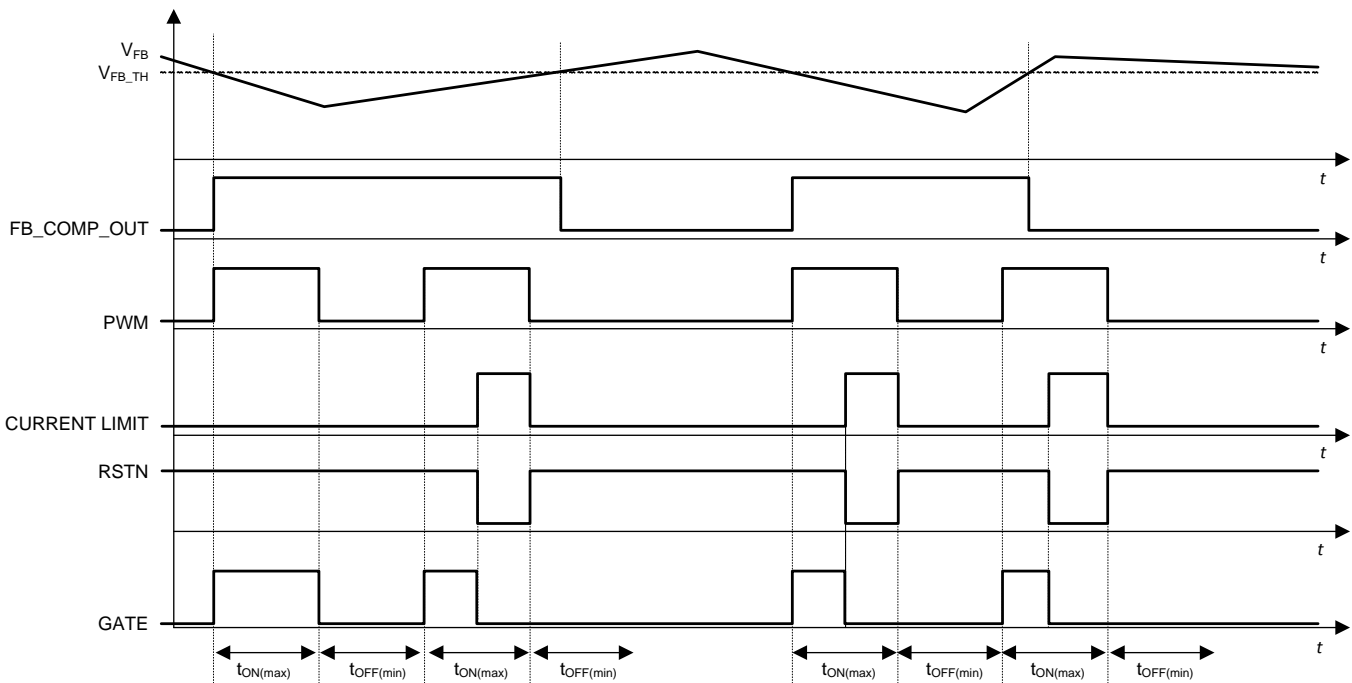


Figure 13. UCC28880 Timing Diagram

## Device Functional Modes (continued)

### 7.4.4 Current Limit

The current limit circuit senses the current through the power MOSFET. The sensing circuit is located between the source of the power MOSFET and the GND pin. When the current in the power MOSFET exceeds the threshold  $I_{LIMIT}$ , the internal current limit signal goes high, which sets the internal RSTN signal low. This disables the power MOSFET by driving its gate low. The current limit signal is set back low after the falling edge of the PWM signal. After the rising edge of the GATE signal, there is a blanking time. During this blanking time, the current limit signal cannot go high. This blanking time and the internal propagation delay result in minimum on time,  $t_{MIN}$ .

### 7.4.5 Inductor Current Runaway Protection

To protect the device from overload conditions, including a short circuit at the output, the PWM controller incorporates a protection feature which prevents the inductor current from runaway. When the output is shorted the inductor demagnetization is very slow, low  $di/dt$ , and when the next switching cycle starts energy stored in the inductance is still high. After the MOSFET switches on, the current starts to rise from pre-existing DC value and reaches the current-limit value in a short duration of time. Because of the intrinsic minimum on-time of the device the MOSFET on-time cannot be lower than  $t_{MIN}$ , in an overload or output short circuit the energy inductance is not discharged sufficiently during MOSFET off-time, it is possible to lose control of the current leading to a runaway of the inductor current. To avoid this, if the on-time is less than  $t_{ON\_TO}$  ( $t_{ON\_TO}$  is a device internal time out), the controller increases the MOSFET off-time ( $t_{OFF}$ ). If the MOSFET on-time is longer than  $t_{ON\_TO}$  then  $t_{OFF}$  is decreased. The controller increases  $t_{OFF}$ , cycle-by-cycle, through discrete steps until the on-time continues to stay below  $t_{ON\_TO}$ . The  $t_{OFF}$  is increased up to  $t_{OFF(ov)}$  after that, if the on-time is still below  $t_{ON\_TO}$  the off-time is kept equal to  $t_{OFF(ov)}$ . The controller decreases  $t_{OFF}$  cycle-by-cycle until the on-time continues to stay above  $t_{ON\_TO}$  up to  $t_{OFF(min)}$ . This mechanism prevents control loss of the inductor current and prevents over stress of the MOSFET (see typical waveforms in [Figure 14](#) and [Figure 15](#)). At start up, the  $t_{OFF}$  is set to  $t_{OFF(ov)}$  and reduced cycle-by-cycle (if the on-time is longer than  $t_{ON\_TO}$ ) up to  $t_{OFF(min)}$  providing a soft start for the power stage.

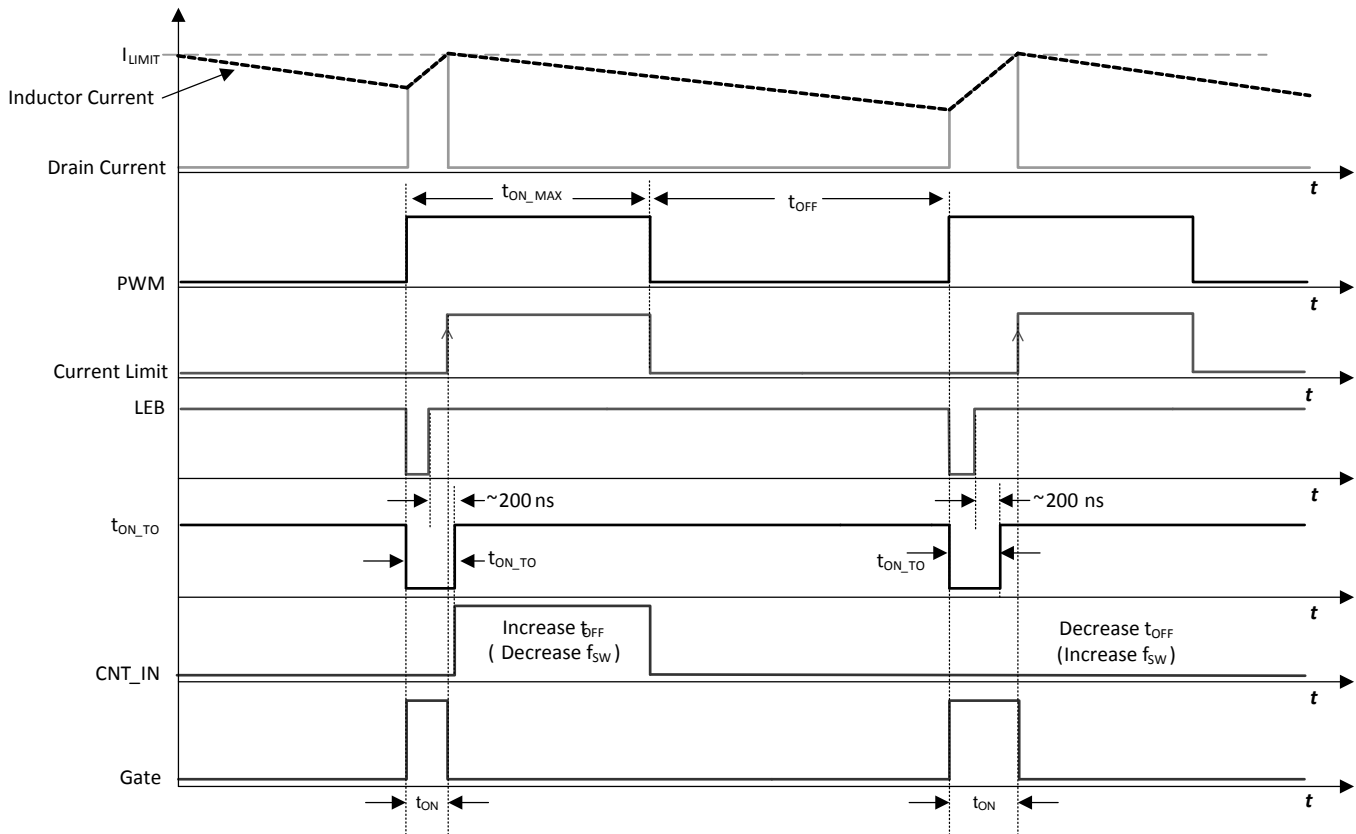


Figure 14. Current Runaway Protection Logic Timing Diagram



Device Functional Modes (continued)

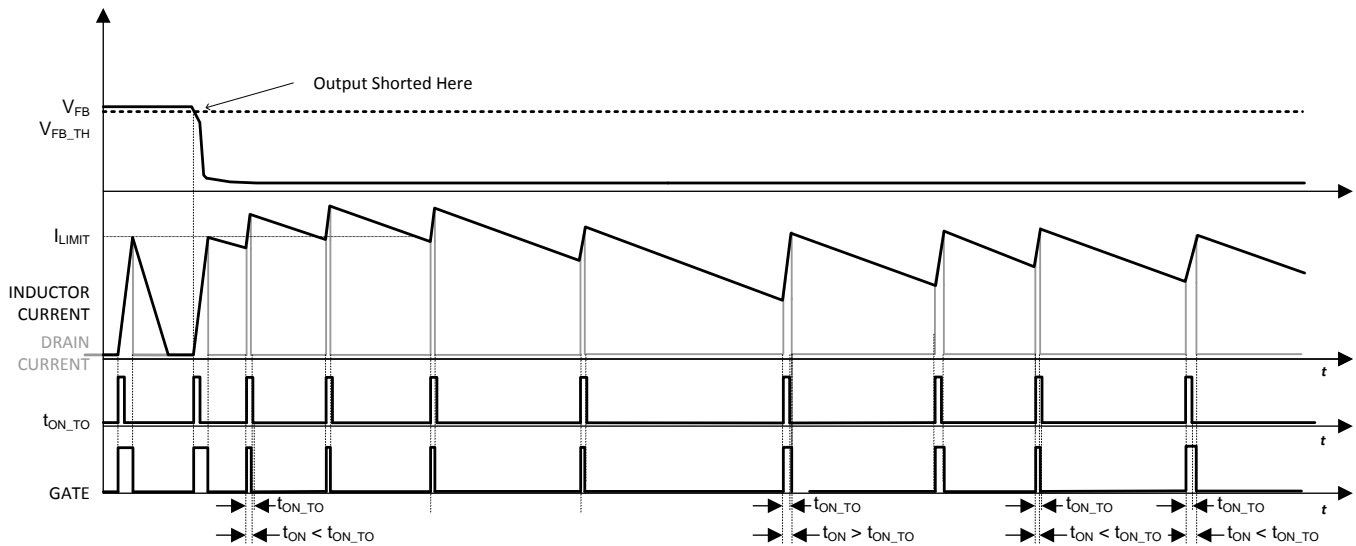


Figure 15. Current Runaway Protection, Inductor and MOSFET Current

A minimal value needs to be imposed on the inductance value to avoid nuisance tripping of the protection feature that prevents the loss of control of the inductor current. Inadvertent operation of the protection feature limits the output-power capability of the converter. This condition depends on the converter's maximum input operating voltage and temperature. Use Equation 1 to calculate your minimum inductance value.

$$L > \left[ \left( \frac{L_{MIN}}{V_{IN}} \right) \right]_{T_J=T_{J(max)}} \times V_{IN(max)} = \frac{V_{IN(max)}}{I_{LIMIT}} \times t_{ON\_TO} \tag{1}$$

The value of Equation 1 can be found by characterization graph of Figure 10. Pick the value at the desired maximum junction temperature

If the inductance value is too low, such that the MOSFET on-time is always less than  $t_{ON\_TO}$  timeout and the device progressively increases the MOSFET off-time up to  $t_{OFF(ov)}$ , the output power is reduced and the converter fails to supply the load.

7.4.6 Thermal Shutdown

If the junction temperature rises above  $T_{J(stop)}$ , the thermal shutdown is triggered. This disables the power MOSFET switching. To re-enable the switching of the MOSFET the junction temperature has to fall by  $T_{J(hyst)}$  below the  $T_{J(stop)}$  where the device moves out of over temperature.

According to the electrical specs, the thermal shutdown threshold can be beyond the device's rated absolute maximum junction temperature. Thermal shutdown is designed to prevent thermal run away that could result in catastrophic failure. Prolonged operation above the recommended maximum junction temperature can impact device lifetime.

## 8 Application and Implementation

### 8.1 Application Information

The UCC28880 can be used in various application topologies with direct or isolated feedback. The device can be used in low-side buck, where the output voltage is negative, or as a low-side buck-boost configuration, where the output voltage is positive. In both configurations the common reference node is the positive input node (VIN+). The device can also be configured as a LED driver in either of the above mentioned configurations. If the application requires the AC-to-DC power supply output to be referenced to the negative input node (VIN-), the UCC28880 can also be configured as a traditional high-side buck as shown in Figure 19. In this configuration, the voltage feedback is sampling the output voltage VOUT, making the DC regulation less accurate and load dependent than in low-side buck configuration, where the feedback is always tracking the VOUT. However, high-conversion efficiency can still be obtained.

### 8.2 Typical Application

#### 8.2.1 12-V, 100-mA Low-Side Buck Converter

Figure 16 shows a typical application example of a non-isolated power supply, where the UCC28880 is connected in a low-side buck configuration having an output voltage that is negative with respect to the positive input voltage (VIN+). The output voltage is set to 12 V in this example, but can easily be changed by changing the value of RFB1. This application can be used for a wide variety of household appliances and automation, or any other applications where mains isolation is not required.

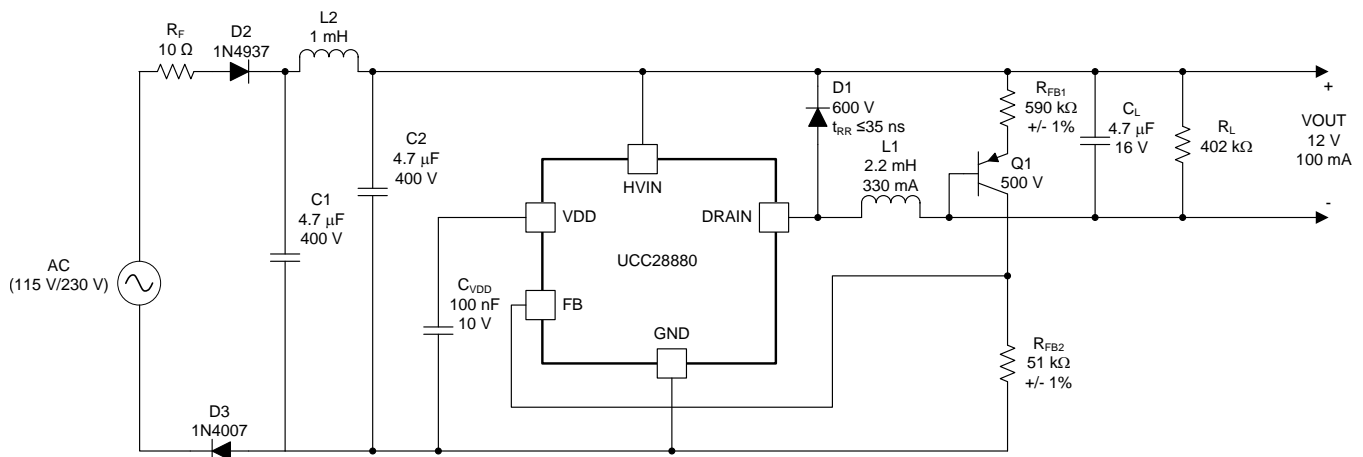


Figure 16. Universal Input, 12-V, 100-mA Output Low-Side Buck

#### 8.2.1.1 Design Requirements

Table 2. Design Specification

| DESCRIPTION                |                       | MIN | MAX | UNIT             |
|----------------------------|-----------------------|-----|-----|------------------|
| <b>DESIGN INPUT</b>        |                       |     |     |                  |
| V <sub>IN</sub>            | AC input voltage      | 85  | 265 | V <sub>RMS</sub> |
| f <sub>LINE</sub>          | Line frequency        | 47  | 63  | Hz               |
| I <sub>OUT</sub>           | Output current        | 0   | 100 | mA               |
| <b>DESIGN REQUIREMENTS</b> |                       |     |     |                  |
| P <sub>NL</sub>            | No-load input power   |     | 50  | mW               |
| V <sub>OUT</sub>           | Output voltage        | 12  | 13  | V                |
| ΔV <sub>OUT</sub>          | Output voltage ripple |     | 350 | mV               |
| η                          | Converter efficiency  | 68% |     |                  |

## 8.2.1.2 Detailed Design Procedure

### 8.2.1.2.1 Custom Design with WEBENCH Tools

[Click here](#) to create a custom design using the UCC28880 device with the WEBENCH® Power Designer.

1. Start by entering your  $V_{IN}$ ,  $V_{OUT}$  and  $I_{OUT}$  requirements.
2. Optimize your design for key parameters like efficiency, footprint and cost using the optimizer dial and compare this design with other possible solutions from Texas Instruments.
3. WEBENCH Power Designer provides you with a customized schematic along with a list of materials with real time pricing and component availability.
4. In most cases, you will also be able to:
  - Run electrical simulations to see important waveforms and circuit performance,
  - Run thermal simulations to understand the thermal performance of your board,
  - Export your customized schematic and layout into popular CAD formats,
  - Print PDF reports for the design, and share your design with colleagues.
5. Get more information about WEBENCH tools at [www.ti.com/webench](http://www.ti.com/webench).

### 8.2.1.2.2 Input Stage ( $R_F$ , D2, D3, C1, C2, L2)

- Resistor  $R_F$  is a flame-proof fusible resistor.  $R_F$  limits the inrush current, and also provide protection in case any component failure causes a short circuit. Value for its resistance is generally selected between 4.7  $\Omega$  to 15  $\Omega$ .
- A half-wave rectifier is chosen and implemented by diode D2 (1N4937). It is a general purpose 1-A, 600-V rated diode. It has a fast reverse recovery time (200 ns) for improved differential-mode-conducted EMI noise performance. Diode D3 (1N4007) is a general purpose 1-A, 1-kV rated diode with standard reverse recovery time (>500 ns), and is added for improved common-mode-conducted EMI noise performance. D3 can be removed and replaced by a short if not needed.
- EMI filtering is implemented by using a single differential-stage filter (C1-L2-C2).

Capacitors C1 and C2 in the EMI filter also acts as storage capacitors for the high-voltage input DC voltage ( $V_{IN}$ ). The required input capacitor size can be calculated according [Equation 2](#).

$$C_{BULK\min} = \frac{2 \times P_{IN}}{f_{LINE(\min)}} \times \left\{ \frac{1}{RCT} - \frac{1}{2 \times \pi} \times \arccos \left( \frac{V_{BULK(\min)}}{\sqrt{2} \times V_{IN(\min)}} \right) \right\}$$

$$2 \times V_{IN(\min)}^2 - V_{BULK(\min)}^2$$

where

- $C_{BULK(\min)}$  is minimum value for the total input capacitor value (C1 + C2 in the schematic of [Figure 16](#)).
- $RCT = 1$  in case a half wave rectifier and  $RCT = 2$  in case of full-wave rectifier (for the schematic reported in [Figure 22](#)  $RCT = 1$  because of a half-wave rectifier).
- $P_{IN}$  is the converter input power.
- $V_{IN(\min)}$  is the minimum RMS value of the AC input voltage.
- $V_{BULK(\min)}$  is the minimum allowed voltage value across bulk capacitor during converter operation.
- $f_{LINE(\min)}$  is the minimum line frequency when the line voltage is  $V_{IN(\min)}$ .

The converter input power can be easily calculated as follow:

- The converter maximum output power is:  $P_{OUT} = I_{OUT} \times V_{OUT} = 0.1 \text{ A} \times 12.5 \text{ V} = 1.25 \text{ W}$
- Assuming the efficiency  $\eta = 68\%$  the input power is  $P_{IN} = P_{OUT}/\eta = 1.765 \text{ W}$

Using the following values for the other parameters

- $V_{BULK(\min)} = 80 \text{ V}$
- $V_{IN(\min)} = 85 \text{ V}_{RMS}$  (from design specification table)
- $f_{LINE(\min)} = 57 \text{ Hz}$  (2)

$C_{BULK(\min)} = 6.96 \mu\text{F}$ . Considering that electrolytic capacitors, generally used as bulk capacitor, have 20% of tolerance in value, the minimum nominal value required for  $C_{BULK}$  is:

$$C_{\text{BULK}n(\text{min})} > \frac{C_{\text{BULK}(\text{min})}}{(1 - \text{TOL}_{\text{CBULK}})} = 8.7 \mu\text{F} \quad (3)$$

Select C1 and C2 to be 4.7  $\mu\text{F}$  each ( $C_{\text{BULK}} = 4.7 \mu\text{F} + 4.7 \mu\text{F} = 9.4 \mu\text{F} > C_{\text{BULK}n(\text{min})}$ ).

By using a full-wave rectifier allows a smaller capacitor for C1 and C2, almost 50% smaller.

#### 8.2.1.2.3 Regulator Capacitor ( $C_{\text{VDD}}$ )

Capacitor  $C_{\text{VDD}}$  acts as the decoupling capacitor and storage capacitor for the internal regulator. A 100-nF, 10-V rated ceramic capacitor is enough for proper operation of the device's internal LDO.

#### 8.2.1.2.4 Freewheeling Diode (D1)

The freewheeling diode has to be rated for high-voltage with as short as possible reverse-recovery time ( $t_{rr}$ ).

The maximum reverse voltage that the diode should experience in the application, during normal operation, is given by Equation 4.

$$V_{D1(max)} = \sqrt{2} \times V_{IN(max)} = \sqrt{2} \times 265\text{V} = 375\text{V} \quad (4)$$

A margin of 20% is generally considered.

The use of a fast recovery diode is required for the buck-freewheeling rectifier. When designed in CCM, the diode reverse recovery time should be less than 35 ns to keep low reverse recovery current and the switching loss. For example, STTH1R06A provides 25-ns reverse recovery time. When designed in DCM, slower diode can be used, but the reverse recovery time should be kept less than 75 ns. MURS160 can fit the requirement.

#### 8.2.1.2.5 Output Capacitor (CL)

The value of the output capacitor impacts the output ripple. Depending on the combination of capacitor value and equivalent series resistor ( $R_{ESR}$ ). A larger capacitor value also has an impact on the start-up time. For a typical application, the capacitor value can start from 47  $\mu\text{F}$ , to hundreds of  $\mu\text{F}$ . A guide for sizing the capacitor value can be calculated by the following equations:

$$C_L > 4 \times \frac{I_{LIMIT} - I_{OUT}}{f_{SW(max)} \times \Delta V_{OUT}} = 4 \times \frac{260\text{mA} - 100\text{mA}}{350\text{mV} \times 66\text{kHz}} = 30\mu\text{F} \quad (5)$$

$$R_{ESR} < \frac{\Delta V_{OUT}}{I_{LIMIT}} = 1\Omega \quad (6)$$

Take into account that both  $C_L$  and  $R_{ESR}$  contribute to output voltage ripple. A first pass capacitance value can be selected and the contribution of  $C_L$  and  $R_{ESR}$  to the output voltage ripple can be evaluated. If the total ripple is too high the capacitance value has to increase or  $R_{ESR}$  value must be reduced. In the application example  $C_L$  was selected (47  $\mu\text{F}$ ) and it has an  $R_{ESR}$  of 0.3  $\Omega$ . So the  $R_{ESR}$  contributes for 1/3 of the total ripple. The formula that calculates  $C_L$  is based on the assumption that the converter operates in burst of four switching cycles. The number of bursts per cycle could be different, the formula for  $C_L$  is a first approximation.

#### 8.2.1.2.6 Load Resistor (RL)

The resistor should be chosen so that the output current in any standby/no-load condition is higher than the leakage current through the integrated power MOSFET. If the standby load current is ensured to always be larger than the specified  $I_{LEAKAGE}$ , the  $R_L$  is not needed. If OVP protection is required for safety reasons, then a zener could be placed across the output (not fitted in the application example). In the application example  $R_L = 402\text{ k}\Omega$ . This ensures a minimum load current of at least  $\sim 30\text{ }\mu\text{A}$  when  $V_{OUT} = 12\text{ V}$ .

**8.2.1.2.7 Inductor (L1)**

Initial calculations:

Half of the peak-to-peak ripple current at full load:

$$\Delta I_L = 2 \times (I_{LIMIT} - I_{OUT}) \quad (7)$$

When operating in DCM, the peak-to-peak current ripple is the peak current of the device.

Average MOSFET conduction minimum duty cycle at continuous conduction mode is:

$$D_{MIN} = \frac{V_{OUT} + V_d}{V_{IN(max)} - V_d} \quad (8)$$

If the converter operates in discontinuous conduction mode:

$$D_{MIN} = 2 \times \frac{I_{OUT}}{I_{LIMIT}} \frac{V_{OUT} + V_d}{V_{IN(max)} - V_d} \quad (9)$$

Maximum allowed switching frequency at  $V_{IN(max)}$  and full load:

$$F_{SW\_VIN(max)} = \frac{D_{MIN}}{t_{ON\_TO}} \quad (10)$$

Switching frequency has a maximum value limit of  $f_{SW(max)}$ .

The worst case  $I_{LIMIT} = 140$  mA, but assuming  $\Delta I_L = 100$  mA.

The converter works in continuous conduction mode ( $\Delta I_L < I_{LIMIT}$ ) so the

$$D_{MIN} = \frac{V_{OUT} + V_d}{V_{IN(max)} - V_d} = 3.61\% \quad (11)$$

The maximum allowed switching frequency is 61.7 kHz because the calculated value exceeds it.

$$F_{SW\_VIN(max)} = \frac{D_{MIN}}{t_{ON\_TO}} = 72\text{kHz} > f_{SW(max)} = 61.7\text{kHz} \quad (12)$$

The duty cycle does not force the MOSFET on time to go below  $t_{ON\_TO}$ . If  $D_{MIN}/T_{ON\_TO} < f_{SW(max)}$ , the switching frequency is reduced by current runaway protection and the maximum average switching frequency is lower than  $f_{SW(max)}$ , the converter can't support full load.

The minimum inductance value satisfies both the following conditions:

$$L1 > \frac{V_{OUT} + V_d}{\Delta I_L \times F_{SW\_VIN(max)}} = 2\text{mH} \quad (13)$$

$$L > \left[ \left( \frac{L_{MIN}}{V_{IN}} \right) \right] \Big|_{T_J=T_{J(max)}} \times V_{IN(max)} = 2.65 \frac{\mu\text{H}}{\text{V}} \times 375\text{V} \cong 1\text{mH} \quad (14)$$

In the application example, 2.2 mH is selected as the minimum standard value that satisfy [Equation 13](#) and [Equation 14](#). The value of [Equation 14](#) can be found by characterization graph of [Figure 10](#). Pick the value at the desired maximum junction temperature.

### 8.2.1.2.8 Feedback Path (Q1, R<sub>FB1</sub>, R<sub>FB2</sub>)

The feedback path of Q1, R<sub>FB1</sub> and R<sub>FB2</sub> implements a level-shifted direct feedback. R<sub>FB2</sub> sets the current through the feedback path, and R<sub>FB1</sub> sets the output voltage. Q1 acts as the level shifter and needs to be rated for high voltage. The output voltage is determined as follows:

$$V_{OUT} = V_{FB\_TH} \times \frac{R_{FB1}}{R_{FB2}} + V_{BE}$$

where

- V<sub>OUT</sub> is the output voltage.
- V<sub>FB\_TH</sub> is the FB pin voltage threshold = V<sub>FB\_TH</sub>.
- V<sub>BE</sub> is the base-emitter saturation voltage of the external PNP transistor.
- R<sub>FB1</sub> is the external resistor setting the output voltage (depending on the current set by R<sub>FB2</sub>, and the V<sub>be</sub>).
- R<sub>FB2</sub> is the external resistor setting the current through the external feedback path. (15)

For the application example a target of ~20-μA of current is selected through the external feedback path (I<sub>FB</sub>).

$$R_{FB2} = \frac{V_{FB\_TH}}{I_{FB}} = \frac{1.0\text{ V}}{\approx 20\mu\text{A}} = 50\text{ k}\Omega \quad (16)$$

Choose a standard resistor size for R<sub>FB2</sub> = 51 kΩ. For the high-voltage PNP transistor choose a 500-V rated transistor with a V<sub>BE</sub> ≈ 0.5 V for the feedback current. To achieve the 12-V output voltage R<sub>FB1</sub> needs to be:

$$R_{FB1} = \frac{V_{OUT} - V_{BE}}{V_{FB\_TH}} \times R_{FB2} = \frac{12\text{ V} - 0.5\text{ V}}{1\text{ V}} \times 51\text{ k}\Omega = 586\text{ k}\Omega \quad (17)$$

Choose a standard resistor size for R<sub>FB1</sub> = 591 kΩ.

To change the output voltage, change the value for R<sub>FB1</sub>. For example, to target a 5-V output voltage, R<sub>FB1</sub> should be changed to a 230-kΩ resistor.

Accuracy of the output-voltage level depends proportionally on the variation of V<sub>FB\_TH</sub>, and on the absolute accuracy of V<sub>BE</sub> according to [Equation 16](#) and [Equation 17](#).

The current through the feedback path is connected over the high voltage input (VIN), and this feedback current is always on. Higher current provides less noise-sensitive feedback, the feedback current should be minimized in order to minimize the total power consumption.

### 8.2.1.3 Application Curves

Figure 17 shows the efficiency diagram of the converter, a design previous discussed. Figure 18 shows the output voltage vs output current diagram. The two diagrams were obtained by measuring efficiency (Figure 17), output current and output voltage (Figure 18) moving resistive load value from infinite (load disconnected) up to zero (output shorted). The different curves of the diagram correspond to different AC input voltage.

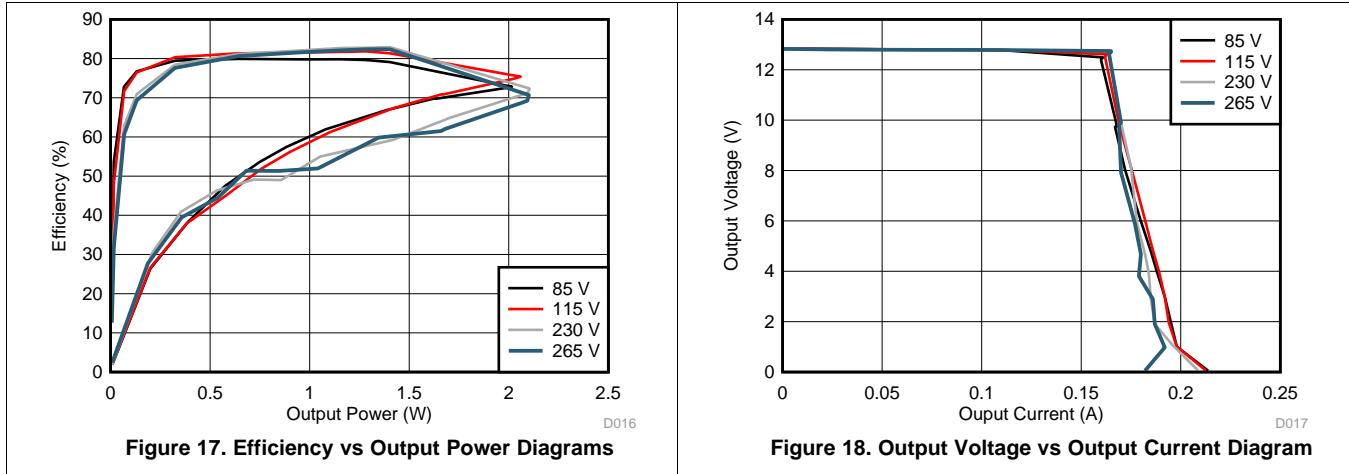


Table 3 shows converter efficiency. Table 4 shows the converter input power in no-load conditions and output shorted conditions. The no-load condition shows the converter stand-by performance.

**Table 3. Converter Efficiency**

| VIN_AC (V <sub>RMS</sub> ) | LOAD (mA) | EFFICIENCY (%) | AVERAGE EFFICIENCY (%) |
|----------------------------|-----------|----------------|------------------------|
| 115                        | 25        | 80.3           | 81.3                   |
|                            | 50        | 81.4           |                        |
|                            | 75        | 81.6           |                        |
|                            | 100       | 81.9           |                        |
| 230                        | 25        | 78.5           | 81.2                   |
|                            | 50        | 81.1           |                        |
|                            | 75        | 82.1           |                        |
|                            | 100       | 82.7           |                        |

**Table 4. No-Load and Output-Shorted Converter Input Power**

| V <sub>IN</sub> (V <sub>RMS</sub> ) | NO LOAD P <sub>IN</sub> (mW) | OUTPUT SHORTED P <sub>IN</sub> (mW) | OUTPUT SHORTED I <sub>OUT</sub> (mA) |
|-------------------------------------|------------------------------|-------------------------------------|--------------------------------------|
| 85                                  | 16                           | 453                                 | 214                                  |
| 115                                 | 19.5                         | 435                                 | 213                                  |
| 140                                 | 22.5                         | 417                                 | 211                                  |
| 170                                 | 26                           | 443                                 | 213                                  |
| 230                                 | 33                           | 430                                 | 209                                  |
| 265                                 | 37.5                         | 344                                 | 182                                  |



### 8.2.2 12-V, 100-mA, High-Side Buck Converter

Figure 19 shows a typical application example of a non-isolated power supply, where the UCC28880 is connected in a high-side buck configuration having an output voltage that is positive with respect to the negative high-voltage input (VIN-).

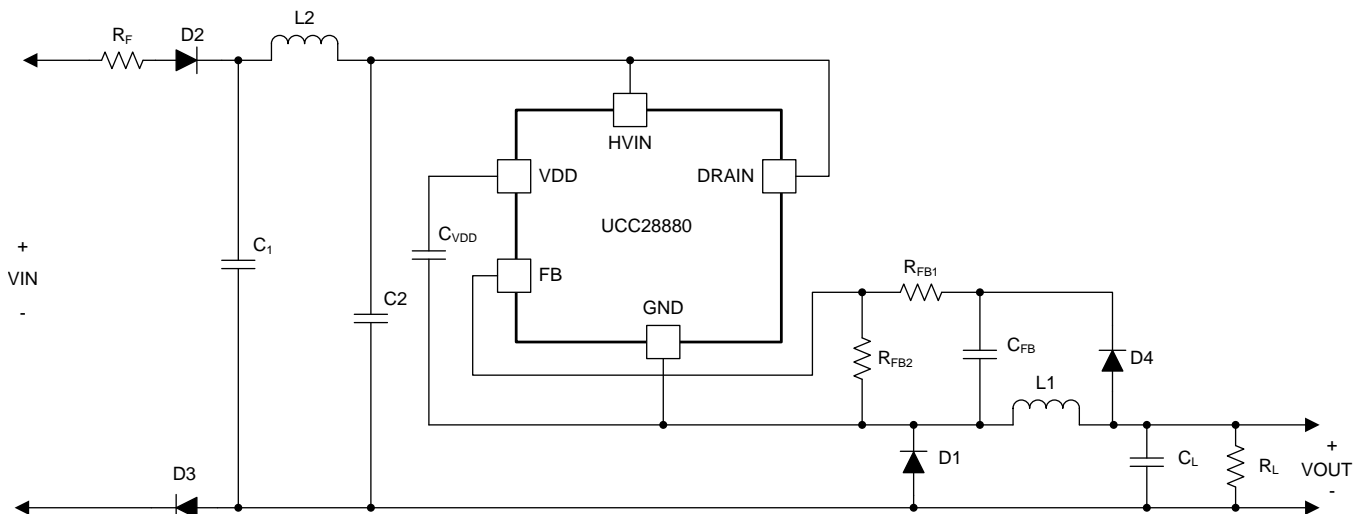


Figure 19. High-Side Buck Converter Schematic

#### 8.2.2.1 Design Requirements

Table 5. Design specification

| DESCRIPTION                |                       | MIN | MAX | UNIT             |
|----------------------------|-----------------------|-----|-----|------------------|
| <b>DESIGN INPUT</b>        |                       |     |     |                  |
| V <sub>IN</sub>            | AC input Voltage      | 85  | 265 | V <sub>RMS</sub> |
| f <sub>LINE</sub>          | Line frequency        | 47  | 63  | Hz               |
| I <sub>OUT</sub>           | Output current        | 0   | 100 | mA               |
| <b>DESIGN REQUIREMENTS</b> |                       |     |     |                  |
| P <sub>NL</sub>            | No-load input power   |     | 50  | mW               |
| V <sub>OUT</sub>           | Output voltage        | 12  | 14  | V                |
| ΔV <sub>OUT</sub>          | Output voltage ripple |     | 250 | mV               |
| η                          | Converter efficiency  | 68% |     |                  |

## 8.2.2.2 Detailed Design Procedure

### 8.2.2.2.1 Introduction

The low-side buck converter and high-side buck converter design procedures are very similar.

#### 8.2.2.2.2 Feedback Path ( $C_{FB}$ , $R_{FB1}$ and $R_{FB2}$ ) and Load Resistor ( $R_L$ )

In low-side buck converter the output voltage is always sensed by the FB pin and UCC28880 internal controller can turn on the MOSFET on VOUT. In high-side buck converter applications the information on the output voltage value is stored on  $C_{FB}$  capacitor. This information is not updated in real time. The information on  $C_{FB}$  capacitor is updated just after MOSFET turn-off event. When the MOSFET is turned off, the inductor current forces the freewheeling diode (D1 in [Figure 19](#)) to turn on and the GND pin of UCC28880 goes negative at  $-V_{d1}$  (where  $V_{d1}$  is the forward drop voltage of diode D1) with respect to the negative terminal of bulk capacitor (C1 in [Figure 19](#)). When D1 is on, through diode D4, the  $C_{FB}$  capacitor is charged at  $V_{OUT} - V_{d4} + V_{d1}$ . Set the output voltage regulation level using [Equation 18](#).

$$\frac{R_{FB1}}{R_{FB2}} = \frac{V_{OUT(T)} - V_{d4} + V_{d1} - V_{FB\_TH}}{V_{FB\_TH}} \cong \frac{V_{OUT(T)} - V_{FB\_TH}}{V_{FB\_TH}}$$

where

- $V_{FB\_TH}$  is the FB pin reference voltage.
- $V_{OUT\_T}$  is the target output voltage.
- $R_{FB1}$ ,  $R_{FB2}$  is the resistance of the resistor divider connected with FB pin (see [Figure 19](#))
- The capacitor  $C_{FB}$  after D1 is discharged with a time constant that is  $\tau_{fb} = C_{FB} \times (R_{FB1} + R_{FB2})$ .
- Select the time constant  $\tau_{FB}$ , given in [Equation 19](#)

(18)

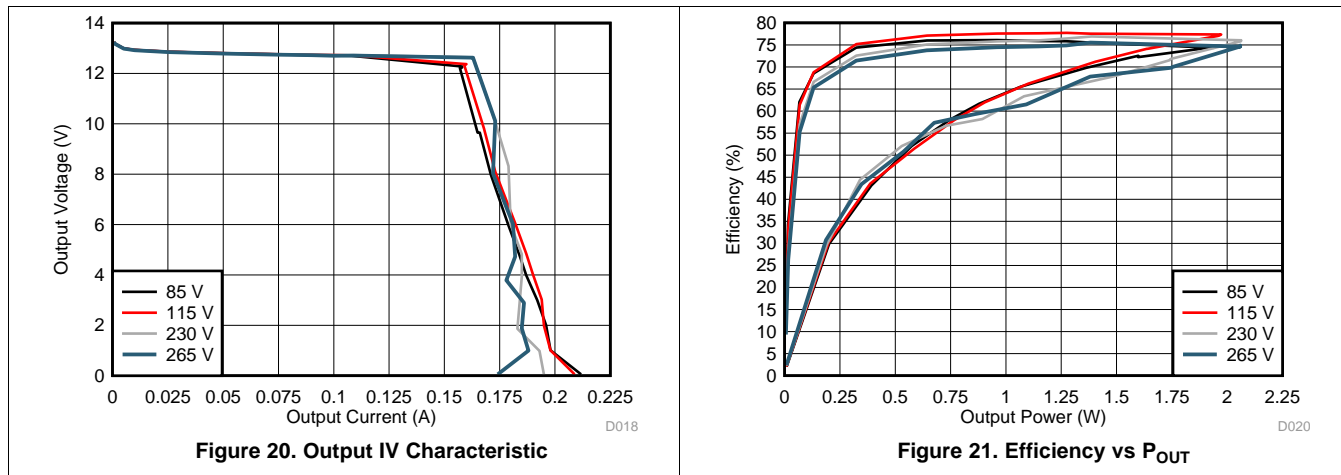
$$\tau_{FB} = C_{FB} \times (R_{FB1} + R_{FB2}) \cong \frac{1}{10} \times C_L \times R_L$$

(19)

The time constant selection leads to a slight output-voltage increase in no-load or light-load conditions. In order to reduce the output-voltage increase, increase  $\tau_{FB}$ . The drawback of increasing  $\tau_{FB}$  is that in high-load conditions  $V_{OUT}$  could drop.

**8.2.2.3 Application Curves**

Figure 20 shows the output voltage vs output current. Different plots correspond to different converter AC input voltages. Figure 21 shows efficiency changes vs output power. Different plots correspond to different converter AC input voltages.



**Table 6. Converter Efficiency**

| V <sub>IN_AC</sub> (V <sub>RMS</sub> ) | LOAD (mA) | EFFICIENCY (%) | AVERAGE EFFICIENCY (%) |
|--|-----------|----------------|------------------------|
| 115                                    | 25        | 75.2           | 76.8                   |
|  | 50        | 77.1           |                        |
|  | 75        | 77.6           |                        |
|  | 100       | 77.7           |                        |
| 230                                    | 25        | 72.6           | 74.8                   |
|  | 50        | 75.1           |                        |
|  | 75        | 75.7           |                        |
|  | 100       | 76.3           |                        |

**Table 7. No-Load and Output Shorted Converter Input Power**

| V <sub>IN</sub> (V <sub>RMS</sub> ) | NO LOAD P <sub>IN</sub> (mW) | OUTPUT SHORTED P <sub>IN</sub> (mW) | OUTPUT SHORTED I <sub>OUT</sub> (mA) |
|-------------------------------------|------------------------------|-------------------------------------|--------------------------------------|
| 85                                  | 31                           | 415                                 | 212                                  |
| 115                                 | 34                           | 399                                 | 209                                  |
| 140                                 | 36                           | 414                                 | 211                                  |
| 170                                 | 38                           | 401                                 | 208                                  |
| 230                                 | 44                           | 394                                 | 195                                  |
| 265                                 | 47                           | 333                                 | 174                                  |

## 8.2.3 Additional UCC28880 Application Topologies

### 8.2.3.1 Low-Side Buck and LED Driver – Direct Feedback (Level Shifted)

Features include:

- Output Referenced to Input
- Negative Output ( $V_{OUT}$ ) with Respect to  $V_{IN+}$
- Step Down:  $V_{OUT} < V_{IN}$
- Direct Level-Shifted Feedback

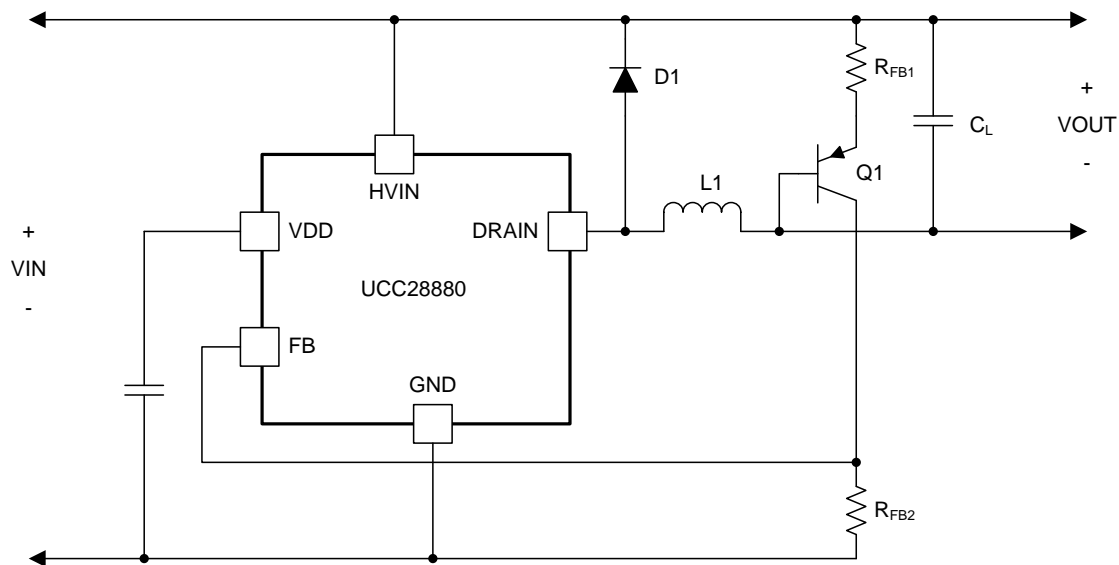


Figure 22. Low-Side Buck, Direct Feedback (Level Shifted)

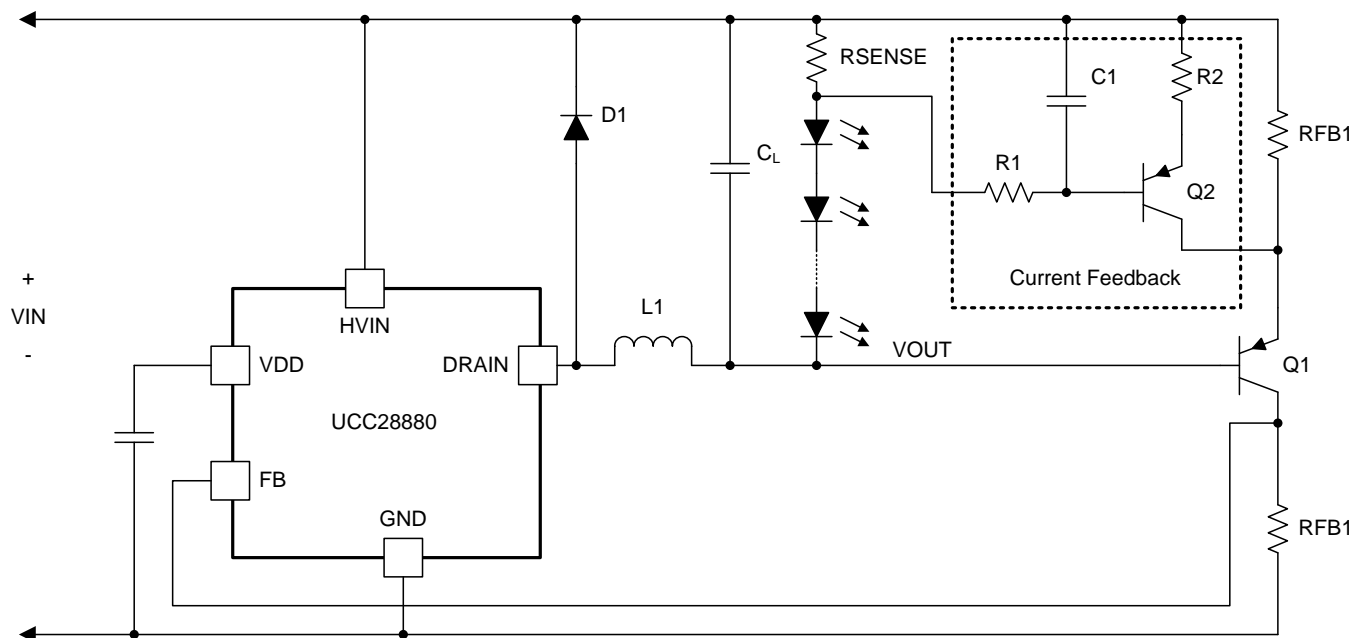


Figure 23. Low-Side Buck LED Driver, Direct Feedback (Level Shifted) image.

### 8.2.3.2 12-V, 100-mA High-Side Buck Converter

Features include:

- Output Referenced to Input
- Positive Output ( $V$ ) with Respect to  $V_{IN-}$
- Step Down ( $V_{OUT} < V_{IN}$ )

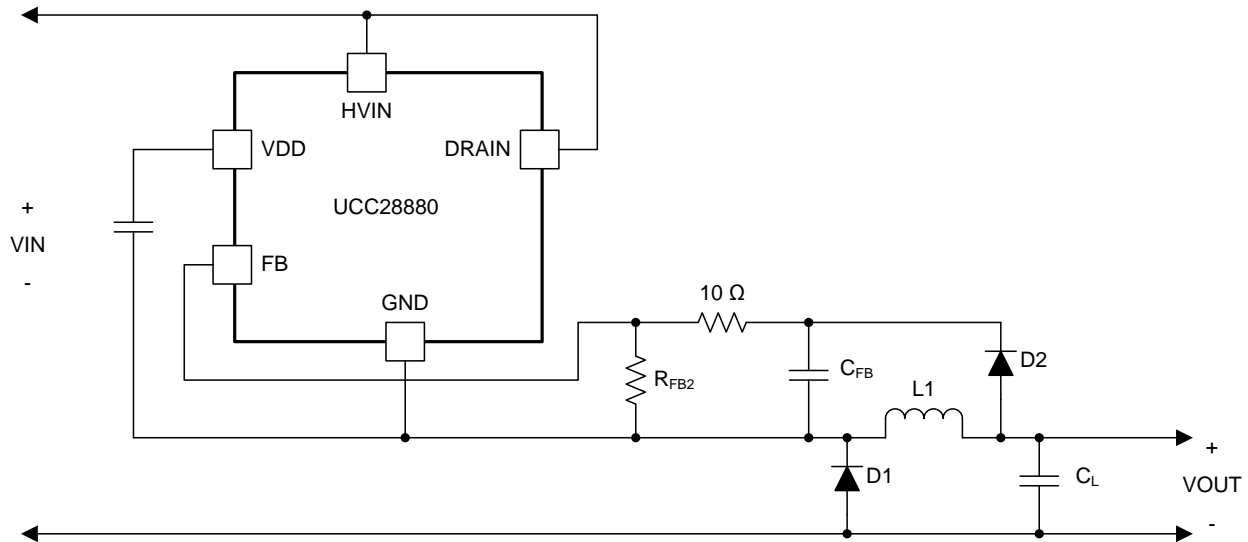


Figure 24. High-Side Buck Converter Schematic

### 8.2.3.3 Non-Isolated, Low-Side Buck-Boost Converter

Features Include:

- Output Referenced to Input
- Positive Output ( $V_{OUT}$ ) with Respect to  $V_{IN+}$
- Step Up, Step Down:  $V_{OUT} \neq V_{IN}$
- Direct Level-Shifted Feedback

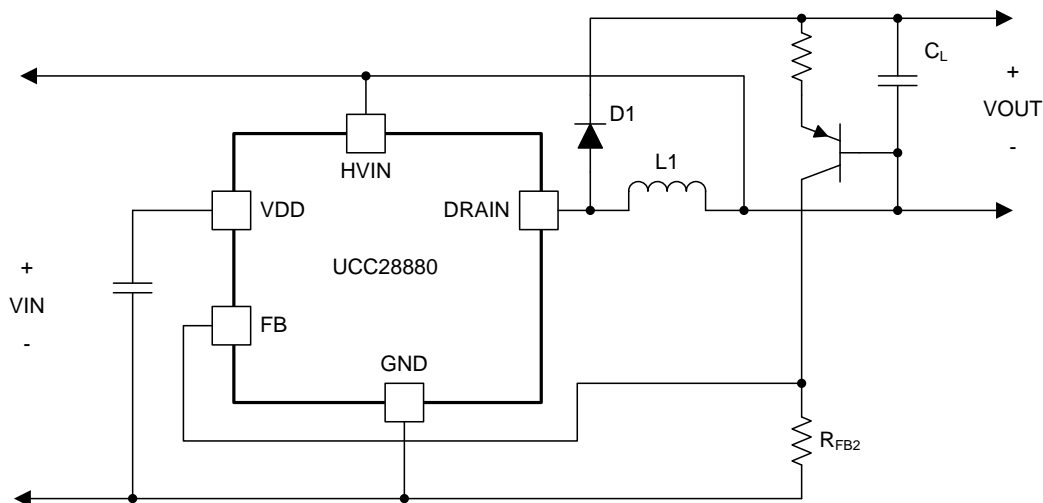
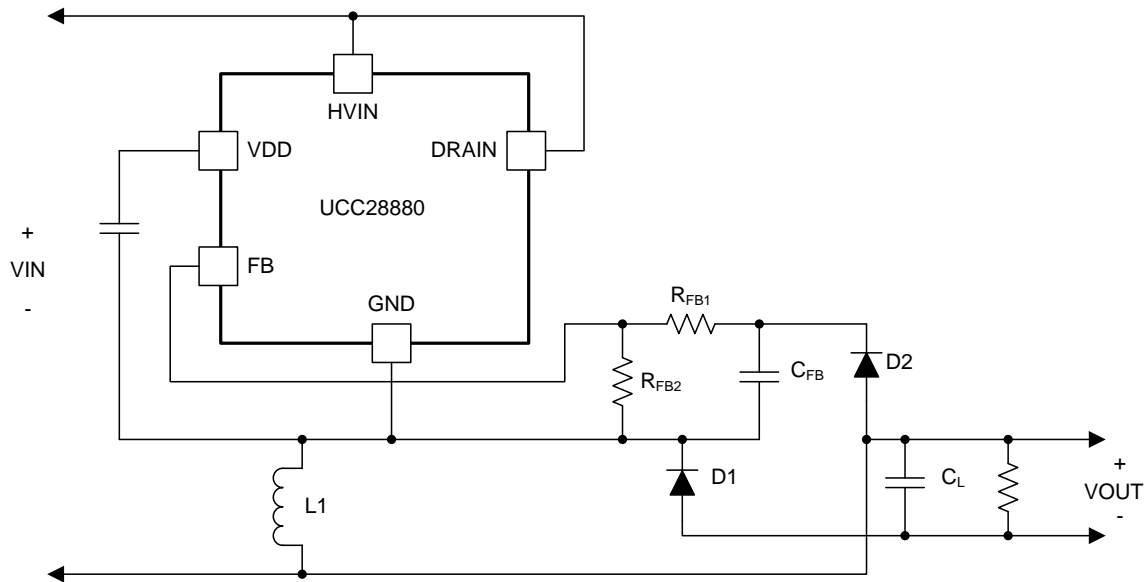


Figure 25. Low-Side Buck-Boost Converter

### 8.2.3.4 Non-Isolated, High-Side Buck-Boost Converter

Features include:

- Output Referenced to Input
- Positive Output ( $V_{OUT}$ ) with Respect to  $V_{IN-}$
- Step Up, Step Down:  $V_{OUT} \neq V_{IN}$

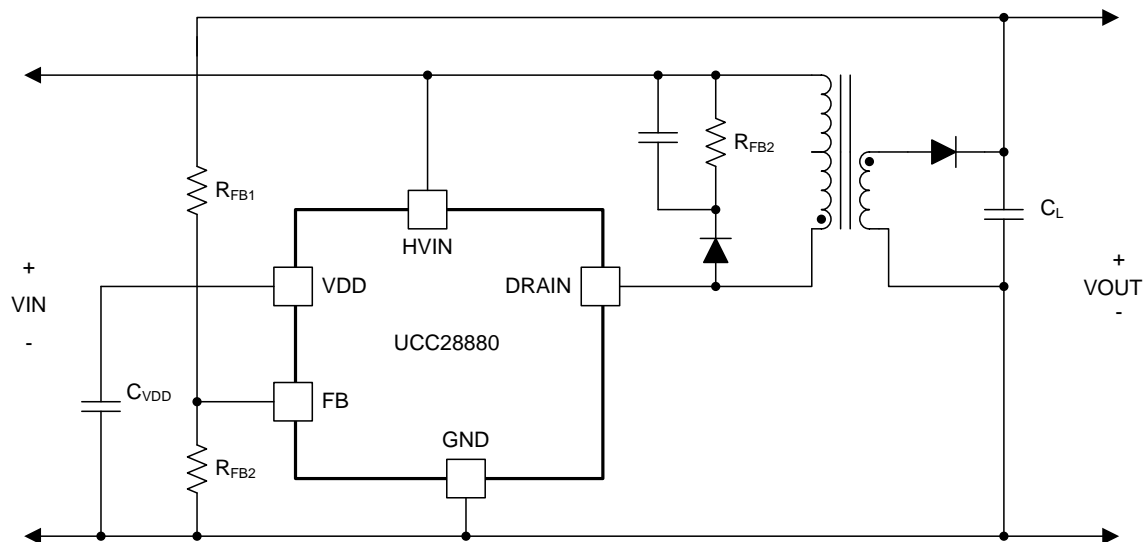


**Figure 26. High-Side Buck-Boost Converter**

### 8.2.3.5 Non-Isolated Flyback Converter

Features include:

- Output Referenced to Input
- Positive Output ( $V_{OUT}$ ) with Respect to  $V_{IN-}$
- Direct Feedback



**Figure 27. Non-Isolated Flyback Configuration**

### 8.2.3.6 Isolated Flyback Converter

Features include:

- Output Isolated from Input
- Direct Feedback

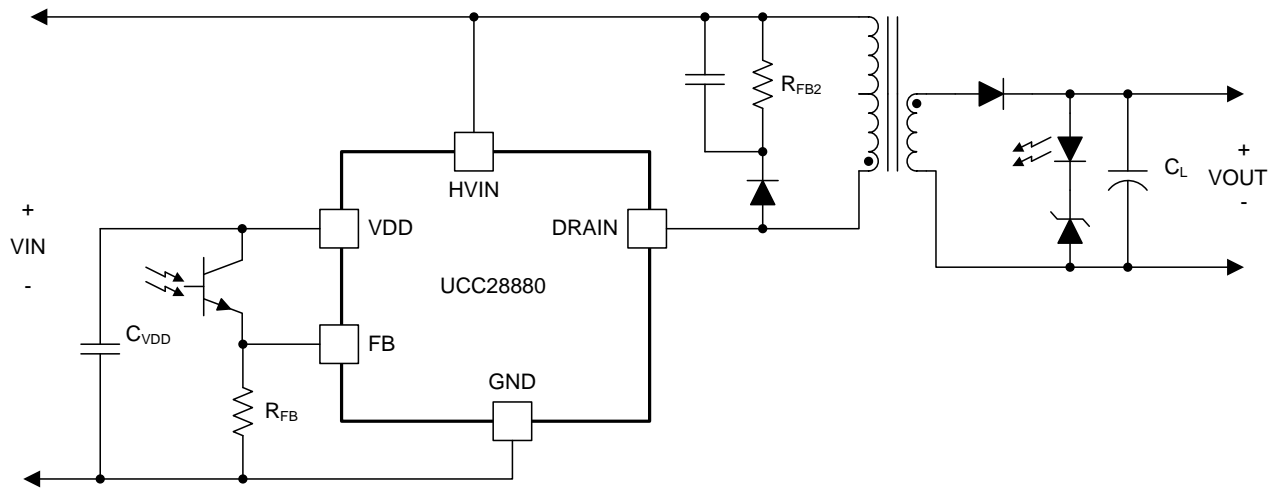


Figure 28. Isolated Flyback Converter

## 9 Power Supply Recommendations

The VDD capacitor recommended value is 100 nF to ensure high-phase margin of the internal 5-V regulator and it should be placed close to VDD pin and GND pins to minimize the series resistance and inductance.

The VDD pin provides a regulated 5-V output but it is not intended as a supply for external load. Do not supply VDD pin with external voltage source (for example the auxiliary winding of flyback converter).

Always keep GND pin 1 and GND pin 2 connected together with the shortest possible connection.

## 10 Layout

### 10.1 Layout Guidelines

- In both buck and buck-boost low-side configurations, the copper area of the switching node DRAIN should be minimized to reduce EMI.
- Similarly, the copper area of the FB pin should be minimized to reduce coupling to feedback path. Loop  $C_L$ ,  $Q_1$ ,  $R_{FB1}$  should be minimized to reduce coupling to feedback path.
- In high-side buck and buck boost the GND, VDD and FB pins are all part of the switching node so the copper area connected with these pins should be optimized. Large copper area allows better thermal management, but it causes more common mode EMI noise. Use the minimum copper area that is required to handle the thermal dissipation.
- Minimum distance between 700-V coated traces is 1.41 mm (60 mils).

### 10.2 Layout Example

Figure 29 shows an example PCB layout for UCC28880 in low-side buck configuration.

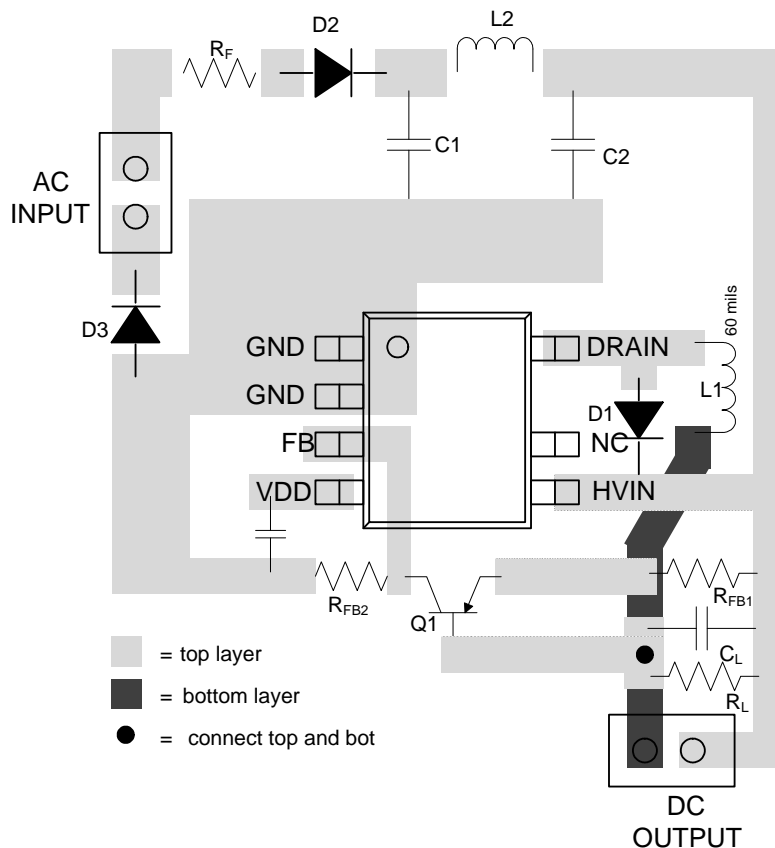


Figure 29. UCC28880 Layout Example



## 11 Device and Documentation Support

### 11.1 Custom Design with WEBENCH Tools

[Click here](#) to create a custom design using the UCC28880 device with the WEBENCH® Power Designer.

1. Start by entering your  $V_{IN}$ ,  $V_{OUT}$  and  $I_{OUT}$  requirements.
2. Optimize your design for key parameters like efficiency, footprint and cost using the optimizer dial and compare this design with other possible solutions from Texas Instruments.
3. WEBENCH Power Designer provides you with a customized schematic along with a list of materials with real time pricing and component availability.
4. In most cases, you will also be able to:
  - Run electrical simulations to see important waveforms and circuit performance,
  - Run thermal simulations to understand the thermal performance of your board,
  - Export your customized schematic and layout into popular CAD formats,
  - Print PDF reports for the design, and share your design with colleagues.
5. Get more information about WEBENCH tools at [www.ti.com/webench](http://www.ti.com/webench).

### 11.2 Receiving Notification of Documentation Updates

To receive notification of documentation updates, navigate to the device product folder on ti.com. In the upper right corner, click on *Alert me* to register and receive a weekly digest of any product information that has changed. For change details, review the revision history included in any revised document.

### 11.3 Trademarks

WEBENCH is a registered trademark of Texas Instruments.  
All other trademarks are the property of their respective owners.

### 11.4 Electrostatic Discharge Caution



These devices have limited built-in ESD protection. The leads should be shorted together or the device placed in conductive foam during storage or handling to prevent electrostatic damage to the MOS gates.

### 11.5 Glossary

[SLYZ022](#) — *TI Glossary*.

This glossary lists and explains terms, acronyms, and definitions.

## 12 Mechanical, Packaging, and Orderable Information

The following pages include mechanical, packaging, and orderable information. This information is the most current data available for the designated devices. This data is subject to change without notice and revision of this document. For browser-based versions of this data sheet, refer to the left-hand navigation.

**PACKAGING INFORMATION**

| Orderable Device | Status<br>(1) | Package Type | Package Drawing | Pins | Package Qty | Eco Plan<br>(2)         | Lead/Ball Finish<br>(6) | MSL Peak Temp<br>(3) | Op Temp (°C) | Device Marking<br>(4/5) | Samples                 |
|------------------|---------------|--------------|-----------------|------|-------------|-------------------------|-------------------------|----------------------|--------------|-------------------------|-------------------------|
| UCC28880D        | ACTIVE        | SOIC         | D               | 7    | 75          | Green (RoHS & no Sb/Br) | NIPDAU                  | Level-2-260C-1 YEAR  | -40 to 125   | U28880                  | <a href="#">Samples</a> |
| UCC28880DR       | ACTIVE        | SOIC         | D               | 7    | 2500        | Green (RoHS & no Sb/Br) | NIPDAU                  | Level-2-260C-1 YEAR  | -40 to 125   | U28880                  | <a href="#">Samples</a> |

(1) The marketing status values are defined as follows:

**ACTIVE:** Product device recommended for new designs.

**LIFEBUY:** TI has announced that the device will be discontinued, and a lifetime-buy period is in effect.

**NRND:** Not recommended for new designs. Device is in production to support existing customers, but TI does not recommend using this part in a new design.

**PREVIEW:** Device has been announced but is not in production. Samples may or may not be available.

**OBsolete:** TI has discontinued the production of the device.

(2) **RoHS:** TI defines "RoHS" to mean semiconductor products that are compliant with the current EU RoHS requirements for all 10 RoHS substances, including the requirement that RoHS substance do not exceed 0.1% by weight in homogeneous materials. Where designed to be soldered at high temperatures, "RoHS" products are suitable for use in specified lead-free processes. TI may reference these types of products as "Pb-Free".

**RoHS Exempt:** TI defines "RoHS Exempt" to mean products that contain lead but are compliant with EU RoHS pursuant to a specific EU RoHS exemption.

**Green:** TI defines "Green" to mean the content of Chlorine (Cl) and Bromine (Br) based flame retardants meet JS709B low halogen requirements of <=1000ppm threshold. Antimony trioxide based flame retardants must also meet the <=1000ppm threshold requirement.

(3) MSL, Peak Temp. - The Moisture Sensitivity Level rating according to the JEDEC industry standard classifications, and peak solder temperature.

(4) There may be additional marking, which relates to the logo, the lot trace code information, or the environmental category on the device.

(5) Multiple Device Markings will be inside parentheses. Only one Device Marking contained in parentheses and separated by a "-" will appear on a device. If a line is indented then it is a continuation of the previous line and the two combined represent the entire Device Marking for that device.

(6) Lead/Ball Finish - Orderable Devices may have multiple material finish options. Finish options are separated by a vertical ruled line. Lead/Ball Finish values may wrap to two lines if the finish value exceeds the maximum column width.

**Important Information and Disclaimer:**The information provided on this page represents TI's knowledge and belief as of the date that it is provided. TI bases its knowledge and belief on information provided by third parties, and makes no representation or warranty as to the accuracy of such information. Efforts are underway to better integrate information from third parties. TI has taken and continues to take reasonable steps to provide representative and accurate information but may not have conducted destructive testing or chemical analysis on incoming materials and chemicals. TI and TI suppliers consider certain information to be proprietary, and thus CAS numbers and other limited information may not be available for release.

In no event shall TI's liability arising out of such information exceed the total purchase price of the TI part(s) at issue in this document sold by TI to Customer on an annual basis.



## TAPE AND REEL INFORMATION



### QUADRANT ASSIGNMENTS FOR PIN 1 ORIENTATION IN TAPE



\*All dimensions are nominal

| Device     | Package Type | Package Drawing | Pins | SPQ  | Reel Diameter (mm) | Reel Width W1 (mm) | A0 (mm) | B0 (mm) | K0 (mm) | P1 (mm) | W (mm) | Pin1 Quadrant |
|------------|--------------|-----------------|------|------|--------------------|--------------------|---------|---------|---------|---------|--------|---------------|
| UCC28880DR | SOIC         | D               | 7    | 2500 | 330.0              | 12.4               | 6.4     | 5.2     | 2.1     | 8.0     | 12.0   | Q1            |

TAPE AND REEL BOX DIMENSIONS



\*All dimensions are nominal

| Device     | Package Type | Package Drawing | Pins | SPQ  | Length (mm) | Width (mm) | Height (mm) |
|------------|--------------|-----------------|------|------|-------------|------------|-------------|
| UCC28880DR | SOIC         | D               | 7    | 2500 | 367.0       | 367.0      | 35.0        |

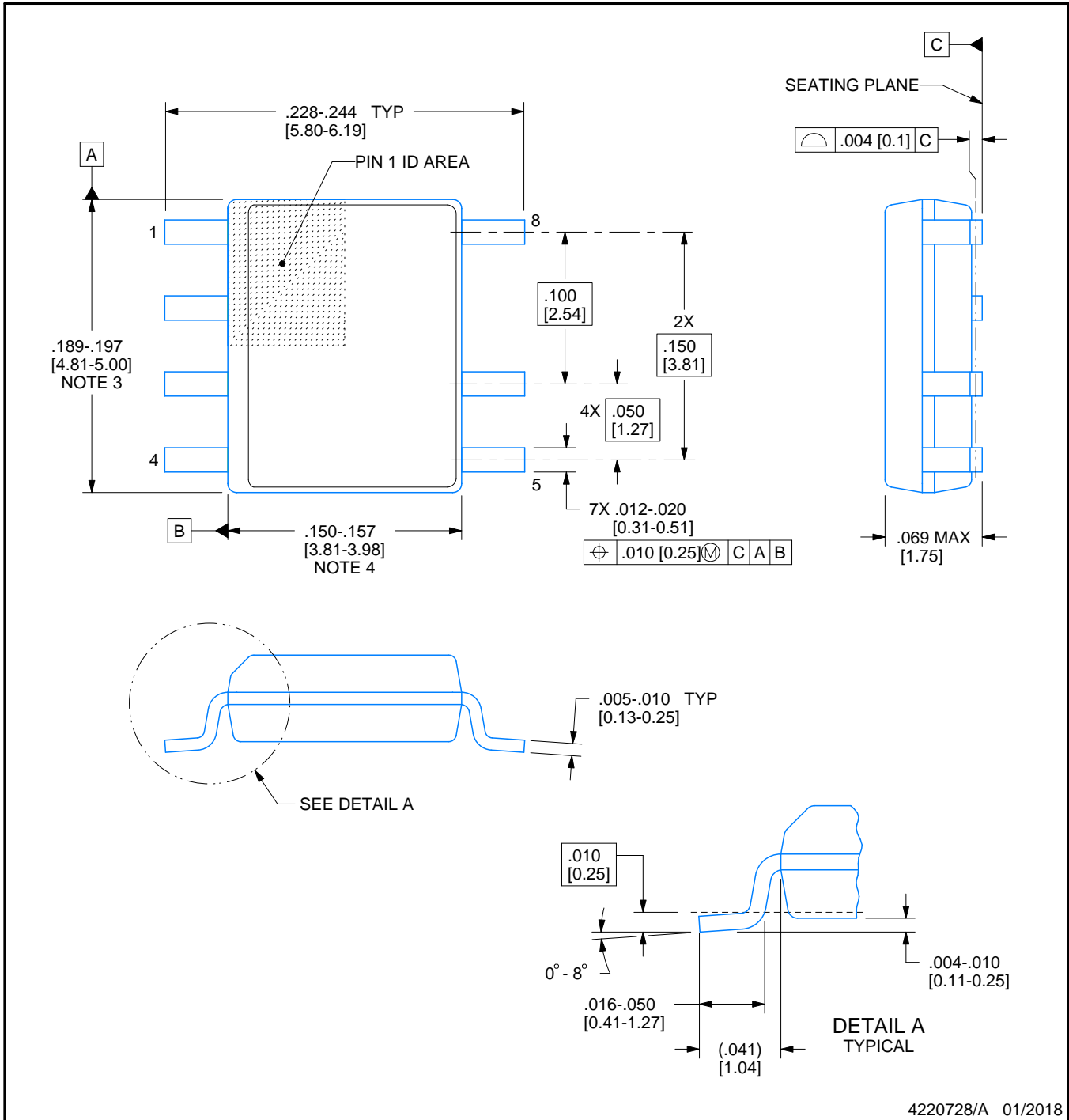


D0007A

# PACKAGE OUTLINE

SOIC - 1.75 mm max height

SMALL OUTLINE INTEGRATED CIRCUIT



4220728/A 01/2018

**NOTES:**

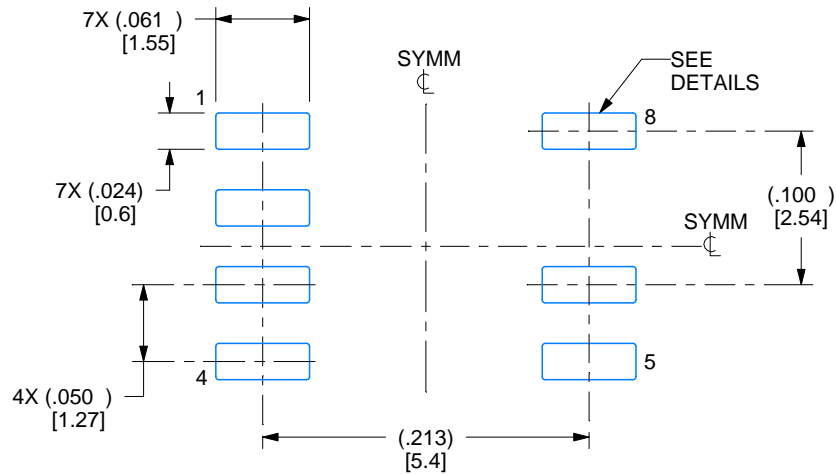
1. Linear dimensions are in inches [millimeters]. Dimensions in parenthesis are for reference only. Controlling dimensions are in inches. Dimensioning and tolerancing per ASME Y14.5M.
2. This drawing is subject to change without notice.
3. This dimension does not include mold flash, protrusions, or gate burrs. Mold flash, protrusions, or gate burrs shall not exceed  $.006$  [0.15] per side.
4. This dimension does not include interlead flash.
5. Reference JEDEC registration MS-012, variation AA.

# EXAMPLE BOARD LAYOUT

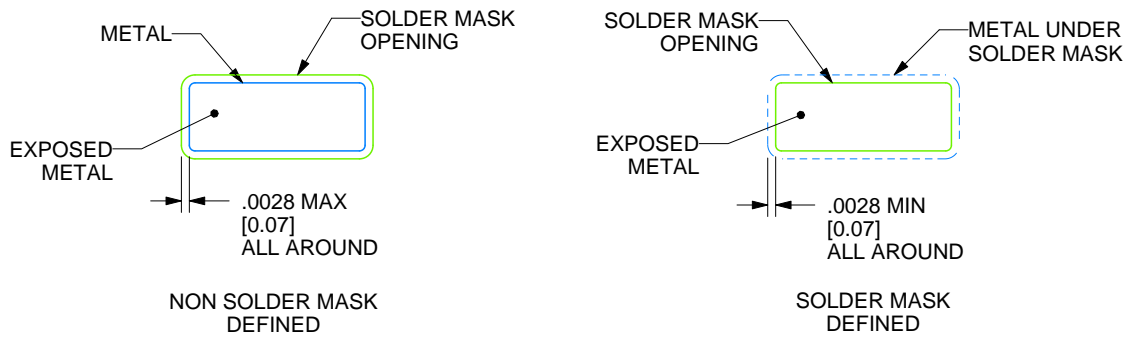
D0007A

SOIC - 1.75 mm max height

SMALL OUTLINE INTEGRATED CIRCUIT



LAND PATTERN EXAMPLE  
EXPOSED METAL SHOWN  
SCALE:8X



SOLDER MASK DETAILS

4220728/A 01/2018

NOTES: (continued)

6. Publication IPC-7351 may have alternate designs.

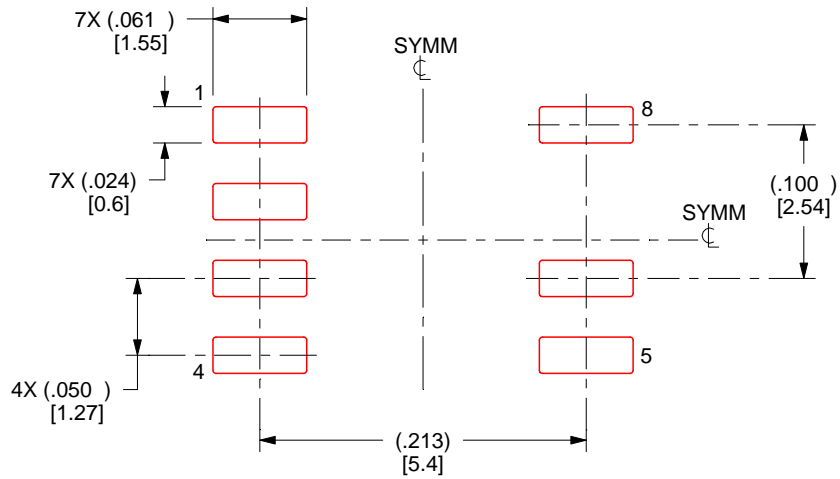
7. Solder mask tolerances between and around signal pads can vary based on board fabrication site.

# EXAMPLE STENCIL DESIGN

D0007A

SOIC - 1.75 mm max height

SMALL OUTLINE INTEGRATED CIRCUIT



SOLDER PASTE EXAMPLE  
BASED ON .005 INCH [0.125 MM] THICK STENCIL  
SCALE:8X

4220728/A 01/2018

NOTES: (continued)

8. Laser cutting apertures with trapezoidal walls and rounded corners may offer better paste release. IPC-7525 may have alternate design recommendations.
9. Board assembly site may have different recommendations for stencil design.



## IMPORTANT NOTICE AND DISCLAIMER

TI PROVIDES TECHNICAL AND RELIABILITY DATA (INCLUDING DATASHEETS), DESIGN RESOURCES (INCLUDING REFERENCE DESIGNS), APPLICATION OR OTHER DESIGN ADVICE, WEB TOOLS, SAFETY INFORMATION, AND OTHER RESOURCES "AS IS" AND WITH ALL FAULTS, AND DISCLAIMS ALL WARRANTIES, EXPRESS AND IMPLIED, INCLUDING WITHOUT LIMITATION ANY IMPLIED WARRANTIES OF MERCHANTABILITY, FITNESS FOR A PARTICULAR PURPOSE OR NON-INFRINGEMENT OF THIRD PARTY INTELLECTUAL PROPERTY RIGHTS.

These resources are intended for skilled developers designing with TI products. You are solely responsible for (1) selecting the appropriate TI products for your application, (2) designing, validating and testing your application, and (3) ensuring your application meets applicable standards, and any other safety, security, or other requirements. These resources are subject to change without notice. TI grants you permission to use these resources only for development of an application that uses the TI products described in the resource. Other reproduction and display of these resources is prohibited. No license is granted to any other TI intellectual property right or to any third party intellectual property right. TI disclaims responsibility for, and you will fully indemnify TI and its representatives against, any claims, damages, costs, losses, and liabilities arising out of your use of these resources.

TI's products are provided subject to TI's Terms of Sale ([www.ti.com/legal/termsofsale.html](http://www.ti.com/legal/termsofsale.html)) or other applicable terms available either on [ti.com](http://ti.com) or provided in conjunction with such TI products. TI's provision of these resources does not expand or otherwise alter TI's applicable warranties or warranty disclaimers for TI products.

Mailing Address: Texas Instruments, Post Office Box 655303, Dallas, Texas 75265  
Copyright © 2020, Texas Instruments Incorporated