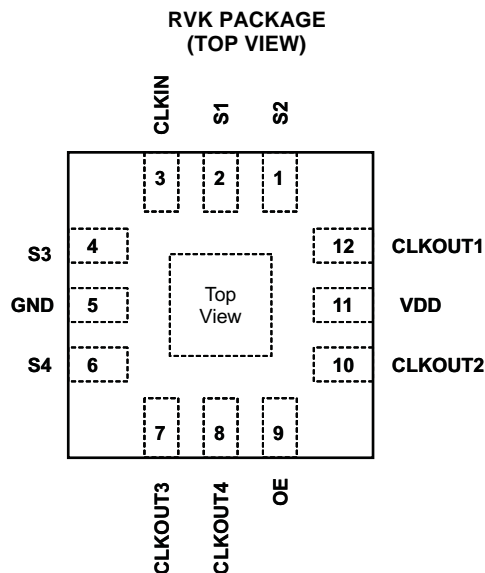


1 to 4 Configurable Clock Buffer for 3D Displays

Check for Samples: [CDC1104](#)

FEATURES

- Input Reference Clock 120Hz–240Hz
- Output Clock (Fin/2) 60Hz–120Hz
- Output Buffer Drive Strength: 8mA
- 4 Clock Outputs
- 4 Control Pins Select Phases of Clock Outputs
- Supply Voltage: 3.8V–5.5V
- Operating Temperature Range: –40°C to 85°C
- ESD Protection Exceeds JESD 22
 - 2000-V Human-Body Model (A114-B)
 - 500-V Charged-Device Model (C101)
- Package Offerings
 - 12-pin QFN (3mm x 3mm)



DESCRIPTION

The CDC1104 is a 1 to 4 configurable clock buffer. The device accepts an input reference clock and creates 4 buffered output clocks with an output frequency equal to one half the input clock frequency. Four control inputs, S1, S2, S3, S4 configurable phases of the clock outputs.

ORDERING INFORMATION⁽¹⁾

T _A	PACKAGE ⁽²⁾	ORDERABLE PART NUMBER	TOP-SIDE MARKING
–40°C to 85°C	RVK Tape and reel	CDC1104RVKR	ZT

- (1) For the most current package and ordering information, see the Package Option Addendum at the end of this document, or see the TI web site at www.ti.com.
- (2) Package drawings, thermal data, and symbolization are available at www.ti.com/packaging.



Please be aware that an important notice concerning availability, standard warranty, and use in critical applications of Texas Instruments semiconductor products and disclaimers thereto appears at the end of this data sheet.



These devices have limited built-in ESD protection. The leads should be shorted together or the device placed in conductive foam during storage or handling to prevent electrostatic damage to the MOS gates.

PIN FUNCTIONS

NO.	NAME	TYPE ⁽¹⁾	DESCRIPTION
1	S2	I	Output clock select. Refer to Output Clock Selection Table
2	S1	I	Output clock select. Refer to Output Clock Selection Table
3	CLKIN	I	Clock Input
4	S3	I	Output clock select. Refer to Output Clock Selection Table
5	GND	P	Ground
6	S4	I	Not internally connected
7	CLKOUT3	O	Buffered CLK Output. Refer to Output Clock Selection Table
8	CLKOUT4	O	Buffered CLK Output. Refer to Output Clock Selection Table
9	OE	I	Chip Enable
10	CLKOUT2	O	Buffered CLK Output. Refer to Output Clock Selection Table
11	VDD	P	Inverted output. No counter delay
12	CLKOUT1	O	Buffered CLK Output. Refer to Output Clock Selection Table

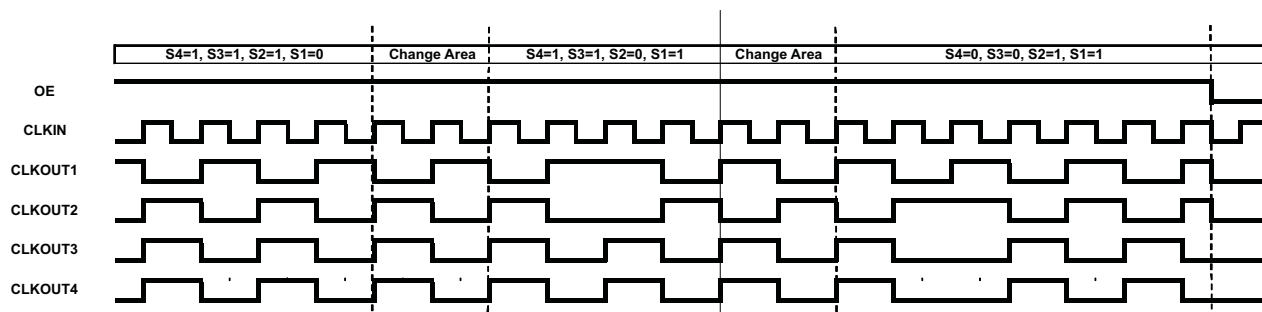
(1) G = Ground, I = Input, O = Output, P = Power

TRUTH TABLE

INPUTS						OUTPUTS			
OE	CLKIN	S4	S3	S2	S1	CLKOUT4	CLKOUT3	CLKOUT2	CLKOUT1
0	CLK	X	X	X	X	L	L	L	L
1	CLK	0	0	0	0	L	L	L	L
1	CLK	0	0	0	1	CLK\	CLK\	CLK\	CLK
1	CLK	0	0	1	0	CLK\	CLK\	CLK	CLK\
1	CLK	0	0	1	1	CLK\	CLK\	CLK	CLK
1	CLK	0	1	0	0	CLK\	CLK	CLK\	CLK\
1	CLK	0	1	0	1	CLK\	CLK	CLK\	CLK
1	CLK	0	1	1	0	CLK\	CLK	CLK	CLK\
1	CLK	0	1	1	1	CLK\	CLK	CLK	CLK
1	CLK	1	0	0	0	CLK	CLK\	CLK\	CLK\
1	CLK	1	0	0	1	CLK	CLK\	CLK\	CLK
1	CLK	1	0	1	0	CLK	CLK\	CLK	CLK\
1	CLK	1	0	1	1	CLK	CLK\	CLK	CLK
1	CLK	1	1	0	0	CLK	CLK	CLK\	CLK\
1	CLK	1	1	0	1	CLK	CLK	CLK\	CLK
1	CLK	1	1	1	0	CLK	CLK	CLK	CLK\
1	CLK	1	1	1	1	CLK	CLK	CLK	CLK

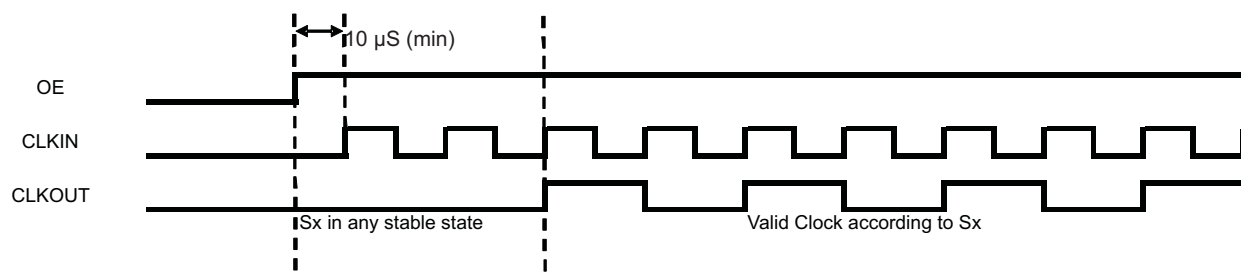
Timing Diagram For Glitch Free Operation

Transition of outputs from any state to any other state



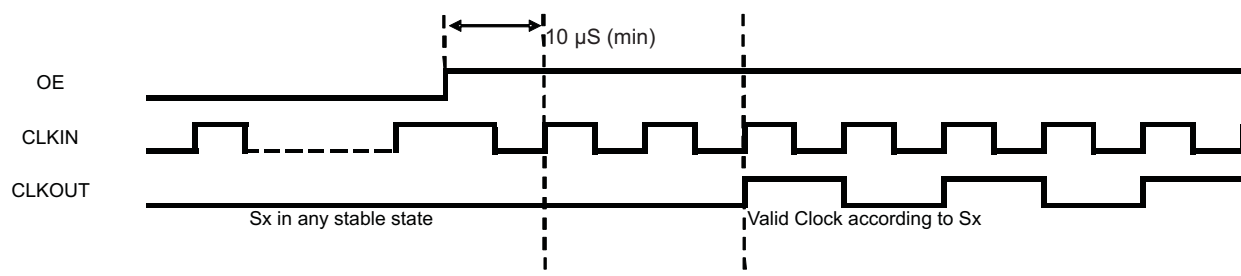
NOTE: Transition to new state will happen after a latency of one output clock cycle after completing the present output clock cycle. Transition to new state will happen after a latency of up to 3 input clock cycles excluding the input cycle where the transition has occurred.

Power Up



NOTE: Transition to new state will happen after a latency of 2 input clock cycles excluding the input cycle where the transition has occurred.

OE Operation



NOTE: Transition to new state will happen after a latency of 2 input clock cycles excluding the input cycle where the transition has occurred.

ABSOLUTE MAXIMUM RATINGS⁽¹⁾

over operating free-air temperature range (unless otherwise noted)

		MIN	MAX	UNIT
V_{CC}	Supply voltage range	-0.3	6	V
V_I	Input voltage range ⁽²⁾	-0.3	6	V
V_O	Output voltage range in the high or low state ⁽²⁾	-0.3	6	V
I_{IK}	Input clamp current	$V_I < 0$		±20 mA
I_{OK}	Output clamp current	$V_O < 0$		±20 mA
I_{OL}	Continuous output Low current	$V_O = 0$ to V_{CC}		±20 mA
I_{OH}	Continuous output High current	$V_O = 0$ to V_{CC}		±20 mA
T_{stg}	Storage temperature range	-65	150	°C

- (1) Stresses beyond those listed under Absolute Maximum Ratings may cause permanent damage to the device. These are stress ratings only, and functional operation of the device at these or any other conditions beyond those indicated under Recommended Operating Conditions is not implied. Exposure to absolute-maximum-rated conditions for extended periods may affect device reliability.
- (2) The input negative-voltage and output voltage ratings may be exceeded if the input and output current ratings are observed.

THERMAL CHARACTERISTICS

over operating free-air temperature range (unless otherwise noted)

		VALUE	UNIT
θ_{JA}	Package thermal impedance ⁽¹⁾ RVK Package	72.2	°C/W

- (1) The package thermal impedance is calculated in accordance with JESD 51-7.

RECOMMENDED OPERATING CONDITIONS

over operating free-air temperature range (unless otherwise noted)

		MIN	MAX	UNIT
V_{CC}	Supply voltage range	3.8	5.5	V
V_{IH}	High-Level Input Voltage	1.6	5.5	V
V_{IL}	Low-Level Input Voltage	0	0.8	V
I_{IH}	High-level input current		1	µA
I_{IL}	Low-level input current		1	µA
V_I		0	5.5	V
V_O		0	V_{CC}	V
I_{OH}	High-level output current		-8	mA
I_{OL}	Low-level output current		8	mA
T_A	Operating free-air temperature	-40	85	°C

ELECTRICAL CHARACTERISTICS

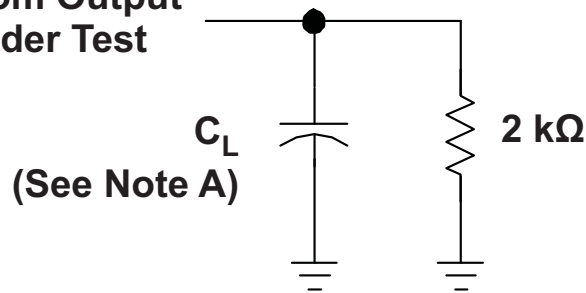
over operating free-air temperature range (unless otherwise noted)

PARAMETER	TEST CONDITIONS	V _{CC}	T _A = –40°C to 85°C			UNIT
			MIN	TYP	MAX	
V _{OH}	I _{OH} = –8 mA	3.8 V	V _{CC} -0.6			V
		5 V	V _{CC} -0.4			V
V _{OL}	I _{OL} = 8 mA	3.8 V	0.40			V
		5 V	0.40			V
I _i (CLKIN, OE, Sx)	V _i = GND to 4 V	5.5 V	1			μA
I _{CC} (Disabled)	V _{IO} = 0 V or 5.5V, OE = Low	3.8 V to 5.5 V	0.5	2		μA
I _{DD_} (Dynamic)	OE = 5.5 V; Sx = 0 V, 5.5 V; CLKIN = 0 V, 5.5 V	5.5 V	20	50		μA
	OE = 3.0 V; Sx = 0 V, 3.0 V; CLKIN = 0 V, 3.0 V	5.5 V	20	50		μA
	OE = 1.6 V; Sx = 0 V, 1.6 V; CLKIN = 0 V, 1.6 V	5.5 V	20	50		μA
C _i (CLKIN, OE, Sx)	V _i = V _{CC} or GND		7			pF

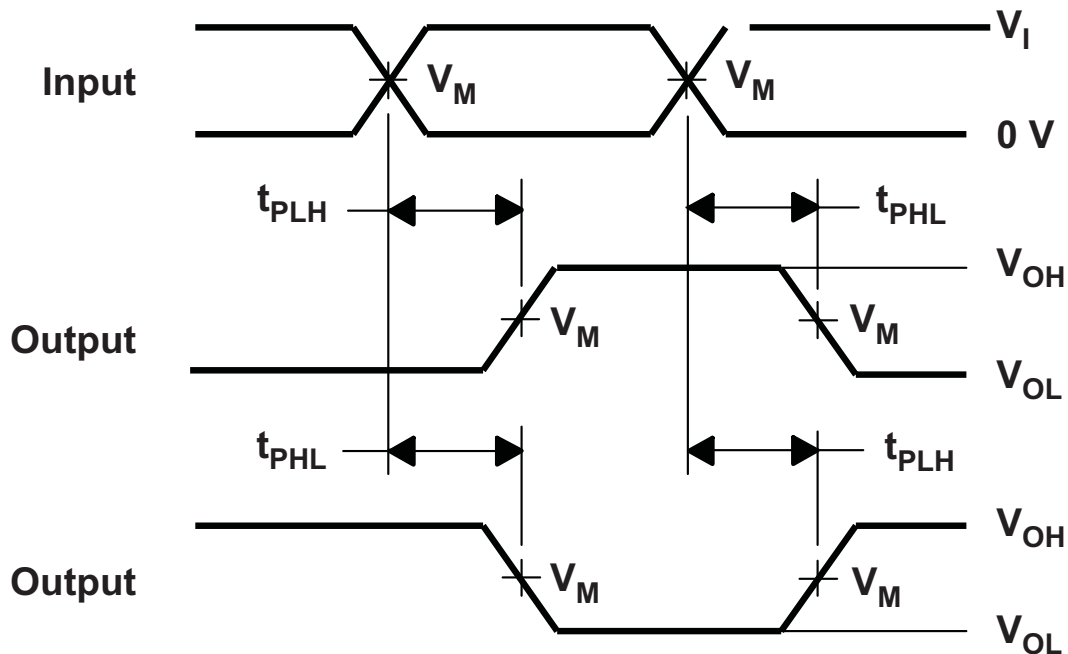
SWITCHING CHARACTERISTICS

over operating free-air temperature range (unless otherwise noted)

PARAMETER	FROM (INPUT) TO(OUTPUT) V _{CC}	T _A = –40°C to 85°C			UNIT
		MIN	TYP	MAX	
F _{CLKIN}	Input clock frequency	120		240	Hz
F _{CLKOUT}	Output clock frequency	F _{CLKIN} / 2		F _{CLKIN} / 2	Hz
t _{RISE} / t _{FALL}	Output rise/fall time			10	μs
t _{RISE} / t _{FALL}	Input rise/fall time			50	μs
Input Duty Cycle	Input duty cycle	49%	50%	51%	
Output Duty Cycle	Output duty cycle	49%	50%	5%1	
t _{SU}	Setup time on Sx	60			μs
t _H	Hold time on Sx	60			μs
t _{SKEW}	CLKOUTx skew			10	μs

PARAMETER MEASUREMENT INFORMATION
Propagation Delays
**From Output
Under Test**


	V_{CC} = 3.3 V ± 0.3 V
C_L V_M V_I	15 pF V_{CC}/2 V_{CC}


**VOLTAGE WAVEFORMS
PROPAGATION DELAY TIMES
INVERTING AND NON INVERTING OUTPUTS**

- C_L includes probe and jig capacitance.
- Waveform 1 is for an output with internal conditions such that the output is low, except when disabled by the output control. Waveform 2 is for an output with internal conditions such that the output is high, except when disabled by the output control.
- All input pulses are supplied by generators having the following characteristics: PRR ≤ 10 MHz, Z_O = 50 Ω, for setup and hold times and pulse width t_r/t_f = 1.2 ns.
- The outputs are measured on at a time, with on transition per measurement.
- t_{PLH} and t_{PHL} are the same as t_{pd}.
- All parameters and waveforms are not applicable to all devices.

PACKAGING INFORMATION

Orderable Device	Status (1)	Package Type	Package Drawing	Pins	Package Qty	Eco Plan (2)	Lead/Ball Finish (6)	MSL Peak Temp (3)	Op Temp (°C)	Device Marking (4/5)	Samples
CDC1104RVKR	ACTIVE	WQFN	RVK	12	3000	Green (RoHS & no Sb/Br)	NIPDAU	Level-2-260C-1 YEAR	-40 to 85	ZTH	Samples

(1) The marketing status values are defined as follows:

ACTIVE: Product device recommended for new designs.

LIFEBUY: TI has announced that the device will be discontinued, and a lifetime-buy period is in effect.

NRND: Not recommended for new designs. Device is in production to support existing customers, but TI does not recommend using this part in a new design.

PREVIEW: Device has been announced but is not in production. Samples may or may not be available.

OBSOLETE: TI has discontinued the production of the device.

(2) **RoHS:** TI defines "RoHS" to mean semiconductor products that are compliant with the current EU RoHS requirements for all 10 RoHS substances, including the requirement that RoHS substance do not exceed 0.1% by weight in homogeneous materials. Where designed to be soldered at high temperatures, "RoHS" products are suitable for use in specified lead-free processes. TI may reference these types of products as "Pb-Free".

RoHS Exempt: TI defines "RoHS Exempt" to mean products that contain lead but are compliant with EU RoHS pursuant to a specific EU RoHS exemption.

Green: TI defines "Green" to mean the content of Chlorine (Cl) and Bromine (Br) based flame retardants meet JS709B low halogen requirements of <=1000ppm threshold. Antimony trioxide based flame retardants must also meet the <=1000ppm threshold requirement.

(3) MSL, Peak Temp. - The Moisture Sensitivity Level rating according to the JEDEC industry standard classifications, and peak solder temperature.

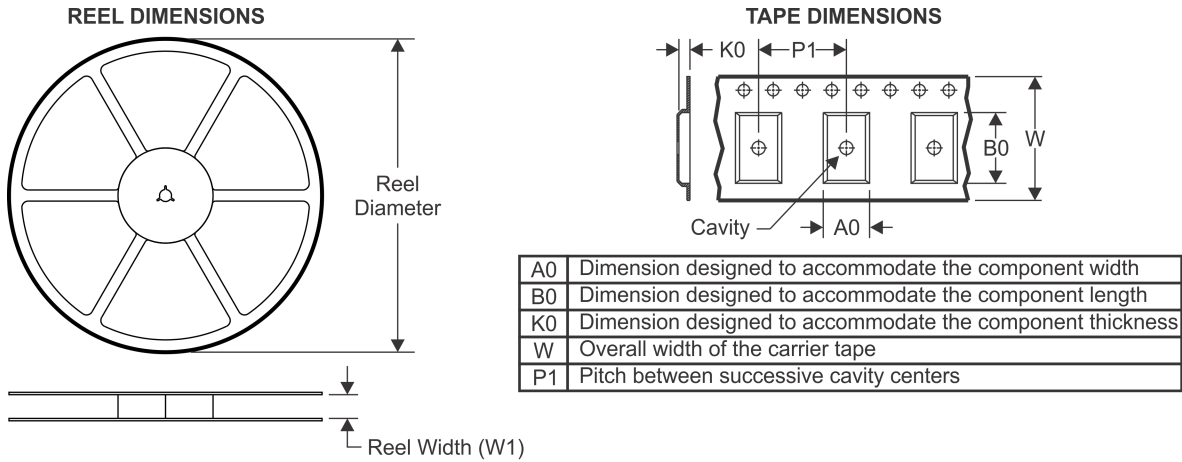
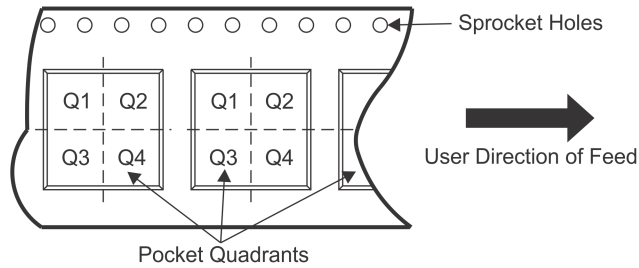
(4) There may be additional marking, which relates to the logo, the lot trace code information, or the environmental category on the device.

(5) Multiple Device Markings will be inside parentheses. Only one Device Marking contained in parentheses and separated by a "~" will appear on a device. If a line is indented then it is a continuation of the previous line and the two combined represent the entire Device Marking for that device.

(6) Lead/Ball Finish - Orderable Devices may have multiple material finish options. Finish options are separated by a vertical ruled line. Lead/Ball Finish values may wrap to two lines if the finish value exceeds the maximum column width.

Important Information and Disclaimer:The information provided on this page represents TI's knowledge and belief as of the date that it is provided. TI bases its knowledge and belief on information provided by third parties, and makes no representation or warranty as to the accuracy of such information. Efforts are underway to better integrate information from third parties. TI has taken and continues to take reasonable steps to provide representative and accurate information but may not have conducted destructive testing or chemical analysis on incoming materials and chemicals. TI and TI suppliers consider certain information to be proprietary, and thus CAS numbers and other limited information may not be available for release.

In no event shall TI's liability arising out of such information exceed the total purchase price of the TI part(s) at issue in this document sold by TI to Customer on an annual basis.

TAPE AND REEL INFORMATION

QUADRANT ASSIGNMENTS FOR PIN 1 ORIENTATION IN TAPE


*All dimensions are nominal

Device	Package Type	Package Drawing	Pins	SPQ	Reel Diameter (mm)	Reel Width W1 (mm)	A0 (mm)	B0 (mm)	K0 (mm)	P1 (mm)	W (mm)	Pin1 Quadrant
CDC1104RVKR	WQFN	RVK	12	3000	330.0	12.4	3.3	3.3	1.1	8.0	12.0	Q2

TAPE AND REEL BOX DIMENSIONS


*All dimensions are nominal

Device	Package Type	Package Drawing	Pins	SPQ	Length (mm)	Width (mm)	Height (mm)
CDC1104RVKR	WQFN	RVK	12	3000	367.0	367.0	35.0

IMPORTANT NOTICE AND DISCLAIMER

TI PROVIDES TECHNICAL AND RELIABILITY DATA (INCLUDING DATASHEETS), DESIGN RESOURCES (INCLUDING REFERENCE DESIGNS), APPLICATION OR OTHER DESIGN ADVICE, WEB TOOLS, SAFETY INFORMATION, AND OTHER RESOURCES "AS IS" AND WITH ALL FAULTS, AND DISCLAIMS ALL WARRANTIES, EXPRESS AND IMPLIED, INCLUDING WITHOUT LIMITATION ANY IMPLIED WARRANTIES OF MERCHANTABILITY, FITNESS FOR A PARTICULAR PURPOSE OR NON-INFRINGEMENT OF THIRD PARTY INTELLECTUAL PROPERTY RIGHTS.

These resources are intended for skilled developers designing with TI products. You are solely responsible for (1) selecting the appropriate TI products for your application, (2) designing, validating and testing your application, and (3) ensuring your application meets applicable standards, and any other safety, security, or other requirements. These resources are subject to change without notice. TI grants you permission to use these resources only for development of an application that uses the TI products described in the resource. Other reproduction and display of these resources is prohibited. No license is granted to any other TI intellectual property right or to any third party intellectual property right. TI disclaims responsibility for, and you will fully indemnify TI and its representatives against, any claims, damages, costs, losses, and liabilities arising out of your use of these resources.

TI's products are provided subject to TI's Terms of Sale (www.ti.com/legal/termsofsale.html) or other applicable terms available either on ti.com or provided in conjunction with such TI products. TI's provision of these resources does not expand or otherwise alter TI's applicable warranties or warranty disclaimers for TI products.

Mailing Address: Texas Instruments, Post Office Box 655303, Dallas, Texas 75265
Copyright © 2020, Texas Instruments Incorporated