



NuTiny-SDK- NUC472 User Manual

for NuMicro™ NUC472 Series

The information described in this document is the exclusive intellectual property of Nuvoton Technology Corporation and shall not be reproduced without permission from Nuvoton.

Nuvoton is providing this document only for reference purposes of NuMicro™ microcontroller based system design. Nuvoton assumes no responsibility for errors or omissions.

All data and specifications are subject to change without notice.

For additional information or questions, please contact: Nuvoton Technology Corporation.



Table of Contents

1	Overview	3
2	Introduction to NuTiny-SDK-NUC472	3
2.1	NuTiny-SDK-NUC472 Jumper Description	5
2.2	Pin Assignment for Extended Connectors	7
2.3	NuTiny-SDK-NUC472 PCB Placement	11
3	Starting to Use NuTiny-SDK-NUC472 on the Keil μ Vision [®] IDE	12
3.1	Downloading and Installing Keil μ Vision [®] IDE Software	12
3.2	Downloading and Installing Nuvoton Nu-Link Driver	12
3.3	Hardware Setup	12
3.4	Example Program	13
4	Starting to Use NuTiny-SDK-NUC472 on the IAR Embedded Workbench ..	14
4.1	Downloading and Installing IAR Embedded Workbench Software	14
4.2	Downloading and Installing Nuvoton Nu-Link Driver	14
4.3	Hardware Setup	14
4.4	Example Program	15
5	NuTiny-EVB-NUC472 Schematics	16
5.1	NuTiny-EVB-NUC472 Schematic	16
5.2	Nu-Link-Me Schematic	23
6	Downloading NuMicro [™] Related Files from Nuvoton Website	24
6.1	Downloading NuMicro [™] Keil μ Vision [®] IDE Driver	24
6.2	Downloading NuMicro [™] IAR EWARM Driver	27
6.3	Downloading NuMicro [™] NUC472 Series BSP Software Library	30
7	Revision History	32

1 Overview

The NuTiny-SDK-NUC472 is a specific development tool for NuMicro™ NUC472 series. User can use NuTiny-SDK-NUC472 to develop and verify the application program easily. The NuTiny-SDK-NUC472 includes two parts: NuTiny-EVB-NUC472 and Nu-Link-Me. The NuTiny-EVB-NUC472 is the evaluation board and Nu-Link-Me is its Debug Adaptor. Therefore, user does not need other additional ICE or debug equipment.

2 Introduction to NuTiny-SDK-NUC472

The NuTiny-SDK-NUC472 uses the NUC472HI8AE as the target microcontroller. Figure 2-1 shows the NuTiny-SDK-NUC472 for NUC472 series, in which the left portion is called NuTiny-EVB-NUC472 and the right portion is called Nu-Link-Me.

The NuTiny-EVB-NUC472 is similar to other development boards. User can use it to develop and verify applications to emulate the real behavior. The on-board chip covers NUC472 series features. The NuTiny-EVB-NUC472 can be a real system controller to design user's target systems.

The Nu-Link-Me is a Debug Adaptor, which connects your PC's USB port to your target system (via Serial Wired Debug port) and allows you to program and debug embedded programs on the target hardware. To use the Nu-Link-Me Debug Adaptor with IAR or Keil, please refer to the "Nuvoton NuMicro™ IAR ICE Driver User Manual" or "Nuvoton NuMicro™ Keil ICE Driver User Manual" for details. The two documents will be stored in the local hard disk when each driver is installed.

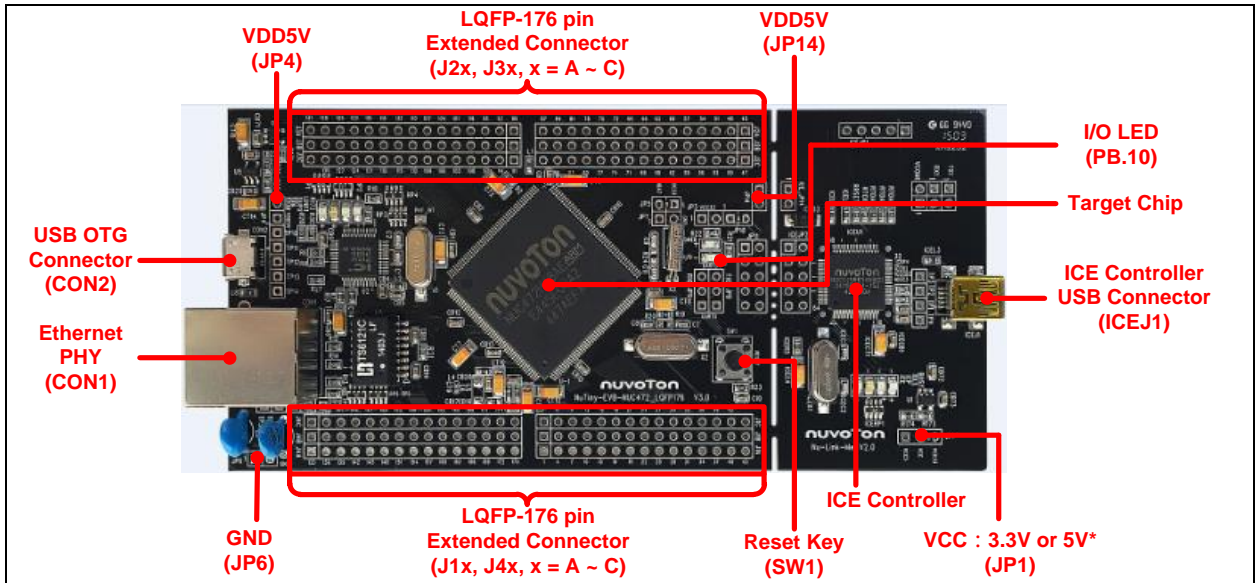


Figure 2-1 NuTiny-SDK-NUC472 (Black PCB Board)

* NOTE: Make sure the VCC (JP1) is shorted on VCC33 (default), and don't change it to protect all the Ethernet 3.3V devices in the NuTiny-EVB-NUC472 when debugging this target NUC472 system via this Nu-Link-Me board.



2.1 NuTiny-SDK-NUC472 Jumper Description

2.1.1 Power Settings

- **ICEJ1**: USB port in Nu-Link-Me
- **CON2**: USB port in NuTiny-EVB-NUC472
- **JP4/JP14**: VDD5V voltage connector in NuTiny-EVB-NUC472

POWER Mode	ICEJ1 USB Port (Mini)	CON2 USB Port (Micro)	JP4/JP14 VDD5V	MCU Voltage	Comment
Mode 1	Connected to PC	X	DC 5V Output	DC 3.3 V	ICEJ1 (from PC) supplies the power.
Mode 2	X	Connect to PC (USB port is device)	DC 5V Output	DC 3.3 V	CON2 (from PC) supplies the power when TP10 is wired to JP4 or JP14.
Mode 3	X	Connect to PC (USB port is host)	DC 5V Input	DC 3.3V	JP4 or JP14 supplies the power.

X: Unused.

2.1.2 Debug Connectors

- **JP11**: The connector in the target board (NuTiny-EVB-NUC472) for connecting with Nuvoton ICE adaptor (Nu-Link, Nu-Link-Pro or Nu-Link-Me)
- **ICEJP2**: The connector in the ICE adaptor (Nu-Link-Me) for connecting with a target board (e.g. NuTiny-EVB-NUC472)

2.1.3 USB Connector

- **ICEJ1**: Mini USB connector in Nu-Link-Me connected to a PC USB port

2.1.4 USB OTG Host/Device Connector

- **CON2**: Micro USB connector in NuTiny-EVB-NUC472 for application use

2.1.5 Extended Connectors

- **J1x, J2x, J3x and J4x (x = A ~ C)** : Show all chip pins in NuTiny-EVB-NUC472

2.1.6 Reset Button

- **SW1**: Reset button in NuTiny-EVB-NUC472. Press this key to reset the target chip NUC472HI8AE.

2.1.7 Power Connectors

- **JP3:** VCC33 connector in NuTiny-EVB-NUC472 to supply the 3.3V voltage input to target board
- **JP10:** An option to select whether the 3.3V voltage input supplied by the ICE bridge (default)
- **VBAT:** The VBAT connector in NuTiny-EVB-NUC472 to supply an extra battery power. The default is shorted with VCC33.
- **JP4/JP14:** VDD5V connector in NuTiny-EVB-NUC472 to supply 5V voltage input from an extra power supplier.
- **JP6:** GND connector in NuTiny-EVB-NUC472

2.1.8 10/100 Mbps Fast Ethernet PHY

- **CON1:** Ethernet connector in NuTiny-EVB-NUC472 for application use.



2.2 Pin Assignment for Extended Connectors

The NuTiny-EVB-NUC472 provides the NUC472HI8AE target chip on board and the extended connectors **J1x**, **J2x**, **J3x**, and **J4x** (**x = A ~ C**) for LQFP 176-pin.

No	Pin Name	No	Pin Name
1	PE.12/ADC1_4/ACMP1_P3/ACMP2_P2/ EBI_ncs1/HS	21	PD.0/SPI1_MISO0/SC4_CLK/SD1_DAT2/ CAP_DATA3/EBI_A4/INT3/HS
2	PE.13/ADC1_5/ACMP2_P1/EBI_nCS2/HS	22	PD.1/SPI1_CLK/TM0_CNT_OUT/SD1_DAT1/ CAP_DATA2/EBI_A5/HS
3	PE.14/ADC1_6/ACMP2_P0/EBI_nCS3/HS	23	PD.2/STADC/I2C3_SCL/SD1_DAT0/CAP_DATA1/ EBI_A6/HS
4	PE.15/ADC1_7/ACMP2_N	24	PH.11/UART3_RXD
5	PF.9/OPA0_IN+/PWM0_0/HS	25	PH.12/UART3_TXD
6	PF.10/OPA0_IN-/PWM0_1/HS	26	PH.13/UART3_RTS
7	PF.11/OPA0_O/UART1_RTS	27	PH.14/UART3_CTS
8	PF.12/OPA1_IN+/UART1_CTS	28	PD.3/SC5_CLK/I2C3_SDA/ACMP2_O/SD0_CDn/ CAP_DATA0/EBI_A7/HS
9	PF.13/OPA1_IN-/UART1_TXD	29	PD.4/SC5_CD/UART3_RXD/ACMP1_O/ CAP_SCLK/EBI_A8/HS
10	PF.14/OPA1_O/UART1_RXD	30	PD.5/SC5_RST/UART3_TXD/CAP_VSYNC/ EBI_A9/HS
11	VSS	31	PD.6/SC5_PWR/UART3_RTS/SD0_CMD/ CAP_HSYNC/EBI_A10/HS
12	VDD	32	PD.7/SC5_DAT/UART3_CTS/SD0_CLK/ CAP_PIXCLK/EBI_A11/HS
13	PF.15/UART0_RTS	33	PH.15/SC5_CLK
14	PG.0/UART0_CTS/INT6	34	PI.0/SC5_RST
15	PG.1/UART0_RXD	35	PI.1/SC5_PWR
16	PG.2/UART0_TXD	36	PI.2/SC5_DAT
17	PC.12/SPI1_SS0/SC4_CD/SD1_CDn/CAP_DATA7/ EBI_A0/HS	37	PG.13/XT1_IN
18	PC.13/SPI1_MOSI1/SC4_RST/SD1_CMD/ CAP_DATA6/EBI_A1/HS	38	PG.12/XT1_OUT
19	PC.14/SPI1_MISO1/SC4_PWR/TM3_EXT/ SD1_CLK/CAP_DATA5/EBI_A2/HS	39	nRESET
20	PC.15/SPI1_MOSI0/SC4_DAT/SD1_DAT3/ CAP_DATA4/EBI_A3/HS	40	LDO_CAP



41	VSS	64	PG.4/PS2_DAT/I2S1_DI/SC1_PWR
42	VDD	65	PG.5/I2S1_BCLK/SC1_DAT
43	PG.10/ICE_CLK	66	PG.6/I2S1_LRCK/SC1_CLK
44	PG.11/ICE_DAT	67	VDD
45	PG.15/X32K_IN/I2C1_SCL	68	VSS
46	PG.14/X32K_OUT/I2C1_SDA	69	PA.7/SC0_CLK/SPI3_SS0/PWM1_3/EPWM0_5/ EBI_A17/HS
47	VBAT	70	PA.8/SC0_RST/SPI3_CLK/PWM1_2/EPWM0_4/ EBI_A18/HS
48	PA.0/TAMPER0/SC0_CD/CAN1_RXD/INT0	71	PA.9/SC0_PWR/SPI3_MISO0/PWM1_1/EPWM0_3/ EBI_A19/HS
49	PA.1/TAMPER1/SC5_CD/CAN1_TXD/EBI_A22	72	PA.10/SC0_DAT/SPI3_MOSI0/PWM1_0/ EPWM0_2/EBI_A20/HS
50	PI.3/SPI3_SS0/HS	73	PA.11/UART0_RTS/SPI3_MISO1/PWM0_5/ EPWM0_1/EBI_AD0/HS
51	PI.4/SPI3_CLK/HS	74	PA.12/UART0_CTS/SPI3_MOSI1/PWM0_4/ EPWM0_0/EBI_AD1/HS
52	PI.5/SPI3_MISO0/HS	75	PA.13/UART0_RXD/SC3_DAT/PWM1_4/EBI_AD2/ HS
53	PI.6/SPI3_MOSI0/HS	76	PA.14/UART0_TXD/SC3_CLK/PWM1_5/EBI_AD3/ HS
54	PD.8/SPI3_MISO1/I2C0_SCL/HS	77	PI.9/I2C4_SCL
55	PD.9/SPI3_MOSI1/I2C0_SDA/HS	78	PI.10
56	PA.2/SC2_DAT/SPI3_MISO0/I2S0_MCLK/ BRAKE11/CAP_SFIELD/EBI_A12/HS	79	PD.10/SC3_DAT/I2C4_SCL
57	PA.3/SC2_CLK/SPI3_MOSI0/I2S0_DO/BRAKE10/ EBI_A13/HS	80	PD.11/SC3_RST/TM3_CNT_OUT
58	PA.4/SC2_PWR/SPI3_CLK/I2S0_DI/QEI1_Z/ EBI_A14/ECAP1_IC2/HS	81	PD.12/SC3_CLK/I2C4_SDA
59	PA.5/SC2_RST/SPI3_SS0/I2S0_BCLK/PWM0_0/ QE11_B/EBI_A15/ECAP1_IC1/HS	82	PA.15/SC3_PWR/UART2_RTS/I2C0_SCL/ EBI_A21/HS
60	PA.6/SC2_CD/I2S0_LRCK/PWM0_1/QEI1_A/ CAN1_TXD/EBI_A16/ECAP1_IC0/HS	83	PC.9/STADC/UART2_CTS/SC3_RST/I2C0_SDA/ CAP_DATA1/I2C3_SCL/EBI_A22/SD1_DAT0/ EBI_A6/HS
61	PI.7/I2C2_SCL/SPI3_MISO1/HS	84	PC.10/SC3_CD/UART2_RXD/PWM0_2/EBI_A23/ EBI_AD2/HS
62	PI.8/I2C2_SDA/SPI3_MOSI1/HS	85	PC.11/UART2_TXD/PWM0_3/EBI_A24/EBI_AD3/ HS
63	PG.3/PS2_CLK/I2S1_DO/SC1_RST	86	LDO_CAP



87	VSS	110	PF.1/SPI2_MOSI1/HS
88	VDD	111	VDD
89	PD.13/SPI1_SS0/UART5_CTS/ECAP0_IC2/HS	112	VSS
90	PD.14/SPI1_CLK/UART5_RTS/ECAP0_IC1/HS	113	PB.2/UART1_RXD/SPI2_SS0/USB1_D-/EBI_AD4/HS
91	PD.15/SPI1_MISO0/UART5_TXD/ECAP0_IC0/HS	114	PB.3/UART1_TXD/SPI2_CLK/USB1_D+/EBI_AD5/HS
92	PF.0/SPI1_MOSI0/UART5_RXD/INT5/HS	115	PB.4/UART1_RTS/SPI2_MISO0/UART4_RXD/TM0_CNT_OUT/EBI_AD6/HS
93	VRES	116	PB.5/UART1_CTS/SPI2_MOSI0/UART4_TXD/EBI_AD7/HS
94	VBUS	117	PB.6/I2C2_SCL/BRAKE01/UART4_RTS/PWM1_4/EPWM1_0/EBI_AD8/HS
95	USB_VDD33_CAP	118	PB.7/I2C2_SDA/BRAKE00/UART4_CTS/PWM1_5/EPWM1_1/EBI_AD9/HS
96	VSSA	119	PB.8/UART5_CTS/EPWM1_2/EBI_AD10/HS
97	USB0_D-	120	PB.9/UART5_RTS/EPWM1_3/EBI_AD11/HS
98	USB0_D+	121	PB.10/UART5_TXD/EPWM1_4/EBI_AD12/HS
99	USB0_OTG_ID	122	PB.11/UART5_RXD/EPWM1_5/EBI_AD13/HS
100	PB.0/USB0_VBUS_ST/I2C4_SCL/INT1	123	PH.0/I2C1_SCL/UART4_RXD/CAN1_RXD/INT7
101	PB.1/USB0_VBUS_EN/I2C4_SDA/TM1_CNT_OUT	124	PH.1/UART4_TXD/I2C1_SDA/CAN1_TXD
102	PG.7/SPI2_MISO0/I2S1_MCLK/SC1_CD/SC3_RST/HS	125	PB.12/UART4_RTS/SPI2_MISO1/CAN0_RXD/EMAC_MII_MDC/EBI_AD14/HS
103	PG.8/SPI2_MOSI0/I2S1_DO/UART4_RTS/SC3_DAT/HS	126	PB.13/UART4_CTS/SPI2_MOSI1/CAN0_TXD/EMAC_MII_MDIO/EBI_AD15/HS
104	PG.9/SPI2_CLK/I2S1_DI/UART4_CTS/SC3_CLK/HS	127	PB.14/I2S1_MCLK/SC1_RST/BRAKE01/EMAC_MII_MDC/HS
105	PI.11/SPI2_SS0/I2S1_BCLK/I2C4_SCL/SC3_PWR/HS	128	PB.15/I2S1_DO/SC1_DAT/BRAKE00/EMAC_MII_MDIO/HS
106	PI.12/SPI2_MISO1/I2S1_LRCK/I2C4_SDA/SC3_CD	129	VDD
107	PI.13	130	VSS
108	PI.14	131	LDO_CAP
109	PI.15	132	PC.0/I2S1_DI/SC1_DAT/UART4_RXD/EMAC_REFCLK/EBI_MCLK/INT2/HS



133	PC.1/I2S1_BCLK/SC1_CLK/UART4_TXD/ TM3_CNT_OUT/EMAC_MII_RXERR/EBI_AD13/HS	155	PH.7/SPI2_MISO0/HS
134	PC.2/I2S1_LRCK/SC1_PWR/UART4_RTS/ SPI0_SS0/EMAC_MII_RXDV/EBI_AD12/HS	156	PH.8/SPI2_MOSI0/HS
135	PC.3/I2S1_MCLK/SC1_CD/UART4_CTS/ SPI0_MISO1/QEI0_Z/EMAC_MII_RXD1/EBI_AD11/ ECAPO_IC2/HS	157	PH.9/SPI2_MISO1/HS
136	PC.4/I2S1_DO/SC1_RST/SPI0_MOSI1/QEI0_B/ EMAC_MII_RXD0/EBI_AD10/ECAPO_IC1/HS	158	PH.10/SPI2_MOSI1/HS
137	PC.5/CLKO/QEI0_A/EMAC_MII_RXCLK/ EBI_MCLK/ECAPO_IC0/HS	159	LDO_CAP
138	PC.6/TM2_EXT/SPI0_MISO0/TM2_CNT_OUT/ EMAC_MII_TXD0/EBI_AD9/HS	160	VSS
139	PC.7/TM1_EXT/SPI0_MOSI0/EMAC_MII_TXD1/ EBI_AD8/HS	161	VDD
140	PC.8/TM0_EXT/SPI0_CLK/EMAC_MII_TXEN/HS	162	PE.0/ADC0_0/INT4
141	PF.2/SPI3_SS0/SD0_DAT3/EMAC_MII_RXD3/HS	163	PE.1/ADC0_1/TM2_CNT_OUT
142	PF.3/SPI3_CLK/SD0_DAT2/EMAC_MII_RXD2/HS	164	PE.2/ADC0_2/ACMP0_O/SPI0_MISO0/HS
143	PF.4/SPI3_MISO0/SD0_DAT1/EMAC_MII_COL0/ HS	165	PE.3/ADC0_3/ACMP0_P3/SPI0_MOSI0/HS
144	PF.5/SPI3_MOSI0/SD0_DAT0/EMAC_MII_CRS/HS	166	PE.4/ADC0_4/ACMP0_P2/SPI0_SS0/HS
145	VSS	167	PE.5/ADC0_5/ACMP0_P1/SPI0_CLK/SD0_CDn/HS
146	VDD	168	PE.6/ADC0_6/ACMP0_P0/SPI0_MISO0/ SD0_CMD/EBI_nWR/HS
147	PF.6/UART2_RXD/SD0_CDn/EMAC_MII_TXCLK/ HS	169	PE.7/ADC0_7/ACMP0_N/SPI0_MOSI0/SD0_CLK/ EBI_nRD/HS
148	PF.7/UART2_TXD/SD0_CMD/EMAC_MII_TXD3/ HS	170	AVSS
149	PF.8/UART2_RTS/SD0_CLK/EMAC_MII_TXD2/HS	171	Vref
150	PH.2/UART2_CTS	172	AVDD
151	PH.3/I2C3_SCL	173	PE.8/ADC1_0/ADC0_8/ACMP1_N/ TM1_CNT_OUT/SD0_DAT3/EBI_ALE/HS
152	PH.4/I2C3_SDA	174	PE.9/ADC1_1/ADC0_9/ACMP1_P0/SD0_DAT2/ EBI_nWRH/HS
153	PH.5/SPI2_SS0/HS	175	PE.10/ADC1_2/ADC0_10/ACMP1_P1/ SPI0_MISO1/SD0_DAT1/EBI_nWRL/HS
154	PH.6/SPI2_CLK/HS	176	PE.11/ADC1_3/ADC0_11/ACMP1_P2/ SPI0_MOSI1/SD0_DAT0/ACMP2_P3/EBI_nCS0/ HS

Table 2-1 NUC472HI8AE LQFP 176-pin Assignment for Extended Connectors



2.3 NuTiny-SDK-NUC472 PCB Placement

The following figure shows the NuTiny-SDK-NUC472 PCB placement.

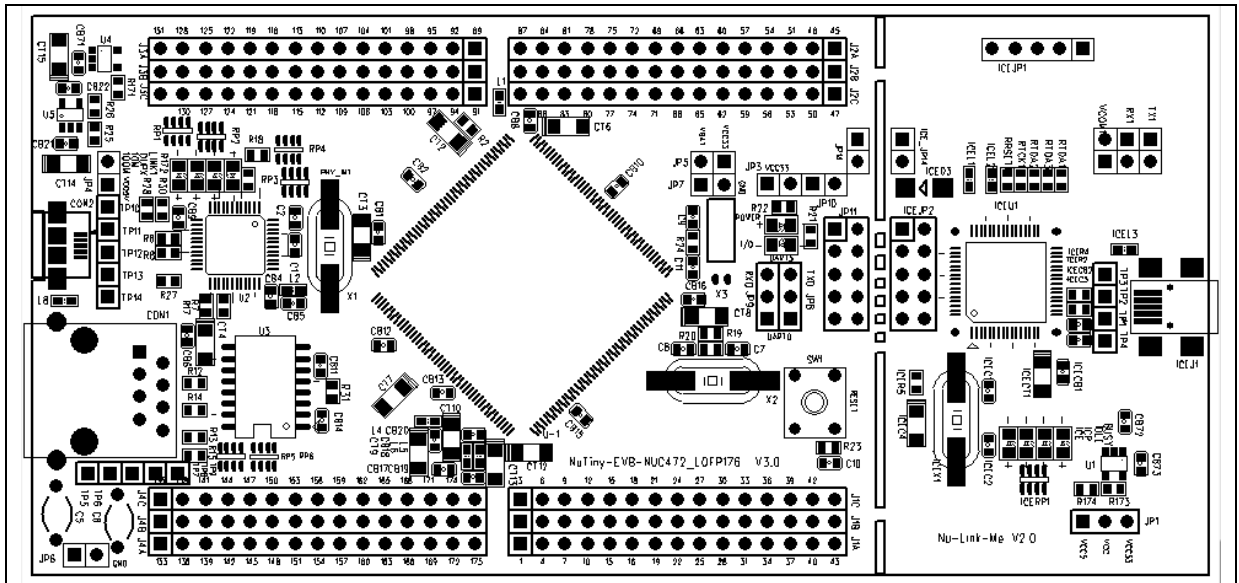


Figure 2-2 NuTiny-SDK-NUC472 PCB Placement

3 Starting to Use NuTiny-SDK-NUC472 on the Keil μ Vision[®] IDE

3.1 Downloading and Installing Keil μ Vision[®] IDE Software

Please connect to the Keil company website (<http://www.keil.com>) to download the Keil μ Vision[®] IDE and install the RVMDK.

3.2 Downloading and Installing Nuvoton Nu-Link Driver

Please connect to Nuvoton NuMicro[™] website (<http://www.nuvoton.com/NuMicro>) to download the “NuMicro[™] Keil μ Vision[®] IDE driver” file. Please refer to *section 6.1* for the detailed download flow. After the Nu-Link driver is downloaded, please unzip the file and execute the “Nu-Link_Keil_Driver.exe” to install the driver.

3.3 Hardware Setup

The hardware setup is shown in the following figure.



Figure 3-1 NuTiny-SDK-NUC472 Hardware Setup



3.4 Example Program

This example, as shown in the directory in Figure 3-2, demonstrates downloading and debugging an application on a NuTiny-SDK-NUC472 board. The example file can be downloaded from Nuvoton NuMicro™ website as described in *section 6.3*.

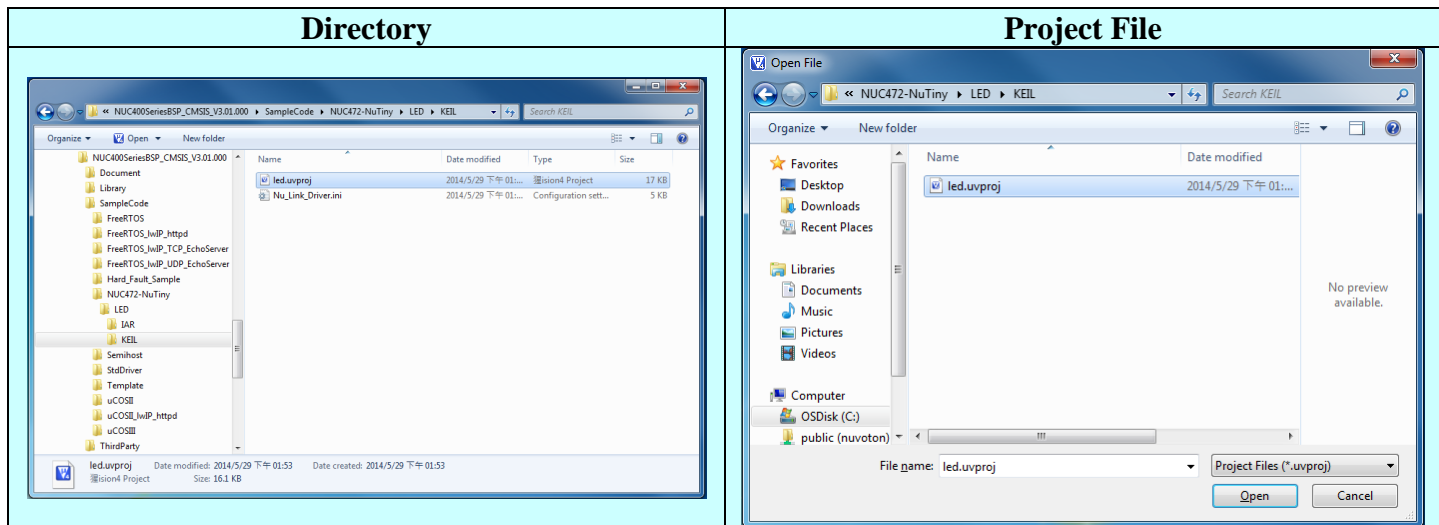




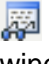


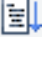


Figure 3-2 Example Directory

To use the example:

The I/O LED on the NuTiny-EVB-NUC472 board will be toggled on.

-  **Start µVision®**
- **Project – Open**
Open the led.uvproj project file
-  **Project – Build**
Compile and link the LED application
-  **Flash – Download**
Program the application code into on-chip Flash ROM
-  **Start Debug mode**
When using the debugger commands, you may:
 - ◆  Review variables in the watch window
 - ◆  Single step through code
 - ◆  Reset the device
 - ◆  Run the application

4 Starting to Use NuTiny-SDK-NUC472 on the IAR Embedded Workbench

4.1 Downloading and Installing IAR Embedded Workbench Software

Please connect to IAR company website (<http://www.iar.com>) to download the IAR Embedded Workbench and install the EWARM.

4.2 Downloading and Installing Nuvoton Nu-Link Driver

Please connect to Nuvoton Company NuMicro™ website (<http://www.nuvoton.com/NuMicro>) to download “NuMicro™ IAR EWARM Driver” file. Please refer to *section 6.2* for the detail download flow. After the Nu-Link driver is downloaded, please unzip the file and execute the “Nu-Link_IAR_Driver.exe” to install the driver.

4.3 Hardware Setup

The hardware setup is shown in the following figure.

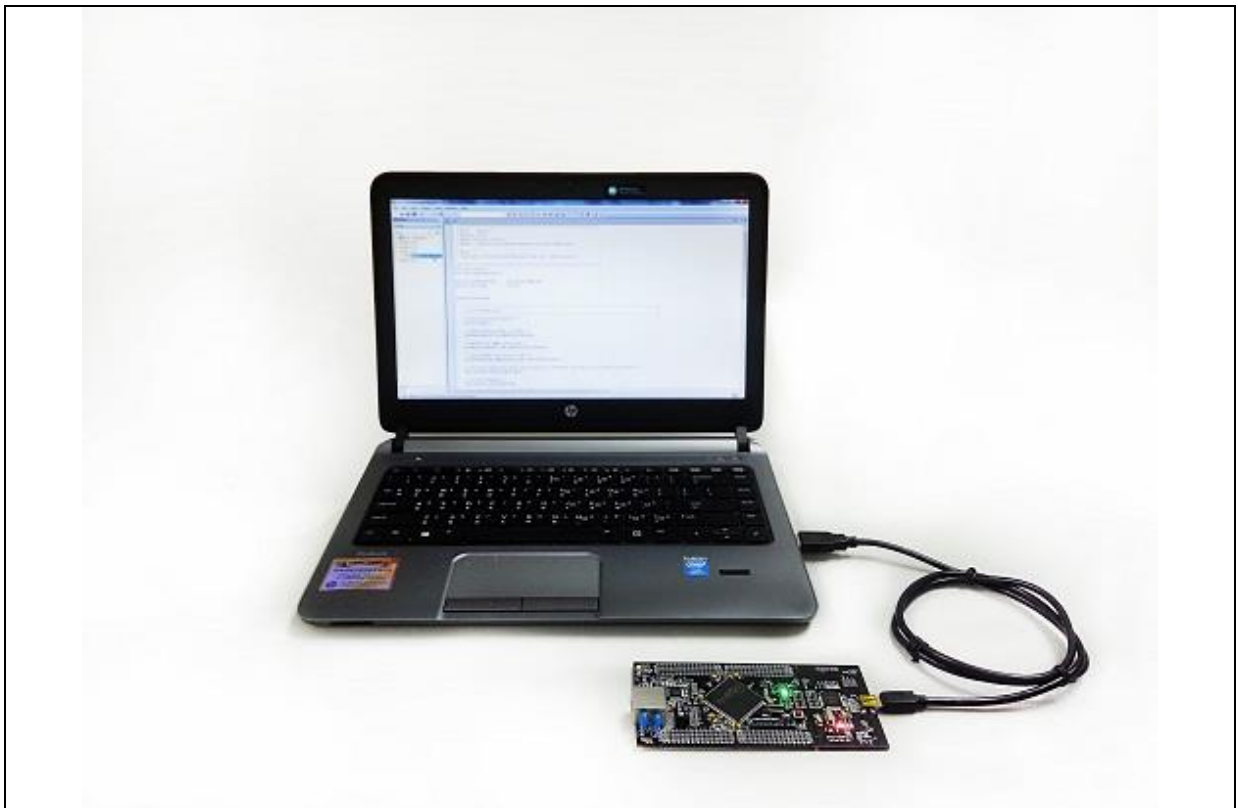


Figure 4-1 NuTiny- SDK-NUC472 Hardware Setup

4.4 Example Program

This example, as shown in the directory in Figure 4-2, demonstrates downloading and debugging an application on a NuTiny-SDK-NUC472 board. The example file can be downloaded from Nuvoton NuMicro™ website as described in *section 6.3*.

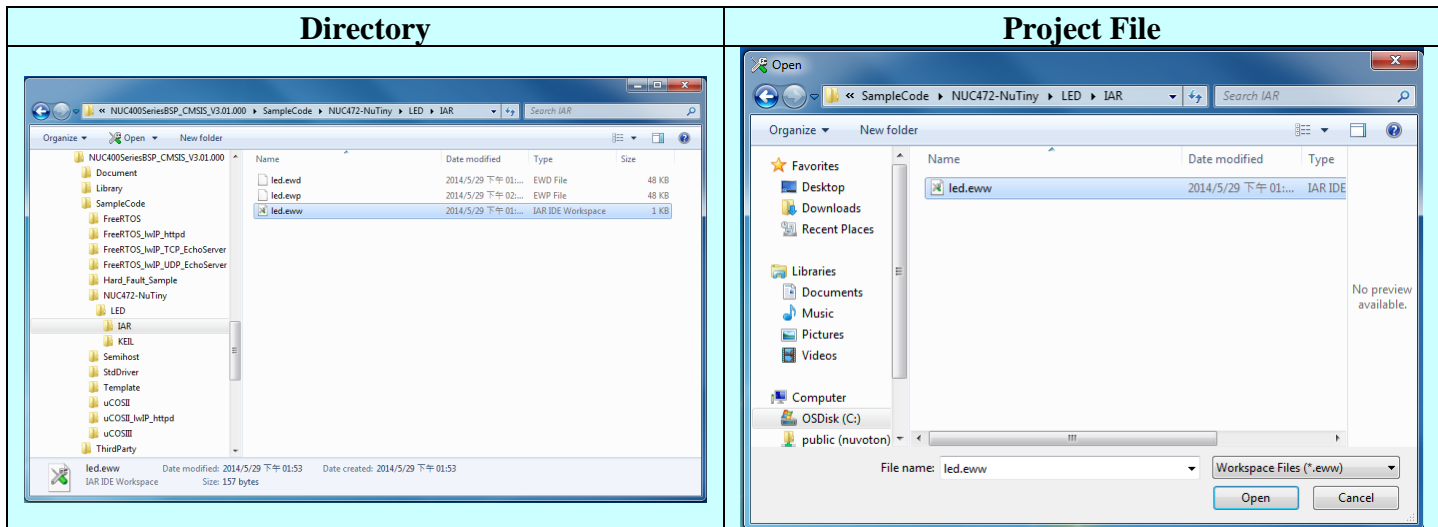








Figure 4-2 Example Directory

To use the example:

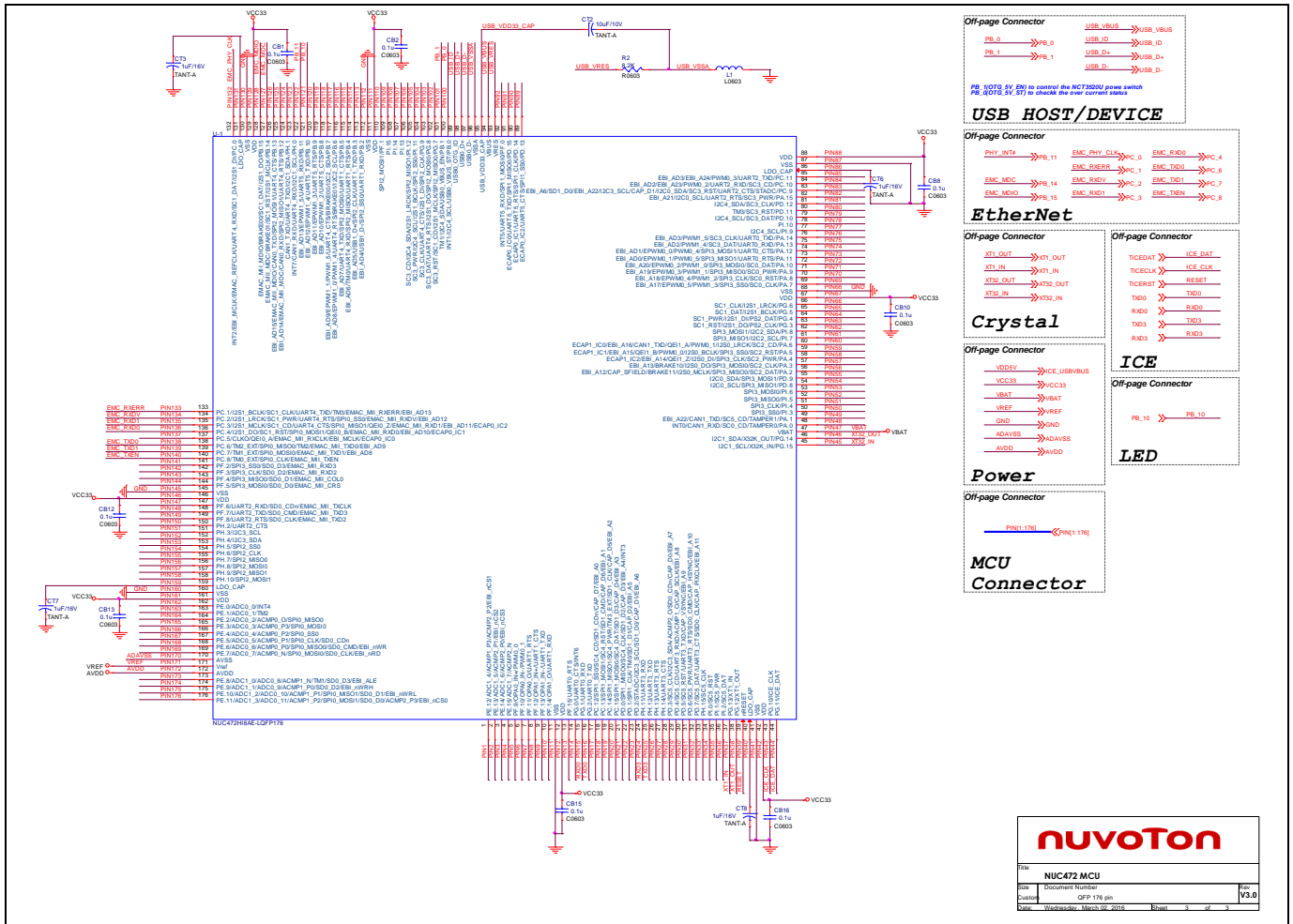
The I/O LED on the NuTiny-EVB-NUC472 board will be toggled on.

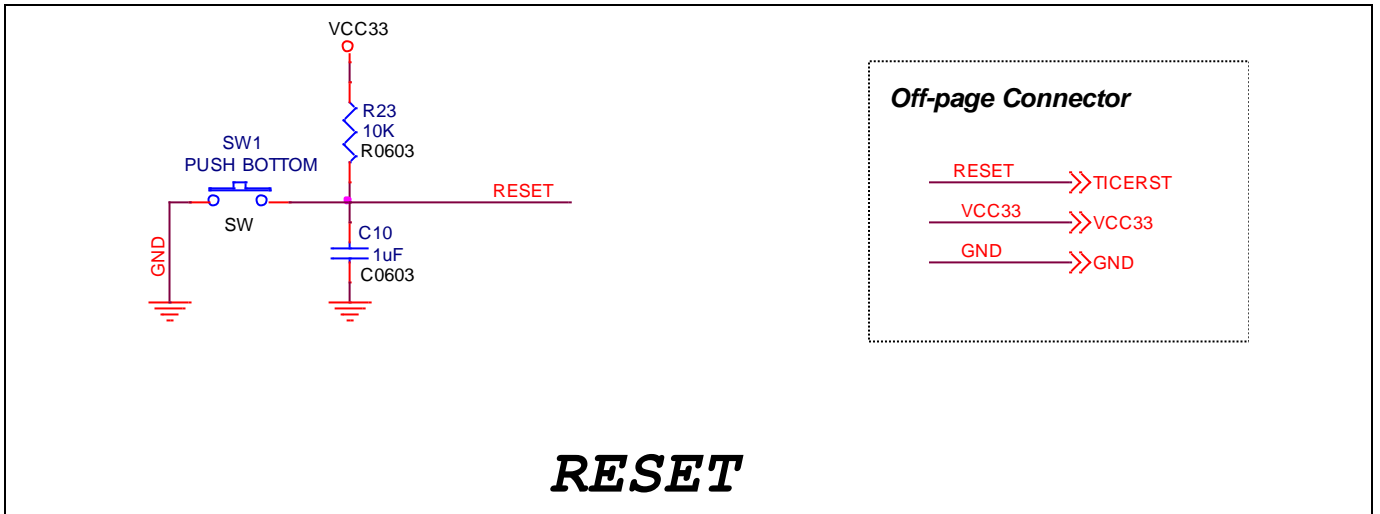
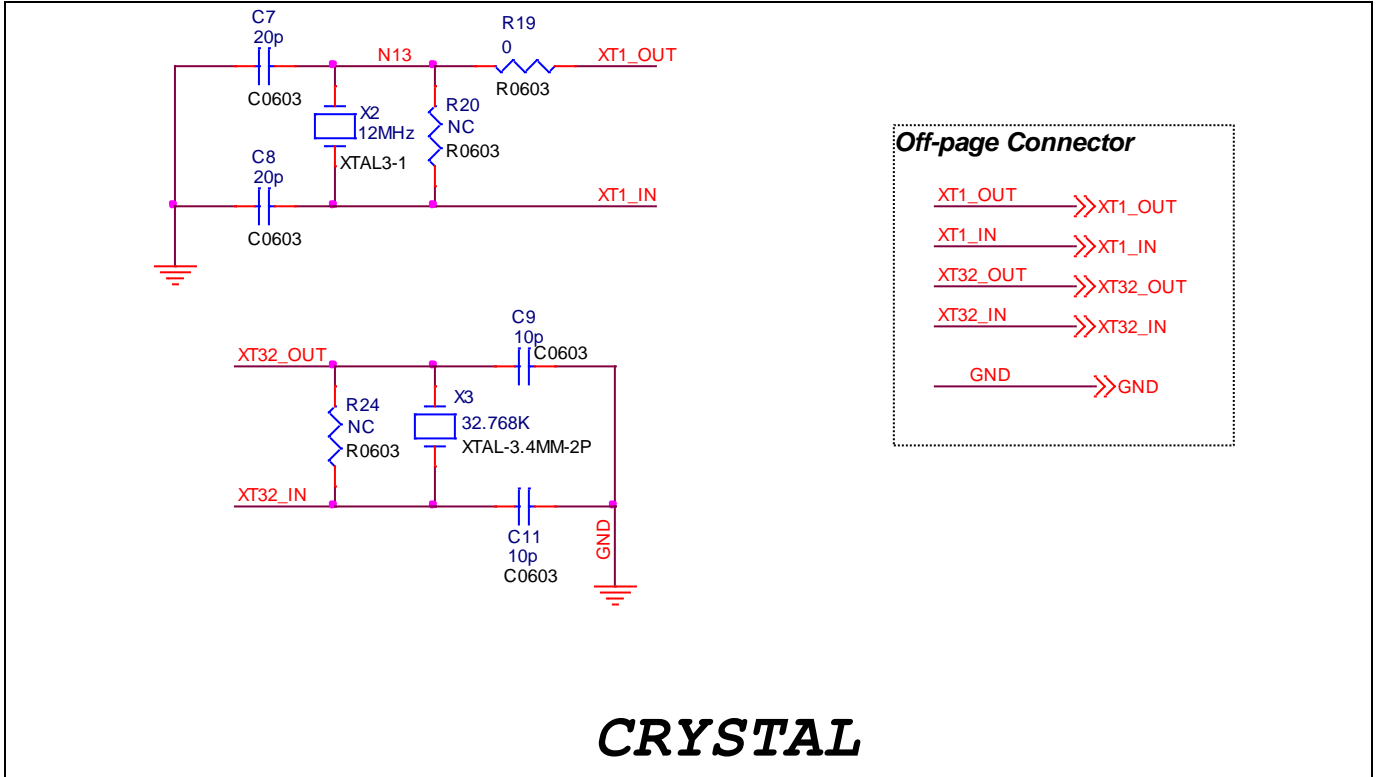
-  **Start IAR Embedded Workbench**
- **File-Open-Workspace**
Open the led.eww workspace file
-  **Project - Make**
Compile and link the LED application
-  **Project – Download and Debug**
Program the application code into on-chip Flash ROM
 - ◆  Single step through code
 - ◆  Reset the device
 - ◆  Run the application

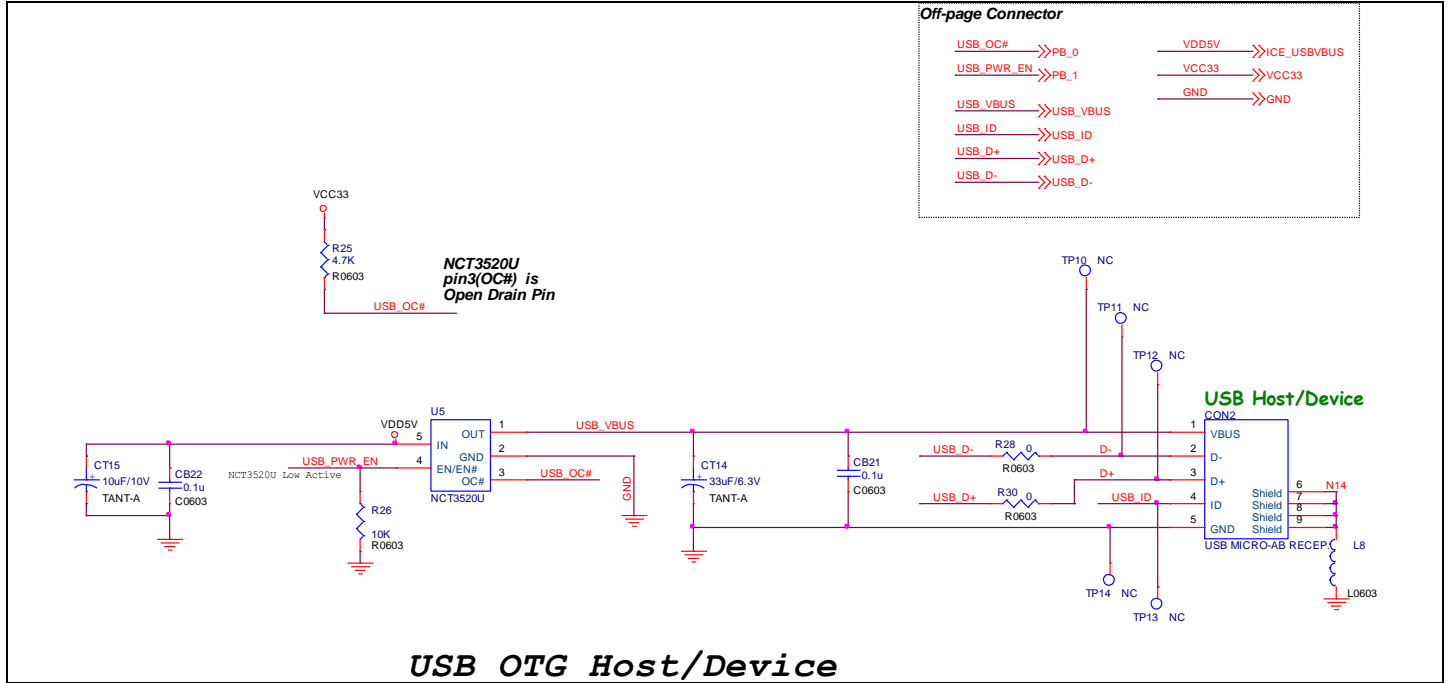


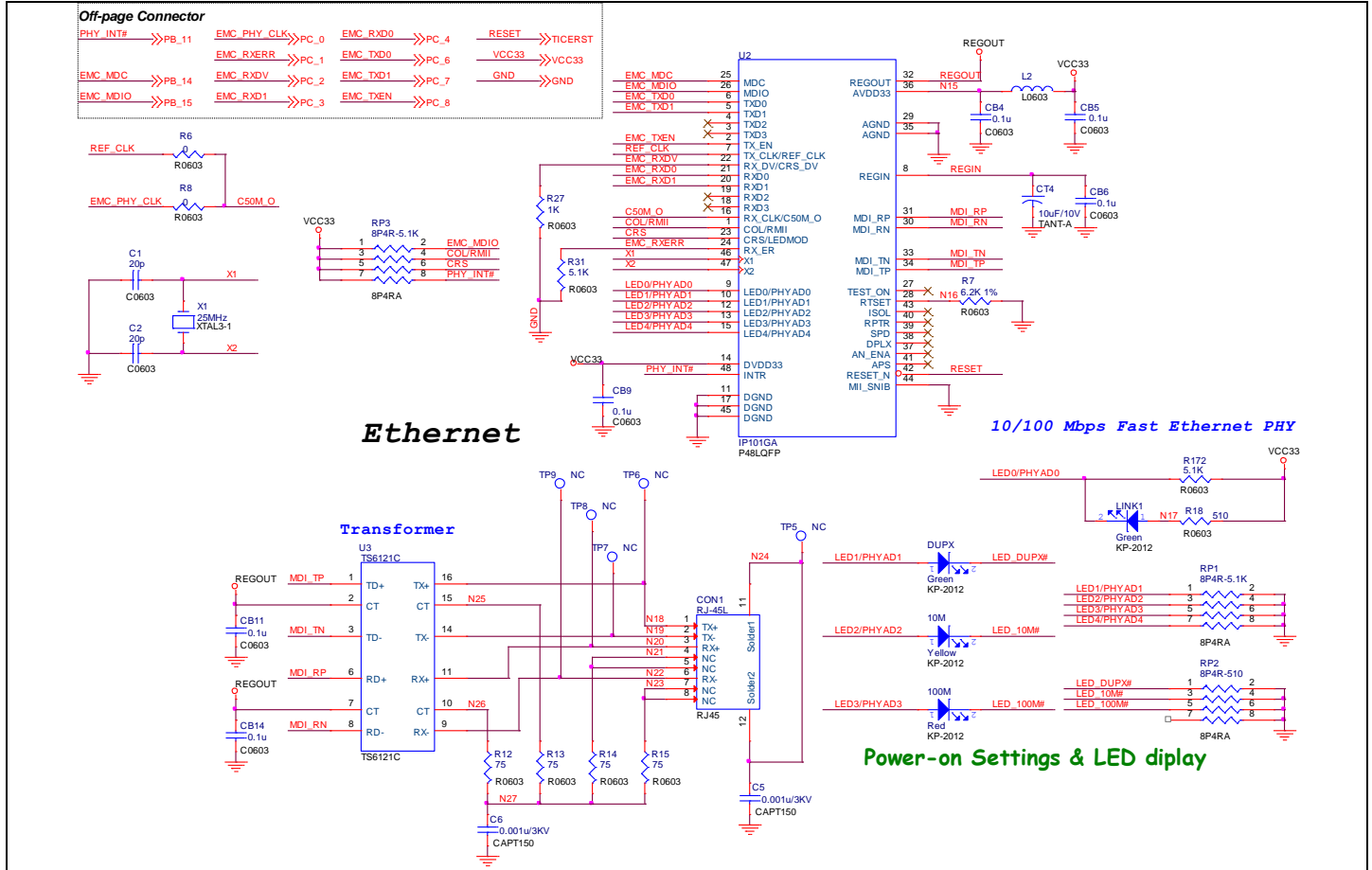
5 NuTiny-EVB-NUC472 Schematics

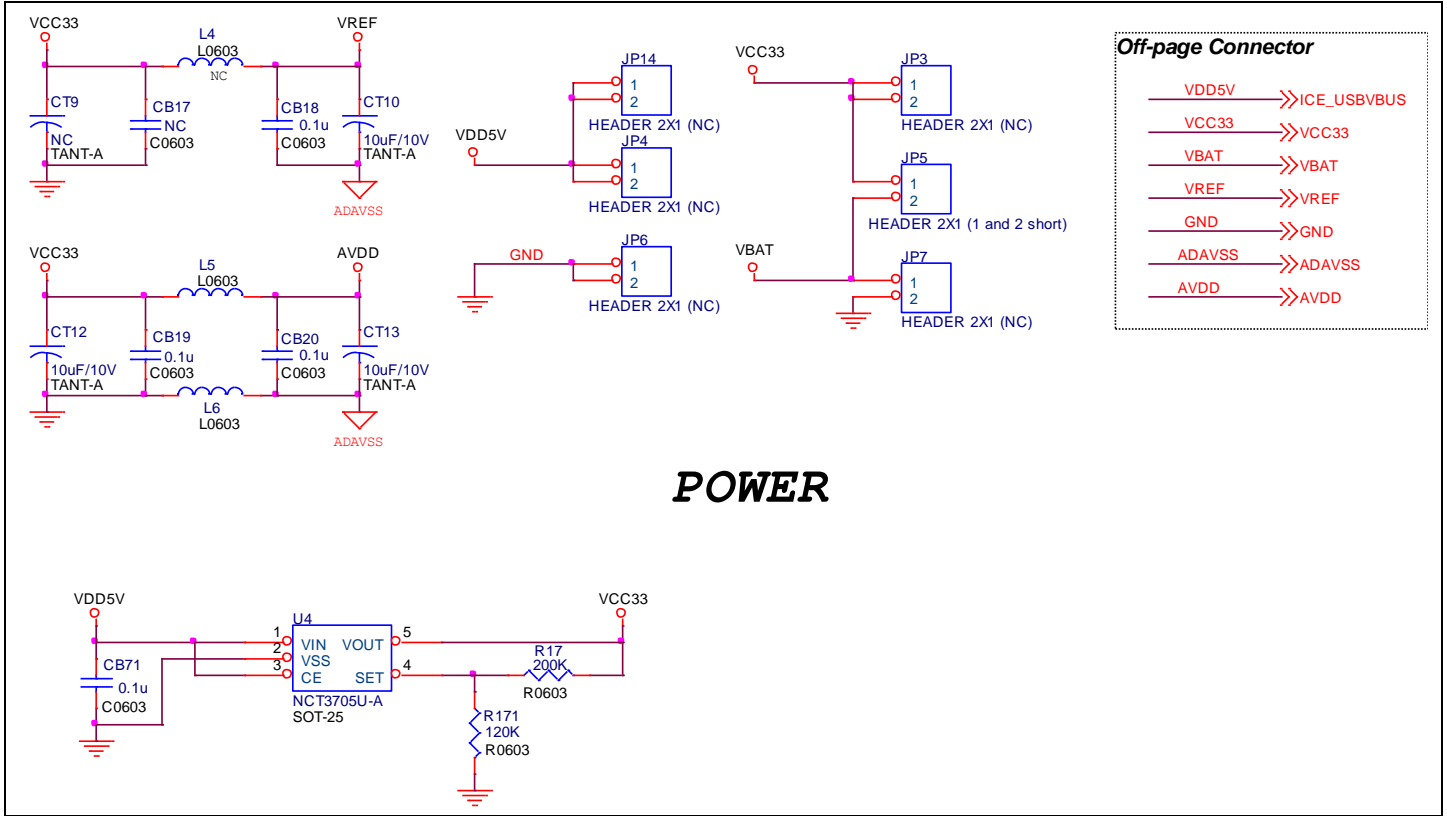
5.1 NuTiny-EVB-NUC472 Schematic

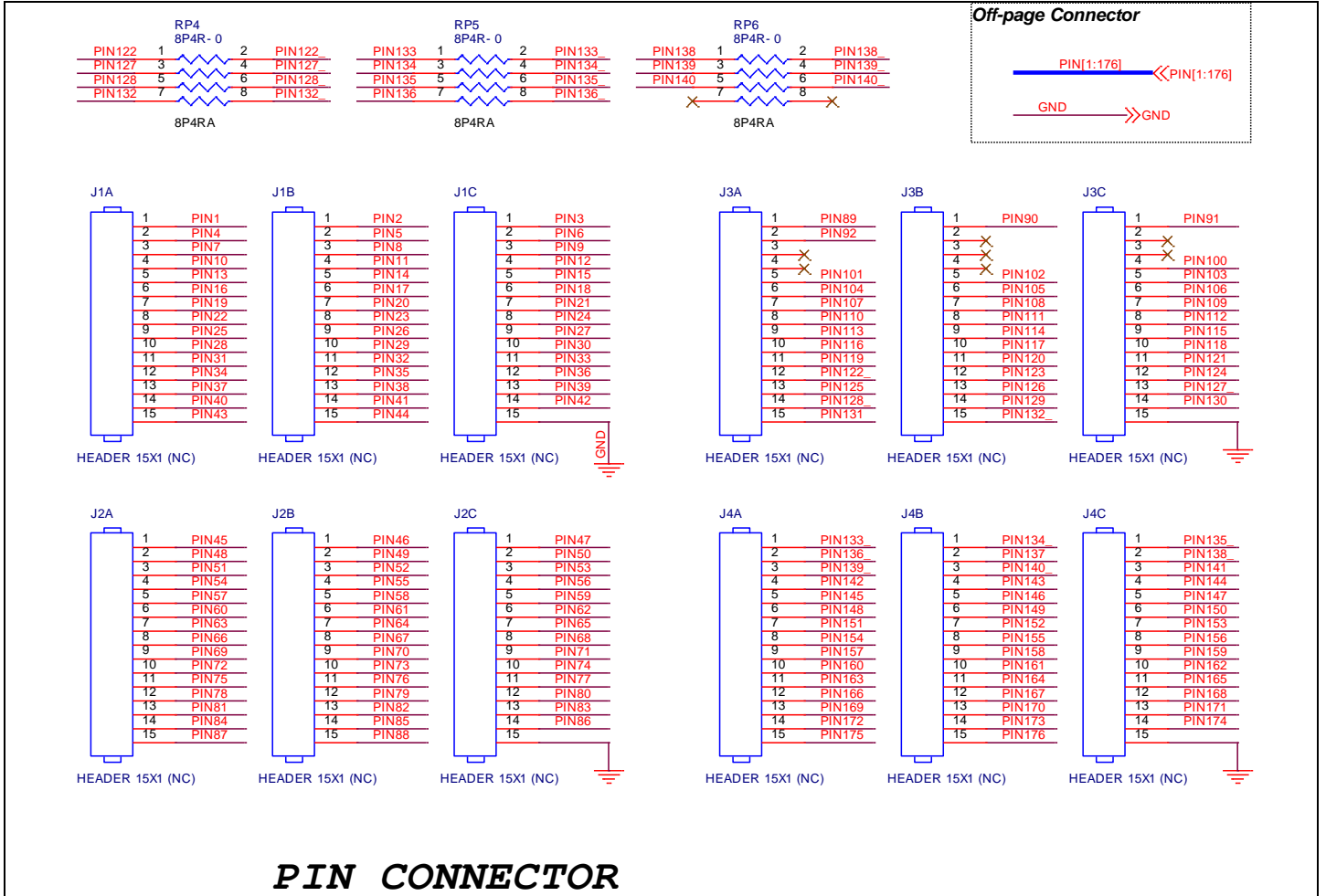


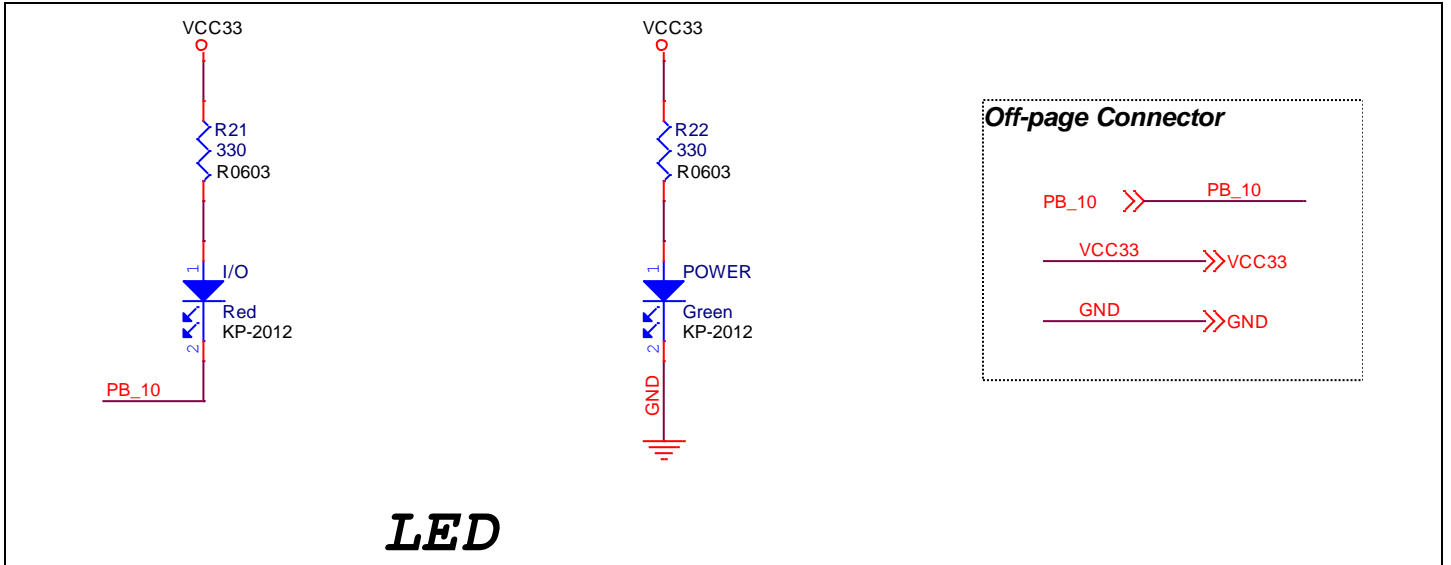
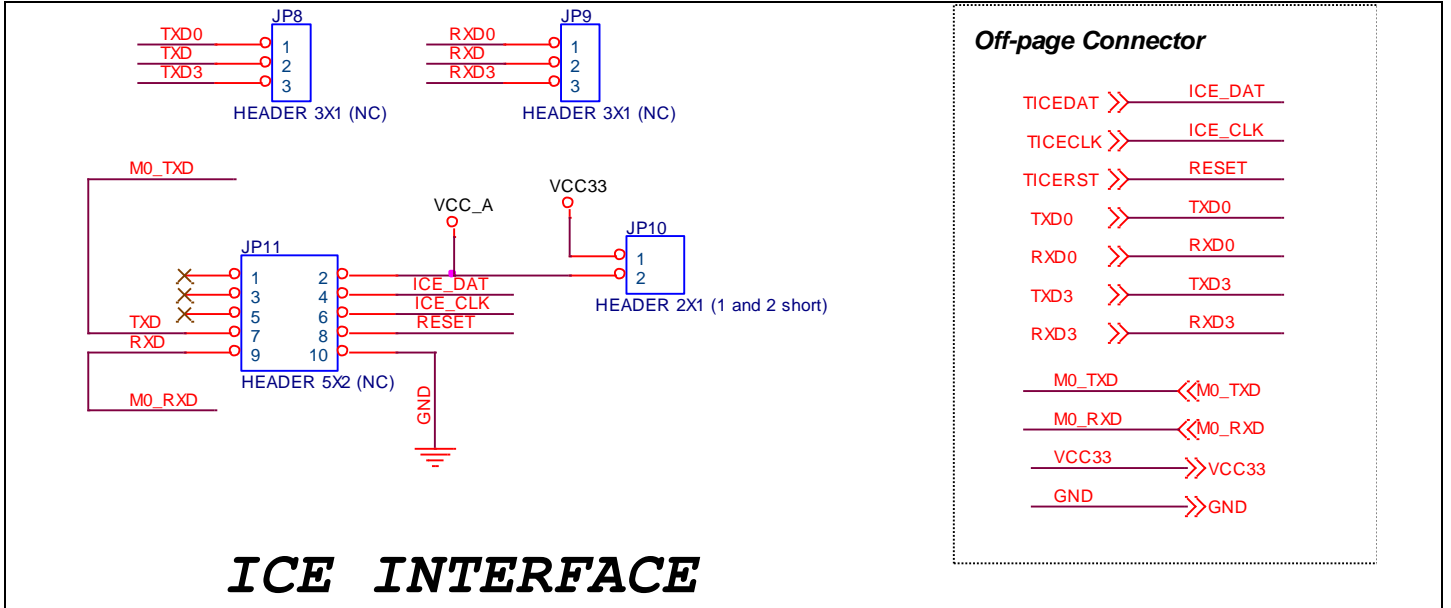






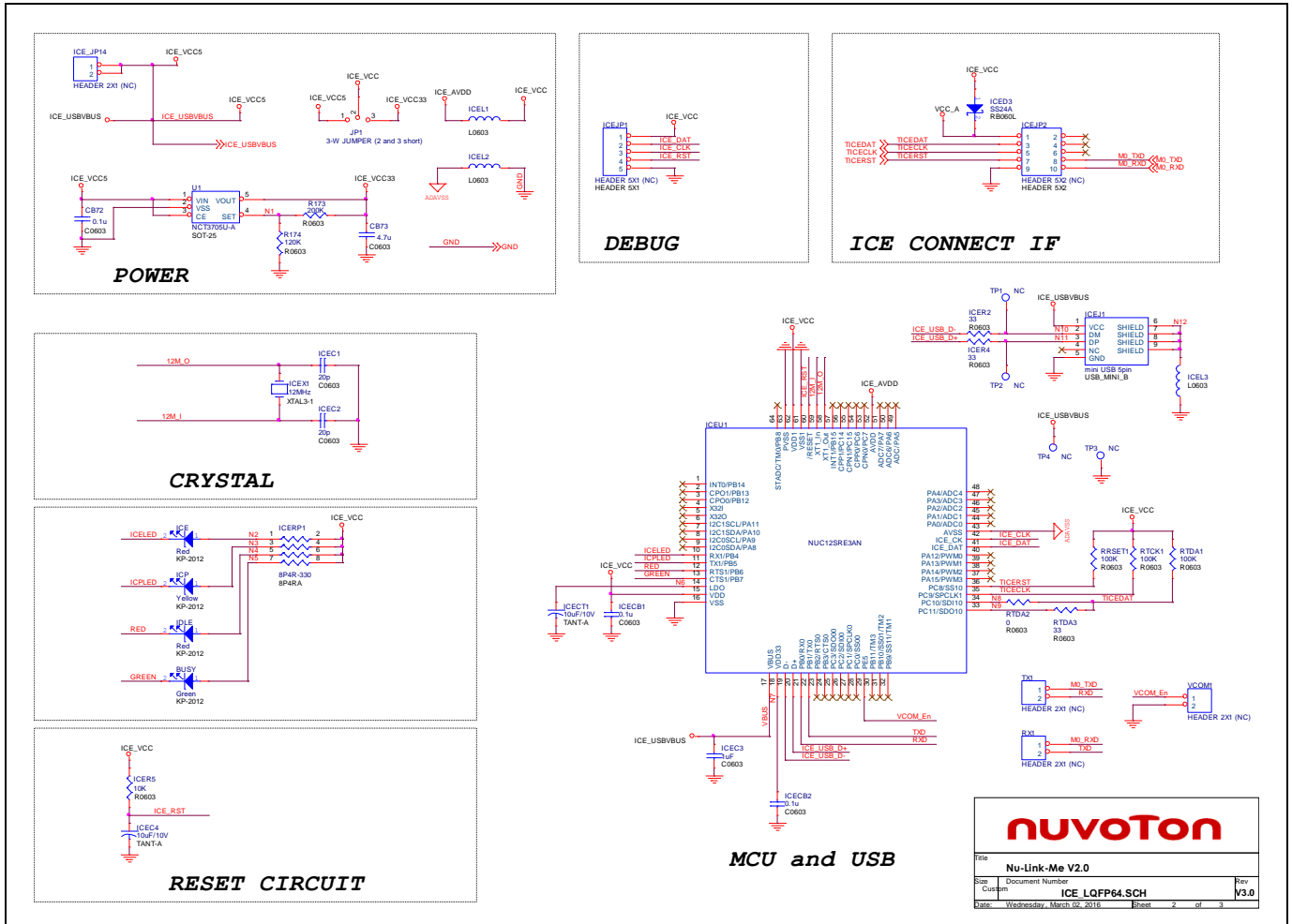








5.2 Nu-Link-Me Schematic





6 Downloading NuMicro™ Related Files from Nuvoton Website

6.1 Downloading NuMicro™ Keil μVision® IDE Driver

<p>Step1</p>	<p>Visit the Nuvoton NuMicro™ website: http://www.nuvoton.com/NuMicro.</p>
<p>Step2</p>	<p>The screenshot shows the Nuvoton website interface. A yellow oval labeled "2-1. Move to 'Support'" points to the "Support" link in the top navigation bar. Another yellow oval labeled "2-2. Click here to enter Tool & Software" points to the "Tool & Software" option in the dropdown menu that appears under "Support". The main content area displays a product matrix for ARM Cortex-M0 MCUs, categorized by core size (256K, 128K, 64K, 32K, 16K) and application type (Industrial Control, Low Power, USB Application, Automotive Application, Audio Application). Specific product models like NUC100, Nano120, NUC120, NUC230, NUC140, NUC130, M051, Nano102, Nano112, NUC122, NUC123, and Mini51 are shown. The right sidebar includes sections for "Online Support", "Featured Products", "Featured Videos", and "Featured Applications".</p>

Register | Login | Language

Search Parametric Search

News | Events | CSR | Human Resources | Investors | Contact Us | NuvoTon Partner

Products Applications Support Foundry Service Buy myNuvoTon About NuvoTon

Home > Support > Tool & Software > Development Tool Hardware

Development Tool Hardware

- Learning
- Product Related Information
- Tool & Software
 - Development Tool Hardware
 - Development Kit
 - Learning Board
 - Programmer
 - Software**
 - Third Party Tool
- Reference Design
- FAQ
- Sales Support
- Technical Support
- Forum

Click here to enter Software download page

Development

- Evaluation Board
- Customer Target Board
- NuTiny Board

Mass Production

- On-Line In Circuit Programming
 - Customer Target Board
- Off-Line In Circuit Programming
 - Customer Target Board
- IC Programming
 - Nuovton Gang Programmer
 - Third Party Writer

Upgrade

- In System Programming
 - nuvoTon ISP AP
- Through
 - UART
 - USB
 - I2C
 - SPI
 - CAN
 - I/O

NuMicro M4 MCU NUC472 with Ethernet MAC

Events

- Nuovton Technology Hosts 32-bit Cortex™-M4 Ether... 2014-05-02
- 2014Q1 Investor Conference 2014-04-24
- More...

News

- Nuovton Announces Monthly Revenue for May 2014 2014-06-06

Step4

Programmer Software Tools Package

File name	Description	Version	Date
ICP Programming Tool V1.25.6287.zip Revision History	NuMicro ICP tool & user manual	V1.25.6287	2014-01-16
ISP Programming Tool V1.44.zip Revision History	NuMicro ISP Programming Tool & user manual	V1.44	2014-01-20
NuGang Programmer V6.21.zip Revision History	NuMicro NuGang Programmer software & user manual	V6.21	2014-01-24

Nu-Link Driver

File name	Description	Version	Date
Nu-Link Driver for Keil RVMDK V1.25.6287.zip Revision History	This driver is to support Nu-Link to work under Keil RVMDK Development Environment for all NuMicro Family Devices.	V1.25.6287	2014-01-16
Nu-Link Driver for IAR EWARM V1.25.6287.zip Revision History	This driver is to support Nu-Link to work under IAR EWARM Development Environment for all NuMicro Family Devices.	V1.25.6287	2014-01-16

User Feedback ↑ TOP

Step5 Download the NuMicro™ Keil μVision® IDE driver.

6.2 Downloading NuMicro™ IAR EWARM Driver

<p>Step1</p>	<p>Visit the Nuvoton NuMicro™ website: http://www.nuvoton.com/NuMicro.</p>
<p>Step2</p>	<p>The screenshot shows the Nuvoton NuMicro website interface. A yellow oval labeled "2-1. Move to 'Support'" points to the "Support" link in the top navigation bar. Another yellow oval labeled "2-2. Click here to enter Tool & Software" points to the "Tool & Software" option in a dropdown menu that appears after clicking "Support". The dropdown menu also includes "Learning", "Product Related Information", "Reference Design", "FAQ", "Sales Support", "Technical Support", and "Forum". The main content area displays a grid of product series including AU9110, NUC220, NUC240, AU9120*, NUC100, Nano120, NUC120, NUC230, Nano110, NUC140, Nano100, NUC130, M051, NUC122, NUC123, Nano102, Nano112, and Mini51. The grid is organized by memory size (16K, 32K, 64K, 128K, 256K) and application type (Industrial Control, Low Power, USB Application, Automotive Application, Audio Application). On the right side, there are sections for "Online Support" (Online Training, Forum, FAQ), "Featured Products" (M0516LDE, MINI54FDE, NANO130KE3BN), "Featured Videos" (M0 Introduction(06:35)), and "Featured Applications".</p>

Register | Login | Language

Search Parametric Search

News | Events | CSR | Human Resources | Investors | Contact Us | NuvoTon Partner

Products Applications Support Foundry Service Buy myNuvoTon About NuvoTon

Home > Support > Tool & Software > Development Tool Hardware

Development Tool Hardware

- Learning
- Product Related Information
- Tool & Software
 - Development Tool Hardware
 - Development Kit
 - Learning Board
 - Programmer
 - Software**
 - Third Party Tool
- Reference Design
- FAQ
- Sales Support
- Technical Support
- Forum

Click here to enter Software download page

Development

- Evaluation Board
- Customer Target Board
- NuTiny Board

Mass Production

- On-Line In Circuit Programming
 - Customer Target Board
- Off-Line In Circuit Programming
 - Customer Target Board
- IC Programming
 - Nuovton Gang Programmer
 - Third Party Writer

Upgrade

- In System Programming
 - nuvoTon ISP AP
- Through
 - UART
 - USB
 - I2C
 - SPI
 - CAN
 - I/O

NuMicro M4 MCU NUC472 with Ethernet MAC

Events

- Nuovton Technology Hosts 32-bit Cortex™-M4 Ether... 2014-05-02
- 2014Q1 Investor Conference 2014-04-24
- More...

News

- Nuovton Announces Monthly Revenue for May 2014 2014-06-06

Step4	<i>Programmer Software Tools Package</i>																			
	<table border="1"> <thead> <tr> <th>File name</th> <th>Description</th> <th>Version</th> <th>Date</th> </tr> </thead> <tbody> <tr> <td> ICP Programming Tool V1.25.6287.zip Revision History </td> <td>NuMicro ICP tool & user manual</td> <td>V1.25.6287</td> <td>2014-01-16</td> </tr> <tr> <td> ISP Programming Tool V1.44.zip Revision History </td> <td>NuMicro ISP Programming Tool & user manual</td> <td>V1.44</td> <td>2014-01-20</td> </tr> <tr> <td> NuGang Programmer V6.21.zip Revision History </td> <td>NuGang Programmer software & user manual</td> <td>V6.21</td> <td>2014-01-24</td> </tr> </tbody> </table>				File name	Description	Version	Date	ICP Programming Tool V1.25.6287.zip Revision History	NuMicro ICP tool & user manual	V1.25.6287	2014-01-16	ISP Programming Tool V1.44.zip Revision History	NuMicro ISP Programming Tool & user manual	V1.44	2014-01-20	NuGang Programmer V6.21.zip Revision History	NuGang Programmer software & user manual	V6.21	2014-01-24
	File name	Description	Version	Date																
	ICP Programming Tool V1.25.6287.zip Revision History	NuMicro ICP tool & user manual	V1.25.6287	2014-01-16																
ISP Programming Tool V1.44.zip Revision History	NuMicro ISP Programming Tool & user manual	V1.44	2014-01-20																	
NuGang Programmer V6.21.zip Revision History	NuGang Programmer software & user manual	V6.21	2014-01-24																	
<i>Nu-Link Driver</i>																				
<table border="1"> <thead> <tr> <th>File name</th> <th>Description</th> <th>Version</th> <th>Date</th> </tr> </thead> <tbody> <tr> <td> Nu-Link Driver for Keil RVMDK V1.25.6287.zip Revision History </td> <td>This driver is to support Nu-Link to work under Keil RVMDK Development Environment for all NuMicro Family Devices.</td> <td>V1.25.6287</td> <td>2014-01-16</td> </tr> <tr> <td> Nu-Link Driver for IAR EWARM V1.25.6287.zip Revision History </td> <td>This driver is to support Nu-Link to work under IAR EWARM Development Environment for all NuMicro Family Devices.</td> <td>V1.25.6287</td> <td>2014-01-16</td> </tr> </tbody> </table>				File name	Description	Version	Date	Nu-Link Driver for Keil RVMDK V1.25.6287.zip Revision History	This driver is to support Nu-Link to work under Keil RVMDK Development Environment for all NuMicro Family Devices.	V1.25.6287	2014-01-16	Nu-Link Driver for IAR EWARM V1.25.6287.zip Revision History	This driver is to support Nu-Link to work under IAR EWARM Development Environment for all NuMicro Family Devices.	V1.25.6287	2014-01-16					
File name	Description	Version	Date																	
Nu-Link Driver for Keil RVMDK V1.25.6287.zip Revision History	This driver is to support Nu-Link to work under Keil RVMDK Development Environment for all NuMicro Family Devices.	V1.25.6287	2014-01-16																	
Nu-Link Driver for IAR EWARM V1.25.6287.zip Revision History	This driver is to support Nu-Link to work under IAR EWARM Development Environment for all NuMicro Family Devices.	V1.25.6287	2014-01-16																	

Click here to download the file.

Nu-Link Driver for IAR EWARM V1.25.6287.zip
 Revision History

User Feedback [↑ TOP](#)

Step5 Download the NuMicro™ IAR EWARM driver.

6.3 Downloading NuMicro™ NUC472 Series BSP Software Library

Step1 Visit the Nuvoton NuMicro™ website: <http://www.nuvoton.com/NuMicro>.

Step2

The screenshot shows the Nuvoton NuMicro website interface. At the top, there is a navigation bar with links for Register, Login, Language, and a search bar. Below this is a secondary navigation bar with links for Products, Applications, Support, Foundry Service, Buy, myNuvoton, and About Nuvoton. The 'Support' link is highlighted with a red dashed box and a yellow oval containing the text '2-1. Move to "Support"'. On the left side, there is a sidebar with a list of ARM Cortex™-M0 MCUs, including AU9110 Audio Series, M051 Base Series, NUC130/230 CAN Series, NUC140/240 Connectivity Series, Nano100/102 Base Series, Nano110/112 LCD Series, Nano120 USB Series, and Nano130 Advanced Series. The 'Tool & Software' link is highlighted with a red dashed box and a yellow oval containing the text '2-2. Click here to enter Tool & Software'. The main content area features a grid of product chips categorized by core size (16K, 32K, 64K, 128K, 256K) and application (Industrial Control, Low Power, USB Application, Automotive Application, Audio Application). The chips shown include Mini51, M051, Nano102, Nano112, Nano100, Nano110, Nano120, NUC100, NUC120, NUC122, NUC123, NUC130, NUC140, NUC230, NUC240, NUC220, AU9110, and AU9120*. A '* Developing' label is present at the bottom right of the grid. On the right side, there is a 'Featured Products' section listing M0516LDE, MINI54FDE, and NANO130KE3BN, and a 'Featured Videos' section listing 'M0 Introduction(06:35)'. At the bottom of the page, there is a small text: 'As one of the leading Microcontroller (MCU) companies in the world, Nuvoton provides the state-'

<p>Step3</p>	<p>The screenshot shows the NuvoTon website navigation. The breadcrumb trail is: Home > Support > Tool & Software > Development Tool Hardware. The left sidebar lists various support resources, with 'Software' highlighted by a red dashed box and a yellow callout bubble. The main content area is divided into three columns: 'Development', 'Mass Production', and 'Upgrade'. The 'Development' column includes links for Evaluation Board, Customer Target Board, and NuTiny Board, along with logos for KEIL and IAR. The 'Mass Production' column includes links for On-Line In Circuit Programming, Off-Line In Circuit Programming, and IC Programming. The 'Upgrade' column includes links for In System Programming and a list of protocols: UART, USB, I2C, SPI, CAN, and I/O. A banner for NuMicro M4 MCU NUC472 is visible on the right side of the page.</p>
	<p>Step4</p>



7 Revision History

Revision	Date	Description
1.02	March 01, 2016	<ol style="list-style-type: none"> 1. Corrected the MCU pin assignment 2. Modified the schematic and changed the part from IP101A to IP101GA
1.01	July 02, 2014	Update <i>section 6 Downloading NuMicro™ Related Files from Nuvoton Website</i> download path.
1.00	May 09, 2014	Initially release.

Important Notice

Nuvoton Products are neither intended nor warranted for usage in systems or equipment, any malfunction or failure of which may cause loss of human life, bodily injury or severe property damage. Such applications are deemed, "Insecure Usage".

Insecure usage includes, but is not limited to: equipment for surgical implementation, atomic energy control instruments, airplane or spaceship instruments, the control or operation of dynamic, brake or safety systems designed for vehicular use, traffic signal instruments, all types of safety devices, and other applications intended to support or sustain life.

All Insecure Usage shall be made at customer's risk, and in the event that third parties lay claims to Nuvoton as a result of customer's Insecure Usage, customer shall indemnify the damages and liabilities thus incurred by Nuvoton.

Please note that all data and specifications are subject to change without notice.
All the trademarks of products and companies mentioned in this datasheet belong to their respective owners.