



MPQ4425A

High Efficiency 1.5A, 36V, 2.2MHz,
Synchronous Step-Down LED Driver,
AEC-Q100 Qualified

DESCRIPTION

The MPQ4425A is a high-frequency, synchronous, rectified, step-down, switch-mode white LED driver with built-in power MOSFETs. It offers a very compact solution to achieve 1.5A of continuous output current with excellent load and line regulation over a wide input supply range. The MPQ4425A has synchronous mode operation to get high efficiency.

Current mode operation provides fast transient response and eases loop stabilization. Full protection features include over-current protection (OCP) and thermal shutdown (TSD).

The MPQ4425A requires a minimal number of readily available, standard external components, and is available in a space-saving QFN-13 (2.5mmx3mm) package.

FEATURES

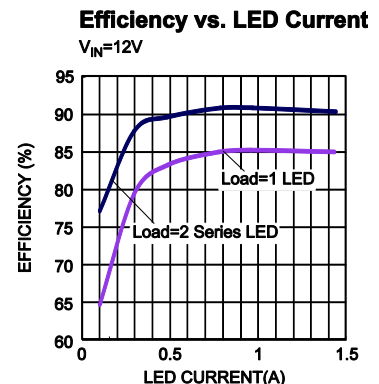
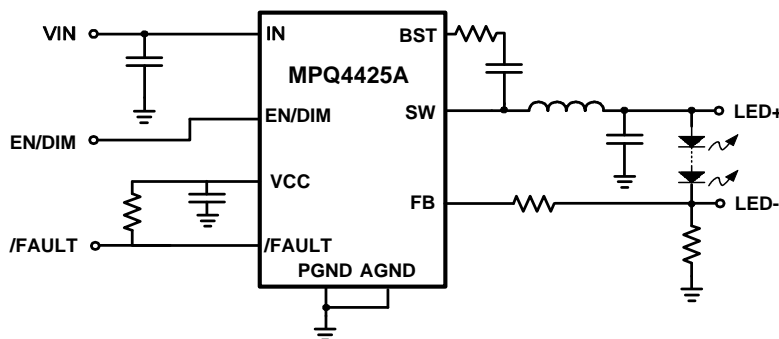
- Wide 4V to 36V Operating Input Range
- 85mΩ/50mΩ Low $R_{DS(ON)}$ Internal Power MOSFETs
- High-Efficiency Synchronous Mode Operation
- Default 2.2MHz Switching Frequency
- PWM Dimming (Min 100Hz Dimming Frequency)
- Forced CCM Mode
- 0.2V Reference Voltage
- Internal Soft Start
- Fault Indication for LED Short, Open, and Thermal Shutdown
- Over-Current Protection (OCP) with Valley Current Detection
- Thermal Shutdown
- CISPR25 Class 5 Compliant
- Available in a QFN-13 (2.5mmx3mm) Package
- Available in a Wettable Flank Package
- Available in AEC-Q100 Grade-1

APPLICATIONS

- Automotive LED Lighting

All MPS parts are lead-free, halogen free, and adhere to the RoHS directive. For MPS green status, visit the MPS website under Quality Assurance. "MPS", the MPS logo, and "Simple, Easy Solutions" are registered trademarks of Monolithic Power Systems, Inc. or its subsidiaries.

TYPICAL APPLICATION



ORDERING INFORMATION

| Part Number * | Package | Top Marking |
|---------------------|--------------------|------------------|
| MPQ4425AGQB | QFN-13 (2.5mmx3mm) | <i>See Below</i> |
| MPQ4425AGQB-AEC1 | | |
| MPQ4425AGQBE-AEC1** | QFN-13 (2.5mmx3mm) | <i>See Below</i> |

* For Tape & Reel, add suffix -Z (e.g. MPQ4425AGQB-Z).

** Wettable flank.

TOP MARKING (MPQ4425AGQB&MPQ4425AGQB-AEC1)

BDU

YWW

LLL

BDU: Product code of MPQ4425AGQB&MPQ4425AGQB-AEC1

Y: Year code

WW : Week code

LLL: Lot number

TOP MARKING (MPQ4425AGQBE-AEC1)

BDX

YWW

LLL

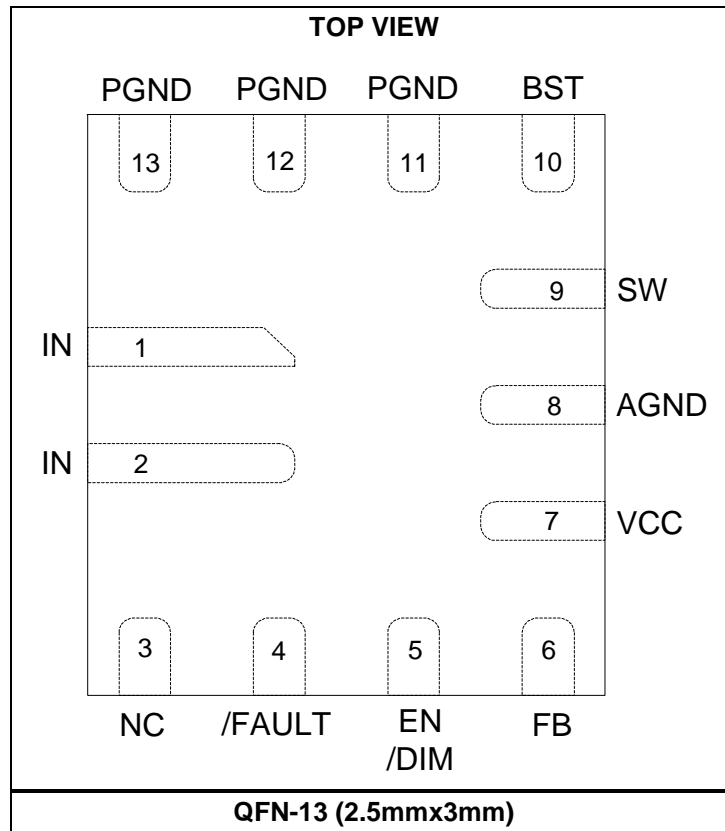
BDX: Product code of MPQ4425AGQBE-AEC1

Y: Year code

WW : Week code

LLL: Lot number

PACKAGE REFERENCE



PIN FUNCTIONS

| Pin # | Name | Description |
|------------|--------|---|
| 1, 2 | IN | Supply voltage. The MPQ4425A operates from a 4V to 36V input rail. Requires C _{IN} to decouple the input rail. Connect using a wide PCB trace. |
| 3 | NC | Do not connect. |
| 4 | /FAULT | Fault indicator. Open-drain output. This pin is pulled low when an LED short, open, or thermal shutdown occurs. |
| 5 | EN/DIM | Enable/dimming control. Pull EN high to enable the MPQ4425A. Apply a 100Hz to 2kHz external clock to the EN/DIM pin for the PWM dimming. |
| 6 | FB | LED current feedback input. |
| 7 | VCC | Internal bias supply. Decouple VCC with a 0.1μF to 0.22μF capacitor. The capacitance should not exceed 0.22μF. |
| 8 | AGND | Analog ground. Reference ground of the logic circuit. AGND is connected to PGND internally. There is no need to add external connections to PGND. |
| 9 | SW | Switch output. Connect using a wide PCB trace. |
| 10 | BST | Bootstrap. Requires a capacitor connected between the SW and BST pins to form a floating supply across the high-side switch driver. A 20Ω resistor placed between SW and the BST capacitor is strongly recommended to reduce SW spike voltage. |
| 11, 12, 13 | PGND | Power ground. PGND is the reference ground of the power device, and requires careful consideration during PCB layout. For best results, connect PGND with copper pours and vias. |

ABSOLUTE MAXIMUM RATINGS ⁽¹⁾

| | |
|---|---------------------------------|
| Supply voltage (V _{IN}) | -0.3V to +40V |
| Switch voltage (V _{SW}) | -0.3V to V _{IN} + 0.3V |
| BST voltage (V _{BST}) | V _{SW} + 6V |
| All other pins | -0.3V to +6V ⁽²⁾ |
| Continuous power dissipation (T _A = 25°C) ⁽³⁾ | |
| QFN-13 (2.5mmx3mm) | 2.08W |
| Junction temperature | 150°C |
| Lead temperature | 260°C |
| Storage temperature | -65°C to +150°C |

Recommended Operating Conditions

| | |
|---|-----------------|
| Supply voltage (V _{IN}) | 4V to 36V |
| LED current (I _{LED}) | Up to 1.5A |
| Operating junction temp (T _J) | -40°C to +125°C |

| | | |
|--|-----------------------|-----------------------|
| Thermal Resistance ⁽⁴⁾ | θ_{JA} | θ_{JC} |
| QFN-13 (2.5mmx3mm) | 60 | 13... °C/W |

Notes:

- 1) Absolute maximum ratings are rated under room temperature unless otherwise noted. Exceeding these ratings may damage the device.
- 2) About the details of EN/DIM pin's ABS MAX rating, refer to the Enable Control section on page 12.
- 3) The maximum allowable power dissipation is a function of the maximum junction temperature T_J (MAX), the junction-to-ambient thermal resistance θ_{JA}, and the ambient temperature T_A. The maximum allowable continuous power dissipation at any ambient temperature is calculated by P_D (MAX) = (T_J (MAX) - T_A) / θ_{JA}. Exceeding the maximum allowable power dissipation will cause excessive die temperature, and the regulator will go into thermal shutdown. Internal thermal shutdown circuitry protects the device from permanent damage.
- 4) Measured on JESD51-7, 4-layer PCB.

ELECTRICAL CHARACTERISTICS

$V_{IN} = 12V$, $V_{EN} = 2V$, $T_J = -40^{\circ}C$ to $+125^{\circ}C$, typical values are at $T_J = 25^{\circ}C$, unless otherwise noted.

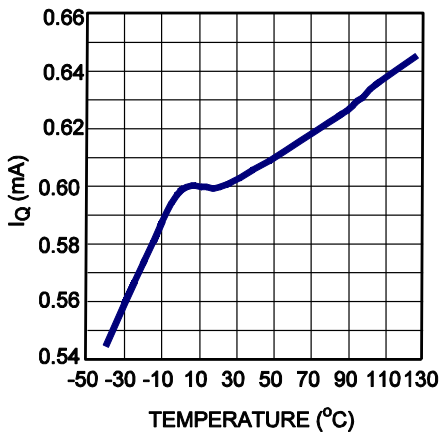
| Parameter | Symbol | Condition | Min | Typ | Max | Units |
|--|-------------------|--|------|------|------|-------------|
| Supply current (shutdown) | I_{IN} | $V_{EN} = 0V$ | | 12 | | μA |
| Supply current (quiescent) | I_Q | $V_{EN} = 2V$, $V_{FB} = 1V$, no switching | | 0.6 | 0.8 | mA |
| HS switch on resistance | HS_{RDS-ON} | $V_{BST-SW} = 5V$ | | 85 | 150 | m Ω |
| LS switch on resistance | LS_{RDS-ON} | $V_{CC} = 5V$ | | 50 | 105 | m Ω |
| Switch leakage | SW_{LKG} | $V_{EN} = 0V$, $V_{SW} = 12V$ | | | 1 | μA |
| Current limit ⁽⁵⁾ | I_{LIMIT} | Under 40% duty cycle | 2.5 | 4 | 5.5 | A |
| Reverse current limit | | | | 1.2 | | A |
| Oscillator frequency | f_{SW} | $V_{FB} = 100mV$ | 1800 | 2200 | 2600 | kHz |
| Maximum duty cycle | D_{MAX} | $V_{FB} = 100mV$ | 80 | 87 | | % |
| Minimum on time ⁽⁵⁾ | TON_{MIN} | | | 46 | | ns |
| Feedback voltage | V_{FB} | $T_J = 25^{\circ}C$ | 192 | 200 | 208 | mV |
| | | $T_J = -40^{\circ}C$ to $+125^{\circ}C$ | 184 | 200 | 216 | |
| Feedback current | I_{FB} | $V_{FB} = 250mV$ | | 30 | 100 | nA |
| EN rising threshold | V_{EN_RISING} | | 1.1 | 1.45 | 1.8 | V |
| EN falling threshold | $V_{EN_FALLING}$ | | 0.7 | 1 | 1.3 | V |
| EN threshold hysteresis | V_{EN_HYS} | | | 450 | | mV |
| EN input current | I_{EN} | $V_{EN} = 2V$ | | 5 | 10 | μA |
| | | $V_{EN} = 0$ | | 0 | 0.2 | μA |
| EN turn-off delay | EN_{td-off} | | 10 | 25 | 50 | ms |
| VIN under-voltage lockout rising threshold | $INUV_{Vth}$ | | 3.2 | 3.5 | 3.8 | V |
| VIN under-voltage lockout falling threshold | | | 2.8 | 3.1 | 3.5 | V |
| VIN under-voltage lockout hysteresis threshold | $INUV_{HYS}$ | | | 400 | | mV |
| Over-voltage detection (/FAULT pulled low) | FT_{Vth-Hi} | | | 140% | | V_{FB} |
| Over-voltage detection hysteresis | | | | 20% | | V_{FB} |
| /FAULT delay | FT_{Td} | | | 10 | | μs |
| /FAULT sink current capability | V_{FT} | Sink 4mA | | | 0.4 | V |
| /FAULT leakage current | $I_{FT-LEAK}$ | | | | 100 | nA |
| VCC regulator | V_{CC} | $I_{CC} = 0mA$ | 4.6 | 4.9 | 5.2 | V |
| VCC load regulation | | $I_{CC} = 5mA$ | | 1.5 | 4 | % |
| Soft-start time ⁽⁵⁾ | t_{SS} | $I_{LED} = 1.5A$, $L = 2.2\mu H$, load = 2 series LED, I_{LED} from 10% to 90% | | 0.9 | | ms |
| Thermal shutdown ⁽⁵⁾ | | | 150 | 170 | | $^{\circ}C$ |
| Thermal hysteresis ⁽⁵⁾ | | | | 30 | | $^{\circ}C$ |

Note:

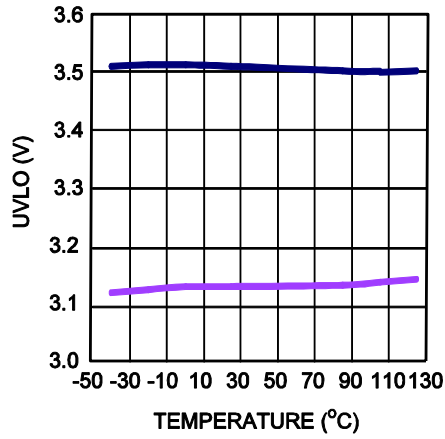
5) Not tested in production. Guaranteed by design and characterization.

TYPICAL CHARACTERISTICS

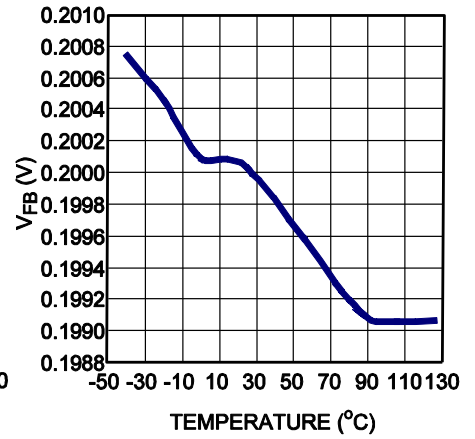
I_Q vs. Temperature



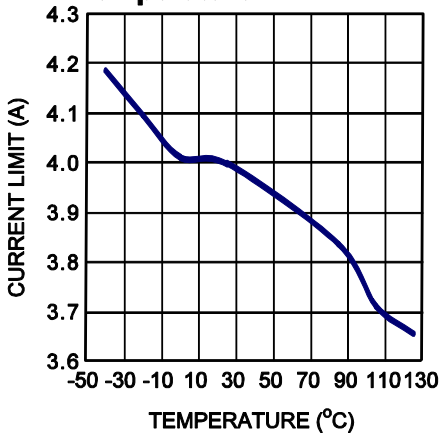
V_{IN} UVLO vs. Temperature



V_{FB} vs. Temperature

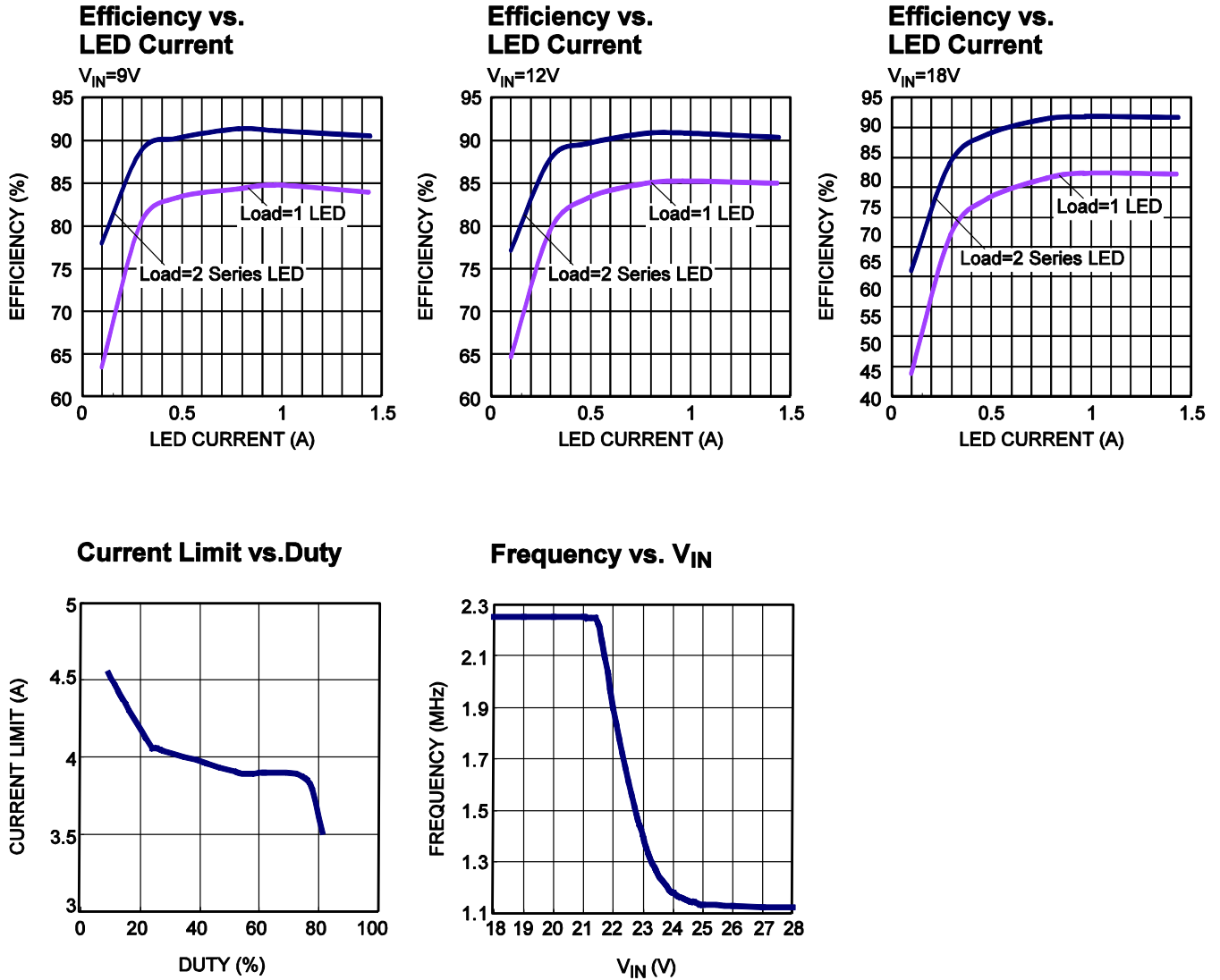


Current Limit vs. Temperature

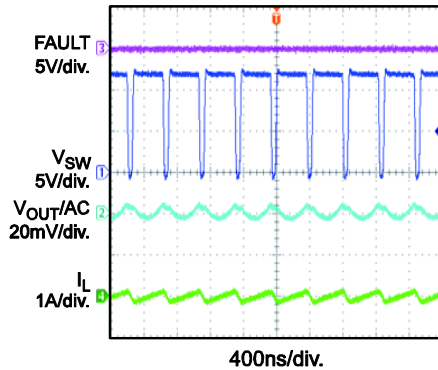
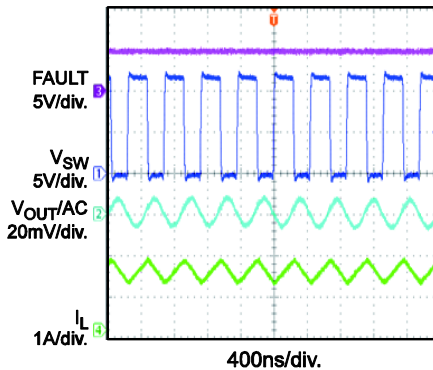
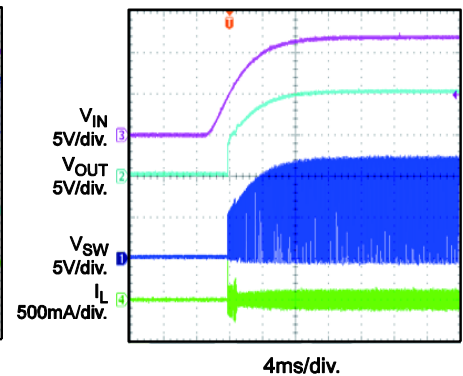
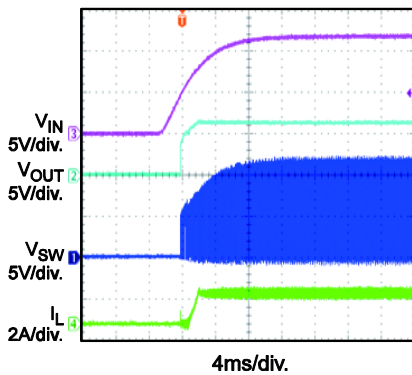
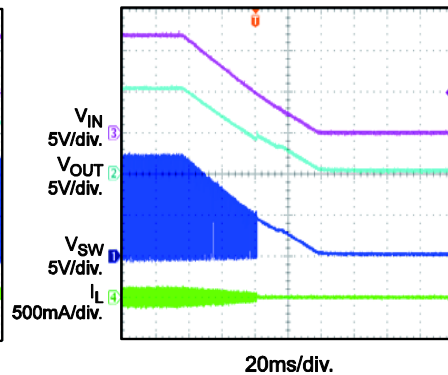
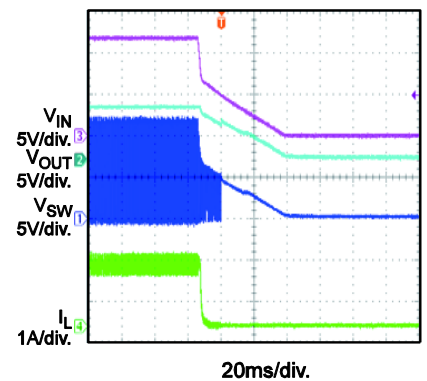
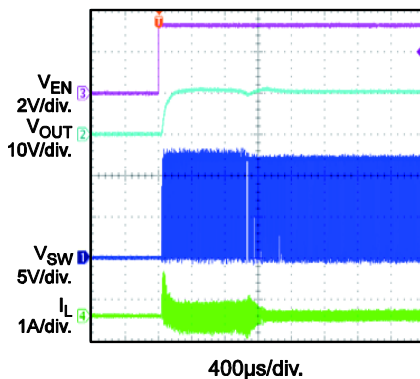
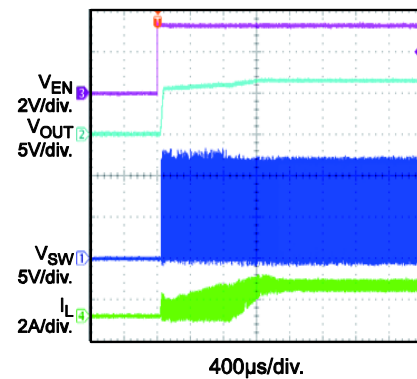
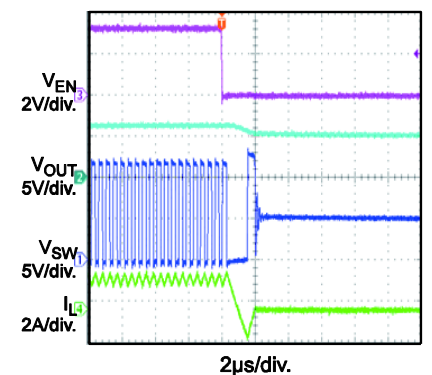


TYPICAL PERFORMANCE CHARACTERISTICS

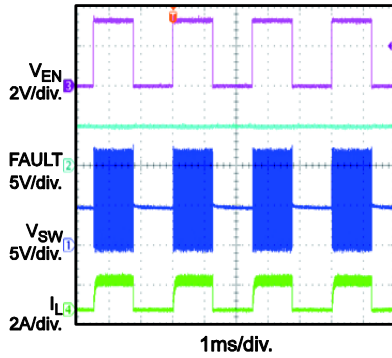
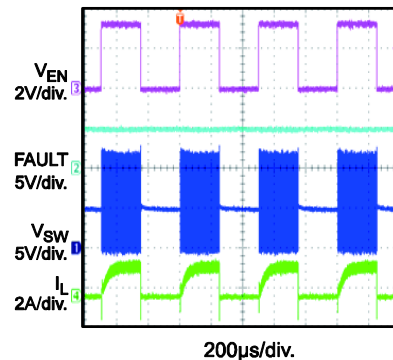
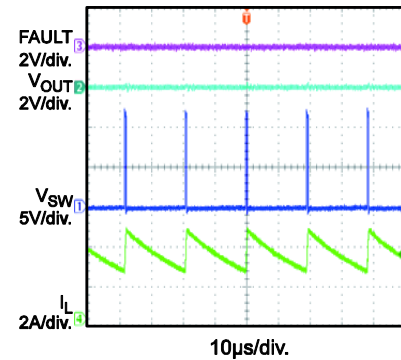
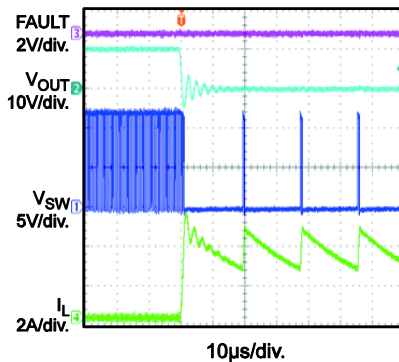
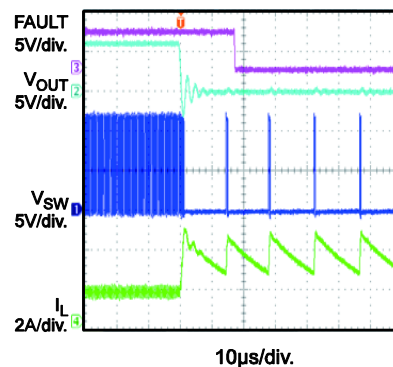
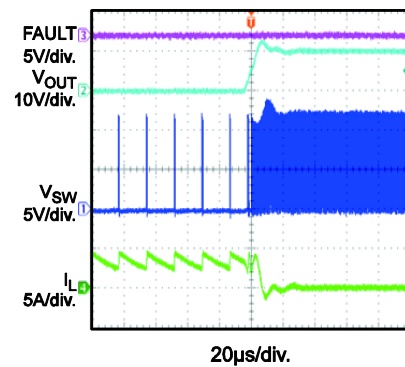
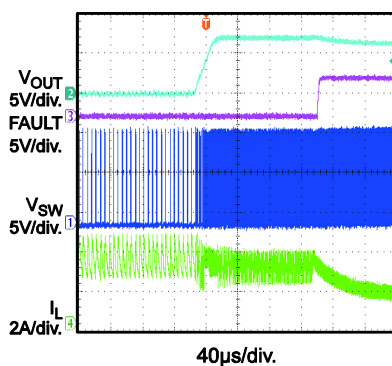
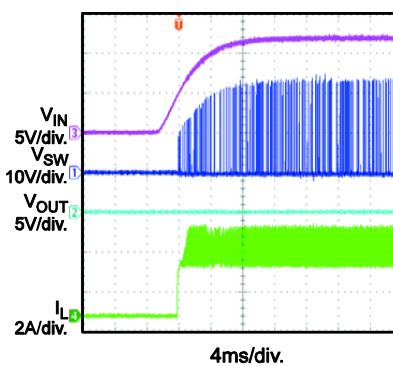
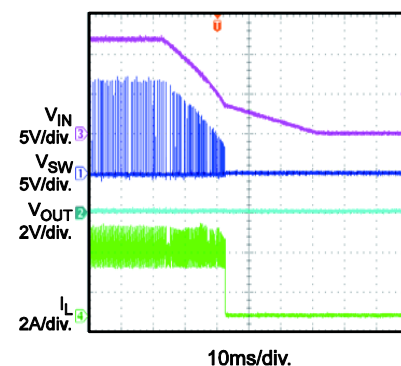
$V_{IN} = 12V$, LOAD = 2 series LED, $L = 2.2\mu H$, $f_{SW} = 2.2MHz$, $T_A = 25^\circ C$, unless otherwise noted.



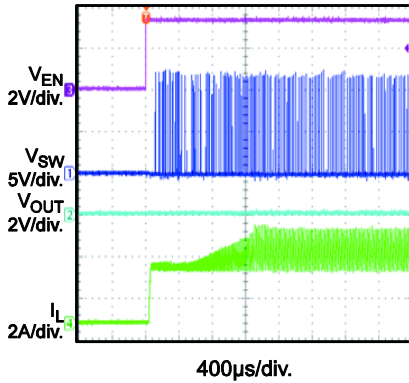
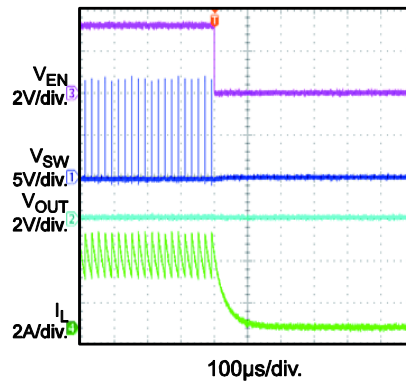
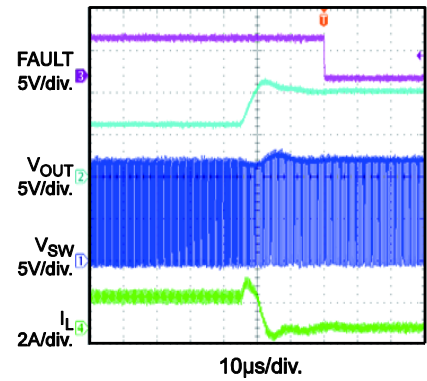
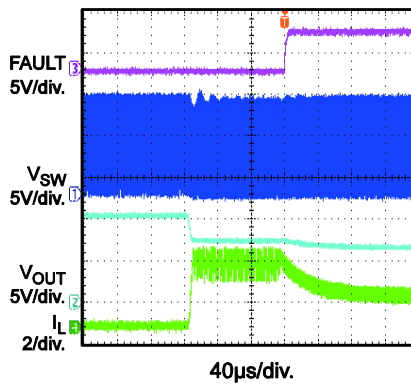
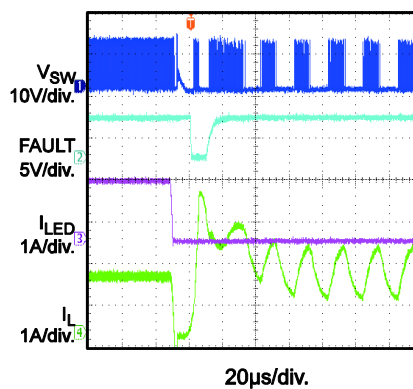
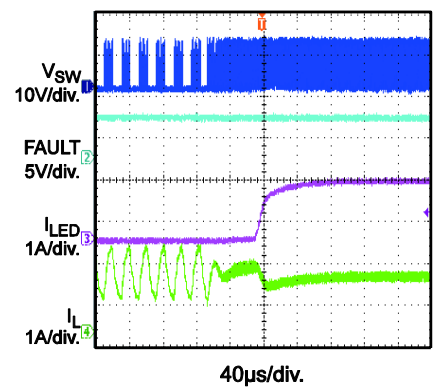
TYPICAL PERFORMANCE CHARACTERISTICS (continued)
 $V_{IN} = 12V$, LOAD = 2 series LED, $L = 2.2\mu H$, $f_{sw} = 2.2MHz$, $T_A = 25^\circ C$, unless otherwise noted.

Steady State
 $I_{LED} = 0A$

Steady State
 $I_{LED} = 1.5A$

Start-Up through V_{IN}
 $I_{LED} = 0A$

Start-Up through V_{IN}
 $I_{LED} = 1.5A$

Shutdown through V_{IN}
 $I_{LED} = 0A$

Shutdown through V_{IN}
 $I_{LED} = 1.5A$

Start-Up through EN
 $I_{LED} = 0A$

Start-Up through EN
 $I_{LED} = 1.5A$

Shutdown through EN
 $I_{LED} = 1.5A$


TYPICAL PERFORMANCE CHARACTERISTICS (continued)
 $V_{IN} = 12V$, LOAD = 2 series LED, $L = 2.2\mu H$, $f_{sw} = 2.2MHz$, $T_A = 25^\circ C$, unless otherwise noted.

PWM Dimming
400Hz

PWM Dimming
2kHz

LED+ Short to GND
Steady State

LED+ Short to GND Entry
 $I_{LED} = 0A$

LED+ Short to GND Entry
 $I_{LED} = 1.5A$

LED+ Short to GND Recovery
 $I_{LED} = 0A$

LED+ Short to GND Recovery
 $I_{LED} = 1.5A$

LED+ Short to GND
Input Power On

LED+ Short to GND
Input Power Off


TYPICAL PERFORMANCE CHARACTERISTICS (continued)
 $V_{IN} = 12V$, LOAD = 2 series LED, $L = 2.2\mu H$, $f_{sw} = 2.2MHz$, $T_A = 25^\circ C$, unless otherwise noted.

LED+ Short to GND EN On

LED+ Short to GND EN Off

LED Open Entry

LED Open Recovery

LED+ and LED- Short Entry

LED+ and LED- Short Recovery


FUNCTIONAL BLOCK DIAGRAM

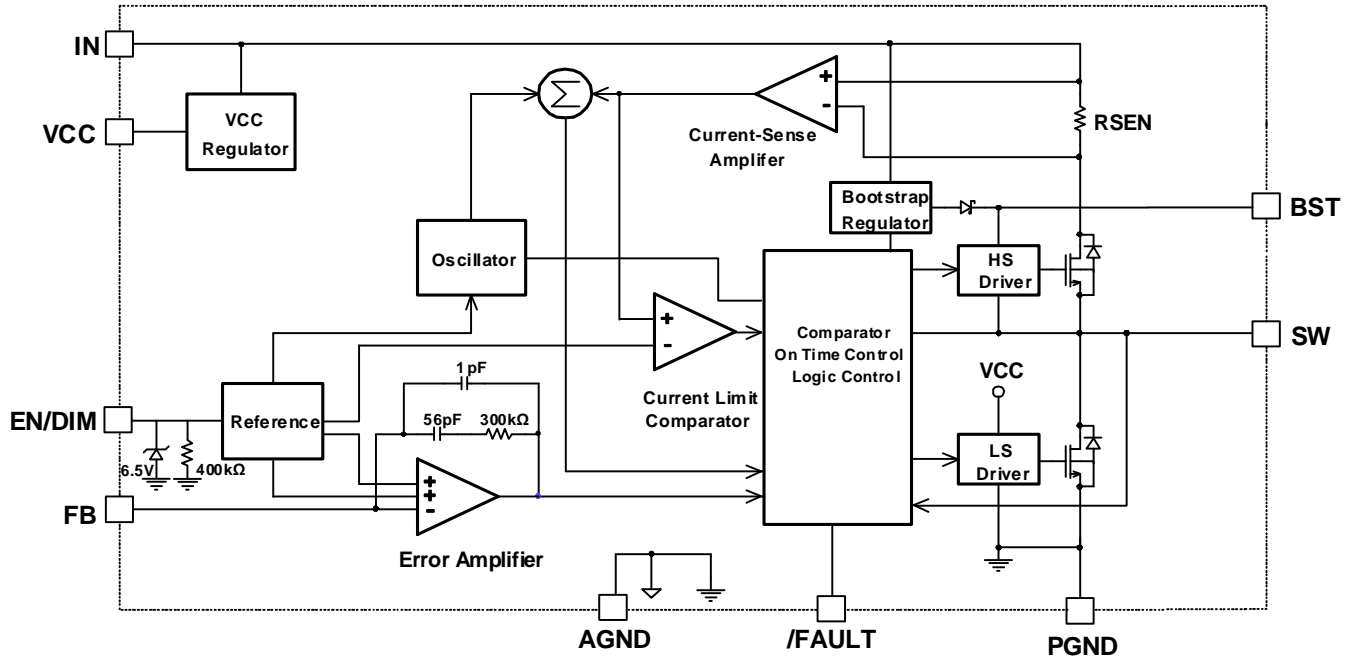


Figure 1: Functional Block Diagram

OPERATION

The MPQ4425A is a high-frequency, synchronous, rectified, step-down, switch-mode white LED driver with built-in power MOSFETs. It offers a very compact solution to achieve 1.5A of continuous output current with excellent load and line regulation over a 4V to 36V input supply range.

The MPQ4425A operates in fixed-frequency, peak current control mode to regulate the output current. An internal clock initiates a PWM cycle. The integrated high-side power MOSFET turns on and remains on until its current reaches the value set by the COMP voltage (V_{COMP}). When the power switch is off, it remains off until the next clock cycle starts. If the current in the power MOSFET does not reach the current value set by V_{COMP} within 87% of one PWM period, the power MOSFET is forced off.

Internal Regulator

The 4.9V internal regulator powers most of the internal circuitries. This regulator takes V_{IN} and operates in the full V_{IN} range. When V_{IN} exceeds 4.9V, the output of the regulator is in full regulation. When V_{IN} falls below 4.9V, the output decreases following V_{IN} . A 0.1 μ F ceramic decoupling capacitor is needed at VCC.

CCM Operation

The MPQ4425A uses continuous conduction mode (CCM) to ensure that the part works with fixed frequency across a no-load to full-load range. The advantage of CCM is the controllable frequency and lower output ripple at light load.

Frequency Foldback

The MPQ4425A enters frequency foldback when the input voltage is greater than about 21V. Then, the frequency decreases to half the nominal value and changes to 1.1MHz.

Frequency foldback also occurs during soft start and short-circuit protection.

Error Amplifier (EA)

The error amplifier compares the FB pin voltage to the internal 0.2V reference (V_{REF}) and outputs a current proportional to the difference

between the two. This output current then charges or discharges the internal compensation network to form V_{COMP} , which controls the power MOSFET current. The optimized internal compensation network minimizes the external component counts and simplifies the control loop design.

Enable Control (EN)

EN/DIM is a control pin that turns the regulator on and off. Drive EN/DIM high to turn on the regulator. Drive it low to turn the regulator off. An internal 400k Ω resistor from EN/DIM to GND allows EN/DIM to be floated to shut down the chip.

EN/DIM is clamped internally using a 6.5V series Zener diode (see Figure 2). Connect the EN/DIM input to the voltage on V_{IN} through a pull-up resistor to limit the EN input current to less than 100 μ A. For example, with 12V connected to V_{IN} , $R_{PULLUP} \geq (12V - 6.5V) \div 100\mu A = 55k\Omega$.

Connecting EN/DIM to a voltage source directly without a pull-up resistor requires limiting the amplitude of the voltage source to $\leq 6V$ to prevent damage to the Zener diode.

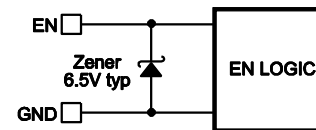


Figure 2: 6.5V Zener Diode Connection

Driving EN/DIM low for longer than 25ms will shut down the IC.

PWM Dimming

Apply an external 100Hz to 2kHz PWM waveform to EN/DIM for PWM dimming. The average LED current is proportional to the PWM duty. The minimum amplitude of the PWM signal is 1.8V. If the dimming signal is applied before the chip starts up, the dimming signal's on time must be longer than 2ms to ensure soft start finishes, so the output current can be built. If the dimming signal is applied after soft start finishes, this 2ms limit is not required.

Under-Voltage Lockout (UVLO)

Under-voltage lockout (UVLO) protects the chip from operating at an insufficient supply voltage. The UVLO comparator monitors the output voltage of the internal regulator (VCC).

Internal Soft Start (SS)

Soft start (SS) prevents the converter output voltage from overshooting during start-up. When the chip starts up, the internal circuitry generates a soft-start voltage (V_{SS}). When V_{SS} is below the internal reference (V_{REF}), V_{SS} overrides V_{REF} , so the error amplifier uses V_{SS} as the reference. When V_{SS} exceeds V_{REF} , the error amplifier uses V_{REF} as the reference.

Fault Indicator

The MPQ4425A has fault indication. The /FAULT pin is the open drain of a MOSFET. It should be connected to VCC or some other voltage source through a resistor (e.g. 100k Ω). /FAULT is pulled high at normal operation. An LED short, open, or thermal shutdown will pull down this pin to indicate a fault status.

Over-Current Protection (OCP)

The MPQ4425A has cycle-by-cycle peak current limit protection with valley-current detection. The inductor current is monitored during the high-side MOSFET (HS-FET) on-state. If the inductor current exceeds the current-limit value set by the COMP high-clamp voltage, the HS-FET turns off immediately. Then the low-side MOSFET (LS-FET) turns on to discharge the energy, and the inductor current decreases. The HS-FET remains off unless the inductor valley current is below a certain current threshold (the valley current limit), even though the internal clock pulses high. If the inductor current does not drop below the valley current limit when the internal clock pulses high, the HS-FET misses the clock, and the switching frequency decreases to half the nominal value. Both the peak and valley current limits assist in keeping the inductor current from running away during an overload or short-circuit condition.

Thermal Shutdown (TSD)

Thermal shutdown prevents the chip from operating at exceedingly high temperatures. When the die temperature exceeds 170°C, the

entire chip shuts down. When the temperature drops below its lower threshold (typically 140°C), the chip is enabled again.

Floating Driver and Bootstrap Charging

An external bootstrap capacitor powers the floating power MOSFET driver. This floating driver has its own UVLO protection, with a rising threshold of 2.2V and hysteresis of 150mV. The bootstrap capacitor voltage is regulated internally by V_{IN} through D1, M1, C3, L1, and C4 (see Figure 3). If $(V_{IN} - V_{SW})$ exceeds 5V, U1 regulates M1 to maintain a 5V BST voltage across C4.

As long as V_{IN} is sufficiently higher than SW, the bootstrap capacitor can be charged. When the HS-FET is on, $V_{IN} \approx V_{SW}$, so the bootstrap capacitor cannot be charged. When the LS-FET is on, $V_{IN} - V_{SW}$ reaches its maximum for fast charging. When there is no inductor current, $V_{SW} = V_{OUT}$, so the difference between V_{IN} and V_{OUT} can charge the bootstrap capacitor. A 20 Ω resistor placed between SW and the BST capacitor is strongly recommended to reduce SW spike voltage.

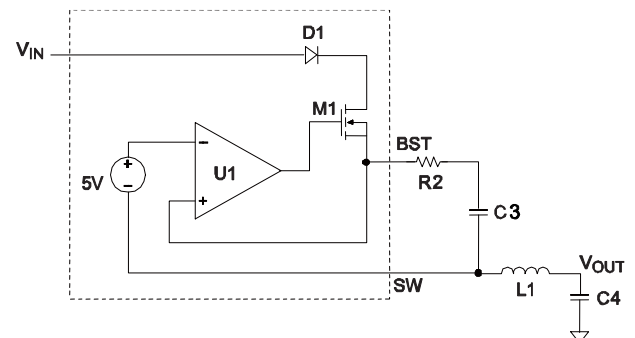


Figure 3: Internal Bootstrap Charging Circuit

Start-Up and Shutdown

If both V_{IN} and EN exceed their appropriate thresholds, the chip starts up. The reference block starts first, generating a stable reference voltage and current, and then the internal regulator is enabled. The regulator provides a stable supply for the remaining circuitries.

Three events can shut down the chip: V_{IN} low, EN low, and thermal shutdown. During the shutdown procedure, the signaling path is first blocked to avoid any fault triggering. V_{COMP} and the internal supply rail are then pulled down. The floating driver is not subject to this shutdown command.

APPLICATION INFORMATION

Setting the Output Current

The output current is set by the external resistor R_{FB} (see Figure 4). The feedback reference voltage is 0.2V, and I_{LED} is calculated with Equation (1):

$$I_{LED} = \frac{0.2V}{R_{FB}} \quad (1)$$

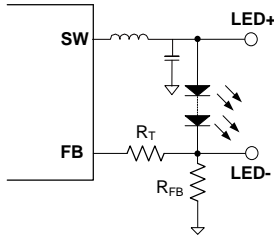


Figure 4: Feedback Network

R_T is used to set the loop bandwidth. The lower the value of R_T , the higher the bandwidth. High bandwidth may cause insufficient phase margin, resulting in loop instability. Therefore, a proper R_T value is needed to make a tradeoff between the bandwidth and phase margin. Table 1 lists recommended feedback resistor and R_T values for common outputs with 1 or 2 series LED.

Table 1: Resistor Values for Common Outputs

| I_{LED} (A) | R_{FB} (m Ω) | R_T (k Ω) |
|---------------|------------------------|---------------------|
| 0.5 | 400 (1%) | 200 (1%) |
| 1 | 200 (1%) | 150 (1%) |
| 1.5 | 133 (1%) | 100 (1%) |

Selecting the Input Capacitor

The step-down converter has a discontinuous input current, and requires a capacitor to supply the AC current to the converter while maintaining the DC input voltage. For the best performance, use low-ESR capacitors. Ceramic capacitors with X5R or X7R dielectrics are highly recommended because of their low ESR and small temperature coefficients.

For most applications, use a 4.7 μ F to 10 μ F capacitor. It is strongly recommended to use another, lower-value capacitor (e.g. 0.1 μ F) with a small package size (0603) to absorb high-frequency switching noise. Be sure to place the small capacitor as close to the IN and GND pins as possible.

Since C_{IN} absorbs the input switching current, it requires an adequate ripple current rating. The RMS current in the input capacitor can be estimated with Equation (2):

$$I_{CIN} = I_{LED} \times \sqrt{\frac{V_{OUT}}{V_{IN}} \times \left(1 - \frac{V_{OUT}}{V_{IN}}\right)} \quad (2)$$

The worst-case scenario occurs at $V_{IN} = 2V_{OUT}$, calculated with Equation (3):

$$I_{CIN} = \frac{I_{LED}}{2} \quad (3)$$

For simplification, choose an input capacitor with an RMS current rating greater than half of the maximum load current.

The input capacitor can be electrolytic, tantalum, or ceramic. When using electrolytic or tantalum capacitors, add a small, high-quality ceramic capacitor (e.g. 0.1 μ F) as close to the IC as possible. When using ceramic capacitors, ensure that they have enough capacitance to provide a sufficient charge to prevent excessive voltage ripple at input. The input voltage ripple caused by the capacitance can be estimated with Equation (4):

$$\Delta V_{IN} = \frac{I_{LED}}{f_{SW} \times C_{IN}} \times \frac{V_{OUT}}{V_{IN}} \times \left(1 - \frac{V_{OUT}}{V_{IN}}\right) \quad (4)$$

Selecting the Output Capacitor

The output capacitor maintains the DC output voltage. Use ceramic, tantalum, or low-ESR electrolytic capacitors. For best results, use low-ESR capacitors to keep the output voltage ripple low. The output voltage ripple can be estimated with Equation (5):

$$\Delta V_{OUT} = \frac{V_{OUT}}{f_{SW} \times L} \cdot \left(1 - \frac{V_{OUT}}{V_{IN}}\right) \cdot \left(R_{ESR} + \frac{1}{8f_{SW} \times C_{OUT}}\right) \quad (5)$$

Where L is the inductor value and R_{ESR} is the equivalent series resistance (ESR) value of the output capacitor.

For ceramic capacitors, the capacitance dominates the impedance at the switching frequency, and causes the majority of the output voltage ripple. For simplification, the output voltage ripple can be estimated with Equation (6):

$$\Delta V_{OUT} = \frac{V_{OUT}}{8 \times f_{SW}^2 \times L \times C_{OUT}} \times \left(1 - \frac{V_{OUT}}{V_{IN}}\right) \quad (6)$$

For tantalum or electrolytic capacitors, the ESR dominates the impedance at the switching frequency. For simplification, the output ripple can be estimated with Equation (7):

$$\Delta V_{OUT} = \frac{V_{OUT}}{f_{SW} \times L} \times \left(1 - \frac{V_{OUT}}{V_{IN}}\right) \times R_{ESR} \quad (7)$$

The characteristics of the output capacitor also affect the stability of the regulation system. The MPQ4425A can be optimized for a wide range of capacitance and ESR values.

Selecting the Inductor

A 1μH to 10μH inductor with a DC current rating at least 25% higher than the maximum load current is recommended for most applications. For higher efficiency, choose an inductor with a lower DC resistance. A larger-value inductor results in less ripple current and a lower output ripple voltage. However, the larger-value inductor also has a larger physical size, higher series resistance, and lower saturation current. A good rule for determining the inductor value is to allow the inductor ripple current to be approximately 30% of the maximum load current. The inductance value can be then be calculated with Equation (8):

$$L = \frac{V_{OUT}}{f_{SW} \times \Delta I_L} \times \left(1 - \frac{V_{OUT}}{V_{IN}}\right) \quad (8)$$

Where ΔI_L is the peak-to-peak inductor ripple current.

Choose the inductor ripple current to be approximately 30% of the maximum load current. The maximum peak inductor current can be calculated with Equation (9):

$$I_{LP} = I_{LED} + \frac{V_{OUT}}{2f_{SW} \times L} \times \left(1 - \frac{V_{OUT}}{V_{IN}}\right) \quad (9)$$

V_{IN} UVLO Setting

The MPQ4425A has an internal, fixed under-voltage lockout (UVLO) threshold. The rising threshold is 3.5V, and the falling threshold is about 3.1V. If the application requires a higher

UVLO point, an external resistor divider between the IN and EN/DIM pins can be used to get a higher equivalent UVLO threshold (see Figure 5).

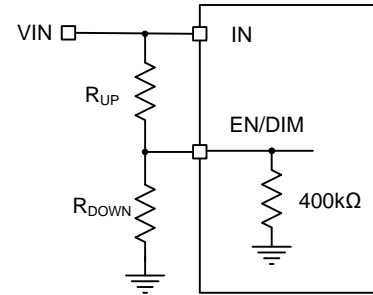


Figure 5: Adjustable UVLO Using EN Divider

The UVLO threshold can be calculated with Equation (10) and Equation (11):

$$INUV_{RISING} = \left(1 + \frac{R_{UP}}{400k\Omega/R_{DOWN}}\right) \times V_{EN_RISING} \quad (10)$$

$$INUV_{FALLING} = \left(1 + \frac{R_{UP}}{400k\Omega/R_{DOWN}}\right) \times V_{EN_FALLING} \quad (11)$$

Where $V_{EN_RISING} = 1.45V$, $V_{EN_FALLING} = 1V$.

When choosing R_{UP} , ensure it is big enough to limit the current flows into the EN/DIM pin below 100μA.

BST Resistor and External BST Diode

A 20Ω resistor in series with the BST capacitor is recommended to reduce the SW spike voltage. A higher resistance leads to better SW spike reduction, but decreases efficiency.

An external BST diode can enhance the efficiency of the regulator when the duty cycle is high (>65%). A power supply between 2.5V and 5V can be used to power the external bootstrap diode. VCC or V_{OUT} are the best choices for power supply in the circuit (see Figure 6).

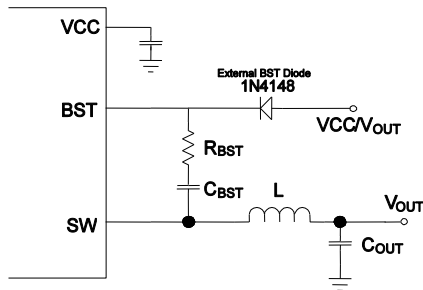


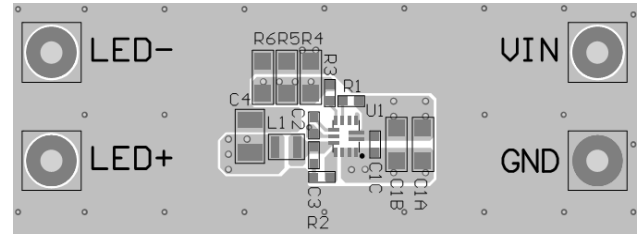
Figure 6: Optional External Bootstrap Diode to Enhance Efficiency

The recommended external BST diode is the IN4148, and the recommended BST capacitor value is 0.1 μ F to 1 μ F.

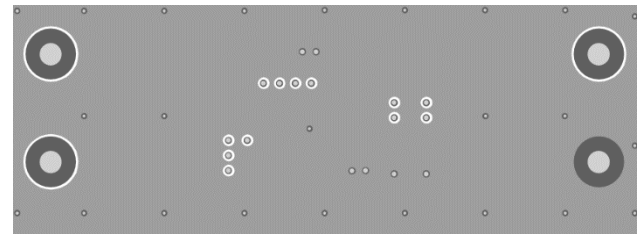
PCB Layout Guidelines ⁽⁶⁾

Efficient PCB layout, especially input capacitor placement, is critical for stable operation. A 4-layer layout is strongly recommended to achieve better thermal performance. For best results, refer to Figure 7 and follow the guidelines below:

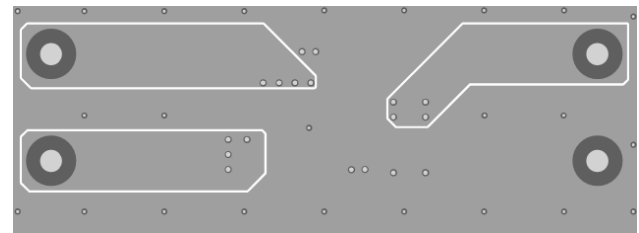
1. Use a large ground plane to connect directly to PGND. If the bottom layer is a ground plane, add vias near PGND.
2. Ensure that the high-current paths at PGND and IN have short, direct, and wide traces.
3. Place the ceramic input capacitor, especially the small package (0603) input bypass capacitor, as close to IN and PGND as possible to minimize high-frequency noise.
4. Keep the connection between the input capacitor and IN as short and wide as possible.
5. Place the VCC capacitor to the VCC and GND pins as close as possible.
6. Route SW and BST away from sensitive analog areas, such as FB.
7. Place the feedback resistors close to the chip to ensure the trace that connects to FB is as short as possible.
8. Use multiple vias to connect the power planes to internal layers.



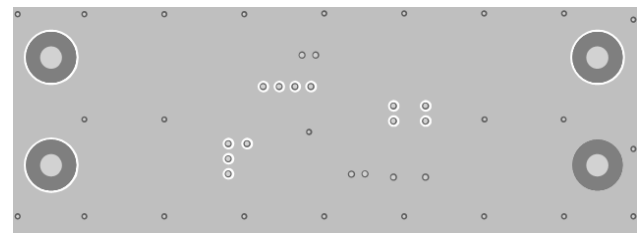
Top Layer



Inner 1 Layer



Inner 2 Layer

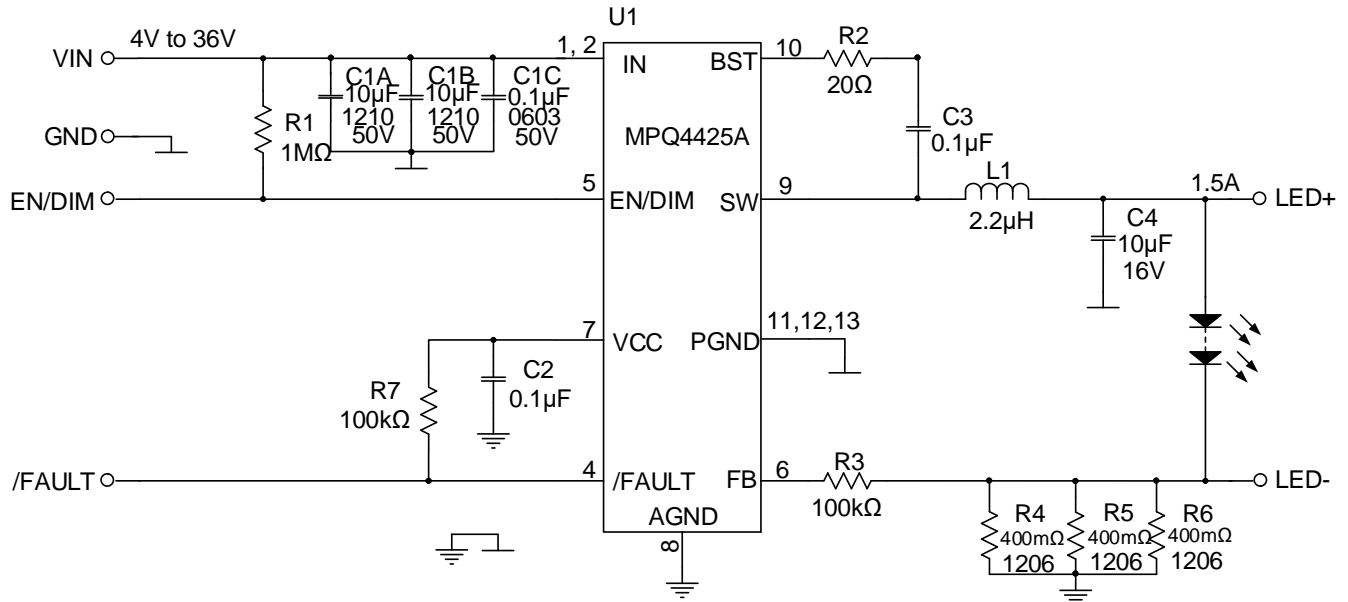
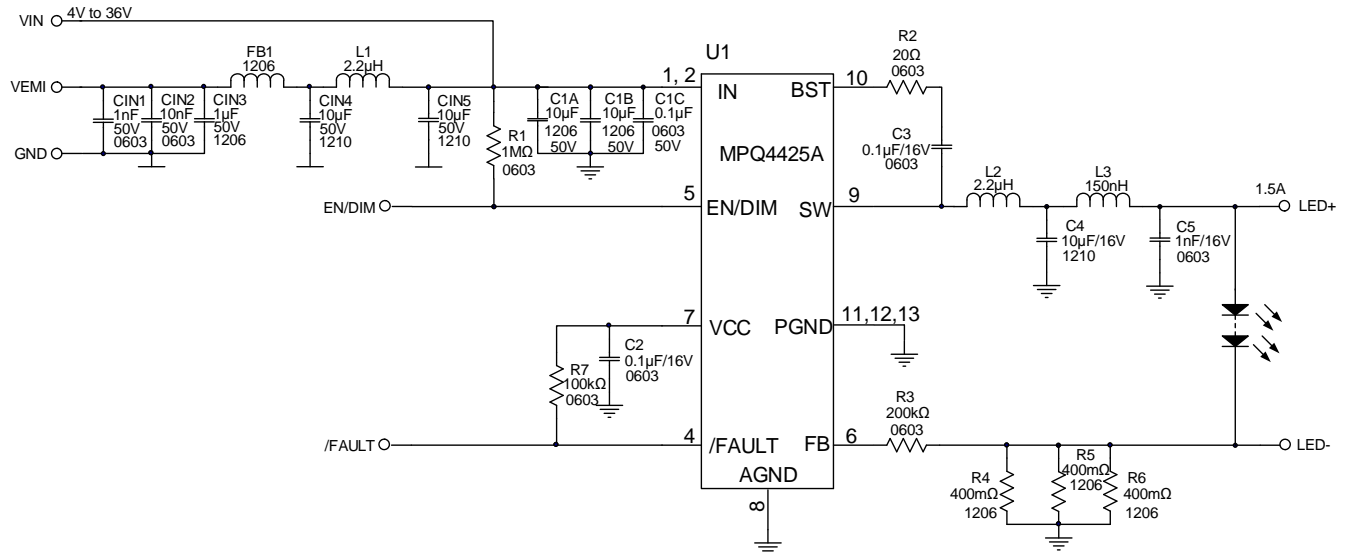


Bottom Layer

Figure 7: Recommended PCB Layout

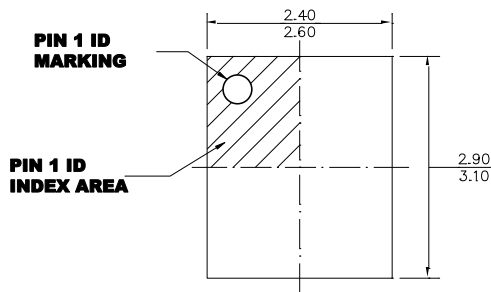
Note:

6) The recommended layout is based on Figure 8.

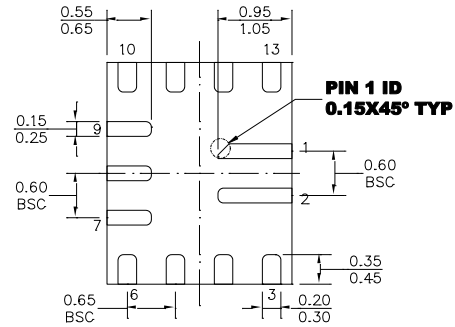
TYPICAL APPLICATION CIRCUIT

Figure 8: $I_o = 1.5A$ Application Circuit

Figure 9: $I_o = 1.5A$ Application Circuit with EMI Filters

PACKAGE INFORMATION

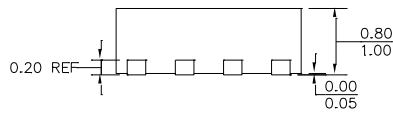
QFN-13 (2.5mmx3mm) Non-Wettable Flank



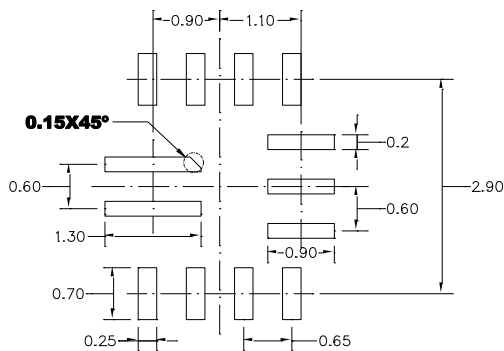
TOP VIEW



BOTTOM VIEW



SIDE VIEW



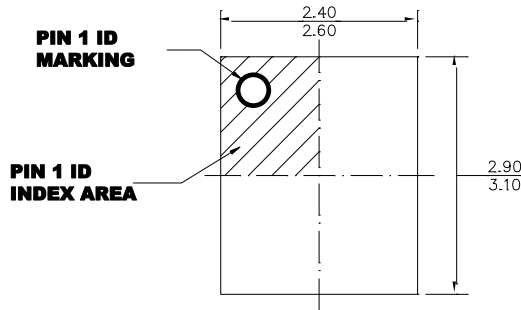
RECOMMENDED LAND PATTERN

NOTE:

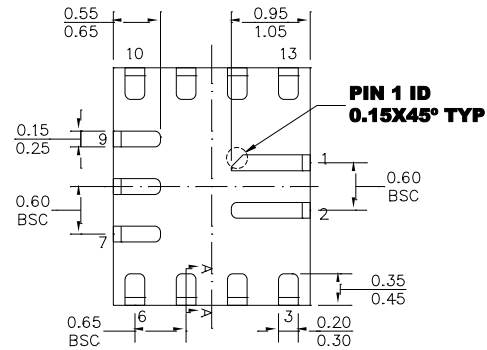
- 1) ALL DIMENSIONS ARE IN MILLIMETERS.
- 2) LEAD COPLANARITY SHALL BE 0.10 MILLIMETERS MAX.
- 3) JEDEC REFERENCE IS MO-220.
- 4) DRAWING IS NOT TO SCALE.

PACKAGE INFORMATION

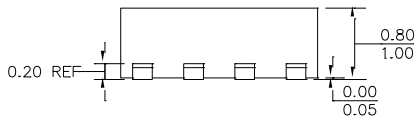
QFN-13 (2.5mmx3mm) Wettable Flank



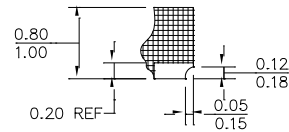
TOP VIEW



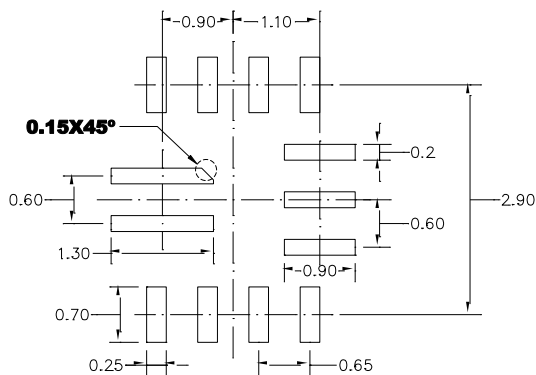
BOTTOM VIEW



SIDE VIEW



SECTION A-A



RECOMMENDED LAND PATTERN

NOTE:

- 1) THE LEAD SIDE IS WETTABLE.
- 2) ALL DIMENSIONS ARE IN MILLIMETERS.
- 3) LEAD COPLANARITY SHALL BE 0.08 MILLIMETERS MAX.
- 4) JEDEC REFERENCE IS MO-220.
- 5) DRAWING IS NOT TO SCALE.

NOTICE: The information in this document is subject to change without notice. Please contact MPS for current specifications. Users should warrant and guarantee that third-party Intellectual Property rights are not infringed upon when integrating MPS products into any application. MPS will not assume any legal responsibility for any said applications.