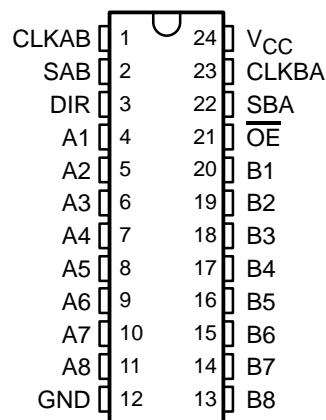


CD54HC646, CD74HCT646 OCTAL BUS TRANSCEIVERS AND REGISTERS WITH 3-STATE OUTPUTS

SCHS278B – APRIL 2003 – REVISED APRIL 2003

- 2-V to 6-V V_{CC} Operation (CD54HC646)
- 4.5-V to 5.5-V V_{CC} Operation (CD74HCT646)
- Wide Operating Temperature Range of -55°C to 125°C
- Balanced Propagation Delays and Transition Times
- Standard Outputs Drive Up To 15 LS-TTL Loads
- Significant Power Reduction Compared to LS-TTL Logic ICs
- Inputs Are TTL-Voltage Compatible (CD74HCT646)
- Independent Registers for A and B Buses
- Multiplexed Real-Time and Stored Data
- True Data Paths

CD54HC646 . . . F PACKAGE
CD74HCT646 . . . M PACKAGE
(TOP VIEW)



description/ordering information

The CD54HC646 and CD74HCT646 consist of bus-transceiver circuits with 3-state outputs, D-type flip-flops, and control circuitry arranged for multiplexed transmission of data directly from the input bus or from the internal registers. Data on the A or B bus is clocked into the registers on the low-to-high transition of the appropriate clock (CLKAB or CLKBA) input. Figure 1 illustrates the four fundamental bus-management functions that can be performed with these devices.

Output-enable ($\overline{\text{OE}}$) and direction-control (DIR) inputs control the transceiver functions. In the transceiver mode, data present at the high-impedance port can be stored in either or both registers.

The select-control (SAB and SBA) inputs can multiplex stored and real-time (transparent mode) data. DIR determines which bus receives data when $\overline{\text{OE}}$ is active (low). In the isolation mode ($\overline{\text{OE}}$ high), A data can be stored in one register and/or B data can be stored in the other register.

When an output function is disabled, the input function still is enabled and can be used to store data. Only one of the two buses, A or B, can be driven at a time.

To ensure the high-impedance state during power up or power down, $\overline{\text{OE}}$ should be tied to V_{CC} through a pullup resistor; the minimum value of the resistor is determined by the current-sinking capability of the driver.

ORDERING INFORMATION

| T_A | PACKAGE† | | ORDERABLE PART NUMBER | TOP-SIDE MARKING |
|--|----------|---------------|-----------------------|------------------|
| -55°C to 125°C | SOIC – M | Tape and reel | CD74HCT646M96 | HCT646M |
| | CDIP – F | Tube | CD54HC646F3A | CD54HC646F3A |

† Package drawings, standard packing quantities, thermal data, symbolization, and PCB design guidelines are available at www.ti.com/sc/package.



Please be aware that an important notice concerning availability, standard warranty, and use in critical applications of Texas Instruments semiconductor products and disclaimers thereto appears at the end of this data sheet.

PRODUCTION DATA information is current as of publication date. Products conform to specifications per the terms of Texas Instruments standard warranty. Production processing does not necessarily include testing of all parameters.

 **TEXAS
INSTRUMENTS**

POST OFFICE BOX 655303 • DALLAS, TEXAS 75265

Copyright © 2003, Texas Instruments Incorporated
On products compliant to MIL-PRF-38535, all parameters are tested unless otherwise noted. On all other products, production processing does not necessarily include testing of all parameters.

CD54HC646, CD74HCT646
OCTAL BUS TRANSCEIVERS AND REGISTERS
WITH 3-STATE OUTPUTS

SCHS278B – APRIL 2003 – REVISED APRIL 2003

FUNCTION TABLE

| INPUTS | | | | | | DATA I/O | | OPERATION OR FUNCTION |
|-----------------|-----|--------|--------|-----|-----|----------------|----------------|---------------------------|
| \overline{OE} | DIR | CLKAB | CLKBA | SAB | SBA | A1–A8 | B1–B8 | |
| X | X | ↑ | X | X | X | Input | Unspecified† | Store A, B unspecified† |
| X | X | X | ↑ | X | X | Unspecified† | Input | Store B, A unspecified† |
| H | X | ↑ | ↑ | X | X | Input | Input | Store A and B data |
| H | X | H or L | H or L | X | X | Input disabled | Input disabled | Isolation, hold storage |
| L | L | X | X | X | L | Output | Input | Real-time B data to A bus |
| L | L | X | H or L | X | H | Output | Input | Stored B data to A bus |
| L | H | X | X | L | X | Input | Output | Real-time A data to B bus |
| L | H | H or L | X | H | X | Input | Output | Stored A data to B bus |

† The data-output functions can be enabled or disabled by various signals at \overline{OE} and DIR. Data-input functions always are enabled; i.e., data at the bus terminals is stored on every low-to-high transition of the clock inputs.



CD54HC646, CD74HCT646 OCTAL BUS TRANSCEIVERS AND REGISTERS WITH 3-STATE OUTPUTS

SCHS278B – APRIL 2003 – REVISED APRIL 2003

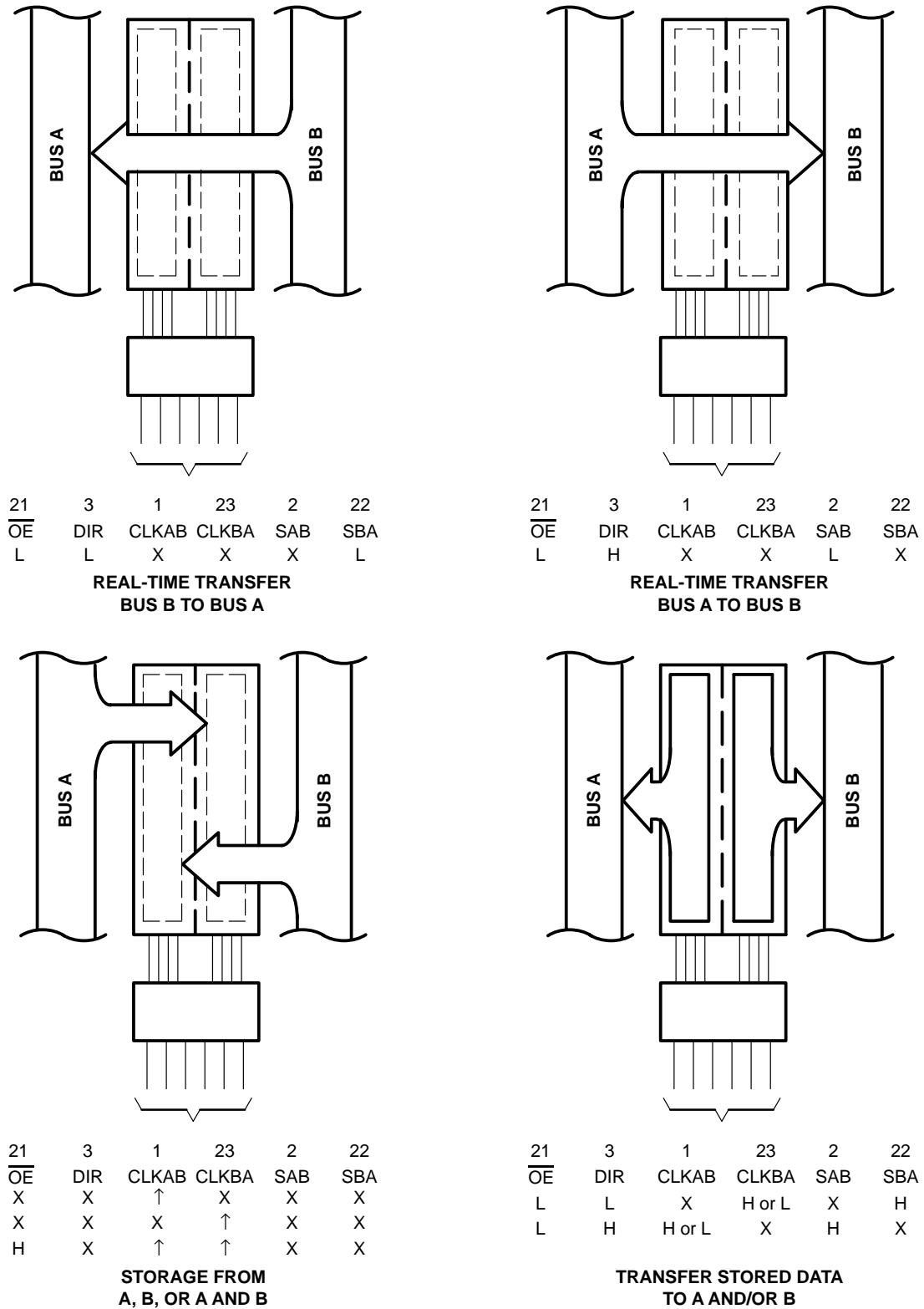
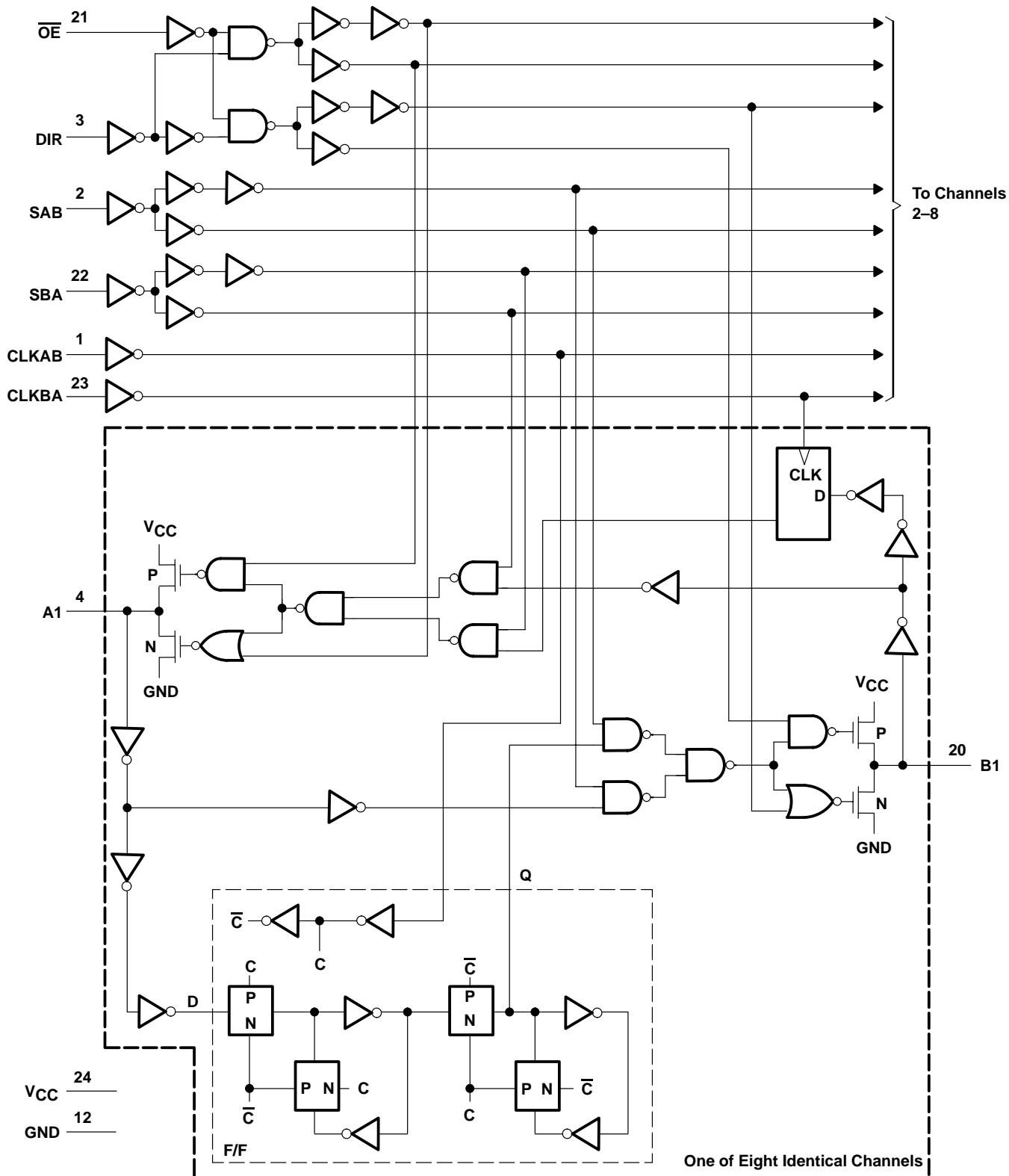


Figure 1. Bus-Management Functions

CD54HC646, CD74HCT646 OCTAL BUS TRANSCEIVERS AND REGISTERS WITH 3-STATE OUTPUTS

SCHS278B – APRIL 2003 – REVISED APRIL 2003

logic diagram (positive logic)



CD54HC646, CD74HCT646 OCTAL BUS TRANSCEIVERS AND REGISTERS WITH 3-STATE OUTPUTS

SCHS278B – APRIL 2003 – REVISED APRIL 2003

absolute maximum ratings over operating free-air temperature range (unless otherwise noted)†

| | |
|---|----------------|
| Supply voltage range, V_{CC} | –0.5 V to 7 V |
| Input clamp current, I_{IK} ($V_I < 0$ or $V_I > V_{CC}$) (see Note 1) | ±20 mA |
| Output clamp current, I_{OK} ($V_O < 0$ or $V_O > V_{CC}$) (see Note 1) | ±20 mA |
| Continuous output drain current per output, I_O ($V_O = 0$ to V_{CC}) | ±35 mA |
| Continuous current through V_{CC} or GND | ±50 mA |
| Package thermal impedance, θ_{JA} (see Note 2) M package | 46°C/W |
| Storage temperature range, T_{stg} | –65°C to 150°C |

† Stresses beyond those listed under “absolute maximum ratings” may cause permanent damage to the device. These are stress ratings only, and functional operation of the device at these or any other conditions beyond those indicated under “recommended operating conditions” is not implied. Exposure to absolute-maximum-rated conditions for extended periods may affect device reliability.

- NOTES: 1. The input and output voltage ratings may be exceeded if the input and output current ratings are observed.
2. The package thermal impedance is calculated in accordance with JESD 51-7.

recommended operating conditions for CD54HC646 (see Note 3)

| | | MIN | MAX | UNIT |
|----------|---------------------------------------|------------------|----------|------|
| V_{CC} | Supply voltage | 2 | 6 | V |
| V_{IH} | High-level input voltage | $V_{CC} = 2$ V | 1.5 | V |
| | | $V_{CC} = 4.5$ V | 3.15 | |
| | | $V_{CC} = 6$ V | 4.2 | |
| V_{IL} | Low-level input voltage | $V_{CC} = 2$ V | 0.5 | V |
| | | $V_{CC} = 4.5$ V | 1.35 | |
| | | $V_{CC} = 6$ V | 1.8 | |
| V_I | Input voltage | 0 | V_{CC} | V |
| V_O | Output voltage | 0 | V_{CC} | V |
| t_t | Input transition (rise and fall) time | $V_{CC} = 2$ V | 1000 | ns |
| | | $V_{CC} = 4.5$ V | 500 | |
| | | $V_{CC} = 6$ V | 400 | |
| T_A | Operating free-air temperature | –55 | 125 | °C |

NOTE 3: All unused inputs of the device must be held at V_{CC} or GND to ensure proper device operation. Refer to the TI application report, *Implications of Slow or Floating CMOS Inputs*, literature number SCBA004.

recommended operating conditions for CD74HCT646 (see Note 3)

| | | MIN | MAX | UNIT |
|----------|---------------------------------------|-----|----------|------|
| V_{CC} | Supply voltage | 4.5 | 5.5 | V |
| V_{IH} | High-level input voltage | 2 | | V |
| V_{IL} | Low-level input voltage | | 0.8 | V |
| V_I | Input voltage | | V_{CC} | V |
| V_O | Output voltage | | V_{CC} | V |
| t_t | Input transition (rise and fall) time | | 500 | ns |
| T_A | Operating free-air temperature | –55 | 125 | °C |

NOTE 4: All unused inputs of the device must be held at V_{CC} or GND to ensure proper device operation. Refer to the TI application report, *Implications of Slow or Floating CMOS Inputs*, literature number SCBA004.



CD54HC646, CD74HCT646
OCTAL BUS TRANSCEIVERS AND REGISTERS
WITH 3-STATE OUTPUTS

SCHS278B – APRIL 2003 – REVISED APRIL 2003

electrical characteristics for CD54HC646 over recommended operating free-air temperature range (unless otherwise noted)

| PARAMETER | TEST CONDITIONS | | V _{CC} | T _A = 25°C | | T _A = -55°C TO 125°C | | T _A = -40°C TO 85°C | | UNIT |
|-----------------|---|---------------------------|-----------------|-----------------------|------|---------------------------------|-----|--------------------------------|------|------|
| | | | | MIN | MAX | MIN | MAX | MIN | MAX | |
| V _{OH} | V _I = V _{IH} or V _{IL} | I _{OH} = -20 μA | 2 V | 1.9 | | 1.9 | | 1.9 | | V |
| | | | 4.5 V | 4.4 | | 4.4 | | 4.4 | | |
| | | | 6 V | 5.9 | | 5.9 | | 5.9 | | |
| | | I _{OH} = -6 mA | 4.5 V | 3.98 | | 3.7 | | 3.84 | | |
| | | I _{OH} = -7.8 mA | 6 V | 5.48 | | 5.2 | | 5.34 | | |
| V _{OL} | V _I = V _{IH} or V _{IL} | I _{OL} = 20 μA | 2 V | | 0.1 | | 0.1 | | 0.1 | V |
| | | | 4.5 V | | 0.1 | | 0.1 | | 0.1 | |
| | | | 6 V | | 0.1 | | 0.1 | | 0.1 | |
| | | I _{OL} = 6 mA | 4.5 V | | 0.26 | | 0.4 | | 0.33 | |
| | | I _{OL} = 7.8 mA | 6 V | | 0.26 | | 0.4 | | 0.33 | |
| I _I | V _I = V _{CC} or 0 | | 6 V | | ±0.1 | | ±1 | | ±1 | μA |
| I _{OZ} | V _O = V _{CC} or 0 | | 6 V | | ±0.5 | | ±10 | | ±5 | μA |
| I _{CC} | V _I = V _{CC} or 0, I _O = 0 | | 6 V | | 8 | | 160 | | 80 | μA |
| C _i | | | | | 10 | | 10 | | 10 | pF |
| C _o | | | | | 20 | | 20 | | 20 | pF |

electrical characteristics for CD74HCT646 over recommended operating free-air temperature range (unless otherwise noted)

| PARAMETER | TEST CONDITIONS | | V _{CC} | T _A = 25°C | | | T _A = -55°C TO 125°C | | T _A = -40°C TO 85°C | | UNIT |
|--------------------|--|--------------------------|-----------------|-----------------------|------|-----|---------------------------------|-----|--------------------------------|-----|------|
| | | | | MIN | TYP | MAX | MIN | MAX | MIN | MAX | |
| V _{OH} | V _I = V _{IH} or V _{IL} | I _{OH} = -20 μA | 4.5 V | 4.4 | | | 4.4 | | 4.4 | V | |
| | | I _{OH} = -6 mA | | 3.98 | | | 3.7 | | 3.84 | | |
| V _{OL} | V _I = V _{IH} or V _{IL} | I _{OL} = 20 μA | 4.5 V | | 0.1 | | 0.1 | | 0.1 | V | |
| | | I _{OL} = 6 mA | | | 0.26 | | 0.4 | | 0.33 | | |
| I _I | V _I = V _{CC} to GND | | 5.5 V | | ±0.1 | | ±1 | | ±1 | μA | |
| I _{OZ} | V _O = V _{CC} or 0 | | 5.5 V | | ±0.5 | | ±10 | | ±5 | μA | |
| I _{CC} | V _I = V _{CC} or 0, I _O = 0 | | 5.5 V | | 8 | | 160 | | 80 | μA | |
| ΔI _{CC} † | One input at V _{CC} - 2.1 V, Other inputs at 0 or V _{CC} | | 4.5 V to 5.5 V | | 100 | 360 | | 490 | | 450 | μA |
| C _i | | | | | 10 | | 10 | | 10 | pF | |
| C _o | | | | | 20 | | 20 | | 20 | pF | |

† Additional quiescent supply current per input pin, TTL inputs high, 1 unit load



CD54HC646, CD74HCT646 OCTAL BUS TRANSCEIVERS AND REGISTERS WITH 3-STATE OUTPUTS

SCHS278B – APRIL 2003 – REVISED APRIL 2003

HCT INPUT LOADING TABLE

| INPUT | UNIT LOAD† |
|-----------------|------------|
| \overline{OE} | 1.3 |
| DIR | 0.75 |
| CLKAB or CLKBA | 0.6 |
| SAB or SBA | 0.45 |
| A or B | 0.3 |

† Unit Load is ΔI_{CC} limit specified in electrical characteristics table (e.g., 360 μ A max at 25°C).

timing requirements for CD54HC646 over recommended operating free-air temperature range (unless otherwise noted) (see Figure 2)

| | V_{CC} | $T_A = 25^\circ\text{C}$ | | $T_A = -55^\circ\text{C}$ TO 125°C | | $T_A = -40^\circ\text{C}$ TO 85°C | | UNIT |
|---|----------|--------------------------|-----|---|-----|--|-----|------|
| | | MIN | MAX | MIN | MAX | MIN | MAX | |
| f_{clock} Clock frequency | 2 V | | 6 | | 4 | | 5 | MHz |
| | 4.5 V | | 30 | | 20 | | 25 | |
| | 6 V | | 35 | | 23 | | 29 | |
| t_w Pulse duration, CLKBA or CLKAB high or low | 2 V | | 80 | | 120 | | 100 | ns |
| | 4.5 V | | 16 | | 24 | | 20 | |
| | 6 V | | 14 | | 20 | | 17 | |
| t_{su} Setup time, A before CLKAB \uparrow or B before CLKBA \uparrow | 2 V | | 60 | | 90 | | 75 | ns |
| | 4.5 V | | 12 | | 18 | | 15 | |
| | 6 V | | 10 | | 15 | | 13 | |
| t_h Hold time, A after CLKAB \uparrow or B after CLKBA \uparrow | 2 V | | 35 | | 55 | | 45 | ns |
| | 4.5 V | | 7 | | 11 | | 9 | |
| | 6 V | | 6 | | 9 | | 8 | |

timing requirements for CD74HCT646 over recommended operating free-air temperature range, $V_{CC} = 4.5\text{ V}$ (unless otherwise noted) (see Figure 3)

| | $T_A = 25^\circ\text{C}$ | | $T_A = -55^\circ\text{C}$ TO 125°C | | $T_A = -40^\circ\text{C}$ TO 85°C | | UNIT |
|---|--------------------------|-----|---|-----|--|-----|------|
| | MIN | MAX | MIN | MAX | MIN | MAX | |
| f_{clock} Clock frequency | | 25 | | 17 | | 20 | MHz |
| t_w Pulse duration, CLKBA or CLKAB high or low | | 25 | | 38 | | 31 | ns |
| t_{su} Setup time, A before CLKAB \uparrow or B before CLKBA \uparrow | | 12 | | 18 | | 15 | ns |
| t_h Hold time, A after CLKAB \uparrow or B after CLKBA \uparrow | | 5 | | 5 | | 5 | ns |

CD54HC646, CD74HCT646
OCTAL BUS TRANSCEIVERS AND REGISTERS
WITH 3-STATE OUTPUTS

SCHS278B – APRIL 2003 – REVISED APRIL 2003

switching characteristics for CD54HC646 over recommended operating free-air temperature range (unless otherwise noted) (see Figure 2)

| PARAMETER | FROM (INPUT) | TO (OUTPUT) | LOAD CAPACITANCE | V _{CC} | T _A = 25°C | | | T _A = -55°C TO 125°C | | T _A = -40°C TO 85°C | | UNIT | |
|------------------|------------------------|-------------|------------------------|-----------------|------------------------|-------|-----|---------------------------------|-----|--------------------------------|-----|------|-----|
| | | | | | MIN | TYP | MAX | MIN | MAX | MIN | MAX | | |
| f _{max} | | | C _L = 50 pF | 2 V | 6 | | | 4 | | 5 | MHz | | |
| | | | | 4.5 V | 30 | | | 20 | | 25 | | | |
| | | | | 6 V | 35 | | | 23 | | 29 | | | |
| | | | C _L = 15 pF | 5 V | 60 | | | | | | | | |
| t _{pd} | CLKBA or CLKAB | A or B | C _L = 50 pF | 2 V | | 220 | | 330 | | 275 | ns | | |
| | | | | 4.5 V | | 44 | | 66 | | 55 | | | |
| | | | | 6 V | | 37 | | 56 | | 47 | | | |
| | | | C _L = 15 pF | 5 V | 18 | | | | | | | | |
| | A or B | B or A | C _L = 50 pF | 2 V | | 135 | | 205 | | 170 | | | |
| | | | | 4.5 V | | 27 | | 41 | | 34 | | | |
| | | | | 6 V | | 23 | | 35 | | 29 | | | |
| | | | C _L = 15 pF | 5 V | 12 | | | | | | | | |
| | | | SBA or SBA† | A or B | C _L = 50 pF | 2 V | | 170 | | 255 | | | 215 |
| | | | | | | 4.5 V | | 34 | | 51 | | | 43 |
| | 6 V | | | | | 29 | | 43 | | 37 | | | |
| | C _L = 15 pF | 5 V | 14 | | | | | | | | | | |
| t _{en} | $\overline{\text{OE}}$ | A or B | C _L = 50 pF | 2 V | | 175 | | 265 | | 220 | | | |
| | | | | 4.5 V | | 35 | | 53 | | 44 | | | |
| | | | | 6 V | | 30 | | 45 | | 37 | | | |
| | | | C _L = 15 pF | 5 V | 14 | | | | | | | | |
| t _{dis} | $\overline{\text{OE}}$ | A or B | C _L = 50 pF | 2 V | | 175 | | 265 | | 220 | | | |
| | | | | 4.5 V | | 35 | | 53 | | 44 | | | |
| | | | | 6 V | | 30 | | 45 | | 37 | | | |
| | | | C _L = 15 pF | 5 V | 14 | | | | | | | | |
| t _t | | Any | C _L = 50 pF | 2 V | | 60 | | 90 | | 75 | | | |
| | | | | 4.5 V | | 12 | | 18 | | 15 | | | |
| | | | | 6 V | | 10 | | 15 | | 13 | | | |

† These parameters are measured with the internal output state of the storage register opposite that of the bus input.



CD54HC646, CD74HCT646
OCTAL BUS TRANSCEIVERS AND REGISTERS
WITH 3-STATE OUTPUTS

SCHS278B – APRIL 2003 – REVISED APRIL 2003

switching characteristics for CD74HCT646 over recommended operating free-air temperature range (unless otherwise noted) (see Figure 3)

| PARAMETER | FROM (INPUT) | TO (OUTPUT) | LOAD CAPACITANCE | V _{CC} | T _A = 25°C | | | T _A = -55°C TO 125°C | | T _A = -40°C TO 85°C | | UNIT |
|------------------|-----------------|-------------|------------------------|-----------------|-----------------------|-----|-----|---------------------------------|-----|--------------------------------|-----|------|
| | | | | | MIN | TYP | MAX | MIN | MAX | MIN | MAX | |
| f _{max} | | | C _L = 50 pF | 4.5 V | 25 | | | 17 | | 20 | MHz | |
| | | | C _L = 15 pF | 5 V | | 45 | | | | | | |
| t _{pd} | CLKBA or CLKAB | A or B | C _L = 50 pF | 4.5 V | | | 44 | 66 | 55 | ns | | |
| | | | C _L = 15 pF | 5 V | | 18 | | | | | | |
| | A or B | B or A | C _L = 50 pF | 4.5 V | | | 37 | 56 | 46 | | | |
| | | | C _L = 15 pF | 5 V | | 15 | | | | | | |
| | SBA or SAB† | A or B | C _L = 50 pF | 4.5 V | | | 46 | 69 | 58 | | | |
| | | | C _L = 15 pF | 5 V | | 19 | | | | | | |
| t _{en} | \overline{OE} | A or B | C _L = 50 pF | 4.5 V | | | 45 | 68 | 56 | ns | | |
| | | | C _L = 15 pF | 5 V | | 19 | | | | | | |
| t _{dis} | \overline{OE} | A or B | C _L = 50 pF | 4.5 V | | | 35 | 53 | 44 | ns | | |
| | | | C _L = 15 pF | 5 V | | 14 | | | | | | |
| t _t | | | C _L = 50 pF | 4.5 V | | | 12 | 18 | 15 | ns | | |

† These parameters are measured with the internal output state of the storage register opposite that of the bus input.

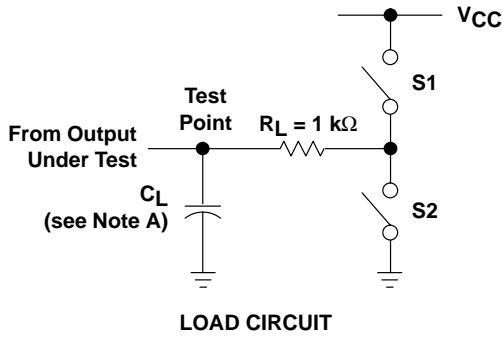
operating characteristics, V_{CC} = 5 V, T_A = 25°C

| PARAMETER | TYP | UNIT |
|---|-----|------|
| C _{pd} Power dissipation capacitance | 52 | pF |

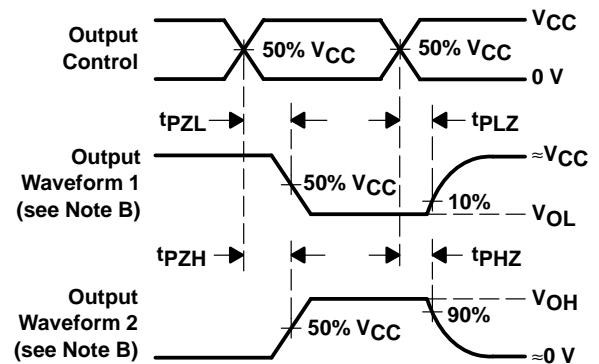
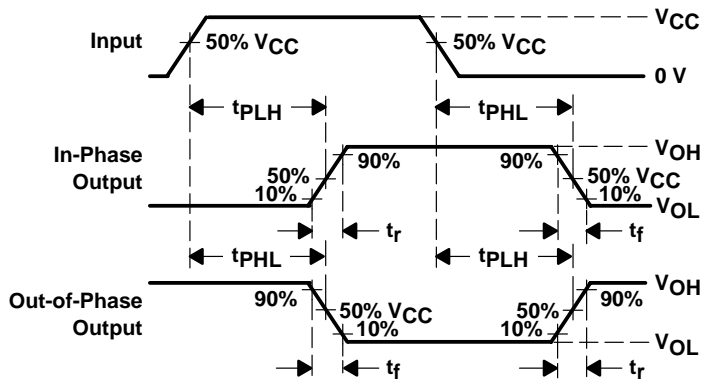
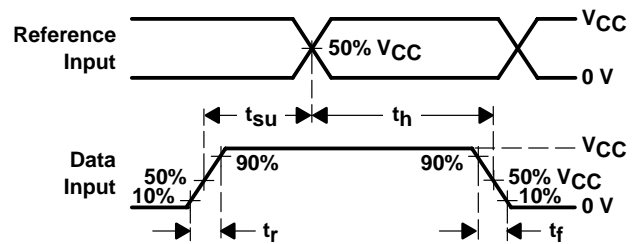
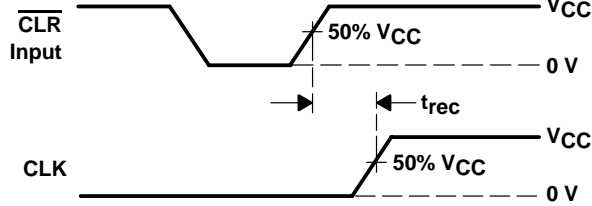
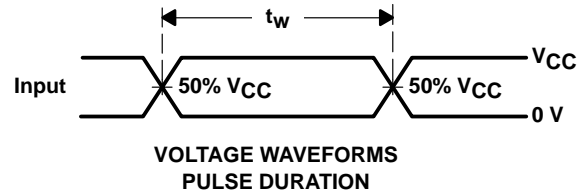
CD54HC646, CD74HCT646 OCTAL BUS TRANSCEIVERS AND REGISTERS WITH 3-STATE OUTPUTS

SCHS278B – APRIL 2003 – REVISED APRIL 2003

PARAMETER MEASUREMENT INFORMATION – CD54HC646



| PARAMETER | S1 | S2 | |
|-------------------|------|--------|--------|
| t_{en} | tPZH | Open | Closed |
| | tPZL | Closed | Open |
| t_{dis} | tPHZ | Open | Closed |
| | tPLZ | Closed | Open |
| t_{pd} or t_t | Open | Open | |



NOTES: A. C_L includes probe and test-fixture capacitance.

B. Waveform 1 is for an output with internal conditions such that the output is low except when disabled by the output control. Waveform 2 is for an output with internal conditions such that the output is high except when disabled by the output control.

C. Phase relationships between waveforms were chosen arbitrarily. All input pulses are supplied by generators having the following characteristics: $PRR \leq 1\text{ MHz}$, $Z_O = 50\ \Omega$, $t_r = 6\text{ ns}$, $t_f = 6\text{ ns}$.

D. For clock inputs, f_{max} is measured with the input duty cycle at 50%.

E. The outputs are measured one at a time with one input transition per measurement.

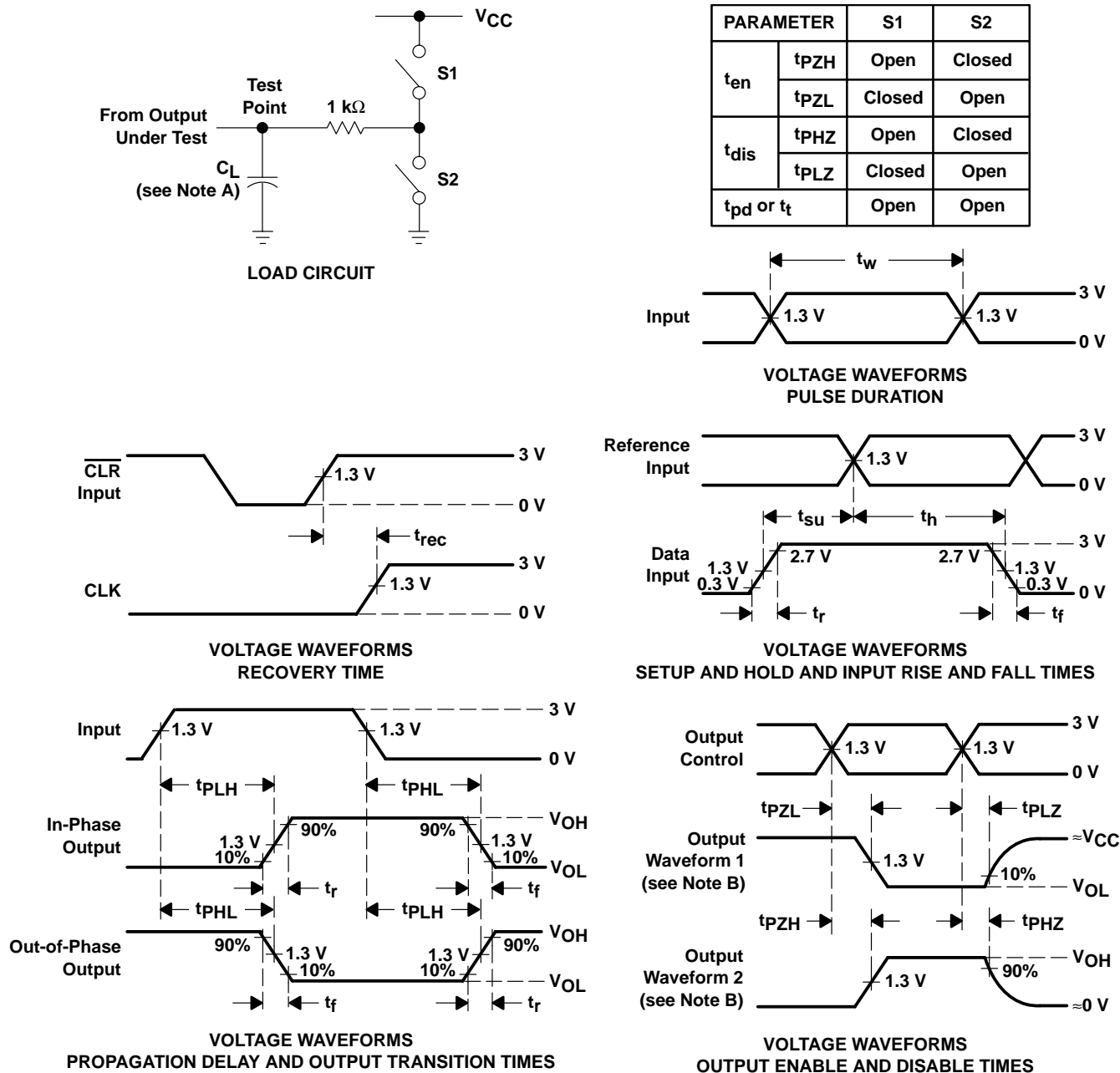
F. t_{PLZ} and t_{PHZ} are the same as t_{dis} .

G. t_{PZL} and t_{PZH} are the same as t_{en} .

H. t_{PLH} and t_{PHL} are the same as t_{pd} .

Figure 2. Load Circuit and Voltage Waveforms

PARAMETER MEASUREMENT INFORMATION – CD74HCT646



- NOTES:
- A. C_L includes probe and test-fixture capacitance.
 - B. Waveform 1 is for an output with internal conditions such that the output is low except when disabled by the output control. Waveform 2 is for an output with internal conditions such that the output is high except when disabled by the output control.
 - C. Phase relationships between waveforms were chosen arbitrarily. All input pulses are supplied by generators having the following characteristics: $PRR \leq 1$ MHz, $Z_O = 50 \Omega$, $t_r = 6$ ns, $t_f = 6$ ns.
 - D. For clock inputs, f_{max} is measured with the input duty cycle at 50%.
 - E. The outputs are measured one at a time with one input transition per measurement.
 - F. t_{pLZ} and t_{pHZ} are the same as t_{dis} .
 - G. t_{pZL} and t_{pZH} are the same as t_{en} .
 - H. t_{PLH} and t_{PHL} are the same as t_{pd} .

Figure 3. Load Circuit and Voltage Waveforms

PACKAGING INFORMATION

| Orderable Device | Status (1) | Package Type | Package Drawing | Pins | Package Qty | Eco Plan (2) | Lead/Ball Finish (6) | MSL Peak Temp (3) | Op Temp (°C) | Device Marking (4/5) | Samples |
|------------------|---------------|--------------|-----------------|------|-------------|----------------------------|-------------------------|----------------------|--------------|--------------------------------|-------------------------|
| 5962-8688501JA | ACTIVE | CDIP | J | 24 | 1 | TBD | Call TI | N / A for Pkg Type | -55 to 125 | 5962-8688501JA CD54HC646F3A | Samples |
| CD54HC646F3A | ACTIVE | CDIP | J | 24 | 1 | TBD | Call TI | N / A for Pkg Type | -55 to 125 | 5962-8688501JA CD54HC646F3A | Samples |
| CD74HCT646M96 | ACTIVE | SOIC | DW | 24 | 2000 | Green (RoHS & no Sb/Br) | NIPDAU | Level-1-260C-UNLIM | -55 to 125 | HCT646M | Samples |

(1) The marketing status values are defined as follows:

ACTIVE: Product device recommended for new designs.

LIFEBUY: TI has announced that the device will be discontinued, and a lifetime-buy period is in effect.

NRND: Not recommended for new designs. Device is in production to support existing customers, but TI does not recommend using this part in a new design.

PREVIEW: Device has been announced but is not in production. Samples may or may not be available.

OBsolete: TI has discontinued the production of the device.

(2) **RoHS:** TI defines "RoHS" to mean semiconductor products that are compliant with the current EU RoHS requirements for all 10 RoHS substances, including the requirement that RoHS substance do not exceed 0.1% by weight in homogeneous materials. Where designed to be soldered at high temperatures, "RoHS" products are suitable for use in specified lead-free processes. TI may reference these types of products as "Pb-Free".

RoHS Exempt: TI defines "RoHS Exempt" to mean products that contain lead but are compliant with EU RoHS pursuant to a specific EU RoHS exemption.

Green: TI defines "Green" to mean the content of Chlorine (Cl) and Bromine (Br) based flame retardants meet JS709B low halogen requirements of <=1000ppm threshold. Antimony trioxide based flame retardants must also meet the <=1000ppm threshold requirement.

(3) MSL, Peak Temp. - The Moisture Sensitivity Level rating according to the JEDEC industry standard classifications, and peak solder temperature.

(4) There may be additional marking, which relates to the logo, the lot trace code information, or the environmental category on the device.

(5) Multiple Device Markings will be inside parentheses. Only one Device Marking contained in parentheses and separated by a "-" will appear on a device. If a line is indented then it is a continuation of the previous line and the two combined represent the entire Device Marking for that device.

(6) Lead/Ball Finish - Orderable Devices may have multiple material finish options. Finish options are separated by a vertical ruled line. Lead/Ball Finish values may wrap to two lines if the finish value exceeds the maximum column width.

Important Information and Disclaimer: The information provided on this page represents TI's knowledge and belief as of the date that it is provided. TI bases its knowledge and belief on information provided by third parties, and makes no representation or warranty as to the accuracy of such information. Efforts are underway to better integrate information from third parties. TI has taken and continues to take reasonable steps to provide representative and accurate information but may not have conducted destructive testing or chemical analysis on incoming materials and chemicals. TI and TI suppliers consider certain information to be proprietary, and thus CAS numbers and other limited information may not be available for release.

In no event shall TI's liability arising out of such information exceed the total purchase price of the TI part(s) at issue in this document sold by TI to Customer on an annual basis.

TAPE AND REEL INFORMATION



QUADRANT ASSIGNMENTS FOR PIN 1 ORIENTATION IN TAPE



*All dimensions are nominal

| Device | Package Type | Package Drawing | Pins | SPQ | Reel Diameter (mm) | Reel Width W1 (mm) | A0 (mm) | B0 (mm) | K0 (mm) | P1 (mm) | W (mm) | Pin1 Quadrant |
|---------------|--------------|-----------------|------|------|--------------------|--------------------|---------|---------|---------|---------|--------|---------------|
| CD74HCT646M96 | SOIC | DW | 24 | 2000 | 330.0 | 24.4 | 10.75 | 15.7 | 2.7 | 12.0 | 24.0 | Q1 |

TAPE AND REEL BOX DIMENSIONS



*All dimensions are nominal

| Device | Package Type | Package Drawing | Pins | SPQ | Length (mm) | Width (mm) | Height (mm) |
|---------------|--------------|-----------------|------|------|-------------|------------|-------------|
| CD74HCT646M96 | SOIC | DW | 24 | 2000 | 350.0 | 350.0 | 43.0 |

DW (R-PDSO-G24)

PLASTIC SMALL OUTLINE

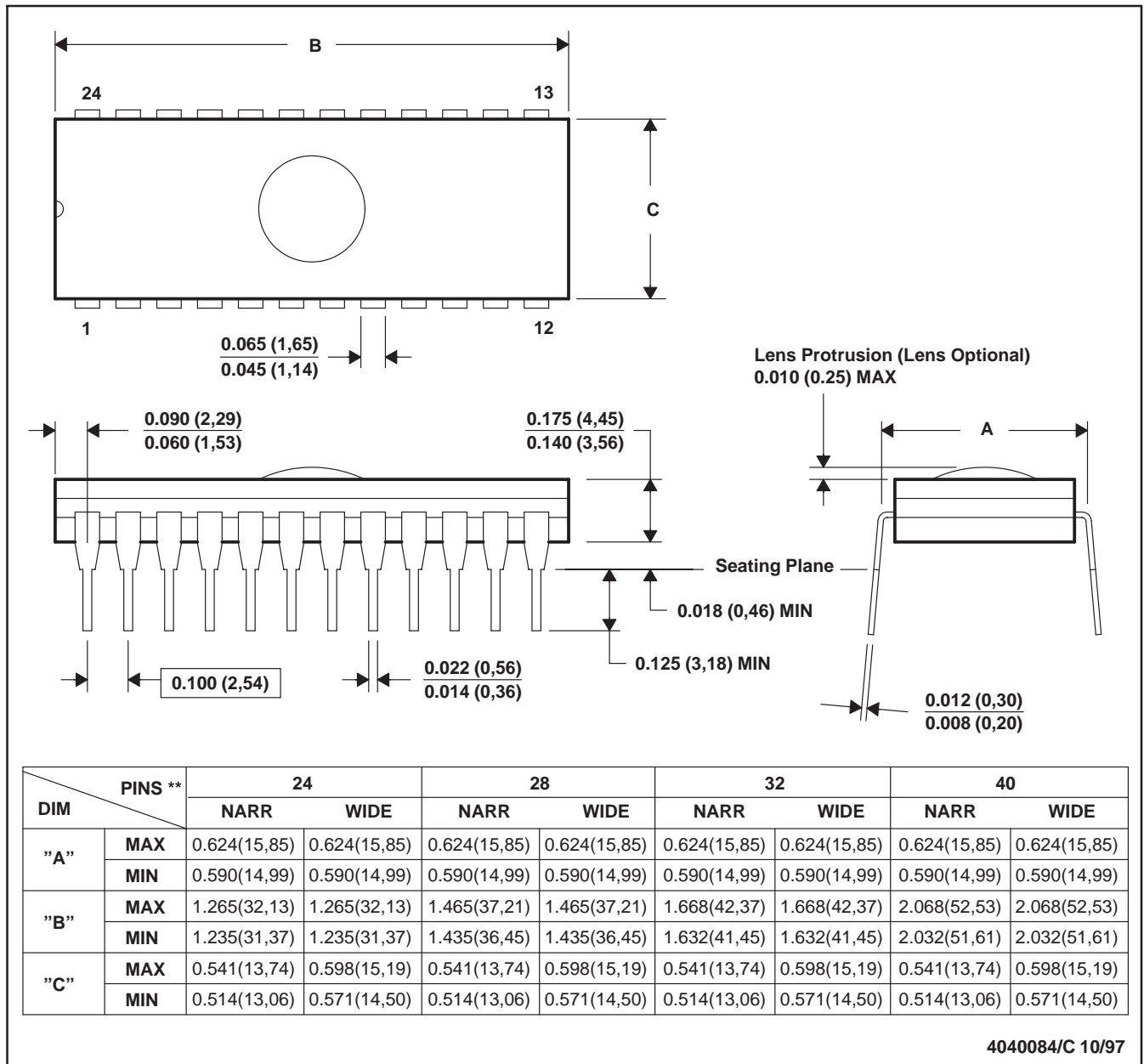


- NOTES:
- A. All linear dimensions are in inches (millimeters). Dimensioning and tolerancing per ASME Y14.5M-1994.
 - B. This drawing is subject to change without notice.
 - C. Body dimensions do not include mold flash or protrusion not to exceed 0.006 (0,15).
 - D. Falls within JEDEC MS-013 variation AD.

J (R-GDIP-T**)

CERAMIC DUAL-IN-LINE PACKAGE

24 PINS SHOWN



- NOTES: A. All linear dimensions are in inches (millimeters).
 B. This drawing is subject to change without notice.
 C. Window (lens) added to this group of packages (24-, 28-, 32-, 40-pin).
 D. This package can be hermetically sealed with a ceramic lid using glass frit.
 E. Index point is provided on cap for terminal identification.

IMPORTANT NOTICE AND DISCLAIMER

TI PROVIDES TECHNICAL AND RELIABILITY DATA (INCLUDING DATASHEETS), DESIGN RESOURCES (INCLUDING REFERENCE DESIGNS), APPLICATION OR OTHER DESIGN ADVICE, WEB TOOLS, SAFETY INFORMATION, AND OTHER RESOURCES "AS IS" AND WITH ALL FAULTS, AND DISCLAIMS ALL WARRANTIES, EXPRESS AND IMPLIED, INCLUDING WITHOUT LIMITATION ANY IMPLIED WARRANTIES OF MERCHANTABILITY, FITNESS FOR A PARTICULAR PURPOSE OR NON-INFRINGEMENT OF THIRD PARTY INTELLECTUAL PROPERTY RIGHTS.

These resources are intended for skilled developers designing with TI products. You are solely responsible for (1) selecting the appropriate TI products for your application, (2) designing, validating and testing your application, and (3) ensuring your application meets applicable standards, and any other safety, security, or other requirements. These resources are subject to change without notice. TI grants you permission to use these resources only for development of an application that uses the TI products described in the resource. Other reproduction and display of these resources is prohibited. No license is granted to any other TI intellectual property right or to any third party intellectual property right. TI disclaims responsibility for, and you will fully indemnify TI and its representatives against, any claims, damages, costs, losses, and liabilities arising out of your use of these resources.

TI's products are provided subject to TI's Terms of Sale (www.ti.com/legal/termsofsale.html) or other applicable terms available either on ti.com or provided in conjunction with such TI products. TI's provision of these resources does not expand or otherwise alter TI's applicable warranties or warranty disclaimers for TI products.

Mailing Address: Texas Instruments, Post Office Box 655303, Dallas, Texas 75265
Copyright © 2020, Texas Instruments Incorporated