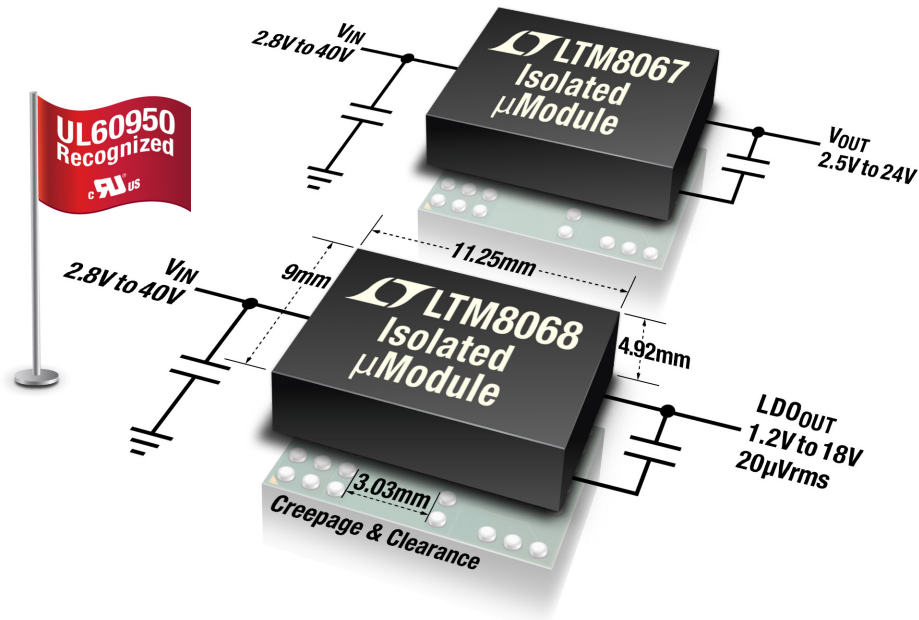


# Isolated $\mu$ Module Power Products



## Simple, Compact, Isolated $\mu$ Module DC/DC Converters

Linear Technology's isolated  $\mu$ Module<sup>®</sup> power products provide simple and compact isolated power supply solutions. These products include isolated transformer, control circuitry, power switch and other supporting components in a small, low profile BGA package. Only a few resistors, input and output capacitors are required to complete the design.

Isolated Voltage	Output		Input Voltage (V)		Output Voltage (V)		Output Ripple	Output Power (24V to 5V)	UL Recognized	BGA Package Dimensions (mm)	Part Number
	Channels	LDO Out	Min	Max	Min	Max					
725VDC	1	–	3.1	32	2.5	12	20mVRMS	1.5W	–	9 × 11.25 × 4.92	LTM8047
	2	Yes	3.1	32	1.2	12	20 $\mu$ VRMS	1.5W Combined*	–	9 × 11.25 × 4.92	LTM8048
2kVAC	1	–	3.1	31	2.5	12	20mVRMS	1.5W	UL60950	9 × 11.25 × 4.92	LTM8057
	2	Yes	3.1	31	1.2	12	20 $\mu$ VRMS	1.5W Combined*	UL60950	9 × 11.25 × 4.92	LTM8058
	1	–	2.8	40	2.5	24	30mVRMS	2.25W	UL60950	9 × 11.25 × 4.92	LTM8067 <span style="background-color: #0070C0; color: white; border-radius: 50%; padding: 2px;">new</span>
	2	Yes	2.8	40	1.2	18	20 $\mu$ VRMS	2.25W Combined*	UL60950	9 × 11.25 × 4.92	LTM8068 <span style="background-color: #0070C0; color: white; border-radius: 50%; padding: 2px;">new</span>
	1	–	3.1	31	1.8	12	20mVRMS	2.75W	UL60950	9 × 15 × 4.92	LTM8046

\*Combined isolated output and LDO output

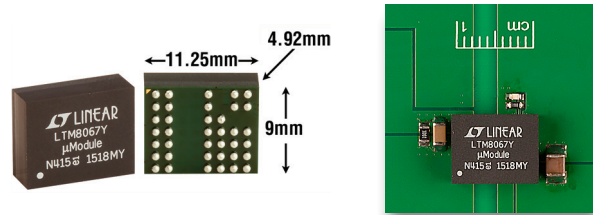


LT, LT, LTC, LTM, Linear Technology,  $\mu$ Module and the Linear logo are registered trademarks of Linear Technology Corporation. All other trademarks are the property of their respective owners.

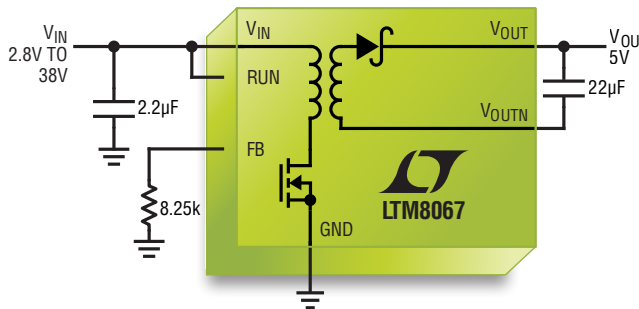
# Isolated $\mu$ Module Power Products

## LTM8067: $2.8V_{IN}$ to $40V_{IN}$ Isolated $\mu$ Module DC/DC Converter

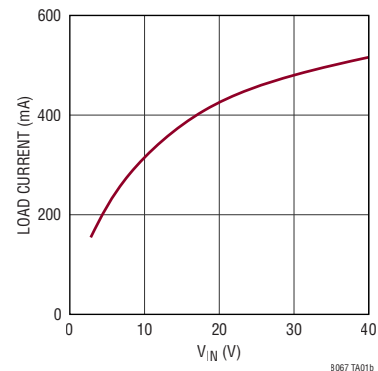
- 2kVAC Isolated  $\mu$ Module Converter
- UL60950 Recognized File 464570
- Wide Input Voltage Range: 2.8V to 40V
- Up to 450mA Output Current ( $V_{IN} = 24V$ ,  $V_{OUT} = 5V$ )
- Output Adjustable from 2.5V to 24V
- 9mm  $\times$  11.25mm  $\times$  4.92mm BGA Package



### 2kVAC Isolated $\mu$ Module Regulator

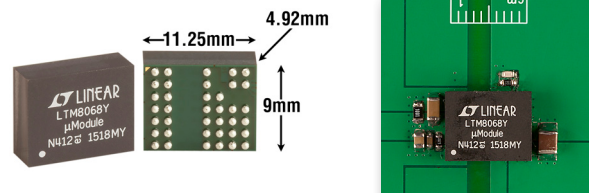


### Maximum Output Current vs $V_{IN}$ $V_{OUT} = 5V$

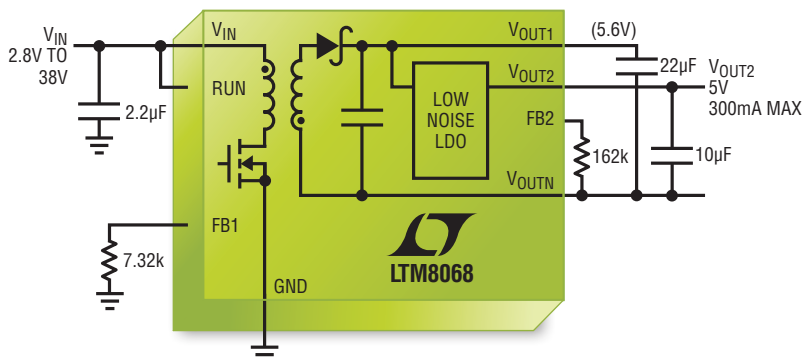


## LTM8068: $2.8V_{IN}$ to $40V_{IN}$ Isolated $\mu$ Module DC/DC Converter with LDO Post Regulator

- 2kVAC Isolated  $\mu$ Module Converter
- UL60950 Recognized File E464570
- Wide Input Voltage Range: 2.8V to 40V
- $V_{OUT1}$  Output: Up to 450mA ( $V_{IN} = 24V$ ,  $V_{OUT1} = 5V$ )  
2.5V to 18V Output Range
- $V_{OUT2}$  Low Noise Linear Post Regulator: Up to 300mA  
1.2V to 18V Output Range
- 9mm  $\times$  11.25mm  $\times$  4.92mm BGA Package



### 2kVAC Isolated Low Noise $\mu$ Module Regulator



### Total Output Current vs $V_{IN}$ $V_{OUT} = 5V$

