

AN-2034 LM3445 -120VAC, 8W Isolated Flyback LED Driver

ABSTRACT

This demonstration board highlights the performance of a LM3445 based Flyback LED driver solution that can be used to power a single LED string consisting of 4 to 8 series connected LEDs from an 90 V_{RMS} to 135 V_{RMS}, 60 Hz input power supply. The key performance characteristics under typical operating conditions are summarized in this application report.

Contents

1	Introduction	3
2	Key Features	3
3	Applications	3
4	Performance Specifications	3
5	LM3445 120VAC, 8W Isolated Flyback LED Driver Demo Board Schematic	5
6	LM3445 Device Pin-Out	7
7	Bill of Materials	7
8	Demo Board Wiring Overview	9
9	Demo Board Assembly	10
10	Typical Performance Characteristics	11
11	PCB Layout	14
12	Transformer Design	15
13	Experimental Results	16
	13.1 Non-Dimming Performance	16
	13.2 Dimming Performance	17
	13.3 Power Factor Performance	19
14	Circuit Operation With Rotary Forward Phase TRIAC Dimmer	20
15	Circuit Operation With Reverse Phase TRIAC Dimmer	21
16	Electromagnetic Interference (EMI)	22
17	Thermal Analysis	24
18	Circuit Analysis and Explanations	26
	18.1 Injecting Line Voltage into Filter-2 (Achieving PFC > 0.95)	26

List of Figures

1	Demo Board	4
2	LED Current vs. Input Voltage (using Dimmer)	4
3	Demo Board Schematic	6
4	LM3445 Device Pin-Out	7
5	Wiring Connection Diagram	9
6	Top View	10
7	Bottom View	10
8	Efficiency vs. Line Voltage Original Circuit	11
9	Efficiency vs. Line Voltage Modified Circuits	11
10	LED Current vs. Line Voltage Original Circuit	11

PowerWise is a trademark of Texas Instruments.
 All other trademarks are the property of their respective owners.

11	LED Current vs. Line Voltage Modified Circuits	11
12	Power Factor vs. Line Voltage Original Circuit	11
13	Power Factor vs. Line Voltage Modified Circuits	11
14	Output Power vs. Line Voltage Original Circuit	12
15	Output Power vs. Line Voltage Modified Circuits	12
16	Power MOSFET Drain Voltage Waveform ($V_{IN} = 120V_{RMS}$, 6 LEDs, $I_{LED} = 350mA$)	12
17	Current Sense Waveform ($V_{IN} = 120V_{RMS}$, 6 LEDs, $I_{LED} = 350mA$)	12
18	FLTR2 Waveform ($V_{IN} = 120V_{RMS}$, 6 LEDs, $I_{LED} = 350mA$)	12
19	Top Layer	14
20	Bottom Layer	14
21	LED Current vs. Input Voltage (using Dimmer)	18
22	Current Harmonic Performance vs. EN/IEC61000-3-2 Class C Limits	19
23	Forward Phase Circuit at Full Brightness	20
24	Forward Phase Circuit at 90° Firing Angle	20
25	Forward Phase Circuit at 150° Firing Angle	20
26	Reverse Phase Circuit at Full Brightness	21
27	Reverse Phase Circuit at 90° Firing Angle	21
28	Reverse Phase Circuit at 150° Firing Angle	21
29	Input EMI Filter and Rectifier Circuit	22
30	Peak Conductive EMI Scan per CISPR-22, Class B Limits	22
31	Peak Conductive EMI Scan with Additional 33nF of Input Capacitance	23
32	Top Side Thermal Scan	24
33	Bottom Side Thermal Scan	25
34	Line Voltage Injection Circuit	26
35	FLTR2 Waveform with No Dimmer	26
36	Typical Operation of FLTR2 Pin	27

List of Tables

1	Pin Description 10 Pin VSSOP	7
2	Wiring Connection	9
3	Measured Efficiency and Line Regulation (6 LEDs, No TRIAC Dimmer)	16
4	LED Current, Output Power Versus Number of LEDs for Various Circuit Modifications ($V_{IN} = 120 V_{AC}$, no TRIAC Dimmer)	16
5	Measured Efficiency and Line Regulation Data (with TRIAC Dimmer)	17

1 Introduction

This is a two-layer board using the bottom and top layer for component placement. The demonstration board can be modified to adjust the LED forward current, the number of series connected LEDs that are driven and the switching frequency. For detailed instructions, see *Triac Dimmable Offline LED Driver (SNVS570)*.

A bill of materials is included that describes the parts used on this demonstration board. A schematic and layout have also been included along with measured performance characteristics.

2 Key Features

- Drop-in compatibility with TRIAC dimmers
- Line injection circuitry enables PFC values greater than 0.95
- Adjustable LED current and switching frequency
- Flicker free operation

3 Applications

- Retro-fit TRIAC Dimming
- Solid State Lighting
- Industrial and Commercial Lighting
- Residential Lighting

4 Performance Specifications

Based on an LED $V_f = 3.4V$

Symbol	Parameter	Min	Typ	Max
V_{IN}	Input voltage	90 V_{RMS}	120 V_{RMS}	135 V_{RMS}
V_{OUT}	LED string voltage	13 V	20 V	27 V
I_{LED}	LED string average current	-	365 mA	-
P_{OUT}	Output power	-	7.3 W	-
f_{sw}	Switching frequency	-	78.5 kHz	-

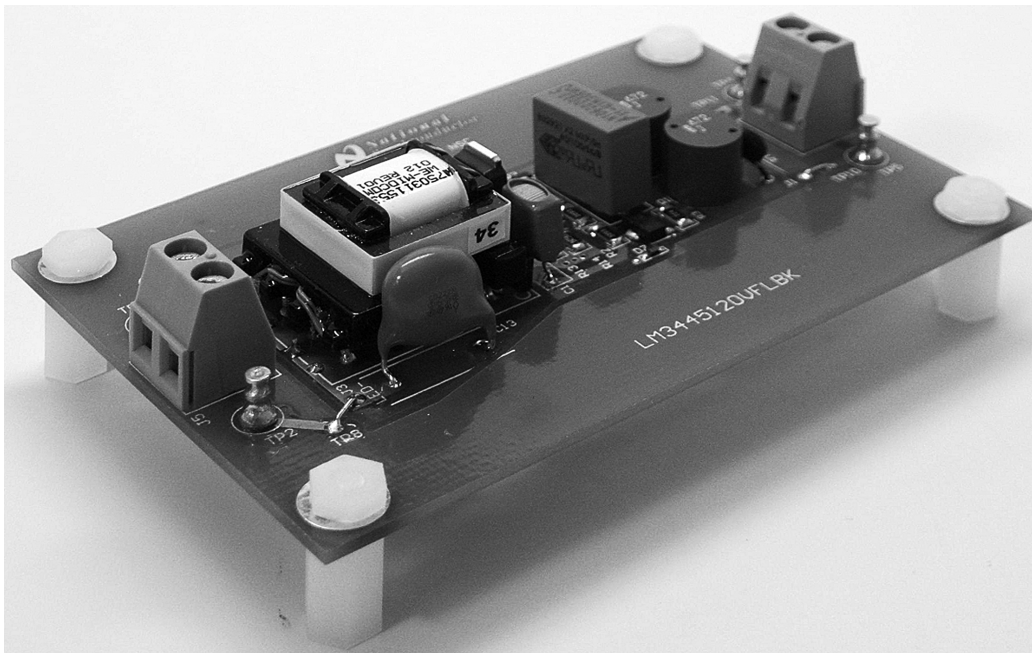


Figure 1. Demo Board

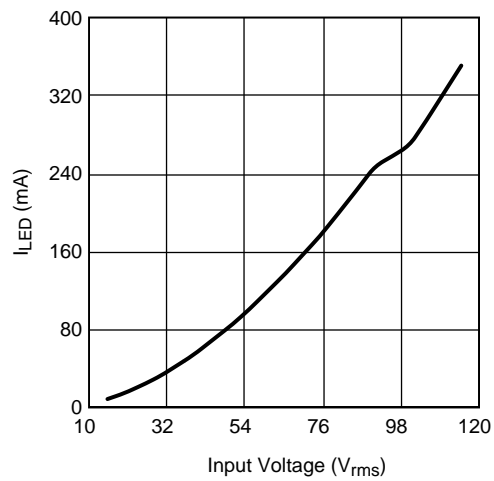


Figure 2. LED Current vs. Input Voltage (using Dimmer)

5 LM3445 120VAC, 8W Isolated Flyback LED Driver Demo Board Schematic

WARNING

The LM3445 evaluation board has exposed high voltage components that present a shock hazard. Care must be taken when handling the evaluation board. Avoid touching the evaluation board and removing any cables while the evaluation board is operating. Isolating the evaluation board rather than the oscilloscope is highly recommended.

CAUTION

The ground connection on the evaluation board is NOT referenced to earth ground. If an oscilloscope ground lead is connected to the evaluation board ground test point for analysis and AC power is applied, the fuse (F1) will fail open. The oscilloscope should be powered via an isolation transformer before an oscilloscope ground lead is connected to the evaluation board.

The LM3445 evaluation board should not be powered with an open load. For proper operation, ensure that the desired number of LEDs are connected at the output before applying power to the evaluation board.

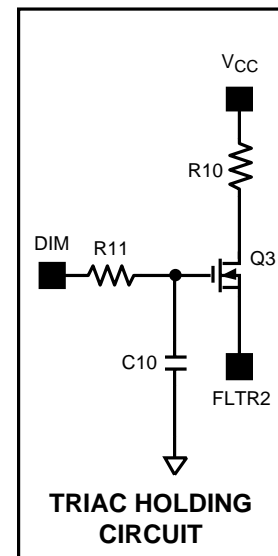
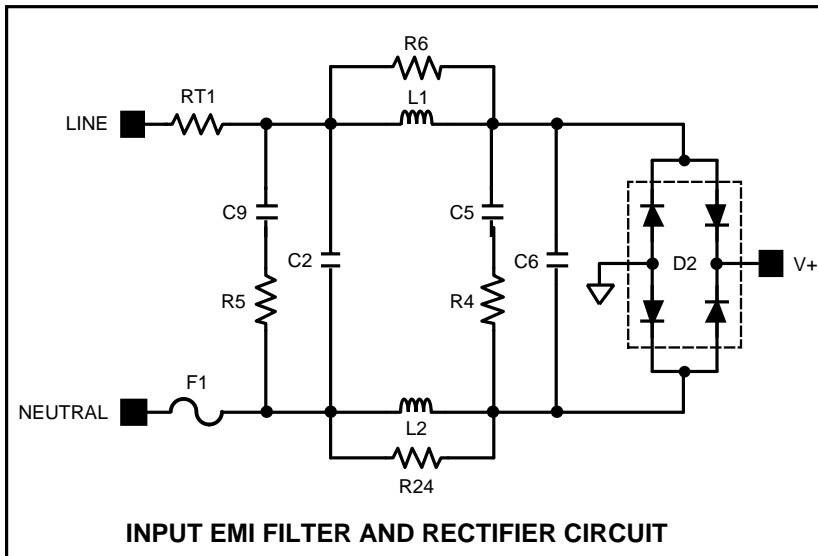
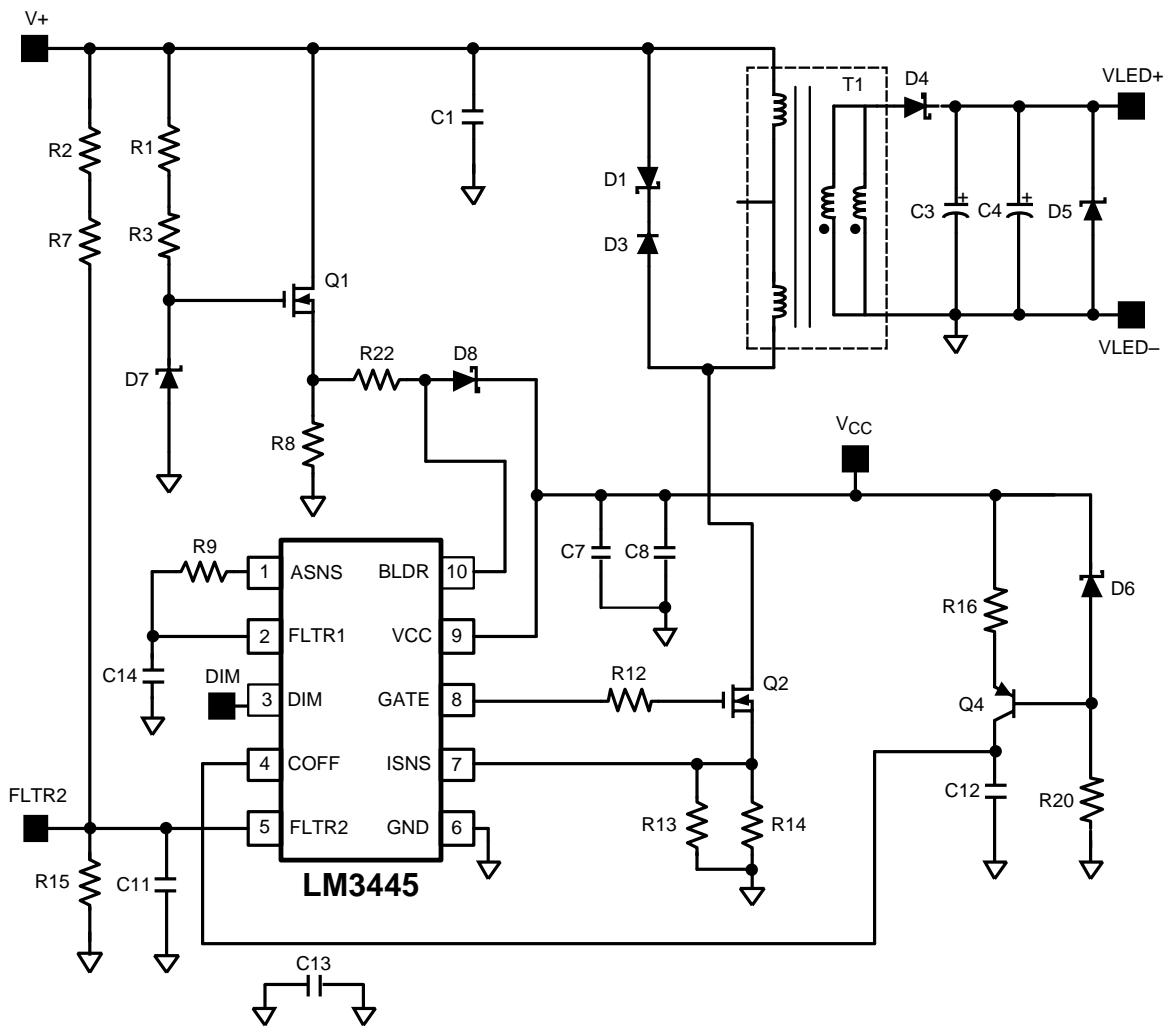


Figure 3. Demo Board Schematic

6 LM3445 Device Pin-Out

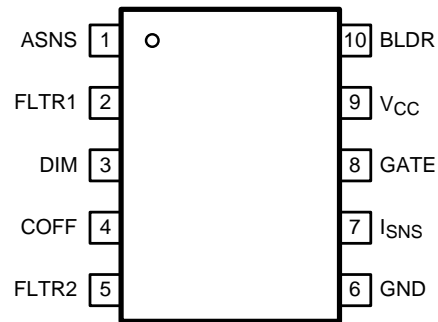


Figure 4. LM3445 Device Pin-Out

Table 1. Pin Description 10 Pin VSSOP

Pin #	Name	Description
1	ASNS	PWM output of the TRIAC dimmer decoder circuit. Outputs a 0 to 4V PWM signal with a duty cycle proportional to the TRIAC dimmer on-time.
2	FLTR1	First filter input. The 120Hz PWM signal from ASNS is filtered to a DC signal and compared to a 1 to 3V, 5.85 kHz ramp to generate a higher frequency PWM signal with a duty cycle proportional to the TRIAC dimmer firing angle. Pull above 4.9V (typical) to tri-state DIM.
3	DIM	Input/output dual function dim pin. This pin can be driven with an external PWM signal to dim the LEDs. It may also be used as an output signal and connected to the DIM pin of other LM3445 or LED drivers to dim multiple LED circuits simultaneously.
4	COFF	OFF time setting pin. A user set current and capacitor connected from the output to this pin sets the constant OFF time of the switching controller.
5	FLTR2	Second filter input. A capacitor tied to this pin filters the PWM dimming signal to supply a DC voltage to control the LED current. Could also be used as an analog dimming input.
6	GND	Circuit ground connection.
7	ISNS	LED current sense pin. Connect a resistor from main switching MOSFET source, ISNS to GND to set the maximum LED current.
8	GATE	Power MOSFET driver pin. This output provides the gate drive for the power switching MOSFET of the buck controller.
9	V _{CC}	Input voltage pin. This pin provides the power for the internal control circuitry and gate driver.
10	BLDR	Bleeder pin. Provides the input signal to the angle detect circuitry as well as a current path through a switched 230Ω resistor to ensure proper firing of the TRIAC dimmer.

7 Bill of Materials

Designator	Description	Manufacturer	Part Number
AA1	Printed Circuit Board	-	551600457-001A
C1	CAP .047UF 630V METAL POLYPRO	EPCOS Inc	B32559C6473K000
C2	CAP 10000PF X7R 250VAC X2 2220	Murata Electronics North America	GA355DR7GB103KY02L
C3, C4	CAP 330UF 35V ELECT PW	Nichicon	UPW1V331MPD6
C5	CAP CER .33UF 250V X7R 1812	TDK Corporation	C4532X7R2E334K
C6	CAP .10UF 305VAC EMI SUPPRESSION	EPCOS	B32921C3104M
C7	CAP, CERM, 0.1μF, 16V, +/-10%, X7R, 0805	Kemet	C0805C104K4RACTU
C8	CAP CER 47UF 16V X5R 1210	MuRata	GRM32ER61C476ME15L
C9	CAP CER .10UF 250V X7R 10% 1206	TDK	C3216X7R2E104K
C10	CAP CER .22UF 16V X7R 0603	MuRata	GRM188R71C224KA01D
C11	CAP CER 2200PF 50V 10% X7R 0603	MuRata	GRM188R71H222KA01D
C12	CAP CER 330PF 50V 5% C0G 0603	MuRata	GRM1885C1H331JA01D

Designator	Description	Manufacturer	Part Number
C13	CAP CER 2200PF 250VAC X1Y1 RAD	TDK Corporation	CD12-E2GA222MYNS
C14	CAP CERM .47UF 10% 25V X5R 0805	AVX	08053D474KAT2A
D1	DIODE TVS 150V 600W UNI 5% SMB	Littlefuse	SMAJ120A
D2	RECT BRIDGE GP 600V 0.5A MINIDIP	Diodes Inc.	RH06-T
D3	DIODE RECT GP 1A 1000V MINI-SMA	Comchip Technology	CGRM4007-G
D4	DIODE SCHOTTKY 100V 1A SMA	ST Microelectronics	STPS1H100A
D5	DIODE ZENER 30V 1.5W SMA	ON Semiconductor	1SMA5936BT3G
D6	DIODE ZENER 5.1V 200MW SOD-523F	Fairchild Semiconductor	MM5Z5V1
D7	DIODE ZENER 12V 200MW	Fairchild Semiconductor	MM5Z12V
D8	DIODE SWITCH 200V 200MW	Diode Inc	BAV20WS-7-F
F1	FUSE BRICK 1A 125V FAST 6125FA	Cooper/Bussmann	6125FA
J1, J2, J3, J4, TP8, TP9, TP10	16 GA WIRE HOLE, 18 GA WIRE HOLE	3M	923345-02-C
J5, J6	Conn Term Block, 2POS, 5.08mm PCB	Phoenix Contact	1715721
L1, L2	INDUCTOR 4700UH .13A RADIAL	TDK Corporation	TSL0808RA-472JR13-PF
Q1	MOSFET N-CH 600V 90MA SOT-89	Infineon Technologies	BSS225 L6327
Q2	MOSFET N-CH 600V 1.8A TO-251	Infineon Technology	SPU02N60S5
Q3	MOSFET N-CH 100V 170MA SC70-3	Diodes Inc	BSS123W-7-F
Q4	TRANS GP SS PNP 40V SOT323	On Semiconductor	MMBT3906WT1G
R1, R3	RES 200K OHM 1/4W 5% 1206 SMD	Vishay-Dale	CRCW1206200KJNEA
R2, R7	RES, 309k ohm, 1%, 0.25W, 1206	Vishay-Dale	CRCW1206309KFKEA
R4, R5	RES, 430 ohm, 5%, 0.25W, 1206	Vishay-Dale	CRCW1206430RJNEA
R6, R24	RES, 10.5k ohm, 1%, 0.125W, 0805	Vishay-Dale	CRCW080510K5FKEA
R8, R11	RES 49.9K OHM 1/10W 1% 0603 SMD	Vishay-Dale	CRCW060349K9FKEA
R9	RES 100K OHM 1/10W 1% 0603 SMD	Vishay-Dale	CRCW0603100KFKEA
R10	DNP	-	-
R12	RES 4.7 OHM 1/10W 5% 0603 SMD	Vishay-Dale	CRCW06034R70JNEA
R13	RES 10 OHM 1/8W 5% 0805 SMD	Vishay-Dale	CRCW080510R0JNEA
R14	RES 1.50 OHM 1/4W 1% 1206 SMD	Vishay-Dale	CRCW12061R50FNEA
R15	RES 3.48K OHM 1/10W 1% 0603 SMD	Vishay-Dale	CRCW06033K48FKEA
R16	RES 75.0K OHM 1/10W 1% 0603 SMD	Vishay-Dale	CRCW060375K0FKEA
R20	RES 30.1K OHM 1/10W 1% 0603 SMD	Vishay-Dale	CRCW060330K1FKEA
R22	RES 40.2 OHM 1/8W 1% 0805 SMD	Vishay-Dale	CRCW080540R2FKEA
RT1	CURRENT LIMITOR INRUSH 60OHM 20%	Cantherm	MF72-060D5
T1	Transformer	Würth Electronics	750311553 Rev. 01
TP2-TP5	Terminal, Turret, TH, Double	Keystone Electronics	1502-2
TP7	TEST POINT ICT	-	-
U1	TRIAC Dimmable Offline LED Driver, PowerWise™	Texas Instruments	LM3445

8 Demo Board Wiring Overview

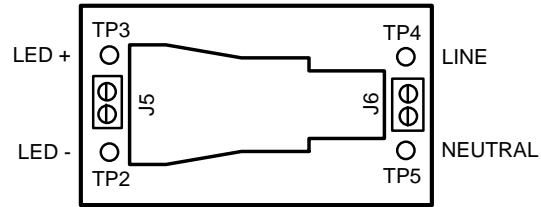


Figure 5. Wiring Connection Diagram

Table 2. Wiring Connection

Test Point	Name	I/O	Description
TP3	LED +	Output	LED Constant Current Supply Supplies voltage and constant-current to anode of LED string.
TP2	LED -	Output	LED Return Connection (not GND) Connects to cathode of LED string. Do NOT connect to GND.
TP4	LINE	Input	AC Line Voltage Connects directly to AC line or output of TRIAC dimmer of a 120VAC system.
TP5	NEUTRAL	Input	AC Neutral Connects directly to AC neutral of a 120VAC system.

9 Demo Board Assembly

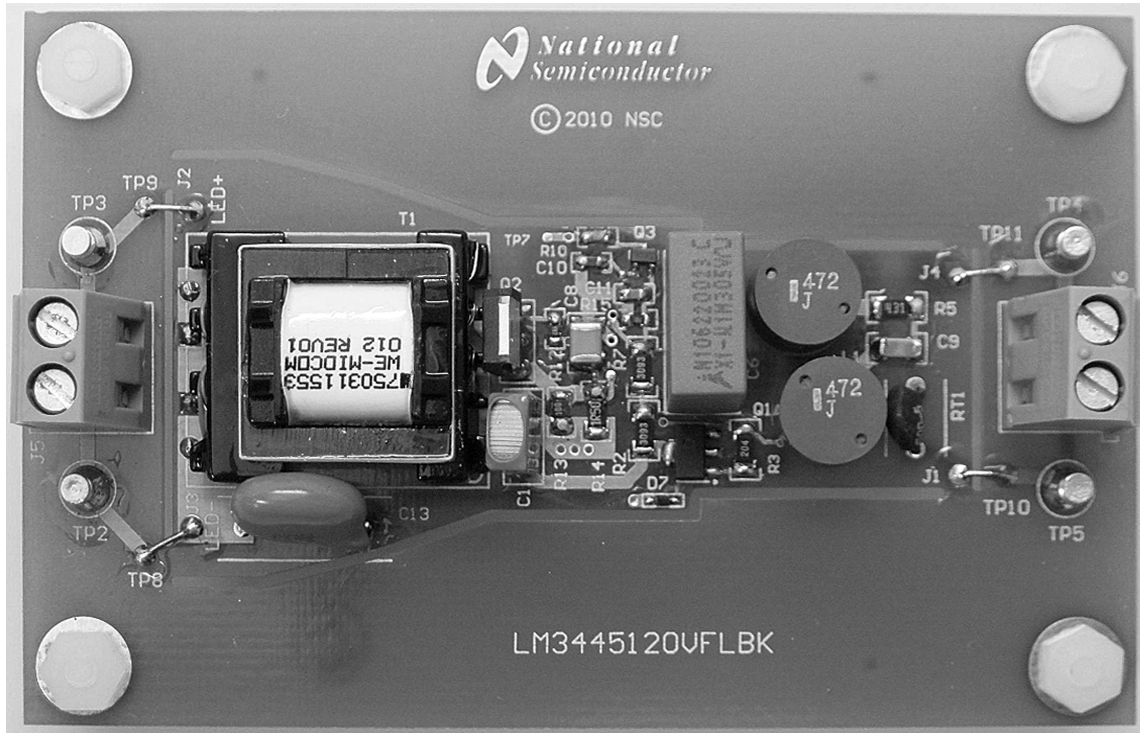


Figure 6. Top View

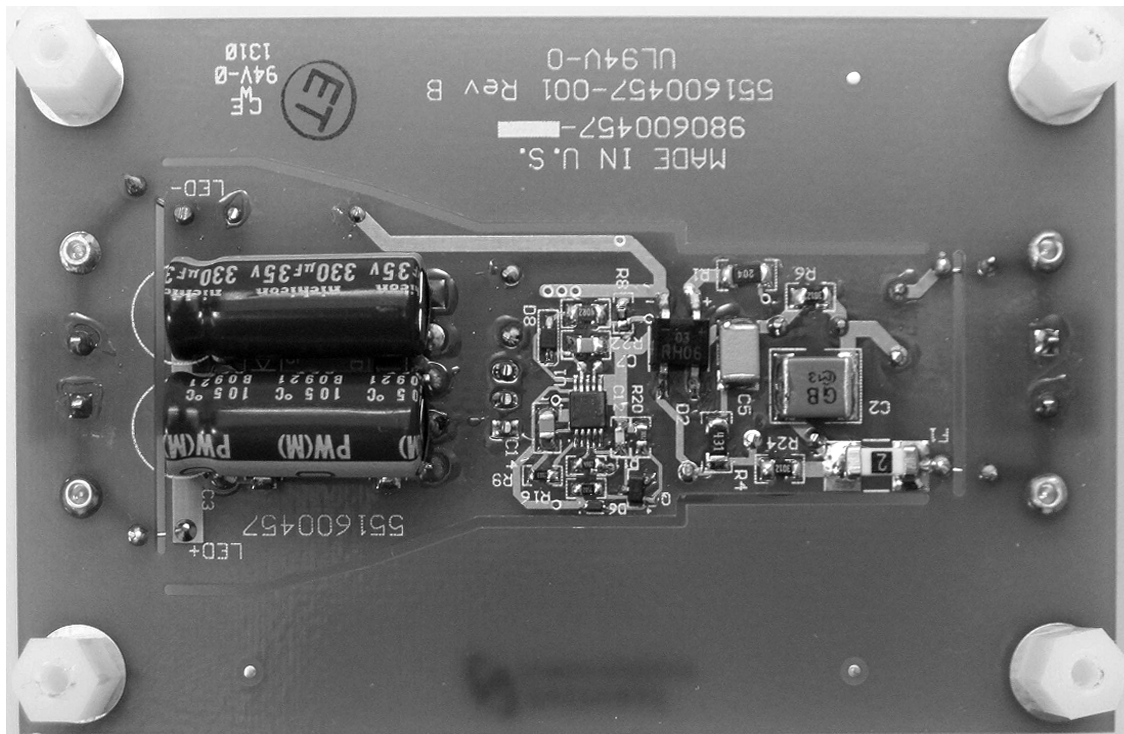


Figure 7. Bottom View

10 Typical Performance Characteristics

Original Circuit: $R_{14} = 1.50\Omega$; Modification A: $R_{14} = 1.20\Omega$; Modification B: $R_{14} = 1.00\Omega$; Modification C: $R_{14} = 0.75\Omega$

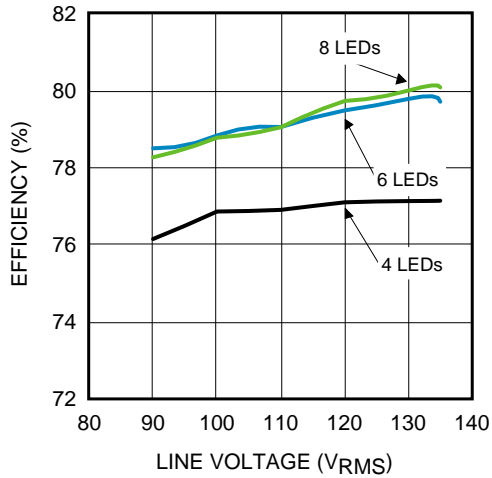


Figure 8. Efficiency vs. Line Voltage Original Circuit

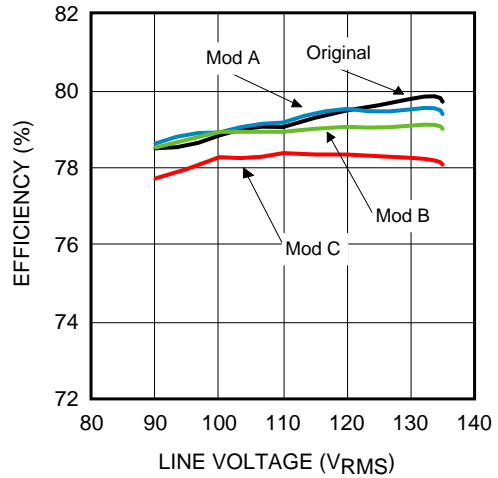


Figure 9. Efficiency vs. Line Voltage Modified Circuits

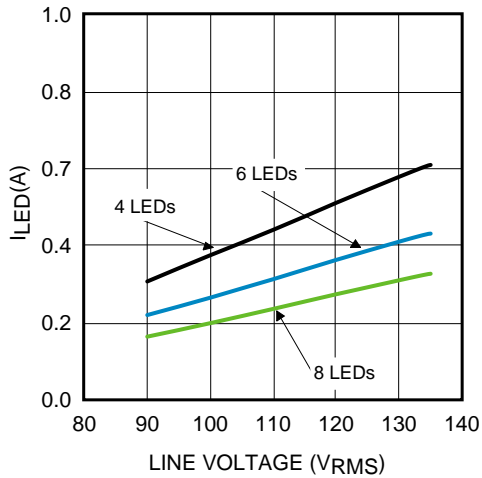


Figure 10. LED Current vs. Line Voltage Original Circuit

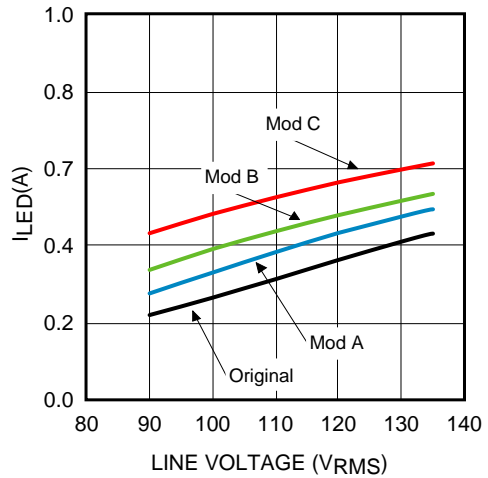


Figure 11. LED Current vs. Line Voltage Modified Circuits

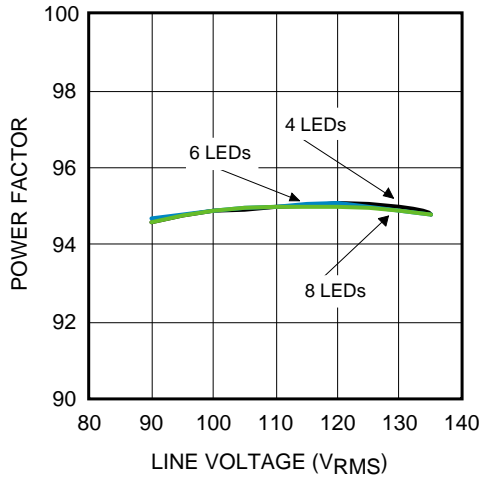


Figure 12. Power Factor vs. Line Voltage Original Circuit

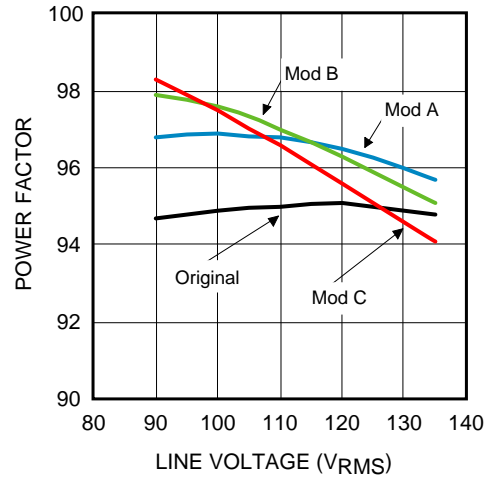


Figure 13. Power Factor vs. Line Voltage Modified Circuits

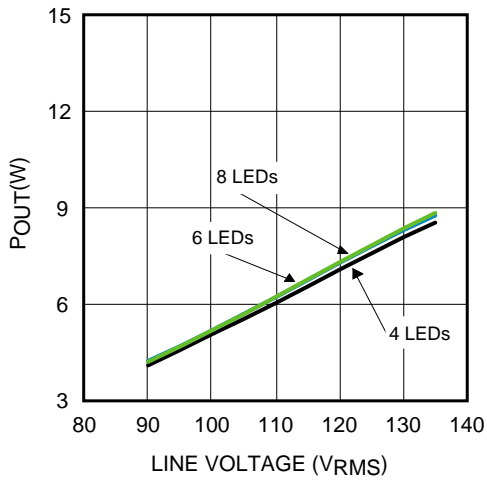


Figure 14. Output Power vs. Line Voltage Original Circuit

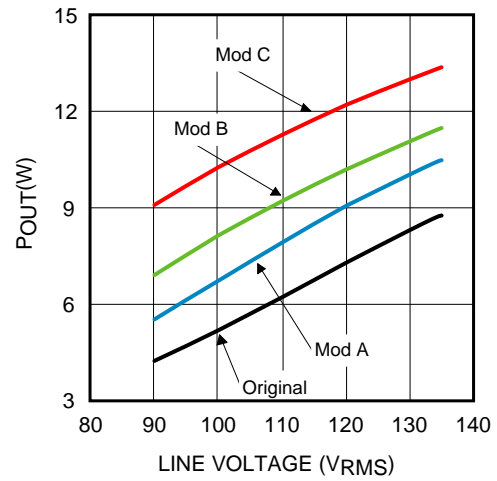


Figure 15. Output Power vs. Line Voltage Modified Circuits

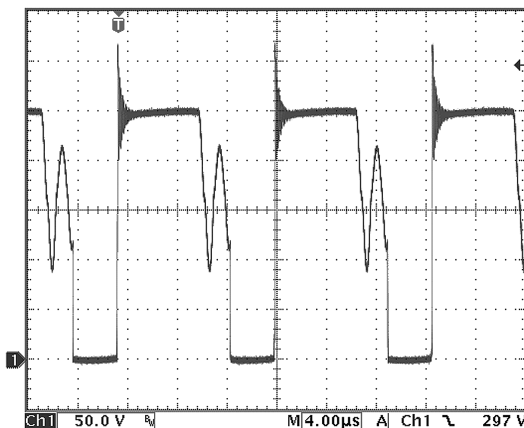


Figure 16. Power MOSFET Drain Voltage Waveform ($V_{IN} = 120V_{RMS}$, 6 LEDs, $I_{LED} = 350mA$)

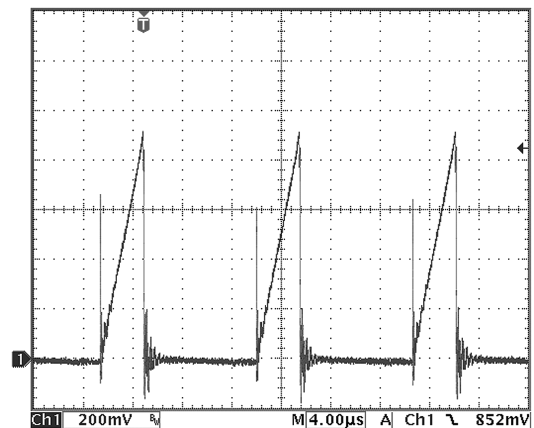


Figure 17. Current Sense Waveform ($V_{IN} = 120V_{RMS}$, 6 LEDs, $I_{LED} = 350mA$)

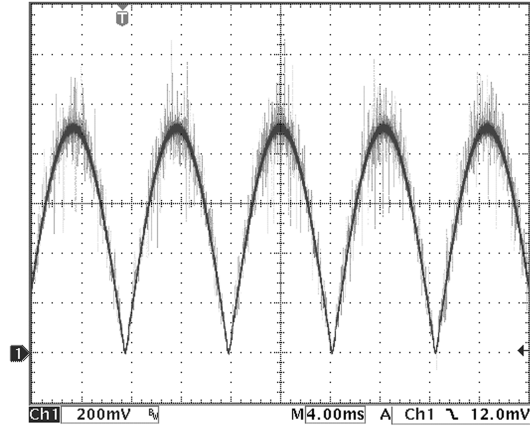


Figure 18. FLTR2 Waveform
($V_{IN} = 120V_{RMS}$, 6 LEDs, $I_{LED} = 350mA$)

11 PCB Layout

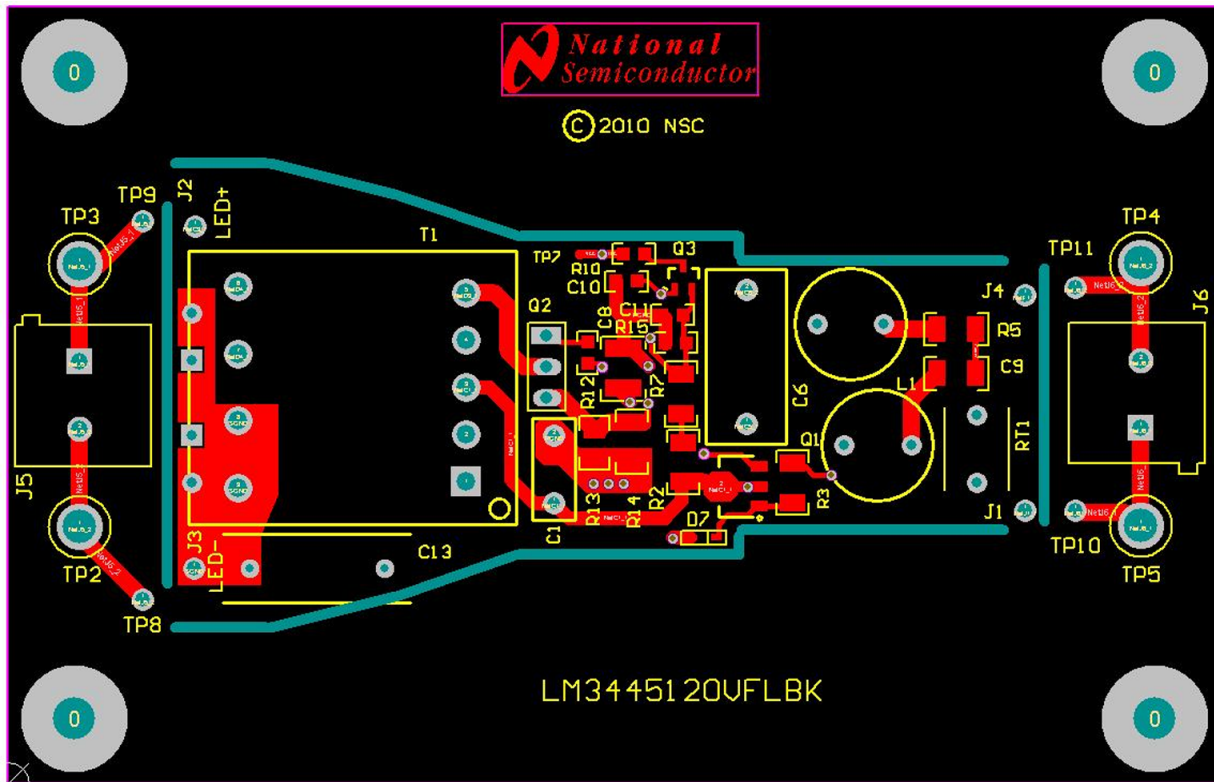


Figure 19. Top Layer

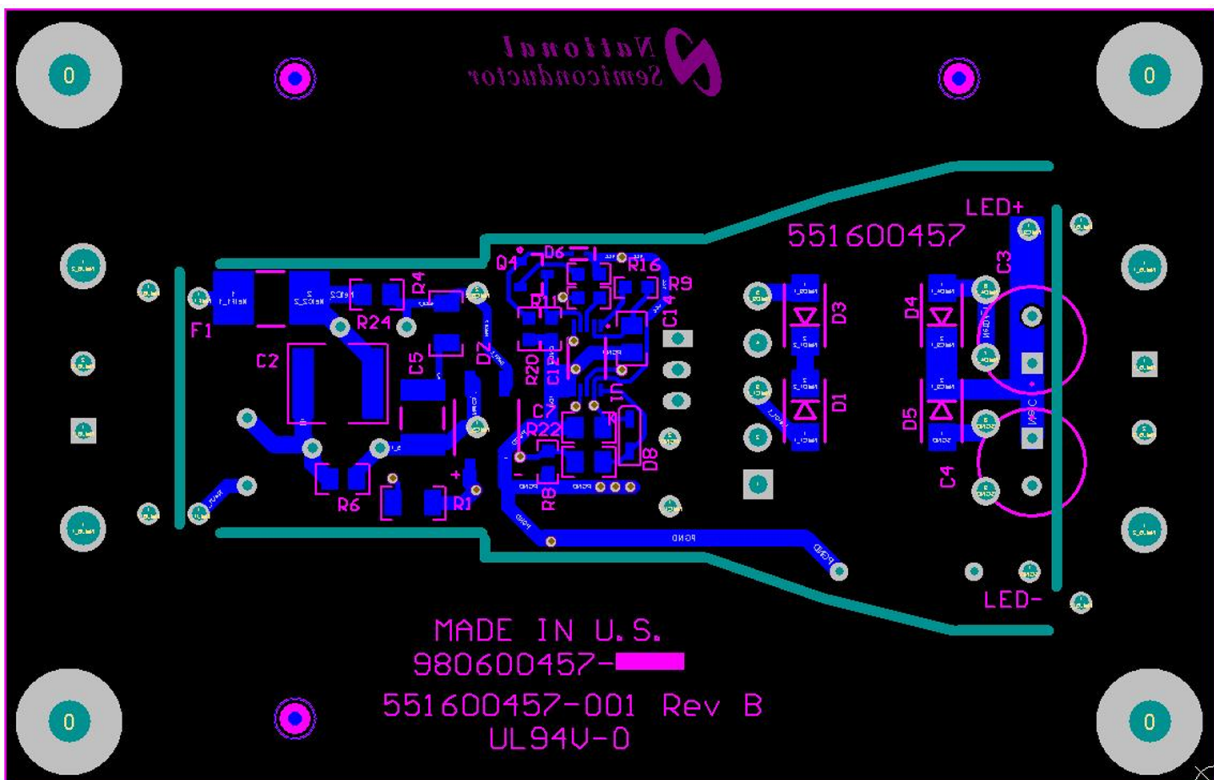
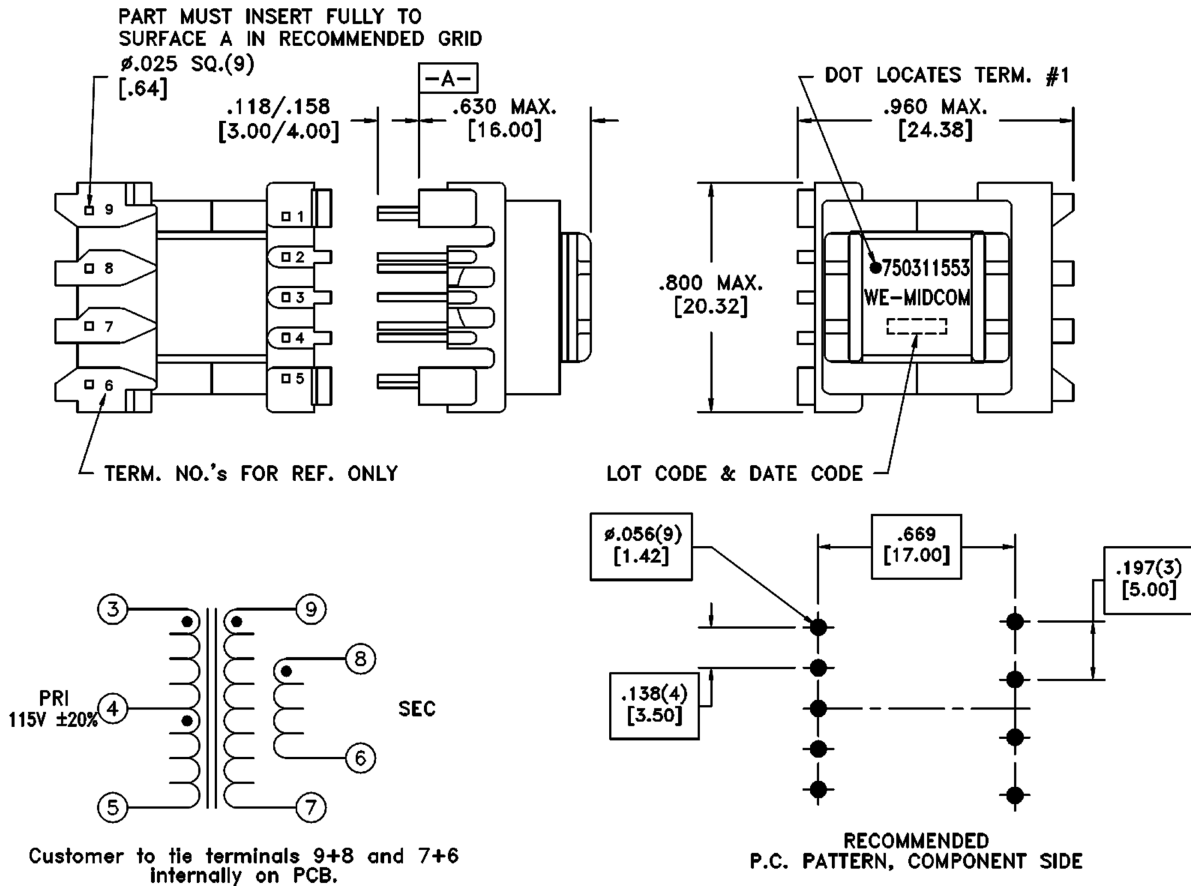


Figure 20. Bottom Layer

12 Transformer Design

Mfg: Wurth Electronics, Part #: 750311553 Rev. 01



ELECTRICAL SPECIFICATIONS @ 25°C unless otherwise noted:

PARAMETER	TEST CONDITIONS	VALUE
D.C. RESISTANCE	3-5 @20°C	1.35 ohms max.
D.C. RESISTANCE	8-6 @20°C	0.284 ohms max.
D.C. RESISTANCE	9-7 @20°C	0.284 ohms max.
INDUCTANCE	3-5 100kHz, 100mVAC, Ls	803.5uH ±10%
INDUCTANCE	9-7 100kHz, 100mVAC, Ls	50.2uH ±10%
INDUCTANCE	8-6 100kHz, 100mVAC, Ls	50.2uH ±10%
LEAKAGE INDUCTANCE	tie(9+8+7+6), 100kHz, 100mVAC, Ls	5.50uH typ., 7.0uH max.
DIELECTRIC	tie(9+8), 4500VAC, 1 second	4500VAC, 1 minute
URNS RATIO	(3-5):(9-7)	4:1, ±2%
URNS RATIO	(3-5):(8-6)	4:1, ±2%

GENERAL SPECIFICATIONS:

OPERATING TEMPERATURE RANGE: -40°C to +125°C including temp rise.

Designed to comply with the following requirements as defined by IEC61558-2-17:
 - Reinforced insulation for a primary circuit at a working voltage of 400VDC.

13 Experimental Results

The LED driver is designed to accurately emulate an incandescent light bulb and therefore behave as an emulated resistor. The resistor value is determined based on the LED string configuration and the desired output power. The circuit then operates in open-loop, with a fixed duty cycle based on a constant on-time and constant off-time that is set by selecting appropriate circuit components. Like an incandescent lamp, the driver is compatible with both forward and reverse phase dimmers.

13.1 Non-Dimming Performance

In steady state, the LED string voltage is measured to be 20.1 V and the average LED current is measured as 365 mA. The 120 Hz current ripple flowing through the LED string was measured to be 182 mA_{pk-pk} at full load. The magnitude of the ripple is a function of the value of energy storage capacitors connected across the output port and the TRIAC firing angle. The ripple current can be reduced by increasing the value of energy storage capacitor or by increasing the LED string voltage. With TRIAC dimmers, the ripple magnitude is directly proportional to the input power and therefore reduces at lower LED current.

The LED driver switching frequency is measured to be close to the specified 78.5 kHz. The circuit operates with a constant duty cycle of 0.28 and consumes near 9.2 W of input power. The driver steady state performance for an LED string consisting of 6 series LEDs without using a TRIAC dimmer is summarized in [Table 3](#).

Table 3. Measured Efficiency and Line Regulation (6 LEDs, No TRIAC Dimmer)

V _{IN} (V _{RMS})	I _{IN} (mA _{RMS})	P _{IN} (W)	V _{OUT} (V)	I _{LED} (mA)	P _{OUT} (W)	Efficiency (%)	Power Factor
89.98	64	5.44	19.24	222	4.27	78.5	94.7
95.03	67	6.03	19.40	244	4.73	78.5	94.8
100.00	70	6.62	19.55	267	5.22	78.8	94.9
104.97	73	7.24	19.69	291	5.73	79.1	95.0
110.03	76	7.90	19.83	315	6.25	79.1	95.0
115.00	78	8.55	19.95	340	6.78	79.3	95.1
120.05	81	9.21	20.06	365	7.32	79.5	95.1
125.02	83	9.84	20.14	389	7.83	79.6	95.0
129.99	85	10.44	20.22	412	8.33	79.8	94.9
135.04	86	11.02	20.29	433	8.79	79.7	94.8

Table 4. LED Current, Output Power Versus Number of LEDs for Various Circuit Modifications (V_{IN} = 120 V_{AC}, no TRIAC Dimmer)

# of LEDs	Original Circuit ⁽¹⁾		Modification A ⁽¹⁾		Modification B ⁽¹⁾		Modification C ⁽¹⁾	
	I _{LED} (mA)	P _{OUT} (W)	I _{LED} (mA)	P _{OUT} (W)	I _{LED} (mA)	P _{OUT} (W)	I _{LED} (mA)	P _{OUT} (W)
4	513	7.11	627	8.83	683	10.03	805	11.91
6	365	7.32	435	9.09	481	10.22	566	12.23
8	276	7.34	334	9.16	367	10.16	431	12.12

⁽¹⁾ Original Circuit: R14 = 1.50Ω; Modification A: R14 = 1.20Ω; Modification B: R14 = 1.00Ω; Modification C: R14 = 0.75Ω

13.2 Dimming Performance

The LED driver is capable of matching or exceeding the dimming performance of an incandescent lamp. Using a simple rotary TRIAC dimmer, smooth and near logarithmic dimming performance is achieved. By varying the firing angle of the TRIAC dimmer and measuring the corresponding input and output parameters, the dimming performance of the demonstration board driving 6 LEDs is summarized in [Table 5](#).

Table 5. Measured Efficiency and Line Regulation Data (with TRIAC Dimmer)

V_{IN} (V _{RMS})	V_o (V)	I_o (mA)	P_{OUT} (W)
115.0	19.9	351	7.0
110.1	19.8	323	6.4
105.2	19.7	295	5.8
100.4	19.6	269	5.3
95.5	19.6	258	5.0
90.7	19.5	248	4.8
85.2	19.4	222	4.3
80.2	19.3	199	3.8
75.1	19.2	176	3.4
70.8	19.1	159	3.0
65.5	18.7	138	2.6
60.5	18.8	120	2.3
55.2	18.6	101	1.9
50.6	18.5	86	1.6
45.7	18.3	72	1.3
39.4	18.0	54	1.0
34.2	17.8	42	0.7
30.3	17.6	33	0.6
26.0	17.4	25	0.4
20.0	17.0	15	0.3
15.2	16.6	9	0.1

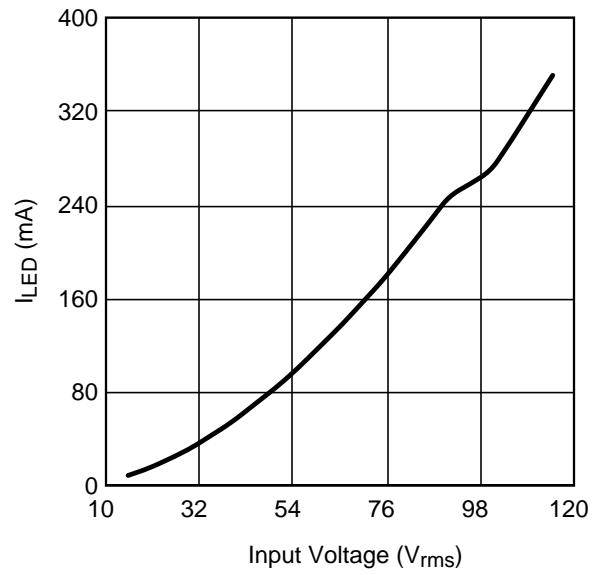


Figure 21. LED Current vs. Input Voltage (using Dimmer)

13.3 Power Factor Performance

The LED driver is able to achieve close to unity power factor (P.F. ~ 0.95) which meets Energy Star requirements. This design also exhibits low current harmonics as a percentage of the fundamental current (as shown in the following figure) and therefore meets the requirements of the IEC 61000-3-2 Class-3 standard.

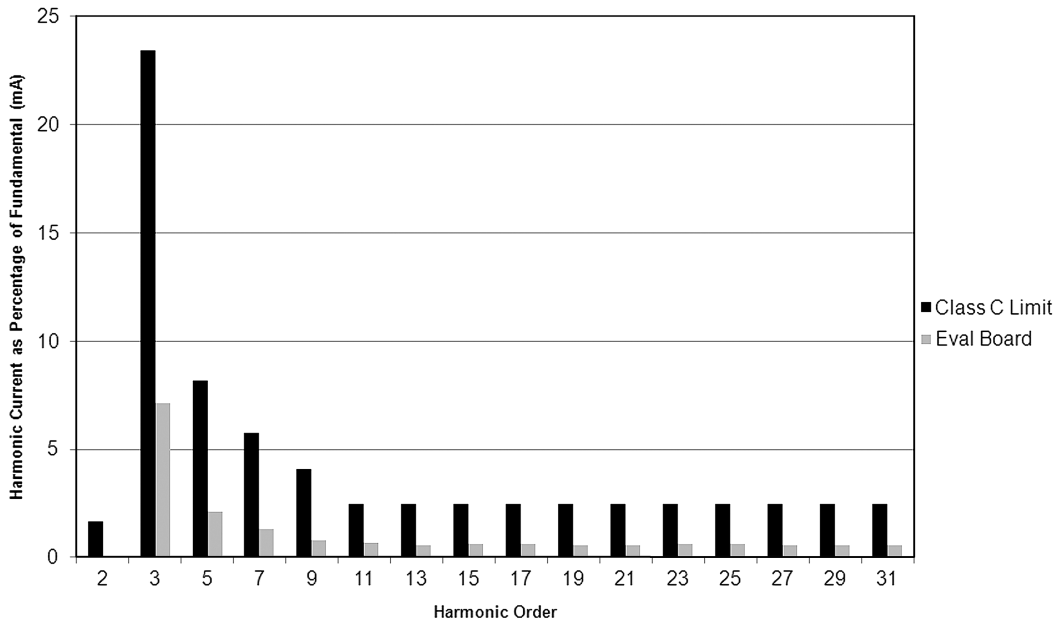


Figure 22. Current Harmonic Performance vs. EN/IEC61000-3-2 Class C Limits

14 Circuit Operation With Rotary Forward Phase TRIAC Dimmer

The dimming operation of the circuit was verified using a forward phase rotary TRIAC dimmer. Waveforms captured at different dimmer settings are shown in the following figures.

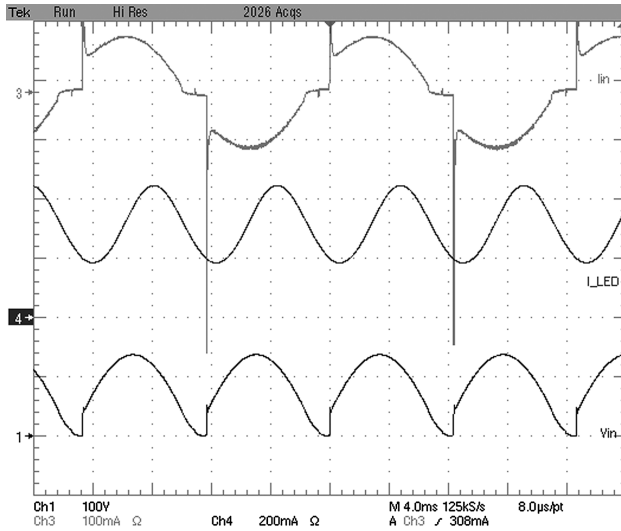


Figure 23. Forward Phase Circuit at Full Brightness

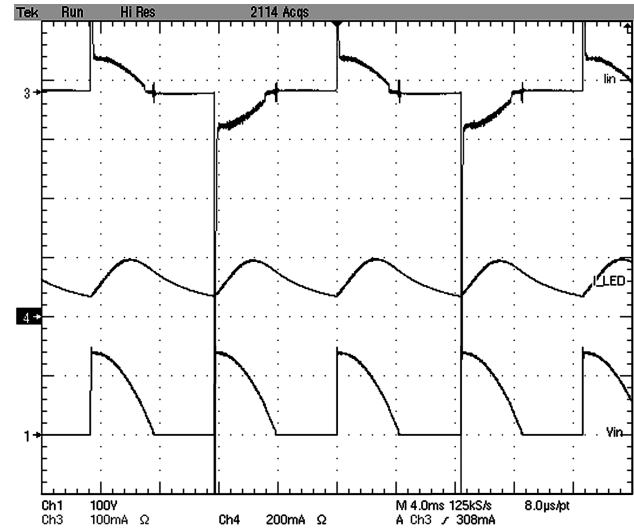


Figure 24. Forward Phase Circuit at 90° Firing Angle

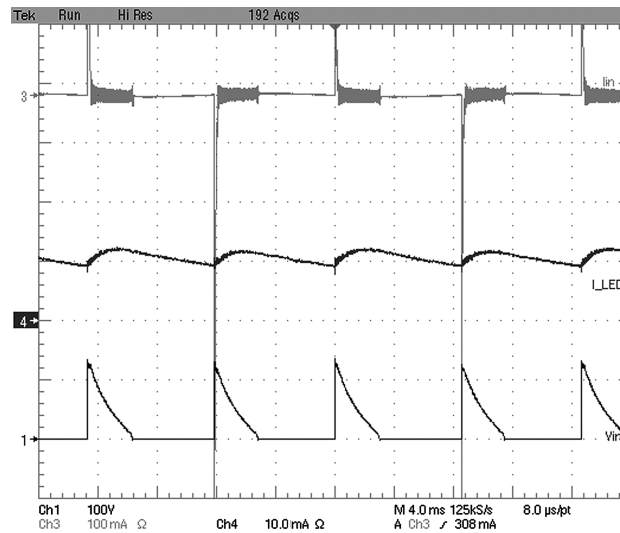


Figure 25. Forward Phase Circuit at 150° Firing Angle

15 Circuit Operation With Reverse Phase TRIAC Dimmer

The circuit operation was also verified using a reverse phase dimmer and waveforms captured at different dimmer settings are shown in the following figures.

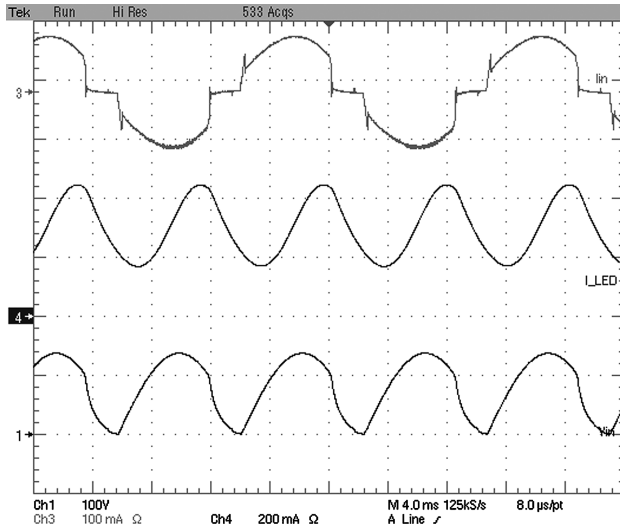


Figure 26. Reverse Phase Circuit at Full Brightness

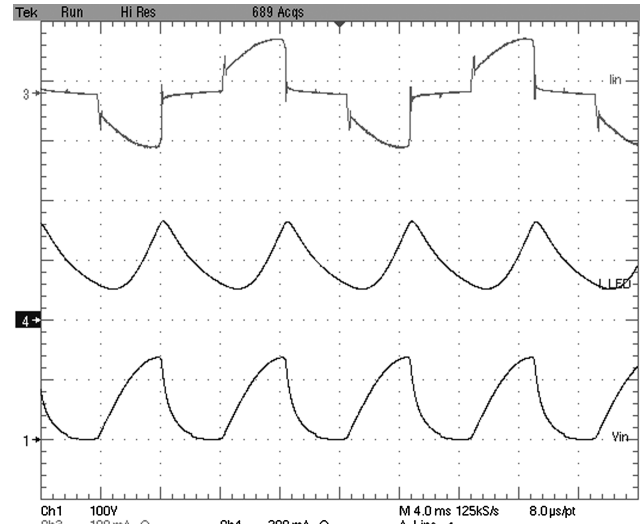


Figure 27. Reverse Phase Circuit at 90° Firing Angle

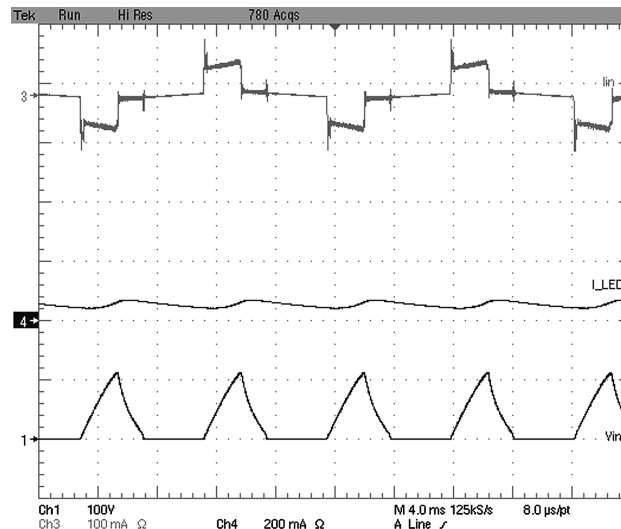


Figure 28. Reverse Phase Circuit at 150° Firing Angle

16 Electromagnetic Interference (EMI)

The EMI input filter of this evaluation board is configured as shown in [Figure 29](#).

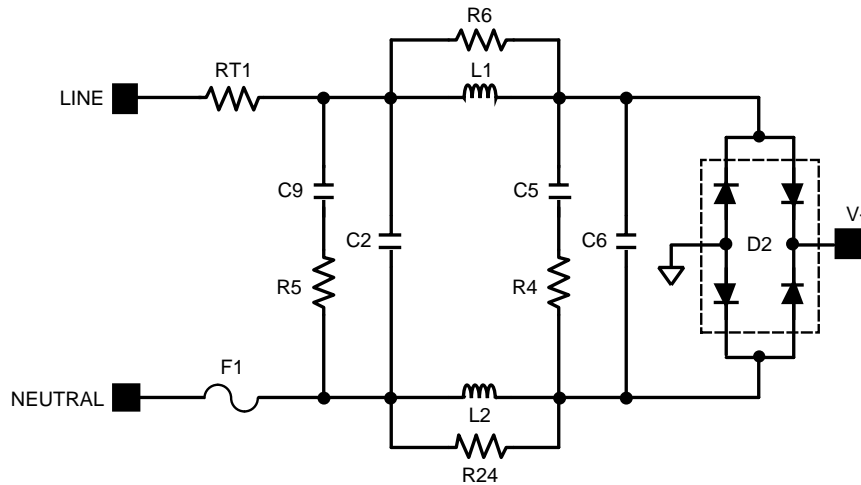


Figure 29. Input EMI Filter and Rectifier Circuit

In order to get a quick estimate of the EMI filter performance, only the PEAK conductive EMI scan was measured and the data was compared to the Class B conducted EMI limits published in FCC – 47, section 15.

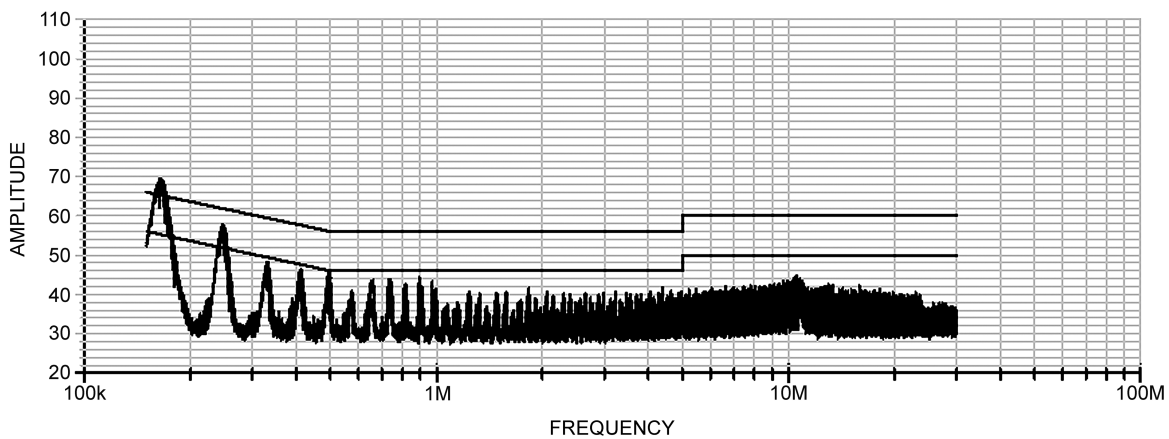


Figure 30. Peak Conductive EMI Scan per CISPR-22, Class B Limits

If an additional 33nF of input capacitance (that is, C6) is utilized in the input filter, the EMI conductive performance is further improved as shown in [Figure 31](#).

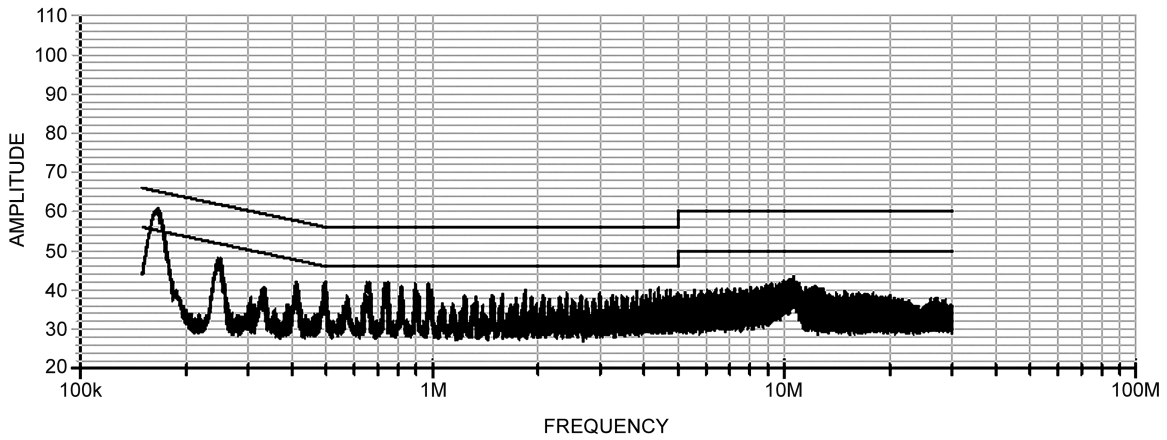


Figure 31. Peak Conductive EMI Scan with Additional 33nF of Input Capacitance

17 Thermal Analysis

The board temperature was measured using an IR camera (HIS-3000, Wahl) while running under the following conditions:

- $V_{IN} = 120 V_{RMS}$
- $I_{LED} = 365 mA$
- Number of LEDs = 6
- $P_{OUT} = 7.3 W$

The results are shown in the following figures.

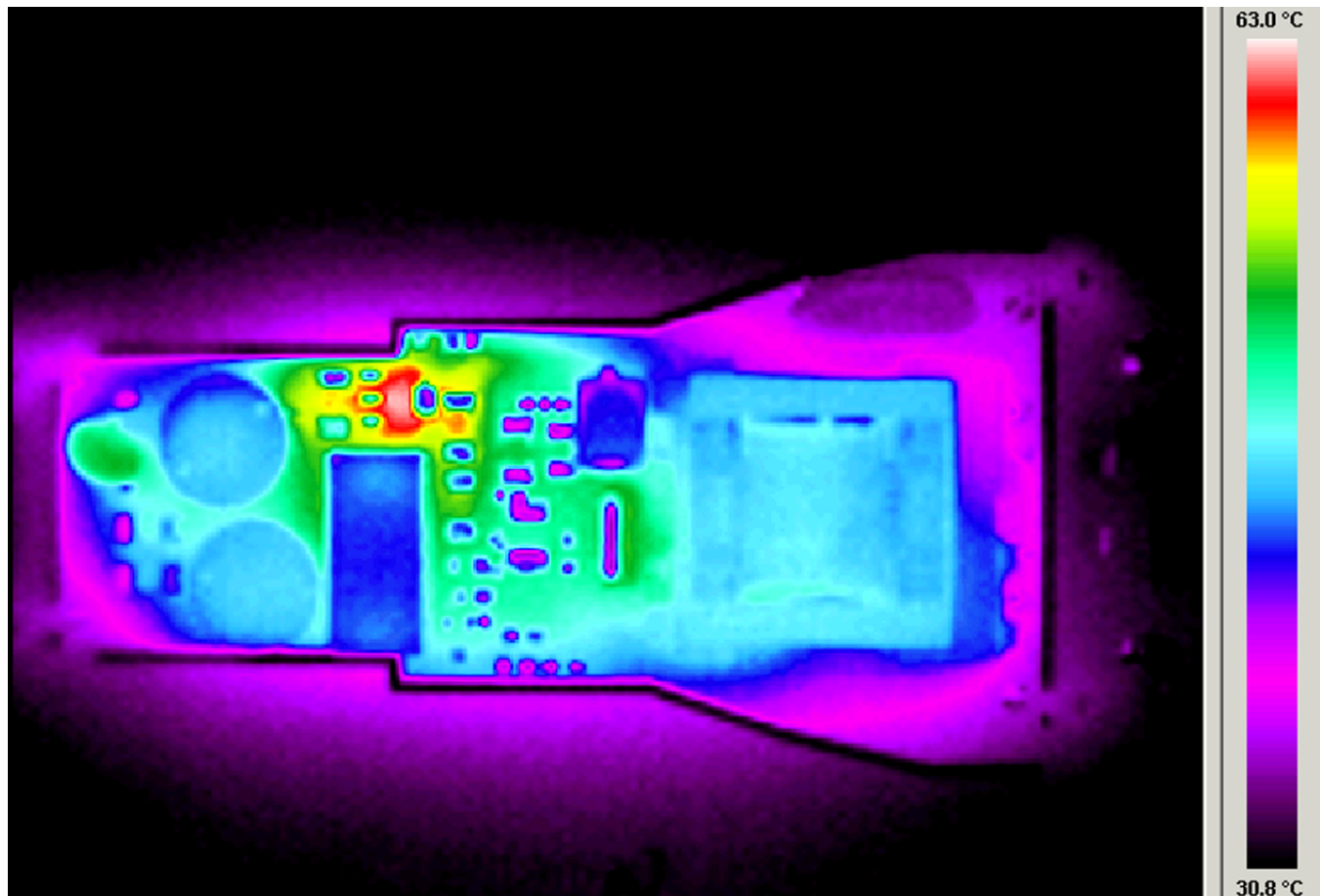


Figure 32. Top Side Thermal Scan

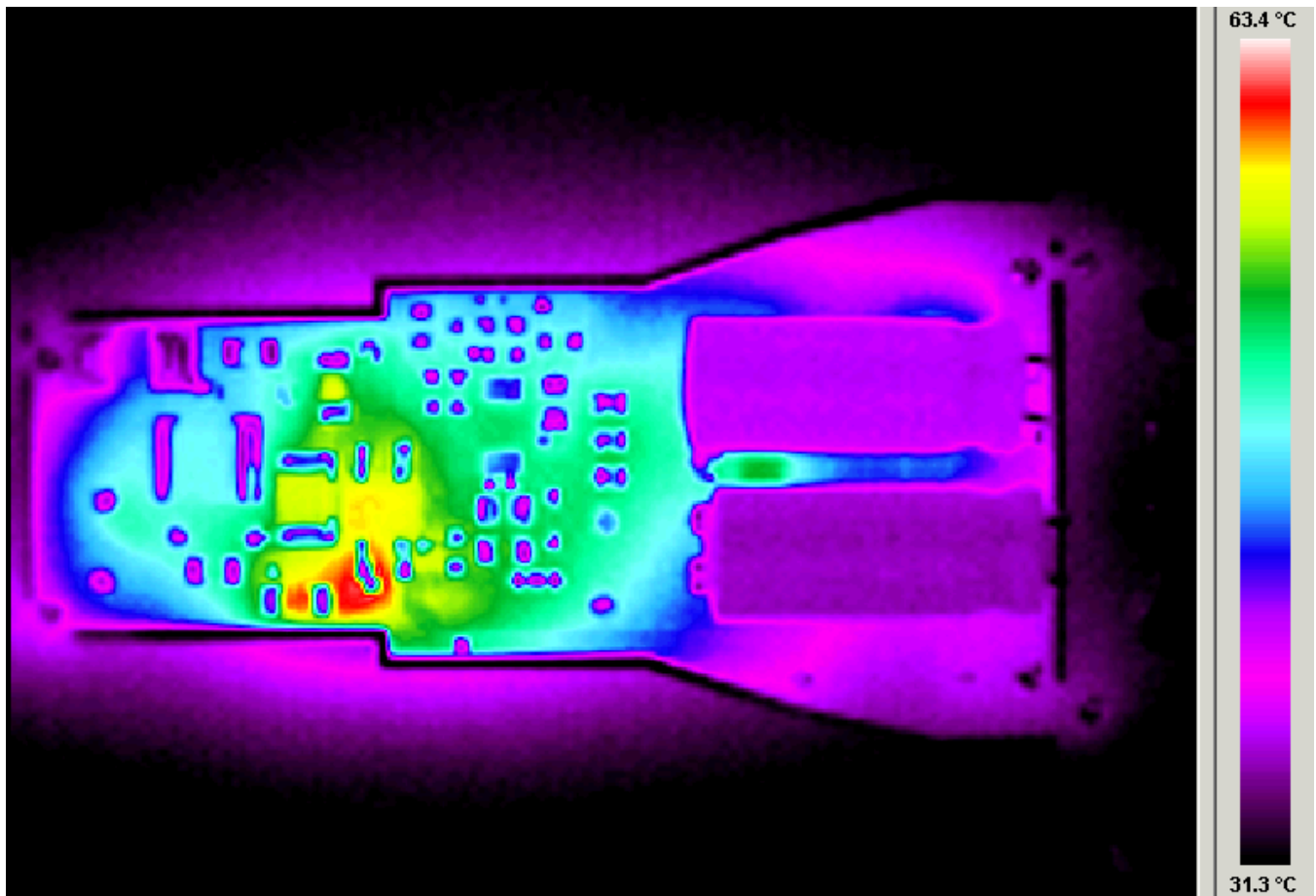


Figure 33. Bottom Side Thermal Scan

18 Circuit Analysis and Explanations

18.1 Injecting Line Voltage into Filter-2 (Achieving PFC > 0.95)

If a small portion (750mV to 1.00V) of line voltage is injected at FLTR2 of the LM3445, the circuit is essentially turned into a constant power flyback as shown in [Figure 34](#).

The LM3445 works as a constant off-time controller normally, but by injecting the 1.0V rectified AC voltage into the FLTR2 pin, the on-time can be made to be constant. With a DCM Flyback, Δi needs to increase as the input voltage line increases. Therefore a constant on-time (since inductor L is constant) can be obtained.

By using the line voltage injection technique, the FLTR2 pin has the voltage wave shape shown in [Figure 35](#) on it with no TRIAC dimmer in-line. Voltage at V_{FLTR2} peak should be kept below 1.25V. At 1.25V current limit is tripped. C11 is small enough not to distort the AC signal but adds a little filtering.

Although the on-time is probably never truly constant, it can be observed in [Figure 36](#) how (by adding the rectified voltage) the on-time is adjusted.

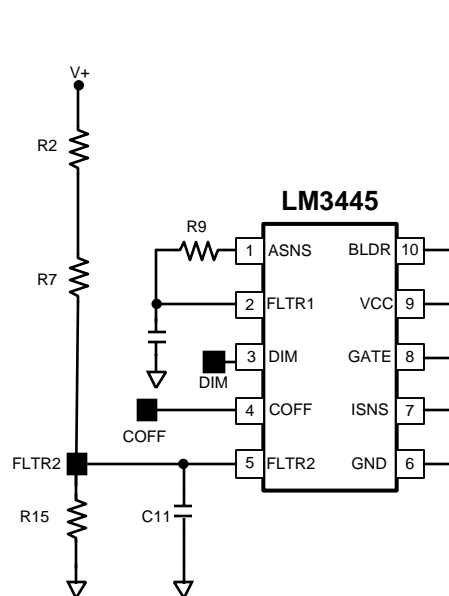


Figure 34. Line Voltage Injection Circuit

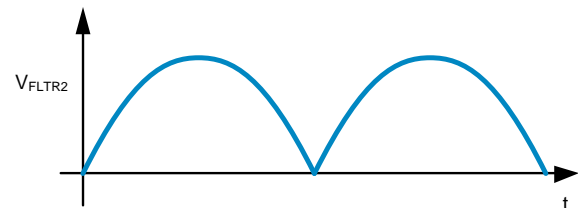


Figure 35. FLTR2 Waveform with No Dimmer

For this evaluation board, the following resistor values are used:

$$R2 = R7 = 309k\Omega$$

$$R15 = 3.48k\Omega$$

Therefore the voltages observed on the FLTR2 pin will be as follows for listed input voltages:

$$\text{For } V_{IN} = 90V_{RMS}, V_{FLTR2} = 0.71V$$

$$\text{For } V_{IN} = 120V_{RMS}, V_{FLTR2} = 0.95V$$

$$\text{For } V_{IN} = 135V_{RMS}, V_{FLTR2} = 1.07V$$

Using this technique, a power factor greater than 0.95 can be achieved without additional passive active power factor control (PFC) circuitry.

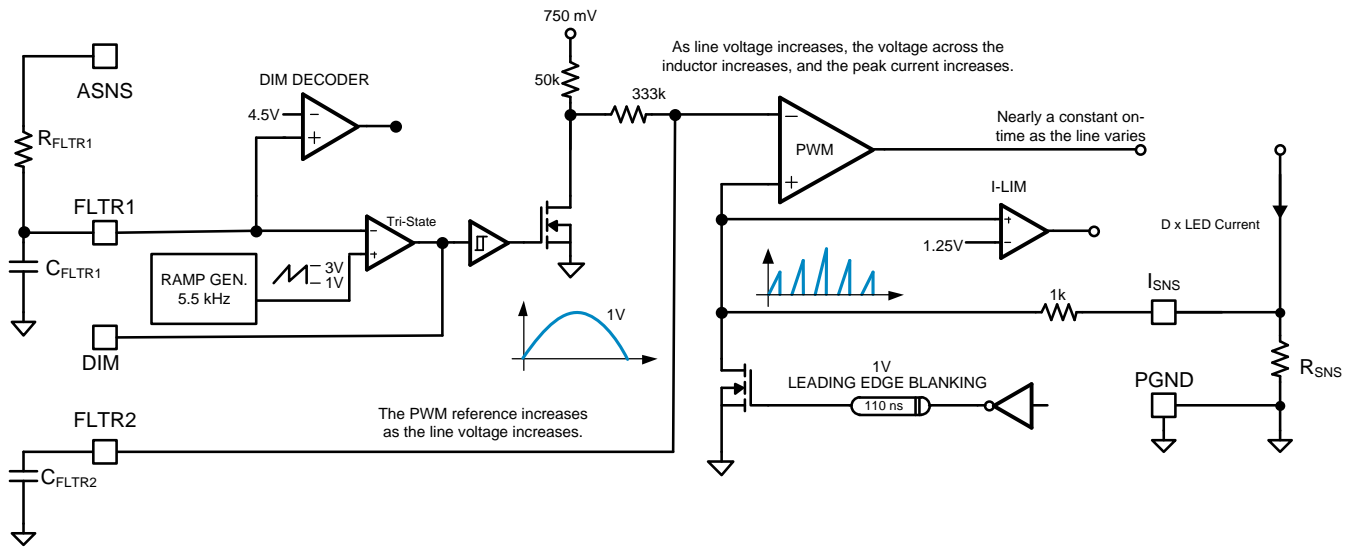


Figure 36. Typical Operation of FLTR2 Pin

IMPORTANT NOTICE

Texas Instruments Incorporated and its subsidiaries (TI) reserve the right to make corrections, enhancements, improvements and other changes to its semiconductor products and services per JESD46, latest issue, and to discontinue any product or service per JESD48, latest issue. Buyers should obtain the latest relevant information before placing orders and should verify that such information is current and complete. All semiconductor products (also referred to herein as "components") are sold subject to TI's terms and conditions of sale supplied at the time of order acknowledgment.

TI warrants performance of its components to the specifications applicable at the time of sale, in accordance with the warranty in TI's terms and conditions of sale of semiconductor products. Testing and other quality control techniques are used to the extent TI deems necessary to support this warranty. Except where mandated by applicable law, testing of all parameters of each component is not necessarily performed.

TI assumes no liability for applications assistance or the design of Buyers' products. Buyers are responsible for their products and applications using TI components. To minimize the risks associated with Buyers' products and applications, Buyers should provide adequate design and operating safeguards.

TI does not warrant or represent that any license, either express or implied, is granted under any patent right, copyright, mask work right, or other intellectual property right relating to any combination, machine, or process in which TI components or services are used. Information published by TI regarding third-party products or services does not constitute a license to use such products or services or a warranty or endorsement thereof. Use of such information may require a license from a third party under the patents or other intellectual property of the third party, or a license from TI under the patents or other intellectual property of TI.

Reproduction of significant portions of TI information in TI data books or data sheets is permissible only if reproduction is without alteration and is accompanied by all associated warranties, conditions, limitations, and notices. TI is not responsible or liable for such altered documentation. Information of third parties may be subject to additional restrictions.

Resale of TI components or services with statements different from or beyond the parameters stated by TI for that component or service voids all express and any implied warranties for the associated TI component or service and is an unfair and deceptive business practice. TI is not responsible or liable for any such statements.

Buyer acknowledges and agrees that it is solely responsible for compliance with all legal, regulatory and safety-related requirements concerning its products, and any use of TI components in its applications, notwithstanding any applications-related information or support that may be provided by TI. Buyer represents and agrees that it has all the necessary expertise to create and implement safeguards which anticipate dangerous consequences of failures, monitor failures and their consequences, lessen the likelihood of failures that might cause harm and take appropriate remedial actions. Buyer will fully indemnify TI and its representatives against any damages arising out of the use of any TI components in safety-critical applications.

In some cases, TI components may be promoted specifically to facilitate safety-related applications. With such components, TI's goal is to help enable customers to design and create their own end-product solutions that meet applicable functional safety standards and requirements. Nonetheless, such components are subject to these terms.

No TI components are authorized for use in FDA Class III (or similar life-critical medical equipment) unless authorized officers of the parties have executed a special agreement specifically governing such use.

Only those TI components which TI has specifically designated as military grade or "enhanced plastic" are designed and intended for use in military/aerospace applications or environments. Buyer acknowledges and agrees that any military or aerospace use of TI components which have **not** been so designated is solely at the Buyer's risk, and that Buyer is solely responsible for compliance with all legal and regulatory requirements in connection with such use.

TI has specifically designated certain components as meeting ISO/TS16949 requirements, mainly for automotive use. In any case of use of non-designated products, TI will not be responsible for any failure to meet ISO/TS16949.

Products

Audio	www.ti.com/audio
Amplifiers	amplifier.ti.com
Data Converters	dataconverter.ti.com
DLP® Products	www.dlp.com
DSP	dsp.ti.com
Clocks and Timers	www.ti.com/clocks
Interface	interface.ti.com
Logic	logic.ti.com
Power Mgmt	power.ti.com
Microcontrollers	microcontroller.ti.com
RFID	www.ti-rfid.com
OMAP Applications Processors	www.ti.com/omap
Wireless Connectivity	www.ti.com/wirelessconnectivity

Applications

Automotive and Transportation	www.ti.com/automotive
Communications and Telecom	www.ti.com/communications
Computers and Peripherals	www.ti.com/computers
Consumer Electronics	www.ti.com/consumer-apps
Energy and Lighting	www.ti.com/energy
Industrial	www.ti.com/industrial
Medical	www.ti.com/medical
Security	www.ti.com/security
Space, Avionics and Defense	www.ti.com/space-avionics-defense
Video and Imaging	www.ti.com/video

TI E2E Community

e2e.ti.com