
STLINK-V3SET debugger/programmer for STM8 and STM32

Introduction

The STLINK-V3SET is a stand-alone modular debugging and programming probe for the STM8 and STM32 microcontrollers. This product is composed of the main module and the complementary adapter board. It supports the SWIM and JTAG/SWD interfaces for the communication with any STM8 or STM32 microcontroller located on an application board.

The STLINK-V3SET provides a Virtual COM port interface allowing the host PC to communicate with the target microcontroller through one UART. It also provides bridge interfaces to several communication protocols allowing, for instance, the programming of the target through the bootloader.

The STLINK-V3SET can provide a second Virtual COM port interface allowing the host PC to communicate with the target microcontroller through another UART (called bridge UART). Bridge UART signals, including optional RTS and CTS, are available on the adapter board only (MB1440). The second Virtual COM port activation is done through a reversible firmware update, which also disables the mass storage interface (used for drag-and-drop Flash programming).

The modular architecture of STLINK-V3SET enables to extend its main features through additional modules such as the adapter board and B-STLINK-VOLT for voltage adaptation.

Figure 1. STLINK-V3SET product top view



Picture is not contractual.

Contents

- 1 Features 7**
- 2 General information 8**
- 3 Ordering information 8**
- 4 Development environment 9**
 - 4.1 System requirements 9
 - 4.2 Development toolchains 9
- 5 Conventions 9**
- 6 Quick start 10**
- 7 STLINK-V3SET functional description 11**
 - 7.1 STLINK-V3SET overview 11
 - 7.1.1 Main module for high performance 11
 - 7.1.2 Adapter configuration for added functions 12
 - 7.1.3 How to build the adapter configuration for added functions 13
 - 7.2 Hardware layout 14
 - 7.3 STLINK-V3SET functions 18
 - 7.3.1 SWD with SWV 18
 - 7.3.2 JTAG 19
 - 7.3.3 SWIM 19
 - 7.3.4 Virtual COM port (VCP) 19
 - 7.3.5 Bridge functions 19
 - 7.3.6 LEDs 21
 - 7.4 Jumper configuration 21
- 8 Board connectors 22**
 - 8.1 Connectors on MB1441 board 22
 - 8.1.1 USB Micro-B 22
 - 8.1.2 STDC14 (STM32 JTAG/SWD and VCP) 23
 - 8.2 Connectors on MB1440 board 23

8.2.1	STDC14 (STM32 JTAG/SWD and VCP)	23
8.2.2	Legacy Arm 20-pin JTAG/SWD IDC connector	23
8.2.3	Virtual COM port connector	24
8.2.4	SWIM connector	24
8.2.5	CAN connector	25
8.2.6	SWD connector	25
8.2.7	UART/I ² C/CAN bridge connector	25
8.2.8	SPI/GPIO bridge connector	26
8.2.9	Bridge 20-pins connector	26
9	Flat ribbons	28
10	Mechanical information	29
11	Software configuration	30
11.1	Supporting toolchains (not exhaustive)	30
11.2	Drivers and firmware upgrade	30
11.3	STLINK-V3SET frequency selection	30
11.4	Mass storage interface	30
11.5	Bridge interface	31
12	B-STLINK-VOLT board extension description	32
12.1	Features	32
12.2	Connection instructions	32
12.2.1	Closed casing for STM32 debug (STDC14 connector only)	32
12.2.2	Opened casing for access to all connectors (through MB1440 adapter board)	34
12.3	Selection of bridge GPIO direction	35
12.4	Jumper configuration	36
12.5	Target voltage connection	36
12.6	Board connectors	37
12.6.1	STDC14 (STM32 JTAG/SWD and VCP)	37
12.6.2	UART/I ² C/CAN bridge connector	37
12.6.3	SPI/GPIO bridge connector	37
13	STLINK-V3SET and B-STLINK-VOLT information	38

13.1	Product marking	38
13.2	Board revision history	38
13.2.1	MB1440	38
13.2.2	MB1441	38
13.2.3	MB1598	38
13.3	Known limitations	39
13.3.1	MB1440	39
13.3.2	MB1441	39
13.3.3	MB1598	39
Appendix A Federal Communications Commission (FCC).....		40
15.3	FCC Compliance Statement.....	40
15.3.1	Part 15.19	40
Revision history		41

List of tables

Table 1.	Ordering information	8
Table 2.	ON/OFF convention	9
Table 3.	MB1441 jumper configuration	21
Table 4.	MB1440 jumper configuration	21
Table 5.	USB Micro-B connector pinout CN5	22
Table 6.	STDC14 connector pinout CN1	23
Table 7.	Legacy Arm 20-pin JTAG/SWD IDC connector CN2	24
Table 8.	Virtual COM port connector CN3	24
Table 9.	SWIM connector CN4	24
Table 10.	CAN connector CN5	25
Table 11.	SWD (wires) connector CN6	25
Table 12.	UART bridge connector CN7	26
Table 13.	SPI bridge connector CN8	26
Table 14.	Bridge connector CN9	26
Table 15.	ARM10-compatible connector pinout (target side)	28
Table 16.	ARM20-compatible connector pinout (target side)	28
Table 17.	Toolchain versions supporting STLINK-V3SET	30
Table 18.	MB1598 jumper configuration	36
Table 19.	Document revision history	41

List of figures

Figure 1.	STLINK-V3SET product top view	1
Figure 2.	Probe top side.	11
Figure 3.	Connections	12
Figure 4.	Probe with adapter	12
Figure 5.	Operating mode to change the configuration	13
Figure 6.	Hardware board MB1441	14
Figure 7.	Hardware board MB1440	15
Figure 8.	MB1441 top layout	16
Figure 9.	MB1441 bottom layout	16
Figure 10.	MB1440 top layout	17
Figure 11.	MB1441 mechanical drawing	17
Figure 12.	MB1440 mechanical drawing	18
Figure 13.	Firmware selection for a second Virtual COM port	20
Figure 14.	USB Micro-B connector CN5 (front view)	22
Figure 15.	MB1441 mechanical dimensions (in millimeters)	29
Figure 16.	Closed casing for STM32 debug (STDC14 connector only)	33
Figure 17.	Opened casing for access to all connectors (through MB1440 adapter board)	35
Figure 18.	B-STLINK-VOLT	36

1 Features

- Stand-alone probe with modular extensions
- Self-powered through a USB connector (Micro-B)
- USB 2.0 high-speed compatible interface
- Direct firmware update support (DFU)
- JTAG / serial wire debugging (SWD) specific features:
 - 3 V to 3.6 V application voltage support and 5 V tolerant inputs (extended down to 1.65 V with the B-STLINK-VOLT board)
 - Flat cables STDC14 to MIPI10 / STDC14 / MIPI20 (connectors with 1.27 mm pitch)
 - JTAG communication support
 - SWD and serial wire viewer (SWV) communication support
- SWIM specific features (only available with adapter board MB1440):
 - 1.65 V to 5.5 V application voltage support
 - SWIM header (2.54 mm pitch)
 - SWIM low-speed and high-speed modes support
- Virtual COM port (VCP) specific features:
 - 3 V to 3.6 V application voltage support on the UART interface and 5 V tolerant inputs (extended down to 1.65 V with the B-STLINK-VOLT board)
 - VCP frequency up to 15 MHz
 - Available on STDC14 debug connector (not available on MIPI10)
- Multi-path bridge USB to SPI/UART/I²C/CAN/GPIOs specific features:
 - 3 V to 3.6 V application voltage support and 5 V tolerant inputs (extended down to 1.65 V with the B-STLINK-VOLT board)
 - Signals available on adapter board only (MB1440)
- Drag-and-drop Flash programming of binary files
- Two-color LEDs: communication, power

Note: The STLINK-V3SET product does not provide the power supply to the target application. B-STLINK-VOLT is not required for STM8 targets, for which voltage adaptation is performed on the baseline adapter board (MB1440) provided with the STLINK-V3SET.

2 General information

The STLINK-V3SET embeds an STM32 32-bit microcontroller based on the Arm^{®(a)} Cortex[®]-M processor.



3 Ordering information

To order the STLINK-V3SET or any additional board (provided separately), refer to [Table 1](#).

Table 1. Ordering information

Order code	Board reference	Description
STLINK-V3SET	MB1441 ⁽¹⁾ MB1440 ⁽²⁾	STLINK-V3 modular in-circuit debugger and programmer for STM8 and STM32
B-STLINK-VOLT	MB1598	Voltage adapter board for STLINK-V3SET

1. Main module.
2. Adapter board.

a. Arm is a registered trademark of Arm Limited (or its subsidiaries) in the US and/or elsewhere.

4 Development environment

4.1 System requirements

- Windows® OS (7, 8 and 10), Linux® 64-bit, or macOS®(a)(b)
- USB Type-A to Micro-B cable

4.2 Development toolchains

- IAR Systems - IAR Embedded Workbench®(c)
- Keil® - MDK-ARM(c)
- STMicroelectronics - STM32CubeIDE

5 Conventions

[Table 2](#) provides the conventions used for the ON and OFF settings in the present document.

Table 2. ON/OFF convention

Convention	Definition
Jumper JPx ON	Jumper fitted
Jumper JPx OFF	Jumper not fitted
Jumper JPx [1-2]	Jumper should be fitted between Pin 1 and Pin 2
Solder bridge SBx ON	SBx connections closed by 0-ohm resistor
Solder bridge SBx OFF	SBx connections left open

a. macOS® is a trademark of Apple Inc. registered in the U.S. and other countries.

b. All other trademarks are the property of their respective owners.

c. On Windows® only.

6 Quick start

This section describes how to start development quickly using the STLINK-V3SET.

Before installing and using the product, accept the Evaluation Product License Agreement from the www.st.com/epla web page.

The STLINK-V3SET is a stand-alone modular debugging and programming probe for STM8 and STM32 microcontrollers.

- It support protocols SWIM, JTAG and SWD to communicate with any STM8 or STM32 microcontroller.
- It provides a Virtual COM port interface allowing the host PC to communicate with the target microcontroller through one UART
- It provides bridge interfaces to several communication protocols allowing, for instance, the programming of the target through the bootloader.

To start using this board, follow the steps below:

1. Check that all items are available inside the box (V3S + 3 flat cables + adapter board and its guide).
2. Install/update the IDE/STM32CubeProgrammer to support the STLINK-V3SET (drivers).
3. Choose a flat cable and connect it between the STLINK-V3SET and the application.
4. Connect a USB Type-A to Micro-B cable between the STLINK-V3SET and the PC.
5. Check that the PWR LED is green and the COM LED is red.
6. Open the development toolchain or STM32CubeProgrammer (STM32CubeProg) software utility.

For more details, refer to the www.st.com/stlink-v3set website.

7 STLINK-V3SET functional description

7.1 STLINK-V3SET overview

The STLINK-V3SET is a stand-alone modular debugging and programming probe for the STM8 and STM32 microcontrollers. This product supports many functions and protocols for debugging, programming, or communicating with one or several targets. The STLINK-V3SET package includes complete hardware with the main module for high performance and an adapter board for added functions to connect with wires or flat cables anywhere into the application.

This module is fully powered by the PC. If the COM LED blinks red, refer to the *Overview of ST-LINK derivatives* technical note (TN1235) for details.

7.1.1 Main module for high performance

This configuration is the preferred one for high performance. It only supports STM32 microcontrollers. The working voltage range is from 3 V to 3.6 V.

Figure 2. Probe top side



The protocols and functions supported are:

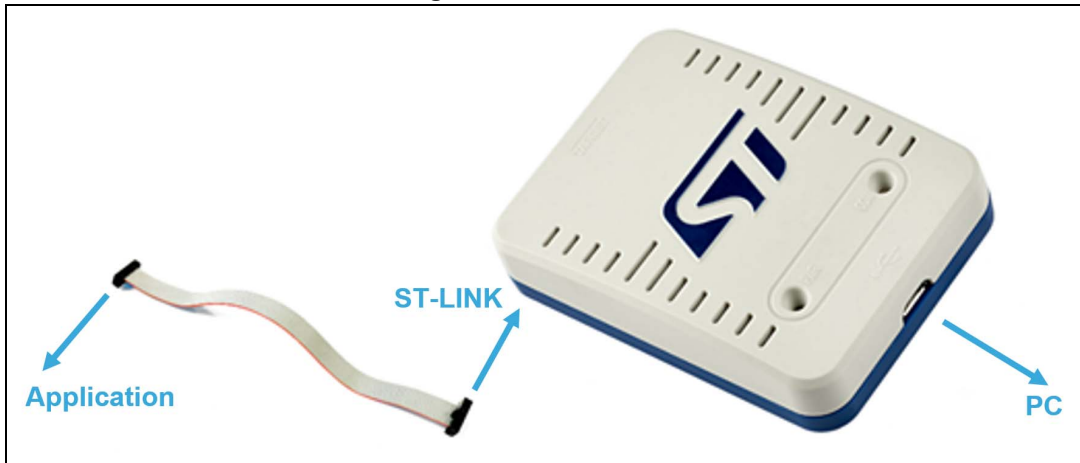
- SWD with SWO (up to 24 MHz)
- JTAG (up to 21 MHz)
- VCP (from 720 bps to 15 Mbps)

A 2x7-pin male connector with 1.27 mm pitch is located in the STLINK-V3SET for connection to the application target. Three different flat cables are included in the packaging

to connect with standard connectors MIPI10/ARM10, STDC14, and ARM20 (refer to [Section 9: Flat ribbons on page 28](#)).

See [Figure 3](#) for connections:

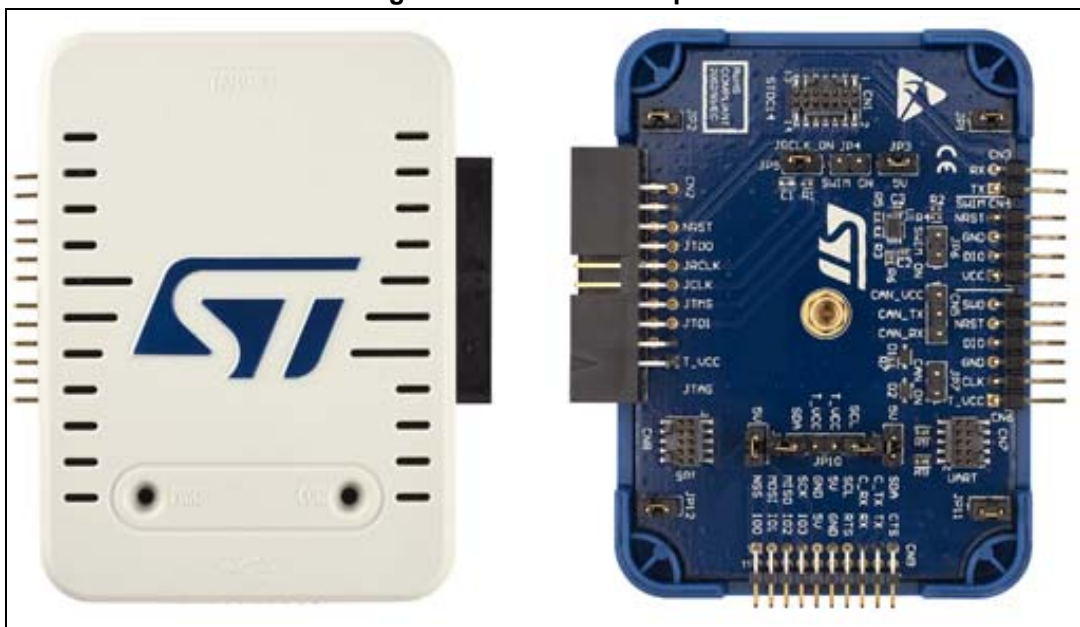
Figure 3. Connections



7.1.2 Adapter configuration for added functions

This configuration favors the connection to targets using wires or flat cables. It is composed of MB1441 and MB1440. It supports debugging, programming, and communicating with STM32 and STM8 microcontrollers.

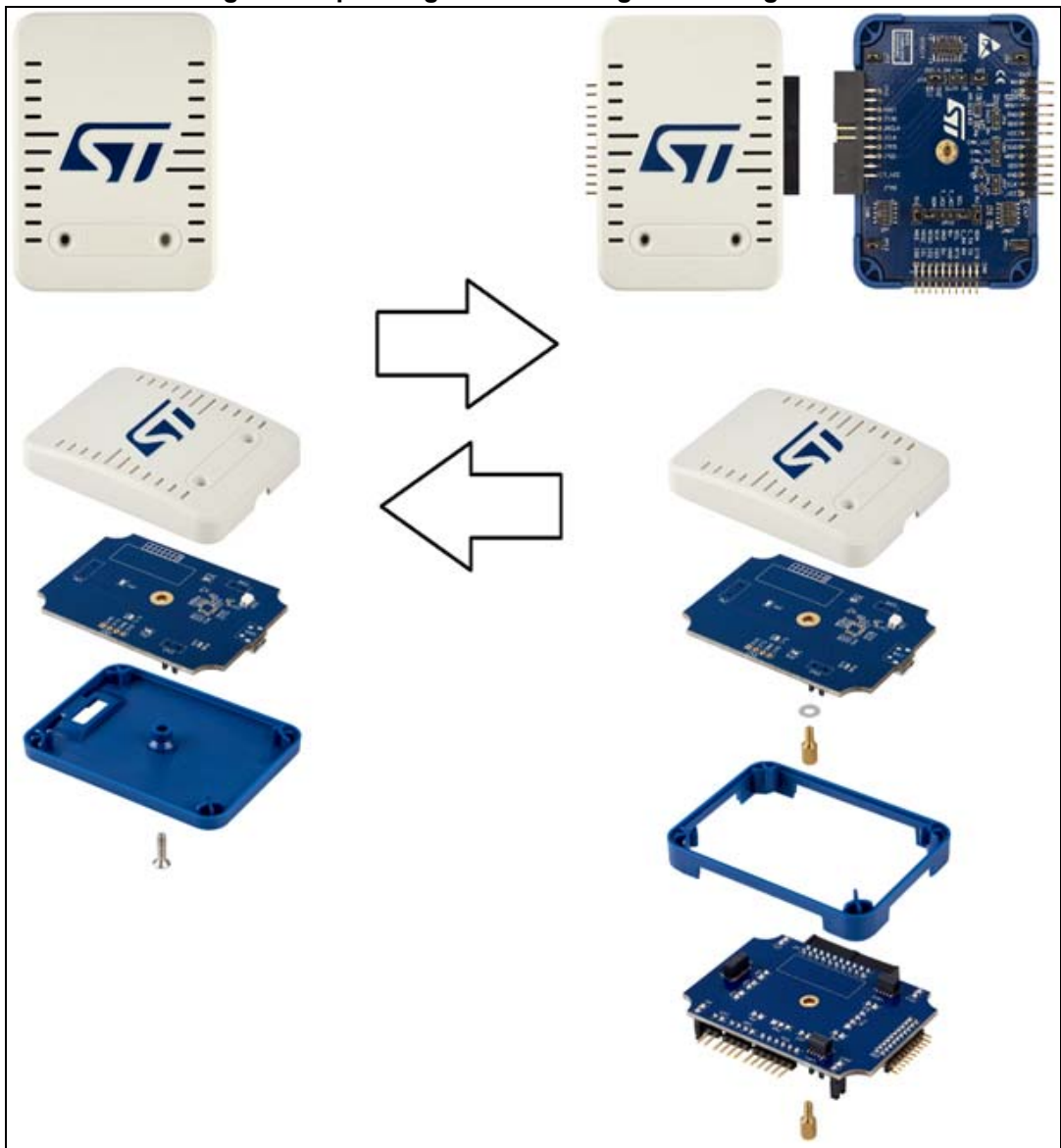
Figure 4. Probe with adapter



7.1.3 How to build the adapter configuration for added functions

See the operating mode below to build the adapter configuration from the main module configuration and back.

Figure 5. Operating mode to change the configuration



7.2 Hardware layout

The STLINK-V3SET product is designed around the STM32F723 microcontroller (176-pin in UFBGA package). The hardware board pictures ([Figure 6](#) and [Figure 7](#)) show the two boards included in the package in their standard configurations (components and jumpers). [Figure 8](#), [Figure 9](#), and [Figure 10](#) help users locate the features on the boards. The mechanical dimensions of the STLINK-V3SET product are shown in [Figure 11](#) and [Figure 12](#).

Figure 6. Hardware board MB1441

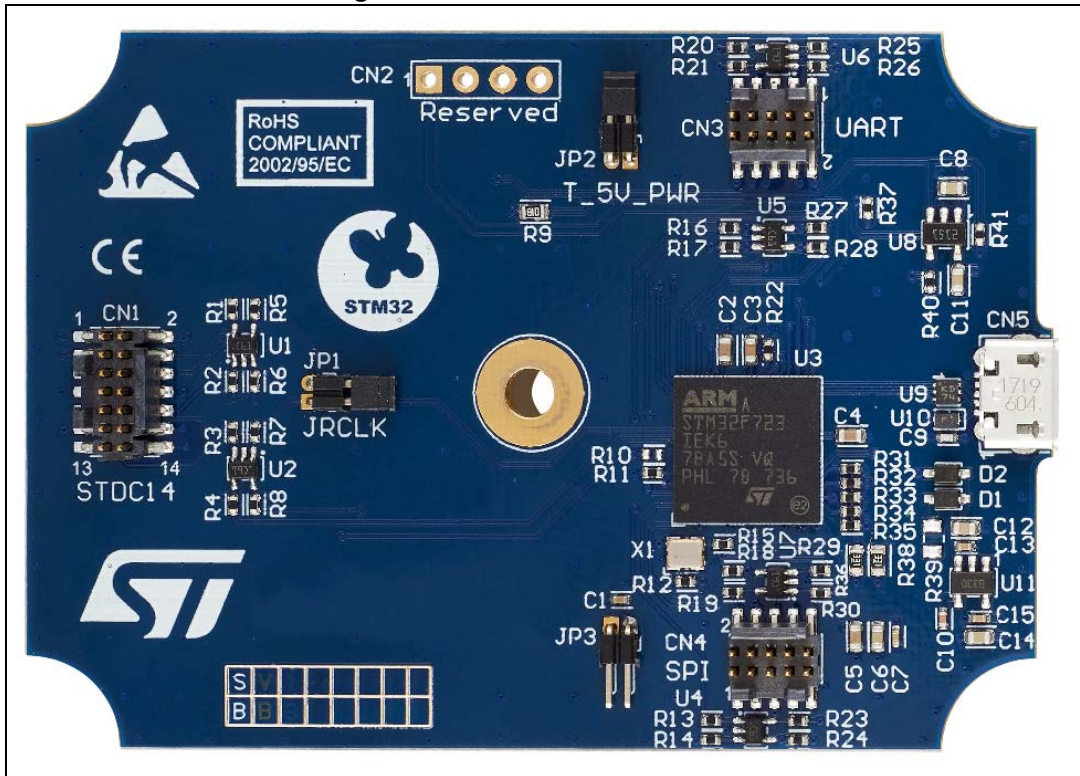


Figure 8. MB1441 top layout

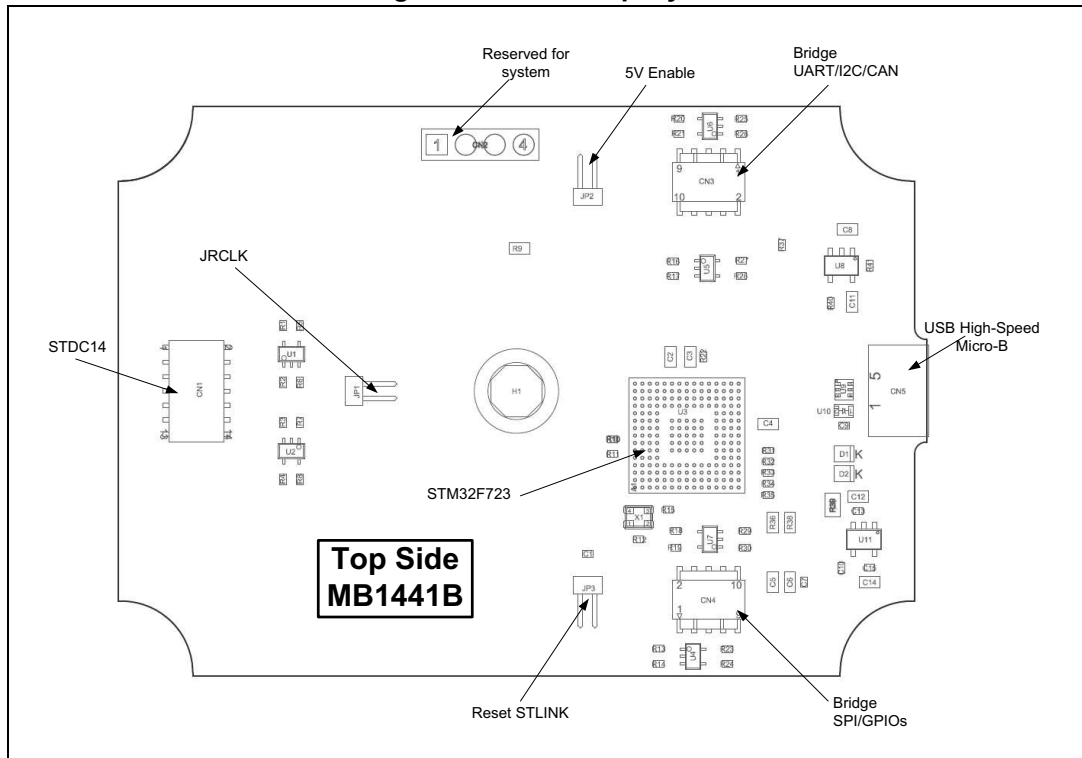


Figure 9. MB1441 bottom layout

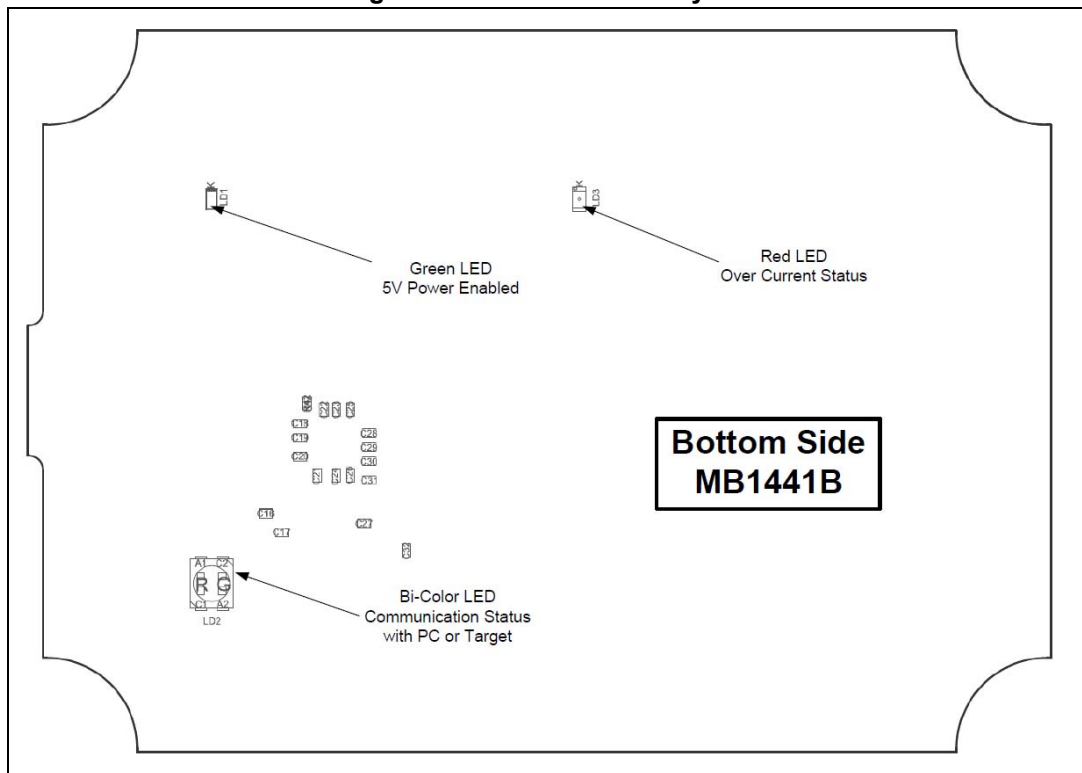


Figure 10. MB1440 top layout

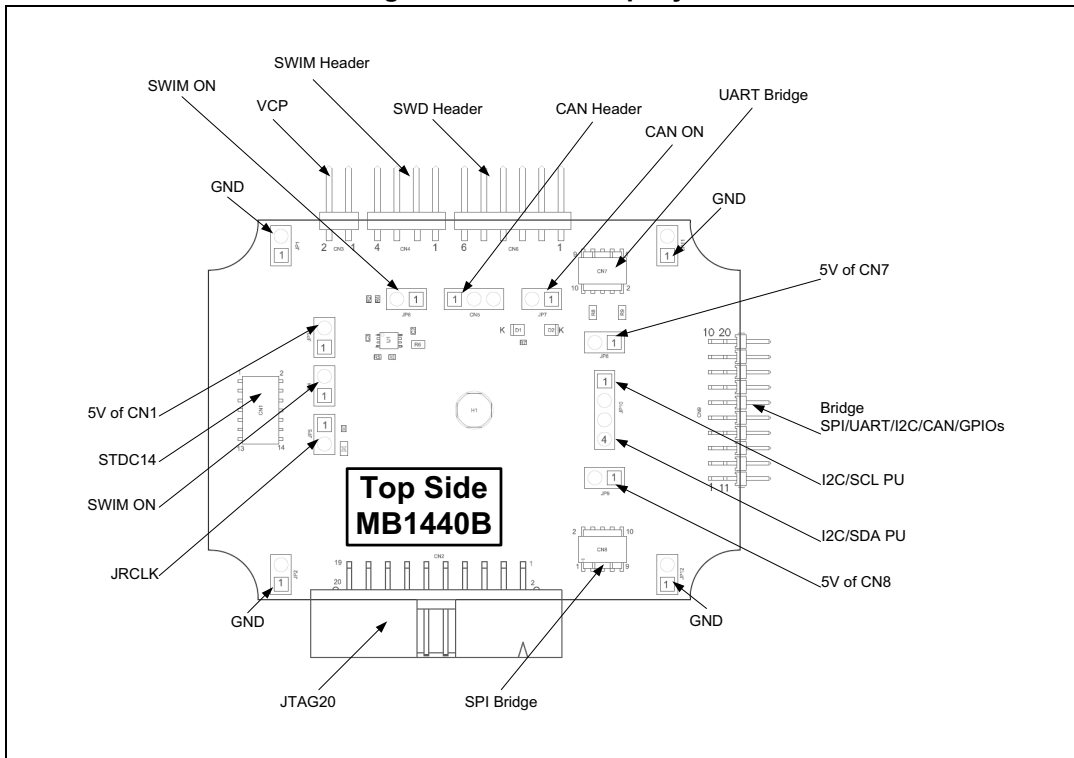


Figure 11. MB1441 mechanical drawing

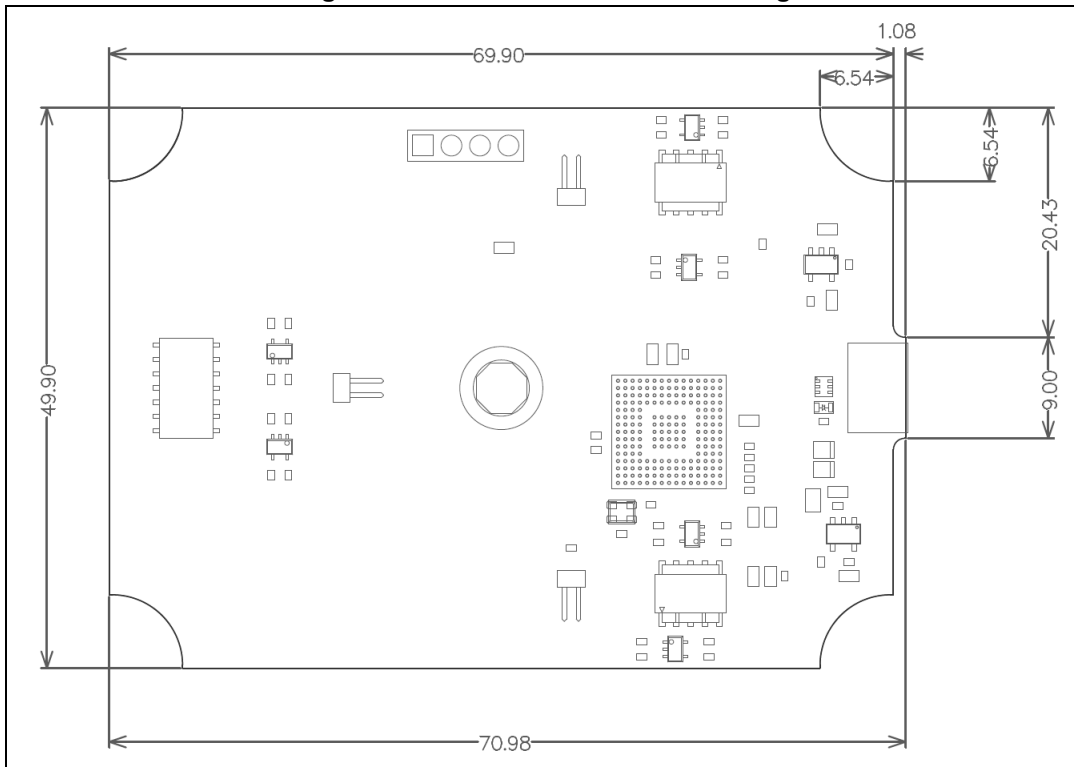
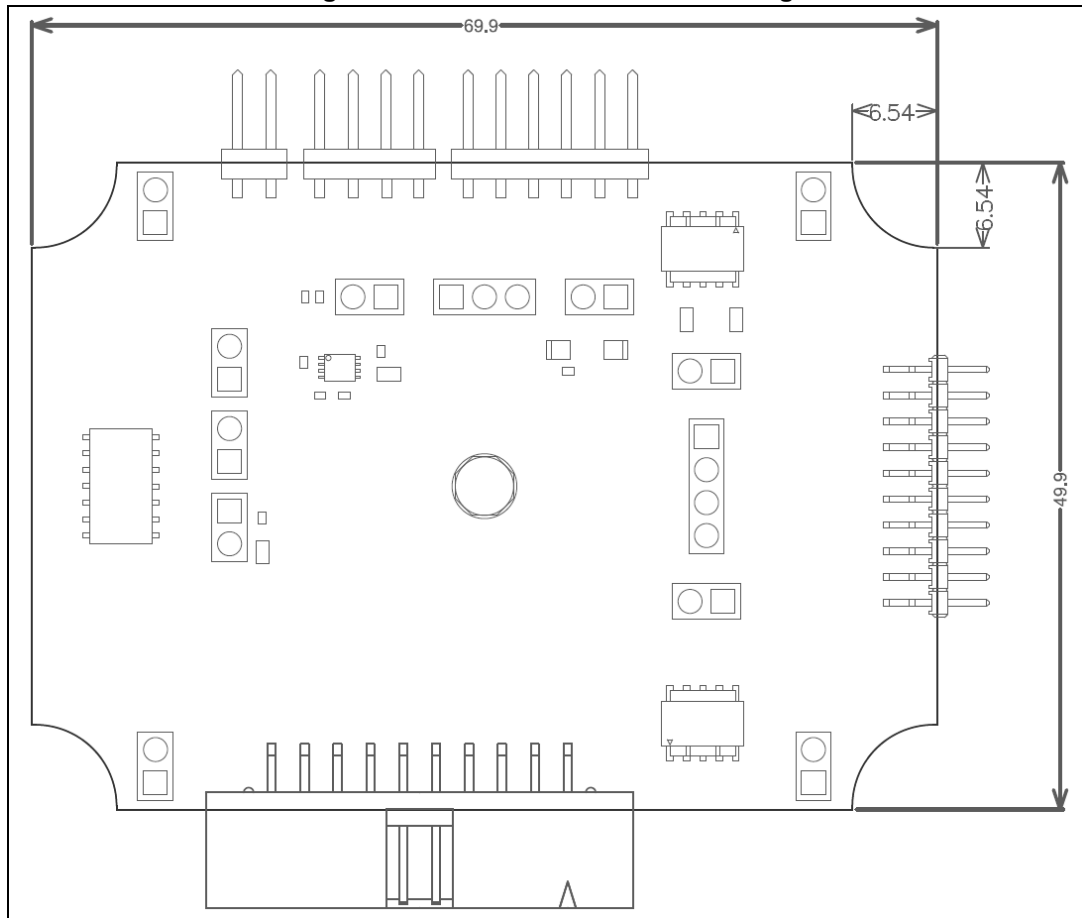


Figure 12. MB1440 mechanical drawing



7.3 STLINK-V3SET functions

All functions have been designed for high performance: all signals are 3.3-volt compatible except the SWIM protocol, which supports a voltage range from 1.65 V to 5.5 V. The following description concerns the two boards MB1441 and MB1440 and indicates where to find the functions on the boards and connectors. The main module for high performance only includes the MB1441 board. The adapter configuration for added functions includes both the MB1441 and MB1440 boards.

7.3.1 SWD with SWV

SWD protocol is a Debug/Program protocol used for STM32 microcontrollers with SWV as a trace. The signals are 3.3-volt compatible and can perform up to 24 MHz. This function is available on MB1441.CN1 and MB1440.CN1.CN2.CN6

7.3.2 JTAG

JTAG protocol is a Debug/Program protocol used for STM32 microcontrollers. The signals are 3.3-volt compatible and can perform up to 21 MHz. This function is available on MB1441.CN1 and MB1440.CN1.CN2.

The STLINK-V3SET does not support the chaining of devices in JTAG (daisy chain).

For correct operation, the STLINK-V3SET microcontroller on the MB1441 board requires a JTAG return clock. By default, this return clock is provided through the closed jumper JP1 on MB1441, but could also be provided from externally through CN1.9 pin (this configuration might be necessary to reach high JTAG frequencies; in this case, JP1 on MB1441 must be opened). In case of use with the B-STLINK-VOLT extension board, the JTAG clock loopback must be removed from the STLINK-V3SET board (JP1 opened). For the correct functioning of JTAG, the loopback must be done either on the B-STLINK-VOLT extension board (JP1 closed) or on the target application side.

7.3.3 SWIM

SWIM protocol is a Debug/Program protocol used for STM8 microcontrollers. JP4 and JP6 on the MB1440 board must be ON in order to activate the SWIM protocol. The signals are available on the MB1440.CN4 connector and a voltage range from 1.65 V to 5.5 V is supported.

7.3.4 Virtual COM port (VCP)

The serial interface VCP is directly available as a Virtual COM port of the PC, connected to STLINK-V3SET USB connector CN5. This function can be used for STM32 and STM8 microcontrollers. The signals are 3.3-volt compatible and can perform from 720 bps to 15 Mbps. This function is available on MB1441.CN1 and MB1440.CN1.CN3. T_VCP_RX (or RX) signal is the RX for the target (TX for the STLINK-V3SET), T_VCP_TX (or TX) signal is the TX for the target (RX for the STLINK-V3SET).

A second Virtual COM port may be activated, as detailed later in [Section 7.3.5](#) (Bridge UART).

7.3.5 Bridge functions

The STLINK-V3SET provides a proprietary USB interface allowing communication with any STM8 or STM32 target with several protocols: SPI, I²C, CAN, UART, and GPIOs. This interface may be used to communicate with the target bootloader, but may also be used for customized needs through its public software interface.

All bridge signals can be accessed on CN9 in a simple and easy way by means of wire clips, with the risk that signal quality and performance are lowered, especially for SPI and UART. This depends for instance on the quality of the wires used, on the fact that the wires are shielded or not, and on the layout of the application board.

Bridge SPI

SPI signals are available on MB1440.CN9 and MB1440.CN8. In order to reach high SPI frequency, it is recommended to use a flat ribbon on MB1440.CN8 with all unused signals tied to the ground on the target side.

Bridge I²C

I²C signals are available on MB1440.CN9 and MB1440.CN7. The adapter module also provides optional 680-ohm pull-ups, which can be activated by closing JP10 jumpers. In that case, the target voltage (T_VCC) must be provided to any of the MB1440 connector accepting it (CN1, CN2, CN6, or JP10 jumpers).

Bridge CAN

CAN logic signals (Rx/Tx) are available on MB1440.CN9, they can be used as input for an external CAN transceiver. It is also possible to connect directly the CAN target signals to MB1440.CN5 (target Tx to CN5.Tx, target Rx to CN5.Rx), provided that:

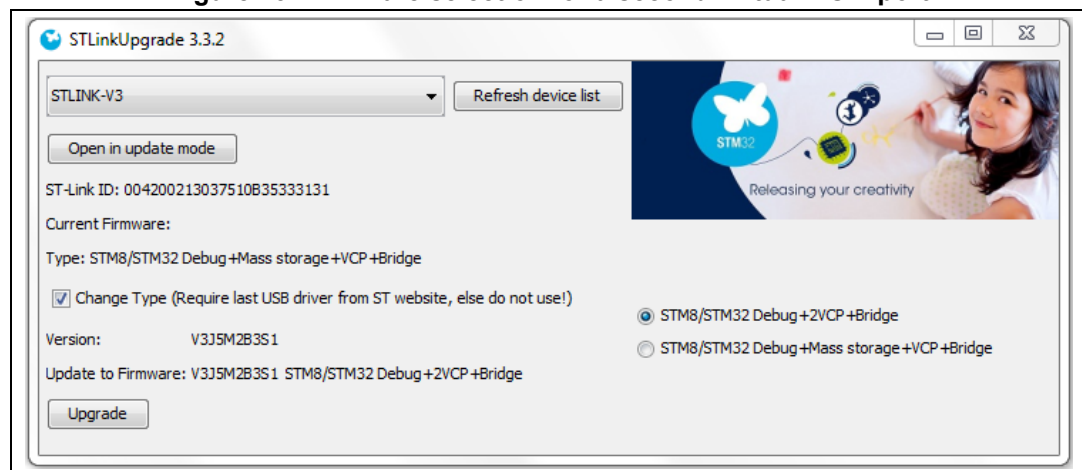
1. JP7 is closed (CAN ON),
2. CAN voltage is provided to CN5.CAN_VCC.

Bridge UART

UART signals with hardware flow control (CTS/RTS) are available on MB1440.CN9 and MB1440.CN7. They need a dedicated firmware to be programmed on the main module before being used. With this firmware, a second Virtual COM port is available and the mass storage interface (used for Drag-and-drop flash programming) disappears. The firmware selection is reversible and is done by *STLinkUpgrade* applications as shown in [Figure 13](#). The hardware flow control may be activated by physically connecting UART_RTS and/or UART_CTS signals to the target. If not connected, the second virtual COM port works without hardware flow control. Note that the hardware flow control activation/deactivation cannot be configured by software from the host side on a virtual COM port; consequently configuring a parameter related to that on the host application has no effect on the system behavior.

In order to reach high UART frequency, it is recommended to use a flat ribbon on MB1440.CN7 with all unused signals tied to the ground on the target side.

Figure 13. Firmware selection for a second Virtual COM port



Bridge GPIOs

Four GPIO signals are available on MB1440.CN9 and MB1440.CN8. Basic management is provided by the public ST bridge software interface.

7.3.6 LEDs

PWR LED: red light indicates that 5 V is enabled (only used when a daughterboard is plugged).

COM LED: refer to the *Overview of ST-LINK derivatives* technical note (TN1235) for details.

7.4 Jumper configuration

Table 3. MB1441 jumper configuration

Jumper	State	Description
JP1	ON	JTAG clock loopback done on board
JP2	ON	Provide 5V power on connectors (internal use)
JP3	OFF	STLINK-V3SET reset. Can be used to enforce STLINK-V3SET UsbLoader mode

Table 4. MB1440 jumper configuration

Jumper	State	Description
JP1	Not used	GND
JP2	Not used	GND
JP3	ON	Getting 5V power from CN12 (internal use)
JP4	OFF	Disable SWIM input
JP5	ON	JTAG clock loopback done on board
JP6	OFF	Disable SWIM output
JP7	OFF	Close in order to use CAN through CN5
JP8	ON	Provide 5V power to CN7 (internal use)
JP9	ON	Provide 5V power to CN10 (internal use)
JP10	OFF	Close in order to enable I ² C pull-ups
JP11	Not used	GND
JP12	Not used	GND

8 Board connectors

11 user connectors are implemented on the STLINK-V3SET product and are described in this paragraph:

- 2 user connectors are available on the MB1441 board:
 - CN1: STDC14 (STM32 JTAG/SWD and VCP)
 - CN5: USB Micro-B (connection to the host)
- 9 user connectors are available on the MB1440 board:
 - CN1: STDC14 (STM32 JTAG/SWD and VCP)
 - CN2: Legacy Arm 20-pin JTAG/SWD IDC connector
 - CN3: VCP
 - CN4: SWIM
 - CN5: bridge CAN
 - CN6: SWD
 - CN7, CN8, CN9: bridge

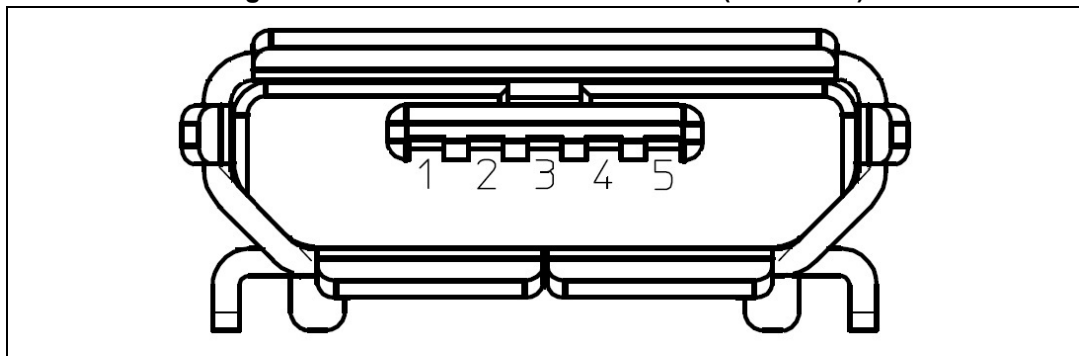
Other connectors are reserved for internal use and are not described here.

8.1 Connectors on MB1441 board

8.1.1 USB Micro-B

The USB connector CN5 is used to connect the embedded STLINK-V3SET to the PC.

Figure 14. USB Micro-B connector CN5 (front view)



The related pinout for the USB ST-LINK connector is listed in [Table 5](#).

Table 5. USB Micro-B connector pinout CN5

Pin number	Pin name	Function
1	VBUS	5 V power
2	DM (D-)	USB differential pair M
3	DP (D+)	USB differential pair P

Table 5. USB Micro-B connector pinout CN5 (continued)

Pin number	Pin name	Function
4	ID	-
5	GND	GND

8.1.2 STDC14 (STM32 JTAG/SWD and VCP)

The STDC14 CN1 connector allows the connection to an STM32 target by means of the JTAG or SWD protocol, respecting (from pin 3 to pin 12) the ARM10 pinout (Arm Cortex debug connector). But it also advantageously provides two UART signals for the Virtual COM port. The related pinout for the STDC14 connector is listed in [Table 6](#).

Table 6. STDC14 connector pinout CN1

Pin No.	Description	Pin No.	Description
1	Reserved ⁽¹⁾	2	Reserved ⁽¹⁾
3	T_VCC ⁽²⁾	4	T_JTMS/T_SWDIO
5	GND	6	T_JCLK/T_SWCLK
7	GND	8	T_JTDO/T_SWO ⁽³⁾
9	T_JRCLK ⁽⁴⁾ /NC ⁽⁵⁾	10	T_JTDI/NC ⁽⁵⁾
11	GNDDetect ⁽⁶⁾	12	T_NRST
13	T_VCP_RX ⁽⁷⁾	14	T_VCP_TX ⁽²⁾

1. Do not connect on target.
2. Input for STLINK-V3SET.
3. SWO is optional, required only for Serial Wire Viewer (SWV) trace.
4. Optional loopback of T_JCLK on the target side, required if loopback removed on the STLINK-V3SET side.
5. NC means not required for the SWD connection.
6. Tied to GND by STLINK-V3SET firmware; may be used by the target for detection of the tool.
7. Output for STLINK-V3SET

The used connector is SAMTEC FTSH-107-01-L-DV-K-A.

8.2 Connectors on MB1440 board

8.2.1 STDC14 (STM32 JTAG/SWD and VCP)

The STDC14 CN1 connector on MB1440 replicates the STDC14 CN1 connector from the MB1441 board. Refer to [Section 8.1.2](#) for details.

8.2.2 Legacy Arm 20-pin JTAG/SWD IDC connector

The CN2 connector allows the connection to an STM32 target in the JTAG or SWD mode. Its pinout is listed in [Table 7](#). It is compatible with the pinout of ST-LINK/V2.

Table 7. Legacy Arm 20-pin JTAG/SWD IDC connector CN2

Pin number	Description	Pin number	Description
1	T_VCC ⁽¹⁾	2	NC
3	NC	4	GND ⁽²⁾
5	T_JTDI/NC ⁽³⁾	6	GND ⁽²⁾
7	T_JTMS/T_SWDIO	8	GND ⁽²⁾
9	T_JCLK/T_SWCLK	10	GND ⁽²⁾
11	T_JRCLK ⁽⁴⁾ /NC ⁽³⁾	12	GND ⁽²⁾
13	T_JTDO/T_SWO ⁽⁵⁾	14	GND ⁽²⁾
15	T_NRST	16	GND ⁽²⁾
17	NC	18	GND ⁽²⁾
19	NC	20	GND ⁽²⁾

1. Input for STLINK-V3SET.
2. At least one of these pins must be connected to the ground on the target side for correct behavior (connecting all is recommended for noise reduction on the ribbon).
3. NC means not required for the SWD connection.
4. Optional loopback of T_JCLK on the target side, required if loopback removed on the STLINK-V3SET side.
5. SWO is optional, required only for Serial Wire Viewer (SWV) trace.

8.2.3 Virtual COM port connector

The CN3 connector allows the connection of a target UART for Virtual COM port function. The debug connection (through JTAG/SWD or SWIM) is not required at the same time. However, a GND connection between STLINK-V3SET and target is required and must be ensured in some other way in case no debug cable is plugged. The related pinout for the VCP connector is listed in [Table 8](#).

Table 8. Virtual COM port connector CN3

Pin number	Description	Pin number	Description
1	T_VCP_TX ⁽¹⁾	2	T_VCP_RX ⁽²⁾

1. Input for STLINK-V3SET. Must be connected to UART_TX on target.
2. Output for STLINK-V3SET. Must be connected to UART_RX on target.

8.2.4 SWIM connector

The CN4 connector allows the connection to an STM8 SWIM target. The related pinout for the SWIM connector is listed in [Table 9](#).

Table 9. SWIM connector CN4

Pin number	Description
1	T_VCC ⁽¹⁾
2	SWIM_DATA

Table 9. SWIM connector CN4 (continued)

Pin number	Description
3	GND
4	T_NRST

1. Input for STLINK-V3SET.

8.2.5 CAN connector

The CN5 connector allows the connection to a CAN target without a CAN transceiver. The related pinout for this connector is listed in [Table 10](#).

Table 10. CAN connector CN5

Pin number	Description
1	T_CAN_VCC ⁽¹⁾
2	T_CAN_TX
3	T_CAN_RX

1. Input for STLINK-V3SET.

8.2.6 SWD connector

The CN6 connector allows the connection to an STM32 target in SWD mode through wires. It is not recommended for high performance. The related pinout for this connector is listed in [Table 11](#).

Table 11. SWD (wires) connector CN6

Pin number	Description
1	T_VCC ⁽¹⁾
2	T_SWCLK
3	GND
4	T_SWDIO
5	T_NRST
6	T_SWO ⁽²⁾

1. Input for STLINK-V3SET.

2. Optional, required only for Serial Wire Viewer (SWV) trace.

8.2.7 UART/I²C/CAN bridge connector

Some bridge functions are provided on a 2x5-pin connector with 1.27 mm pitch CN7. The related pinout is listed in [Table 12](#). This connector provides CAN logic signals (Rx/Tx), which can be used as input for an external CAN transceiver. Prefer using MB1440.CN5 connector for CAN connection otherwise.

Table 12. UART bridge connector CN7

Pin number	Description	Pin number	Description
1	UART_CTS	2	I2C_SDA
3	UART_TX ⁽¹⁾	4	CAN_TX ⁽¹⁾
5	UART_RX ⁽²⁾	6	CAN_RX ⁽²⁾
7	UART_RTS	8	I2C_SCL
9	GND	10	Reserved ⁽³⁾

1. TX signals are outputs for STLINK-V3SET, inputs for the target.
2. RX signals are inputs for STLINK-V3SET, outputs for the target.
3. Do not connect on the target.

8.2.8 SPI/GPIO bridge connector

Some bridge functions are provided on a 2x5-pin connector with 1.27 mm pitch CN8. The related pinout is listed in [Table 13](#).

Table 13. SPI bridge connector CN8

Pin number	Description	Pin number	Description
1	SPI_NSS	2	Bridge_GPIO0
3	SPI_MOSI	4	Bridge_GPIO1
5	SPI_MISO	6	Bridge_GPIO2
7	SPI_SCK	8	Bridge_GPIO3
9	GND	10	Reserved ⁽¹⁾

1. Do not connect on the target.

8.2.9 Bridge 20-pins connector

All bridge functions are provided on a 2x10-pin connector with a 2.0 mm pitch CN9. The related pinout is listed in [Table 14](#).

Table 14. Bridge connector CN9

Pin number	Description	Pin number	Description
1	SPI_NSS	11	Bridge_GPIO0
2	SPI_MOSI	12	Bridge_GPIO1
3	SPI_MISO	13	Bridge_GPIO2
4	SPI_SCK	14	Bridge_GPIO3
5	GND	15	Reserved ⁽¹⁾
6	Reserved ⁽¹⁾	16	GND
7	I2C_SCL	17	UART_RTS
8	CAN_RX ⁽²⁾	18	UART_RX ⁽²⁾

Table 14. Bridge connector CN9 (continued)

Pin number	Description	Pin number	Description
9	CAN_TX ⁽³⁾	19	UART_TX ⁽³⁾
10	I2C_SDA	20	UART_CTS

1. Do not connect on target.
2. RX signals are inputs for STLINK-V3SET, outputs for the target.
3. TX signals are outputs for STLINK-V3SET, inputs for the target.

9 Flat ribbons

The STLINK-V3SET provides three flat cables allowing the connection from the STDC14 output to:

- STDC14 connector (1.27 mm pitch) on target application: pinout detailed in [Table 6](#). Reference Samtec FFSD-07-D-05.90-01-N-R.
- ARM10-compatible connector (1.27 mm pitch) on target application: pinout detailed in [Table 15](#). Reference Samtec ASP-203799-02.
- ARM20-compatible connector (1.27 mm pitch) on target application: pinout detailed in [Table 16](#). Reference Samtec ASP-203800-02.

Table 15. ARM10-compatible connector pinout (target side)

Pin No.	Description	Pin No.	Description
1	T_VCC ⁽¹⁾	2	T_JTMS/T_SWDIO
3	GND	4	T_JCLK/T_SWCLK
5	GND	6	T_JTDO/T_SWO ⁽²⁾
7	T_JRCLK ⁽³⁾ /NC ⁽⁴⁾	8	T_JTDI/NC ⁽⁴⁾
9	GNDDetect ⁽⁵⁾	10	T_NRST

1. Input for STLINK-V3SET.
2. SWO is optional, required only for Serial Wire Viewer (SWV) trace.
3. Optional loopback of T_JCLK on the target side, required if loopback removed on the STLINK-V3SET side.
4. NC means not required for the SWD connection.
5. Tied to GND by STLINK-V3SET firmware; may be used by the target for detection of the tool.

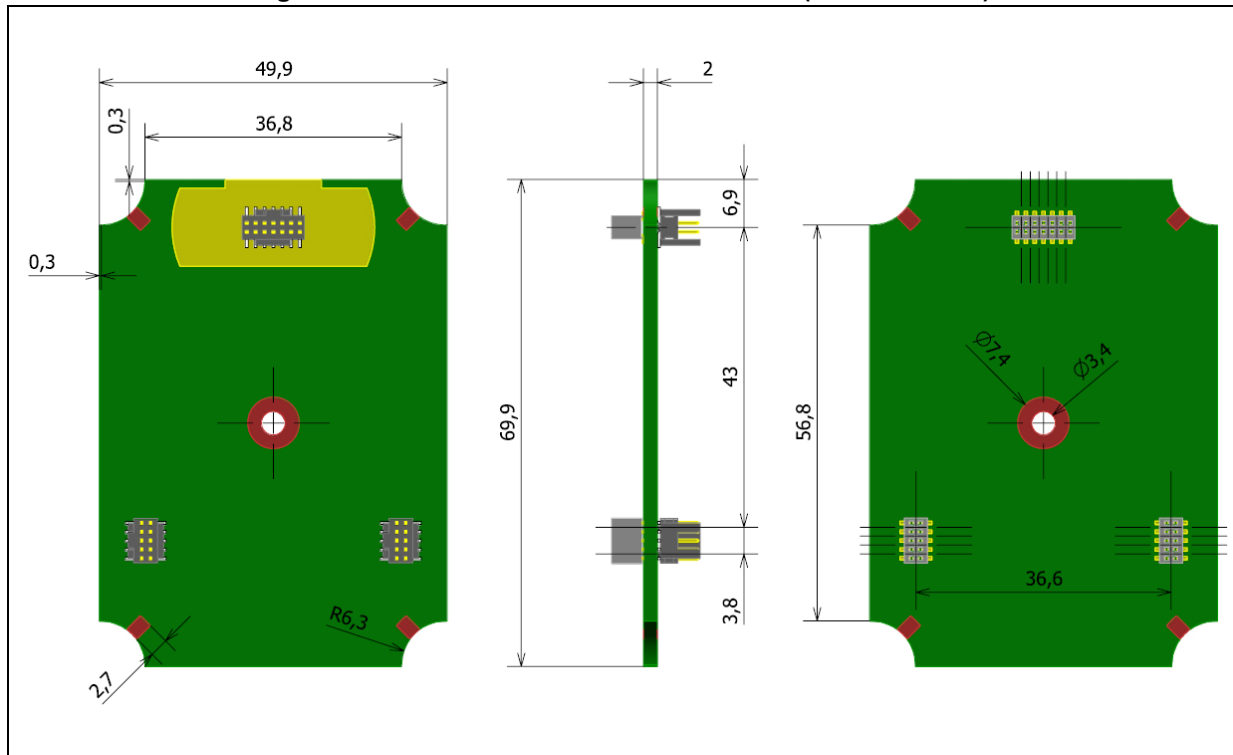
Table 16. ARM20-compatible connector pinout (target side)

Pin No.	Description	Pin No.	Description
1	T_VCC ⁽¹⁾	2	T_JTMS/T_SWDIO
3	GND	4	T_JCLK/T_SWCLK
5	GND	6	T_JTDO/T_SWO ⁽²⁾
7	T_JRCLK ⁽³⁾ /NC ⁽⁴⁾	8	T_JTDI/NC ⁽⁴⁾
9	GNDDetect ⁽⁵⁾	10	T_NRST
11	NC	12	NC
13	NC	14	NC
15	NC	16	NC
17	NC	18	NC
19	NC	20	NC

1. Input for STLINK-V3SET.
2. SWO is optional, required only for Serial Wire Viewer (SWV) trace.
3. Optional loopback of T_JCLK on the target side, required if loopback removed on the STLINK-V3SET side.
4. NC means not required for the SWD connection.
5. Tied to GND by STLINK-V3SET firmware; may be used by the target for detection of the tool.

10 Mechanical information

Figure 15. MB1441 mechanical dimensions (in millimeters)



11 Software configuration

11.1 Supporting toolchains (not exhaustive)

[Table 17](#) gives a list of the first toolchain version supporting the STLINK-V3SET product.

Table 17. Toolchain versions supporting STLINK-V3SET

Toolchain	Description	Minimum Version
STM32CubeProgrammer	ST Programming tool for ST microcontrollers	1.1.0
SW4STM32	Free IDE on Windows, Linux, and macOS	2.4.0
IAR EWARM	Third-party debugger for STM32	8.20
Keil MDK-ARM	Third-party debugger for STM32	5.26
STVP	ST Programming tool for ST microcontrollers	3.4.1
STVD	ST Debugging tool for STM8	4.3.12

Note: Some of the very first toolchain versions supporting the STLINK-V3SET (in runtime) may not install the complete USB driver for STLINK-V3SET (especially the STLINK-V3SET bridge USB interface description may miss). In that case, either the user switches to a more recent version of the toolchain, or updates the ST-LINK driver from www.st.com (see [Section 11.2](#)).

11.2 Drivers and firmware upgrade

The STLINK-V3SET requires drivers to be installed on Windows and embeds a firmware which needs to be updated from time to time in order to benefit from new functionality or corrections. Refer to the *Overview of ST-LINK derivatives* technical note (TN1235) for details.

11.3 STLINK-V3SET frequency selection

The STLINK-V3SET can run internally at 3 different frequencies:

- high-performance frequency
- standard frequency, compromising between performance and consumption
- low-consumption frequency

By default, the STLINK-V3SET starts in high-performance frequency. It is the responsibility of the toolchain provider to propose or not the frequency selection at the user's level.

11.4 Mass storage interface

The STLINK-V3SET implements a virtual mass storage interface allowing the programming of an STM32 target flash memory with drag-and-drop action of a binary file from a file explorer. This ability requires the STLINK-V3SET to identify the connected target before

enumerating on the USB host. As a consequence, this functionality is available only if the target is connected to the STLINK-V3SET before the STLINK-V3SET is plugged to the host. This functionality is not available for STM8 targets.

The ST-LINK firmware programs the dropped binary file, at the beginning of the flash, only if it is detected as a valid STM32 application according to the following criteria:

- the reset vector points to an address in the target flash area,
- the stack pointer vector points to an address in any of the target RAM area.

If all these conditions are not respected, the binary file is not programmed and the target flash keeps its initial contents.

11.5 Bridge interface

The STLINK-V3SET implements a USB interface dedicated to bridging functions from USB to SPI/I²C/CAN/UART/GPIOs of the ST microcontroller target. This interface is firstly used by STM32CubeProgrammer in order to allow target programming through SPI/I²C/CAN bootloader.

A host software API is provided in order to extend the use cases.

12 B-STLINK-VOLT board extension description

12.1 Features

- 1.65V-3.3V voltage adapter board for STLINK-V3SET
- Input/output level shifters for STM32 SWD/SWV/JTAG signals
- Input/output level shifters for VCP Virtual COM port (UART) signals
- Input/output level shifters for bridge (SPI/UART/I²C/CAN/GPIOs) signals
- Closed casing when using STDC14 connector (STM32 SWD, SWV, and VCP)
- Connection compatible with STLINK-V3SET adapter board (MB1440) for STM32 JTAG and bridge
- Operating temperature from 0 °C to 50 °C

12.2 Connection instructions

12.2.1 Closed casing for STM32 debug (STDC14 connector only)

1. Remove the USB cable from STLINK-V3SET.
2. Unscrew the casing bottom cover of the STLINK-V3SET or remove the adapter board (MB1440).
3. Remove the JP1 jumper from the MB1441 board and place it to the JP1 header of the MB1598 board.
4. Put the plastic edge in place in order to guide the B-STLINK-VOLT board connection to the STLINK-V3SET base board (MB1441).
5. Connect the B-STLINK-VOLT board to the STLINK-V3SET base board (MB1441).
6. Close the casing bottom cover.

Figure 16. Closed casing for STM32 debug (STDC14 connector only)

The STDC14 CN1 connector on the B-STLINK-VOLT board replicates the STDC14 CN1 connector from the MB1441 board. Refer to [Section 8.1.2](#) for details.

12.2.2 Opened casing for access to all connectors (through MB1440 adapter board)

1. Remove the USB cable from STLINK-V3SET.
2. Unscrew the casing bottom cover of the STLINK-V3SET or remove the adapter board (MB1440).
3. Remove the JP1 jumper from the MB1441 board and place it to the JP1 header of the MB1598 board.
4. Put the plastic edge in place in order to guide the B-STLINK-VOLT board connection to the STLINK-V3SET base board (MB1441).
5. Connect the B-STLINK-VOLT board to the STLINK-V3SET base board (MB1441).
6. [optional] Screw the B-STLINK-VOLT board in order to ensure good and stable contacts.
7. Plug the MB1440 adapter board to the B-STLINK-VOLT board in the same way it was previously plugged to the STLINK-V3SET base board (MB1441).

Figure 17. Opened casing for access to all connectors (through MB1440 adapter board)



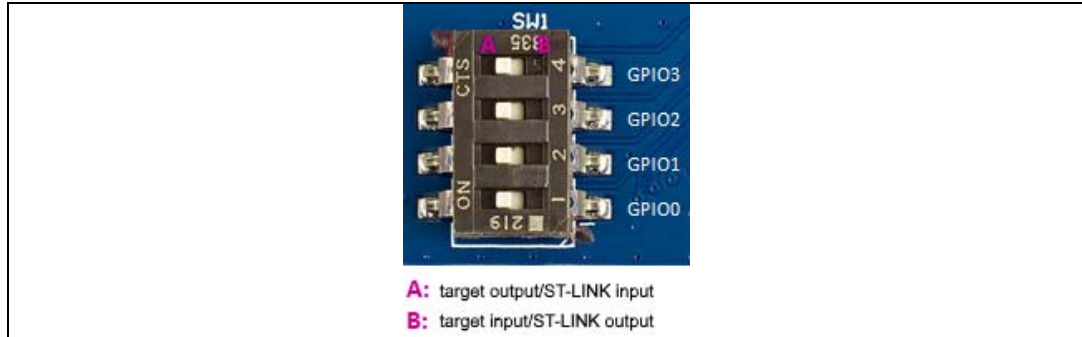
For connector description, refer to [Section 8.2](#).

12.3 Selection of bridge GPIO direction

The level-shifter components on the B-STLINK-VOLT board require to manually configure the direction of bridge GPIO signals. This is possible through the SW1 switch on the bottom of the board. Pin1 of SW1 is for bridge GPIO0, pin4 of SW1 is for bridge GPIO3. By default

the direction is target output/ST-LINK input (selectors on ON/CTS3 side of SW1). It can be changed for each GPIO independently into target input/ST-LINK output direction by moving the corresponding selector on '1', '2', '3', or '4' side of SW1. Refer to [Figure 18](#).

Figure 18. B-STLINK-VOLT



12.4 Jumper configuration

Caution: Always remove the JP1 jumper from the STLINK-V3SET base board (MB1441) before stacking the B-STLINK-VOLT board (MB1598). This jumper can be used on the MB1598 board in order to provide the return JTAG clock required for correct JTAG operations. If the JTAG clock loopback is not done at the B-STLINK-VOLT board level through JP1, it must be done externally between pin 6 and pin 9 of CN1.

Table 18. MB1598 jumper configuration

Jumper	State	Description
JP1	ON	JTAG clock loopback done on board

12.5 Target voltage connection

The target voltage must always be provided to the board for proper operation (input for B-STLINK-VOLT). It must be provided to pin 3 of the STDC14 connector (CN1), either directly on MB1598 or through the MB1440 adapter board. In case of use with the MB1440 adapter board, the target voltage can be provided either through the pin3 of CN1, pin1 of CN2, pin1 of CN6, or pin2 and pin3 of JP10 of the MB1440 board. The expected range is 1.65 V - 3.3 V.

12.6 Board connectors

12.6.1 STDC14 (STM32 JTAG/SWD and VCP)

The STDC14 CN1 connector on the MB1598 board replicates the STDC14 CN1 connector from the MB1441 board. Refer to [Section 8.1.2](#) for details.

12.6.2 UART/I²C/CAN bridge connector

The UART/I²C/CAN bridge CN7 connector on the MB1598 board replicates the UART/I²C/CAN bridge CN7 connector from the MB1440 board. Refer to [Section 8.2.7](#) for details.

12.6.3 SPI/GPIO bridge connector

The SPI/GPIO bridge CN8 connector on the MB1598 board replicates the SPI/GPIO bridge CN8 connector from the MB1440 board. Refer to [Section 8.2.8](#) for details.

13 STLINK-V3SET and B-STLINK-VOLT information

13.1 Product marking

The sticker located on the top or bottom side of the PCB board shows the information about product identification such as board reference, revision, and serial number.

The first identification line has the following format: "MBxxxx-Variant-yyz", where "MBxxxx" is the board reference, "Variant" (optional) identifies the mounting variant when several exist, "y" is the PCB revision and "zz" is the assembly revision: for example B01.

The second identification line is the board serial number used for traceability.

Evaluation tools marked as "ES" or "E" are not yet qualified and therefore not ready to be used as reference design or in production. Any consequences deriving from such usage will not be at ST charge. In no event, ST will be liable for any customer usage of these engineering sample tools as reference designs or in production.

"E" or "ES" marking examples of location:

- On the target STM32 that is soldered on the board (for illustration of STM32 marking, refer to the STM32 datasheet "Package information" paragraph at the www.st.com website).
- Next to the evaluation tool ordering part number that is stuck or silk-screen printed on the board.

The board reference for the STLINK-V3SET base board is MB1441, for the adapter board MB1440, and for the B-STLINK-VOLT board MB1598.

13.2 Board revision history

13.2.1 MB1440

Revision B-01

The revision B-01 of the MB1440 board is the initially released version.

13.2.2 MB1441

Revision B-01

The revision B-01 of the MB1441 board is the initially released version.

13.2.3 MB1598

Revision A-01

The revision A-01 of the MB1598 board is the initially released version.

13.3 Known limitations

13.3.1 MB1440

None.

13.3.2 MB1441

None.

13.3.3 MB1598

Revision A-01

The target voltage cannot be provided through bridge connectors CN7 and CN8 while required for bridge functions. The target voltage must be provided either through CN1 or through the MB1440 adapter board (refer to [Section 12.5: Target voltage connection](#)).

Appendix A Federal Communications Commission (FCC)

15.3 FCC Compliance Statement

15.3.1 Part 15.19

Part 15.19

This device complies with Part 15 of the FCC Rules. Operation is subject to the following two conditions: (1) this device may not cause harmful interference, and (2) this device must accept any interference received, including interference that may cause undesired operation.

Part 15.21

Any changes or modifications to this equipment not expressly approved by STMicroelectronics may cause harmful interference and void the user's authority to operate this equipment.

Part 15.105

This equipment has been tested and found to comply with the limits for a Class B digital device, pursuant to part 15 of the FCC Rules. These limits are designed to provide reasonable protection against harmful interference in a residential installation. This equipment generates uses and can radiate radio frequency energy and, if not installed and used in accordance with the instruction, may cause harmful interference to radio communications. However, there is no guarantee that interference will not occur in a particular installation. If this equipment does cause harmful interference to radio or television reception which can be determined by turning the equipment off and on, the user is encouraged to try to correct interference by one or more of the following measures:

- Reorient or relocate the receiving antenna.
- Increase the separation between the equipment and receiver.
- Connect the equipment into an outlet on circuit different from that to which the receiver is connected.
- Consult the dealer or an experienced radio/TV technician for help.

Note: Use a USB cable with length lower than 0.5m and added ferrite on the PC's side.

Other certifications

- EN 55032 (2012) / EN 55024 (2010)
- CFR 47, FCC Part 15, Subpart B (Class B Digital Device) and Industry Canada ICES-003 (Issue 6/2016)
- Electrical Safety qualification for CE marking: EN 60950-1 (2006+A11/2009+A1/2010+A12/2011+A2/2013)
- IEC 60650-1 (2005+A1/2009+A2/2013)

Note: The sample examined must be powered by a power supply unit or auxiliary equipment complying with standard EN 60950-1: 2006+A11/2009+A1/2010+A12/2011+A2/2013, and must be Safety Extra Low Voltage (SELV) with limited power capability.

Revision history

Table 19. Document revision history

Date	Revision	Changes
6-Sep-2018	1	Initial release.
8-Feb-2019	2	Updated: <i>Section 8.3.4: Virtual COM port (VCP),</i> <i>Section 8.3.5: Bridge functions,</i> <i>Section 9.1.2: STDC14 (STM32 JTAG/SWD and VCP),</i> <i>Section 9.2.3: Virtual COM port connector</i> explaining how Virtual COM ports are connected to target.
20-Nov-2019	3	Added: Second Virtual COM port chapter in <i>Introduction</i> , <i>Figure 13</i> in <i>Section 8.3.5</i> Bridge UART and <i>Figure 15</i> in the new section of <i>Mechanical information</i> .
19-Mar-2020	4	Added: <i>Section 12: B-STLINK-VOLT board extension description.</i>
5-Jun-2020	5	Added: <i>Section 12.5: Target voltage connection,</i> <i>Section 12.6: Board connectors.</i> Updated: <i>Section 1: Features,</i> <i>Section 3: Ordering information,</i> <i>Section 8.2.7: UART/I²C/CAN bridge connector,</i> <i>Section 13: STLINK-V3SET and B-STLINK-VOLT information.</i>

IMPORTANT NOTICE – PLEASE READ CAREFULLY

STMicroelectronics NV and its subsidiaries (“ST”) reserve the right to make changes, corrections, enhancements, modifications, and improvements to ST products and/or to this document at any time without notice. Purchasers should obtain the latest relevant information on ST products before placing orders. ST products are sold pursuant to ST’s terms and conditions of sale in place at the time of order acknowledgement.

Purchasers are solely responsible for the choice, selection, and use of ST products and ST assumes no liability for application assistance or the design of Purchasers’ products.

No license, express or implied, to any intellectual property right is granted by ST herein.

Resale of ST products with provisions different from the information set forth herein shall void any warranty granted by ST for such product.

ST and the ST logo are trademarks of ST. For additional information about ST trademarks, please refer to www.st.com/trademarks. All other product or service names are the property of their respective owners.

Information in this document supersedes and replaces information previously supplied in any prior versions of this document.

© 2020 STMicroelectronics – All rights reserved