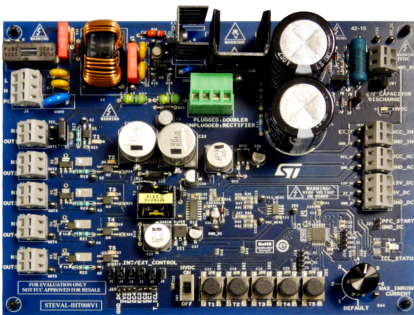


## Low standby loss front-end with inrush current limitation and insulated AC switch control



### Features

- Fully electronic solution without the need for an inrush current limiter resistor and bulky by-pass electromechanical relay
- DC bus disconnection at standby to reduce loss below 0.3 W
- Inrush current compliant with IEC61000-3-3
- Operation allowed with PFC (continuous or discontinuous)
- EN 55015, IEC 61000-4-11 compliant
- Criteria A @ 2 kV IEC 61000-4-5 and @ 4 kV IEC 61000-4-4
- Insulated control of AC switches used to drive AC loads for residential appliances
- RoHS compliant

### Description

The [STEVAL-IHT008V1](#) evaluation board limits the inrush current charging a DC bus capacitor so that it is compliant with the IEC 61000-3-3 standard. This inrush current is based on a soft-start procedure for the rectifier bridge achieved with a [T1635T-8FP](#) Triac added in series with the mains line, which is controlled by the [STM8S103K3](#) microcontroller through progressive phase-control during the startup phase.

This solution drastically reduces standby losses as the DC bus can be totally disconnected from the AC mains when it is not required. The DC bus is easily turned off by turning off the series Triac, without needing an additional relay to open the circuit in standby.

Steady-state losses are also reduced because NTC resistors, traditionally used to limit inrush current, are not required; nor are the corresponding relays to bypass them.

This board also demonstrates that AC loads can be driven with an easy-design isolated solution using the same power supply for the whole system and some opto-transistors to control the [ACST210-8FP](#), [ACS108-8SN](#) and [Z0109MUF](#) AC switches.

Product summary	
STEVAL-IHT008V1 evaluation board	<a href="#">STEVAL-IHT008V1</a>
STEVAL-IHT008V1 evaluation board firmware	<a href="#">STSW-IHT008</a>
Mainstream Access line 8-bit MCU with 8 Kbytes Flash, 16 MHz CPU, integrated EEPROM	<a href="#">STM8S103K3</a>
16 A Snubberless Triac	<a href="#">T1635T-8FP</a>
Overvoltage protected AC switch	<a href="#">ACS108-8SN</a>
Overvoltage protected AC switch	<a href="#">ACST210-8FP</a>
1 A Triacs	<a href="#">Z0109MUF</a>

# 1 Schematic diagram

Figure 2. STEVAL-IHT008V1 power and insulated control schematic

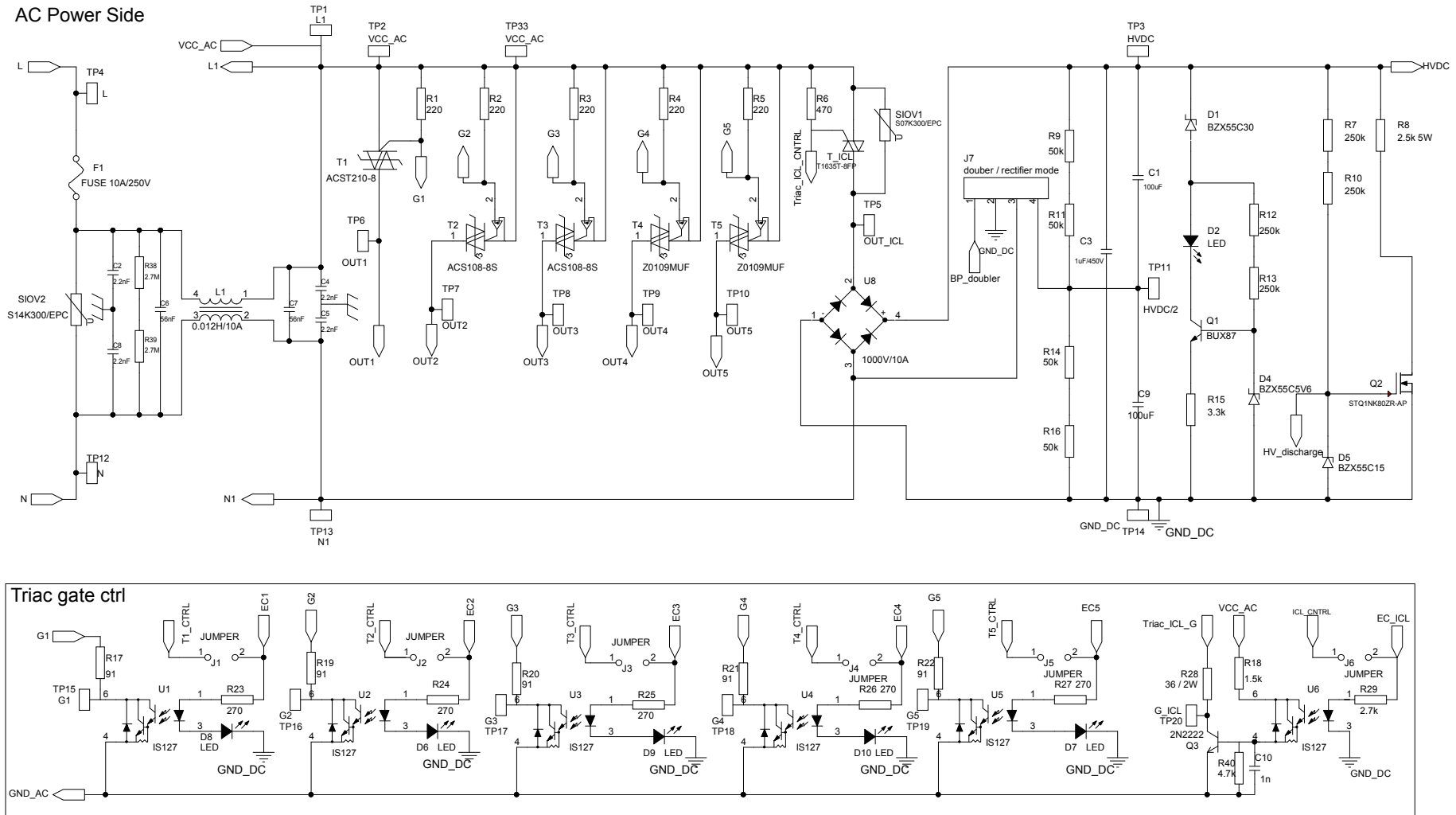


Figure 3. STEVAL-IHT008V1 control circuit schematic (1 of 3)

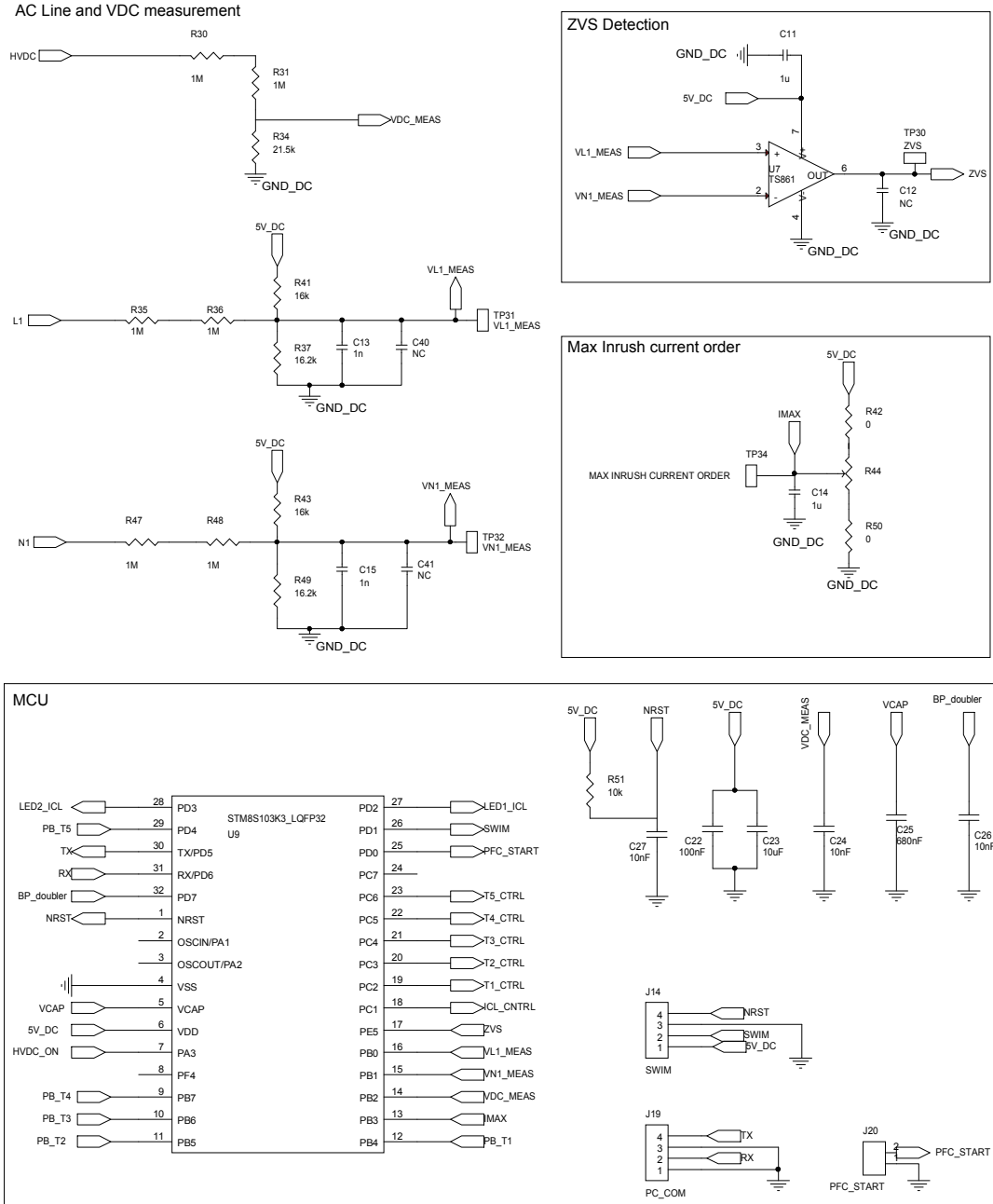
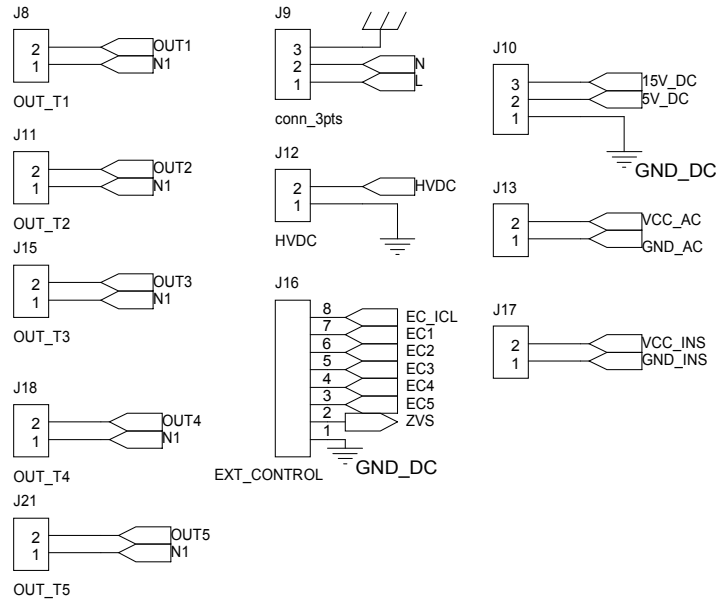


Figure 4. STEVAL-IHT008V1 control circuit schematic (2 of 3)

External\_connectors



HV\_capacitor discharge

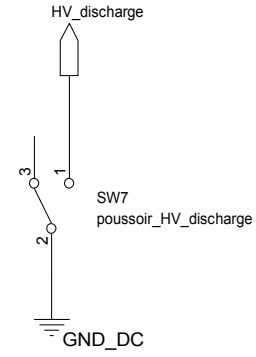
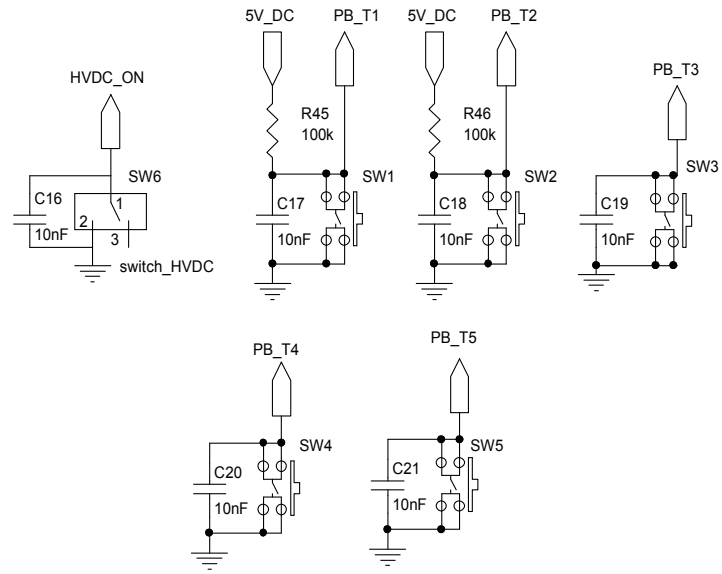


Figure 5. STEVAL-IHT008V1 control circuit schematic (3 of 3)

### Push Buttons



### Status LEDs

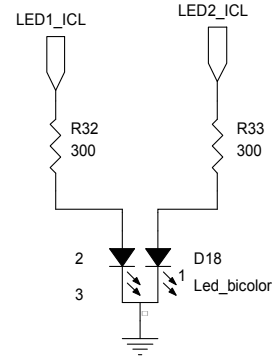
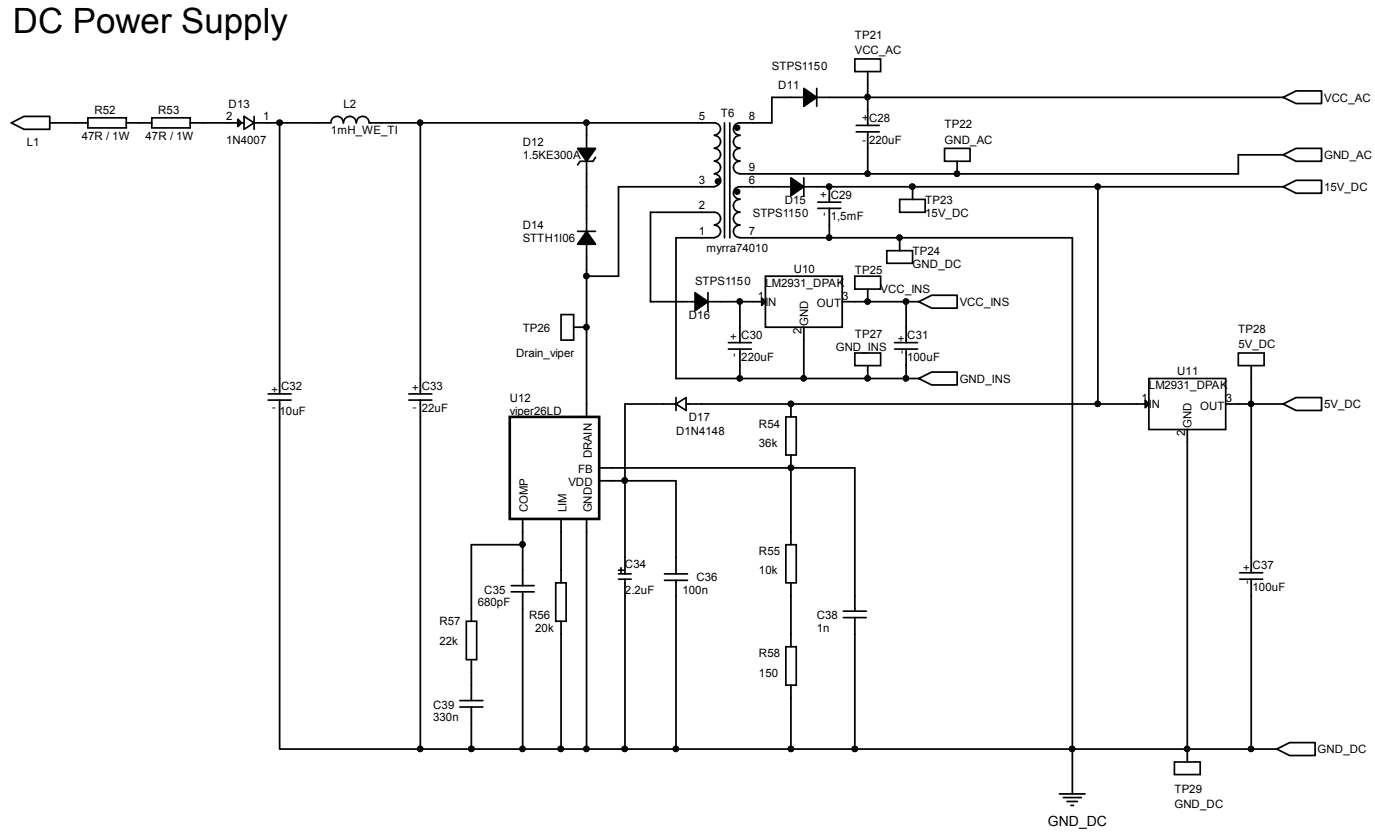


Figure 6. STEVAL-IHT008V1 Flyback SMPS schematic



## Revision history

**Table 1. Document revision history**

Date	Version	Changes
01-Feb-2016	1	Initial release.
06-Feb-2019	2	Added cover page product summary table. Updated cover page description Minor text and formatting changes

**IMPORTANT NOTICE – PLEASE READ CAREFULLY**

STMicroelectronics NV and its subsidiaries (“ST”) reserve the right to make changes, corrections, enhancements, modifications, and improvements to ST products and/or to this document at any time without notice. Purchasers should obtain the latest relevant information on ST products before placing orders. ST products are sold pursuant to ST’s terms and conditions of sale in place at the time of order acknowledgement.

Purchasers are solely responsible for the choice, selection, and use of ST products and ST assumes no liability for application assistance or the design of Purchasers’ products.

No license, express or implied, to any intellectual property right is granted by ST herein.

Resale of ST products with provisions different from the information set forth herein shall void any warranty granted by ST for such product.

ST and the ST logo are trademarks of ST. All other product or service names are the property of their respective owners.

Information in this document supersedes and replaces information previously supplied in any prior versions of this document.

© 2019 STMicroelectronics – All rights reserved