

# NUCLEO-L4XXZX

---

MB1312

---

## Table of contents

---

- Sheet 1: Project overview (this page)
- Sheet 2: Top
- Sheet 3: STM32 microcontroller I/Os
- Sheet 4: STM32 microcontroller power
- Sheet 5: Connectors
- Sheet 6: USB
- Sheet 7: Power\_SMPS
- Sheet 8: Power\_board
- Sheet 9: ST-Link/V2-1

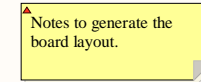
## Legend

---

General comment such as function title, configuration, ...

Text to be added to silkscreen.

Warning text.



## Open Platform License Agreement

---

The Open Platform License Agreement (“Agreement”) is a binding legal contract between you (“You”) and STMicroelectronics International N.V. (“ST”), a company incorporated under the laws of the Netherlands acting for the purpose of this Agreement through its Swiss branch 39, Chemin du Champ des Filles, 1228 Plan-les-Ouates, Geneva, Switzerland.

By using the enclosed reference designs, schematics, PC board layouts, and documentation, in hardcopy or CAD tool file format (collectively, the “Reference Material”), You are agreeing to be bound by the terms and conditions of this Agreement. Do not use the Reference Material until You have read and agreed to this Agreement terms and conditions. The use of the Reference Material automatically implies the acceptance of the Agreement terms and conditions.

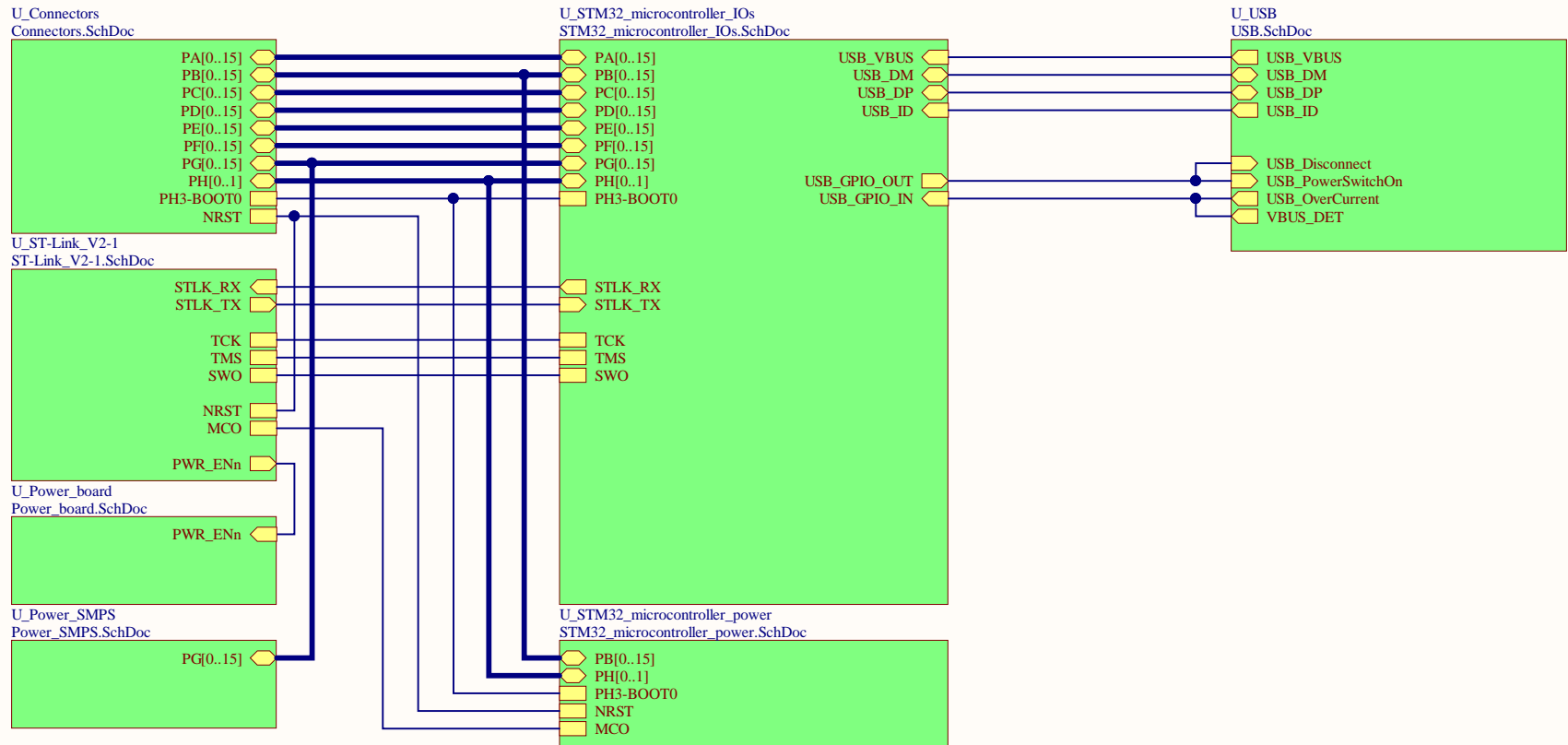
The complete Open Platform License Agreement can be found on [www.st.com/opla](http://www.st.com/opla).

U\_MB1312\_TOP  
MB1312\_TOP.SchDoc



Title: <b>Project overview</b>	
Project: <b>NUCLEO-L4XXZX</b>	
Variant: [No Variations]	
Revision: A-03	Reference: <b>MB1312</b>
Size: A4	Date: 07-NOV-19
Sheet: 1	of 9

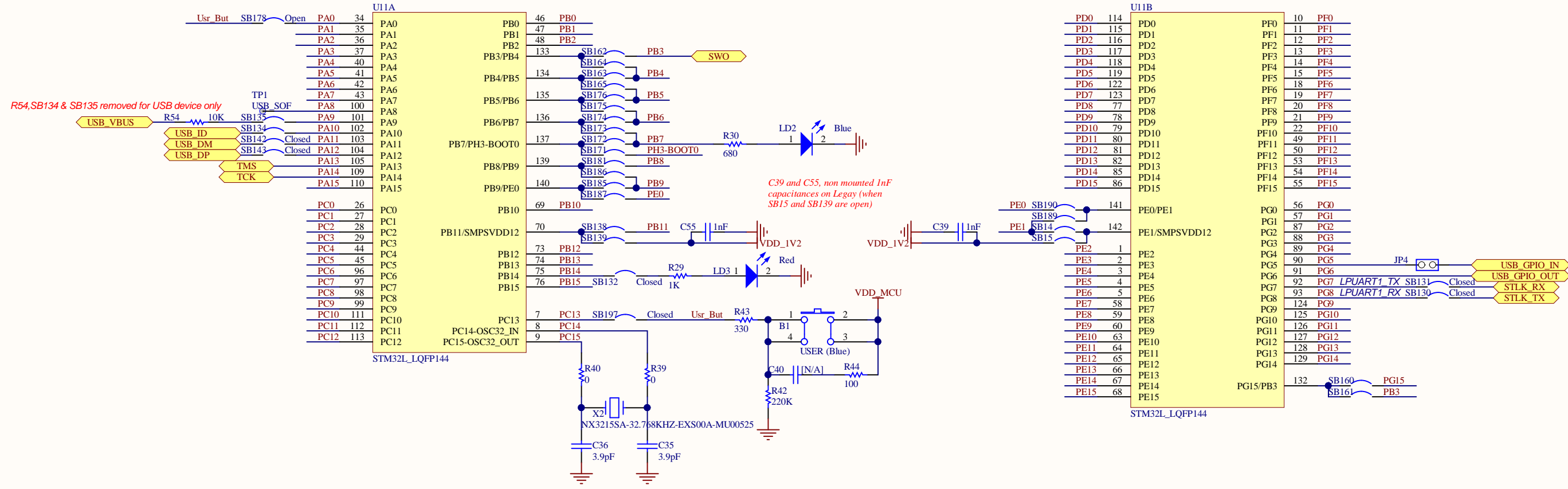




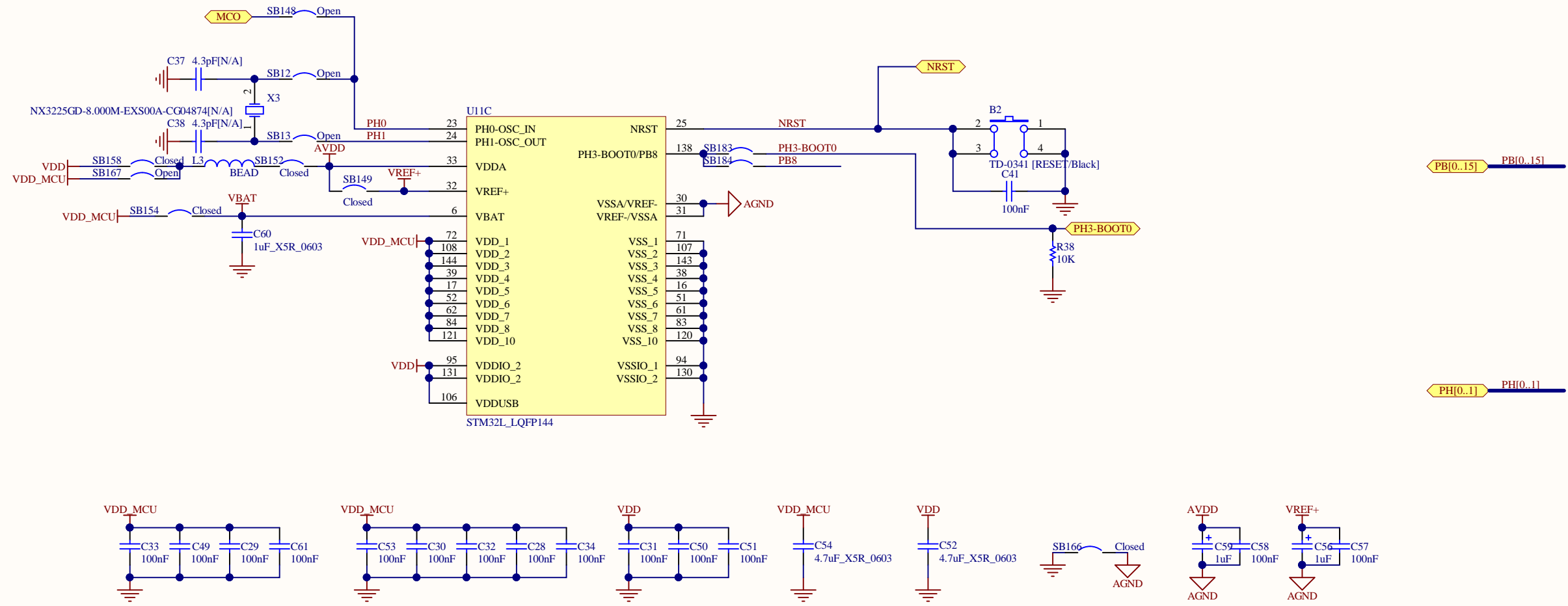
Note1: Text in italic placed on a wire does not correspond to net name. It just helps to identify rapidly Arduino's signal related to this wire.

Title: <b>MB1312_TOP</b>	
Project: <b>NUCLEO-L432ZI</b>	
Variant: [No Variations]	
Revision: <b>A-03</b>	Reference: <b>MB1312</b>
Size: <b>A4</b>	Date: <b>07-NOV-19</b>
Sheet: <b>2</b> of <b>9</b>	





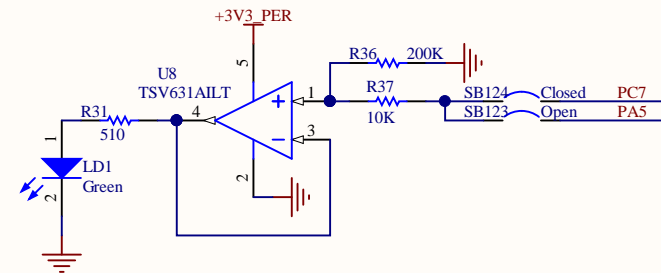
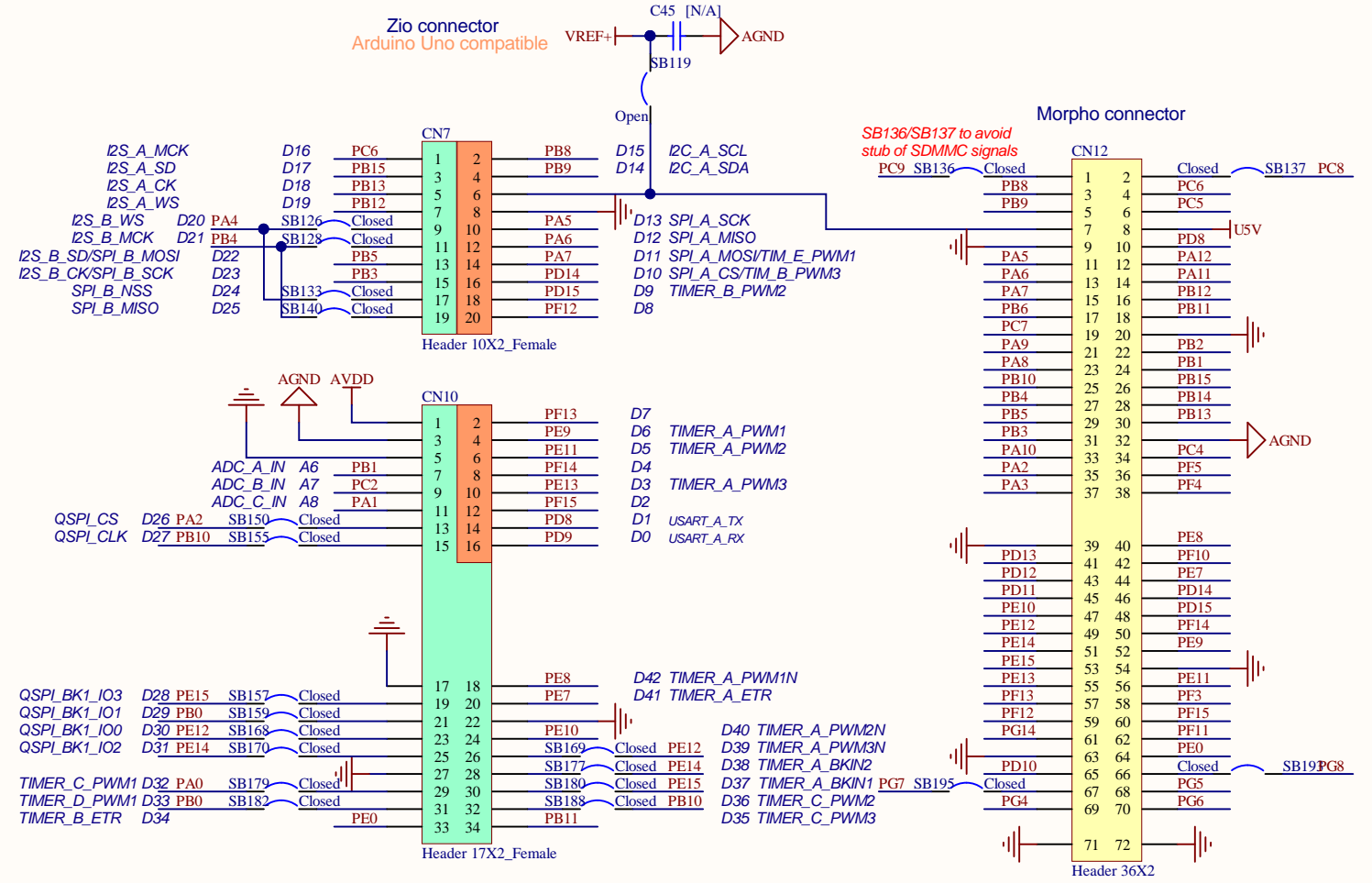
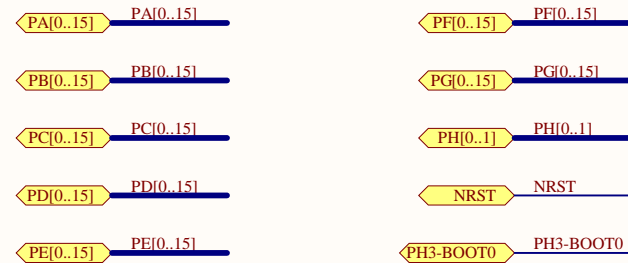
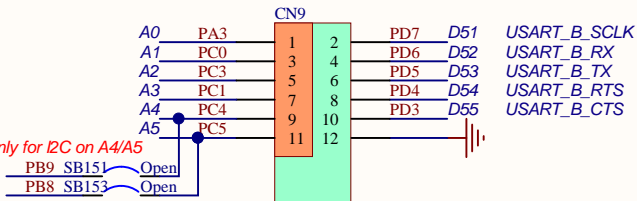
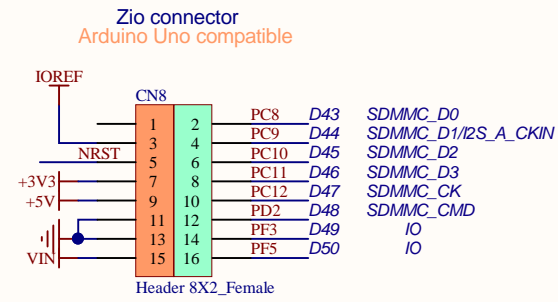
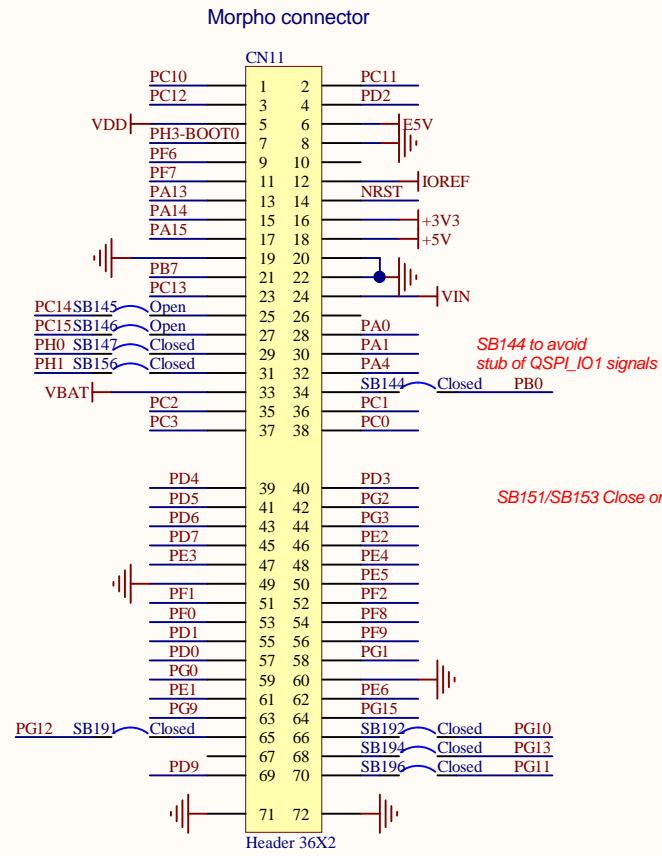
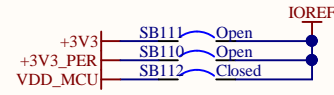
- PA[0..15] PA0..151
- PB[0..15] PB0..151
- PC[0..15] PC0..151
- PD[0..15] PD0..151
- PE[0..15] PE0..151
- PF[0..15] PF0..151
- PG[0..15] PG0..151
- PH[0..1] PH0..11
- PH3-BOOT0 PH3-BOOT0

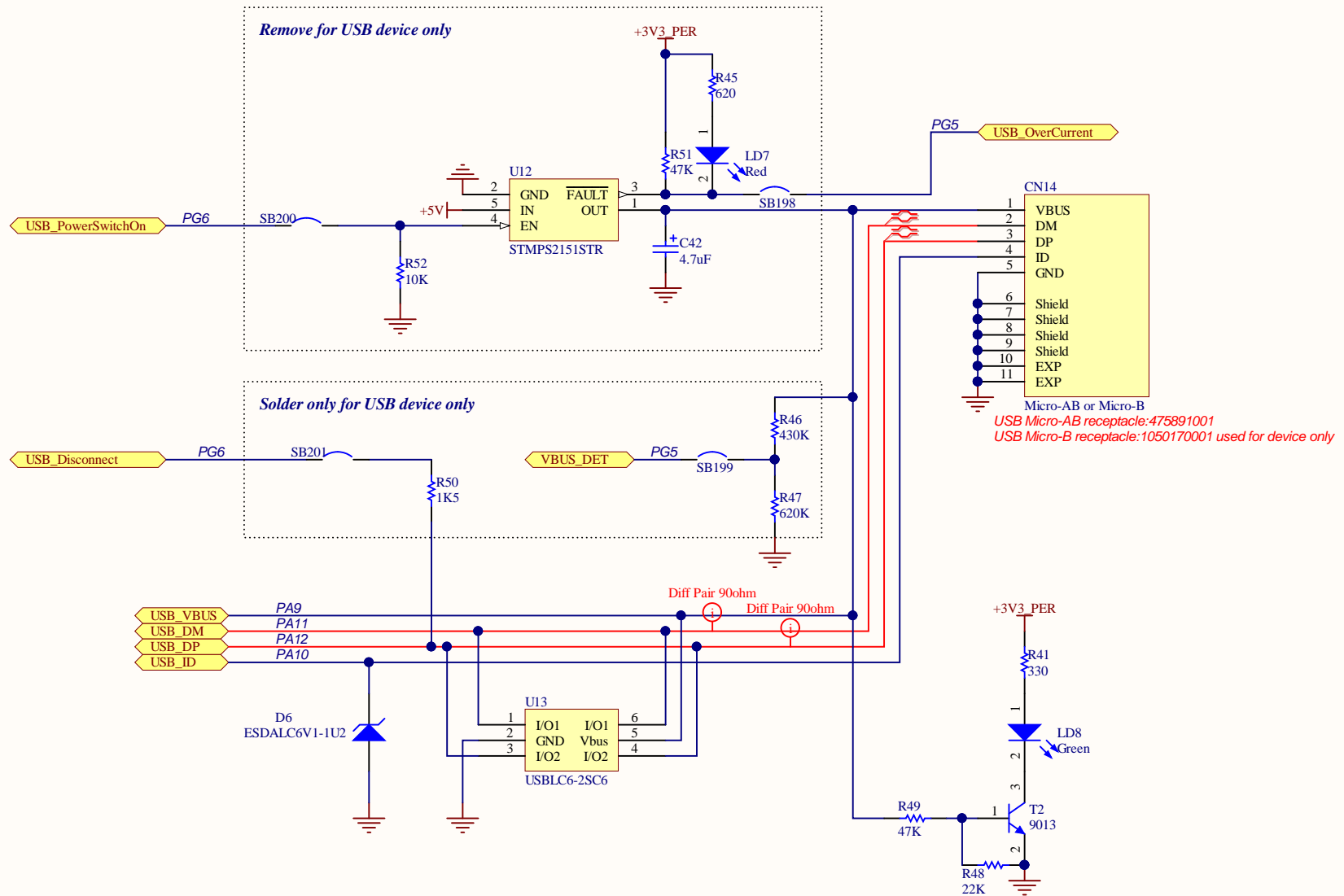


PB[0..15] PB[0..15]

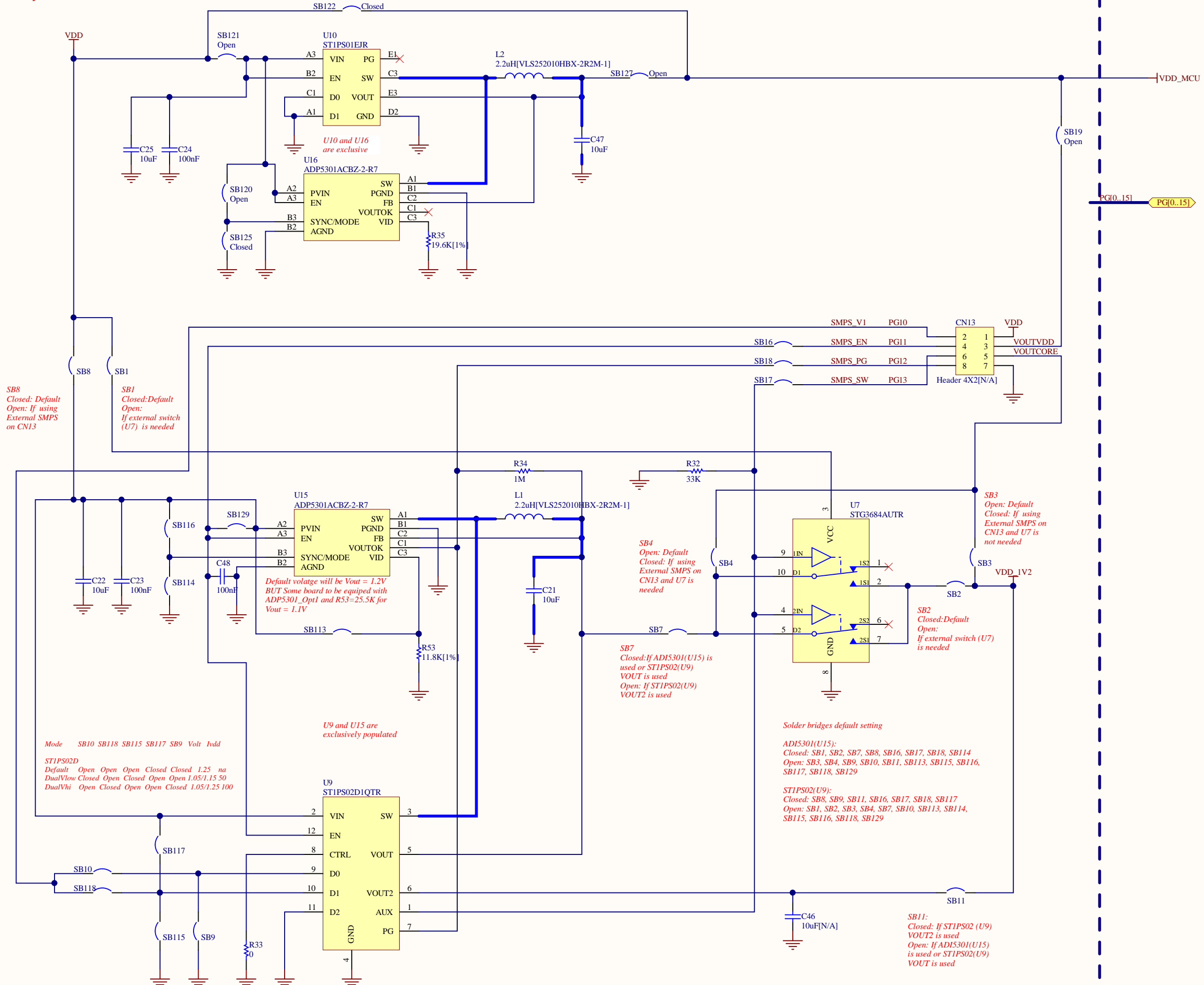
PH[0..1] PH[0..1]

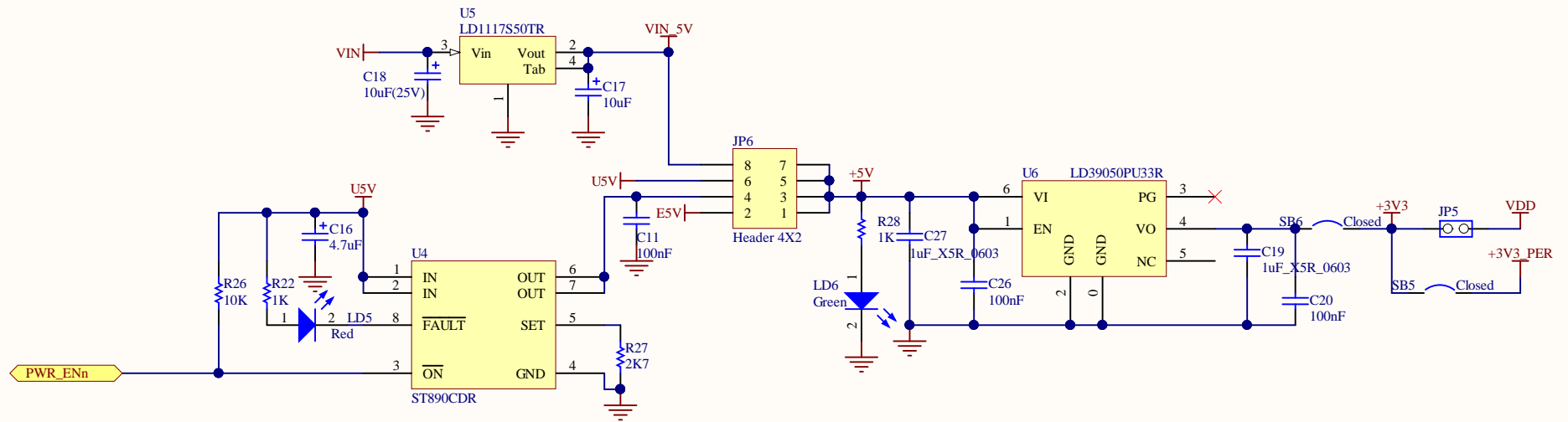
# Extension connectors





Componants mounted based on different board reference





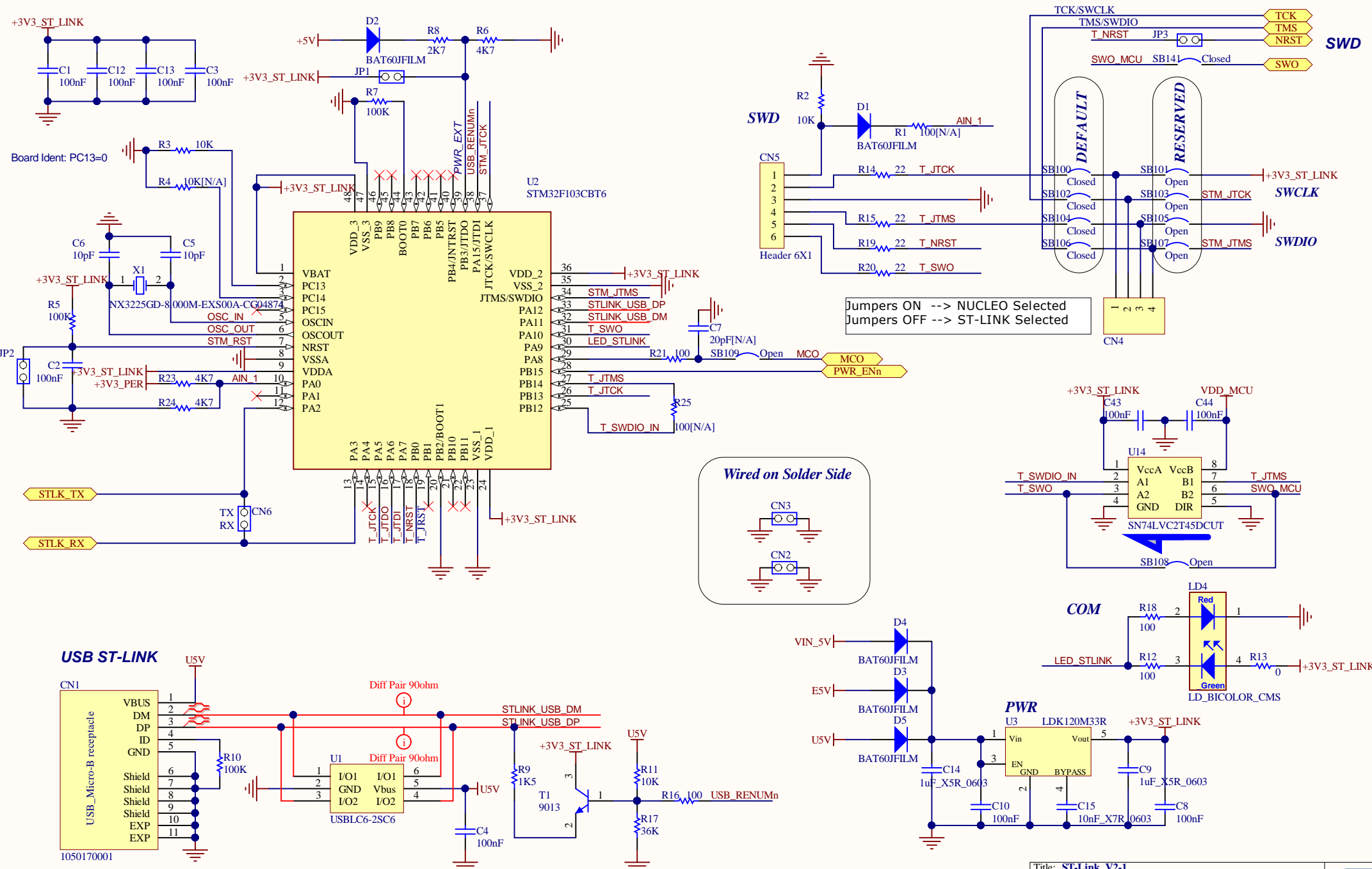
Power Switch to supply +5V from STLINK USB

Note1: Text in italic placed on a wire does not correspond to net name. It just helps to identify rapidly Arduino's signal related to this wire.

Title: <b>Power_board</b>	
Project: <b>NUCLEO-L4XXZX</b>	
Variant: [No Variations]	
Revision: A-03	Reference: MB1312
Size: A4	Date: 07-NOV-19
	Sheet: 8 of 9







**USB ST-LINK**

