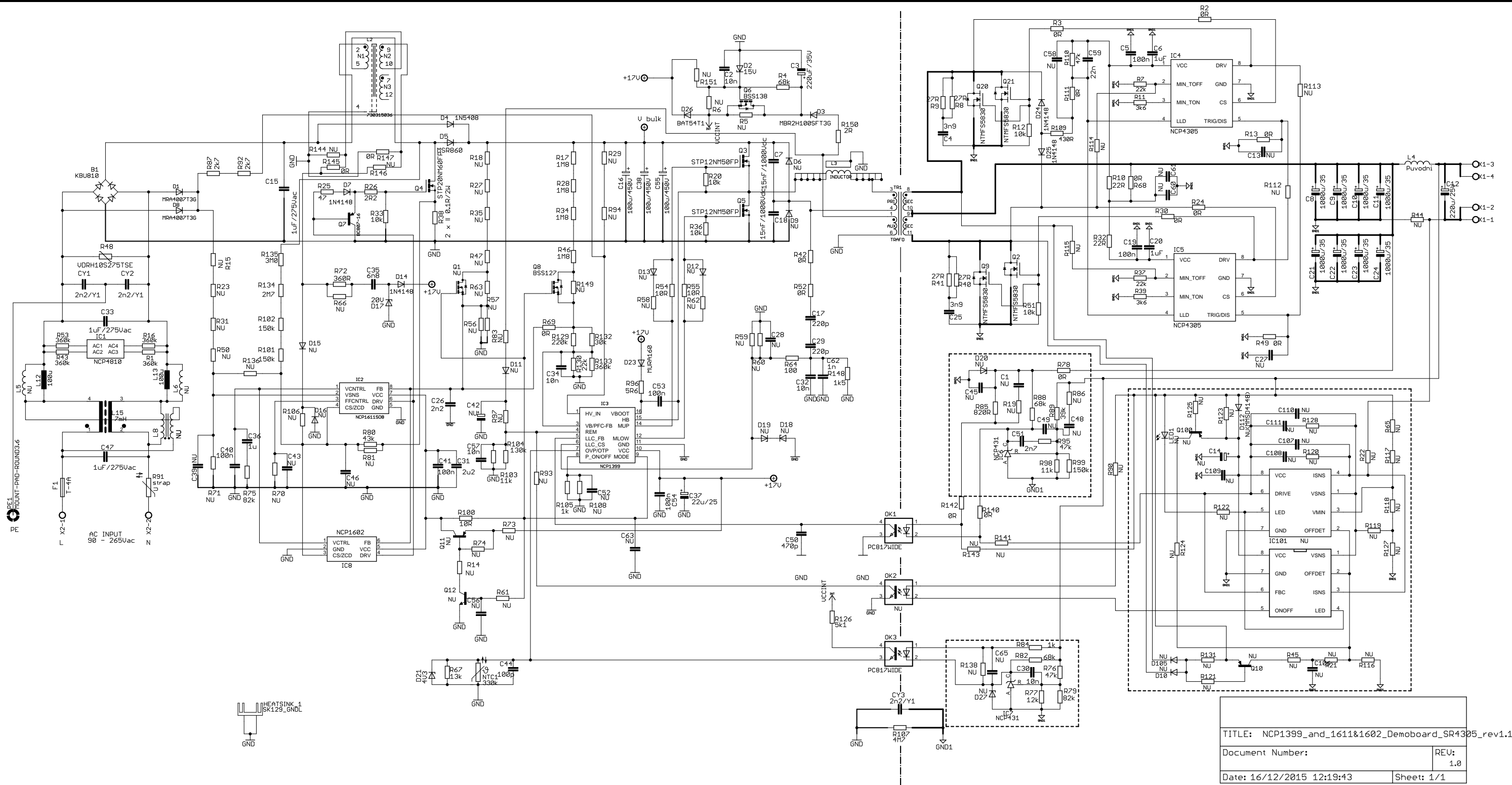




Schematic for the NCP1399AIOGEVB Evaluation Board



TITLE: NCP1399_and_1611&1602_Demoboard_SR4305_rev1.1	
Document Number:	REV: 1.0
Date: 16/12/2015 12:19:43	Sheet: 1/1