

# STM8 NUCLEO-32

---

MB1442

---

## Table of contents

---

- Sheet 1: Project overview (this page)
- Sheet 2: Top
- Sheet 3: ST-LinkV2 SWIM
- Sheet 4: MCU / Power / IOs / Arduino
- Sheet 5: Mechanical

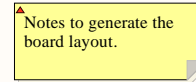
## Legend

---

General comment such as function title, configuration, ...

Text to be added to silkscreen.

Warning text.



## Open Platform License Agreement

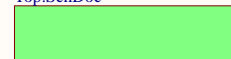
---

The Open Platform License Agreement (“Agreement”) is a binding legal contract between you (“You”) and STMicroelectronics International N.V. (“ST”), a company incorporated under the laws of the Netherlands acting for the purpose of this Agreement through its Swiss branch 39, Chemin du Champ des Filles, 1228 Plan-les-Ouates, Geneva, Switzerland.

By using the enclosed reference designs, schematics, PC board layouts, and documentation, in hardcopy or CAD tool file format (collectively, the “Reference Material”), You are agreeing to be bound by the terms and conditions of this Agreement. Do not use the Reference Material until You have read and agreed to this Agreement terms and conditions. The use of the Reference Material automatically implies the acceptance of the Agreement terms and conditions.

The complete Open Platform License Agreement can be found on [www.st.com/opla](http://www.st.com/opla).

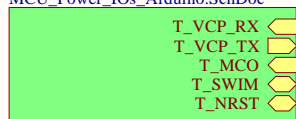
U\_Top  
Top.SchDoc



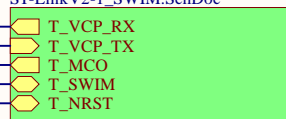
Title: <b>Project overview</b>		
Project: <b>STM8 NUCLEO-32</b>		
Variant: S207K8		
Revision: B-03		Reference: MB1442
Size: A4	Date: 22-JUL-19	Sheet: 1 of 5



U\_MCU\_Power\_IOs\_Arduino  
MCU\_Power\_IOs\_Arduino.SchDoc



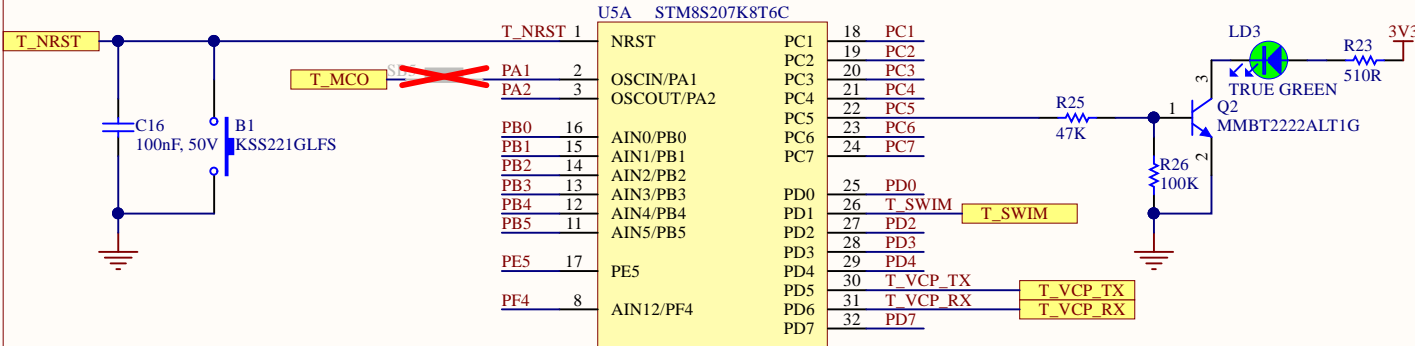
U\_ST-LinkV2-1\_SWIM  
ST-LinkV2-1\_SWIM.SchDoc



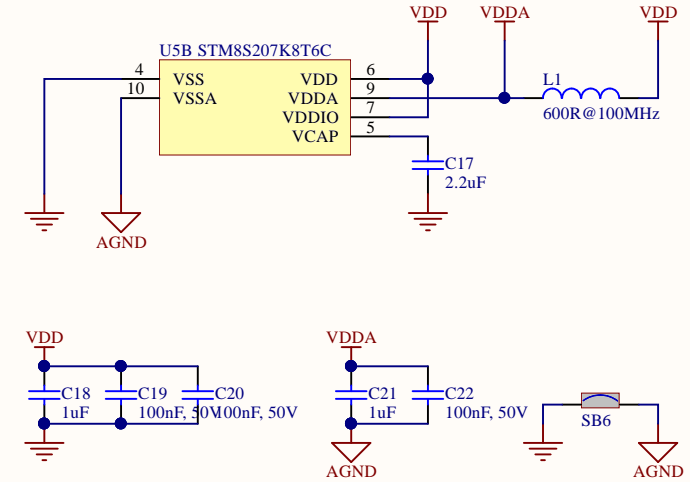
U\_Mechanical  
Mechanical.SchDoc



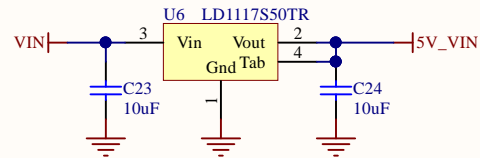
## STM8 MCU I/Os



## STM8 MCU PWR SUPPLIES

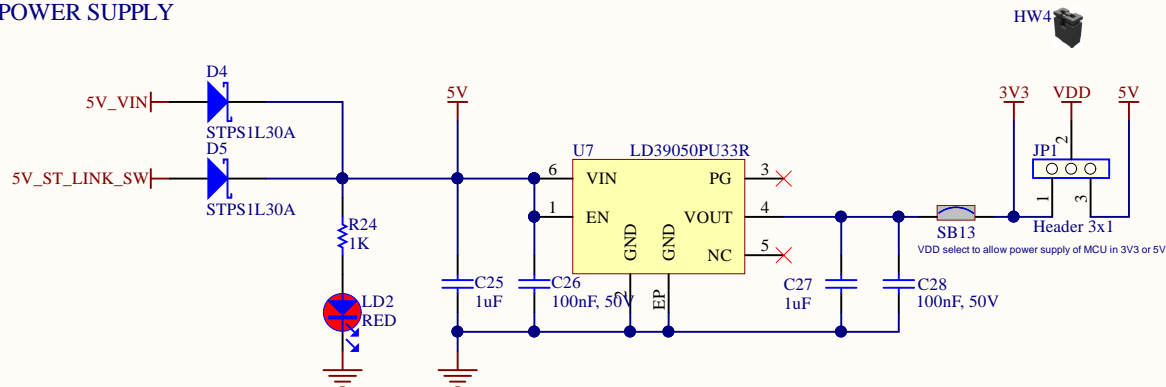


## VIN PWR SUPPLY

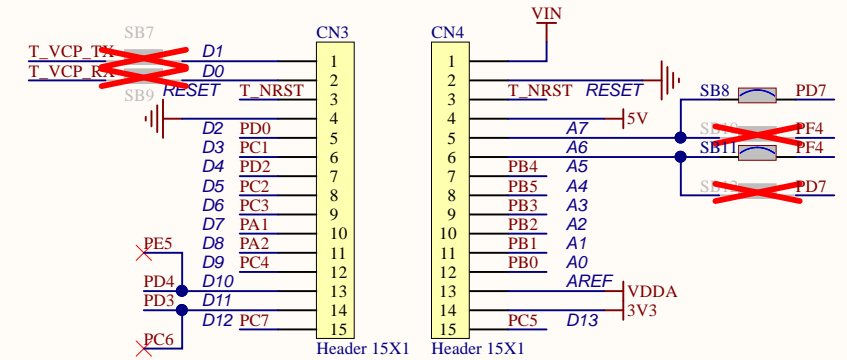


266-101-10-00

## POWER SUPPLY



## ARDUINO NANO CONNECTORS



Title: MCU/Power/IOs/Arduino

Project: STM8 NUCLEO-32

Variant: S207K8

Revision: B-03

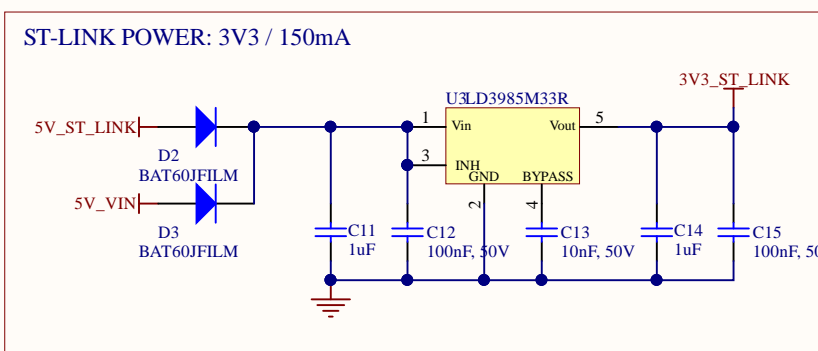
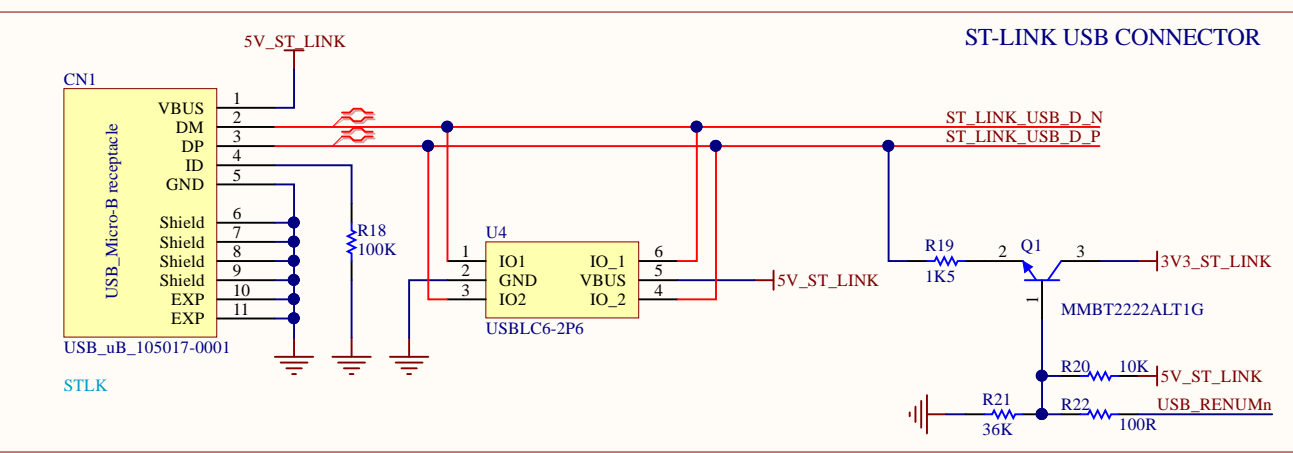
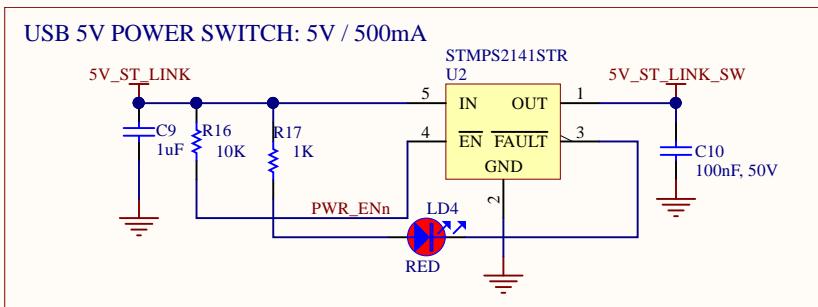
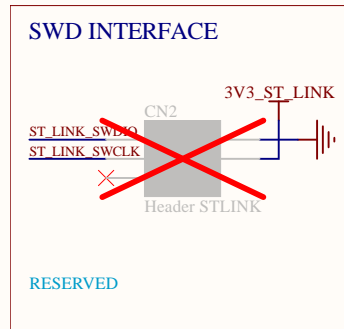
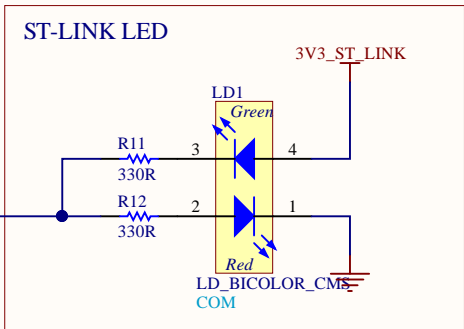
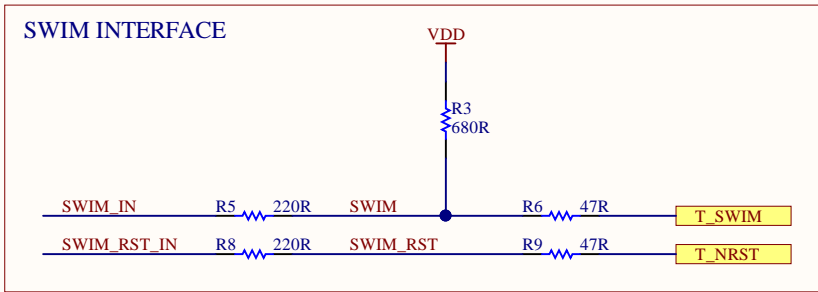
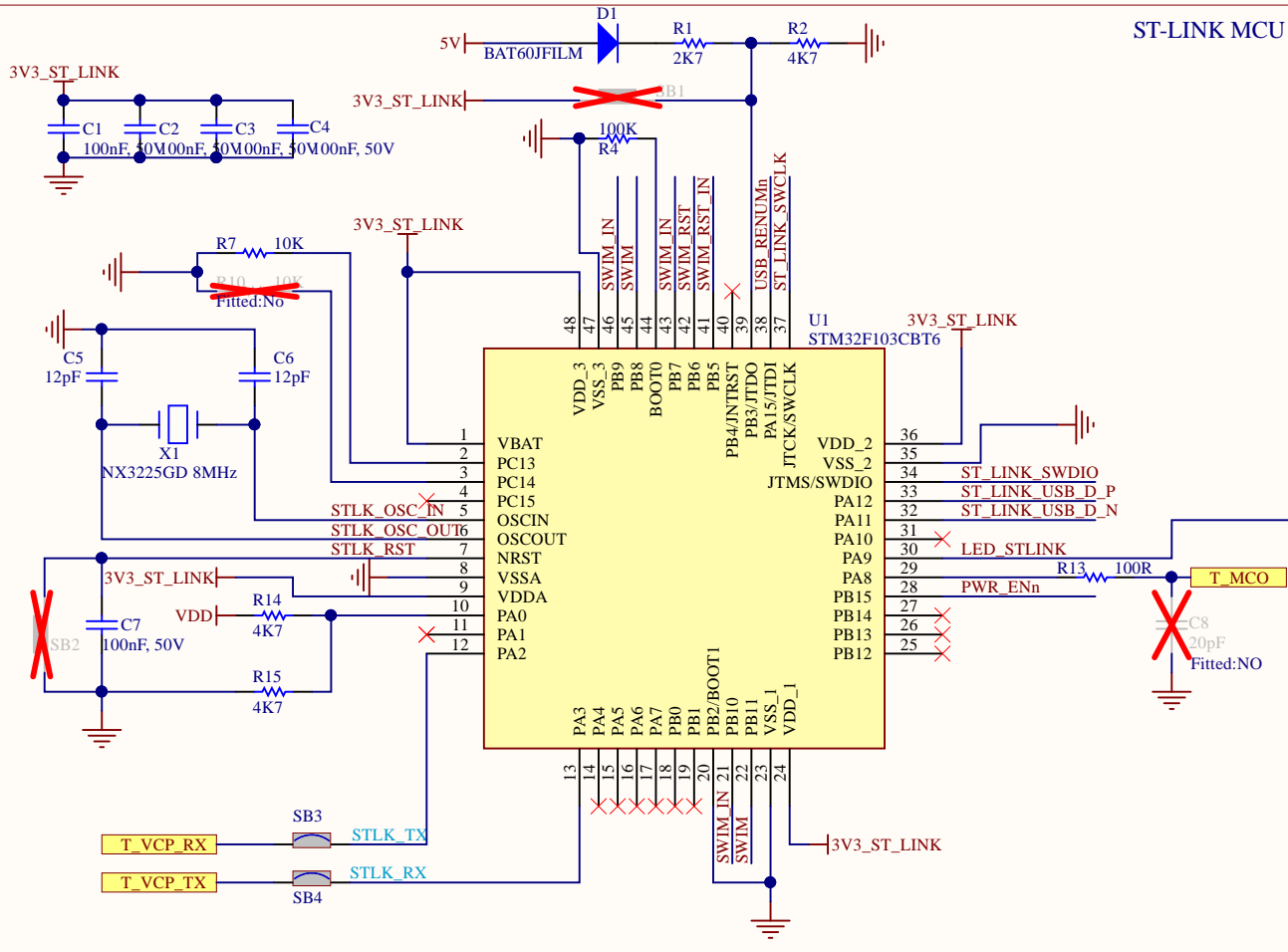
Size: A4

Date: 22-JUL-19

Reference: MB1442

Sheet: 3 of 5





HW1

BOARD REF

MBxxxxy-zz syywxxxxx

HW2

PCB

MBxxxxy

Title: <b>Mechanical</b>		
Project: <b>STM8 NUCLEO-32</b>		
Variant: S207K8		
Revision: B-03		Reference: MB1442
Size: A4	Date: 22-JUL-19	Sheet: 5 of 5





