

LMR10530 5.5-V, 3-A, 1.5 or 3-MHz Step-Down Regulator in WSON Package

1 Features

- Input Voltage Range of 3 V to 5.5 V
- Output Voltage Range of 0.6 V to 4.5 V
- 1.5-MHz (LMR10530X) and 3-MHz (LMR10530Y) Switching Frequencies
- 3-A Steady-State Output Current
- Low Shutdown I_Q , 300 nA Typical
- 56-m Ω PMOS Switch
- Internal Soft Start
- Internally Compensated Peak Current-Mode Control
- Cycle-by-cycle Current Limit and Thermal Shutdown
- WSON (3 × 3 × 0.8 mm) Packaging
- Create a custom design using the LMR10530 with the [WEBENCH® Power Designer](#)

2 Applications

- Point-of-load Conversions from 3.3-V and 5-V Rails
- Space-Constrained Applications

3 Description

The LMR10530 regulator is a monolithic, high frequency, PWM step-down DC/DC converter available in a 10-pin WSON package. It contains all the active functions to provide local DC/DC conversion with fast transient response and accurate regulation in the smallest possible PCB area. With a minimum of external components, the LMR10530 is easy to use. The ability to drive 3-A loads with an internal 56-m Ω PMOS switch using state-of-the-art 0.5- μ m BiCMOS technology results in the best power density available. The control circuitry allows on-times as low as 30 ns, thus supporting exceptionally high-frequency conversion over the entire 3-V to 5.5-V input operating range down to the minimum output voltage of 0.6 V. Switching frequency is internally set to 1.5 MHz or 3 MHz, allowing the use of extremely small surface mount inductors and capacitors. Even though the operating frequency is high, efficiencies up to 93% are easy to achieve. External shutdown is included, featuring an ultra-low stand-by current of 300 nA. The LMR10530 utilizes peak current-mode control and internal compensation to provide high-performance regulation over a wide range of operating conditions. Additional features include internal soft-start circuitry to reduce inrush current, cycle-by-cycle current limit, frequency foldback, thermal shutdown, and output overvoltage protection.

Device Information⁽¹⁾

| PART NUMBER | PACKAGE | BODY SIZE (NOM) |
|-------------|-----------|-------------------|
| LMR10530 | WSON (10) | 3.00 mm × 3.00 mm |

(1) For all available packages, see the orderable addendum at the end of the data sheet.

Typical Application

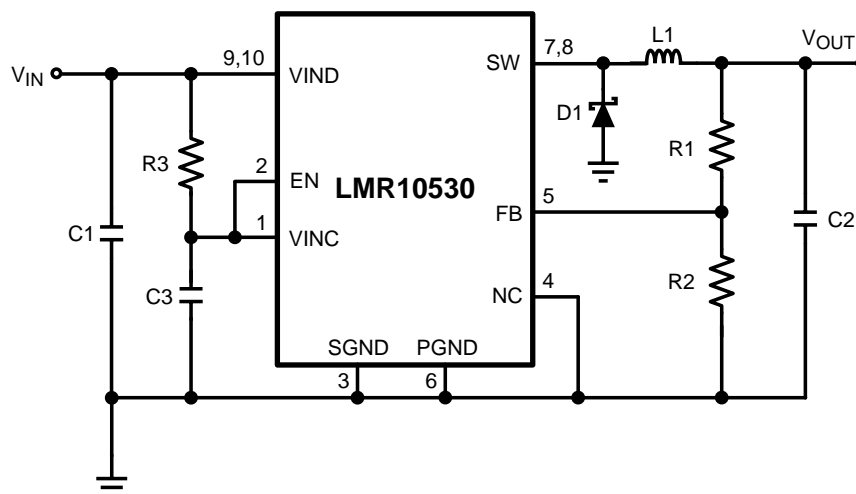


Table of Contents

| | | | |
|--|-----------|--|-----------|
| 1 Features | 1 | 8 Application and Implementation | 16 |
| 2 Applications | 1 | 8.1 Application Information..... | 16 |
| 3 Description | 1 | 8.2 Typical Application | 16 |
| 4 Revision History | 2 | 9 Layout | 26 |
| 5 Pin Configuration and Functions | 3 | 9.1 Layout Considerations | 26 |
| 6 Specifications | 4 | 10 Device and Documentation Support | 27 |
| 6.1 Absolute Maximum Ratings | 4 | 10.1 Device Support..... | 27 |
| 6.2 Recommended Operating Ratings..... | 4 | 10.2 Receiving Notification of Documentation Updates | 27 |
| 6.3 Electrical Characteristics..... | 5 | 10.3 Community Resources..... | 27 |
| 6.4 Typical Characteristics | 6 | 10.4 Trademarks | 27 |
| 7 Detailed Description | 10 | 10.5 Electrostatic Discharge Caution..... | 27 |
| 7.1 Overview | 10 | 10.6 Glossary | 28 |
| 7.2 Functional Block Diagram | 11 | 11 Mechanical, Packaging, and Orderable | |
| 7.3 Feature Description..... | 12 | Information | 28 |

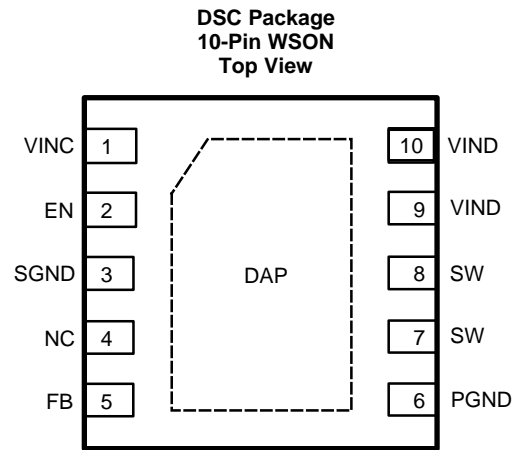
4 Revision History

NOTE: Page numbers for previous revisions may differ from page numbers in the current version.

| Changes from Revision A (April 2013) to Revision B | Page |
|---|-------------|
| • Editorial changes only; add WEBENCH links | 1 |

| Changes from Original (April 2013) to Revision A | Page |
|---|-------------|
| • Changed layout of National Semiconductor data sheet to TI format..... | 1 |

5 Pin Configuration and Functions



Pin Descriptions

| PIN | | DESCRIPTION |
|-------|----------------|--|
| NO. | NAME | |
| 1 | VINC | Input supply for internal bias and control circuitry. Need to locally bypass this pin to GND. |
| 2 | EN | Enable control input. Logic high enables operation. Do not allow this pin to float or subject to voltages greater than $V_{IN} + 0.3V$. |
| 3 | SGND | Signal (analog) ground. Place the bottom resistor of the feedback network as close as possible to this pin for good load regulation. |
| 4 | NC | No user function, connect this pin to GND. |
| 5 | FB | Feedback pin. Connect this pin to the external resistor divider to set output voltage. |
| 6 | PGND | Power ground pin. Provides ground return path for the internal driver. |
| 7, 8 | SW | Switch pins. Connect these pins to the inductor and catch diode. |
| 9, 10 | VIND | Input supply voltage. Connect a bypass capacitor locally from these pins to PGND. |
| DAP | Die Attach Pad | Connect to system ground for low thermal impedance, but it cannot be used as a primary GND connection. |

6 Specifications

6.1 Absolute Maximum Ratings

 See notes⁽¹⁾⁽²⁾.

| | |
|---|------------------------|
| VINC, VIND | -0.5V to 7V |
| FB Voltage | -0.5V to 3V |
| EN Voltage | -0.5V to $V_{IN}+0.3V$ |
| SW Voltage | -0.5V to 7V |
| ESD Susceptibility ⁽³⁾ | 2kV |
| Junction Temperature ⁽⁴⁾ | 150°C |
| Storage Temperature | -65°C to +150°C |
| Soldering Information Infrared/Convection Reflow (15 sec) | 220°C |

- (1) Absolute Maximum Ratings indicate limits beyond which damage to the device may occur, including inoperability and degradation of device reliability and/or performance. Functional operation of the device and/or non-degradation at the Absolute Maximum Ratings or other conditions beyond those indicated in the recommended Operating Ratings is not implied. The recommended Operating Ratings indicate conditions at which the device is functional and should not be operated beyond such conditions.
- (2) If Military/Aerospace specified devices are required, contact the Texas Instruments Sales Office/ Distributors for availability and specifications.
- (3) Human body model, 1.5 k Ω in series with 100 pF.
- (4) Thermal shutdown occurs if the junction temperature exceeds the maximum junction temperature of the device.

6.2 Recommended Operating Ratings

| | |
|----------------------|-----------------|
| VINC, VIND | 3V to 5.5V |
| Junction Temperature | -40°C to +125°C |

6.3 Electrical Characteristics

Unless otherwise specified under the **Conditions** column, $V_{IN} = 5\text{ V}$. Limits in standard type are for $T_J = 25^\circ\text{C}$ only; limits in **boldface type** apply over the junction temperature (T_J) range of -40°C to $+125^\circ\text{C}$. Minimum and Maximum limits are ensured through test, design, or statistical correlation. Typical values represent the most likely parametric norm, and are provided for reference purposes only.

| PARAMETER | | TEST CONDITIONS | MIN | TYP | MAX | UNIT |
|---|---|--------------------------------------|--------------|-------|--------------|--------------------|
| V_{FB} | Feedback Voltage | WSO-10 Package | 0.588 | 0.600 | 0.612 | V |
| $\Delta V_{FB}/(\Delta V_{IN} \times V_{FB})$ | Feedback Voltage Line Regulation | $V_{IN} = 3\text{V to } 5.5\text{V}$ | | 0.08 | | %/V |
| I_B | Feedback Input Bias Current | | | 0.1 | 100 | nA |
| $UVLO$ | Undervoltage Lockout | V_{IN} Rising | | 2.70 | 2.90 | V |
| | | V_{IN} Falling | 1.85 | 2.35 | | |
| | UVLO Hysteresis | | | 0.35 | | V |
| f_{SW} | Switching Frequency | LMR10530X | 1.1 | 1.5 | 1.95 | MHz |
| | | LMR10530Y | 2.25 | 3.0 | 3.75 | |
| D_{MAX} | Maximum Duty Cycle | LMR10530X | 86% | 95% | | |
| | | LMR10530Y | 80% | 90% | | |
| D_{MIN} | Minimum Duty Cycle | LMR10530X | | 5% | | |
| | | LMR10530Y | | 7% | | |
| $R_{DS(ON)}$ | Switch On Resistance | | | 58 | 90 | m Ω |
| I_{CL} | Switch Current Limit | | 3.4 | 4.4 | | A |
| V_{EN_TH} | Enable Threshold Voltage | | 1.8 | | | V |
| | Shutdown Threshold Voltage | | | | 0.4 | |
| I_{SW} | Switch Leakage | | | 100 | | nA |
| I_{EN} | Enable Pin Current | Sink/Source | | 100 | | nA |
| I_Q | Quiescent Current (switching) | LMR10530X, $V_{FB} = 0.55$ | | 3.2 | 5 | mA |
| | | LMR10530Y, $V_{FB} = 0.55$ | | 4.3 | 6.5 | |
| | Quiescent Current (shutdown) | All Options $V_{EN} = 0\text{V}$ | | 300 | | nA |
| V_{FB_F} | FB Frequency Foldback Threshold | All Options | | 0.32 | | V |
| f_{FB} | Foldback Frequency | LMR10530X, $V_{FB} = 0\text{V}$ | | 400 | | kHz |
| | | LMR10530Y, $V_{FB} = 0\text{V}$ | | 800 | | |
| θ_{JA} | Junction to Ambient 0 LFPM Air Flow ⁽¹⁾ | | | 53 | | $^\circ\text{C/W}$ |
| θ_{JC} | Junction to Case ⁽¹⁾ | | | 12 | | $^\circ\text{C/W}$ |
| T_{SD} | Thermal Shutdown Threshold ⁽²⁾ | Junction Temperature Rising | | 165 | | $^\circ\text{C}$ |
| T_{SD_HYS} | Thermal Shutdown Hysteresis | Junction Temperature Falling | | 15 | | $^\circ\text{C}$ |

(1) Applies for packages soldered directly onto a 4" x 3" 4-layer standard JEDEC board in still air.

(2) Thermal shutdown occurs if the junction temperature exceeds the maximum junction temperature of the device.

6.4 Typical Characteristics

Unless otherwise specified, $V_{IN} = 5\text{ V}$ and $T_A = 25^\circ\text{C}$

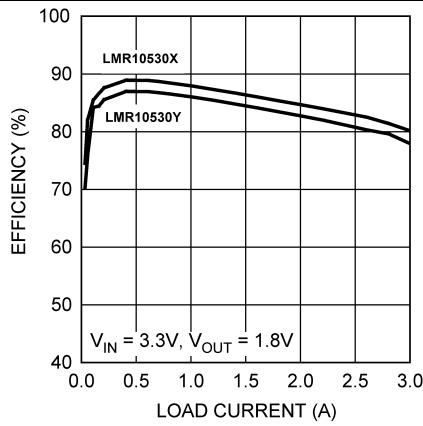


Figure 1. Efficiency vs Load Current - Both Options

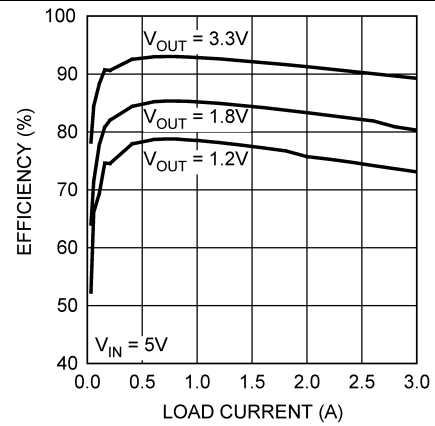


Figure 2. Efficiency vs Load Current - LMR10530X

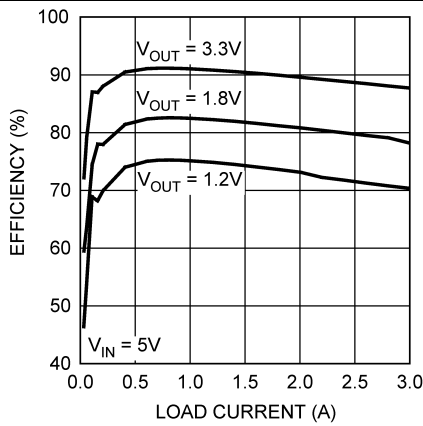


Figure 3. Efficiency vs Load Current - LMR10530Y

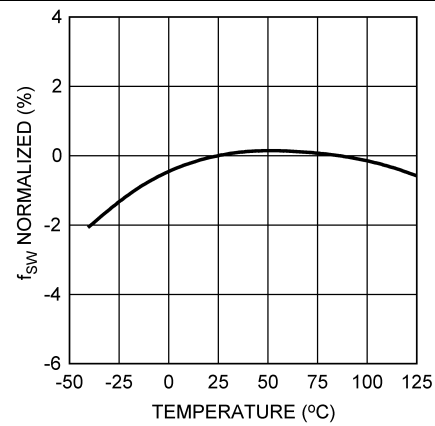


Figure 4. Oscillator Frequency vs Temperature - LMR10530X

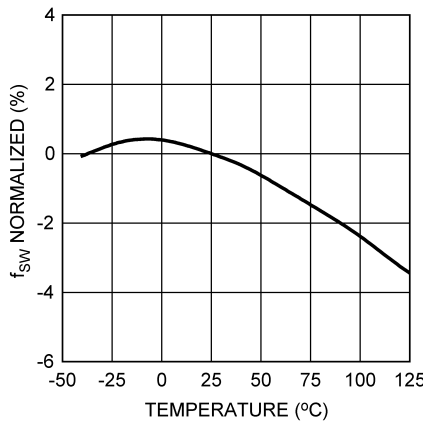


Figure 5. Oscillator Frequency vs Temperature - LMR10530Y

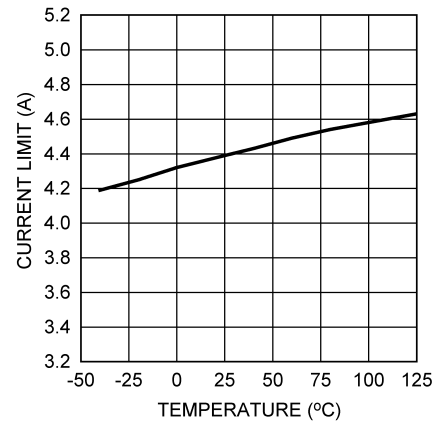


Figure 6. Current Limit vs Temperature

Typical Characteristics (continued)

Unless otherwise specified, $V_{IN} = 5\text{ V}$ and $T_A = 25^\circ\text{C}$

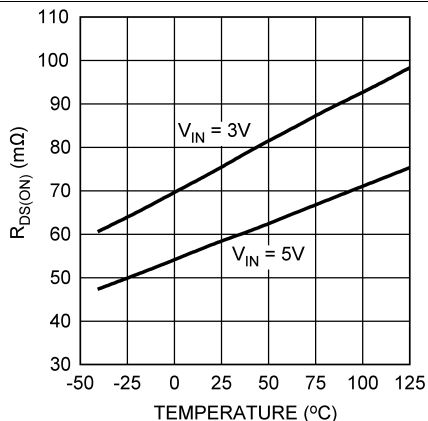


Figure 7. $R_{DS(ON)}$ vs Temperature

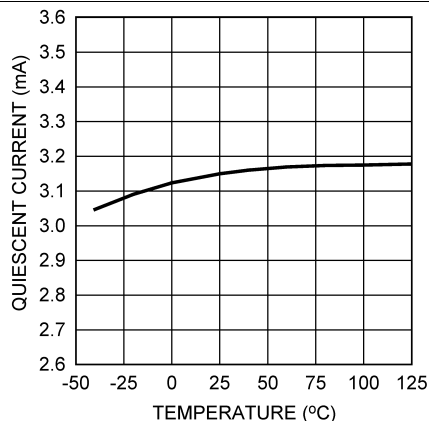


Figure 8. LMR10530X I_Q (Switching)

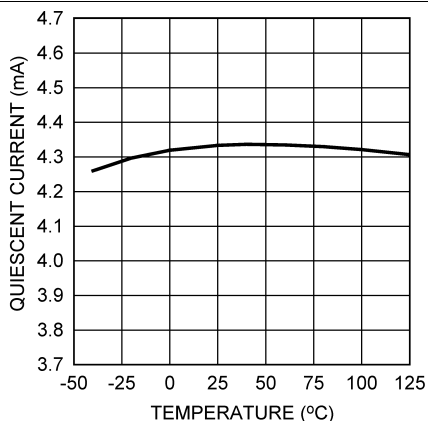


Figure 9. LMR10530Y I_Q (Switching)

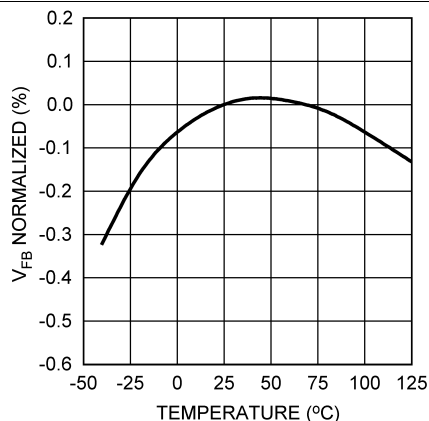


Figure 10. V_{FB} vs Temperature

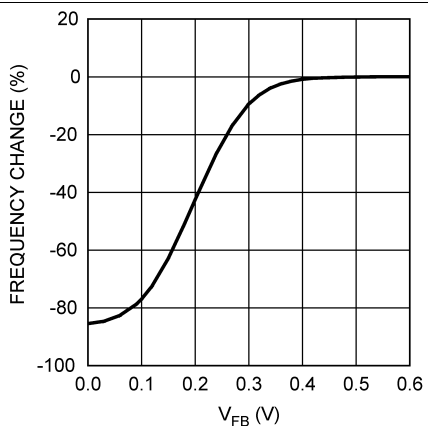


Figure 11. Frequency Foldback

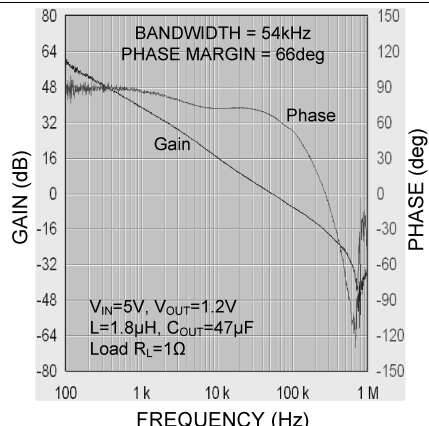


Figure 12. Loop Gain and Phase - LMR10530X

Typical Characteristics (continued)

Unless otherwise specified, $V_{IN} = 5\text{ V}$ and $T_A = 25^\circ\text{C}$

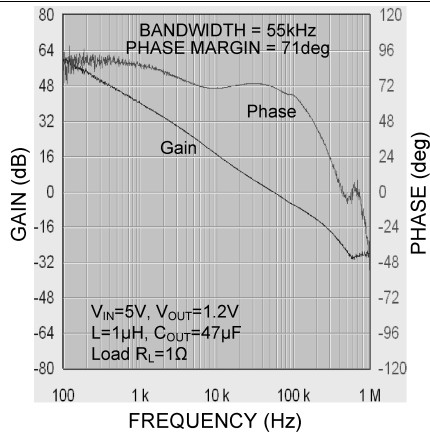


Figure 13. Loop Gain And Phase - LMR10530Y

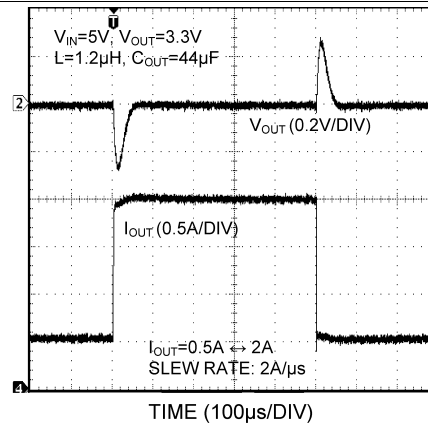


Figure 14. Load Step Response - LMR10530X

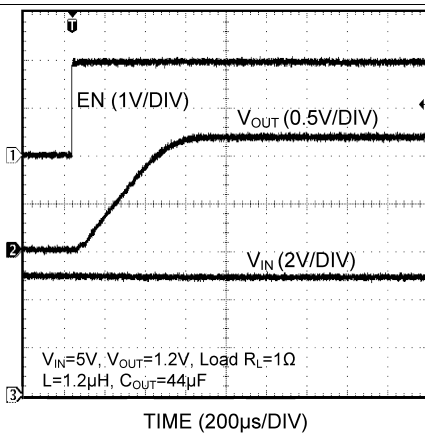


Figure 15. Start-up by EN - LMR10530X

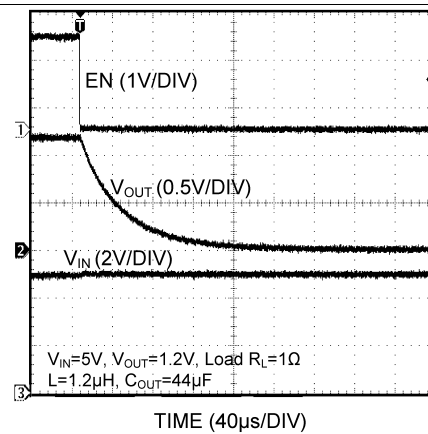


Figure 16. Shutdown by EN - LMR10530X

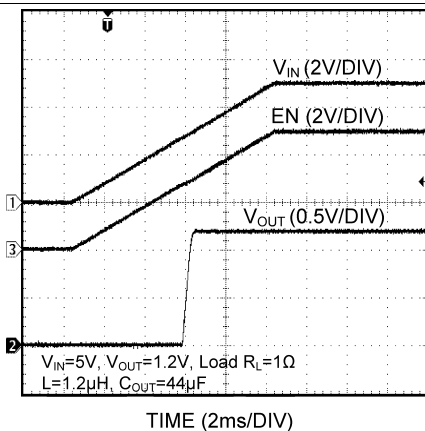


Figure 17. Startup With EN Tied to VIN - LMR10530X

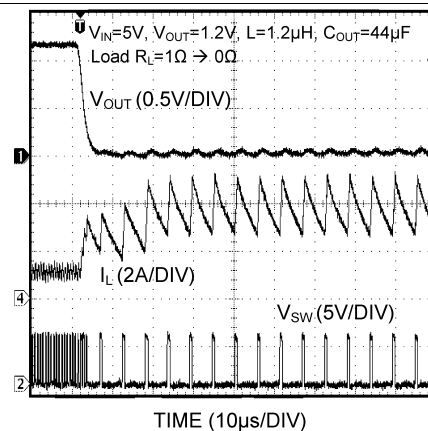
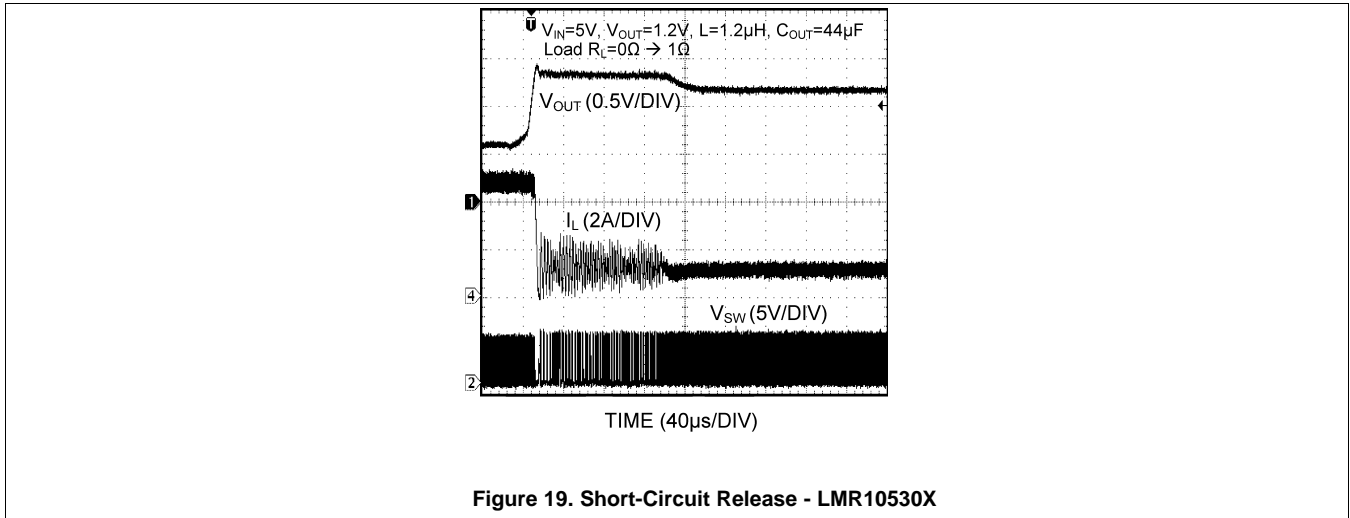


Figure 18. Short-Circuit Triggering - LMR10530X

Typical Characteristics (continued)

Unless otherwise specified, $V_{IN} = 5\text{ V}$ and $T_A = 25^\circ\text{C}$



7 Detailed Description

7.1 Overview

The LMR10530 is a constant frequency PWM buck regulator IC that delivers a 3-A load current. The regulator is available in preset switching frequencies of 1.5 MHz or 3 MHz. This high frequency allows the LMR10530 to operate with small surface mount capacitors and inductors, resulting in a DC/DC converter that requires a minimum amount of board space. The LMR10530 is internally compensated, therefore it is simple to use and requires few external components. The LMR10530 uses peak current-mode control to regulate the output voltage. The following description of operation of the LMR10530 will refer to the [Figure 30](#), to the waveforms in [Figure 20](#) and simplified block diagram in [Functional Block Diagram](#). The LMR10530 supplies a regulated output voltage by switching the internal PMOS power switch at a constant frequency and variable duty cycle. A switching cycle begins at the falling edge of the reset pulse generated by the internal oscillator. When this pulse goes low, the output control logic turns on the internal PMOS power switch. During this on-time, the SW pin voltage (V_{SW}) swings up to approximately V_{IN} , and the inductor current (I_L) increases with a linear slope. I_L is measured by the current sense amplifier, which generates an output proportional to the switch current. The sense signal is summed with the regulator's corrective ramp and compared to the error amplifier's output, which is proportional to the difference between the feedback voltage and V_{REF} . When the PWM comparator output goes high, the internal power switch turns off until the next switching cycle begins. During the switch off-time, the inductor current discharges through the catch diode D1, which forces the SW pin to swing below ground by the forward voltage (V_D) of the catch diode. The regulator loop adjusts the duty cycle (D) to maintain a constant output voltage.

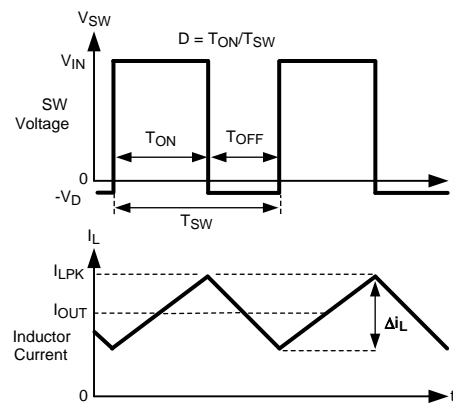
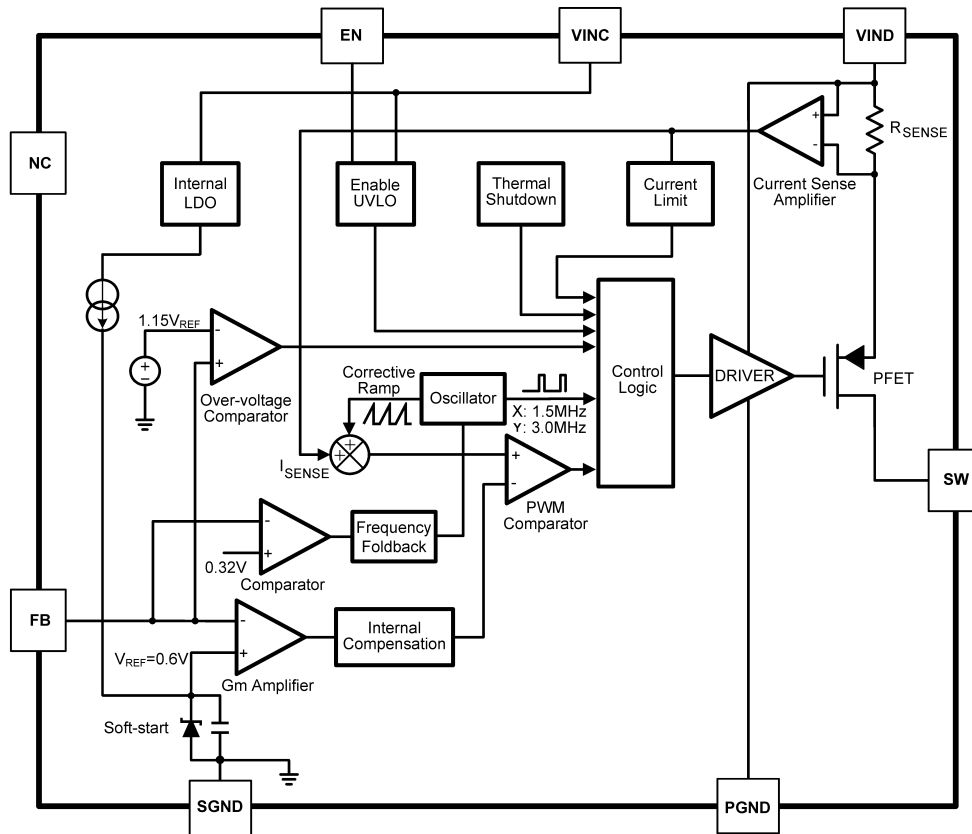


Figure 20. Typical Waveforms

7.2 Functional Block Diagram



7.3 Feature Description

7.3.1 Frequency Foldback

The LMR10530 uses frequency foldback to help limit switch current and power dissipation during start-up, short-circuit and over load conditions by sensing if the feedback voltage is below 0.32 V (typical). The LMR10530 reduces the switching frequency from the nominal fixed value (1.5 MHz or 3 MHz) down to 400 kHz (LMR10530X) or 800 kHz (LMR10530Y) when the feedback voltage drops to 0 V. See [Figure 11](#) plot in the [Typical Characteristics](#) section.

7.3.2 Load Step Response

The LMR10530 has a fixed internal loop compensation, which results in a small-signal loop bandwidth highly related to the output voltage level. In general, the loop bandwidth at low voltage is larger than at high voltage due to the increased overall loop gain. The limited bandwidth at high output voltage may pose a challenge when loop step response is concerned. In this case, one effective approach to improving loop step response is to add a feed-forward capacitor C_{FF} in the range of 27 nF to 100 nF in parallel with the upper feedback resistor (assuming the lower feedback resistor is 2 kΩ), as shown in [Figure 21](#). The feedforward capacitor introduces a zero-pole pair which helps compensate the loop. The position of the zero-pole pair is a function of the feedback resistors and capacitor:

$$\omega_z = \frac{1}{R1 \times C_{FF}} \text{ (rad/s)} \quad (1)$$

$$\omega_p = \frac{1}{R1 \times C_{FF}} \left(1 + \frac{R1}{R2}\right) \text{ (rad/s)} \quad (2)$$

Note the factor in parenthesis is the ratio of the output voltage to the feedback voltage. As the output voltage gets close to 0.6V, the pole moves towards the zero, tending to cancel it out. Consequently, adding C_{FF} will have less effect on the step response at lower output voltages.

As an example, [Figure 23](#) shows that at the output voltage of 3.3 V, 47 nF of C_{FF} can boost the loop bandwidth to 117kHz, from the original 23kHz as shown in [Figure 22](#). Correspondingly, the responses to a load step between 0.3 A and 3 A without and with C_{FF} are shown in [Figure 24](#) and [Figure 25](#) respectively. The higher loop bandwidth as a result of C_{FF} reduces the total output excursion by more than half.

Aside from the above approach, increasing the output capacitance is generally also effective to reduce the excursion in output voltage caused by a load step. This approach remains valid for applications where the desired output voltages are close to the feedback voltage.

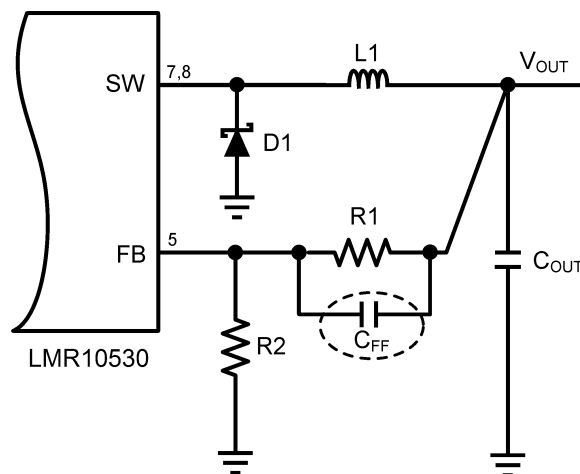


Figure 21. Adding a C_{FF} Capacitor

Feature Description (continued)

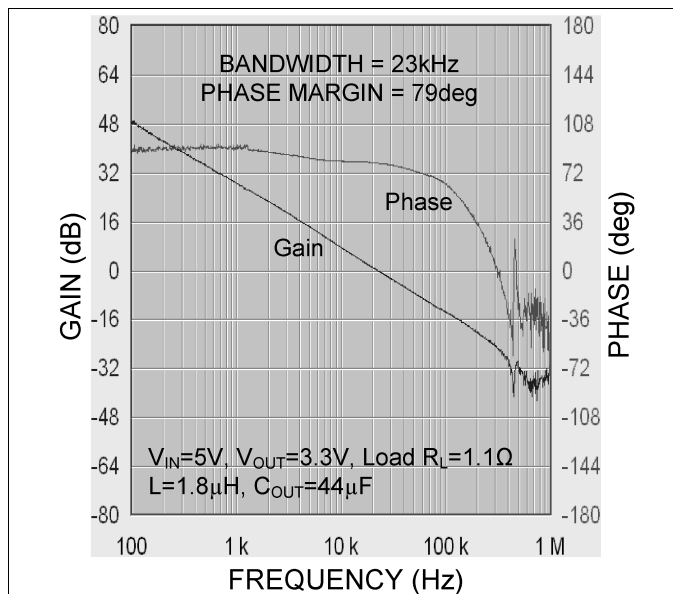


Figure 22. Loop Gain and Phase Without C_{FF}

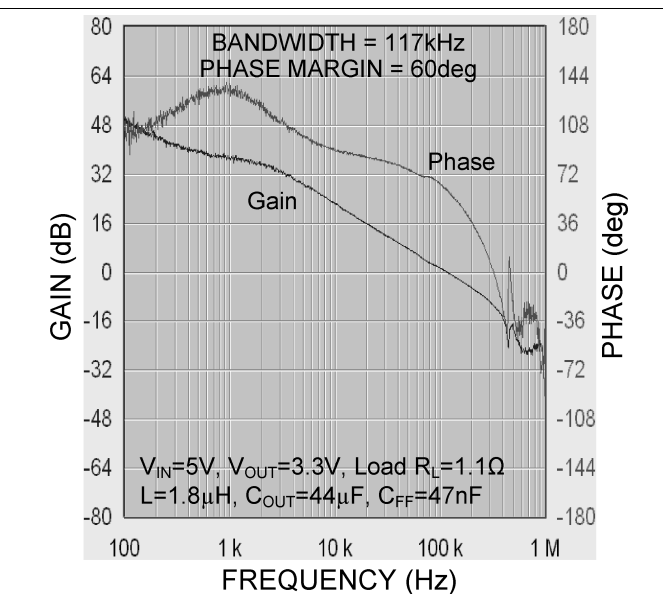


Figure 23. Loop Gain and Phase With C_{FF}

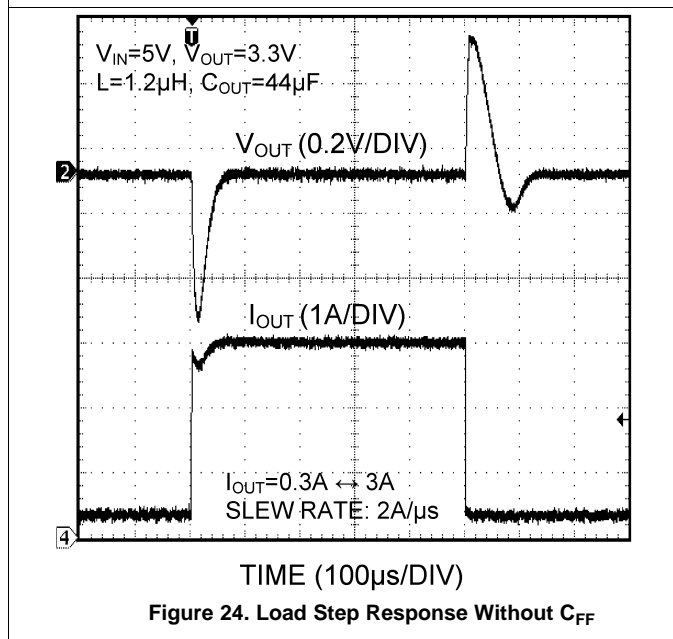


Figure 24. Load Step Response Without C_{FF}

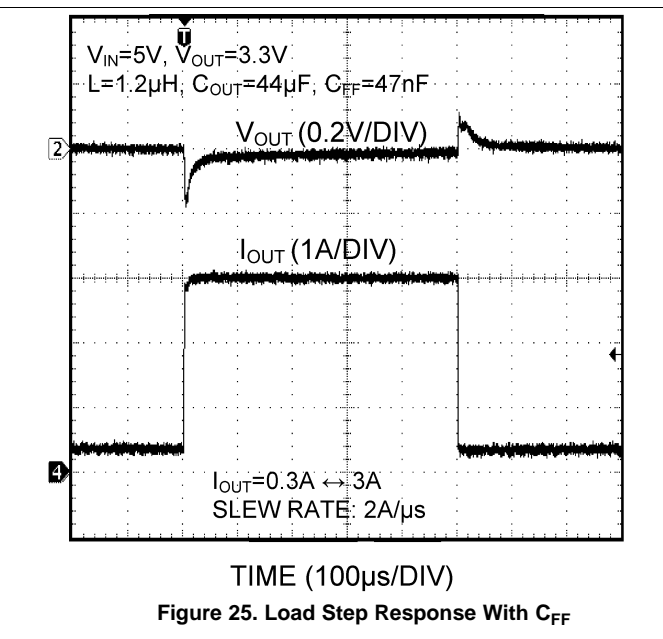


Figure 25. Load Step Response With C_{FF}

7.3.3 Output Overvoltage Protection

The LMR10530 has a builtin output overvoltage comparator that compares the FB pin voltage to a threshold voltage that is 15% higher than the internal reference V_{REF}. Once the FB pin voltage exceeds this threshold level (typically 0.69 V), the internal PMOS power switch is turned off, which allows the output voltage to decrease towards regulation.

7.3.4 Undervoltage Lockout

Undervoltage lockout (UVLO) prevents the LMR10530 from operating until the input voltage exceeds 2.7 V (typical). The UVLO threshold has approximately 350 mV of hysteresis, so the device operates until V_{IN} drops below 2.35 V (typical). Hysteresis prevents the part from turning off during power up if V_{IN} is non-monotonic.

Feature Description (continued)

7.3.5 Current Limit

The LMR10530 uses cycle-by-cycle current limiting to protect the internal power switch. During each switching cycle, a current limit comparator detects if the power switch current exceeds 4.4 A (typical), and turns off the switch until the next switching cycle begins.

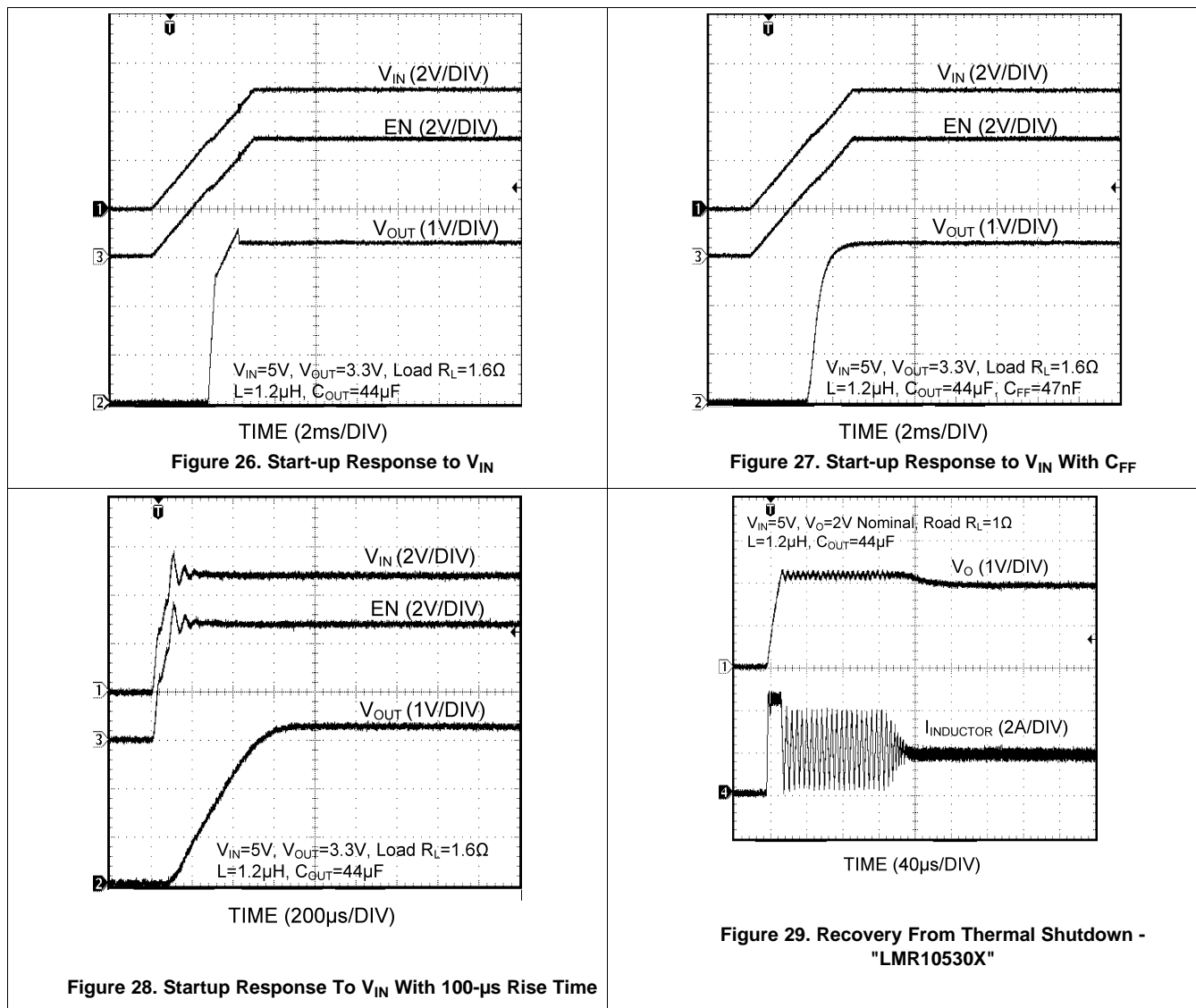
7.3.6 Soft Start/Shutdown

The LMR10530 has both enable and shutdown modes that are controlled by the EN pin. Connecting a voltage source greater than 1.8 V to the EN pin enables the operation of the LMR10530, while reducing this voltage below 0.4 V places the part in a low quiescent current (300 nA typical) shutdown mode. There is no internal pull-up on EN pin, therefore an external signal is required to initiate switching. Do not allow this pin to float or rise to 0.3 V above V_{IN} . It should be noted that when the EN pin voltage rises above 1.8 V while the input voltage is greater than UVLO, there is 15- μ s delay before switching starts. During this delay the LMR10530 goes through a power on reset state after which the internal soft-start process commences. During soft-start, the error amplifier's reference voltage ramps from 0V to its nominal value of 0.6 V in approximately 600 μ s. This forces the regulator output to ramp up in a controlled fashion, which helps reduce inrush current seen at the input and minimizes output voltage overshoot.

The simplest way to enable the operation of the LMR10530 is to connect the EN pin to V_{IN} which allows self start-up of the LMR10530 whenever the input voltage is applied. However, when an input voltage of slow rise time is used to power the application and if both the input voltage and the output voltage are not fully established before the soft-start time elapses, the control circuit commands maximum duty cycle operation of the internal power switch to bring up the output voltage rapidly. When the feedback pin voltage exceeds 0.6 V, the duty cycle will have to reduce from the maximum value accordingly, to maintain regulation. The reduction of duty cycle takes a finite amount of time and can result in a transient in output voltage for a short duration, as shown in [Figure 26](#). In applications where this output voltage overshoot is undesirable, one simple solution is to add a feed-forward capacitor (C_{FF}) across the top feedback resistor R1 to speed Gm Amplifier recovery. In practice, a 27-nF to 100-nF ceramic capacitor is usually a good choice to remove the overshoot completely or limit the overshoot to an insignificant level during startup, as shown in [Figure 27](#). Another more effective solution is to control EN pin voltage by a separate logic signal, and pull the signal high only after V_{IN} is fully established. In this way, the chip can execute a normal, complete soft start process, minimizing any output voltage overshoot. Under some circumstances at cold temperature, this approach may also be required to minimize any unwanted output voltage transients that may occur when the input voltage rises slowly. For a fast rising input voltage (100 μ s for example), there is no need to control EN separately or add a feedforward capacitor since the soft start can bring up output voltage smoothly as shown in [Figure 28](#).

During startup, the LMR10530 gradually increases the switching frequency from 400 kHz (LMR10530X) or 800 kHz (LMR10530Y) to the nominal fixed value, as the feedback voltage increases (see [Frequency Foldback](#) section for more information). Since the internal corrective ramp signal adjusts its slope dynamically, and is proportional to the switching frequency during startup, a larger output capacitance may be required to insure a smooth output voltage rise, at low programmed output voltage and high output load current.

Feature Description (continued)



7.3.7 Thermal Shutdown

Thermal shutdown limits total power dissipation by turning off the internal power switch when the IC junction temperature typically exceeds 165°C. After thermal shutdown occurs, the power switch does not turn on again until the junction temperature drops below approximately 150°C.

8 Application and Implementation

NOTE

Information in the following applications sections is not part of the TI component specification, and TI does not warrant its accuracy or completeness. TI's customers are responsible for determining suitability of components for their purposes. Customers should validate and test their design implementation to confirm system functionality.

8.1 Application Information

The LMR10530 regulator is a monolithic, high frequency, PWM step-down DC/DC converter available in a 10-pin WSON package. It contains all the active functions to provide local DC/DC conversion with fast transient response and accurate regulation in the smallest possible PCB area. With a minimum of external components, the LMR10530 is easy to use. Switching frequency is internally set to 1.5 MHz or 3 MHz, allowing the use of extremely small surface mount inductors and capacitors. Even though the operating frequency is high, efficiencies up to 93% are easy to achieve.

8.2 Typical Application

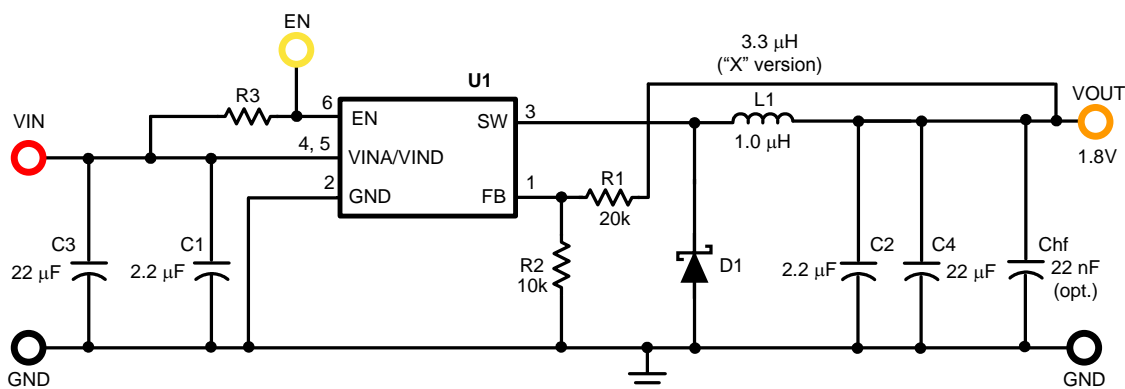


Figure 30. Typical Application Schematic

8.2.1 Detailed Design Procedure

8.2.1.1 Custom Design With WEBENCH® Tools

[Click here](#) to create a custom design using the LMR10530 device with the WEBENCH® Power Designer.

1. Start by entering the input voltage (V_{IN}), output voltage (V_{OUT}), and output current (I_{OUT}) requirements.
2. Optimize the design for key parameters such as efficiency, footprint, and cost using the optimizer dial.
3. Compare the generated design with other possible solutions from Texas Instruments.

The WEBENCH Power Designer provides a customized schematic along with a list of materials with real-time pricing and component availability.

In most cases, these actions are available:

- Run electrical simulations to see important waveforms and circuit performance
- Run thermal simulations to understand board thermal performance
- Export customized schematic and layout into popular CAD formats
- Print PDF reports for the design, and share the design with colleagues

Get more information about WEBENCH tools at www.ti.com/WBENCH.

Typical Application (continued)

8.2.1.2 Inductor Selection

The duty cycle (D) can be approximated quickly using the ratio of output voltage (V_{OUT}) to input voltage (V_{IN}):

$$D = \frac{V_{OUT}}{V_{IN}} \quad (3)$$

The catch diode (D1) forward voltage drop and the voltage drop across the internal PMOS must be included to calculate a more accurate duty cycle. Calculate D by using the following formula:

$$D = \frac{V_{OUT} + V_D}{V_{IN} + V_D - V_{SW}} \quad (4)$$

V_{SW} can be approximated by:

$$V_{SW} = I_{OUT} \times R_{DS(ON)}$$

where

- I_{OUT} is output load current. (5)

The diode forward drop (V_D) can range from 0.3 V to 0.7 V depending on the quality of the diode. The lower the V_D , the higher the operating efficiency of the converter.

The inductor value determines the output ripple current (Δi_L , as defined in). Lower inductor values decrease the size of the inductor, but increase the output ripple current. An increase in the inductor value decreases the output ripple current. In general, the ratio of ripple current to the output current is optimized when it is set between 0.2 and 0.4 for output currents above 2 A. This ratio r is defined as:

$$r = \frac{\Delta i_L}{I_{OUT}} \quad (6)$$

One must ensure that the minimum current limit (3.4 A) is not exceeded, so the peak current in the inductor must be calculated. The peak current (I_{LPK}) in the inductor is calculated by:

$$I_{LPK} = I_{OUT} + \Delta i_L / 2 \quad (7)$$

When the designed maximum output current is reduced, the ratio r can be increased. At a current of 0.1 A, r can be made as high as 0.9. The ripple ratio can be increased at lighter loads because the net ripple is actually quite low, and if r remains constant the inductor value can be made quite large. An equation empirically developed for the maximum ripple ratio at any current below 2 A is:

$$r = 0.387 \times I_{OUT}^{-0.3667} \quad (8)$$

Note that this is just a guideline, and it needs to be combined with two important factors for proper selection of inductance values at any operating condition. The first consideration is at output voltage above 2.5 V, one needs to ensure that the inductance given by the above guideline should not be less than 1 μ H for the LMR10530X or 0.5 μ H for the LMR10530Y. Because the LMR10530 has a fixed internal corrective ramp signal, a very low inductance value at high output voltage generates a very steep down slope of inductor current, which results in an insufficient slope compensation, and cause instability known as sub-harmonic oscillation. Another consideration is at low load current, one needs to ensure that the inductance value given by the guideline should not exceed 10 μ H for the LMR10530X and 4.7 μ H for the LMR10530Y, since too much inductance effectively flattens the down slope of the inductor current, and may significantly limit the system bandwidth and phase margin resulting in instability.

The LMR10530 operates at frequencies allowing the use of ceramic output capacitors without compromising transient response. Ceramic capacitors allow higher inductor ripple without significantly increasing output ripple. See the [Output Capacitor](#) section for more details on calculating output voltage ripple.

Now that the ripple current is determined, the inductance is calculated by:

$$L = \frac{V_{OUT} + V_D}{I_{OUT} \times r \times f_{SW}} \times (1-D)$$

where

- f_{SW} is the switching frequency. (9)

Typical Application (continued)

When selecting an inductor, make sure that it is capable of supporting the peak output current without saturating. Inductor saturation will result in a sudden reduction in inductance and prevent the regulator from operating properly. Because of the operating frequency of the LMR10530, ferrite based inductors are preferred to minimize core losses. This presents little restriction since the variety and availability of ferrite-based inductors is large. Lastly, inductors with lower series resistance (DCR) will provide better operating efficiency. For recommended inductor selection, refer to [Other System Examples](#).

8.2.1.3 Input Capacitor

An input capacitor is necessary to ensure that V_{IN} does not drop excessively during switching transients. The primary specifications of the input capacitor are capacitance, voltage rating, RMS current rating, and equivalent series inductance (ESL). The input voltage rating is specifically stated by the capacitor manufacturer. Make sure to check any recommended deratings and also verify if there is any significant change in capacitance at the operating input voltage and the operating temperature. The input capacitor maximum RMS input current rating (I_{RMS-IN}) must be greater than:

$$I_{RMS-IN} = I_{OUT} \times \sqrt{D \times \left(1 - D + \frac{r^2}{12}\right)} \quad (10)$$

Neglecting inductor ripple simplifies the above equation to:

$$I_{RMS-IN} = I_{OUT} \times \sqrt{D \times (1 - D)} \quad (11)$$

It can be shown from the above equation that maximum RMS capacitor current occurs when $D = 0.5$. Always calculate the RMS at the point where the duty cycle D is closest to 0.5. The ESL of an input capacitor is usually determined by the effective cross sectional area of the current path. As a rule of thumb, a large leaded capacitor will have high ESL and a 1206 ceramic chip capacitor will have very low ESL. At the operating frequencies of the LMR10530, leaded capacitors may have an ESL so large that the resulting impedance ($2\pi fL$) will be higher than that required to provide stable operation. TI strongly recommends using ceramic capacitors due to their low ESR and low ESL. A 22- μ F multilayer ceramic capacitor (MLCC) is a good choice for most applications. In cases where large capacitance is required, use surface mount capacitors such as Tantalum capacitors and place at least a 4.7- μ F ceramic capacitor close to the V_{IN} pin. For MLCCs TI recommends using X7R or X5R dielectrics. Consult capacitor manufacturer datasheet to see how rated capacitance varies over operating conditions.

8.2.1.4 Output Capacitor

The output capacitor is selected based upon the desired output ripple and transient response. The initial current of a load transient is provided mainly by the output capacitor. The output ripple of the converter is:

$$\Delta V_{OUT} = \Delta I_L \left(R_{ESR} + \frac{1}{8 \times f_{SW} \times C_{OUT}} \right) \quad (12)$$

When using MLCCs, the ESR is typically so low that the capacitive ripple may dominate. When this occurs, the output ripple will be approximately sinusoidal and 90° phase shifted from the switching action. Given the availability and quality of MLCCs and the expected output voltage of designs using the LMR10530, there is really no need to review any other capacitor technologies. Another benefit of ceramic capacitors is their ability to bypass high frequency noise. A certain amount of switching edge noise will couple through parasitic capacitances in the inductor to the output. A ceramic capacitor will bypass this noise while a tantalum will not. Since the output capacitor is one of the two external components that control the stability of the regulator control loop, most applications will require a minimum of 22- μ F output capacitance. In the case of low output voltage, a larger output capacitance is required to ensure sufficient phase margin. Capacitance can often, but not always, be increased significantly with little detriment to the regulator stability. Like the input capacitor, recommended multilayer ceramic capacitors are X7R or X5R types. Again, verify actual capacitance at the desired operating voltage and temperature. Check the RMS current rating of the capacitor. The maximum RMS current rating of the capacitor is:

$$I_{RMS-OUT} = I_{OUT} \times \frac{r}{\sqrt{12}} \quad (13)$$

One may select a 1206 size MLCC for output capacitor, since its current rating is typically above 1 A, more than enough for the requirement.

Typical Application (continued)

8.2.1.5 Catch Diode

The catch diode conducts during the switch off-time. TI recommends a Schottky diode for its fast switching time and low forward voltage drop. The catch diode should be chosen such that its current rating is greater than:

$$I_D = I_{OUT} \times (1-D) \quad (14)$$

The reverse breakdown rating of the diode must be at least the maximum input voltage plus appropriate margin. To improve efficiency, choose a Schottky diode with a low forward voltage drop.

8.2.1.6 Output Voltage

The output voltage is set using the following equation where R2 is connected between the FB pin and GND, and R1 is connected between V_{OUT} and the FB pin. A good value for R2 is 2 kΩ.

$$R1 = \left(\frac{V_{OUT}}{V_{REF}} - 1 \right) \times R2 \quad (15)$$

$$V_{REF} = 0.6 \text{ V} \quad (16)$$

8.2.1.7 Efficiency Estimation

The complete LMR10530 DC/DC converter efficiency can be calculated in the following manner:

$$\eta = \frac{P_{OUT}}{P_{IN}} \quad (17)$$

or

$$\eta = \frac{P_{OUT}}{P_{OUT} + P_{LOSS}} \quad (18)$$

Calculations for determining the most significant power losses are shown in the following examples. Other losses totaling less than 2% are not discussed.

The main power loss (P_{LOSS}) in the converter includes two basic types of losses: switching loss and conduction loss. In addition, there is loss associated with the power required for the internal circuitry of IC. Conduction losses usually dominate at higher output loads, whereas switching losses dominate at lower output loads. The first step in determining the losses is to calculate the duty cycle (D):

$$D = \frac{V_{OUT} + V_D}{V_{IN} + V_D - V_{SW}} \quad (19)$$

V_{SW} is the voltage drop across the internal power switch when it is on, and is equal to:

$$V_{SW} = I_{OUT} \times R_{DS(ON)} \quad (20)$$

V_D is the forward voltage drop across the catch diode. It can be obtained from the diode manufacturer's Electrical Characteristics section. If the DC voltage drop across the inductor (V_{DCR}) is accounted for, the equation becomes:

$$D = \frac{V_{OUT} + V_D + V_{DCR}}{V_{IN} + V_D - V_{SW}} \quad (21)$$

The conduction losses in the catch diode are calculated as follows:

$$P_{DIODE} = V_D \times I_{OUT} \times (1-D) \quad (22)$$

Often this is the single most significant power loss in the circuit. Take care to choose a Schottky diode with a low forward-voltage drop.

Another significant external power loss is the conduction loss in the output inductor. The equation can be simplified to:

$$P_{IND} = I_{OUT}^2 \times R_{DCR} \quad (23)$$

The LMR10530 conduction loss is mainly associated with the internal power switch:

Typical Application (continued)

$$P_{\text{COND}} = (I_{\text{OUT}}^2 \times D) \times \left(1 + \frac{1}{3} \times \left(\frac{\Delta i_L}{I_{\text{OUT}}} \right)^2 \right) \times R_{\text{DS(ON)}} \quad (24)$$

If the inductor ripple current is fairly small, the conduction losses can be simplified to:

$$P_{\text{COND}} = I_{\text{OUT}}^2 \times R_{\text{DS(ON)}} \times D \quad (25)$$

Switching losses are also associated with the internal power switch. They occur during the switch on and off transition periods, where voltages and currents overlap resulting in power loss. The simplest means to determine this loss is to empirically measuring the rise and fall times (10% to 90%) of the switch at the switch node.

Switching Power Loss is calculated as follows:

$$P_{\text{SWR}} = 0.5 \times (V_{\text{IN}} \times I_{\text{OUT}} \times f_{\text{SW}} \times T_{\text{RISE}}) \quad (26)$$

$$P_{\text{SWF}} = 0.5 \times (V_{\text{IN}} \times I_{\text{OUT}} \times f_{\text{SW}} \times T_{\text{FALL}}) \quad (27)$$

$$P_{\text{SW}} = P_{\text{SWR}} + P_{\text{SWF}} \quad (28)$$

The power loss required for operation of the internal circuitry is given by:

$$P_{\text{Q}} = I_{\text{Q}} \times V_{\text{IN}} \quad (29)$$

I_{Q} is the quiescent operating current, and is typically around 3.2 mA for the LMR10530X, and 4.3 mA for the LMR10530Y.

An example of efficiency calculation for a typical application is shown in [Table 1](#):

Table 1. Power Loss Tabulation

| CONDITIONS | | POWER LOSS | |
|---------------------------|---------------|--------------------|--------|
| V_{IN} | 5 V | | |
| V_{OUT} | 3.3 V | | |
| I_{OUT} | 3 A | P_{OUT} | 9.9 W |
| V_{D} | 0.33 V | P_{DIODE} | 277 mW |
| $R_{\text{DS(ON)}}$ | 56 m Ω | P_{COND} | 363 mW |
| f_{SW} | 1.5 MHz | | |
| T_{RISE} | 10 ns | P_{SW} | 225 mW |
| T_{FALL} | 10 ns | | |
| IND_{DCR} | 28 m Ω | P_{IND} | 252 mW |
| I_{Q} | 3.2 mA | P_{Q} | 16 mW |
| η | 89.7% | | |

D is calculated to be 0.72

$$P_{\text{LOSS}} = \Sigma (P_{\text{COND}} + P_{\text{SW}} + P_{\text{Q}} + P_{\text{IND}} + P_{\text{DIODE}}) \quad (30)$$

$$P_{\text{LOSS}} = 1.133\text{W} \quad (31)$$

8.2.2 Application Curve

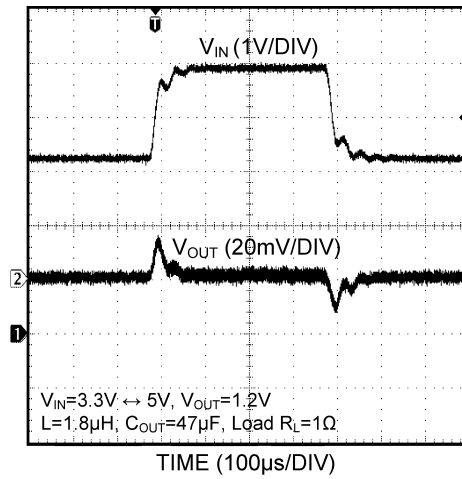


Figure 31. Line Transient Response - "LMR10530X"

LMR10530

SNVS814B –JUNE 2012–REVISED JUNE 2019

www.ti.com

8.2.3 Other System Examples

8.2.3.1 LMR10530X Design Example 1

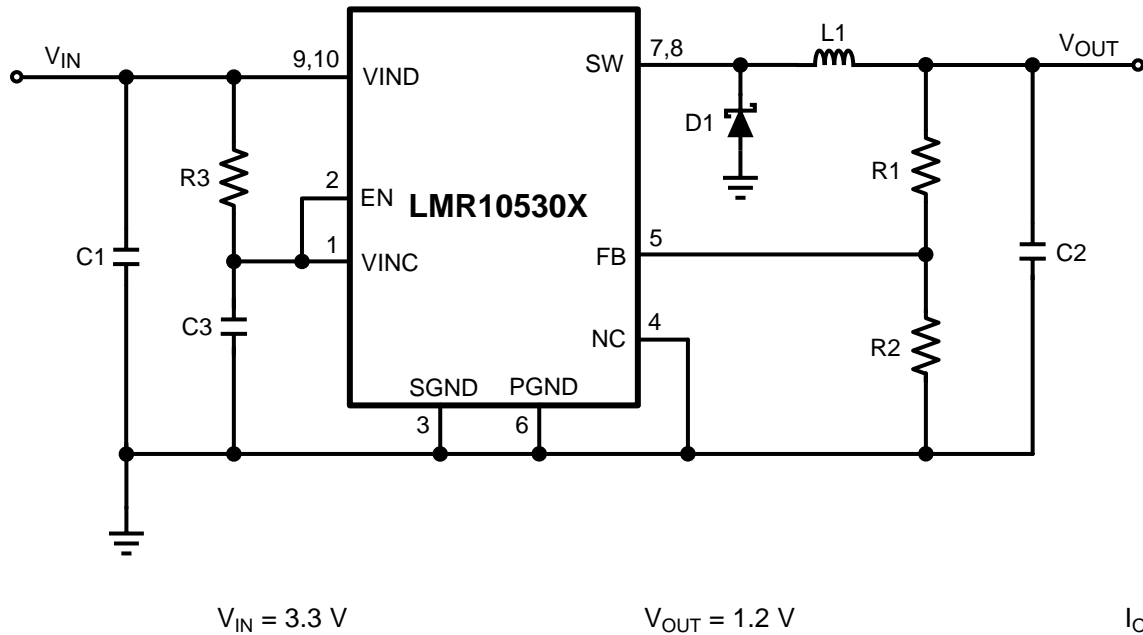
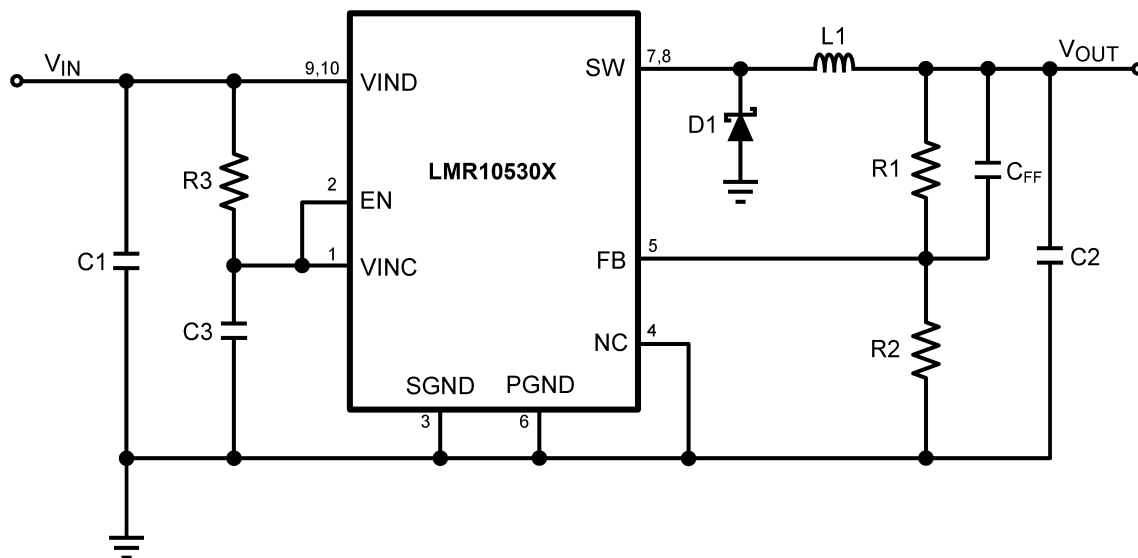


Figure 32. LMR10530X (1.5 MHz)

Table 2. Bill Of Materials

| DEVICE ID | DEVICE VALUE | MANUFACTURER | DEVICE NUMBER |
|----------------------|---------------------------------------|--------------|--------------------|
| U1 | 3-A buck regulator | TI | LMR10530X |
| C1, Input Capacitor | 22 μ F, 6.3 V, X5R | TDK | C3216X5R0J226M |
| C2, Output Capacitor | 47 μ F, 6.3 V, X5R | TDK | C3216X5R0J476M |
| C3, Bypass Capacitor | 0.22 μ F, 10 V, X7R | Murata | GRM216R71A224KC01D |
| D1, Catch Diode | Schottky, 0.33 V at 3 A, $V_R = 30$ V | Toshiba | CMS01 |
| L1 | 1.8 μ H, 3.6 A | TDK | LTF5022T-1R8N3R6 |
| R1 | 2 k Ω , 1% | Vishay | CRCW08052K00FKEA |
| R2 | 2 k Ω , 1% | Vishay | CRCW08052K00FKEA |
| R3 | 10 Ω , 1% | Vishay | CRCW080510R0FKEA |

8.2.3.2 LMR10530X Design Example 2



$V_{IN} = 5\text{ V}$

$V_{OUT} = 3.3\text{ V}$

$I_{OUT} = 3\text{ A}$

Figure 33. LMR10530X (1.5 MHz)

Table 3. Bill Of Materials

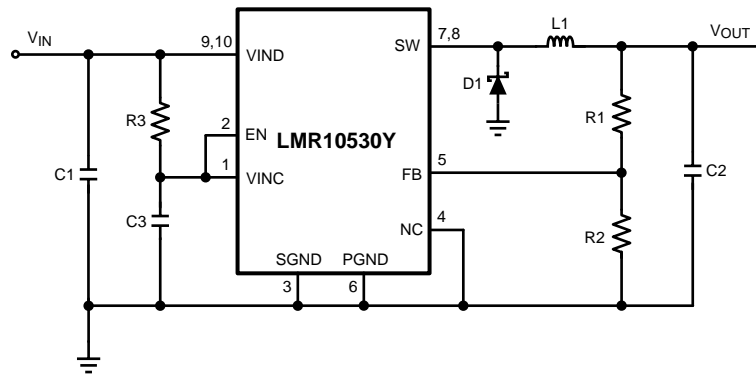
| DEVICE ID | DEVICE VALUE | MANUFACTURER | DEVICE NUMBER |
|-----------------------------------|--|--------------|--------------------|
| U1 | 3-A buck regulator | TI | LMR10530X |
| C1, Input Capacitor | 22 μF , 6.3 V, X5R | TDK | C3216X5R0J226M |
| C2, Output Cap | 47 μF , 6.3 V, X5R | TDK | C3216X5R0J476M |
| C3, Bypass Capacitor | 0.22 μF , 10 V, X7R | Murata | GRM216R71A224KC01D |
| C_{FF} , Feed-forward Capacitor | 47 nF, 10 V, X7R | AVX | 0805ZC473JAZ2A |
| D1, Catch Diode | Schottky, 0.43 V at 3 A, $V_R = 30\text{ V}$ | Vishay | SSA33L-E3/61T |
| L1 | 1.2 μH , 4.2 A | TDK | LTF5022T-1R2N4R2 |
| R1 | 10.2 k Ω , 1% | Vishay | CRCW080510K2FKEA |
| R2 | 2.26 k Ω , 1% | Vishay | CRCW08052K26FKEA |
| R3 | 10 Ω , 1% | Vishay | CRCW080510R0FKEA |

LMR10530

SNVS814B –JUNE 2012–REVISED JUNE 2019

www.ti.com

8.2.3.3 LMR10530Y Design Example 3



$$V_{IN} = 3.3 \text{ V}$$

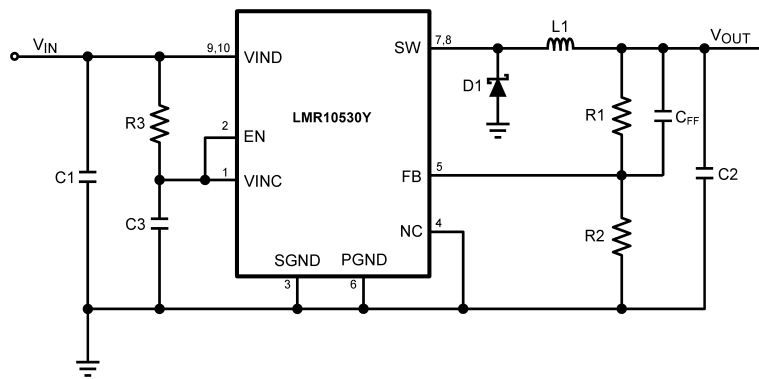
$$V_{OUT} = 1.2 \text{ V}$$

$$I_{OUT} = 3 \text{ A}$$

Figure 34. LMR10530Y (3 MHz)

Table 4. Bill Of Materials

| DEVICE ID | DEVICE VALUE | MANUFACTURER | DEVICE NUMBER |
|----------------------|---------------------------------------|--------------|--------------------|
| U1 | 3-A buck regulator | TI | LMR10530Y |
| C1, Input Capacitor | 22 μ F, 6.3 V, X5R | TDK | C3216X5R0J226M |
| C2, Output Capacitor | 47 μ F, 6.3 V, X5R | TDK | C3216X5R0J476M |
| C3, Bypass Capacitor | 0.22 μ F, 10 V, X7R | Murata | GRM216R71A224KC01D |
| D1, Catch Diode | Schottky, 0.33 V at 3 A, $V_R = 30$ V | Toshiba | CMS01 |
| L1 | 1 μ H, 4 A | Taiyo Yuden | NP04SZB1R0N |
| R1 | 2 k Ω , 1% | Vishay | CRCW08052K00FKEA |
| R2 | 2 k Ω , 1% | Vishay | CRCW08052K00FKEA |
| R3 | 10 Ω , 1% | Vishay | CRCW080510R0FKEA |

8.2.3.4 LMR10530Y Design Example 4


$V_{IN} = 5 \text{ V}$

$V_{OUT} = 3.3 \text{ V}$

$I_{OUT} = 3 \text{ A}$

Figure 35. LMR10530Y (3 MHz)
Table 5. Bill Of Materials

| DEVICE ID | DEVICE VALUE | MANUFACTURER | DEVICE NUMBER |
|---|--|--------------|--------------------|
| U1 | 3-A buck regulator | TI | LMR10530Y |
| C1, Input Capacitor | 22 μ F, 6.3 V, X5R | TDK | C3216X5R0J226M |
| C2, Output Capacitor | 47 μ F, 6.3 V, X5R | TDK | C3216X5R0J476M |
| C3, Bypass Capacitor | 0.22 μ F, 10 V, X7R | Murata | GRM216R71A224KC01D |
| C _{FF} , Feedforward Capacitor | 47 nF, 10 V, X7R | AVX | 0805ZC473JAZ2A |
| D1, Catch Diode | Schottky, 0.43 V at 3 A, V _R = 30 V | Vishay | SSA33L-E3/61T |
| L1 | 1 μ H, 4 A | Taiyo Yuden | NP04S2B1R0N |
| R1 | 10.2 k Ω , 1% | Vishay | CRCW080510K2FKEA |
| R2 | 2.26 k Ω , 1% | Vishay | CRCW08052K26FKEA |
| R3 | 10 Ω , 1% | Vishay | CRCW080510R0FKEA |

9 Layout

9.1 Layout Considerations

When planning layout there are a few things to consider to achieve a clean, regulated output. The most important consideration is the close coupling of the GND connections of the input capacitor C_{in} and the catch diode D1. These ground ends should be close to one another and be connected to the GND plane with at least two through-holes. Place these components as close to the IC as possible. The next consideration is the location of the GND connection of the output capacitor C_o , which should be near the GND connections of C1 and D1. There must be a continuous ground plane on the bottom layer of a two-layer board except under the switching node island. Tie the signal ground SGND (pin 3) and power ground PGND (pin 6) together and connected to ground plane through vias.

The FB pin is a high impedance node—take care to make the FB trace short to avoid noise pickup that causes inaccurate regulation. The feedback resistors must be placed as close as possible to the IC, with the GND of R_{fb} placed as close as possible to the SGND of the IC. Route the V_{OUT} trace to R_{fb1} away from the inductor and any other traces that are switching.

High AC currents flow through the V_{IN} , SW, and V_{OUT} traces, so they must be as short and wide as possible. Radiated noise can be decreased by choosing a shielded inductor.

Place the remaining components as close as possible to the IC. See [Application Note AN-2280](#) for further considerations and the LMR10530 demo board as an example of a four-layer layout.

10 Device and Documentation Support

10.1 Device Support

10.1.1 Third-Party Products Disclaimer

TI'S PUBLICATION OF INFORMATION REGARDING THIRD-PARTY PRODUCTS OR SERVICES DOES NOT CONSTITUTE AN ENDORSEMENT REGARDING THE SUITABILITY OF SUCH PRODUCTS OR SERVICES OR A WARRANTY, REPRESENTATION OR ENDORSEMENT OF SUCH PRODUCTS OR SERVICES, EITHER ALONE OR IN COMBINATION WITH ANY TI PRODUCT OR SERVICE.

10.1.2 Development Support

10.1.2.1 Custom Design With WEBENCH® Tools

[Click here](#) to create a custom design using the LMR10530 device with the WEBENCH® Power Designer.

1. Start by entering the input voltage (V_{IN}), output voltage (V_{OUT}), and output current (I_{OUT}) requirements.
2. Optimize the design for key parameters such as efficiency, footprint, and cost using the optimizer dial.
3. Compare the generated design with other possible solutions from Texas Instruments.

The WEBENCH Power Designer provides a customized schematic along with a list of materials with real-time pricing and component availability.

In most cases, these actions are available:

- Run electrical simulations to see important waveforms and circuit performance
- Run thermal simulations to understand board thermal performance
- Export customized schematic and layout into popular CAD formats
- Print PDF reports for the design, and share the design with colleagues

Get more information about WEBENCH tools at www.ti.com/WEBENCH.

10.2 Receiving Notification of Documentation Updates

To receive notification of documentation updates, navigate to the device product folder on ti.com. In the upper right corner, click on *Alert me* to register and receive a weekly digest of any product information that has changed. For change details, review the revision history included in any revised document.

10.3 Community Resources

The following links connect to TI community resources. Linked contents are provided "AS IS" by the respective contributors. They do not constitute TI specifications and do not necessarily reflect TI's views; see TI's [Terms of Use](#).

TI E2E™ Online Community *TI's Engineer-to-Engineer (E2E) Community*. Created to foster collaboration among engineers. At e2e.ti.com, you can ask questions, share knowledge, explore ideas and help solve problems with fellow engineers.

Design Support *TI's Design Support* Quickly find helpful E2E forums along with design support tools and contact information for technical support.

10.4 Trademarks

E2E is a trademark of Texas Instruments.

WEBENCH is a registered trademark of Texas Instruments.

All other trademarks are the property of their respective owners.

10.5 Electrostatic Discharge Caution



This integrated circuit can be damaged by ESD. Texas Instruments recommends that all integrated circuits be handled with appropriate precautions. Failure to observe proper handling and installation procedures can cause damage.

ESD damage can range from subtle performance degradation to complete device failure. Precision integrated circuits may be more susceptible to damage because very small parametric changes could cause the device not to meet its published specifications.

10.6 Glossary

[SLYZ022](#) — *TI Glossary*.

This glossary lists and explains terms, acronyms, and definitions.

11 Mechanical, Packaging, and Orderable Information

The following pages include mechanical, packaging, and orderable information. This information is the most current data available for the designated devices. This data is subject to change without notice and revision of this document. For browser-based versions of this data sheet, refer to the left-hand navigation.

PACKAGING INFORMATION

| Orderable Device | Status (1) | Package Type | Package Drawing | Pins | Package Qty | Eco Plan (2) | Lead/Ball Finish (6) | MSL Peak Temp (3) | Op Temp (°C) | Device Marking (4/5) | Samples |
|-------------------|---------------|--------------|-----------------|------|-------------|-------------------------|-------------------------|----------------------|--------------|-------------------------|-------------------------|
| LMR10530XSD/NOPB | ACTIVE | WSO | DSC | 10 | 1000 | Green (RoHS & no Sb/Br) | SN | Level-1-260C-UNLIM | -40 to 125 | L287B | Samples |
| LMR10530XSDX/NOPB | ACTIVE | WSO | DSC | 10 | 4500 | Green (RoHS & no Sb/Br) | SN | Level-1-260C-UNLIM | -40 to 125 | L287B | Samples |
| LMR10530YSD/NOPB | ACTIVE | WSO | DSC | 10 | 1000 | Green (RoHS & no Sb/Br) | SN | Level-1-260C-UNLIM | -40 to 125 | L286B | Samples |
| LMR10530YSDX/NOPB | ACTIVE | WSO | DSC | 10 | 4500 | Green (RoHS & no Sb/Br) | SN | Level-1-260C-UNLIM | -40 to 125 | L286B | Samples |

(1) The marketing status values are defined as follows:

ACTIVE: Product device recommended for new designs.

LIFEBUY: TI has announced that the device will be discontinued, and a lifetime-buy period is in effect.

NRND: Not recommended for new designs. Device is in production to support existing customers, but TI does not recommend using this part in a new design.

PREVIEW: Device has been announced but is not in production. Samples may or may not be available.

OBSELETE: TI has discontinued the production of the device.

(2) **RoHS:** TI defines "RoHS" to mean semiconductor products that are compliant with the current EU RoHS requirements for all 10 RoHS substances, including the requirement that RoHS substance do not exceed 0.1% by weight in homogeneous materials. Where designed to be soldered at high temperatures, "RoHS" products are suitable for use in specified lead-free processes. TI may reference these types of products as "Pb-Free".

RoHS Exempt: TI defines "RoHS Exempt" to mean products that contain lead but are compliant with EU RoHS pursuant to a specific EU RoHS exemption.

Green: TI defines "Green" to mean the content of Chlorine (Cl) and Bromine (Br) based flame retardants meet JS709B low halogen requirements of <=1000ppm threshold. Antimony trioxide based flame retardants must also meet the <=1000ppm threshold requirement.

(3) MSL, Peak Temp. - The Moisture Sensitivity Level rating according to the JEDEC industry standard classifications, and peak solder temperature.

(4) There may be additional marking, which relates to the logo, the lot trace code information, or the environmental category on the device.

(5) Multiple Device Markings will be inside parentheses. Only one Device Marking contained in parentheses and separated by a "-" will appear on a device. If a line is indented then it is a continuation of the previous line and the two combined represent the entire Device Marking for that device.

(6) Lead/Ball Finish - Orderable Devices may have multiple material finish options. Finish options are separated by a vertical ruled line. Lead/Ball Finish values may wrap to two lines if the finish value exceeds the maximum column width.

Important Information and Disclaimer:The information provided on this page represents TI's knowledge and belief as of the date that it is provided. TI bases its knowledge and belief on information provided by third parties, and makes no representation or warranty as to the accuracy of such information. Efforts are underway to better integrate information from third parties. TI has taken and

continues to take reasonable steps to provide representative and accurate information but may not have conducted destructive testing or chemical analysis on incoming materials and chemicals. TI and TI suppliers consider certain information to be proprietary, and thus CAS numbers and other limited information may not be available for release.

In no event shall TI's liability arising out of such information exceed the total purchase price of the TI part(s) at issue in this document sold by TI to Customer on an annual basis.

TAPE AND REEL INFORMATION

QUADRANT ASSIGNMENTS FOR PIN 1 ORIENTATION IN TAPE


*All dimensions are nominal

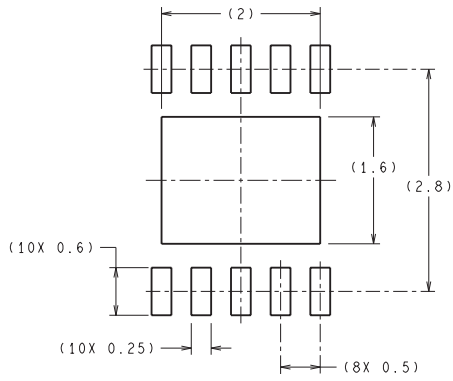
| Device | Package Type | Package Drawing | Pins | SPQ | Reel Diameter (mm) | Reel Width W1 (mm) | A0 (mm) | B0 (mm) | K0 (mm) | P1 (mm) | W (mm) | Pin1 Quadrant |
|-------------------|--------------|-----------------|------|------|--------------------|--------------------|---------|---------|---------|---------|--------|---------------|
| LMR10530XSD/NOPB | WSON | DSC | 10 | 1000 | 178.0 | 12.4 | 3.3 | 3.3 | 1.0 | 8.0 | 12.0 | Q1 |
| LMR10530XSDX/NOPB | WSON | DSC | 10 | 4500 | 330.0 | 12.4 | 3.3 | 3.3 | 1.0 | 8.0 | 12.0 | Q1 |
| LMR10530YSD/NOPB | WSON | DSC | 10 | 1000 | 178.0 | 12.4 | 3.3 | 3.3 | 1.0 | 8.0 | 12.0 | Q1 |
| LMR10530YSDX/NOPB | WSON | DSC | 10 | 4500 | 330.0 | 12.4 | 3.3 | 3.3 | 1.0 | 8.0 | 12.0 | Q1 |

TAPE AND REEL BOX DIMENSIONS

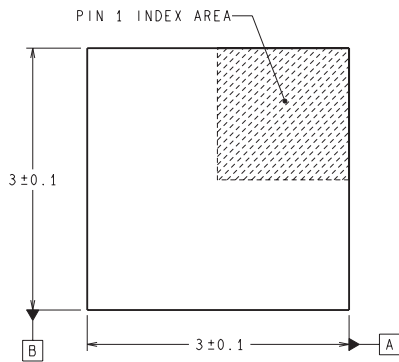

*All dimensions are nominal

| Device | Package Type | Package Drawing | Pins | SPQ | Length (mm) | Width (mm) | Height (mm) |
|-------------------|--------------|-----------------|------|------|-------------|------------|-------------|
| LMR10530XSD/NOPB | WSON | DSC | 10 | 1000 | 210.0 | 185.0 | 35.0 |
| LMR10530XSDX/NOPB | WSON | DSC | 10 | 4500 | 367.0 | 367.0 | 35.0 |
| LMR10530YSD/NOPB | WSON | DSC | 10 | 1000 | 210.0 | 185.0 | 35.0 |
| LMR10530YSDX/NOPB | WSON | DSC | 10 | 4500 | 367.0 | 367.0 | 35.0 |

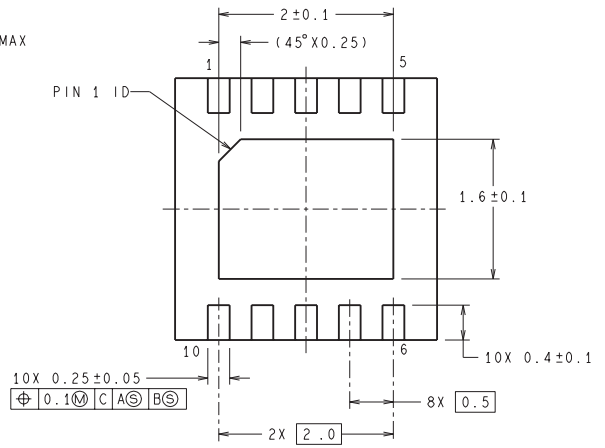
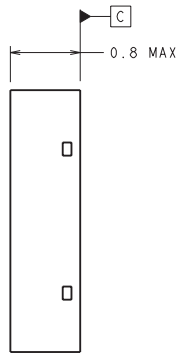
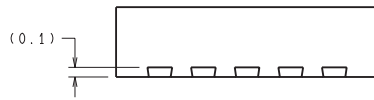
DSC0010A



RECOMMENDED LAND PATTERN



DIMENSIONS ARE IN MILLIMETERS
DIMENSIONS IN () FOR REFERENCE ONLY



SDA10A (Rev A)

IMPORTANT NOTICE AND DISCLAIMER

TI PROVIDES TECHNICAL AND RELIABILITY DATA (INCLUDING DATASHEETS), DESIGN RESOURCES (INCLUDING REFERENCE DESIGNS), APPLICATION OR OTHER DESIGN ADVICE, WEB TOOLS, SAFETY INFORMATION, AND OTHER RESOURCES "AS IS" AND WITH ALL FAULTS, AND DISCLAIMS ALL WARRANTIES, EXPRESS AND IMPLIED, INCLUDING WITHOUT LIMITATION ANY IMPLIED WARRANTIES OF MERCHANTABILITY, FITNESS FOR A PARTICULAR PURPOSE OR NON-INFRINGEMENT OF THIRD PARTY INTELLECTUAL PROPERTY RIGHTS.

These resources are intended for skilled developers designing with TI products. You are solely responsible for (1) selecting the appropriate TI products for your application, (2) designing, validating and testing your application, and (3) ensuring your application meets applicable standards, and any other safety, security, or other requirements. These resources are subject to change without notice. TI grants you permission to use these resources only for development of an application that uses the TI products described in the resource. Other reproduction and display of these resources is prohibited. No license is granted to any other TI intellectual property right or to any third party intellectual property right. TI disclaims responsibility for, and you will fully indemnify TI and its representatives against, any claims, damages, costs, losses, and liabilities arising out of your use of these resources.

TI's products are provided subject to TI's Terms of Sale (www.ti.com/legal/termsofsale.html) or other applicable terms available either on ti.com or provided in conjunction with such TI products. TI's provision of these resources does not expand or otherwise alter TI's applicable warranties or warranty disclaimers for TI products.

Mailing Address: Texas Instruments, Post Office Box 655303, Dallas, Texas 75265
Copyright © 2020, Texas Instruments Incorporated