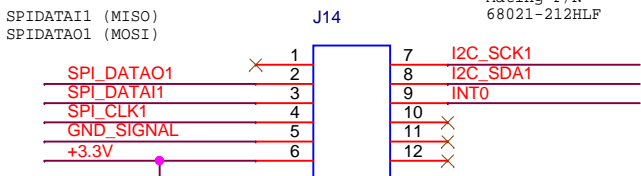
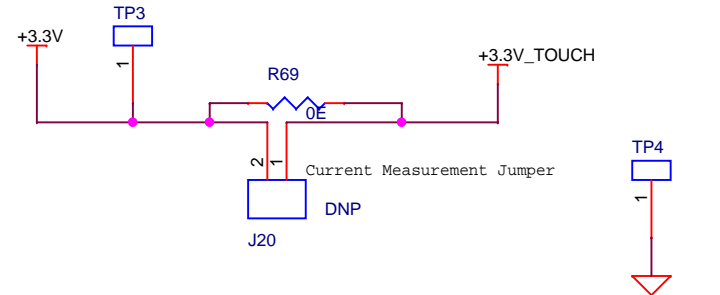
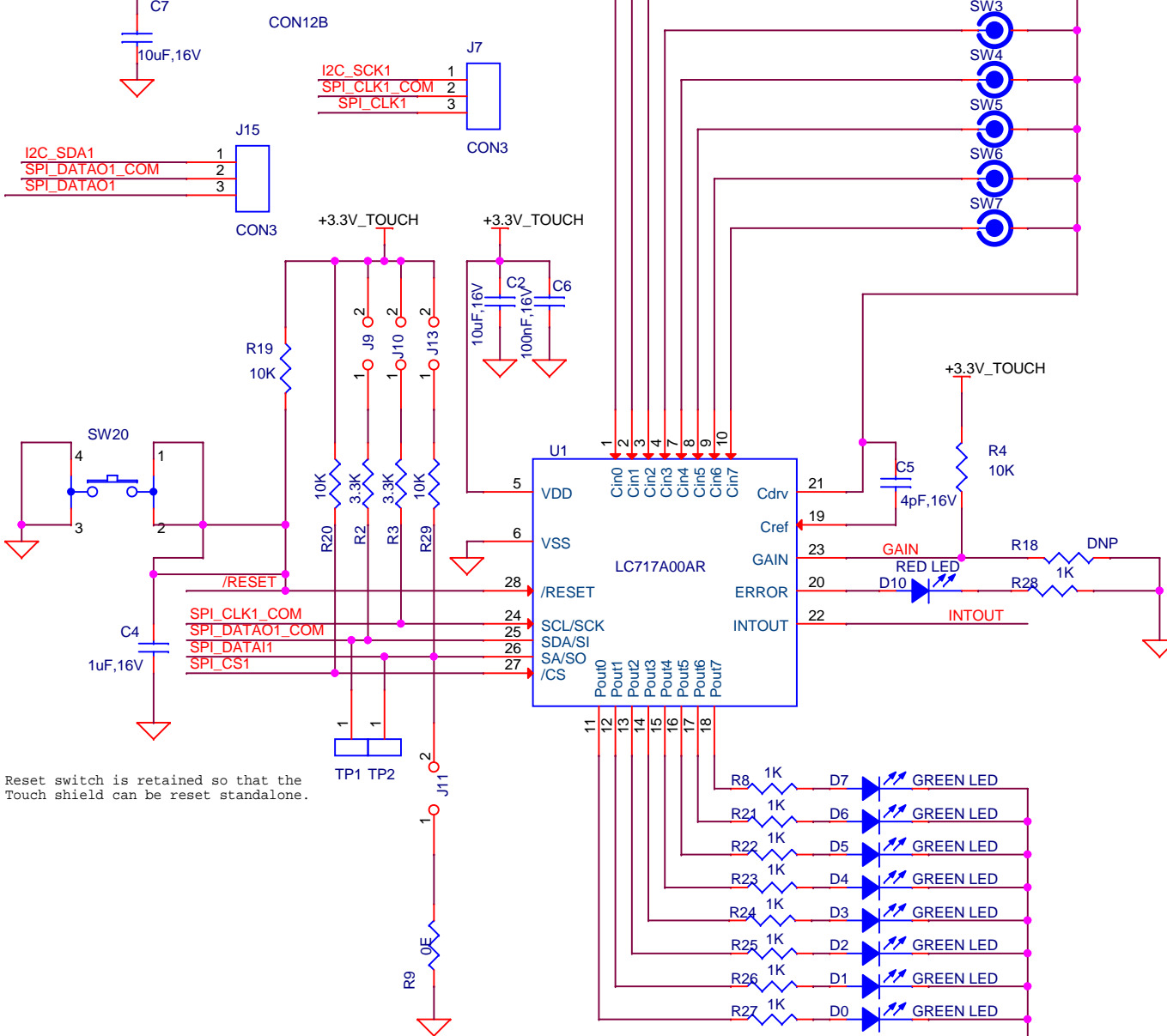


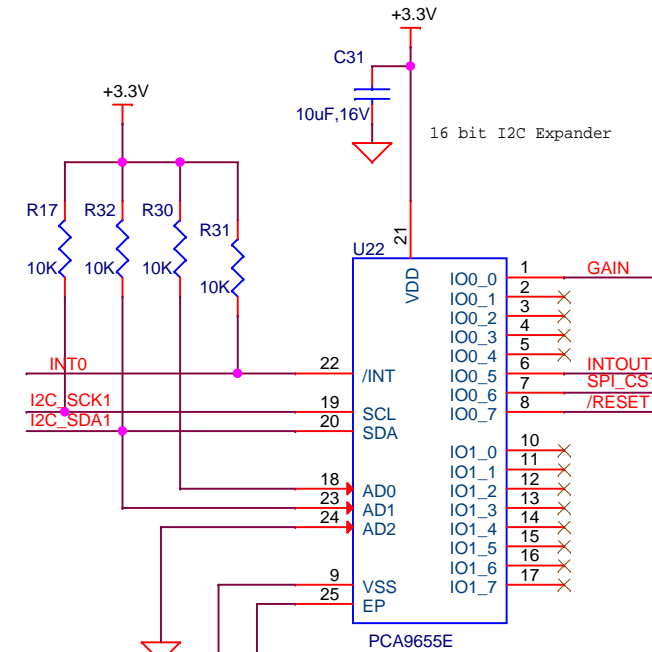
PMOD Connector



Touch shield



I2C Slave Address 26H



If I2C to be used , Use secondary I2C of base board , So that Primary I2C is available for Arduino Shield

To test with 1K later change to 390E

PMOD Touch Shield		
Title		
IDK		
Size A4	Document Number <Doc>	Rev <A>
Date: Thursday, December 01, 2016	Sheet 1	of 1