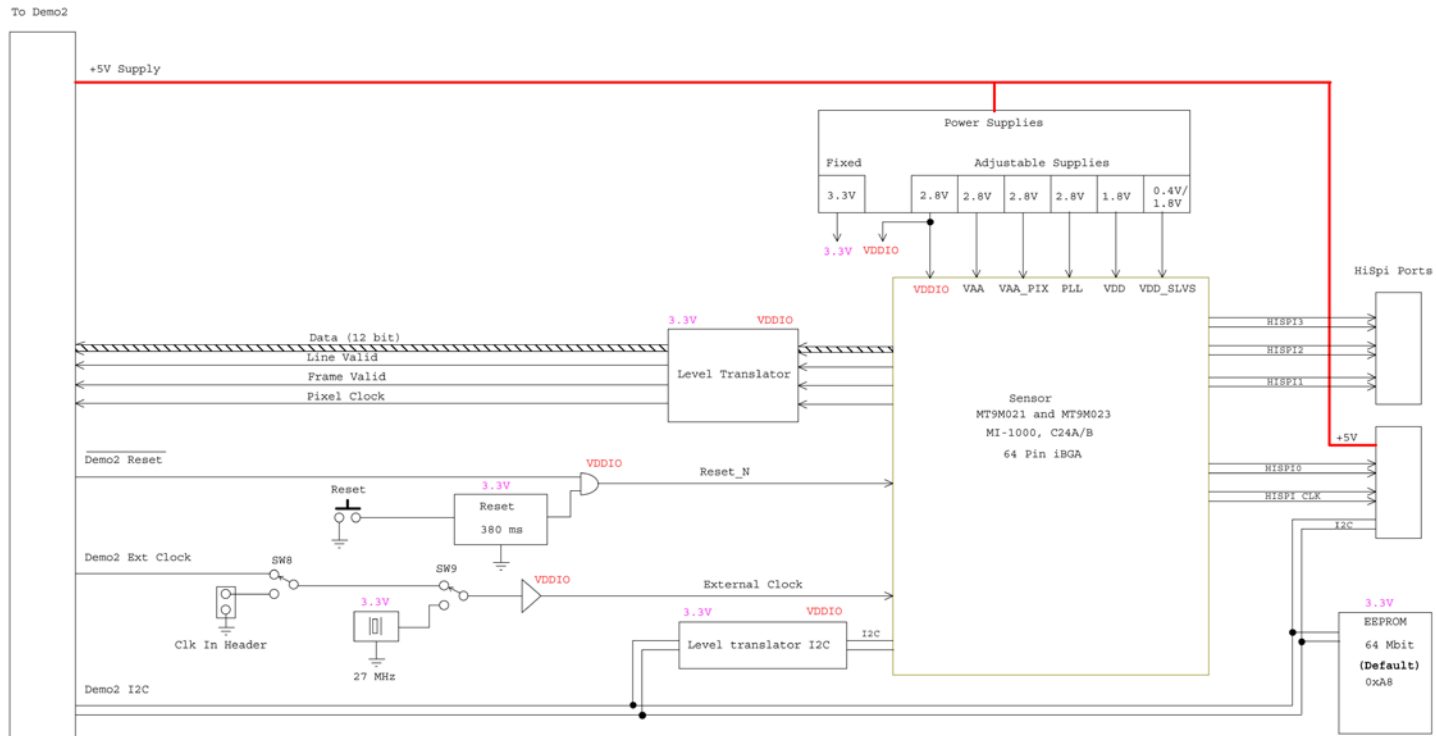
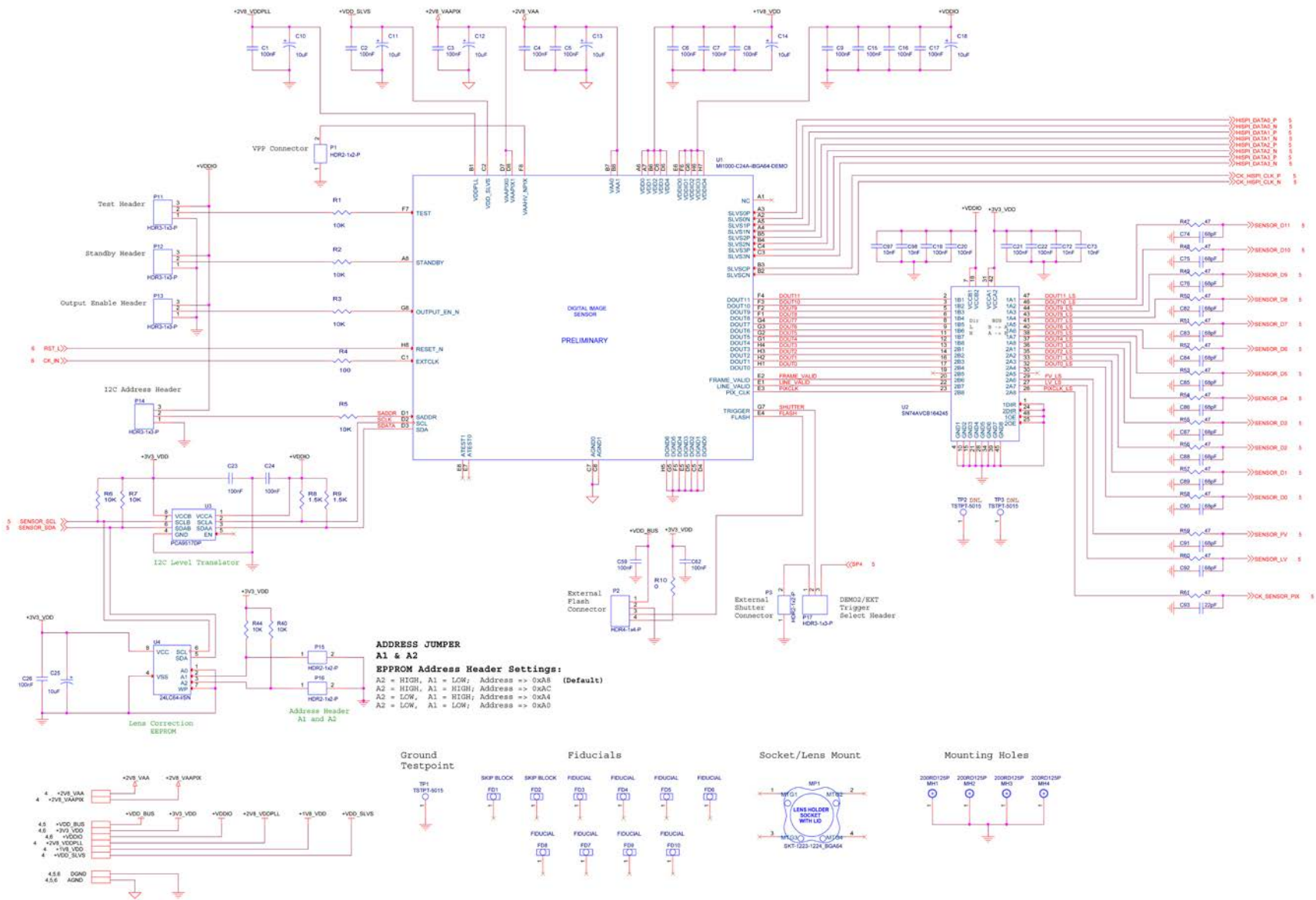


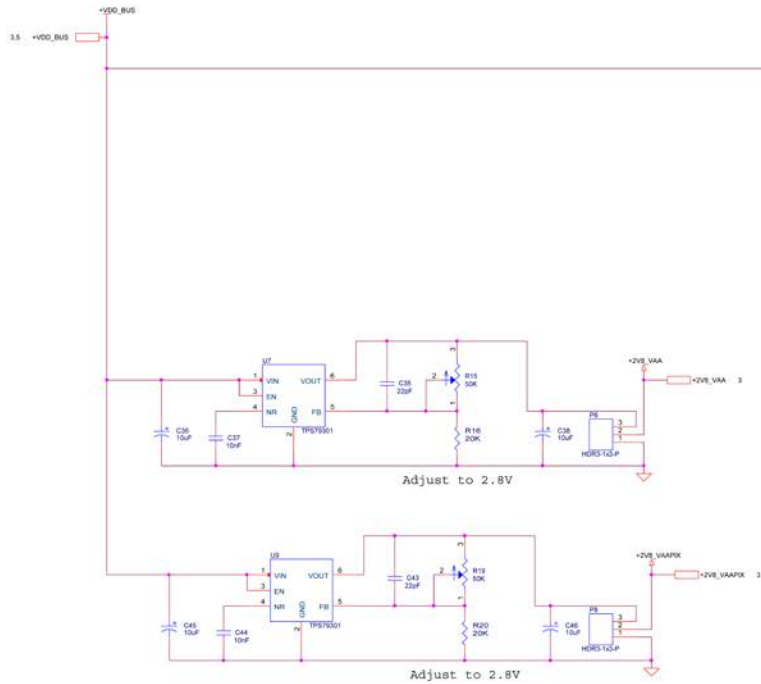
Schematic for the AR0132AT6G00XPEAH3-GEVB Evaluation Board

Block Diagram - MT9M021 IBGA and MT9M023 IBGA





Analog



Digital

