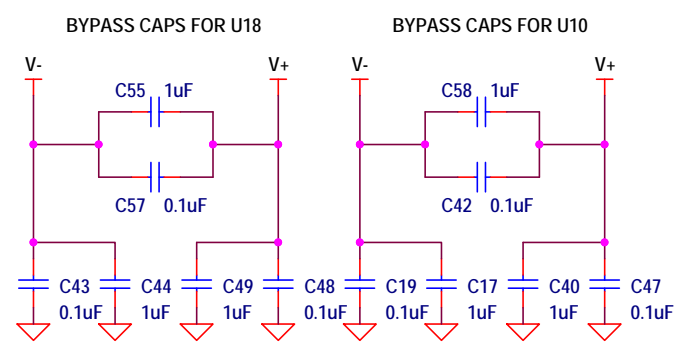


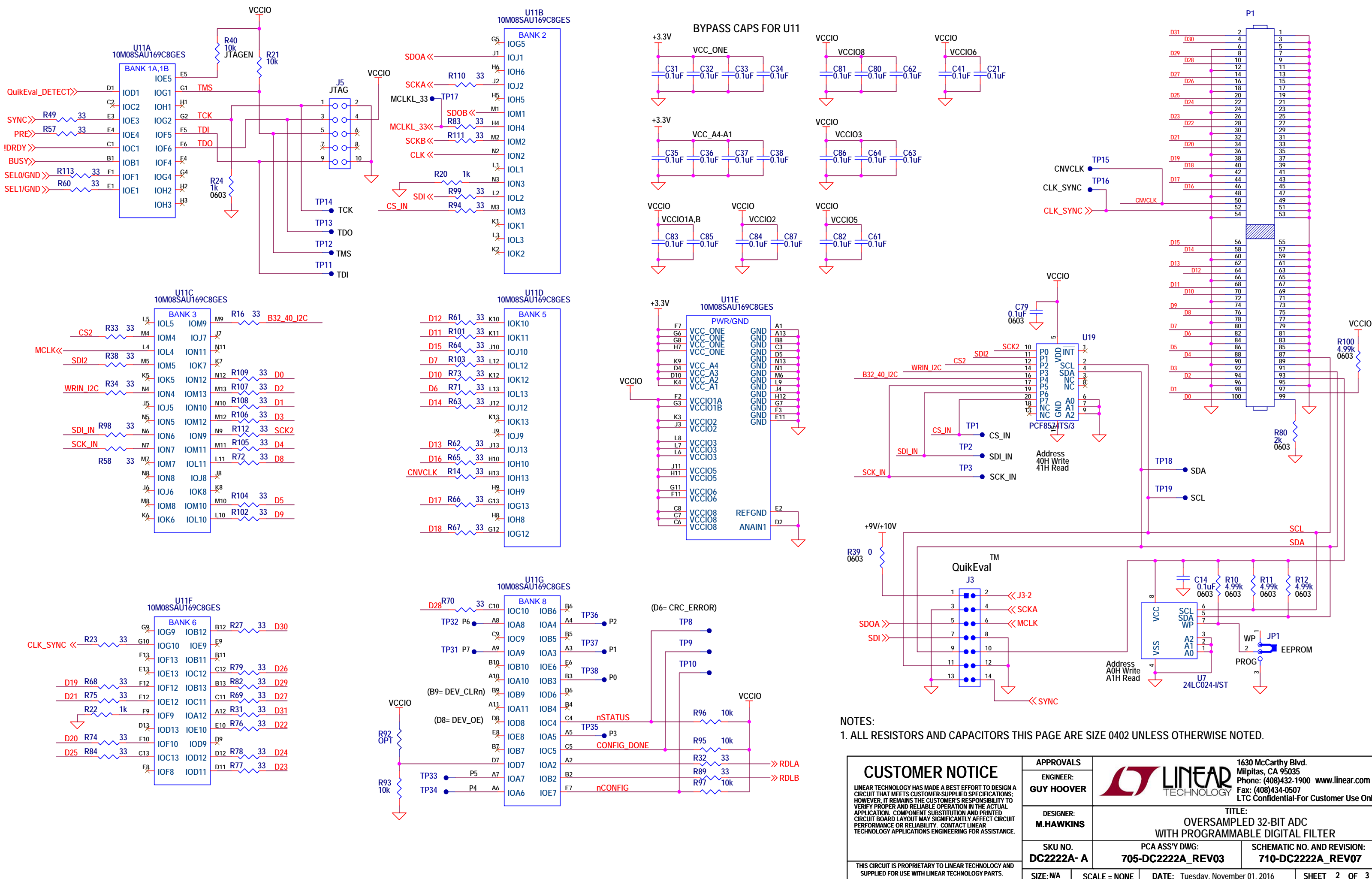
**\* ASSEMBLY OPTIONS**

| LTC SKU#  | U1 USED         | BITS | fs max (ksps) | PIN 10 | PIN 11 | PIN 12 | PIN 16 |
|-----------|-----------------|------|---------------|--------|--------|--------|--------|
| DC2222A-A | LTC2500-IDKD-32 | 32   | 1000          | PRE    | GND    | GND    | SDI    |
| DC2222A-B | LTC2508-IDKD-32 | 32   | 3.9           | REF    | SEL0   | SEL1   | GND    |
| DC2222A-C | LTC2512-IDKD-24 | 24   | 400           | REF    | SEL0   | SEL1   | GND    |



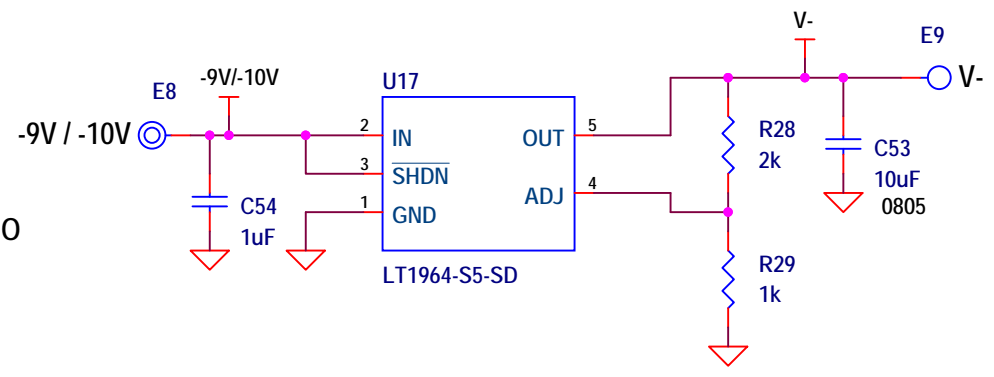
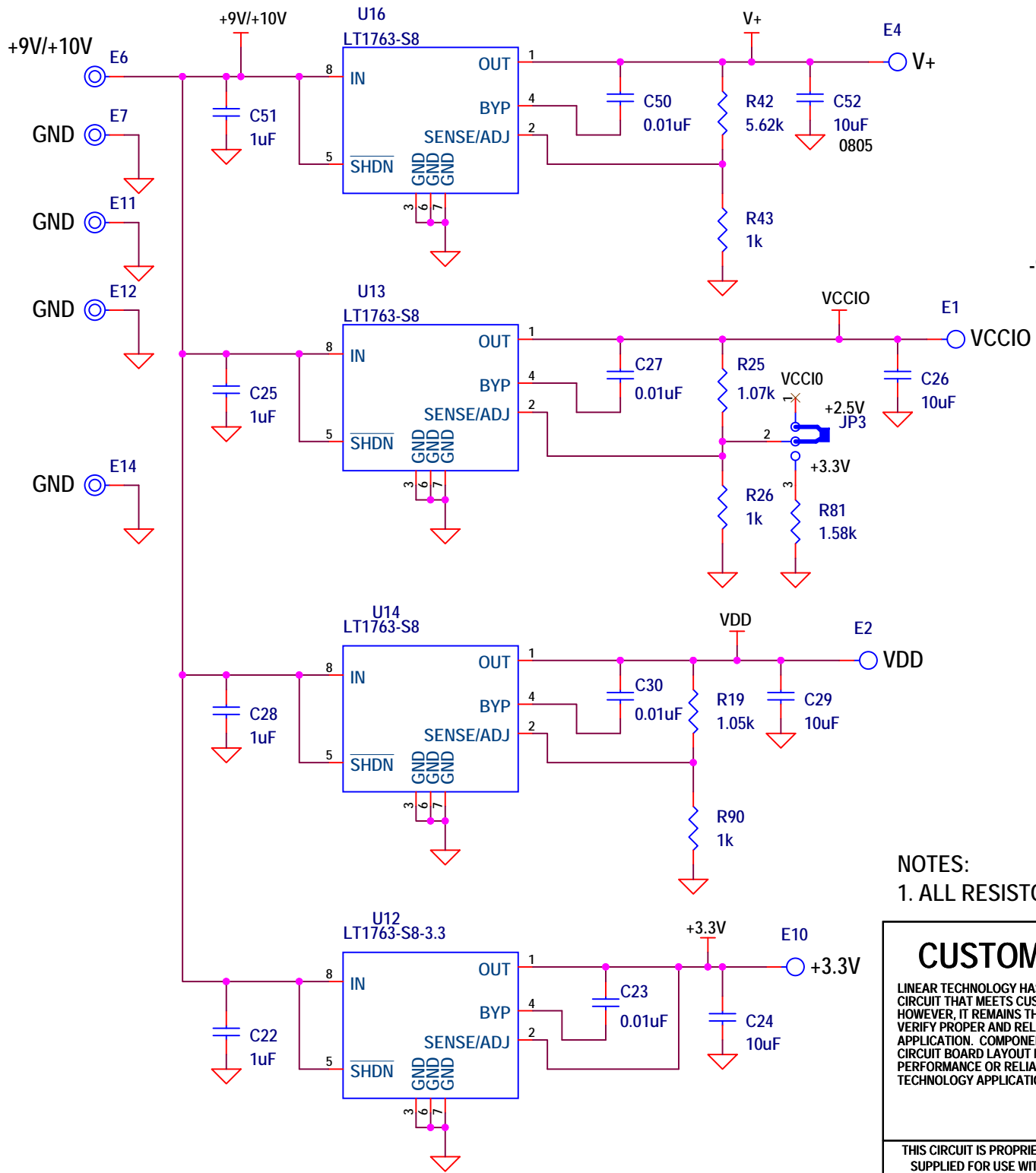
**NOTES:**  
 1. ALL RESISTORS AND CAPACITORS THIS PAGE ARE SIZE 0603 UNLESS OTHERWISE NOTED.

|  |   |   |  |
|--|---|---|--|
| <p><b>CUSTOMER NOTICE</b></p> <p>LINEAR TECHNOLOGY HAS MADE A BEST EFFORT TO DESIGN A CIRCUIT THAT MEETS CUSTOMER-SUPPLIED SPECIFICATIONS; HOWEVER, IT REMAINS THE CUSTOMER'S RESPONSIBILITY TO VERIFY PROPER AND RELIABLE OPERATION IN THE ACTUAL APPLICATION. COMPONENT SUBSTITUTION AND PRINTED CIRCUIT BOARD LAYOUT MAY SIGNIFICANTLY AFFECT CIRCUIT PERFORMANCE OR RELIABILITY. CONTACT LINEAR TECHNOLOGY APPLICATIONS ENGINEERING FOR ASSISTANCE.</p> <p>THIS CIRCUIT IS PROPRIETARY TO LINEAR TECHNOLOGY AND SUPPLIED FOR USE WITH LINEAR TECHNOLOGY PARTS.</p> | <p>APPROVALS</p> <p>ENGINEER:<br/><b>GUY HOOVER</b></p> | <p>1630 McCarthy Blvd.<br/>         Milpitas, CA 95035<br/>         Phone: (408)432-1900 www.linear.com<br/>         Fax: (408)434-0507<br/>         LTC Confidential-For Customer Use Only</p> |  |
|  | <p>DESIGNER:<br/><b>M.HAWKINS</b></p>                   |   | <p>TITLE:<br/> <b>OVERSAMPLED 32-BIT ADC<br/>         WITH PROGRAMMABLE DIGITAL FILTER</b></p> |
|  | <p>SKU NO.<br/><b>DC2222A-A</b></p>                     | <p>PCA ASS'Y DWG:<br/><b>705-DC2222A_REV03</b></p>  | <p>SCHEMATIC NO. AND REVISION:<br/><b>710-DC2222A_REV07</b></p>                                |
|  | <p>SIZE: N/A</p>  | <p>SCALE = NONE</p>   | <p>DATE: Tuesday, November 01, 2016</p>  |



NOTES:  
 1. ALL RESISTORS AND CAPACITORS THIS PAGE ARE SIZE 0402 UNLESS OTHERWISE NOTED.

|   |              |  |  |   |
|---|--------------|--|--|---|
| <b>CUSTOMER NOTICE</b><br><small>LINEAR TECHNOLOGY HAS MADE A BEST EFFORT TO DESIGN A CIRCUIT THAT MEETS CUSTOMER-SUPPLIED SPECIFICATIONS; HOWEVER, IT REMAINS THE CUSTOMER'S RESPONSIBILITY TO VERIFY PROPER AND RELIABLE OPERATION IN THE ACTUAL APPLICATION. COMPONENT SUBSTITUTION AND PRINTED CIRCUIT BOARD LAYOUT MAY SIGNIFICANTLY AFFECT CIRCUIT PERFORMANCE OR RELIABILITY. CONTACT LINEAR TECHNOLOGY APPLICATIONS ENGINEERING FOR ASSISTANCE.</small> |              | <b>APPROVALS</b><br>ENGINEER:<br><b>GUY HOOVER</b> | <br>1630 McCarthy Blvd.<br>Milpitas, CA 95035<br>Phone: (408)432-1900 www.linear.com<br>Fax: (408)434-0507<br>LTC Confidential-For Customer Use Only |   |
|   |              | DESIGNER:<br><b>M.HAWKINS</b>                      |  | <b>TITLE:</b><br><b>OVERSAMPLED 32-BIT ADC WITH PROGRAMMABLE DIGITAL FILTER</b> |
| THIS CIRCUIT IS PROPRIETARY TO LINEAR TECHNOLOGY AND SUPPLIED FOR USE WITH LINEAR TECHNOLOGY PARTS.   |              | SKU NO.<br><b>DC2222A- A</b>                       | PCA ASS'Y DWG:<br><b>705-DC2222A_REV03</b>   | SCHEMATIC NO. AND REVISION:<br><b>710-DC2222A_REV07</b>                         |
| SIZE: NA  | SCALE = NONE | DATE: Tuesday, November 01, 2016                   | SHEET 2 OF 3   |   |

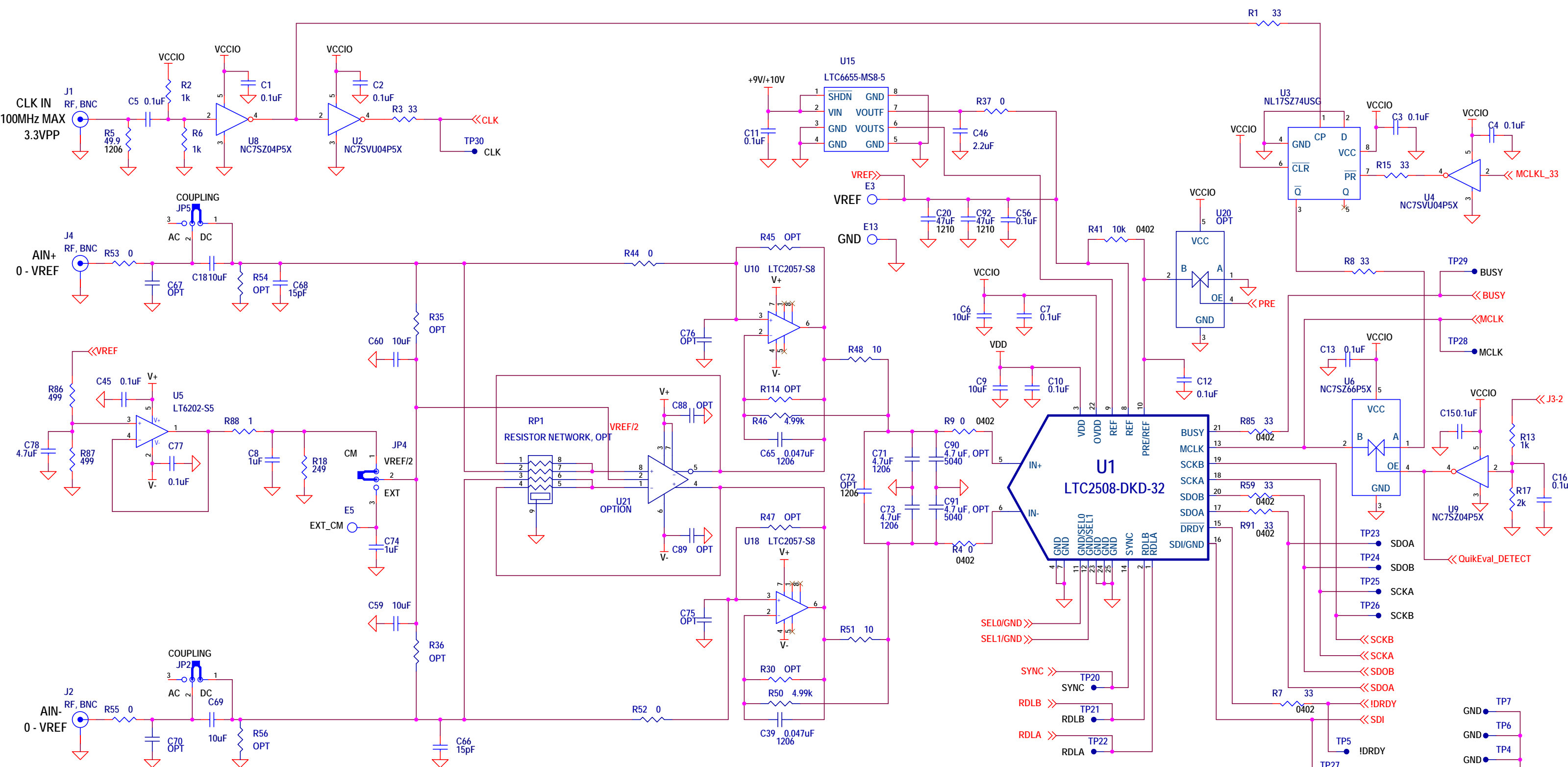


PCA ADDITIONAL PARTS

|      |                                 |
|------|---------------------------------|
| MP1  | STANDOFF,NYLON, SNAP-ON, 0.250" |
| MP2  | STANDOFF,NYLON, SNAP-ON, 0.250" |
| MP3  | STANDOFF,NYLON, SNAP-ON, 0.250" |
| MP4  | STANDOFF,NYLON, SNAP-ON, 0.250" |
| PCB1 | PCB, DC2222A REV03              |
| LB1  | LABEL                           |

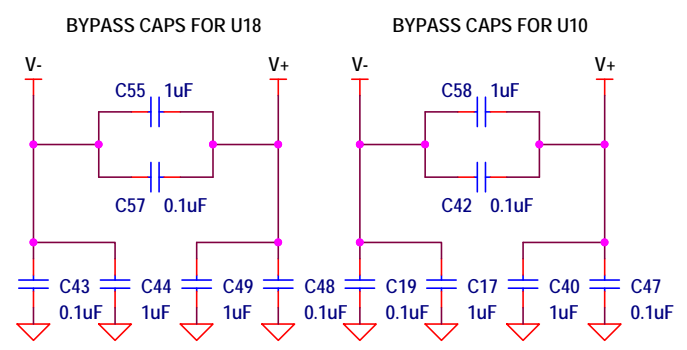
NOTES:  
 1. ALL RESISTORS AND CAPACITORS THIS PAGE ARE SIZE 0603 UNLESS OTHERWISE NOTED.

|  |  |   |  |
|--|--|---|--|
| <h3>CUSTOMER NOTICE</h3> <p>LINEAR TECHNOLOGY HAS MADE A BEST EFFORT TO DESIGN A CIRCUIT THAT MEETS CUSTOMER-SUPPLIED SPECIFICATIONS; HOWEVER, IT REMAINS THE CUSTOMER'S RESPONSIBILITY TO VERIFY PROPER AND RELIABLE OPERATION IN THE ACTUAL APPLICATION. COMPONENT SUBSTITUTION AND PRINTED CIRCUIT BOARD LAYOUT MAY SIGNIFICANTLY AFFECT CIRCUIT PERFORMANCE OR RELIABILITY. CONTACT LINEAR TECHNOLOGY APPLICATIONS ENGINEERING FOR ASSISTANCE.</p> | <b>APPROVALS</b><br>ENGINEER:<br><b>GUY HOOVER</b> | <p>1630 McCarthy Blvd.<br/>         Milpitas, CA 95035<br/>         Phone: (408)432-1900 www.linear.com<br/>         Fax: (408)434-0507<br/>         LTC Confidential-For Customer Use Only</p> |  |
|  | <b>DESIGNER:</b><br><b>M.HAWKINS</b>               |   | <b>TITLE:</b><br><b>OVERSAMPLED 32-BIT ADC<br/>         WITH PROGRAMMABLE DIGITAL FILTER</b> |
| THIS CIRCUIT IS PROPRIETARY TO LINEAR TECHNOLOGY AND SUPPLIED FOR USE WITH LINEAR TECHNOLOGY PARTS.  | <b>SKU NO.</b><br><b>DC2222A- A</b>                | <b>PCA ASS'Y DWG:</b><br><b>705-DC2222A_REV03</b>   | <b>SCHEMATIC NO. AND REVISION:</b><br><b>710-DC2222A_REV07</b>                               |
|  | <b>SIZE:</b> 8.5X14                                | <b>SCALE =</b> NONE   | <b>DATE:</b> Tuesday, November 01, 2016  |



\* ASSEMBLY OPTIONS

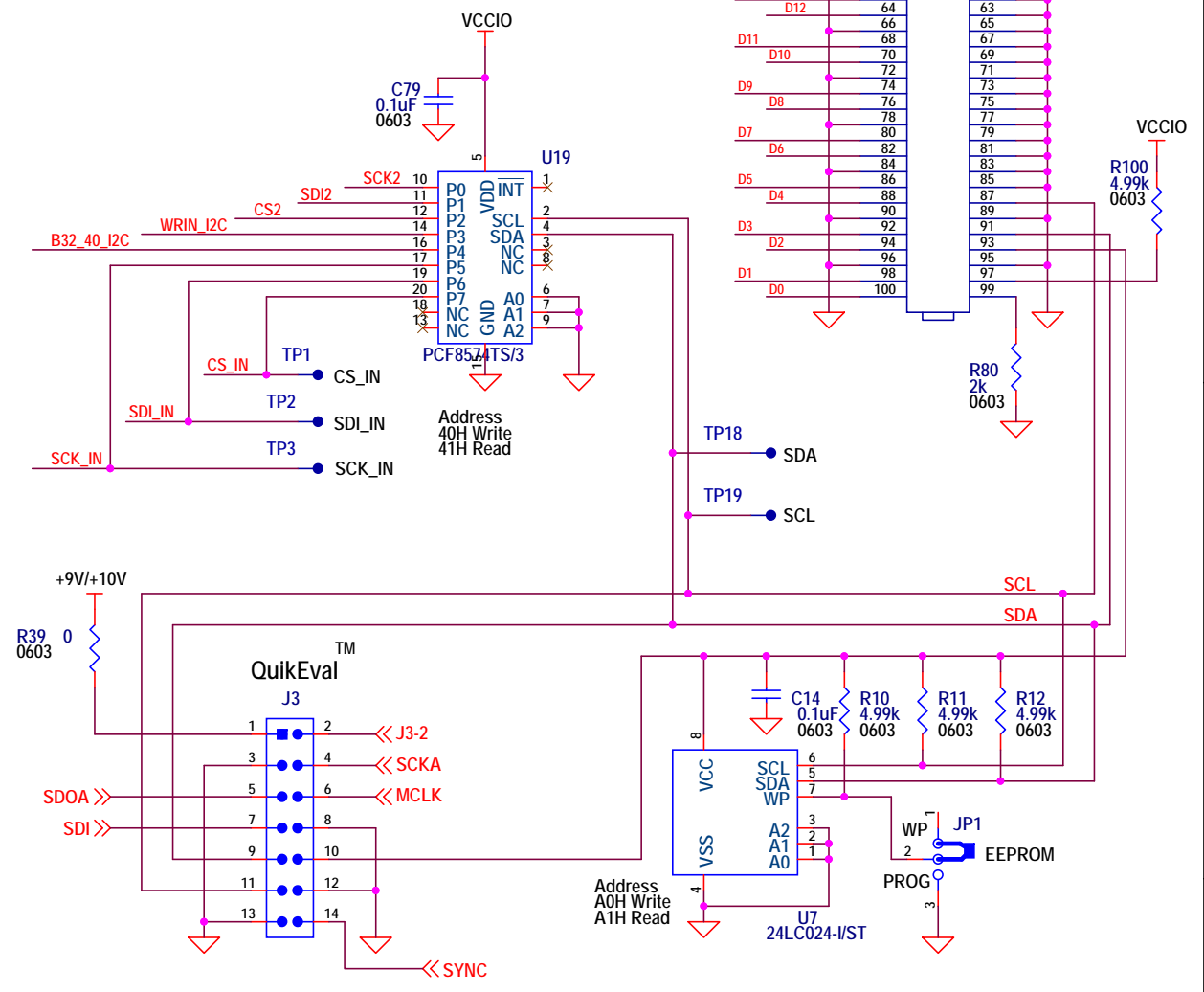
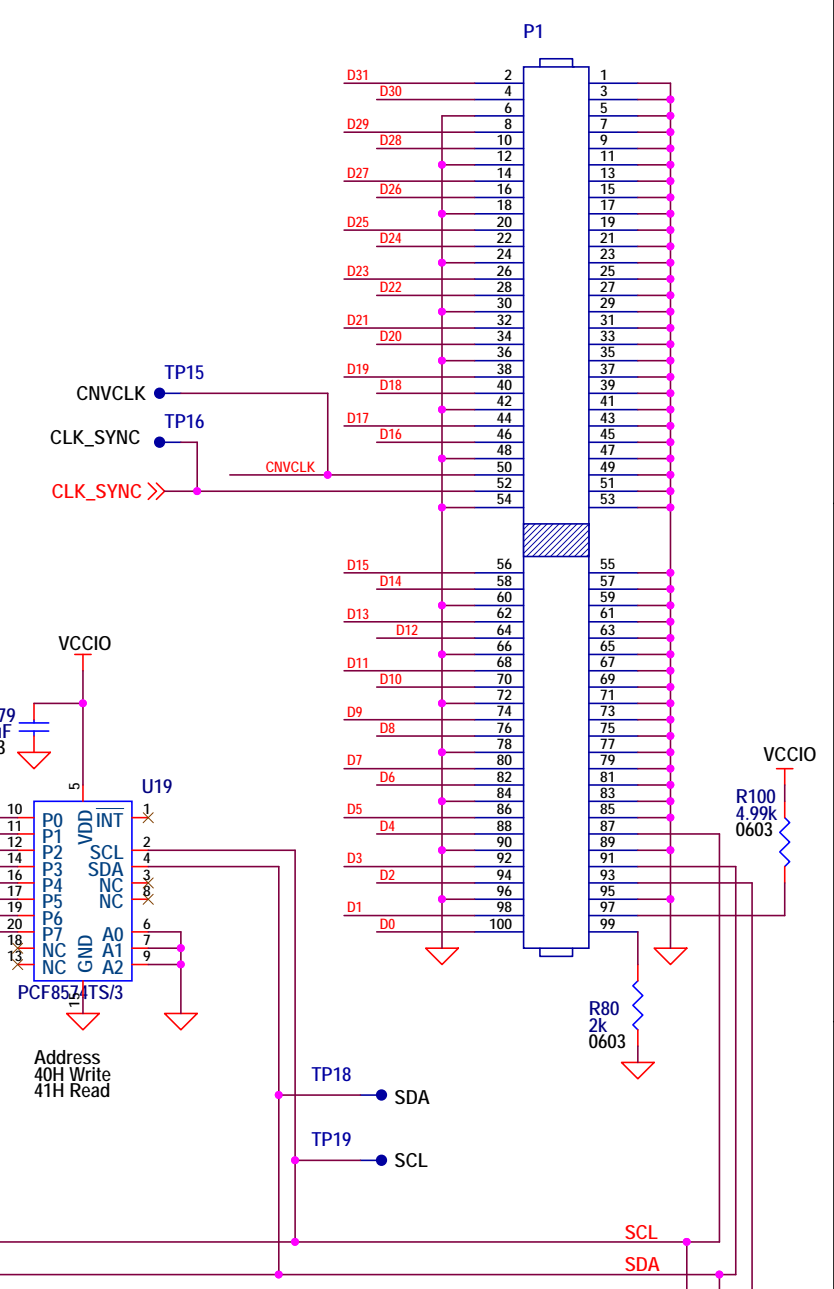
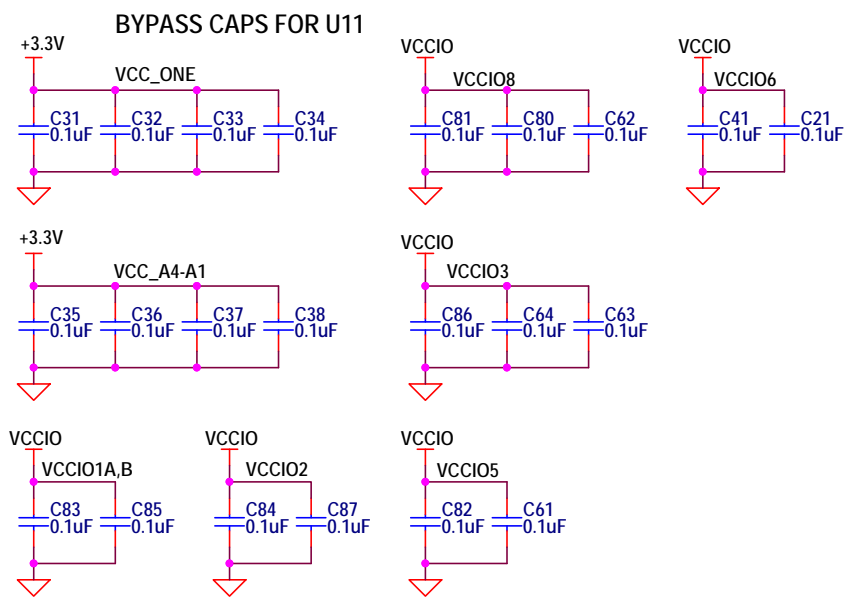
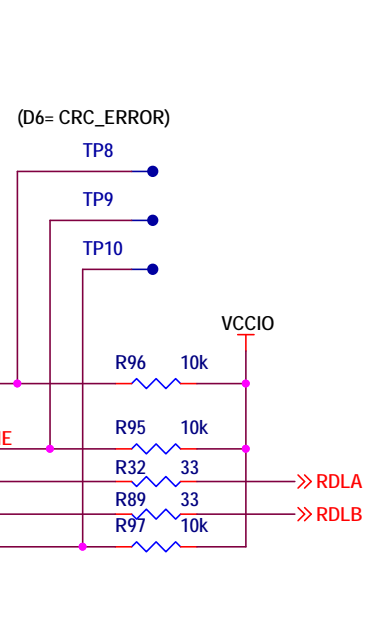
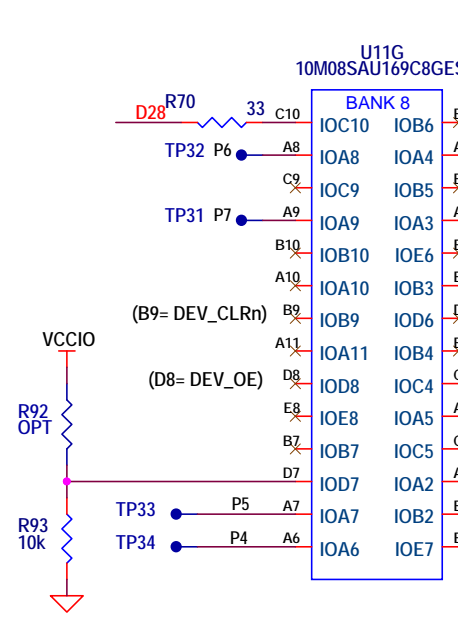
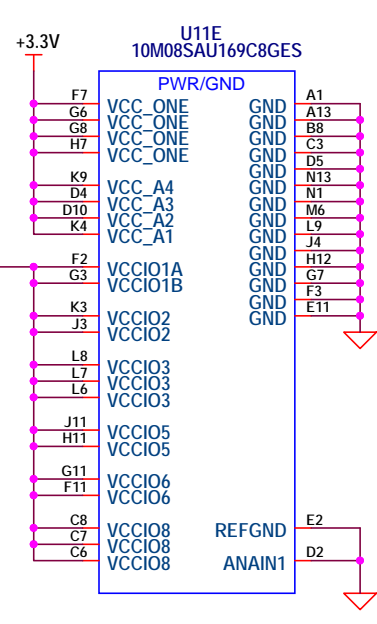
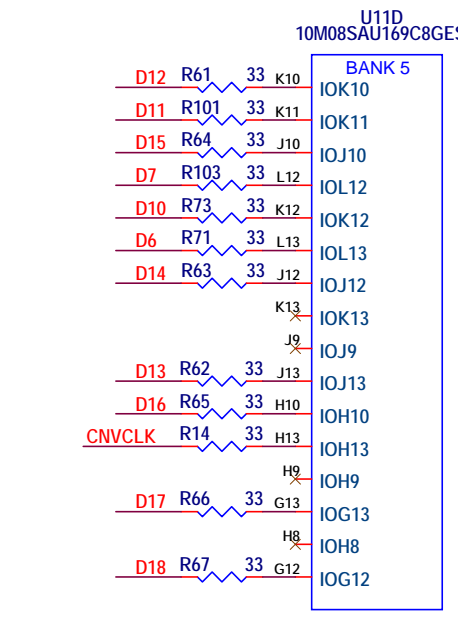
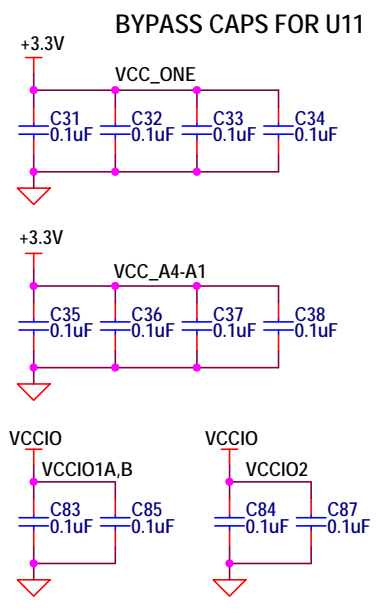
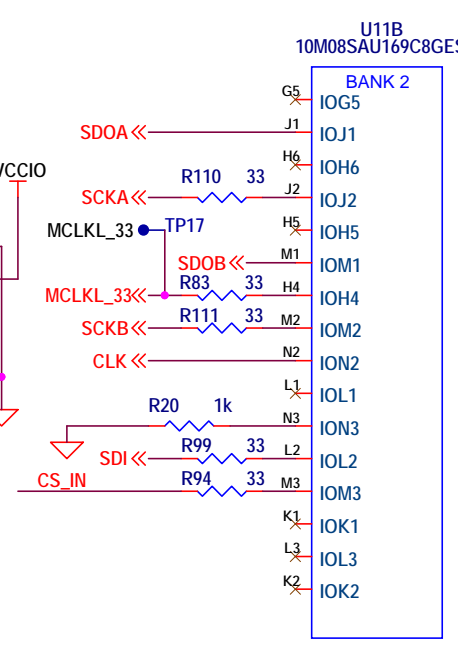
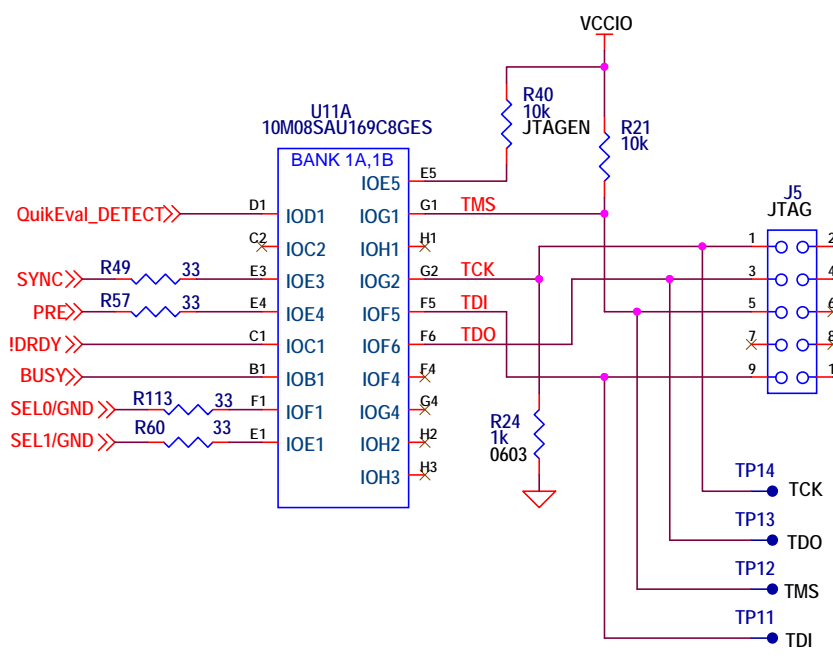
| LTC SKU#  | U1 USED         | BITS | fs max (ksps) | PIN 10 | PIN 11 | PIN 12 | PIN 16 |
|-----------|-----------------|------|---------------|--------|--------|--------|--------|
| DC2222A-A | LTC2500-IDKD-32 | 32   | 1000          | PRE    | GND    | GND    | SDI    |
| DC2222A-B | LTC2508-IDKD-32 | 32   | 3.9           | REF    | SEL0   | SEL1   | GND    |
| DC2222A-C | LTC2512-IDKD-24 | 24   | 400           | REF    | SEL0   | SEL1   | GND    |



NOTES:  
 1. ALL RESISTORS AND CAPACITORS THIS PAGE ARE SIZE 0603 UNLESS OTHERWISE NOTED.

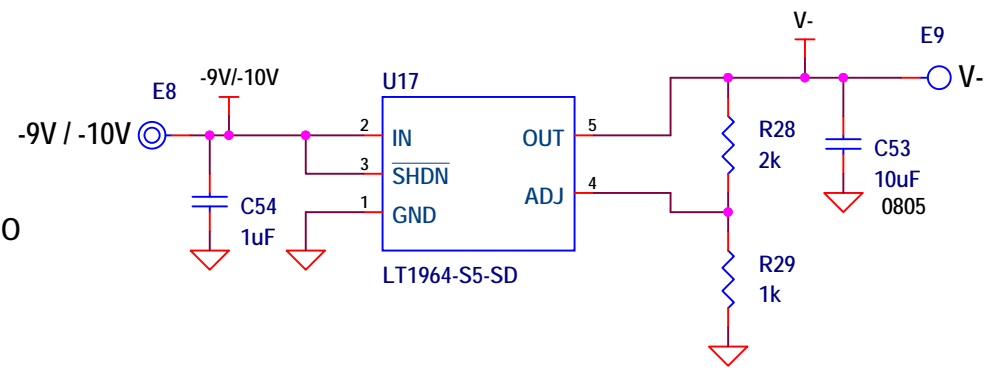
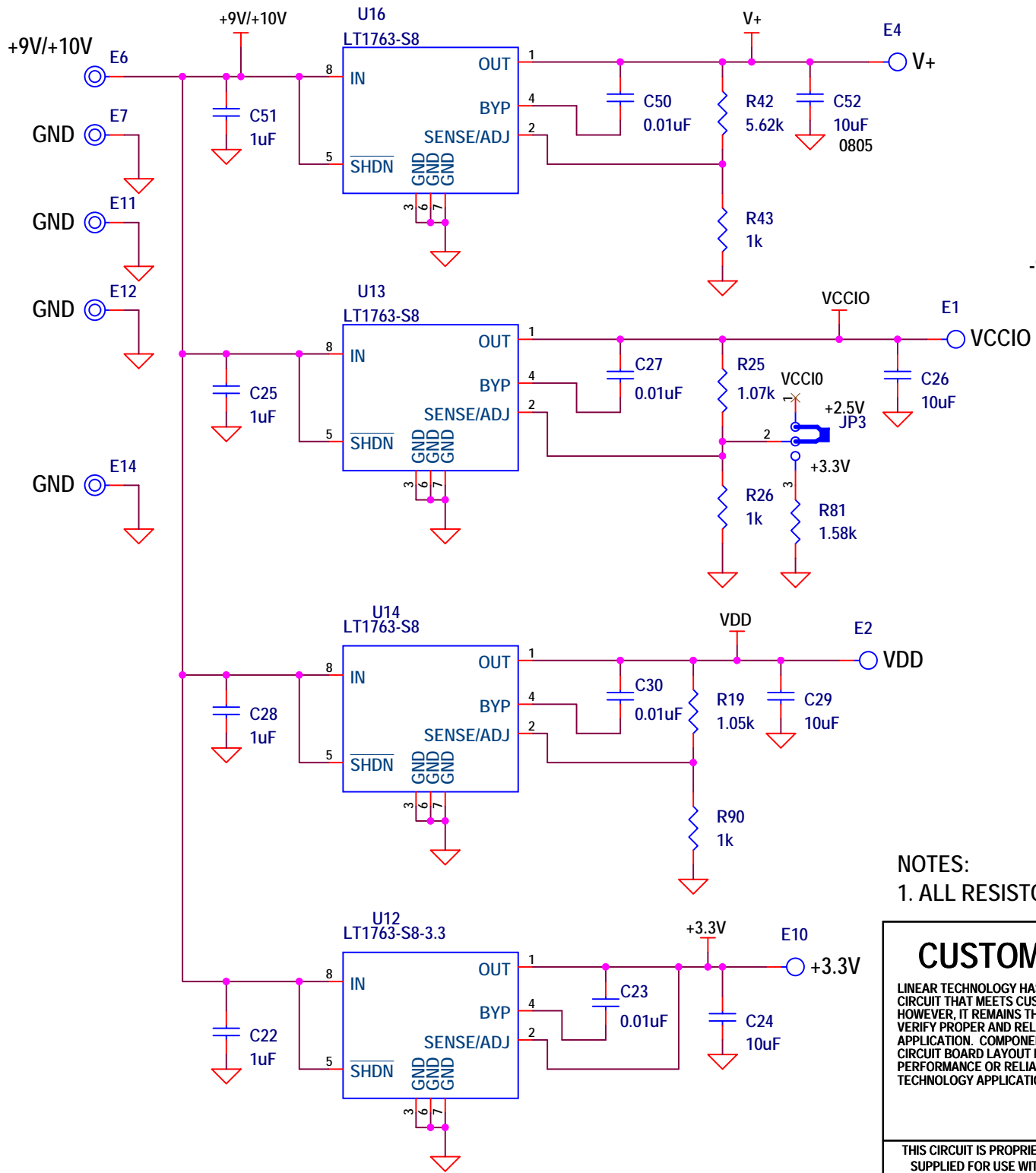
|   |  |  |  |                                  |
|---|--|--|--|----------------------------------|
| <b>CUSTOMER NOTICE</b><br><small>LINEAR TECHNOLOGY HAS MADE A BEST EFFORT TO DESIGN A CIRCUIT THAT MEETS CUSTOMER-SUPPLIED SPECIFICATIONS; HOWEVER, IT REMAINS THE CUSTOMER'S RESPONSIBILITY TO VERIFY PROPER AND RELIABLE OPERATION IN THE ACTUAL APPLICATION. COMPONENT SUBSTITUTION AND PRINTED CIRCUIT BOARD LAYOUT MAY SIGNIFICANTLY AFFECT CIRCUIT PERFORMANCE OR RELIABILITY. CONTACT LINEAR TECHNOLOGY APPLICATIONS ENGINEERING FOR ASSISTANCE.</small> | APPROVALS<br>ENGINEER:<br><b>GUY HOOVER</b>  |  | 1630 McCarthy Blvd.<br>Milpitas, CA 95035<br>Phone: (408)432-1900 www.linear.com<br>Fax: (408)434-0507<br>LTC Confidential-For Customer Use Only |                                  |
|   | DESIGNER:<br><b>M.HAWKINS</b>  |  | TITLE:<br><b>OVERSAMPLED 32-BIT ADC WITH PROGRAMMABLE DIGITAL FILTER</b>   |                                  |
|   | SKU NO.<br><b>DC2222A-B</b>  | PCA ASS'Y DWG:<br><b>705-DC2222A_REV03</b> | SCHEMATIC NO. AND REVISION:<br><b>710-DC2222A_REV07</b>  |                                  |
|   | <small>THIS CIRCUIT IS PROPRIETARY TO LINEAR TECHNOLOGY AND SUPPLIED FOR USE WITH LINEAR TECHNOLOGY PARTS.</small> | SIZE: N/A                                  | SCALE = NONE   | DATE: Tuesday, November 01, 2016 |





NOTES:  
 1. ALL RESISTORS AND CAPACITORS THIS PAGE ARE SIZE 0402 UNLESS OTHERWISE NOTED.

|  |  |   |                                  |  |
|--|--|---|----------------------------------|--|
| <b>CUSTOMER NOTICE</b><br>LINEAR TECHNOLOGY HAS MADE A BEST EFFORT TO DESIGN A CIRCUIT THAT MEETS CUSTOMER-SUPPLIED SPECIFICATIONS; HOWEVER, IT REMAINS THE CUSTOMER'S RESPONSIBILITY TO VERIFY PROPER AND RELIABLE OPERATION IN THE ACTUAL APPLICATION. COMPONENT SUBSTITUTION AND PRINTED CIRCUIT BOARD LAYOUT MAY SIGNIFICANTLY AFFECT CIRCUIT PERFORMANCE OR RELIABILITY. CONTACT LINEAR TECHNOLOGY APPLICATIONS ENGINEERING FOR ASSISTANCE. |  | APPROVALS<br>ENGINEER:<br><b>GUY HOOVER</b>             |                                  | 1630 McCarthy Blvd.<br>Milpitas, CA 95035<br>Phone: (408)432-1900 www.linear.com<br>Fax: (408)434-0507<br>LTC Confidential-For Customer Use Only |
|  |  | DESIGNER:<br><b>M.HAWKINS</b>                           |                                  | TITLE:<br><b>OVERSAMPLED 32-BIT ADC WITH PROGRAMMABLE DIGITAL FILTER</b>   |
| SKU NO.<br><b>DC2222A- B</b>   | PCA ASS'Y DWG:<br><b>705-DC2222A_REV03</b> | SCHEMATIC NO. AND REVISION:<br><b>710-DC2222A_REV07</b> |                                  |  |
| THIS CIRCUIT IS PROPRIETARY TO LINEAR TECHNOLOGY AND SUPPLIED FOR USE WITH LINEAR TECHNOLOGY PARTS.  | SIZE: NA                                   | SCALE = NONE  | DATE: Tuesday, November 01, 2016 | SHEET 2 OF 3   |

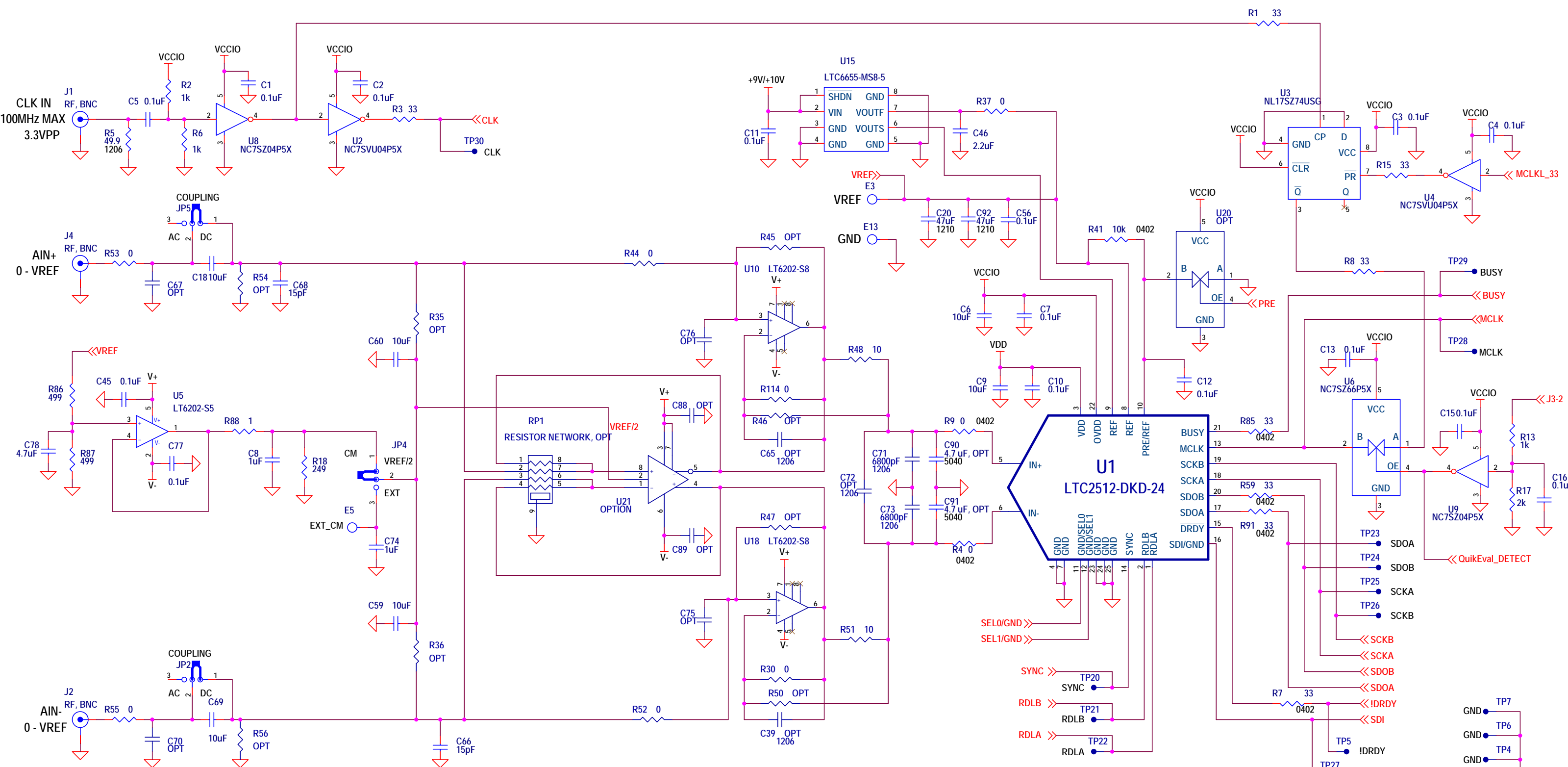


PCA ADDITIONAL PARTS

|      |                                 |
|------|---------------------------------|
| MP1  | STANDOFF,NYLON, SNAP-ON, 0.250" |
| MP2  | STANDOFF,NYLON, SNAP-ON, 0.250" |
| MP3  | STANDOFF,NYLON, SNAP-ON, 0.250" |
| MP4  | STANDOFF,NYLON, SNAP-ON, 0.250" |
| PCB1 | PCB, DC2222A REV03              |
| LB1  | LABEL                           |

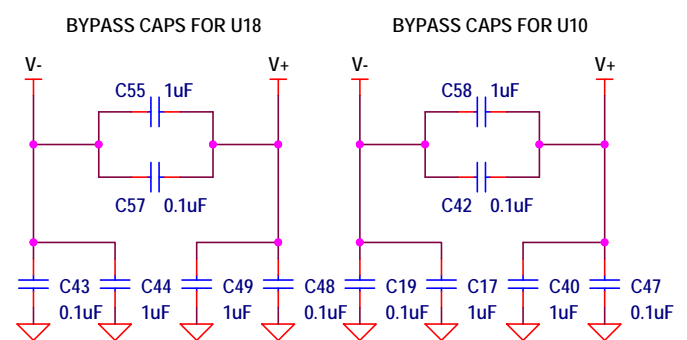
NOTES:  
1. ALL RESISTORS AND CAPACITORS THIS PAGE ARE SIZE 0603 UNLESS OTHERWISE NOTED.

|   |  |  |   |  |
|---|--|--|---|--|
| <p><b>CUSTOMER NOTICE</b></p> <p>LINEAR TECHNOLOGY HAS MADE A BEST EFFORT TO DESIGN A CIRCUIT THAT MEETS CUSTOMER-SUPPLIED SPECIFICATIONS; HOWEVER, IT REMAINS THE CUSTOMER'S RESPONSIBILITY TO VERIFY PROPER AND RELIABLE OPERATION IN THE ACTUAL APPLICATION. COMPONENT SUBSTITUTION AND PRINTED CIRCUIT BOARD LAYOUT MAY SIGNIFICANTLY AFFECT CIRCUIT PERFORMANCE OR RELIABILITY. CONTACT LINEAR TECHNOLOGY APPLICATIONS ENGINEERING FOR ASSISTANCE.</p> | <p>APPROVALS</p>                       |  | <p>1630 McCarthy Blvd.<br/>Milpitas, CA 95035<br/>Phone: (408)432-1900 www.linear.com<br/>Fax: (408)434-0507<br/>LTC Confidential-For Customer Use Only</p> |  |
|   | <p>ENGINEER:<br/><b>GUY HOOVER</b></p> |  | <p>DESIGNER:<br/><b>M.HAWKINS</b></p>   | <p>TITLE:<br/><b>OVERSAMPLED 32-BIT ADC<br/>WITH PROGRAMMABLE DIGITAL FILTER</b></p> |
| <p>THIS CIRCUIT IS PROPRIETARY TO LINEAR TECHNOLOGY AND SUPPLIED FOR USE WITH LINEAR TECHNOLOGY PARTS.</p>  | <p>SKU NO.<br/><b>DC2222A- B</b></p>   | <p>PCA ASS'Y DWG:<br/><b>705-DC2222A_REV03</b></p> | <p>SCHEMATIC NO. AND REVISION:<br/><b>710-DC2222A_REV07</b></p>   |  |
|   | <p>SIZE: 8.5X14</p>                    | <p>SCALE = NONE</p>                                | <p>DATE: Tuesday, November 01, 2016</p>   | <p>SHEET 3 OF 3</p>  |



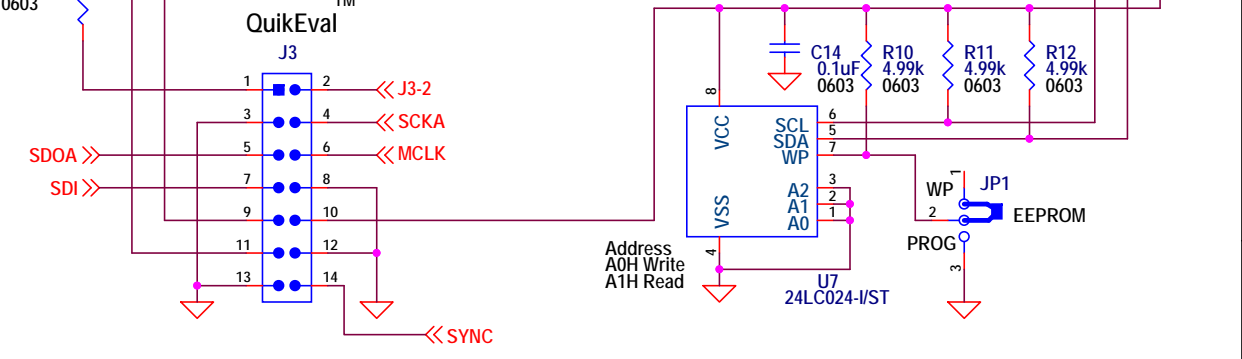
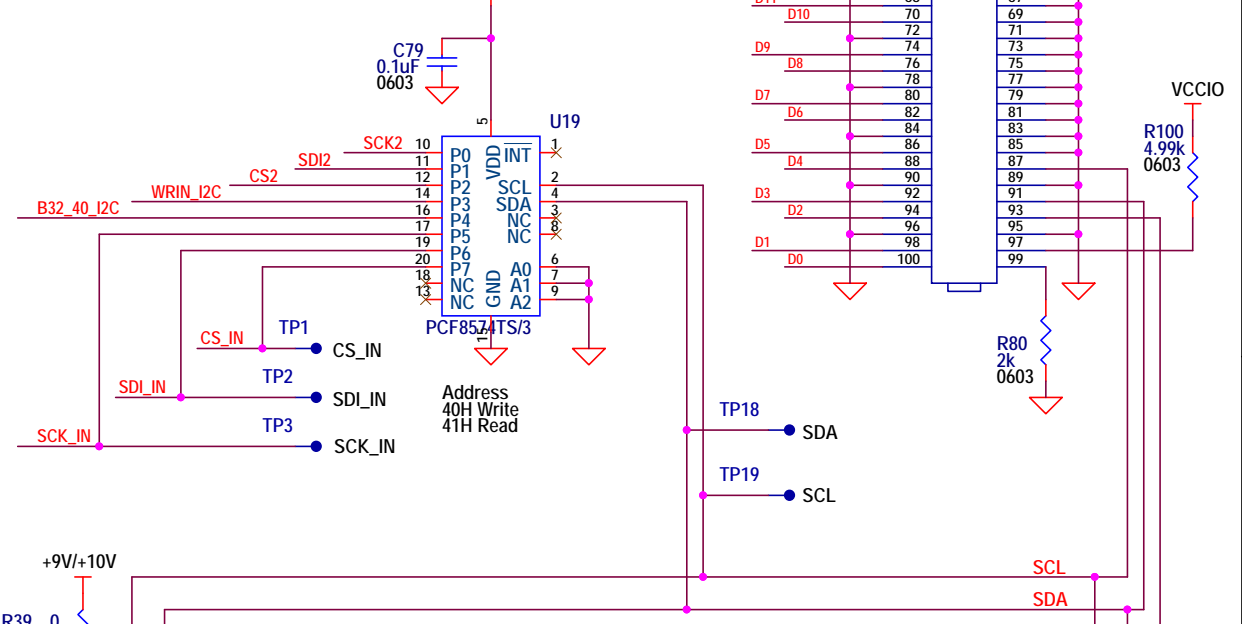
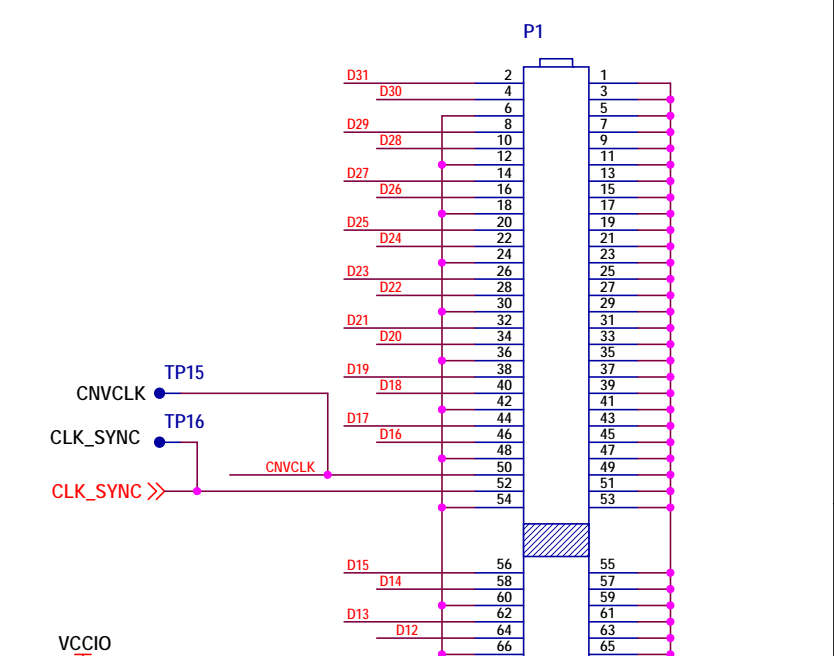
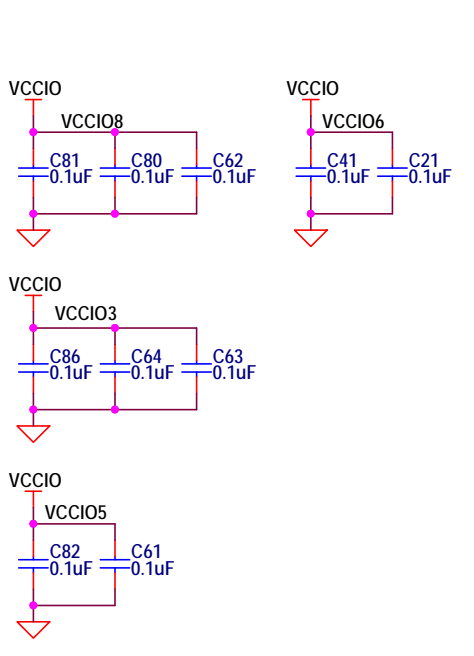
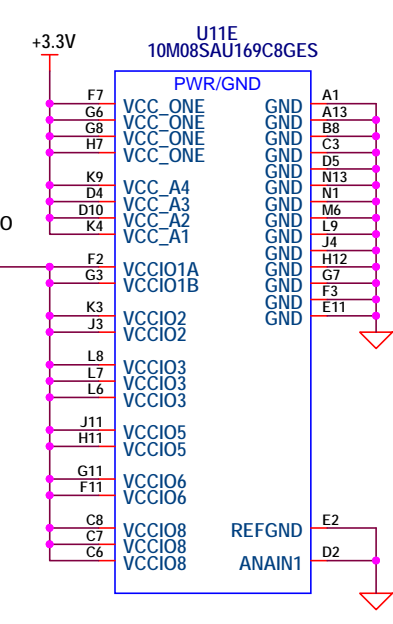
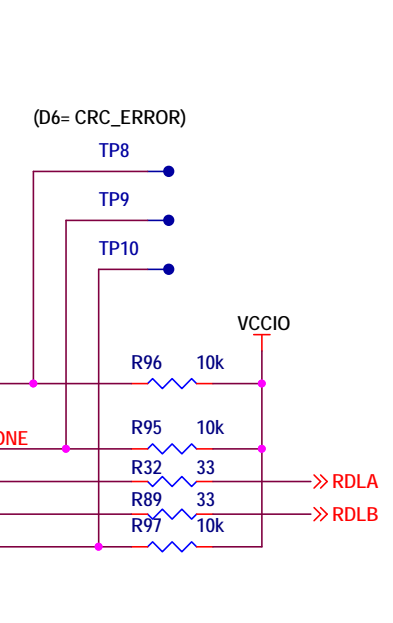
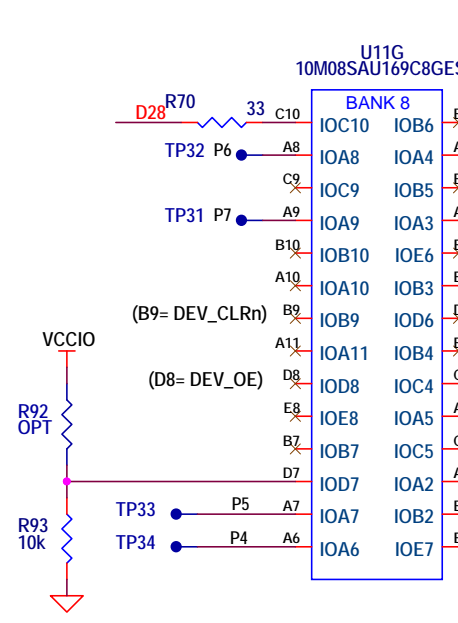
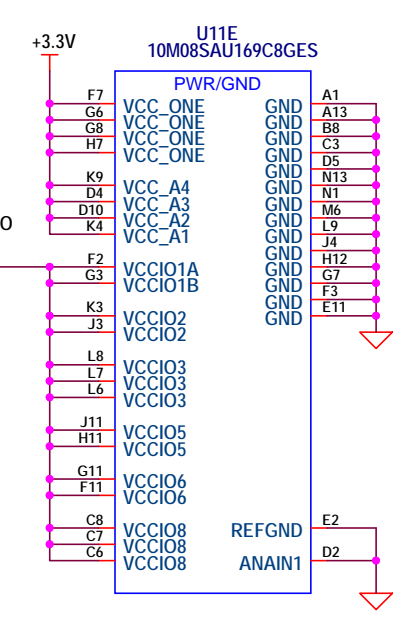
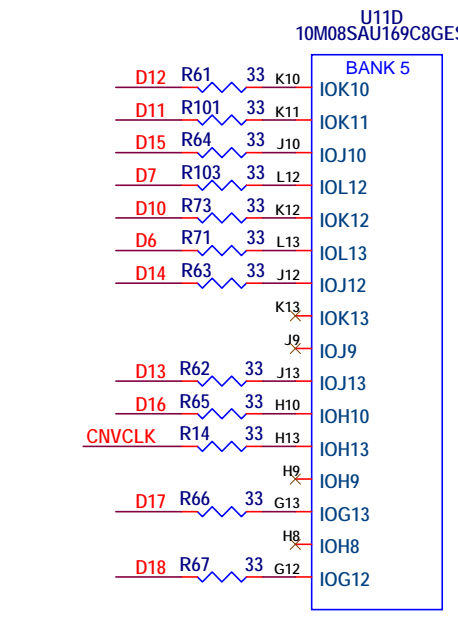
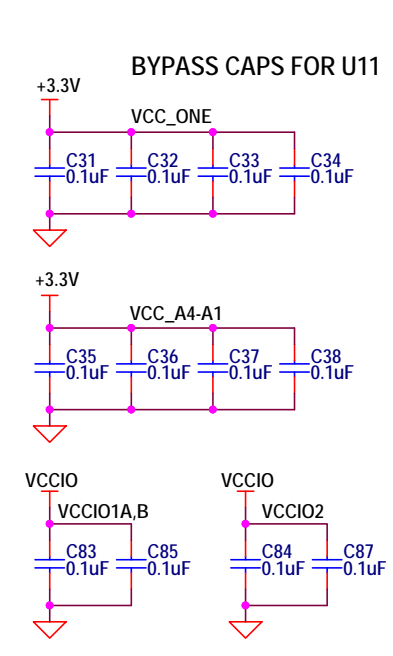
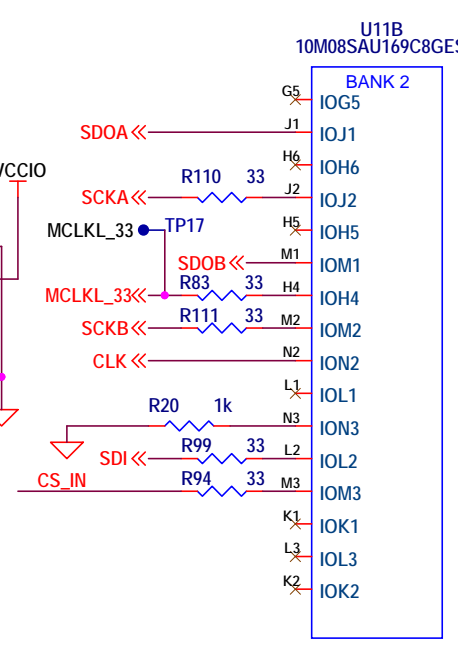
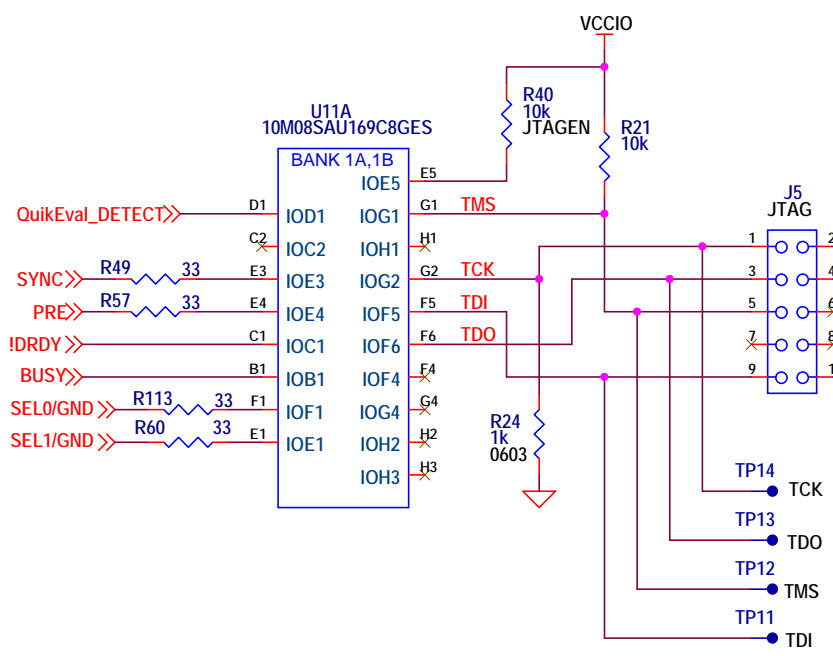
**\* ASSEMBLY OPTIONS**

| LTC SKU#  | U1 USED         | BITS | fs max (ksps) | PIN 10 | PIN 11 | PIN 12 | PIN 16 |
|-----------|-----------------|------|---------------|--------|--------|--------|--------|
| DC2222A-A | LTC2500-IDKD-32 | 32   | 1000          | PRE    | GND    | GND    | SDI    |
| DC2222A-B | LTC2508-IDKD-32 | 32   | 3.9           | REF    | SEL0   | SEL1   | GND    |
| DC2222A-C | LTC2512-IDKD-24 | 24   | 400           | REF    | SEL0   | SEL1   | GND    |



**NOTES:**  
 1. ALL RESISTORS AND CAPACITORS THIS PAGE ARE SIZE 0603 UNLESS OTHERWISE NOTED.

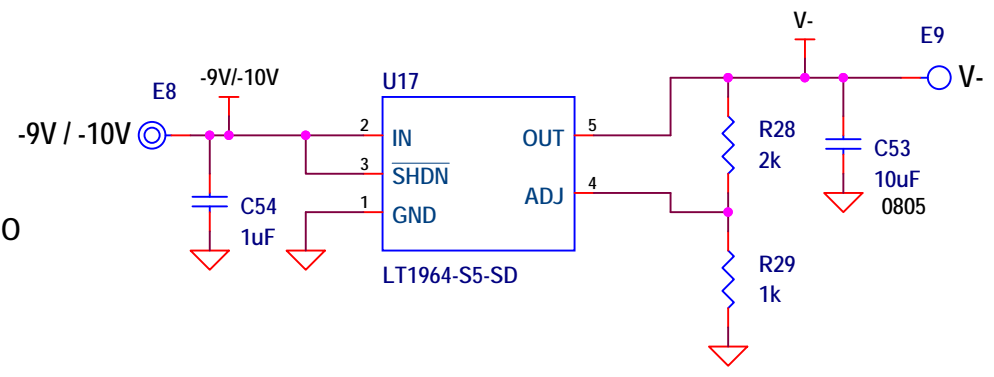
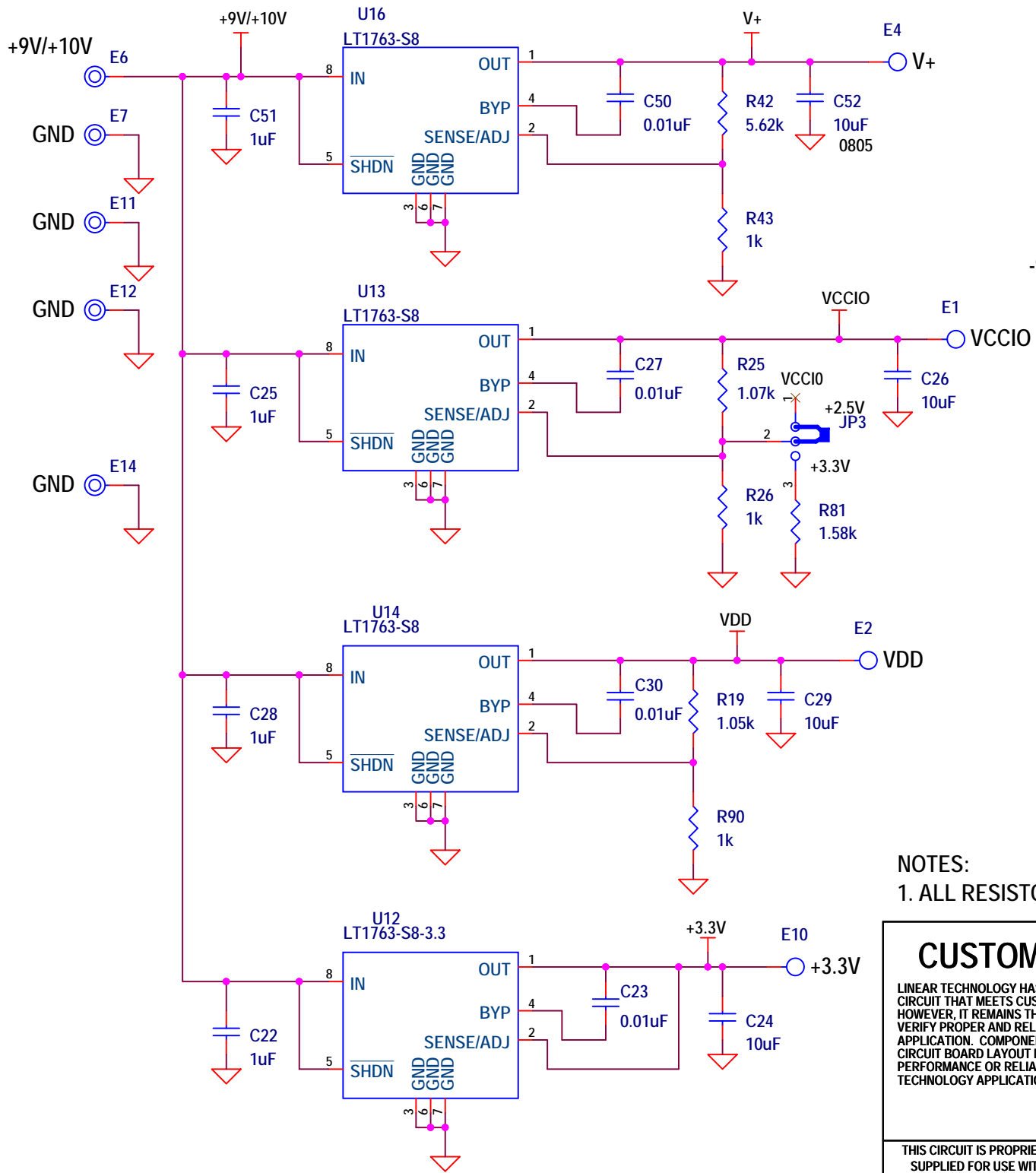
|  |   |   |  |
|--|---|---|--|
| <p><b>CUSTOMER NOTICE</b></p> <p>LINEAR TECHNOLOGY HAS MADE A BEST EFFORT TO DESIGN A CIRCUIT THAT MEETS CUSTOMER-SUPPLIED SPECIFICATIONS; HOWEVER, IT REMAINS THE CUSTOMER'S RESPONSIBILITY TO VERIFY PROPER AND RELIABLE OPERATION IN THE ACTUAL APPLICATION. COMPONENT SUBSTITUTION AND PRINTED CIRCUIT BOARD LAYOUT MAY SIGNIFICANTLY AFFECT CIRCUIT PERFORMANCE OR RELIABILITY. CONTACT LINEAR TECHNOLOGY APPLICATIONS ENGINEERING FOR ASSISTANCE.</p> <p>THIS CIRCUIT IS PROPRIETARY TO LINEAR TECHNOLOGY AND SUPPLIED FOR USE WITH LINEAR TECHNOLOGY PARTS.</p> | <p>APPROVALS</p> <p>ENGINEER:<br/><b>GUY HOOVER</b></p> | <p>1630 McCarthy Blvd.<br/>         Milpitas, CA 95035<br/>         Phone: (408)432-1900 www.linear.com<br/>         Fax: (408)434-0507<br/>         LTC Confidential-For Customer Use Only</p> |  |
|  | <p>DESIGNER:<br/><b>M.HAWKINS</b></p>                   |   | <p>TITLE:<br/> <b>OVERSAMPLED 32-BIT ADC<br/>         WITH PROGRAMMABLE DIGITAL FILTER</b></p> |
|  | <p>SKU NO.<br/><b>DC2222A-C</b></p>                     | <p>PCA ASS'Y DWG:<br/><b>705-DC2222A_REV03</b></p>  | <p>SCHEMATIC NO. AND REVISION:<br/><b>710-DC2222A_REV07</b></p>                                |
|  | <p>SIZE: N/A</p>  | <p>SCALE = NONE</p>   | <p>DATE: Tuesday, November 01, 2016</p>  |



NOTES:  
 1. ALL RESISTORS AND CAPACITORS THIS PAGE ARE SIZE 0402 UNLESS OTHERWISE NOTED.

|  |  |   |                                  |  |
|--|--|---|----------------------------------|--|
| <b>CUSTOMER NOTICE</b><br>LINEAR TECHNOLOGY HAS MADE A BEST EFFORT TO DESIGN A CIRCUIT THAT MEETS CUSTOMER-SUPPLIED SPECIFICATIONS; HOWEVER, IT REMAINS THE CUSTOMER'S RESPONSIBILITY TO VERIFY PROPER AND RELIABLE OPERATION IN THE ACTUAL APPLICATION. COMPONENT SUBSTITUTION AND PRINTED CIRCUIT BOARD LAYOUT MAY SIGNIFICANTLY AFFECT CIRCUIT PERFORMANCE OR RELIABILITY. CONTACT LINEAR TECHNOLOGY APPLICATIONS ENGINEERING FOR ASSISTANCE. |  | APPROVALS<br>ENGINEER:<br><b>GUY HOOVER</b>             |                                  | 1630 McCarthy Blvd.<br>Milpitas, CA 95035<br>Phone: (408)432-1900 www.linear.com<br>Fax: (408)434-0507<br>LTC Confidential-For Customer Use Only |
|  |  | DESIGNER:<br><b>M.HAWKINS</b>                           |                                  | TITLE:<br><b>OVERSAMPLED 32-BIT ADC WITH PROGRAMMABLE DIGITAL FILTER</b>   |
| SKU NO.<br><b>DC2222A- C</b>   | PCA ASS'Y DWG:<br><b>705-DC2222A_REV03</b> | SCHEMATIC NO. AND REVISION:<br><b>710-DC2222A_REV07</b> |                                  |  |
| THIS CIRCUIT IS PROPRIETARY TO LINEAR TECHNOLOGY AND SUPPLIED FOR USE WITH LINEAR TECHNOLOGY PARTS.  | SIZE: NA                                   | SCALE = NONE  | DATE: Tuesday, November 01, 2016 | SHEET 2 OF 3   |





PCA ADDITIONAL PARTS

|      |                                 |
|------|---------------------------------|
| MP1  | STANDOFF,NYLON, SNAP-ON, 0.250" |
| MP2  | STANDOFF,NYLON, SNAP-ON, 0.250" |
| MP3  | STANDOFF,NYLON, SNAP-ON, 0.250" |
| MP4  | STANDOFF,NYLON, SNAP-ON, 0.250" |
| PCB1 | PCB, DC2222A REV03              |
| LB1  | LABEL                           |

NOTES:  
 1. ALL RESISTORS AND CAPACITORS THIS PAGE ARE SIZE 0603 UNLESS OTHERWISE NOTED.

|  |  |   |  |                            |
|--|--|---|--|----------------------------|
| <b>CUSTOMER NOTICE</b><br>LINEAR TECHNOLOGY HAS MADE A BEST EFFORT TO DESIGN A CIRCUIT THAT MEETS CUSTOMER-SUPPLIED SPECIFICATIONS; HOWEVER, IT REMAINS THE CUSTOMER'S RESPONSIBILITY TO VERIFY PROPER AND RELIABLE OPERATION IN THE ACTUAL APPLICATION. COMPONENT SUBSTITUTION AND PRINTED CIRCUIT BOARD LAYOUT MAY SIGNIFICANTLY AFFECT CIRCUIT PERFORMANCE OR RELIABILITY. CONTACT LINEAR TECHNOLOGY APPLICATIONS ENGINEERING FOR ASSISTANCE. | <b>APPROVALS</b><br>ENGINEER:<br><b>GUY HOOVER</b> |   | 1630 McCarthy Blvd.<br>Milpitas, CA 95035<br>Phone: (408)432-1900 www.linear.com<br>Fax: (408)434-0507<br>LTC Confidential-For Customer Use Only |                            |
|  | DESIGNER:<br><b>M.HAWKINS</b>                      |   | <b>TITLE:</b><br><b>OVERSAMPLED 32-BIT ADC WITH PROGRAMMABLE DIGITAL FILTER</b>  |                            |
| THIS CIRCUIT IS PROPRIETARY TO LINEAR TECHNOLOGY AND SUPPLIED FOR USE WITH LINEAR TECHNOLOGY PARTS.  | <b>SKU NO.</b><br><b>DC2222A- C</b>                | <b>PCA ASS'Y DWG:</b><br><b>705-DC2222A_REV03</b> | <b>SCHEMATIC NO. AND REVISION:</b><br><b>710-DC2222A_REV07</b>   |                            |
|  | <b>SIZE:</b> 8.5X14                                | <b>SCALE =</b> NONE                               | <b>DATE:</b> Tuesday, November 01, 2016  | <b>SHEET</b> 3 <b>OF</b> 3 |