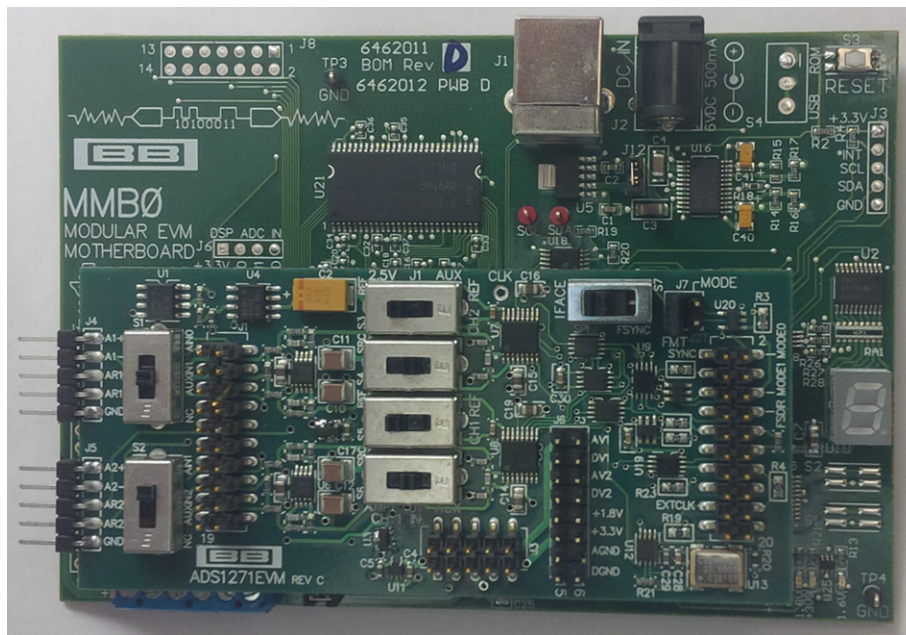


## ADS1271EVM and ADS1271EVM-PDK User's Guide



**ADS1271EVM-PDK**

This user's guide describes the characteristics, operation, and use of the ADS1271EVM, both by itself and as part of the ADS1271EVM-PDK. This EVM is a 24-bit analog-to-digital converter evaluation module.

This document includes an EVM Quick Start, hardware and software details, bill of materials, and schematic.

The following related documents are available through the Texas Instruments web site at [www.ti.com](http://www.ti.com).

**Table 1. EVM-Compatible Device Data Sheets**

Device	Literature Number
ADS1271	<a href="#">SBAS306</a>
OPA350	<a href="#">SBOS099B</a>
OPA1632	<a href="#">SBOS286</a>
REF1004	<a href="#">SBVS002</a>
REF3125	<a href="#">SBVS046A</a>
SN74AVC1T45	<a href="#">SCES530C</a>
SN74AVC2T45	<a href="#">SCES531D</a>
SN74LVC1G125	<a href="#">SCES223L</a>
SN74LVC2G66	<a href="#">SCES325G</a>
SN74LVC2G157	<a href="#">SCES207I</a>
TPS71550	<a href="#">SLVS338H</a>

## 1 EVM Overview

### 1.1 Features

#### **ADS1271EVM Features:**

- Contains all support circuitry needed for the ADS1271
- Two ADS1271 converters on board illustrate use of daisy-chain mode
- Onboard reference and oscillator circuits
- Compatible with the TI Modular EVM System

**ADS1271EVM-PDK** includes the ADS1271EVM board with the DSP-based MMB0 motherboard, that can be used with provided software to quickly evaluate the device.

This manual covers the operation of the ADS1271EVM-PDK. Throughout this document, the abbreviation EVM and the term evaluation module are synonymous with the ADS1271EVM.

## 2 Quick Start

This section provides a Quick Start guide to quickly begin evaluating the ADS1271EVM.

### 2.1 Default Jumper/Switch Configuration

Figure 1 shows the jumpers found on the EVM and locations of *left*, *middle* and *right* for switch settings in the following discussion.

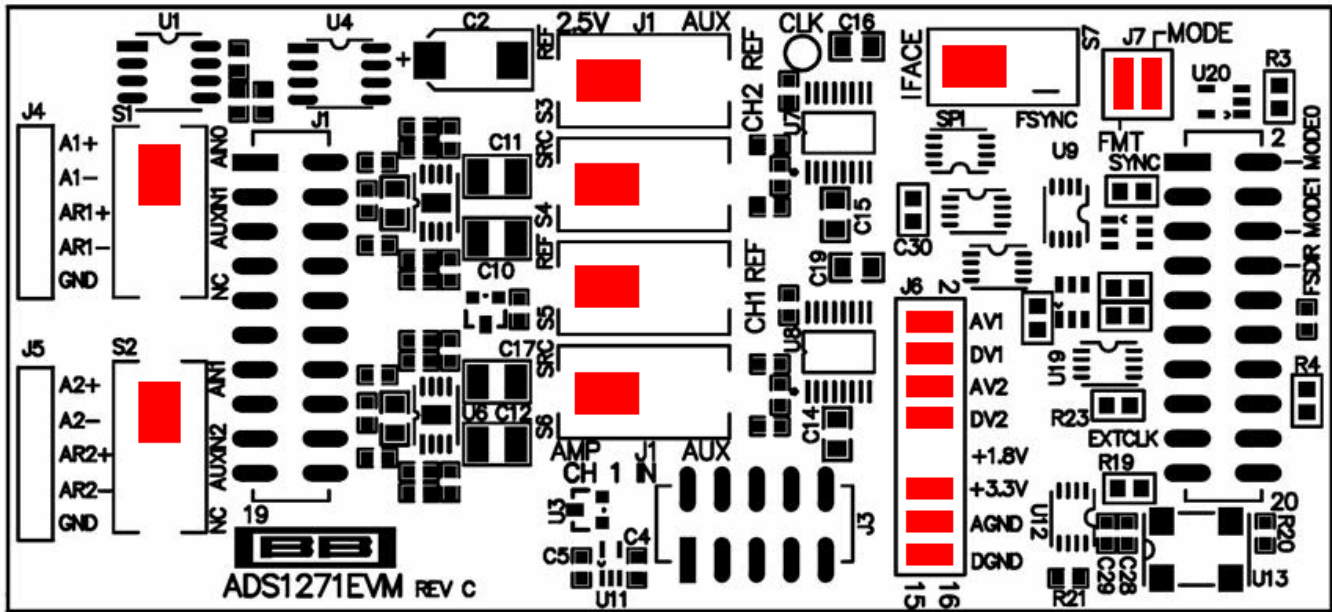


Figure 1. ADS1271EVM Default Configuration

Table 2 lists the jumpers and switches and the factory default conditions

Table 2. Default Jumper/Switch Configuration

Switch	Default Position		Switch Description
S1	Up		Analog input from aux header (J4) connected to buffer
S2	Up		Analog input from aux header (J5) connected to buffer
S3	Left		2.5V reference connection to CH2 reference
S4	Left		Buffer connected to CH2 input
S5	Left		2.5V reference connection to CH1 reference
S6	Left		Buffer connected to CH1 input
S7	Left		Hardware control of Format is floating
J6	AV1	Installed	AVDD connection for ADC1
	DV1	Installed	DVDD connection for ADC1
	AV2	Installed	AVDD connection for ADC2
	DV2	Installed	DVDD connection for ADC2
	+1.8V	Uninstalled	Do not connect 1.8V to DVDD (misc ICs and switches)
	+3.3V	Installed	Connect 3.3V to DVDD (misc ICs and switches)
	AGND	Uninstalled	Do not connect AGND to EVM ground
DGND	Installed	Connect DGND to EVM ground	
J7	Installed 1-2 (FMT)		SPI Format controlled by software or hardware (S7)
	Installed 3-4 (MODE)		ADS1271 MODE pin controlled via software

## 2.2 ADS1271EVM-PDK Operation

Follow these steps to evaluate the ADS1271 with the ADS1271EVM-PDK:

1. Verify that the jumpers on the ADS1271EVM are as shown in [Figure 1](#) (note that these settings are the factory-configured settings for the EVM).
2. Verify that the MMB0 jumpers are in the default position.
  - MMB0 J13A → Open
  - MMB0 J13B → Short
3. Plug the ADS1271EVM onto the MMB0 (if not already connected). Connectors J1B, J2B, and J3B (female connectors on the bottom side) on the EVM align with male connectors J7, J4, and J5 respectively on the MMB0.

### CAUTION

Do not misalign the pins when plugging the ADS1271EVM into the MMB0. Check the pin alignment of the connectors carefully before applying power to the PDK.

4. Complete the following steps to install the evaluation software onto your PC.

---

**NOTE:** This software is designed to run on Microsoft® Windows® XP. Other operating systems are not supported.

---

- (a) Download the software from the ADS1271EVM-PDK product folder. Unzip the file and locate the Setup program on the disk and execute it. The Setup program installs the ADS1271 evaluation software on your PC. Follow the instructions and prompts given.
- (b) After the main program is installed, a dialog box appears with instructions for installing NI-VISA 3.1 Runtime.
  - (i) Click *OK* to proceed.
  - (ii) Click *Unzip* and the archive extracts itself and automatically runs the NI-VISA 3.1 Runtime installer.
- (c) Follow the instructions in the NI-VISA 3.1 Runtime Installer. When prompted for which features to install, do the following:
  - (i) Click on the disk icon next to NI-VISA 3.1
  - (ii) Select, ***Do not install this feature.***
  - (iii) Click on the disk icon next to *USB*.
  - (iv) Select the option which installs this feature.
  - (v) Click *Next*.
  - (vi) Accept the license agreement, and continue the installation.
  - (vii) When the installation completes, click *Finish* on the ADS1271EVM installer window. You may be prompted to restart your computer.
5. When installation is complete, attach a USB cable from your PC to the MMB0.
6. Connect the included AC adapter to the MMB0.
7. If you intend to utilize the analog signal buffers on the EVM, connect  $\pm 15V$  and ground via J14 terminal connections +VA, -VA, and GND on the MMB0. Otherwise, skip this step.
8. Start the software on your PC. The software should automatically find the ADS1271EVM, and a screen similar to the one in [Figure 2](#) should appear.

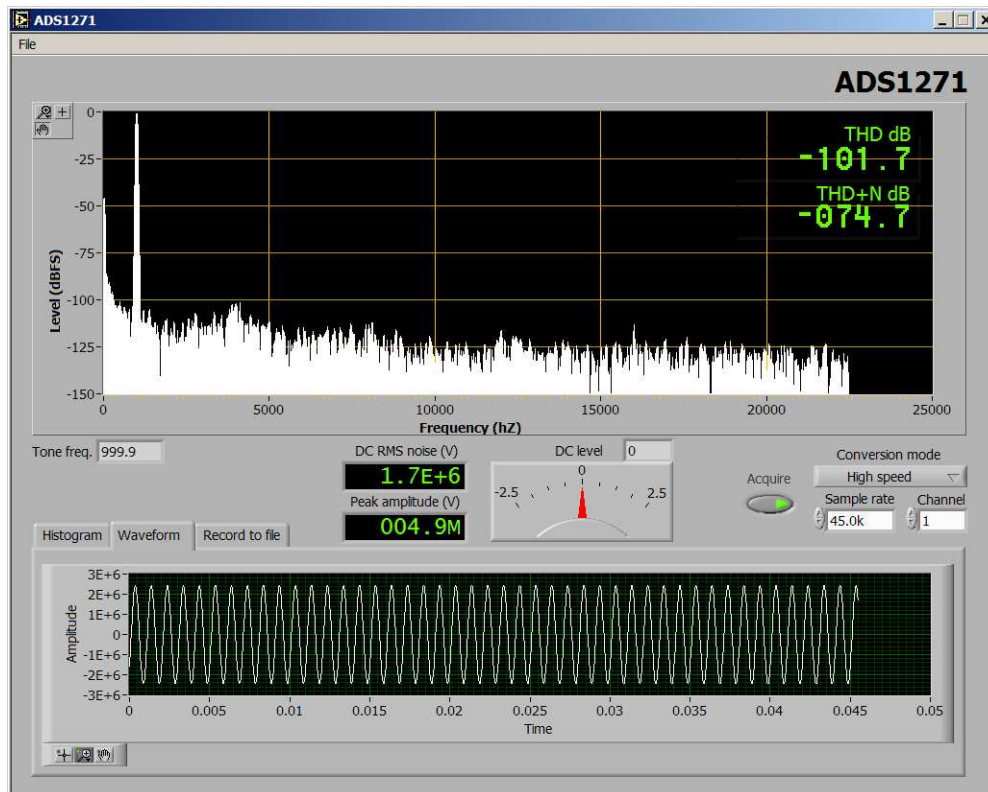


Figure 2. Default Software Screen

### 3 Quick Reference

Table 3 provides a quick summary of the connections required for operation of the EVM as a stand-alone board.

Table 3. Critical Connections

	Function	Header/Pin	Pin Name	Description
SPI	SCLK	J2.5	CLKR	SPI Serial Clock
	DIN	J2.13 (Top)	DR	SPI Data Input to ADC (MOSI)
	DOUT	J2.13 (Bottom)	DR	SPI Data Output from ADC (MISO)
	DRDY/FSYNC	J2.9 Top J2.9 Bottom	FSOUT FSR	SPI new conversion indication (see Section 5.6.2)
Power	1.8V	J3.7	+1.8VD	1.8V supply for ADC DVDD (option)
	3.3V	J3.9	+3.3VD	3.3V supply for ADC DVDD (option)
	5.0V	J3.3	+5VA	5.0V supply for ADC AVDD
	AVDD (EVM supply)	J3.1	+VA	Positive supply for buffers (+15V) (only required when using analog buffers)
	AVSS (EVM supply)	J3.2	-VA	Negative supply for buffers (-15V) (only required when using analog buffers)
	DGND	J3.5	DGND	Digital ground from MMB0
	AGND	J3.6	AGND	Analog ground from MMB0
Analog Inputs	Analog inputs and external reference	J4/5	Various	Analog inputs and external reference to ADC



## 4 Software

Once the ADS1271EVM-PDK software (described in [Step 4](#)) is installed, evaluation and development with the ADS1271 can begin.

### 4.1 Basic Usage

Once the evaluation software is started, it checks to see whether an MMB0 is connected. If hardware is connected and recognized, the program downloads the firmware to it, and continues to operate. If no hardware is detected, a dialog box is displayed telling you that it cannot find an MMB0. If you see this, make sure the MMB0 is connected and powered on and click *Retry*. If the software cannot find the hardware, you can click *Cancel* to quit the application.

After the program loads the MMB0 successfully, you will see a screen similar to that shown in [Figure 2](#). The top portion of the display shows an FFT of the ADC data and certain AC analysis numbers. Immediately below the FFT graph (middle portion of the display) are a number of controls and meters. At the bottom of the display is a set of tabs, which show either a histogram, a picture of the incoming waveform, or the data recording controls.

To exit the program, select **File** → **Exit** from the menu bar.

When the program starts, it will be in idle mode. You can put it in either [Acquire Mode](#) or [Record Mode](#).

#### 4.1.1 Acquire Mode

In Acquire mode, the ADS1271EVM software collects data from the board in 2,048-sample blocks and performs the appropriate analysis. Both AC and DC analyses are performed.

To put the program into Acquire mode, click the **Acquire** button.

In Acquire mode, you can only view the data from one channel at a time. To choose channels, use the **Channel** box.

##### 4.1.1.1 AC Analysis

The basic AC analysis consists of the FFT graph and THD calculations. The THD analyzer uses an automatic tone-detection algorithm, which searches for the highest harmonic to use for the THD analysis. The detected frequency is shown in the indicator marked *Tone Freq*.

---

**NOTE:** For the THD analysis to work, the input must be a sine wave below half the Nyquist frequency, since the THD analyzer needs at least one harmonic for correct operation.

---

##### 4.1.1.2 Time Domain Analysis

The ADC data is plotted as a waveform in the time domain on the **Waveform** tab located at the bottom of the screen.

##### 4.1.1.3 DC Analysis

For DC analysis, the middle section of the application provides DC RMS noise (standard deviation), peak amplitude, and a DC level meter.

A histogram of the ADC data is plotted on the **Histogram** tab located at the bottom of the screen. Basic DC measurements work best when the ADC is driven by an amplifier, stable voltage source, or by shorting the inputs.

#### 4.1.2 Record Mode

To record/save ADC data, go to the **Record To File** tab and do the following:

1. If **Acquire** is on, turn it off. You must stop acquisition before the record feature can be enabled.
2. Enter acquisition settings using the **Conversion Mode** drop-down control and **Sample Rate** field. The **Channel** selector can be ignored since it has no effect during data recording.

3. Enter a path in the **Destination File** field. You can use the folder icon to browse for the file with a standard file dialog. If the file you enter cannot be opened or created, the record button will be disabled. If the path points to an existing file, the file will be overwritten when you activate recording.
4. Enter the number of ADC samples to record to the file. You can enter this in time duration or number of samples; the controls will update automatically to match. The number of samples is limited by available memory on the MMB0 to a minimum of 2048 samples and a maximum of approximately 2,700,00 points.
5. Click the **Record** button. You will see the **Samples Retrieved** bar graph increase. When it reaches the number of samples you selected, recording will stop and the record button will be turned off.

The data file is a comma-separated values (CSV) file containing comma-delimited decimal ADC values. The first data column is Channel 1 followed by Channel 2. The data file can be imported into a spreadsheet for future inspection and analysis.

## 4.2 Configuration

Sample rate and conversion mode are set to the same for both ADS1271 devices on the EVM.

The three ADS1271 conversion modes are selectable from the drop-down control, **Conversion Mode**.

The ADS1271 clock is generated by a PLL synthesizer on the MMB0. The synthesizer will generate a clock/data rate that is as close as possible to the requested frequency, but the data rate may be slightly different.

The data rate is limited for each of the possible device modes. For high-speed mode, the maximum data rate is approximately 105kSPS. For other modes, it is approximately 52.5kSPS. The application will automatically reduce the data rate to the maximum allowed for that mode that is selected.

## 5 ADS1271EVM Hardware Details

The ADS1271EVM is designed to easily interface with multiple control platforms. Dual-row, header/socket combinations of J1 and J2 allow connection to external circuitry for evaluation and debug.

### 5.1 Jumpers and Switches

The jumpers and switches functions are shown below in [Table 4](#)

**Table 4. Jumper and Switch Descriptions**

Jumper/Switch	Functions	Descriptions
J1	Analog inputs/external reference (primary)	Primary analog input/external reference connectors (from MMB0)
J2	Digital Interface signals	Serial Interface and GPIO signals (from MMB0)
J3	Power	Power supply connections (from MMB0)
J4	Analog inputs/external reference (aux)	Auxiliary analog input/external reference connector for U7
J5	Analog inputs/external reference (aux)	Auxiliary analog input/external reference connector for U7
J6	Power	Power selection and supply monitoring
J7	Format/Mode Selection	Connection of Format and Mode controls to ADCs
S1	Analog input to buffer	Selection of which analog signal header to connect to buffer, U5
S2	Analog input to buffer	Selection of which analog signal header to connect to buffer, U6
S3	U7 Reference selector	Select source of reference for U7
S4	U7 Analog Input selector	Select source of analog input for U7
S5	U8 Reference selector	Select source of reference for U8
S6	U8 Analog Input selector	Select source of analog input for U8
S7	Interface selector	Select interface type (FORMAT)

### 5.2 Analog Connections

#### 5.2.1 Analog Interface, J1, J4, and J5

The ADS1271EVM features several analog input options. Signals can be routed directly to the converters or can pass through the onboard buffer amplifiers (U5, U6). Signals can be applied to the board through the standard modular EVM analog connector (J1) or brought in through the auxiliary input connectors (J4, J5). A set of switches selects which analog connector source is used and whether the buffer amplifiers are in the signal path. These switches enable several configurations for evaluation. Switch operation and analog path configuration are described in [Section 5.2.2](#), [Table 6](#), and [Table 7](#).

For maximum flexibility, the ADS1271EVM is designed for easy interfacing to multiple analog sources. Samtec part numbers SSW-110-22-F-D-VS-K and TSM-110-01-T-DV-P provide a convenient 10-pin, dual-row, header/socket combination at J1. This header/socket provides access to the analog input pins of the ADS1271.

**Table 5. Analog Interface Pinout (J1)**

Pin Number	Signal	Description
J1.1	AIN0N	ADS1271 (U7) AINN
J1.2	AIN0P	ADS1271 (U7) AINP
J1.3	AIN1N	ADS1271 (U8) AINN
J1.4	AIN1P	ADS1271 (U8) AINP
J1.5	Unused	
J1.6	Unused	
J1.7	Unused	



**Table 5. Analog Interface Pinout (J1) (continued)**

Pin Number	Signal	Description
J1.8	Unused	
J1.15	Unused	
J1.18	REF(-)	External reference source low side
J1.20	REF(+)	External reference source input (2.5V NOM)
J1.9-J1.19 (odd)	GND	Analog ground connections (except J1.15)
J1.10-J1.16 (even)	Unused	

**Table 6. Auxiliary Analog Input 1 Pinout (J4)**

Pin Number	Signal	Description
J4.1	AUX1P	Auxiliary Signal Input 1 - Positive terminal
J4.2	AUX1N	Auxiliary Signal Input 1 - Negative terminal
J4.3	AUXREF1P	Auxiliary Reference Input 1 - Positive terminal
J4.4	AUXREF1N	Auxiliary Reference Input 1 - Negative terminal
J4.5	GND	Ground

**Table 7. Auxiliary Analog Input 2 Pinout (J5)**

Pin Number	Signal	Description
J5.1	AUX2P	Auxiliary Signal Input 2 - Positive terminal
J5.2	AUX2N	Auxiliary Signal Input 2 - Negative terminal
J5.3	AUXREF2P	Auxiliary Reference Input 2 - Positive terminal
J5.4	AUXREF2N	Auxiliary Reference Input 2 - Negative terminal
J5.5	GND	Ground

## 5.2.2 Analog Input Selection

The analog input signals can be routed directly to the two ADS1271s on the EVM or they can be routed through an optional buffer amplifier stage built around U5 or U6. Consult the [ADS1271 data sheet](#) to determine the maximum analog input range. [Table 8](#) summarizes the position of switches S1 and S2. S4 and S6 can be used to select the routing of the ADS1271 analog inputs as shown in [Table 9](#).

**Table 8. Buffer Amplifier Options - S1 and S2**

S1/S2 Position	Analog Inputs
Top	Input from J1
Middle	Input from J4/J5 auxiliary inputs
Bottom	No connection

**Table 9. ADC Analog Input Options - S4 and S6**

S4/S6 Position	Analog Inputs
Left	Input from Buffer Amplifier
Middle	Input from J1
Right	Input from J4/J5 auxiliary inputs

### 5.2.2.1 Buffer Amplifiers

The buffer amplifiers on this EVM are OPA1632s (U5, U6). These amplifiers are optimized for ac performance and are configured as fully-differential unity gain buffers. They require  $\pm 15V$  supplies, which are provided from J3 pins 1 and 2.

The [OPA1632](#) requires a common-mode voltage, which is provided on this EVM by U2 and U3. Some users may not wish to use the buffer amplifier section and provide the  $\pm 15V$  supplies. If the  $\pm 15V$  supplies are not connected, then having a voltage on the  $V_{OCM}$  pins of the amplifiers would exceed their maximum ratings. Thus, U2 and U3 provide a separate 2.5V reference for the buffer amplifier section rather than using the same reference as the ADS1271, which would always be powered. For this reason, U2 and U3 power is provided through a separate regulator, U11.

## 5.3 Digital Interface, J2

The ADS1271EVM is designed to easily interface with multiple control platforms. Samtec part numbers SSW-110-22-F-D-VS-K and TSM-110-01-T-DV-P provide a convenient 10-pin, dual-row, header/socket combination at J2. This header/socket provides access to the digital control and serial data pins of the ADS1271.

Because the ADS1271 devices are capable of daisy-chaining, this EVM has been designed to permit stacking; up to four EVMs can be stacked, allowing for eight devices to be placed in a signal chain. To accommodate stacking of EVMs, J2 has some different connections on the top and the bottom side of the board. Differences between top and bottom connectors are highlighted in [Table 10](#).

**Table 10. Digital Interface Pinout (J2)**

Pin Number	Signal	Description
J2.1	SYNC	Synchronization Control
J2.2	MODE0	0 = High-Speed Mode 1 = Low-Power Mode (In either case, only if Mode1=0)
J2.3	CLKX	CLKXMODE = 1: master clock output CLKXMODE = 0: no connection
J2.4	DGND	Digital ground
J2.5	SCLK	Serial Clock
J2.6	MODE1	0 = Mode determined by MODE0 1 = High-Resolution Mode
J2.7	Unused.	
J2.8	FSDIR	Indicates FSR direction: 0 = Output (DRDY in SPI™ mode) 1 = Input (FSYNC mode)
J2.9	Top: FSOUT Bottom: FSR	FSOUT: in FSYNC mode, copy of FSR; in SPI mode, not connected FSR: in FSYNC mode, frame-sync input; in SPI mode, DRDY output from U8
J2.10	DGND	Digital ground
J2.11	Unused	
J2.12	CLKRMODE	0 = Use CLKR for SPI Clock 1 = Use ADC Clock for SPI clock
J2.13	Top: DIN Bottom: DOUT	Top: Serial data input Bottom: Serial data output
J2.14	CLKXMODE	0 = CLKX is High Z 1 = CLKX outputs ADC master clock
J2.15	Unused	
J2.16	SCL	I <sup>2</sup> C™ bus serial clock
J2.17	EXTCLK	External ADC clock input
J2.18	DGND	Digital ground
J2.19	OBCLKSEL	Onboard Clock Select: High to select onboard clock instead of external clock.

**Table 10. Digital Interface Pinout (J2) (continued)**

Pin Number	Signal	Description
J2.20	SDA	I <sup>2</sup> C bus data line

## 5.4 Power Supplies, J3

J3 provides connection to the common power bus for the ADS1271EVM. Power is supplied on the pins listed in [Table 11](#).

**Table 11. Power Supply Pinout**

Signal	Pin Number		Signal
+VA (+15V to power buffer amplifier section)	1	2	-VA (-15V to power buffer amplifier section)
+5VA	3	4	Unused
DGND	5	6	AGND
+1.8VD	7	8	Unused
+3.3VD	9	10	+5VD

When power is supplied to J3, J6 allows for either 3.3V or 1.8V to be applied to the digital sections of the ADS1271. J6 also provides for a method of measuring AVDD and DVDD supply currents if the shunts on J6.1-2, J6.3-4, J6.5-6, and J6.7-8 are removed and a current meter is connected between the appropriate pins. See the schematic and printed circuit board silkscreen for details.

### 5.4.1 ADC Power

Power for the ADS1271 analog supply voltage (AVDD) comes from +5VA, which is supplied through J3.3. The shunt from J6 pins 1 to 2 applies this supply to the U7 ADS1271 device, while the shunt from J6 pins 5 to 6 applies this supply to the U8 ADS1271.

The ADS1271 digital supply voltage (DVDD) is selected using J6. When a shunt is applied from J6 pins 9 to 10, +1.8VD is selected, and this power comes from J3.7. If a shunt is placed from J6 pins 11 to 12 (the default factory setting), +3.3VD is selected, which is provided from J3.9. J6 pins 13 and 15 provide a means of connecting analog and digital grounds to the EVM; these grounds come from J3.6 and J3.5, respectively. These grounds are always connected together at the EVM.

#### CAUTION

Verify that all power supplies are within the safe operating limits shown on the [ADS1271 data sheet](#) before applying power to the EVM.

#### CAUTION

Note that a shunt should only be connected between J6 pins 9 and 10 *OR* pins 11 and 12, but never both; doing so would short the +3.3V supply to the +1.8V digital supply.

### 5.4.2 Stand-Alone Operation

When used as a stand-alone EVM, the analog power can be applied to J6.2 and J6.6, referenced to J6.13. DVDD can be applied to J6.4 and J6.8, referenced to J6.15.

## 5.5 Reference Voltage

The ADS1271 requires an external voltage reference. Two switches, S3 and S5, select the source of the reference for the two ADS1271s on the EVM. An external reference may be supplied through J1 pin 20 on the ADS1271EVM, or through J4 and J5, the auxiliary analog input connectors. A 2.5V reference is provided on the EVM for convenience. These different reference sources can be selected using S3 and S5, as shown in [Table 12](#).

### CAUTION

Verify that the external reference voltage is within the safe operating limits shown on the [ADS1271 data sheet](#) before applying power to the EVM.

**Table 12. Reference Selection Options - S3 and S5**

S3/S5 Position	Reference Inputs
Left	Onboard 2.5V reference
Middle	External Reference from J1.20 (REFP) referenced to J1.18 (REFN)
Right	S3: AUXREF1 from J4.3 referenced to J4.4 S5: AUXREF2 from J5.3 referenced to J5.4

## 5.6 Communication Modes

The ADS1271EVM has a digital routing network which can help simulate several possible system connections. The routing network also provides level-shifting, which allows the ADS1271 to be operated at any supported logic level regardless of the logic level used on J2. Note that you are not required to include this circuitry in your own designs; typically no glue logic is required to connect one or more ADS1271s to a processor.

### 5.6.1 Digital Signal Routing Control

Routing is controlled by pins CLKRMODE, CLKXMODE, and OBCLKSEL on J2.

#### 5.6.1.1 CLKR Routing

CLKRMODE controls the direction and connection of CLKR. When CLKRMODE is low, CLKR is an input connected only to SCLK. When CLKRMODE is high, CLKR becomes an output connected to SCLK, and SCLK is tied to CLK. This connection can be useful in both FSYNC and SPI modes.

A pull-down resistor is installed on CLKRMODE, making FSYNC mode the default setting.

**Table 13. CLKR Routing**

CLKRMODE	CLKR Direction	CLKR Connection to:
0 (Low)	Input	SCLK
1 (High)	Output	SCLK (SCLK tied to CLK)

#### 5.6.1.2 CLKX Routing

When CLKXMODE is high, CLKX is an output connected to CLK. This setting is primarily useful for certain configurations using the McBSP interface of various processors, where CLKX can be used as a reference clock input for the serial port. When CLKXMODE is low, CLKX on J2 is unconnected.

A pull-down resistor is installed on CLKXMODE, making low the default setting.

**Table 14. CLKX Routing**

CLKXMODE	CLKX Direction	CLX Connected to:
0 (Low)	Input	not connected
1 (High)	Output	CLK

### 5.6.1.3 OBCLKSEL Routing

OBCLKSEL selects between one of two master clock sources. When OBCLKSEL is high, the onboard clock is active and used for the master clock. When OBCLKSEL is low, the master clock is taken from EXTCLK on J2, and the onboard oscillator is disabled.

A pull-down resistor is installed on OBCLKSEL, making connection to an external clock the default setting.

**Table 15. OBCLKSEL**

OBCLKSEL	Master Clock is connected to:
0 (Low)	EXTCLK (J2.17)
1 (High)	On-board clock (U13)

### 5.6.2 ADS1271 Communication Modes

The ADS1271EVM supports both interface modes for the ADS1271. The interface mode is chosen using switch S7, located near the top-right corner of the EVM.

Depending of the communication mode, J2 pin 9 (FSR on the bottom connector and FSOUT on the top connector) connect to different signals (see [Table 16](#)).

In SPI mode, FSR is connected to DRDY output signal from the first ADC (U8), while the second ADC (U7) DRDY line is not connected. FSOUT is not connected.

In FSYNC mode, the FSYNC pins of both ADCs are tied together, and the signal on FSR is copied to the top connector on pin FSOUT.

**Table 16. J2 Pin 9 Routing**

J2 Pin 9	Communications Mode	ADC1 (U8)	ADC2 (U7)
FSOUT (Top side)	SPI Mode	Not connected	Not connected
	FSYNC Mode	FSYNC	FSYNC
FSR (Bottom side)	SPI Mode	DRDY	Not connected
	FSYNC Mode	FSYNC	FSYNC

These configurations provide th capability of stacking ADS1271EVMs in either mode. To stack EVMs, each EVM is required to operating in the same mode.

The MMB0 has the ability to determine the configuration of S7 by monitoring the FSDIR pin on J2. This pin is high when FSOUT is active and FSR is an input, and low when FSOUT is disconnected and FSR is an output.

## 5.7 Clock Source

The ADS1271 requires a clock signal for proper operation. Several options are available to source this clock signal to the ADC.

### 5.7.1 Onboard Oscillator

A 27MHz clock oscillator is included on the EVM and is selected as the clock source for the device when OBCLKSEL (J2.19) is high.

### 5.7.2 External Oscillator

When OBCLKSEL (J2.19) is low, an external clock source should be connected to J2.17. In this setting, the onboard clock oscillator is shut down.



## 6 EVM Bill of Materials and Schematic

Table 17 contains a complete bill of materials for the modular ADS1271EVM.

**Table 17. ADS1271EVM Bill of Materials**

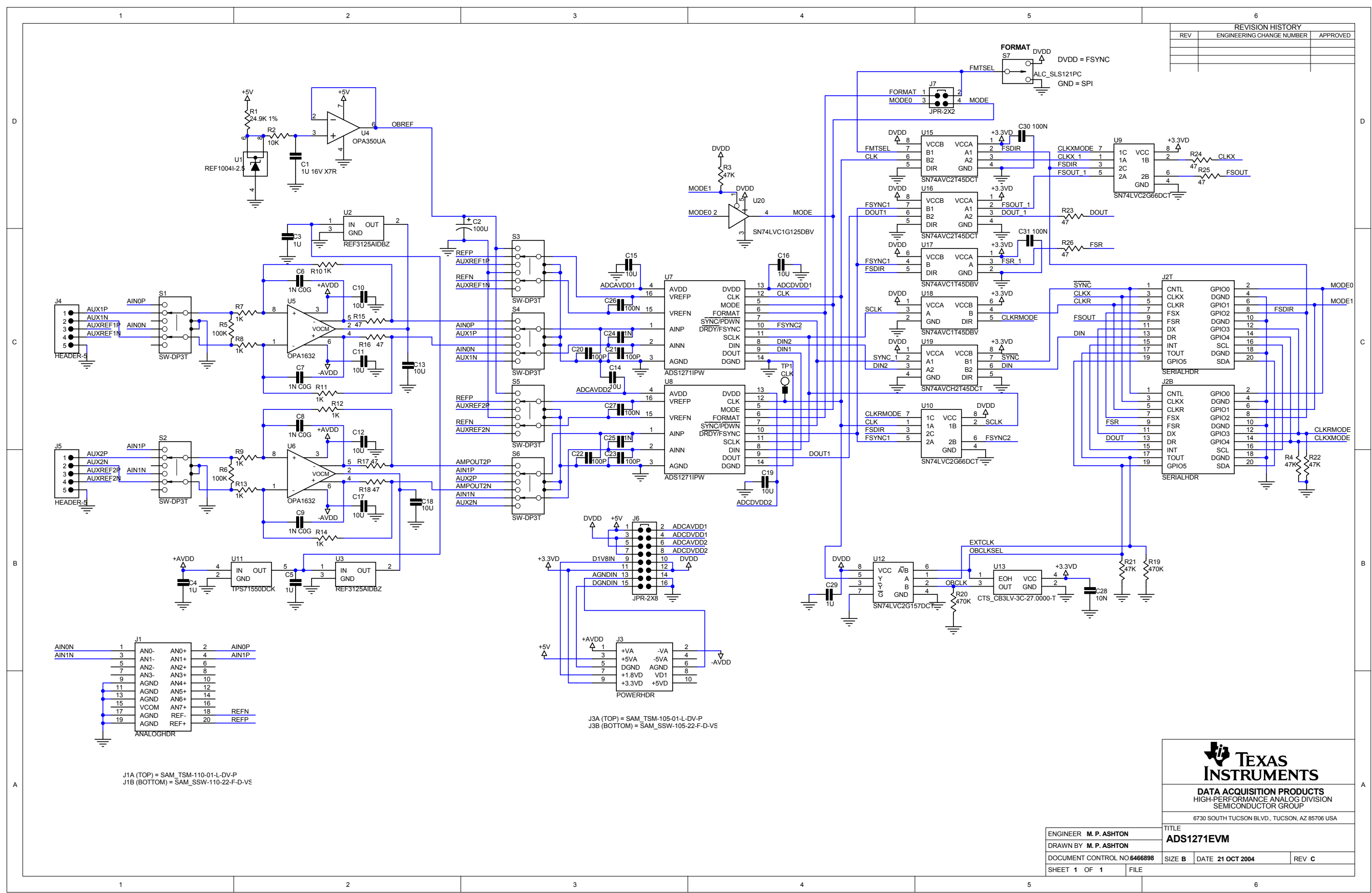
Item	Qty	Value	Ref Des	Description	MFR	Part number
1	1		N/A	ADS1271 EVM PWB	Texas Instruments	6466897
2	5	1uF	C1, C3-C5, C29	CAP CER 1UF 16V 10% X7R 0603	TDK	C1608X7R1C105K080AC
3	1	100uF	C2	CAP TANT 100UF 10V 20% 2917	Kemet	T520D107M010ATE055
4	6	1000pF	C6-C9, C24, C25	CAP CER 1000PF 50V 5% NP0 0603	TDK	C1608C0G1H102J080AA
8	4	10uF	C10-C12, C17	CAP CER 10UF 25V 20% X7R 1210	TDK	C3225X7R1E106M250AC
6	6	10uF	C13-C16, C18, C19	CAP CER 10UF 6.3V 20% X5R 0805	TDK	C2012X5R0J106M125AB
7	4	100pF	C20-C23	CAP CER 100PF 50V 5% NP0 0603	TDK	C1608C0G1H101J080AA
8	4	0.1uF	C26, C27, C30, C31	CAP CER 0.1UF 50V 10% X7R 0603	TDK	C1608X7R1H104K080AA
9	1	0.01uF	C28	CAP CER 10000PF 50V 10% X7R 0603	TDK	C1608X7R1H103K080AA
10	2		J1A, J2T	20 Pin SMT Plug	Samtec	TSM-110-01-L-DV-P
11	2		J1B, J2B	20 pin SMT Socket	Samtec	SSW-110-22-F-D-VS-K
12	1		J3A	10 Pin SMT Plug	Samtec	TSM-105-01-L-DV-P
13	1		J3B	10 pin SMT Socket	Samtec	SSW-105-22-F-D-VS-K
14	2		J4, J5	Terminal Strip, 5 pin (5x1), Right Angle	Samtec	TSW-105-08-L-S-RA
15	1		J6	Terminal Strip, 16-pin (8x2)	Samtec	TSW-108-07-L-D
16	1		J7	Terminal Strip, 4-pin (2x2)	Samtec	TSW-102-07-L-D
17	1	24.9K	R1	RES 24.9K OHM 1/10W 1% 0603 SMD	Panasonic	ERJ-3EKF2492V
18	1	10K	R2	RES 10K OHM 1/10W 5% 0603 SMD	Panasonic	ERJ-3GEYJ103V
19	4	47K	R3, R4, R21, R22	RES 47K OHM 1/10W 5% 0603 SMD	Panasonic	ERJ-3GEYJ473V
20	2	100K	R5, R6	RES 100K OHM 1/10W 5% 0603 SMD	Panasonic	ERJ-3GEYJ104V
21	8	1K	R7-R14	RES 1K OHM 1/10W 1% 0603 SMD	Panasonic	ERJ-3EKF1001V
22	8	47	R15-R18, R23-R26	RES 47 OHM 1/10W 5% 0603 SMD	Panasonic	ERJ-3GEYJ470V
23	2	470K	R19, R20	RES 470K OHM 1/10W 5% 0603 SMD	Panasonic	ERJ-3GEYJ474V
24	6		S1-S6	SWITCH SLIDE DP3T L=2MM 30V	E-Switch	EG2305A
25	1		S7	SWITCH SLIDE 2POS VERT BLK 125V	TE Connectivity	1825115-1
26	0		TP1			
27	1		U1	IC VREF SHUNT 2.5V 8SOIC	Texas Instruments	REF1004I-2.5
28	2		U2, U3	IC VREF SERIES 2.5V SOT23-3	Texas Instruments	REF3125AIDBZT
29	1		U4	IC OPAMP GP 38MHZ RRO 8SOIC	Texas Instruments	OPA350UA
30	2		U5, U6	IC OPAMP AUDIO 180MHZ 8MSOP	Texas Instruments	OPA1632DGN
31	2		U7, U8	IC ADC 24BIT 52.73K/105K 16TSSOP	Texas Instruments	ADS1271IPW
32	2		U9, U10	IC SWITCH DUAL 1X1 SM8	Texas Instruments	SN74LVC2G66DCT
33	1		U11	IC REG LDO 5V 50MA SC70-5	Texas Instruments	TPS71550DCKR
34	1		U12	IC 2-1LINE DATA SELECT/MUX SM8	Texas Instruments	SN74LVC2G157DCTR
35 <sup>(1)</sup>	1	27MHz	U13	OSC XO 27.000MHZ HCMOS TTL SMD	CTS	CB3LV-5I-27M0000
				OSC XO 27.000MHZ CMOS TTL SMD	CITIZEN	CSX750FBC27.000MT
				OSCILLATOR CMOS PROG 3.3V OE SMD	EPSON	SG-8002CA-PCB
36	2		U15, U16	IC BUS TXRX TRI-ST 2BIT SM8	Texas Instruments	SN74AVC2T45DCTR
37	2		U17, U18	IC BUS TRANSCVR TRI-ST SOT23-6	Texas Instruments	SN74AVC1T45DBVR
38	1		U19	IC BUS TRANSCVR TRI-ST 2B SM8	Texas Instruments	SN74AVCH2T45DCTR
39	1		U20	IC BUS BUFF TRI-ST N-INV SOT23-5	Texas Instruments	SN74LVC1G125DBVR
40	9		N/A	SHUNT JUMPER .1" BLACK GOLD	3M	969102-0000-DA

<sup>(1)</sup> **NOTE:** Any of these part numbers is acceptable for Item # 35

## **6.1 ADS1271EVM Schematic**

The schematic diagram is provided as a reference.

REVISION HISTORY		
REV	ENGINEERING CHANGE NUMBER	APPROVED



J1A (TOP) = SAM\_TSM-110-01-L-DV-P  
 J1B (BOTTOM) = SAM\_SSW-110-22-F-D-VS

J3A (TOP) = SAM\_TSM-105-01-L-DV-P  
 J3B (BOTTOM) = SAM\_SSW-105-22-F-D-VS

**TEXAS INSTRUMENTS**  
 DATA ACQUISITION PRODUCTS  
 HIGH-PERFORMANCE ANALOG DIVISION  
 SEMICONDUCTOR GROUP  
 8730 SOUTH TUCSON BLVD., TUCSON, AZ 85706 USA

ENGINEER	M. P. ASHTON	TITLE	ADS1271EVM
DRAWN BY	M. P. ASHTON	SIZE	B
DOCUMENT CONTROL NO.	6466898	DATE	21 OCT 2004
SHEET 1 OF 1	FILE	REV	C

---

## Revision History

<b>Changes from B Revision (February 2008) to C Revision</b>	<b>Page</b>
• Added front page picture. ....	1
• Added Quick Start section. ....	3
• Changed setup steps for clarification. ....	4
• Added note to explain operating system limitations. ....	4
• Added Critical Connections table to consolidate connection information. ....	5
• Changed Sections 4 and 5 organization for clarity. ....	6
• Changed text to indicated minimum and maximum number of points for collection ....	7
• Changed BOM to reflect latest hardware values. ....	15

---

NOTE: Page numbers for previous revisions may differ from page numbers in the current version.

## STANDARD TERMS AND CONDITIONS FOR EVALUATION MODULES

1. *Delivery:* TI delivers TI evaluation boards, kits, or modules, including any accompanying demonstration software, components, or documentation (collectively, an "EVM" or "EVMs") to the User ("User") in accordance with the terms and conditions set forth herein. Acceptance of the EVM is expressly subject to the following terms and conditions.
  - 1.1 EVMs are intended solely for product or software developers for use in a research and development setting to facilitate feasibility evaluation, experimentation, or scientific analysis of TI semiconductor products. EVMs have no direct function and are not finished products. EVMs shall not be directly or indirectly assembled as a part or subassembly in any finished product. For clarification, any software or software tools provided with the EVM ("Software") shall not be subject to the terms and conditions set forth herein but rather shall be subject to the applicable terms and conditions that accompany such Software
  - 1.2 EVMs are not intended for consumer or household use. EVMs may not be sold, sublicensed, leased, rented, loaned, assigned, or otherwise distributed for commercial purposes by Users, in whole or in part, or used in any finished product or production system.
2. *Limited Warranty and Related Remedies/Disclaimers:*
  - 2.1 These terms and conditions do not apply to Software. The warranty, if any, for Software is covered in the applicable Software License Agreement.
  - 2.2 TI warrants that the TI EVM will conform to TI's published specifications for ninety (90) days after the date TI delivers such EVM to User. Notwithstanding the foregoing, TI shall not be liable for any defects that are caused by neglect, misuse or mistreatment by an entity other than TI, including improper installation or testing, or for any EVMs that have been altered or modified in any way by an entity other than TI. Moreover, TI shall not be liable for any defects that result from User's design, specifications or instructions for such EVMs. Testing and other quality control techniques are used to the extent TI deems necessary or as mandated by government requirements. TI does not test all parameters of each EVM.
  - 2.3 If any EVM fails to conform to the warranty set forth above, TI's sole liability shall be at its option to repair or replace such EVM, or credit User's account for such EVM. TI's liability under this warranty shall be limited to EVMs that are returned during the warranty period to the address designated by TI and that are determined by TI not to conform to such warranty. If TI elects to repair or replace such EVM, TI shall have a reasonable time to repair such EVM or provide replacements. Repaired EVMs shall be warranted for the remainder of the original warranty period. Replaced EVMs shall be warranted for a new full ninety (90) day warranty period.
3. *Regulatory Notices:*
  - 3.1 *United States*
    - 3.1.1 *Notice applicable to EVMs not FCC-Approved:*

This kit is designed to allow product developers to evaluate electronic components, circuitry, or software associated with the kit to determine whether to incorporate such items in a finished product and software developers to write software applications for use with the end product. This kit is not a finished product and when assembled may not be resold or otherwise marketed unless all required FCC equipment authorizations are first obtained. Operation is subject to the condition that this product not cause harmful interference to licensed radio stations and that this product accept harmful interference. Unless the assembled kit is designed to operate under part 15, part 18 or part 95 of this chapter, the operator of the kit must operate under the authority of an FCC license holder or must secure an experimental authorization under part 5 of this chapter.
    - 3.1.2 *For EVMs annotated as FCC – FEDERAL COMMUNICATIONS COMMISSION Part 15 Compliant:*

### CAUTION

This device complies with part 15 of the FCC Rules. Operation is subject to the following two conditions: (1) This device may not cause harmful interference, and (2) this device must accept any interference received, including interference that may cause undesired operation.

Changes or modifications not expressly approved by the party responsible for compliance could void the user's authority to operate the equipment.

### FCC Interference Statement for Class A EVM devices

*NOTE: This equipment has been tested and found to comply with the limits for a Class A digital device, pursuant to part 15 of the FCC Rules. These limits are designed to provide reasonable protection against harmful interference when the equipment is operated in a commercial environment. This equipment generates, uses, and can radiate radio frequency energy and, if not installed and used in accordance with the instruction manual, may cause harmful interference to radio communications. Operation of this equipment in a residential area is likely to cause harmful interference in which case the user will be required to correct the interference at his own expense.*

## FCC Interference Statement for Class B EVM devices

*NOTE: This equipment has been tested and found to comply with the limits for a Class B digital device, pursuant to part 15 of the FCC Rules. These limits are designed to provide reasonable protection against harmful interference in a residential installation. This equipment generates, uses and can radiate radio frequency energy and, if not installed and used in accordance with the instructions, may cause harmful interference to radio communications. However, there is no guarantee that interference will not occur in a particular installation. If this equipment does cause harmful interference to radio or television reception, which can be determined by turning the equipment off and on, the user is encouraged to try to correct the interference by one or more of the following measures:*

- Reorient or relocate the receiving antenna.
- Increase the separation between the equipment and receiver.
- Connect the equipment into an outlet on a circuit different from that to which the receiver is connected.
- Consult the dealer or an experienced radio/TV technician for help.

### 3.2 Canada

3.2.1 For EVMs issued with an Industry Canada Certificate of Conformance to RSS-210

#### Concerning EVMs Including Radio Transmitters:

This device complies with Industry Canada license-exempt RSS standard(s). Operation is subject to the following two conditions: (1) this device may not cause interference, and (2) this device must accept any interference, including interference that may cause undesired operation of the device.

#### Concernant les EVMs avec appareils radio:

Le présent appareil est conforme aux CNR d'Industrie Canada applicables aux appareils radio exempts de licence. L'exploitation est autorisée aux deux conditions suivantes: (1) l'appareil ne doit pas produire de brouillage, et (2) l'utilisateur de l'appareil doit accepter tout brouillage radioélectrique subi, même si le brouillage est susceptible d'en compromettre le fonctionnement.

#### Concerning EVMs Including Detachable Antennas:

Under Industry Canada regulations, this radio transmitter may only operate using an antenna of a type and maximum (or lesser) gain approved for the transmitter by Industry Canada. To reduce potential radio interference to other users, the antenna type and its gain should be so chosen that the equivalent isotropically radiated power (e.i.r.p.) is not more than that necessary for successful communication. This radio transmitter has been approved by Industry Canada to operate with the antenna types listed in the user guide with the maximum permissible gain and required antenna impedance for each antenna type indicated. Antenna types not included in this list, having a gain greater than the maximum gain indicated for that type, are strictly prohibited for use with this device.

#### Concernant les EVMs avec antennes détachables

Conformément à la réglementation d'Industrie Canada, le présent émetteur radio peut fonctionner avec une antenne d'un type et d'un gain maximal (ou inférieur) approuvé pour l'émetteur par Industrie Canada. Dans le but de réduire les risques de brouillage radioélectrique à l'intention des autres utilisateurs, il faut choisir le type d'antenne et son gain de sorte que la puissance isotrope rayonnée équivalente (p.i.r.e.) ne dépasse pas l'intensité nécessaire à l'établissement d'une communication satisfaisante. Le présent émetteur radio a été approuvé par Industrie Canada pour fonctionner avec les types d'antenne énumérés dans le manuel d'usage et ayant un gain admissible maximal et l'impédance requise pour chaque type d'antenne. Les types d'antenne non inclus dans cette liste, ou dont le gain est supérieur au gain maximal indiqué, sont strictement interdits pour l'exploitation de l'émetteur.

### 3.3 Japan

3.3.1 *Notice for EVMs delivered in Japan:* Please see [http://www.tij.co.jp/lstds/ti\\_ja/general/eStore/notice\\_01.page](http://www.tij.co.jp/lstds/ti_ja/general/eStore/notice_01.page) 日本国内に輸入される評価用キット、ボードについては、次のところをご覧ください。  
[http://www.tij.co.jp/lstds/ti\\_ja/general/eStore/notice\\_01.page](http://www.tij.co.jp/lstds/ti_ja/general/eStore/notice_01.page)

3.3.2 *Notice for Users of EVMs Considered "Radio Frequency Products" in Japan:* EVMs entering Japan are NOT certified by TI as conforming to Technical Regulations of Radio Law of Japan.

If User uses EVMs in Japan, User is required by Radio Law of Japan to follow the instructions below with respect to EVMs:

1. Use EVMs in a shielded room or any other test facility as defined in the notification #173 issued by Ministry of Internal Affairs and Communications on March 28, 2006, based on Sub-section 1.1 of Article 6 of the Ministry's Rule for Enforcement of Radio Law of Japan,
2. Use EVMs only after User obtains the license of Test Radio Station as provided in Radio Law of Japan with respect to EVMs, or
3. Use of EVMs only after User obtains the Technical Regulations Conformity Certification as provided in Radio Law of Japan with respect to EVMs. Also, do not transfer EVMs, unless User gives the same notice above to the transferee. Please note that if User does not follow the instructions above, User will be subject to penalties of Radio Law of Japan.



**【無線電波を送信する製品の開発キットをお使いになる際の注意事項】**

本開発キットは技術基準適合証明を受けておりません。

本製品のご使用に際しては、電波法遵守のため、以下のいずれかの措置を取っていただく必要がありますのでご注意ください。

1. 電波法施行規則第6条第1項第1号に基づく平成18年3月28日総務省告示第173号で定められた電波暗室等の試験設備でご使用いただく。
2. 実験局の免許を取得後ご使用いただく。
3. 技術基準適合証明を取得後ご使用いただく。

なお、本製品は、上記の「ご使用にあたっての注意」を譲渡先、移転先に通知しない限り、譲渡、移転できないものとします。

上記を遵守頂けない場合は、電波法の罰則が適用される可能性があることをご留意ください。

日本テキサス・インスツルメンツ株式会社

東京都新宿区西新宿 6 丁目 2 4 番 1 号

西新宿三井ビル

3.3.3 *Notice for EVMs for Power Line Communication:* Please see [http://www.tij.co.jp/llds/ti\\_ja/general/eStore/notice\\_02.page](http://www.tij.co.jp/llds/ti_ja/general/eStore/notice_02.page)

電力線搬送波通信についての開発キットをお使いになる際の注意事項については、次のところをご覧ください。[http://www.tij.co.jp/llds/ti\\_ja/general/eStore/notice\\_02.page](http://www.tij.co.jp/llds/ti_ja/general/eStore/notice_02.page)

4 *EVM Use Restrictions and Warnings:*

4.1 EVMS ARE NOT FOR USE IN FUNCTIONAL SAFETY AND/OR SAFETY CRITICAL EVALUATIONS, INCLUDING BUT NOT LIMITED TO EVALUATIONS OF LIFE SUPPORT APPLICATIONS.

4.2 User must read and apply the user guide and other available documentation provided by TI regarding the EVM prior to handling or using the EVM, including without limitation any warning or restriction notices. The notices contain important safety information related to, for example, temperatures and voltages.

4.3 *Safety-Related Warnings and Restrictions:*

4.3.1 User shall operate the EVM within TI's recommended specifications and environmental considerations stated in the user guide, other available documentation provided by TI, and any other applicable requirements and employ reasonable and customary safeguards. Exceeding the specified performance ratings and specifications (including but not limited to input and output voltage, current, power, and environmental ranges) for the EVM may cause personal injury or death, or property damage. If there are questions concerning performance ratings and specifications, User should contact a TI field representative prior to connecting interface electronics including input power and intended loads. Any loads applied outside of the specified output range may also result in unintended and/or inaccurate operation and/or possible permanent damage to the EVM and/or interface electronics. Please consult the EVM user guide prior to connecting any load to the EVM output. If there is uncertainty as to the load specification, please contact a TI field representative. During normal operation, even with the inputs and outputs kept within the specified allowable ranges, some circuit components may have elevated case temperatures. These components include but are not limited to linear regulators, switching transistors, pass transistors, current sense resistors, and heat sinks, which can be identified using the information in the associated documentation. When working with the EVM, please be aware that the EVM may become very warm.

4.3.2 EVMs are intended solely for use by technically qualified, professional electronics experts who are familiar with the dangers and application risks associated with handling electrical mechanical components, systems, and subsystems. User assumes all responsibility and liability for proper and safe handling and use of the EVM by User or its employees, affiliates, contractors or designees. User assumes all responsibility and liability to ensure that any interfaces (electronic and/or mechanical) between the EVM and any human body are designed with suitable isolation and means to safely limit accessible leakage currents to minimize the risk of electrical shock hazard. User assumes all responsibility and liability for any improper or unsafe handling or use of the EVM by User or its employees, affiliates, contractors or designees.

4.4 User assumes all responsibility and liability to determine whether the EVM is subject to any applicable international, federal, state, or local laws and regulations related to User's handling and use of the EVM and, if applicable, User assumes all responsibility and liability for compliance in all respects with such laws and regulations. User assumes all responsibility and liability for proper disposal and recycling of the EVM consistent with all applicable international, federal, state, and local requirements.

5. *Accuracy of Information:* To the extent TI provides information on the availability and function of EVMs, TI attempts to be as accurate as possible. However, TI does not warrant the accuracy of EVM descriptions, EVM availability or other information on its websites as accurate, complete, reliable, current, or error-free.

6. *Disclaimers:*
- 6.1 EXCEPT AS SET FORTH ABOVE, EVMS AND ANY WRITTEN DESIGN MATERIALS PROVIDED WITH THE EVM (AND THE DESIGN OF THE EVM ITSELF) ARE PROVIDED "AS IS" AND "WITH ALL FAULTS." TI DISCLAIMS ALL OTHER WARRANTIES, EXPRESS OR IMPLIED, REGARDING SUCH ITEMS, INCLUDING BUT NOT LIMITED TO ANY IMPLIED WARRANTIES OF MERCHANTABILITY OR FITNESS FOR A PARTICULAR PURPOSE OR NON-INFRINGEMENT OF ANY THIRD PARTY PATENTS, COPYRIGHTS, TRADE SECRETS OR OTHER INTELLECTUAL PROPERTY RIGHTS.
- 6.2 EXCEPT FOR THE LIMITED RIGHT TO USE THE EVM SET FORTH HEREIN, NOTHING IN THESE TERMS AND CONDITIONS SHALL BE CONSTRUED AS GRANTING OR CONFERRING ANY RIGHTS BY LICENSE, PATENT, OR ANY OTHER INDUSTRIAL OR INTELLECTUAL PROPERTY RIGHT OF TI, ITS SUPPLIERS/LICENSORS OR ANY OTHER THIRD PARTY, TO USE THE EVM IN ANY FINISHED END-USER OR READY-TO-USE FINAL PRODUCT, OR FOR ANY INVENTION, DISCOVERY OR IMPROVEMENT MADE, CONCEIVED OR ACQUIRED PRIOR TO OR AFTER DELIVERY OF THE EVM.
7. *USER'S INDEMNITY OBLIGATIONS AND REPRESENTATIONS.* USER WILL DEFEND, INDEMNIFY AND HOLD TI, ITS LICENSORS AND THEIR REPRESENTATIVES HARMLESS FROM AND AGAINST ANY AND ALL CLAIMS, DAMAGES, LOSSES, EXPENSES, COSTS AND LIABILITIES (COLLECTIVELY, "CLAIMS") ARISING OUT OF OR IN CONNECTION WITH ANY HANDLING OR USE OF THE EVM THAT IS NOT IN ACCORDANCE WITH THESE TERMS AND CONDITIONS. THIS OBLIGATION SHALL APPLY WHETHER CLAIMS ARISE UNDER STATUTE, REGULATION, OR THE LAW OF TORT, CONTRACT OR ANY OTHER LEGAL THEORY, AND EVEN IF THE EVM FAILS TO PERFORM AS DESCRIBED OR EXPECTED.
8. *Limitations on Damages and Liability:*
- 8.1 *General Limitations.* IN NO EVENT SHALL TI BE LIABLE FOR ANY SPECIAL, COLLATERAL, INDIRECT, PUNITIVE, INCIDENTAL, CONSEQUENTIAL, OR EXEMPLARY DAMAGES IN CONNECTION WITH OR ARISING OUT OF THESE TERMS AND CONDITIONS OR THE USE OF THE EVMS PROVIDED HEREUNDER, REGARDLESS OF WHETHER TI HAS BEEN ADVISED OF THE POSSIBILITY OF SUCH DAMAGES. EXCLUDED DAMAGES INCLUDE, BUT ARE NOT LIMITED TO, COST OF REMOVAL OR REINSTALLATION, ANCILLARY COSTS TO THE PROCUREMENT OF SUBSTITUTE GOODS OR SERVICES, RETESTING, OUTSIDE COMPUTER TIME, LABOR COSTS, LOSS OF GOODWILL, LOSS OF PROFITS, LOSS OF SAVINGS, LOSS OF USE, LOSS OF DATA, OR BUSINESS INTERRUPTION. NO CLAIM, SUIT OR ACTION SHALL BE BROUGHT AGAINST TI MORE THAN ONE YEAR AFTER THE RELATED CAUSE OF ACTION HAS OCCURRED.
- 8.2 *Specific Limitations.* IN NO EVENT SHALL TI'S AGGREGATE LIABILITY FROM ANY WARRANTY OR OTHER OBLIGATION ARISING OUT OF OR IN CONNECTION WITH THESE TERMS AND CONDITIONS, OR ANY USE OF ANY TI EVM PROVIDED HEREUNDER, EXCEED THE TOTAL AMOUNT PAID TO TI FOR THE PARTICULAR UNITS SOLD UNDER THESE TERMS AND CONDITIONS WITH RESPECT TO WHICH LOSSES OR DAMAGES ARE CLAIMED. THE EXISTENCE OF MORE THAN ONE CLAIM AGAINST THE PARTICULAR UNITS SOLD TO USER UNDER THESE TERMS AND CONDITIONS SHALL NOT ENLARGE OR EXTEND THIS LIMIT.
9. *Return Policy.* Except as otherwise provided, TI does not offer any refunds, returns, or exchanges. Furthermore, no return of EVM(s) will be accepted if the package has been opened and no return of the EVM(s) will be accepted if they are damaged or otherwise not in a resalable condition. If User feels it has been incorrectly charged for the EVM(s) it ordered or that delivery violates the applicable order, User should contact TI. All refunds will be made in full within thirty (30) working days from the return of the components(s), excluding any postage or packaging costs.
10. *Governing Law:* These terms and conditions shall be governed by and interpreted in accordance with the laws of the State of Texas, without reference to conflict-of-laws principles. User agrees that non-exclusive jurisdiction for any dispute arising out of or relating to these terms and conditions lies within courts located in the State of Texas and consents to venue in Dallas County, Texas. Notwithstanding the foregoing, any judgment may be enforced in any United States or foreign court, and TI may seek injunctive relief in any United States or foreign court.

Mailing Address: Texas Instruments, Post Office Box 655303, Dallas, Texas 75265  
Copyright © 2014, Texas Instruments Incorporated

## IMPORTANT NOTICE

Texas Instruments Incorporated and its subsidiaries (TI) reserve the right to make corrections, enhancements, improvements and other changes to its semiconductor products and services per JESD46, latest issue, and to discontinue any product or service per JESD48, latest issue. Buyers should obtain the latest relevant information before placing orders and should verify that such information is current and complete. All semiconductor products (also referred to herein as "components") are sold subject to TI's terms and conditions of sale supplied at the time of order acknowledgment.

TI warrants performance of its components to the specifications applicable at the time of sale, in accordance with the warranty in TI's terms and conditions of sale of semiconductor products. Testing and other quality control techniques are used to the extent TI deems necessary to support this warranty. Except where mandated by applicable law, testing of all parameters of each component is not necessarily performed.

TI assumes no liability for applications assistance or the design of Buyers' products. Buyers are responsible for their products and applications using TI components. To minimize the risks associated with Buyers' products and applications, Buyers should provide adequate design and operating safeguards.

TI does not warrant or represent that any license, either express or implied, is granted under any patent right, copyright, mask work right, or other intellectual property right relating to any combination, machine, or process in which TI components or services are used. Information published by TI regarding third-party products or services does not constitute a license to use such products or services or a warranty or endorsement thereof. Use of such information may require a license from a third party under the patents or other intellectual property of the third party, or a license from TI under the patents or other intellectual property of TI.

Reproduction of significant portions of TI information in TI data books or data sheets is permissible only if reproduction is without alteration and is accompanied by all associated warranties, conditions, limitations, and notices. TI is not responsible or liable for such altered documentation. Information of third parties may be subject to additional restrictions.

Resale of TI components or services with statements different from or beyond the parameters stated by TI for that component or service voids all express and any implied warranties for the associated TI component or service and is an unfair and deceptive business practice. TI is not responsible or liable for any such statements.

Buyer acknowledges and agrees that it is solely responsible for compliance with all legal, regulatory and safety-related requirements concerning its products, and any use of TI components in its applications, notwithstanding any applications-related information or support that may be provided by TI. Buyer represents and agrees that it has all the necessary expertise to create and implement safeguards which anticipate dangerous consequences of failures, monitor failures and their consequences, lessen the likelihood of failures that might cause harm and take appropriate remedial actions. Buyer will fully indemnify TI and its representatives against any damages arising out of the use of any TI components in safety-critical applications.

In some cases, TI components may be promoted specifically to facilitate safety-related applications. With such components, TI's goal is to help enable customers to design and create their own end-product solutions that meet applicable functional safety standards and requirements. Nonetheless, such components are subject to these terms.

No TI components are authorized for use in FDA Class III (or similar life-critical medical equipment) unless authorized officers of the parties have executed a special agreement specifically governing such use.

Only those TI components which TI has specifically designated as military grade or "enhanced plastic" are designed and intended for use in military/aerospace applications or environments. Buyer acknowledges and agrees that any military or aerospace use of TI components which have **not** been so designated is solely at the Buyer's risk, and that Buyer is solely responsible for compliance with all legal and regulatory requirements in connection with such use.

TI has specifically designated certain components as meeting ISO/TS16949 requirements, mainly for automotive use. In any case of use of non-designated products, TI will not be responsible for any failure to meet ISO/TS16949.

### Products

Audio	<a href="http://www.ti.com/audio">www.ti.com/audio</a>
Amplifiers	<a href="http://amplifier.ti.com">amplifier.ti.com</a>
Data Converters	<a href="http://dataconverter.ti.com">dataconverter.ti.com</a>
DLP® Products	<a href="http://www.dlp.com">www.dlp.com</a>
DSP	<a href="http://dsp.ti.com">dsp.ti.com</a>
Clocks and Timers	<a href="http://www.ti.com/clocks">www.ti.com/clocks</a>
Interface	<a href="http://interface.ti.com">interface.ti.com</a>
Logic	<a href="http://logic.ti.com">logic.ti.com</a>
Power Mgmt	<a href="http://power.ti.com">power.ti.com</a>
Microcontrollers	<a href="http://microcontroller.ti.com">microcontroller.ti.com</a>
RFID	<a href="http://www.ti-rfid.com">www.ti-rfid.com</a>
OMAP Applications Processors	<a href="http://www.ti.com/omap">www.ti.com/omap</a>
Wireless Connectivity	<a href="http://www.ti.com/wirelessconnectivity">www.ti.com/wirelessconnectivity</a>

### Applications

Automotive and Transportation	<a href="http://www.ti.com/automotive">www.ti.com/automotive</a>
Communications and Telecom	<a href="http://www.ti.com/communications">www.ti.com/communications</a>
Computers and Peripherals	<a href="http://www.ti.com/computers">www.ti.com/computers</a>
Consumer Electronics	<a href="http://www.ti.com/consumer-apps">www.ti.com/consumer-apps</a>
Energy and Lighting	<a href="http://www.ti.com/energy">www.ti.com/energy</a>
Industrial	<a href="http://www.ti.com/industrial">www.ti.com/industrial</a>
Medical	<a href="http://www.ti.com/medical">www.ti.com/medical</a>
Security	<a href="http://www.ti.com/security">www.ti.com/security</a>
Space, Avionics and Defense	<a href="http://www.ti.com/space-avionics-defense">www.ti.com/space-avionics-defense</a>
Video and Imaging	<a href="http://www.ti.com/video">www.ti.com/video</a>

### TI E2E Community

[e2e.ti.com](http://e2e.ti.com)