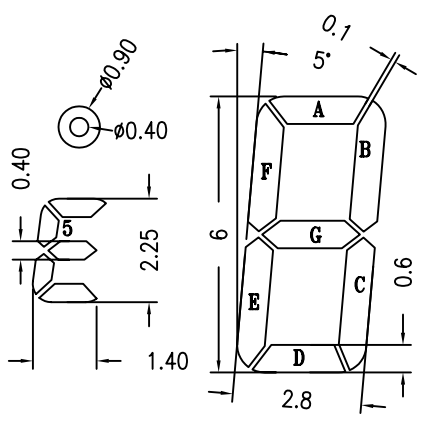
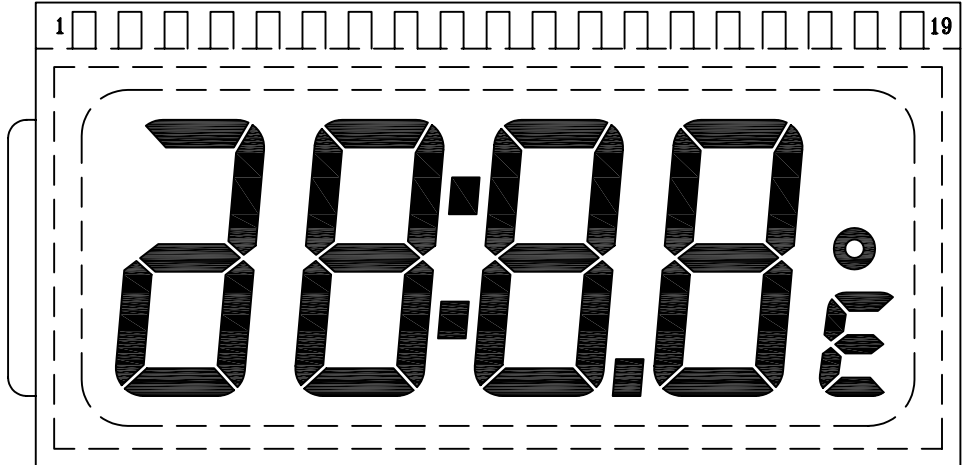


PIN	Ø1	Ø2	Ø3	Ø4	Ø5	Ø6	Ø7	Ø8	Ø9	10	11	12	13	14	15	16	17	18	19
COM1	/	D1	G1	/	D2	E2	G2	C2	D4	E3	G3	C3	D3	E4	G4	C4	/	D5	COM1
COM2	COM2	E1	A1	B1	C1	F2	A2	B2	COL	F3	A3	B3	P1	F4	A4	B4	⊙AEF5	G5	/



NOTES:

- |                       |                     |                       |             |
|-----------------------|---------------------|-----------------------|-------------|
| 1. DISPLAY TYPE:      | TN                  | 5. OPERATING VOLTAGE: | 3.0 V       |
| 2. VIEWING DIRECTION: | 6:00                | 6. OPERATING TEMP:    | -20~70°C    |
| 3. POLARIZER MODE:    | POSITIVE/REFLECTIVE | 7. STORAGE TEMP:      | -30~80°C    |
| 4. DRIVER METHOD:     | 1/2 DUTY 1/2 BIAS   | 8. CONNECTOR:         | WITHOUT PIN |