

Keywords: DS75, temp sensor, temp sensors, temperature sensor, temperature sensors

APPLICATION NOTE 3268

DS75 2-Wire Communication SDA Hold Time Clarification

Jul 07, 2004

Abstract: The 2-wire timing specification of the DS75 differs from I²C. This application note details the difference. SDA is not held internally by the DS75. It is the bus master's responsibility to hold SDA until after the falling edge of SCL is completed.

Introduction

This application note details the difference between DS75 communication timing and the I²C specification. Under I²C, the SCL and SDA lines are allowed to transition simultaneously because SDA is delayed internally by the slave device for at least 300ns. The DS75 does not delay the SDA signal with respect to SCL therefore SDA must be held in the proper logic state by the bus master until SCL has fully transitioned to logic low to prevent false generation of START or STOP operations.

Proper Timing

The DS75's SDA line does not have an internal delay relative to SCL. For this reason the SDA logic level must be held external to the DS75 until SCL has transitioned to logic low when writing data; otherwise a start or stop condition may be recognized instead. When writing a logic "1" on the 2-wire bus, SCL must reach the guaranteed logic low threshold V_{IL} ($0.3 \times V_{DD}$ maximum) before SDA transitions below the guaranteed logic high threshold V_{IH} ($0.7 \times V_{DD}$ minimum). When writing a logic "0", SCL must reach V_{IL} before SDA transitions above V_{IL} . When generating a START condition, SDA must reach V_{IL} before SCL transitions below V_{IH} . When generating a STOP condition, SDA must reach V_{IH} before SCL transitions below V_{IH} . Both V_{IL} and V_{IH} levels are production tested on each device. This guarantees proper operation using this timing over the full voltage and temperature ranges including device fabrication tolerances.

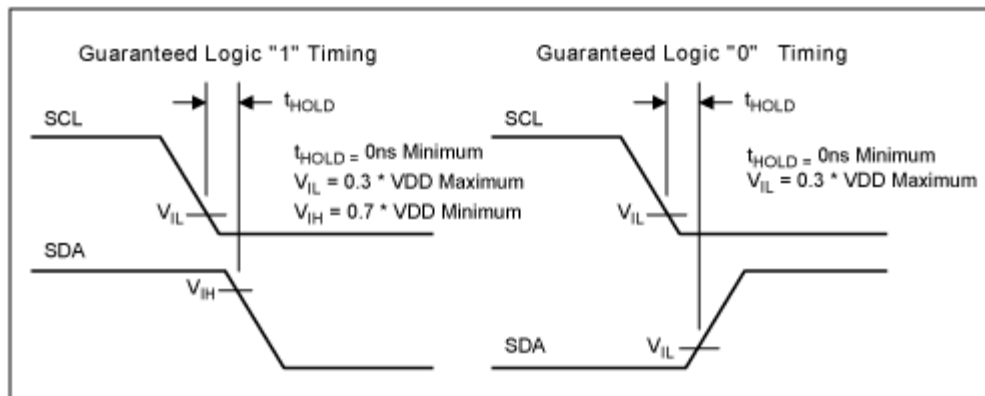


Figure 1.

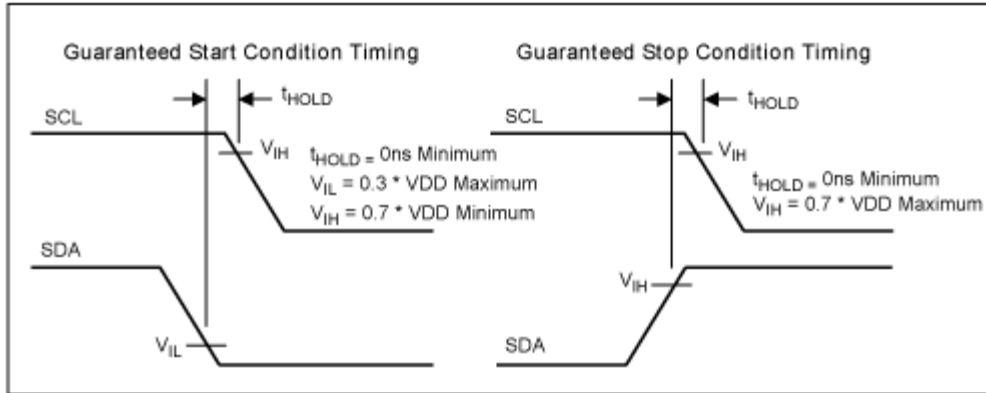


Figure 2.

Summary

There is a difference between the DS75 timing and I²C specifications. The DS75 does not internally delay SDA with respect to SCL. The system host is therefore required to maintain SDA during the falling edge of SCL to prevent logic '1's from being interpreted as START conditions and logic '0's from being interpreted as STOP conditions.

Related Parts

[DS75](#)

Digital Thermometer and Thermostat

[Free Samples](#)

More Information

For Technical Support: <http://www.maximintegrated.com/support>

For Samples: <http://www.maximintegrated.com/samples>

Other Questions and Comments: <http://www.maximintegrated.com/contact>

Application Note 3268: <http://www.maximintegrated.com/an3268>

APPLICATION NOTE 3268, AN3268, AN 3268, APP3268, Appnote3268, Appnote 3268

Copyright © by Maxim Integrated Products

Additional Legal Notices: <http://www.maximintegrated.com/legal>