

STEVAL_ISA164V1

Schematic diagrams

Figure 1: STEVAL-ISA164V1 circuit schematic (1 of 5)

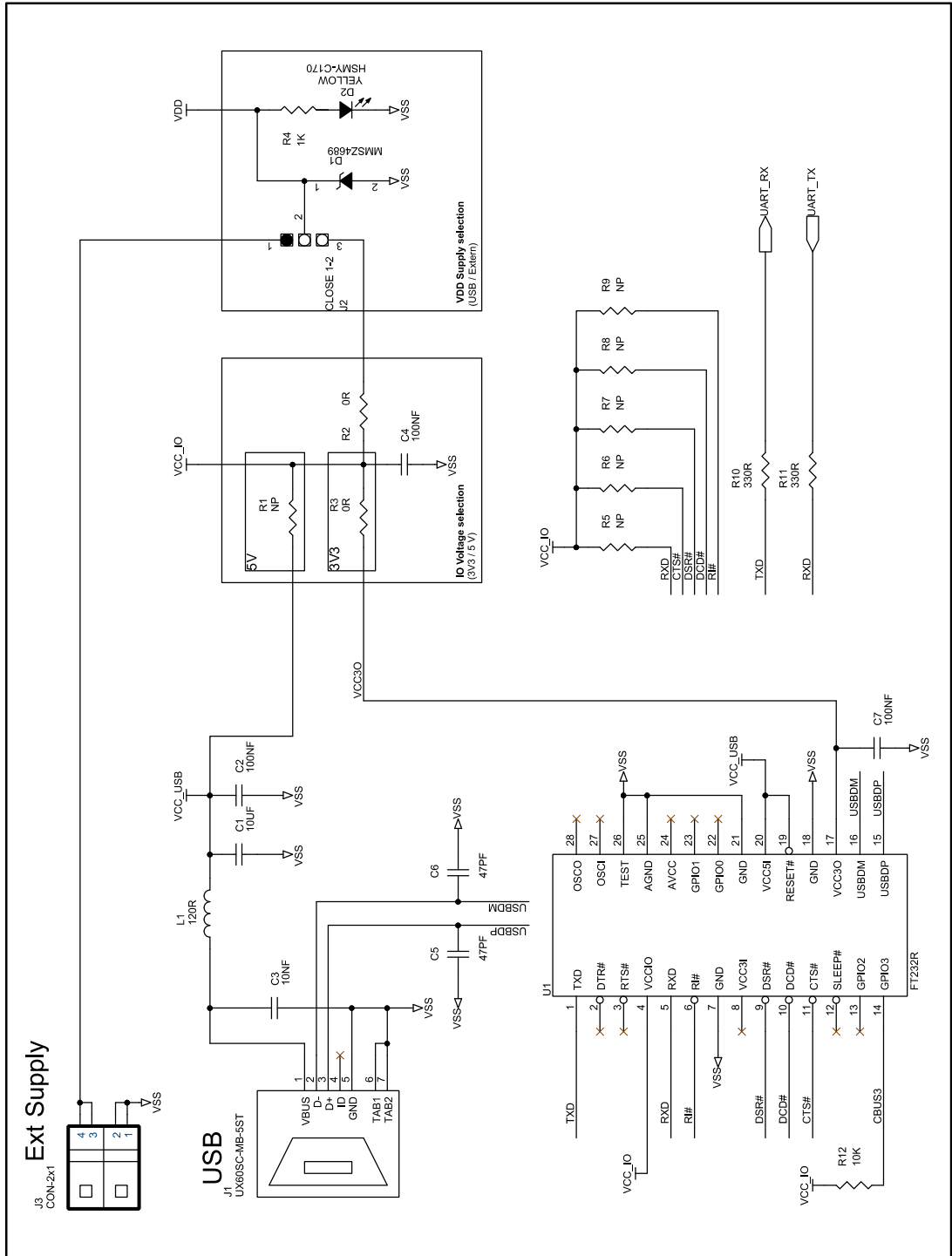
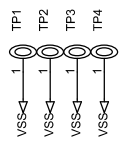
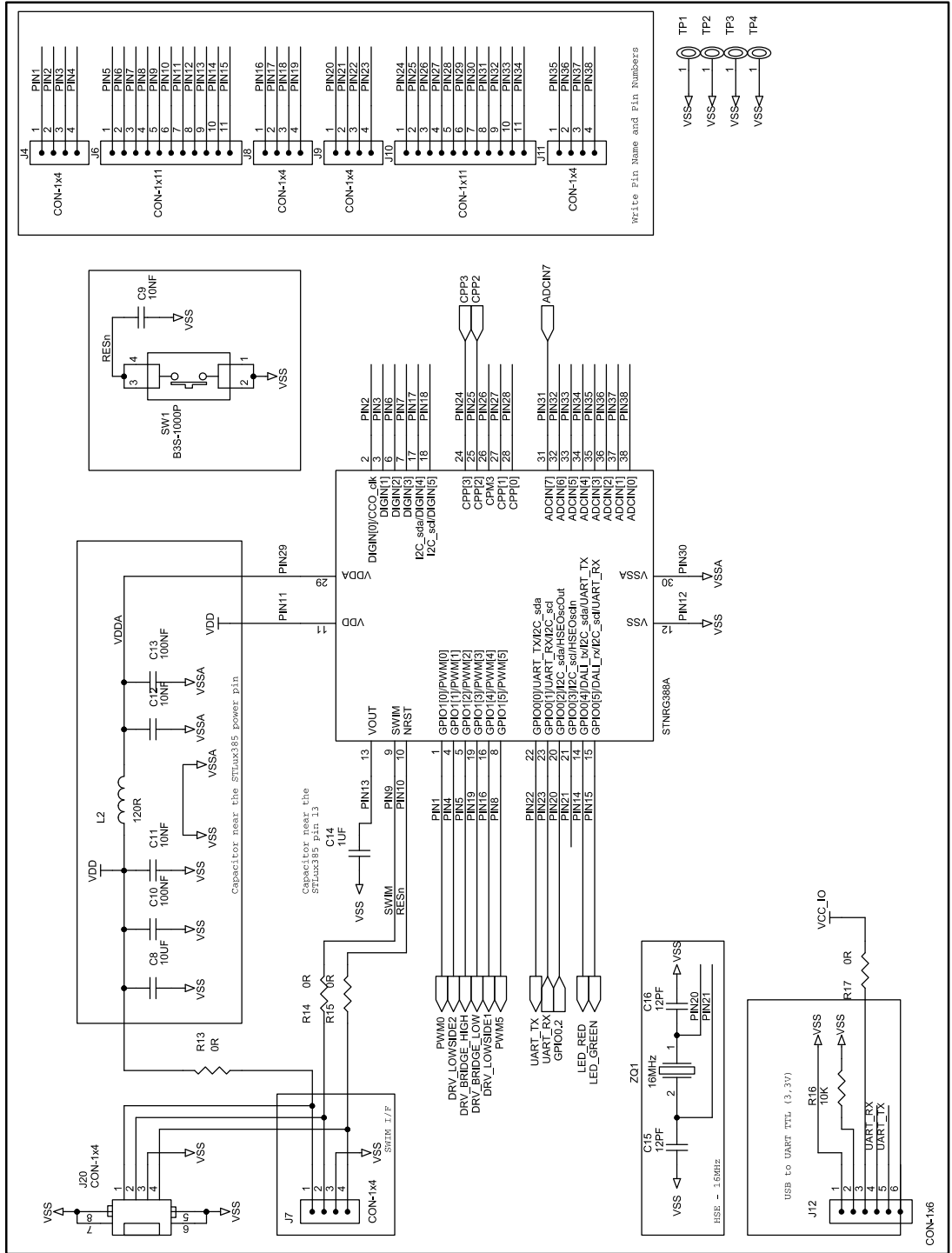


Figure 2: STEVAL-ISA164V1 circuit schematic (2 of 5)



Write Pin Name and Pin Numbers

Figure 3: STEVAL-ISA164V1 circuit schematic (3 or 5)

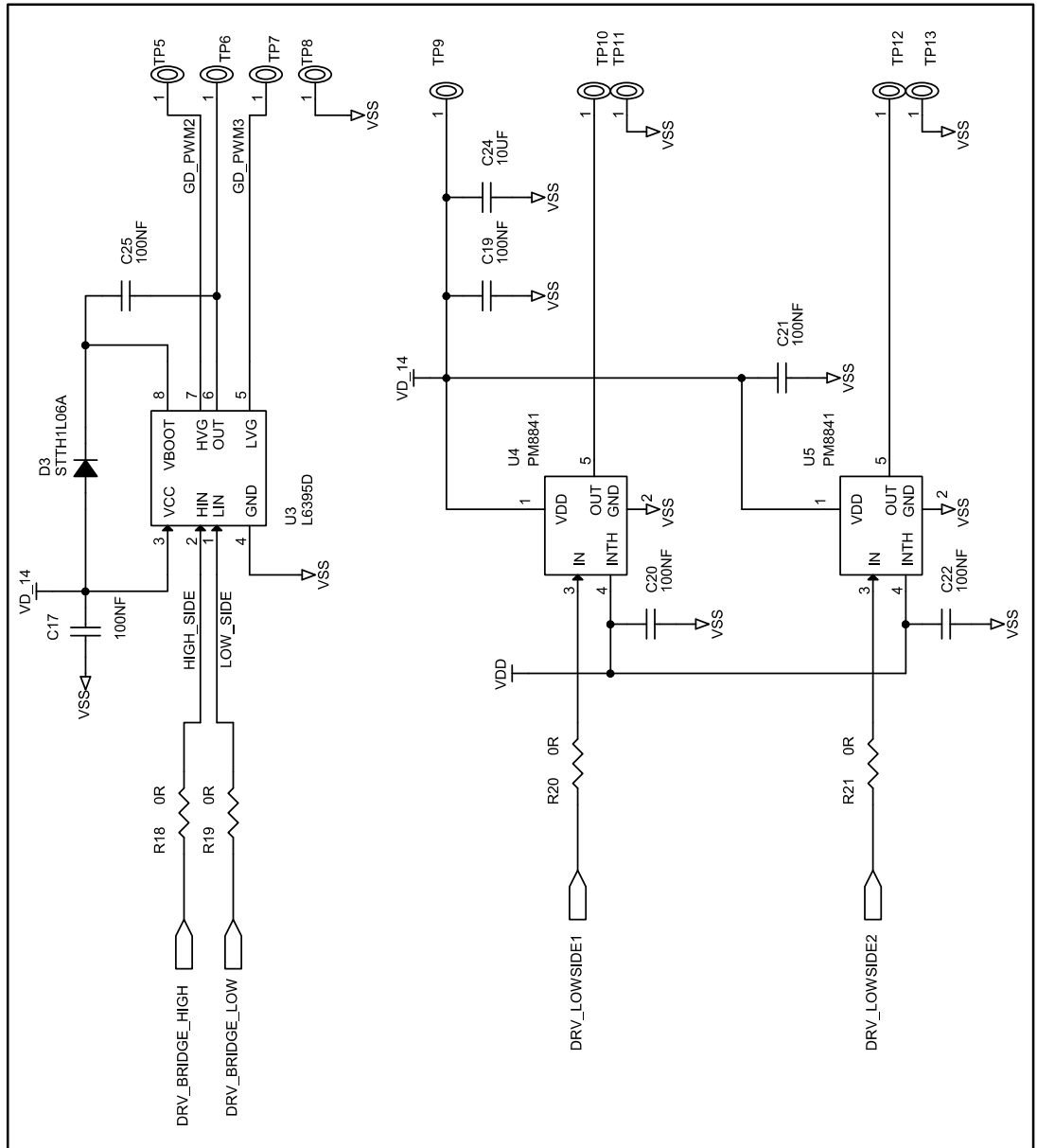


Figure 4: STEVAL-ISA164V1 circuit schematic (4 or 5)

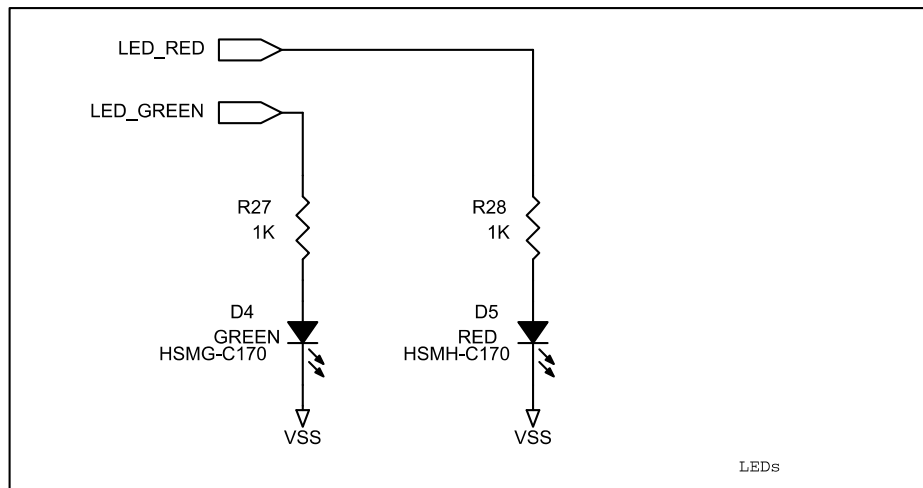
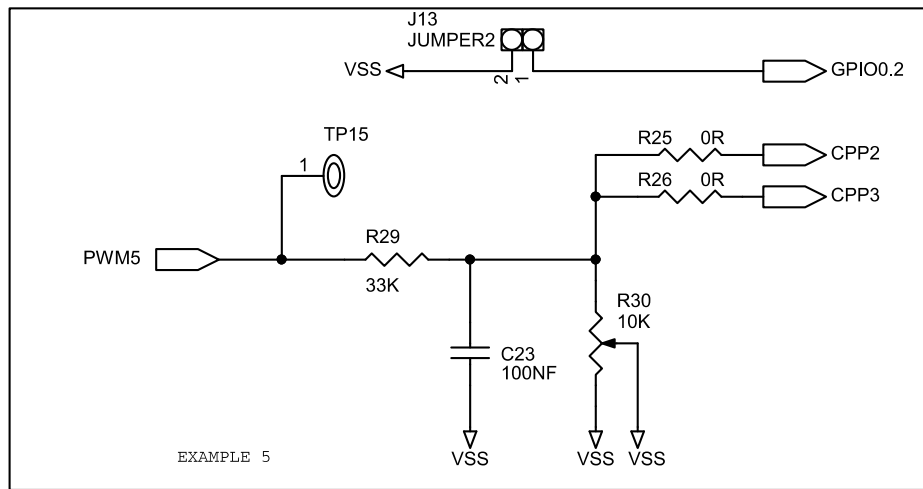
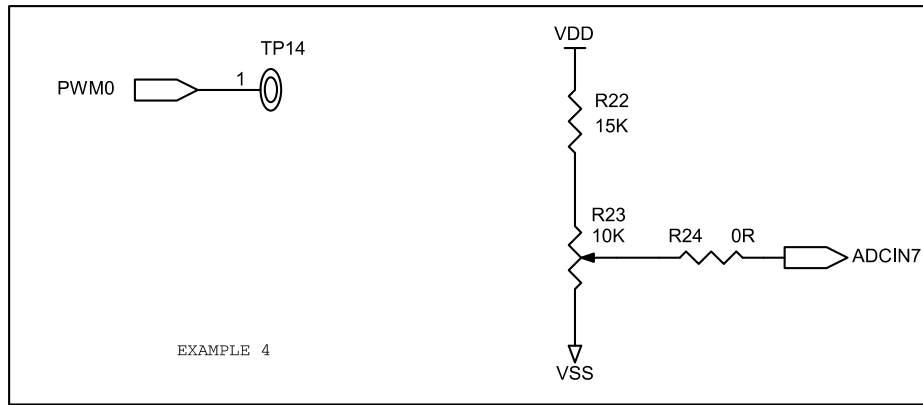


Figure 5: STEVAL-ISA164V1 circuit schematic (5 of 5)

