

LTM8047

725V Isolated DC/DC μModule Converter

DESCRIPTION

The demo circuit 1693A is an isolated flyback μModule® DC/DC converter featuring the [LTM8047](#). The demo circuit is designed for a 5V output from a 4.5V to 30V input. The typical current capability of the 5V output varies with input voltage from about 110mA at $V_{IN} = 4.5V$ to about 350mA at $V_{IN} = 30V$.

The LTM8047 data sheet gives complete description of the device, operation and application information. The data sheet must be read in conjunction with this demo manual prior to working on or modifying demo circuit 1693A.

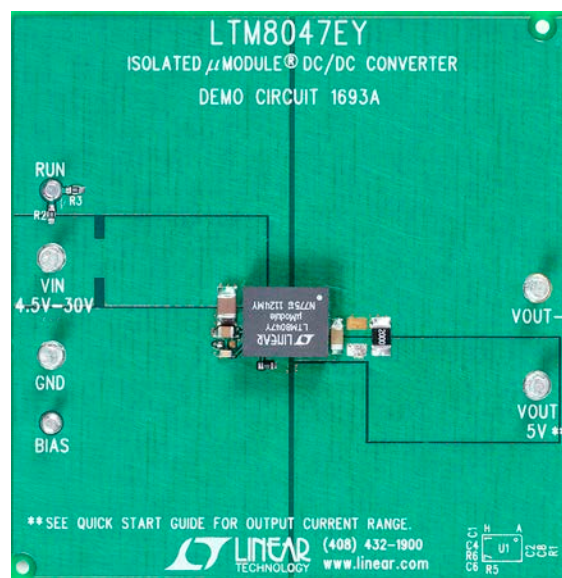
Design files for this circuit board are available at <http://www.linear.com/demo/DC1693A>

LT, LT, LTC, LTM, μModule, Linear Technology and the Linear logo are registered trademarks of Linear Technology Corporation. All other trademarks are the property of their respective owners.

PERFORMANCE SUMMARY ($T_A = 25^\circ C$)

PARAMETER	CONDITIONS	VALUE
Input Voltage Range		4.5V to 30V
Output Voltage V_{OUT}	$V_{IN} = 4.5V$ to 30V	5.0V
Voltage Ripple V_{OUT}	$V_{IN} = 12V, I_{OUT} = 100mA$	<20mV

BOARD PHOTO



QUICK START PROCEDURE

Demo circuit 1693A is an easy way to evaluate the performance of the LTM8047. Refer to Figure 3 for proper measurement equipment setup and follow the procedure below:

NOTE: When measuring the input or output voltage ripple, care must be taken to avoid a long ground lead on the oscilloscope probe. Measure the input or output voltage ripple by touching the probe tip directly across the V_{IN} or V_{OUT} and GND terminals. See Figure 4 for proper scope probe technique.

1. With power off, connect the input power supply to V_{IN} and GND.

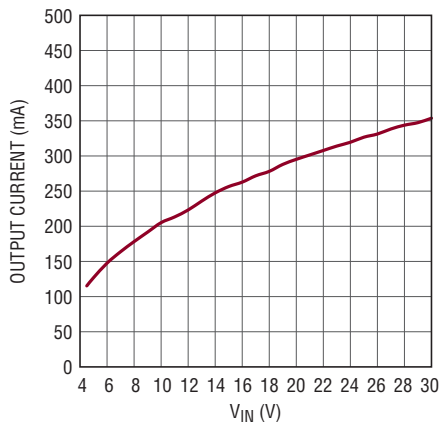
2. Turn on the power at the input.

NOTE: Make sure that the input voltage does not exceed 30V.

3. Check for the proper output voltage between V_{OUT} and V_{OUT}^- .

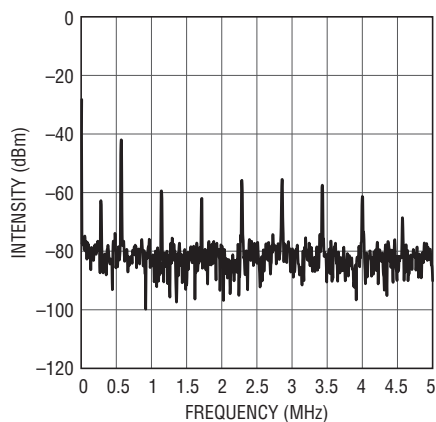
NOTE: If there is no output, temporarily disconnect the load to make sure that the load is not set too high.

4. Once the proper output voltage is established, adjust the load within the operating range and observe the output voltage regulation, ripple voltage, efficiency and other parameters.



dc1693a F01

Figure 1. V_{OUT} Typical Maximum Output Current vs V_{IN}



dc1693 F02

Figure 2. V_{OUT} Output Noise Spectrum with I_{OUT} at 100mA and V_{IN} at 12V

QUICK START PROCEDURE

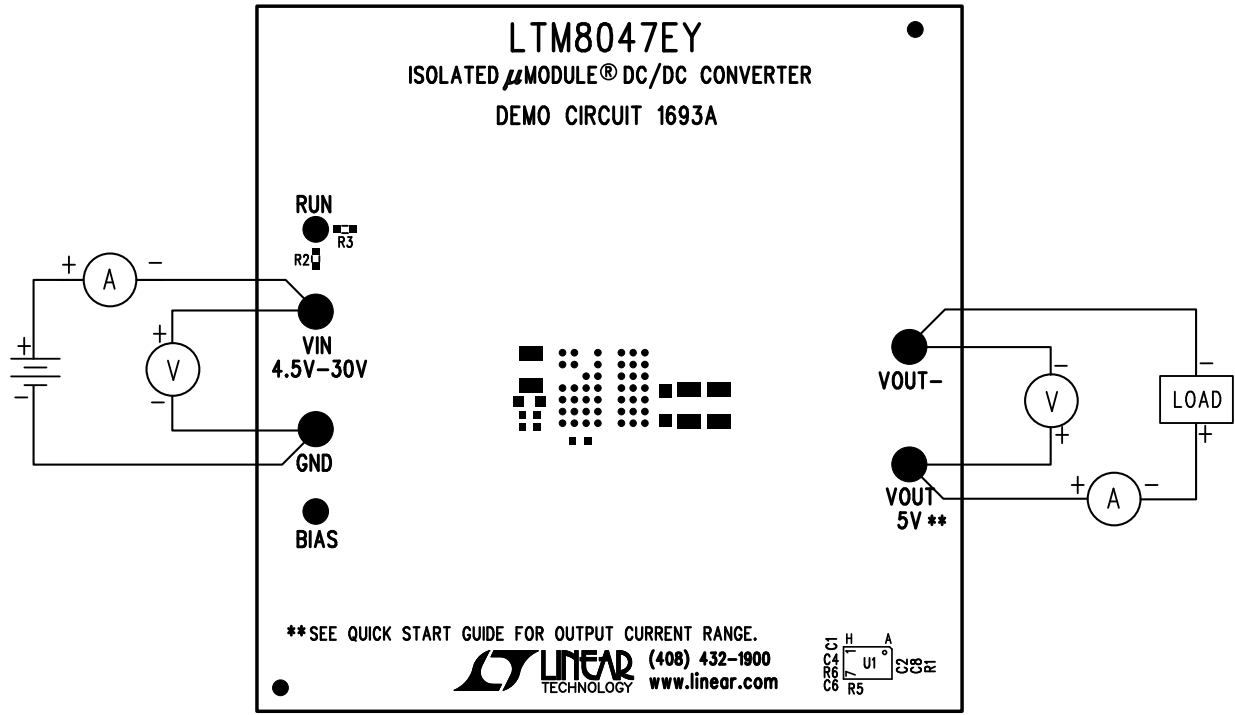


Figure 3. DC1693A Proper Equipment Setup

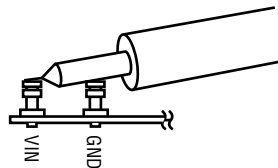


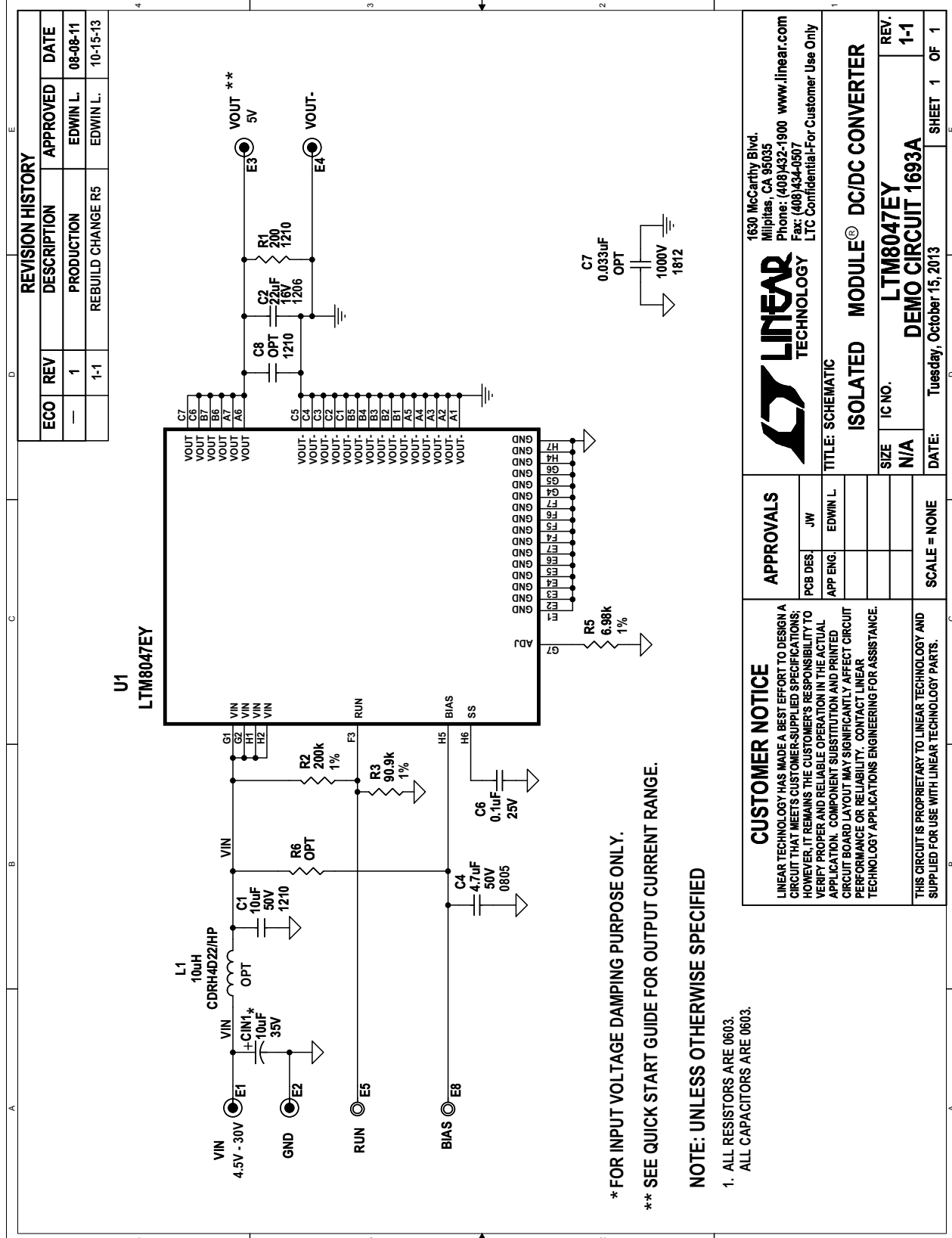
Figure 4. Measuring Input or Output Ripple

DEMO MANUAL DC1693A

PARTS LIST

ITEM	QTY	REFERENCE	PART DESCRIPTION	MANUFACTURER/PART NUMBER
Required Circuit Components				
1	1	C6	CAP, CHIP X7R, 0.1 μ F, 25V, 10%, 0603	AVX 06033C104KAT
2	1	C4	CAP, CHIP X5R, 4.7 μ F, 50V, 10%, 0805	TDK C2012X5R1H475K
3	1	C2	CAP, CHIP X5R, 22 μ F, 16V, 10%, 1206	AVX 1206YD226KAT2A
4	1	C1	CAP, CHIP X5R, 10 μ F, 50V, 10%, 1210	MURATA GRM32ER71H106KA12L
5	1	R1	RES., CHIP 200, 1%, 1210	VISHAY CRCW1210200RFKEA
6	1	R2	RES., CHIP 200k, 1%, 0603	VISHAY CRCW0603200KFKEA
7	1	R3	RES., CHIP 90.9k, 1%, 0603	VISHAY CRCW060390K9FKED
8	1	R5	RES., CHIP 6.98k, 1/10W, 1%, 0603	VISHAY CRCW06036K98FKEA
9	1	U1	IC., LINEAR LTM8047EY#PBF	LINEAR TECH., LTM8047EY#PBF
Additional Demo Board Circuit Components				
1	0	C8	CAP, 1210, OPTION	
2	1	CIN1	CAP, TANT., 10 μ F, 35V, CASE-C	AVX TAJC106K035R
3	0	C7	CAP, 1812, OPTION	
4	0	L1	OPTION	
5	0	R6	RES., 0603, OPTION	
Hardware For Demo Board Only				
1	4	E1-E4	Testpoint, Turret,.094"	Mill-Max 2501-2-00-80-00-00-07-0
2	2	E5, E8	Testpoint, Turret,.064"	Mill-Max 2308-2-00-80-00-00-07-0

SCHEMATIC DIAGRAM



DEMO MANUAL DC1693A

DEMONSTRATION BOARD IMPORTANT NOTICE

Linear Technology Corporation (LTC) provides the enclosed product(s) under the following **AS IS** conditions:

This demonstration board (DEMO BOARD) kit being sold or provided by Linear Technology is intended for use for **ENGINEERING DEVELOPMENT OR EVALUATION PURPOSES ONLY** and is not provided by LTC for commercial use. As such, the DEMO BOARD herein may not be complete in terms of required design-, marketing-, and/or manufacturing-related protective considerations, including but not limited to product safety measures typically found in finished commercial goods. As a prototype, this product does not fall within the scope of the European Union directive on electromagnetic compatibility and therefore may or may not meet the technical requirements of the directive, or other regulations.

If this evaluation kit does not meet the specifications recited in the DEMO BOARD manual the kit may be returned within 30 days from the date of delivery for a full refund. **THE FOREGOING WARRANTY IS THE EXCLUSIVE WARRANTY MADE BY THE SELLER TO BUYER AND IS IN LIEU OF ALL OTHER WARRANTIES, EXPRESSED, IMPLIED, OR STATUTORY, INCLUDING ANY WARRANTY OF MERCHANTABILITY OR FITNESS FOR ANY PARTICULAR PURPOSE. EXCEPT TO THE EXTENT OF THIS INDEMNITY, NEITHER PARTY SHALL BE LIABLE TO THE OTHER FOR ANY INDIRECT, SPECIAL, INCIDENTAL, OR CONSEQUENTIAL DAMAGES.**

The user assumes all responsibility and liability for proper and safe handling of the goods. Further, the user releases LTC from all claims arising from the handling or use of the goods. Due to the open construction of the product, it is the user's responsibility to take any and all appropriate precautions with regard to electrostatic discharge. Also be aware that the products herein may not be regulatory compliant or agency certified (FCC, UL, CE, etc.).

No License is granted under any patent right or other intellectual property whatsoever. **LTC assumes no liability for applications assistance, customer product design, software performance, or infringement of patents or any other intellectual property rights of any kind.**

LTC currently services a variety of customers for products around the world, and therefore this transaction **is not exclusive**.

Please read the DEMO BOARD manual prior to handling the product. Persons handling this product must have electronics training and observe good laboratory practice standards. **Common sense is encouraged.**

This notice contains important safety information about temperatures and voltages. For further safety concerns, please contact a LTC application engineer.

Mailing Address:

Linear Technology
1630 McCarthy Blvd.
Milpitas, CA 95035

Copyright © 2004, Linear Technology Corporation