



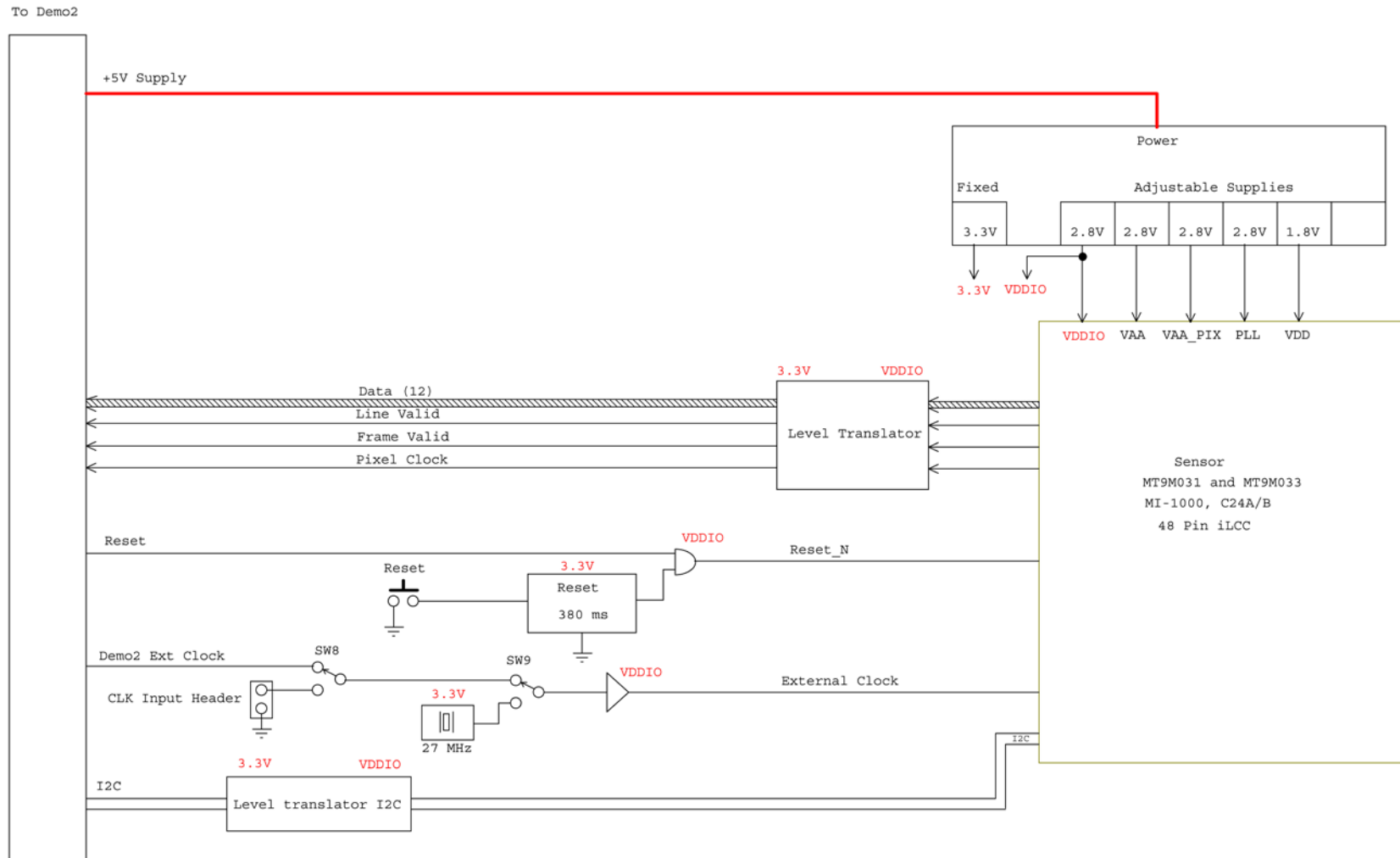
Schematic for the AR0130CSSC00SPCAH-S115-GEVB Evaluation Board

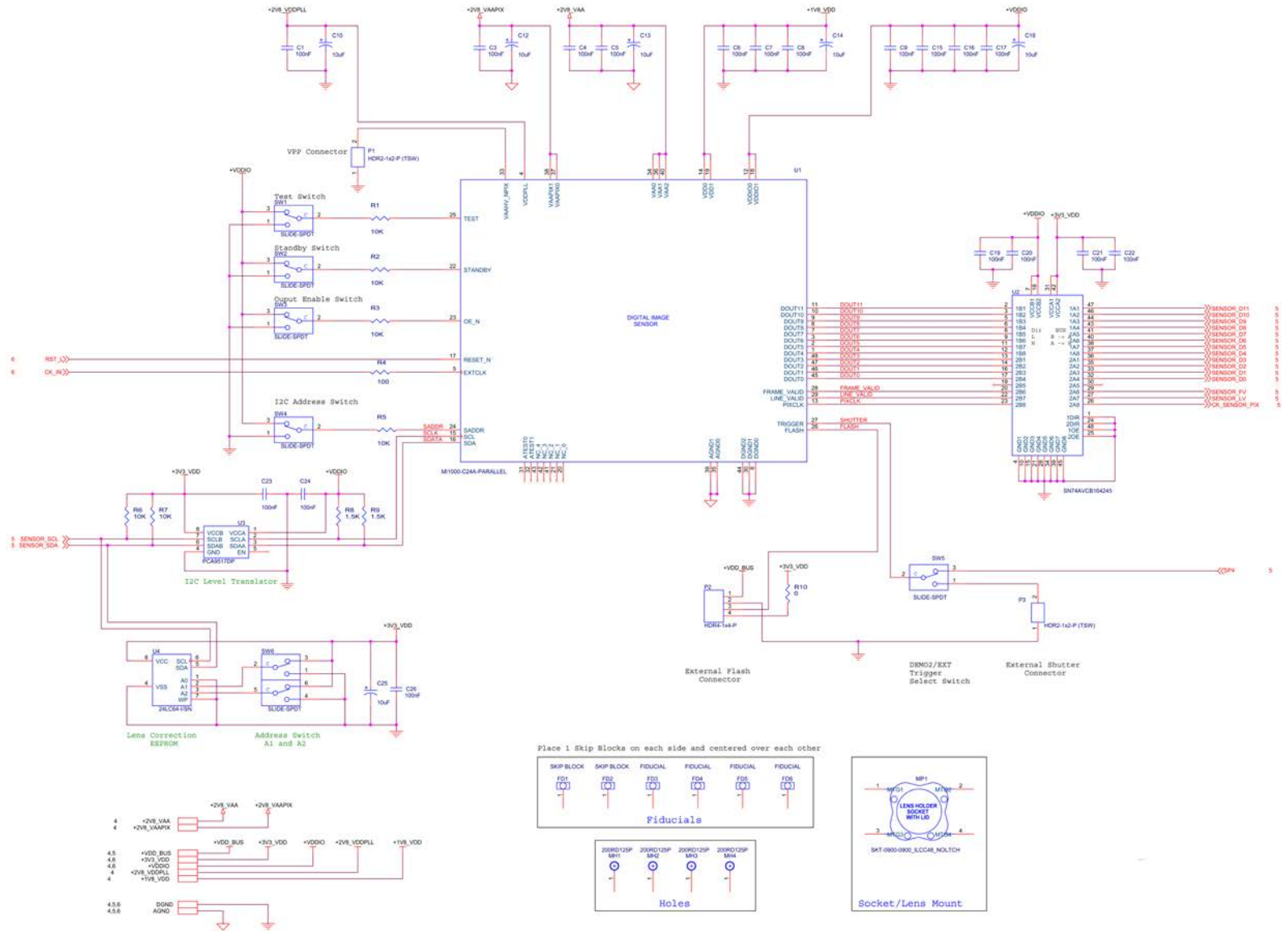
MT9M031 iLCC Parallel and MT9M033 iLCC Parallel

Page	Description
1	Title Page
2	Block Diagram
3	Sensor
4	Power Supply
5	External Interface
6	Clock and Reset

Rev	Who	Date	Description
Rev 0	PT	04/20/2009	First Release

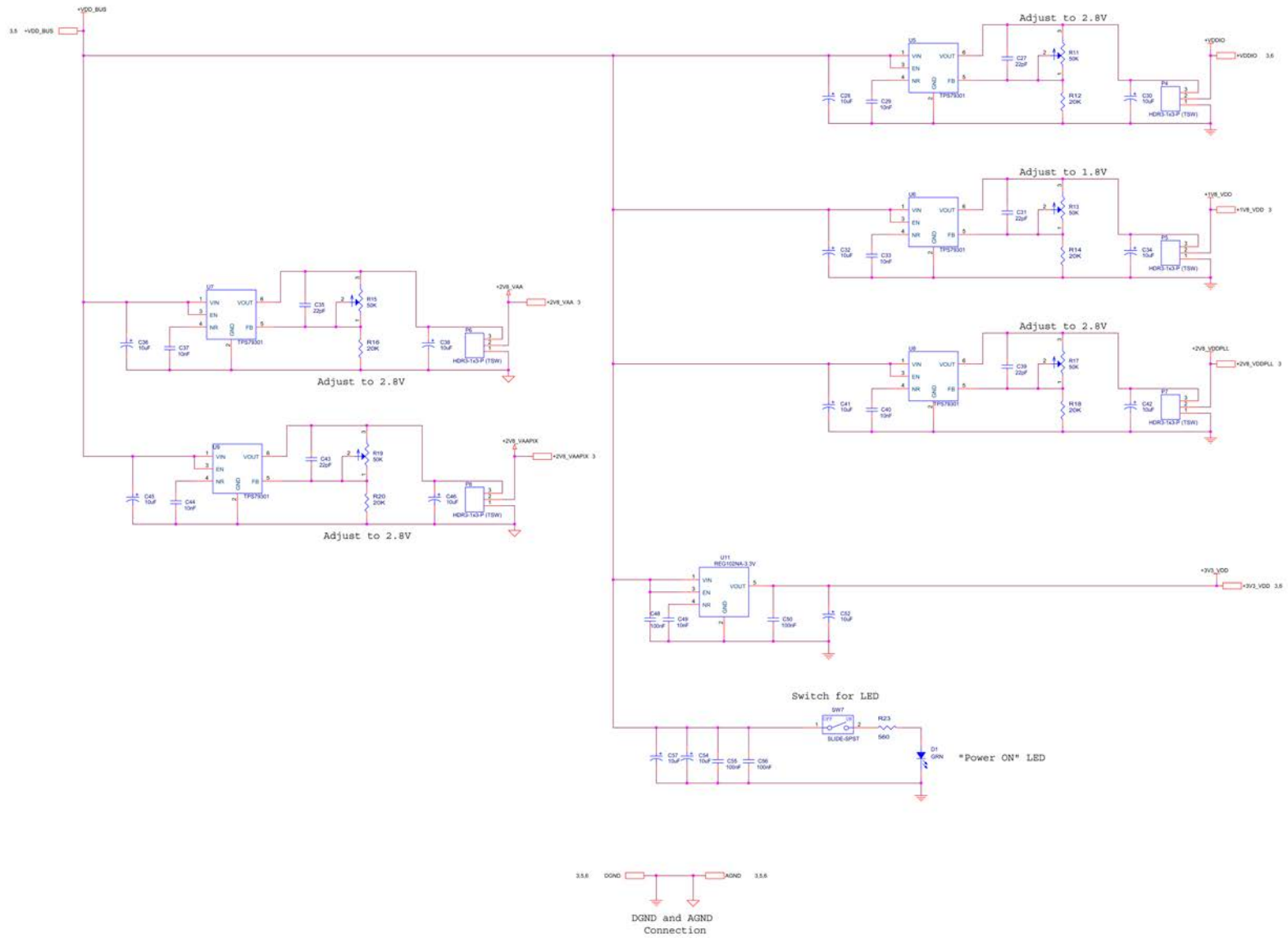
Block Diagram - MT9M031 ILCC and MT9M033 ILCC PARALLEL





Analog

Digital





Headboard Interface

