

Evaluation Board User's Guide

ADC161S626 16-Bit, 50 kSPS to 250 kSPS, Differential Input, Micro-Power Sampling A/D Converter

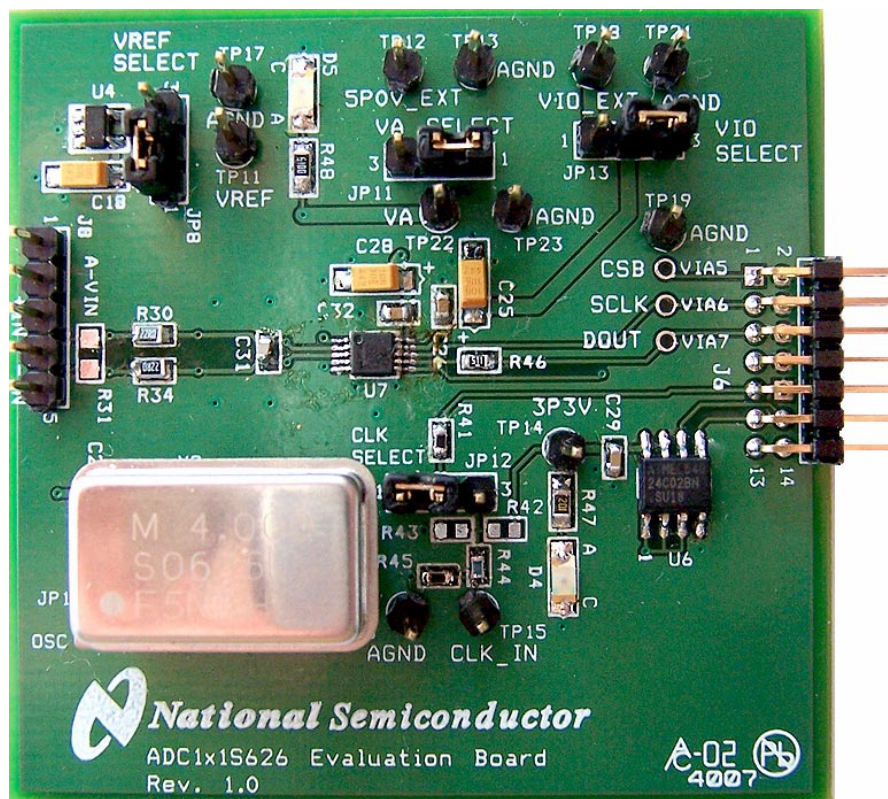


Table of Contents

Contents	Page
1. Introduction.....	3
2. Board Assembly	3
3. Quick Start... ..	4
3.1. Stand Alone Mode	4
3.2. Computer Mode	6
4. Functional Description	7
4.1. Analog Input Signal	8
4.2. ADC Reference Circuitry	8
4.3. SPI Interface	9
4.3.1. ADC Clock (SCLK).....	9
4.3.2. Chip Select Bar (CSB).....	9
4.3.3. Digital Data Output (DOUT).....	9
4.4. Power Supply Connection	10
5. Software Operation and Settings	10
6. Evaluation Board Specifications.....	11
7. Tables of Test Points, Jumpers, and Connectors	12
8. Hardware Schematic	13
9. ADC161S626 Evaluation Board Bill of Materials	14

1. Introduction

The ADC161S626EB/RoHS Design Kit (consisting of the ADC161S626 Evaluation Board and this User's Guide) is designed to ease evaluation and design-in of the National Semiconductor ADC161S626 16-bit Analog-to-Digital Converter, which can operate at speeds up to 250 kSPS.

The evaluation board can be used in either the 'Stand-Alone mode' or the 'Computer mode'. In the 'Stand-Alone mode', suitable test equipments, such as a logic analyzer, can be used with the board to evaluate the ADC161S626's performance.

In the 'Computer mode', data capture and evaluation are simplified by connecting this evaluation board to National Semiconductor's WaveVision Data Capture (WV) board, which is connected to a personal computer through a USB port and is running WaveVision software. WV board 4.1 or higher and WaveVision software version 4.4 or higher are necessary to interface the ADC161S626 Evaluation Board in 'Computer mode'. The hardware can be purchased and the software can be downloaded for free from the web at <http://www.national.com/appinfo/adc/wv4.html>

The WaveVision software operates under Microsoft Windows. The signal at the Analog Input is digitized, captured, and displayed on a PC monitor in the time and frequency domain.

The software will perform an FFT on the captured data upon command. This FFT plot shows dynamic performance in the form of SNR, SINAD, THD, SFDR and ENOB. A histogram of the captured data is also available.

The differential signal applied across analog inputs J8.P3 and J8.P5 is digitized by U7, the ADC161S626.

The ADC161S626 uses an oscillator that is provided on this board by Y2 or is supplied at TP15.

2. Board Assembly

The ADC161S626 evaluation board comes fully assembled and ready for use. Refer to the Bill of Materials on page 14 for a description of components, to Figure 1 for major component placement, and to the schematic on page 13.

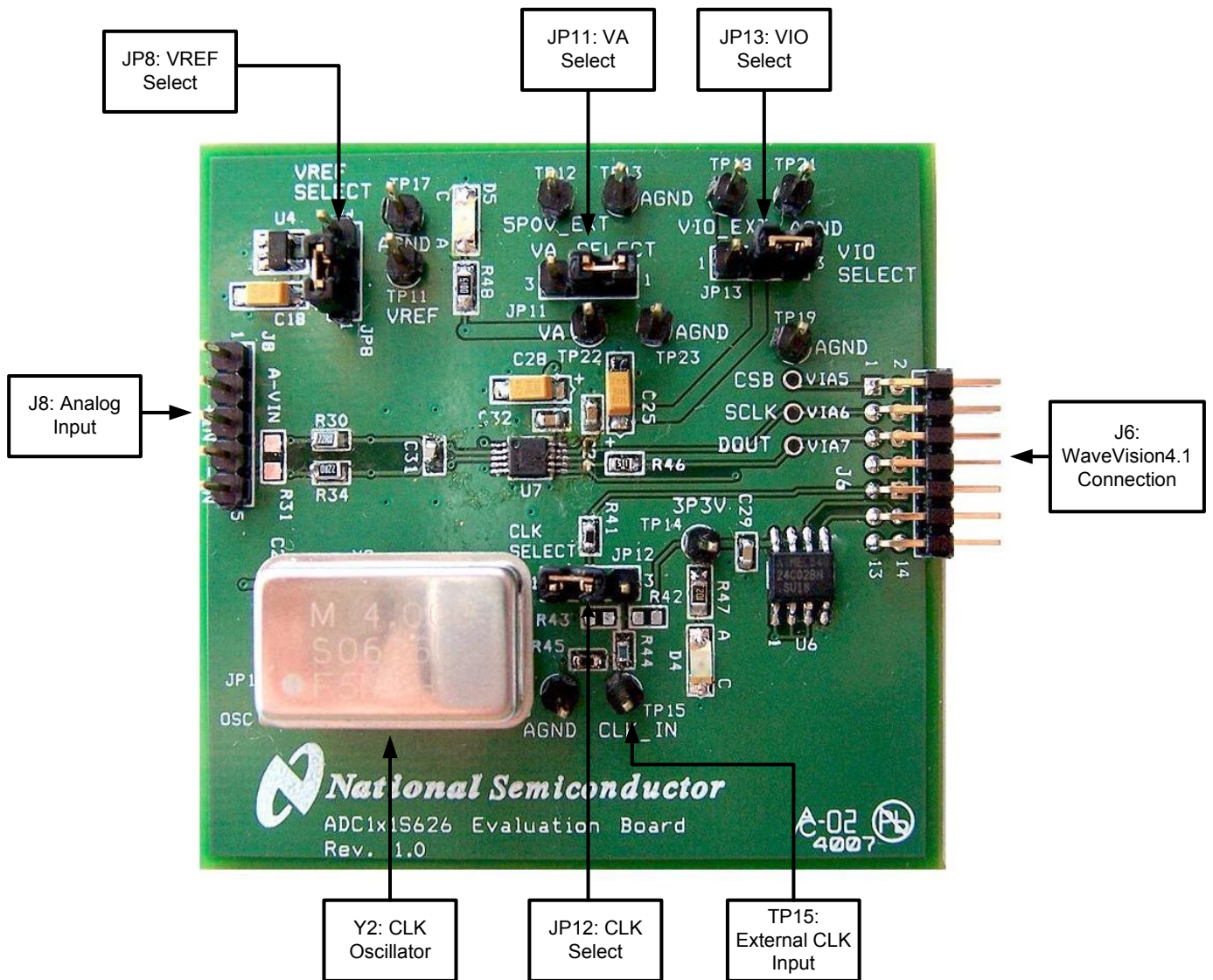


Figure 1 – Components Locations

3. Quick Start

The ADC161S626 evaluation board may be used in the ‘Stand-Alone mode’ to capture data with a logic analyzer or other suitable test equipment, or it may be used in the ‘Computer mode’ with the WV board. In both cases, the data may be analyzed with the WaveVision software.

3.1 Stand Alone Mode

Refer to Figure 1 for locations of test points and major components.

1. Connect a desired differential input signal across pins 3 and 5 of J8.

- a. To create an ac-coupled input signal, stuff C21 and C22 with 1 uF capacitors but leave R30 and R34 unpopulated. To shift the input signal above ground, stuff R27, R28, R29, and R33 with 4.99k Ω resistors. Figure 2 shows the schematic for driving for ADC input with an ac-coupled signal.

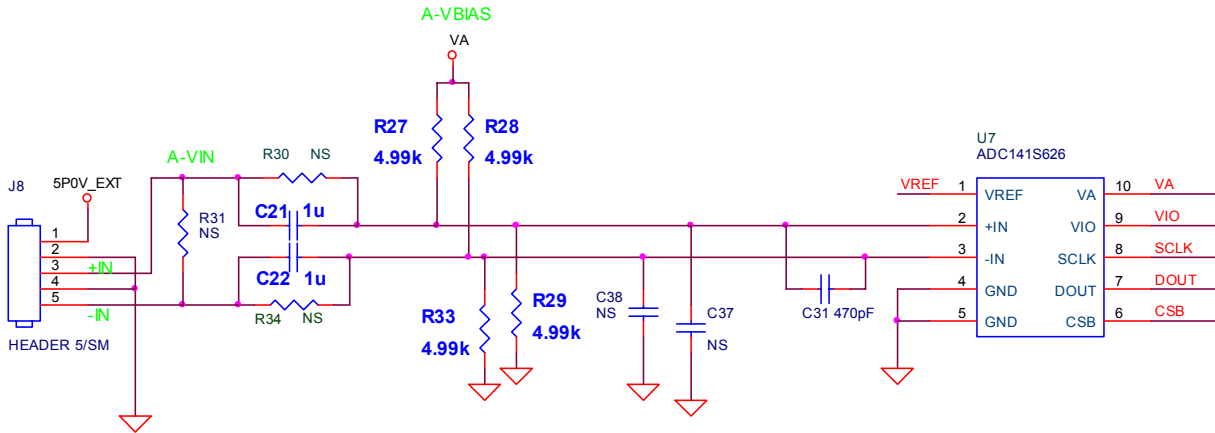


Figure 2 – Schematic to Drive ADC with an AC-Coupled Input Signal

- b. To create a dc-coupled input signal, stuff R30 and R34 with 20 Ω resistors but leave C21, C22, R27, R28, R29, and R33 unpopulated. Figure 3 shows the schematic for driving the ADC input with a dc-coupled signal.

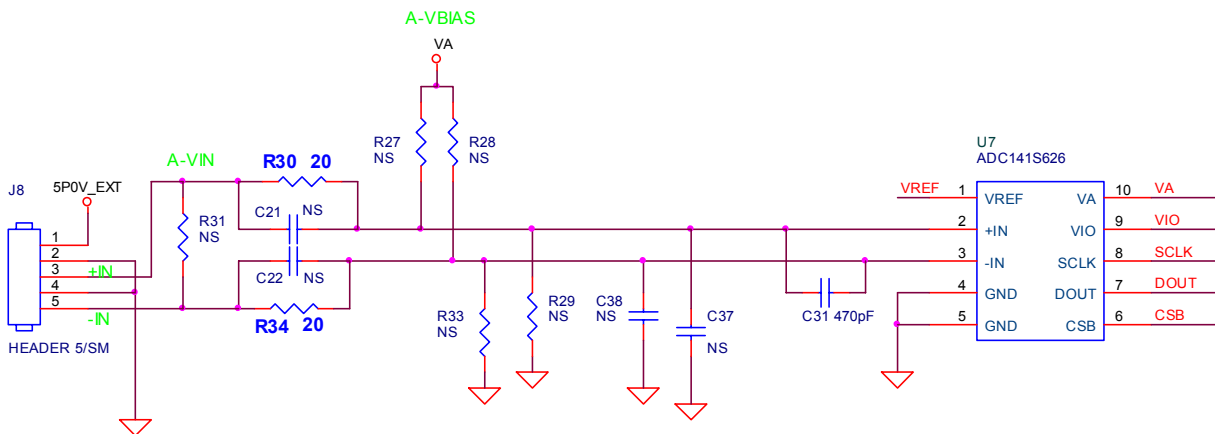


Figure 3 – Schematic to Drive ADC with a DC-Coupled Input Signal

2. Short pins 2 and 3 of JP11 to bias VA (analog voltage) via an external source. In this case, connect a clean +2.7 V to +5.5 V power supply to TP12 and AGND.
3. There are three ways to bias the reference voltage VREF. Choose one of the following:
 - a. Short pins 1 and 2 of JP8 to use VA to bias VREF.
 - b. Short pins 2 and 3 of JP8 to use the 4.1V Reference Voltage (LM4132-4.1) to bias VREF.
 - c. Supply a voltage less than or equal to VA at TP11 to source VREF externally. In this case, remove the jumper from JP8.

4. There are two ways to bias the input/output driver voltage VIO. Choose one of the following:
 - a. Short pins 1 and 2 of JP13 to use an external source to bias VIO. In this case, connect a clean +2.7 V to +5.5 V power supply to TP18 and AGND.
 - b. Short pins 2 and 3 of JP13 to use VA to bias VIO.
5. Remove the jumper from JP12 and the oscillator Y2 from its socket. The presence of Y2 could add noise to the sampling process.
6. Apply signals to control the SPI interface.
 - a. Use a Logic Analyzer or other suitable test equipment to drive CSB (via 5 or pin 1 of J6) and SCLK (via 6 or pin 2 of J6). Refer to the ADC161S626 datasheet to correctly drive these pins.
 - b. Monitor DOUT at via 7 or pin 5 of J6 using a Logic Analyzer or a similar test equipment.

Note: Vias 5, 6, and 7 are 100 mil spaced apart.

3.2 Computer Mode

Refer to Figure 1 for locations of test points and major components.

1. Source the WV board with a clean +5 V supply and connect the ADC161S626 Evaluation Board to the WV board via J6. Visit <http://www.national.com/appinfo/adc/wv4.html> for more information on the WV board and its configuration.
2. Run the WaveVision software program (<http://www.national.com/appinfo/adc/wv4.html>). Version 4.4 or higher is required to interface the WV board with the ADC161S626 Evaluation Board. While the program is loading, continue below.
3. Connect a desired differential input signal across pins 3 and 5 of J8.
 - a. To create an ac-coupled input signal, stuff C21 and C22 with 1 uF capacitors but leave R30 and R34 unpopulated. To shift the input signal above ground, stuff R27, R28, R29, and R33 with 4.99k Ω resistors. The schematic for this mode can be seen in figure 2.
 - b. To create a dc-coupled input signal, stuff R30 and R34 with 20 Ω resistors but leave C21, C22, R27, R28, R29, and R33 unpopulated. Refer to figure 3 for the schematic.
4. There are two ways to bias the analog voltage VA. Choose one of the following:
 - a. Short pins 1 and 2 of JP11 to bias VA via the +5.0V from the WV board.
 - b. Short pins 2 and 3 of JP11 to bias VA (analog voltage) via an external source. In this case, connect a clean +2.7 V to +5.5 V power supply to TP12 and AGND.
5. There are three ways to bias the reference voltage VREF. Choose one of the following:
 - c. Short pins 1 and 2 of JP8 to use VA to bias VREF.
 - d. Short pins 2 and 3 of JP8 to use the 4.1V Reference Voltage (LM4132-4.1) to bias VREF.

- e. Supply a voltage less than or equal to VA at TP11 to source VREF externally. In this case, remove the jumper from JP8.
6. There are two ways to bias the input/output driver voltage VIO. Choose one of the following:
 - a. Short pins 1 and 2 of JP13 to use an external source to bias VIO. In this case, connect a clean +2.7 V to +5.5 V power supply to TP18 and AGND.
 - b. Short pins 2 and 3 of JP13 to use VA to bias VIO.
 7. There are two ways to select a clock source. Choose one of the following:
 - a. Short pins 1 and 2 of JP12 to use an external crystal oscillator. Then, install an appropriate crystal oscillator into socket Y2.
 - b. Short pins 2 and 3 of JP12 to use a signal generator as an oscillator. Connect a clean signal generator with 3.3 V CMOS logic levels to TP15 and AGND. Remember not to place any crystal oscillator into socket Y2.
 8. After configuring the ADC161S626 Evaluation board and connecting the board to the WV board, refer to section 5 - Software Operation and Settings to use the WaveVision software program to analyze the ADC161S626.

4. Functional Description

Table I describes the functions of the jumpers on the ADC161S626 Evaluation Board. The board schematic is shown on page 11.

Jumper	Name	Pins 1 & 2	Pins 2 & 3
JP8	VREF	Select VA to source VREF	Select +4.1V Voltage Regular (U4) to source VREF
JP11	VA	Select +5.0V from the WV board to source VA.	Select an external power supply to source VA.
JP12	CLK	Select on-board clock OSC Y2.	Select clock OSC at TP15.
JP13	VIO	Select an external power supply to source VIO.	Select VA to source VIO.

Table I – Jumper Functions

4.1 Analog Input Signal

The ADC161S626 has dual differential inputs as shown in figure 4. The signal to be digitized should be applied across pins 3 and 5 of J8.

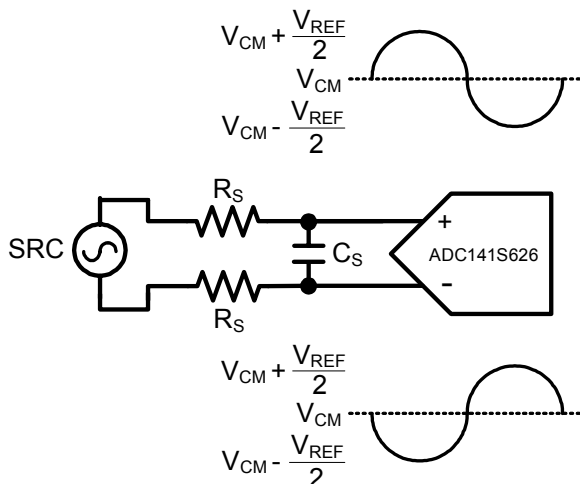


Figure 4 – Differential Input

Generating an ac-coupled input signal only requires stuffing capacitors C21 and C22 with 1uF capacitors. For signal generators that do not have an offset function, stuff resistors R27, R28, R29, and R33 with 4.99k Ω resistors to shift the ac-coupled input signal above ground. Leave resistors R30, R34, and capacitors C37 and C38 unpopulated. Refer to figure 2 to see the schematic for driving the ADC input with an ac-coupled signal.

To properly create a dc-coupled input signal, stuff R30 and R34 with 20 Ω resistors. However, leave capacitors C21, C22, and resistors R27, R28, R29, and R33 unpopulated. A schematic of this explanation can be seen in figure 3.

For single-ended operation, the non-inverting input of the ADC can be driven with a sinusoidal input signal, and the inverting input of the ADC can be driven with a dc voltage. The sinusoidal input signal driving the non-inverting input should have a minimum to maximum value range that is equal to or less than twice the reference voltage. The inverting input should be biased at a common mode voltage, V_{CM} , which is a stable voltage that is halfway between these maximum and minimum values. Figure 5 shows the ADC161S626 being driven by a single-ended source.

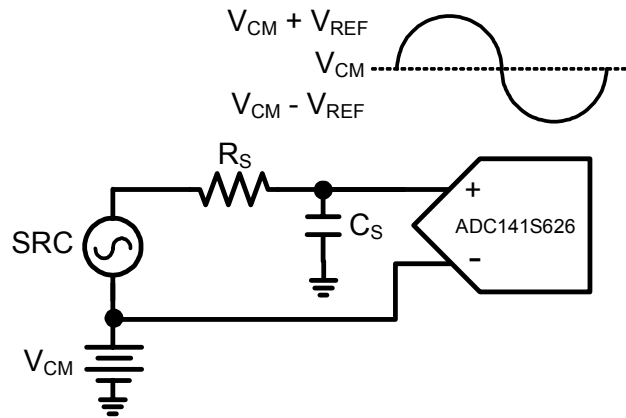


Figure 5 – Single-Ended Input

Dynamic input signals should be applied through a lowpass or bandpass filter to eliminate the noise and harmonics commonly associated with signal sources. To accurately evaluate the performance of the ADC161S626, the source must be better than -100dBFS THD (Total Harmonic Distortion).

4.2 ADC Reference Circuitry

This evaluation board includes three options to source the voltage reference, VREF. These options include selecting a fixed +4.1V voltage reference to source VREF, using VA to source VREF, or using a power supply to source VREF. To select the +4.1V reference, short pins 2 & 3 of JP8. To select VA, short pins 1 & 2 of JP8. If it is desirable to provide an external reference voltage, the jumper must be removed from JP8, and TP11 may be driven directly by a power supply set between +2.7 V and +5.5 V.

4.3 SPI Interface

The ADC161S626 requires three SPI input and output pins. These pins are Serial Clock (SCLK), Chip Select Bar (CSB), and Digital Data Output (DOUT). The user must provide input signals for SCLK and CSB in order to receive an output signal DOUT from the ADC161S626. Further descriptions of those pins are discussed below.

4.3.1 Serial Clock (SCLK)

The crystal-based oscillator provided on the evaluation board is selected by shorting pins 1 & 2 of JP12. It is best to remove any external signal generator from TP15 when using this oscillator to reduce any unnecessary noise.

This board will also accept a clock signal from an external source by connecting that source to TP15 and AGND and shorting pins 2 & 3 of JP12. The input applied at TP15 is 51 ohm terminated by R45. The external clock signal must meet the 3.3 V CMOS input requirements. If the external source is an ac-source centered around ground, populate R42 and R43 with 4.99k Ω resistors to shift the clock level. To reduce any unnecessary noise, it is best to remove the oscillator at Y2 when using an external clock source.

Regardless of the clock source selected by JP12, the clock signal is designed to be routed off the ADC161S626 Evaluation Board to the WV board. This assumes a 'Computer mode' operation of the evaluation board. For applications utilizing the evaluation board in 'Stand-Alone mode', the clock is applied directly at via 6 or at pin 3 of J6.

4.3.2 Chip Select Bar (CSB)

In the 'Stand-Alone mode', CSB has to be driven directly at via 5 or at pin 1 of J6. In the 'Computer mode', CSB can be monitored at via 5 or at pin 1 of J6. The signal level for CSB needs to be TTL compatible. See the ADC161S626 datasheet for logic threshold limits.

4.3.3 Digital Data Output (DOUT)

In the 'Stand-Alone mode', DOUT can be monitored at via 7 or at pin 5 of J6. In the 'Computer mode', DOUT is monitored by the WV board. The signal level for DOUT is CMOS and TTL compatible. See the ADC161S626 datasheet for logic output levels.

4.4 Power Supply Connection

Voltages VA and VIO can be driven using an external power supply.

In the 'Stand-Alone mode', the user has to use the external power supply to drive VA. Do not short pins 1 and 2 of JP11 when operating in the 'Stand-Alone mode'. To drive VA correctly, short pins 2 and 3 of JP11, and drive TP12 with an external power supply set between +2.7 V and +5.5 V.

In the 'Computer mode', VA can be driven with an external power supply or with the +5.0V from WV board. Short pins 1 and 2 of JP11 to automatically use the +5.0 V from the WV board.

The driver input/output voltage VIO can also be driven from VA or externally with a power supply. To use the voltage VA to drive VIO, short pins 2 and 3 of JP13. To drive VIO with an external source, short pins 1 and 2 of JP13, then set TP18 to a voltage between +2.7 V and +5.5V.

5. Software Operation and Settings

The WaveVision software is included with the WV board and the latest version can be downloaded for free from National's web site at <http://www.national.com/appinfo/adc/wv4.html>. To install this software, follow the procedure in the WV board User's Guide. Once the software is installed, run and set it up as follow:

1. After configuring the ADC161S626 Evaluation Board and connecting it to the WV board as discussed in Section 3.2, connect the WV board to the host computer with a USB cable.
2. From the WaveVision software main menu, go to '**Settings**', then '**Capture Settings**' and select the following from the menu:
 - a. Board Type: WaveVision 4.0 (USB)
 - b. Number of Samples: 2k to 32k, as desired
 - c. Data Format: Two's Complement
3. Click on the "**Reset**" button and await the firmware to download.
4. Click on the "**Close**" button.
5. Click on "**Acquire**" then "**Samples**" from the Main Menu (you can also press the *F1* shortcut key). If a dialog box opens, select "**Discard**" or press the **Escape** key to start collecting new, updated samples.

A plot of the selected number of samples will be displayed. Make sure there is no clipping of data samples. If clipping occurs, lower the analog input voltage. The samples may be further analyzed by clicking on the magnifying glass icon, then clicking and dragging across a specific area of the plot for better data inspection.

To view an FFT of the data captured, click on the 'FFT' tab. This plot may be zoomed in like the data plot. A display of dynamic performance parameters in the form of SINAD, SNR, THD, SFDR and ENOB will be displayed at the top right hand corner of the FFT plot.

Acquired data may be saved to a file. Plots may also be exported as graphics.

For more information, view the WV board's User Guide at <http://www.national.com/appinfo/adc/wv4.html>.

6. Evaluation Board Specifications

Board Size:	2.250" x 2.3" (7.6 cm x 7.6 cm)	
Power Requirements	Min: +2.7 V, 100mA	Max: +5.5 V, 100 mA
Clock Frequency Range:	800 kHz to 4.0 MHz	
Analog Input	0 V to (2 * VREF) Vpp	

Table II – ADC161S626 Evaluation Board Specifications

7. Tables of Test Points, Jumpers, and Connectors

Test Points on the ADC161S626 Evaluation Board

TP11: VREF	VREF test point. Located at the top left area of the board.
TP12: 5P0V_EXT	VA external supply. Located at the middle top area of the board.
TP13: AGND	Ground. Located at the middle top area of the board.
TP14: 3P3V	+3.3V test point. Located at the middle right area of the board.
TP15: CLK_IN	External Clock. Located at the bottom middle of the board.
TP16: AGND	Ground. Located at the bottom middle of the board.
TP17: AGND	Ground. Located at the top left area of the board.
TP18: VIO_EXT	VIO external supply. Located at the top right corner of the board.
TP19: AGND	Ground. Located at the top right corner of the board.
TP21: AGND	Ground. Located at the top right corner of the board.
TP22: VA	VA test point. Located at the middle top area of the board.
TP23: AGND	Ground. Located at the middle top area of the board.

Connectors on the ADC161S626 Evaluation Board

J6: WV4S	14 pin dual row right angle male header. Connect to WV board.
J8: VIN	Five pin male header. Differential AC and DC input.

Selection Jumpers on the ADC161S626 Evaluation Board (Refer to Table 1 in Section 4.0 for configuration details)

JP8: VREF SELECT	Selects reference source for VREF. Located at the top left corner of the board.
JP11: VA SELECT	Selects source for VA. Located at the top middle area of the board.
JP12: CLK SELECT	Selects source for the clock. Located at the bottom middle area of the board.
JP13: VIO SELECT	Selects source for VIO. Located on the top right corner of the board.
JP14: OSC Enable	Not Stuffed. If jumpered, pin 1 of the oscillator is grounded. Located on the bottom left corner of the board to the left of Y2.

9. ADC161S626 Evaluation Board Bill of Materials

Item	Qty	Reference	Part	Source	Source Part #
1	4	C18,C19,C25,C28	10uF	N/A	N/A
2	5	C20,C26,C27,C29,C32	0.1uF	N/A	N/A
3	2	C21,C22	Not Stuffed (1uF)	N/A	N/A
4	1	C31	470pF	N/A	N/A
5	2	C37,C38	Not Stuffed (0.1uF)	N/A	N/A
6	2	D4,D5	RED LED	Digikey	516-1440-1-ND
7	1	JP8	3-Pin Post Header	Digikey	S1011E-36-ND
8	1	JP11	3-Pin Post Header	Digikey	S1011E-36-ND
9	1	JP12	3-Pin Post Header	Digikey	S1011E-36-ND
10	1	JP13	3-Pin Post Header	Digikey	S1011E-36-ND
11	1	JP14	Not Stuffed (Jumper)	N/A	N/A
12	1	J6	RIGHT ANGLE MALE HEADER 100Mil	Digikey	S5803-21-ND
13	1	J8	HEADER 5/SM	N/A	N/A
14	6	R27,R28,R29,R33,R42,R43	Not Stuffed (4.99k ohm)	N/A	N/A
15	2	R30,R34	20	N/A	N/A
16	1	R31	Not Stuffed	N/A	N/A
17	2	R41, R45	51	N/A	N/A
18	1	R44	0	N/A	N/A
20	1	R47	200	N/A	N/A
21	1	R48	510	N/A	N/A
22	1	R46	510	N/A	N/A
23	1	TP11	Test Pin for VREF	Digikey	5003K-ND
24	1	TP12	Test Pin for 5P0V_EXT	Digikey	5003K-ND
25	6	TP13,TP16,TP17,TP19,TP21,TP23	Test Pin for AGND	Digikey	5011K-ND
26	1	TP14	Test Pin for 3P3V	Digikey	5003K-ND
27	1	TP15	Test pin for CLK_IN	Digikey	5003K-ND
28	1	TP18	Test Pin for VIO_EXT	Digikey	5003K-ND
29	1	TP22	Test pin for VA	Digikey	5003K-ND
30	1	U4	LM4132-4.1	N/A	N/A
31	1	U6	24C02	N/A	N/A
32	1	U7	ADC161S626	N/A	N/A
33	1	VIA5	CSB	Digikey	N/A
34	1	VIA6	SCLK	Digikey	N/A
35	1	VIA7	DOUT	Digikey	N/A
36	1	Y2	OSC (THROUGH-HOLE)	Digikey	A400-ND

BY USING THIS PRODUCT, YOU ARE AGREEING TO BE BOUND BY THE TERMS AND CONDITIONS OF NATIONAL SEMICONDUCTOR'S END USER LICENSE AGREEMENT. DO NOT USE THIS PRODUCT UNTIL YOU HAVE READ AND AGREED TO THE TERMS AND CONDITIONS OF THAT AGREEMENT. IF YOU DO NOT AGREE WITH THEM, CONTACT THE VENDOR WITHIN TEN (10) DAYS OF RECEIPT FOR INSTRUCTIONS ON RETURN OF THE UNUSED PRODUCT FOR A REFUND OF THE PURCHASE PRICE PAID, IF ANY.

The ADC161S626 Evaluation Board is intended for product evaluation purposes only and is not intended for resale to end consumers, is not authorized for such use and is not designed for compliance with European EMC Directive 89/336/EEC, or for compliance with any other electromagnetic compatibility requirements.

National Semiconductor Corporation does not assume any responsibility for use of any circuitry or software supplied or described. No circuit patent licenses are implied.

LIFE SUPPORT POLICY

NATIONAL'S PRODUCTS ARE NOT AUTHORIZED FOR USE AS CRITICAL COMPONENTS IN LIFE SUPPORT DEVICES OR SYSTEMS WITHOUT THE EXPRESS WRITTEN APPROVAL OF THE PRESIDENT OF NATIONAL SEMICONDUCTOR CORPORATION. As used herein:

1. Life support devices or systems are devices or systems which, (a) are intended for surgical implant into the body, or (b) support or sustain life, and whose failure to perform, when properly used in accordance with instructions for use provided in the labeling, can be reasonably expected to result in a significant injury to the user.
2. A critical component is any component in a life support device or system whose failure to perform can be reasonably expected to cause the failure of the life support device or system, or to affect its safety or effectiveness.

National Semiconductor Corporation Americas Tel: 1-800-272-9959 Fax: 1-800-737-7018 Email: support@nsc.com	National Semiconductor Europe Fax: +49 (0) 1 80-530 85 86 Email: europe.support@nsc.com Deutsch Tel: +49 (0) 699508 6208 English Tel: +49 (0) 870 24 0 2171 French Tel: +49 (0) 141 91 8790	National Semiconductor Asia Pacific Customer Response Group Tel: 65-2544466 Fax: 65-2504466 Email: sea.support@nsc.com	National Semiconductor Japan Ltd. Tel: 81-3-5639-7560 Fax: 81-3-5639-7507
www.national.com			

National does not assume any responsibility for any circuitry described, no circuit patent licenses are implied and National reserves the right at any time without notice to change said circuitry and specification.

IMPORTANT NOTICE

Texas Instruments Incorporated and its subsidiaries (TI) reserve the right to make corrections, modifications, enhancements, improvements, and other changes to its products and services at any time and to discontinue any product or service without notice. Customers should obtain the latest relevant information before placing orders and should verify that such information is current and complete. All products are sold subject to TI's terms and conditions of sale supplied at the time of order acknowledgment.

TI warrants performance of its hardware products to the specifications applicable at the time of sale in accordance with TI's standard warranty. Testing and other quality control techniques are used to the extent TI deems necessary to support this warranty. Except where mandated by government requirements, testing of all parameters of each product is not necessarily performed.

TI assumes no liability for applications assistance or customer product design. Customers are responsible for their products and applications using TI components. To minimize the risks associated with customer products and applications, customers should provide adequate design and operating safeguards.

TI does not warrant or represent that any license, either express or implied, is granted under any TI patent right, copyright, mask work right, or other TI intellectual property right relating to any combination, machine, or process in which TI products or services are used. Information published by TI regarding third-party products or services does not constitute a license from TI to use such products or services or a warranty or endorsement thereof. Use of such information may require a license from a third party under the patents or other intellectual property of the third party, or a license from TI under the patents or other intellectual property of TI.

Reproduction of TI information in TI data books or data sheets is permissible only if reproduction is without alteration and is accompanied by all associated warranties, conditions, limitations, and notices. Reproduction of this information with alteration is an unfair and deceptive business practice. TI is not responsible or liable for such altered documentation. Information of third parties may be subject to additional restrictions.

Resale of TI products or services with statements different from or beyond the parameters stated by TI for that product or service voids all express and any implied warranties for the associated TI product or service and is an unfair and deceptive business practice. TI is not responsible or liable for any such statements.

TI products are not authorized for use in safety-critical applications (such as life support) where a failure of the TI product would reasonably be expected to cause severe personal injury or death, unless officers of the parties have executed an agreement specifically governing such use. Buyers represent that they have all necessary expertise in the safety and regulatory ramifications of their applications, and acknowledge and agree that they are solely responsible for all legal, regulatory and safety-related requirements concerning their products and any use of TI products in such safety-critical applications, notwithstanding any applications-related information or support that may be provided by TI. Further, Buyers must fully indemnify TI and its representatives against any damages arising out of the use of TI products in such safety-critical applications.

TI products are neither designed nor intended for use in military/aerospace applications or environments unless the TI products are specifically designated by TI as military-grade or "enhanced plastic." Only products designated by TI as military-grade meet military specifications. Buyers acknowledge and agree that any such use of TI products which TI has not designated as military-grade is solely at the Buyer's risk, and that they are solely responsible for compliance with all legal and regulatory requirements in connection with such use.

TI products are neither designed nor intended for use in automotive applications or environments unless the specific TI products are designated by TI as compliant with ISO/TS 16949 requirements. Buyers acknowledge and agree that, if they use any non-designated products in automotive applications, TI will not be responsible for any failure to meet such requirements.

Following are URLs where you can obtain information on other Texas Instruments products and application solutions:

Products

Audio	www.ti.com/audio
Amplifiers	amplifier.ti.com
Data Converters	dataconverter.ti.com
DLP® Products	www.dlp.com
DSP	dsp.ti.com
Clocks and Timers	www.ti.com/clocks
Interface	interface.ti.com
Logic	logic.ti.com
Power Mgmt	power.ti.com
Microcontrollers	microcontroller.ti.com
RFID	www.ti-rfid.com
OMAP Mobile Processors	www.ti.com/omap
Wireless Connectivity	www.ti.com/wirelessconnectivity

Applications

Automotive and Transportation	www.ti.com/automotive
Communications and Telecom	www.ti.com/communications
Computers and Peripherals	www.ti.com/computers
Consumer Electronics	www.ti.com/consumer-apps
Energy and Lighting	www.ti.com/energy
Industrial	www.ti.com/industrial
Medical	www.ti.com/medical
Security	www.ti.com/security
Space, Avionics and Defense	www.ti.com/space-avionics-defense
Video and Imaging	www.ti.com/video

TI E2E Community Home Page

e2e.ti.com

Mailing Address: Texas Instruments, Post Office Box 655303, Dallas, Texas 75265
Copyright © 2012, Texas Instruments Incorporated