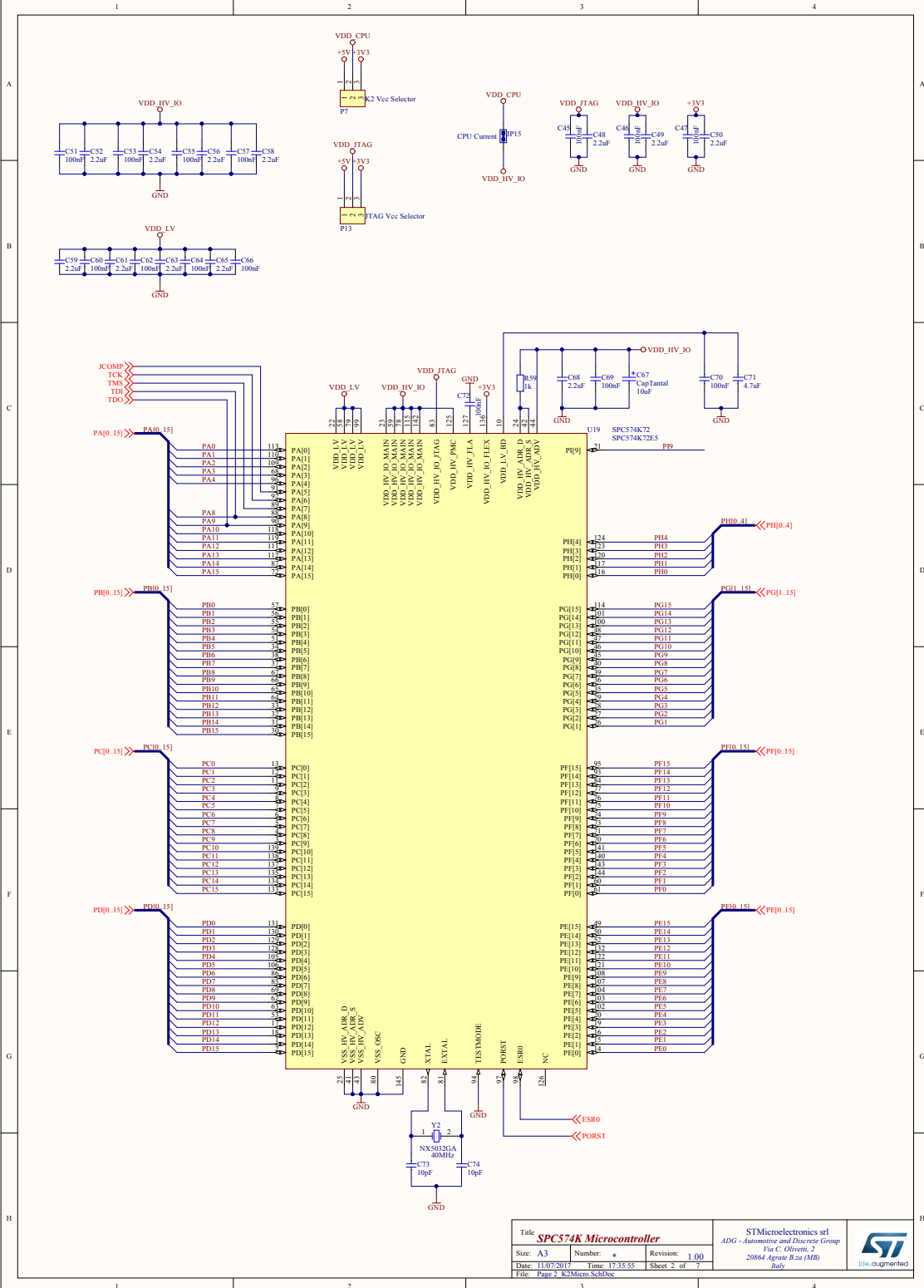
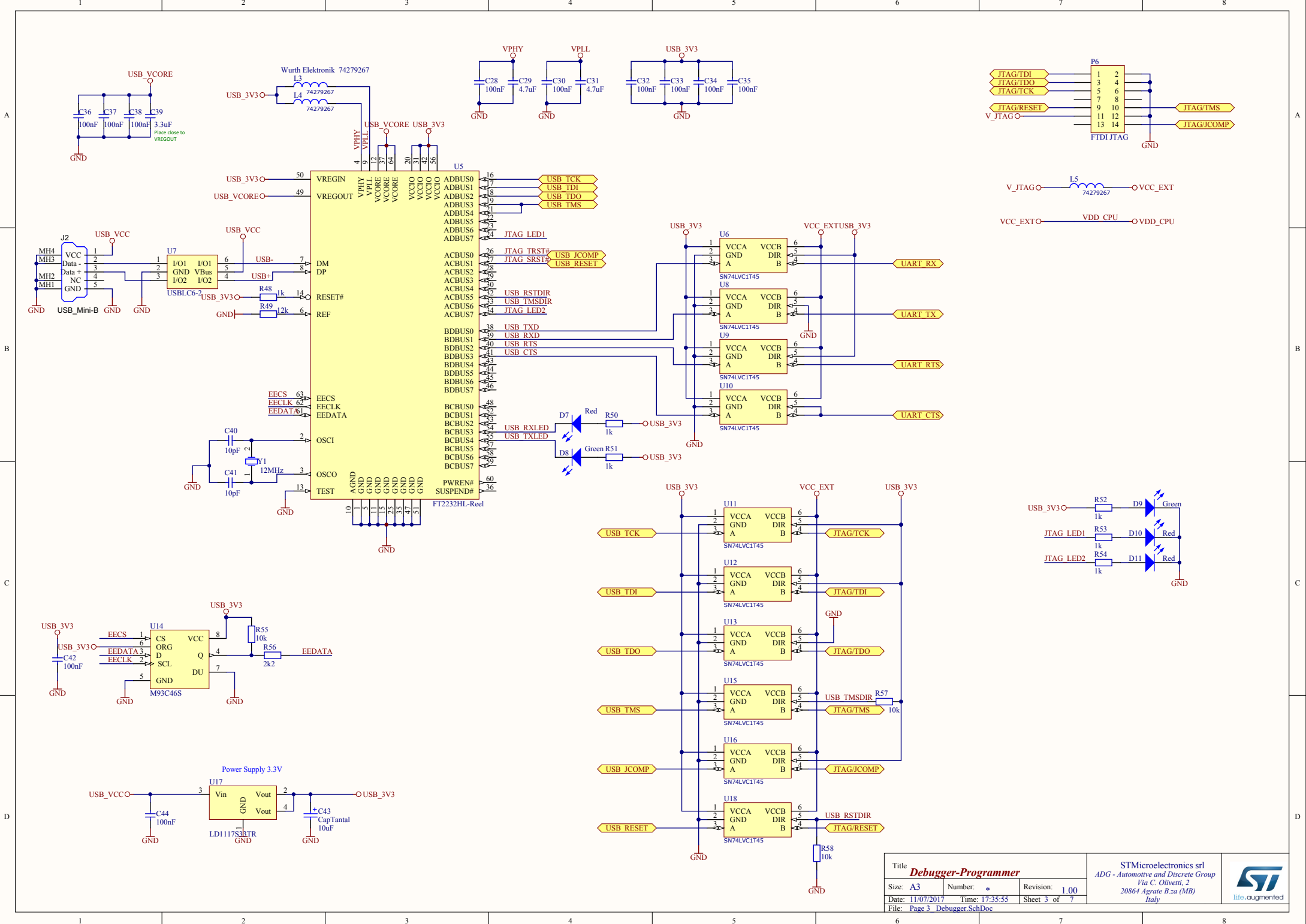


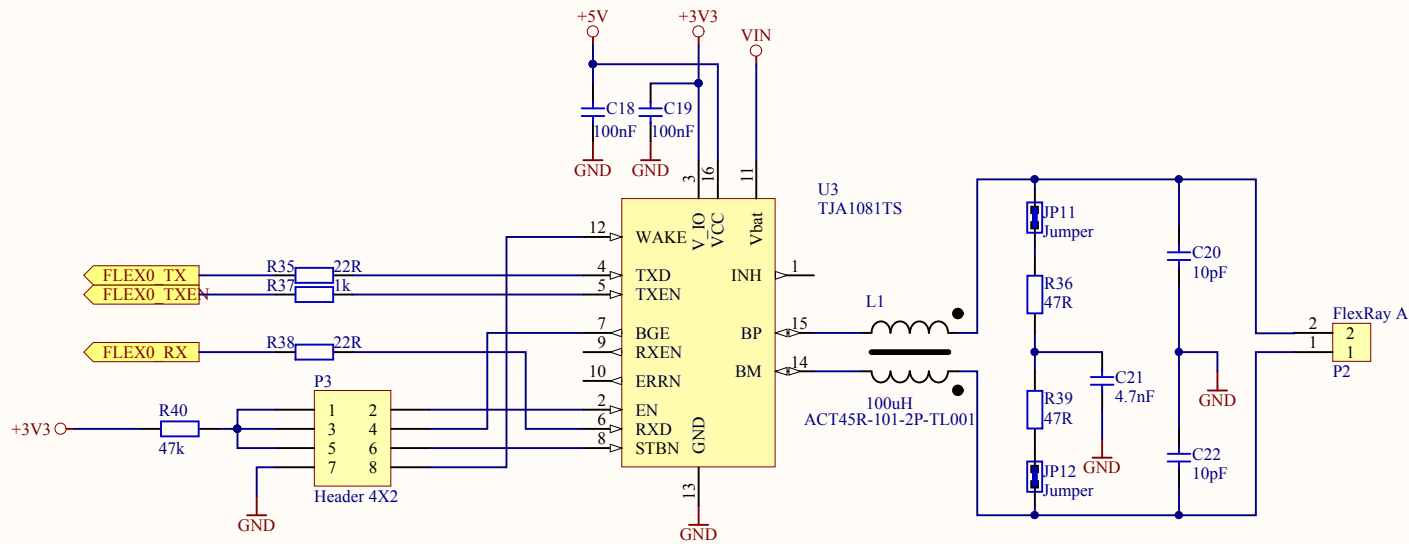
Title Power Management		
Size: A4	Number: *	Revision: 1.00
Date: 11/07/2017	Time: 17:35:54	Sheet 1 of 7
File: Page 1 PowerManagement.SchDoc		

STMicroelectronics srl
 ADG - Automotive and Discrete Group
 Via C. Olivetti, 2
 20864 Agrate B.za (MB)
 Italy

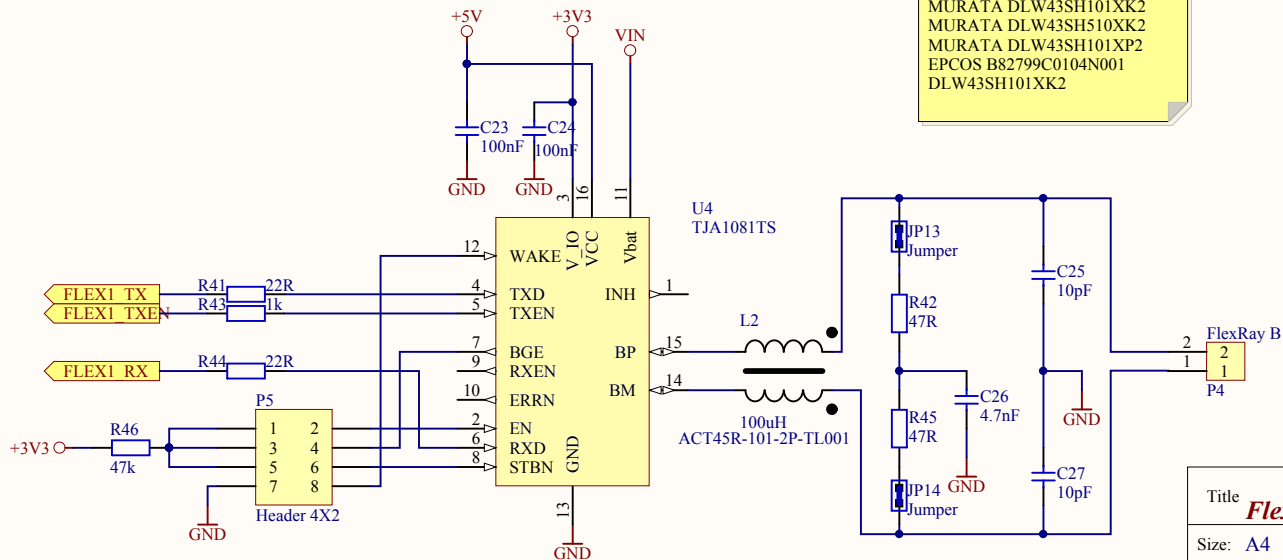
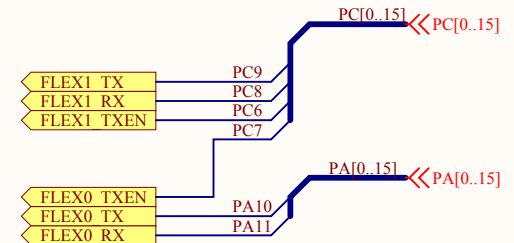





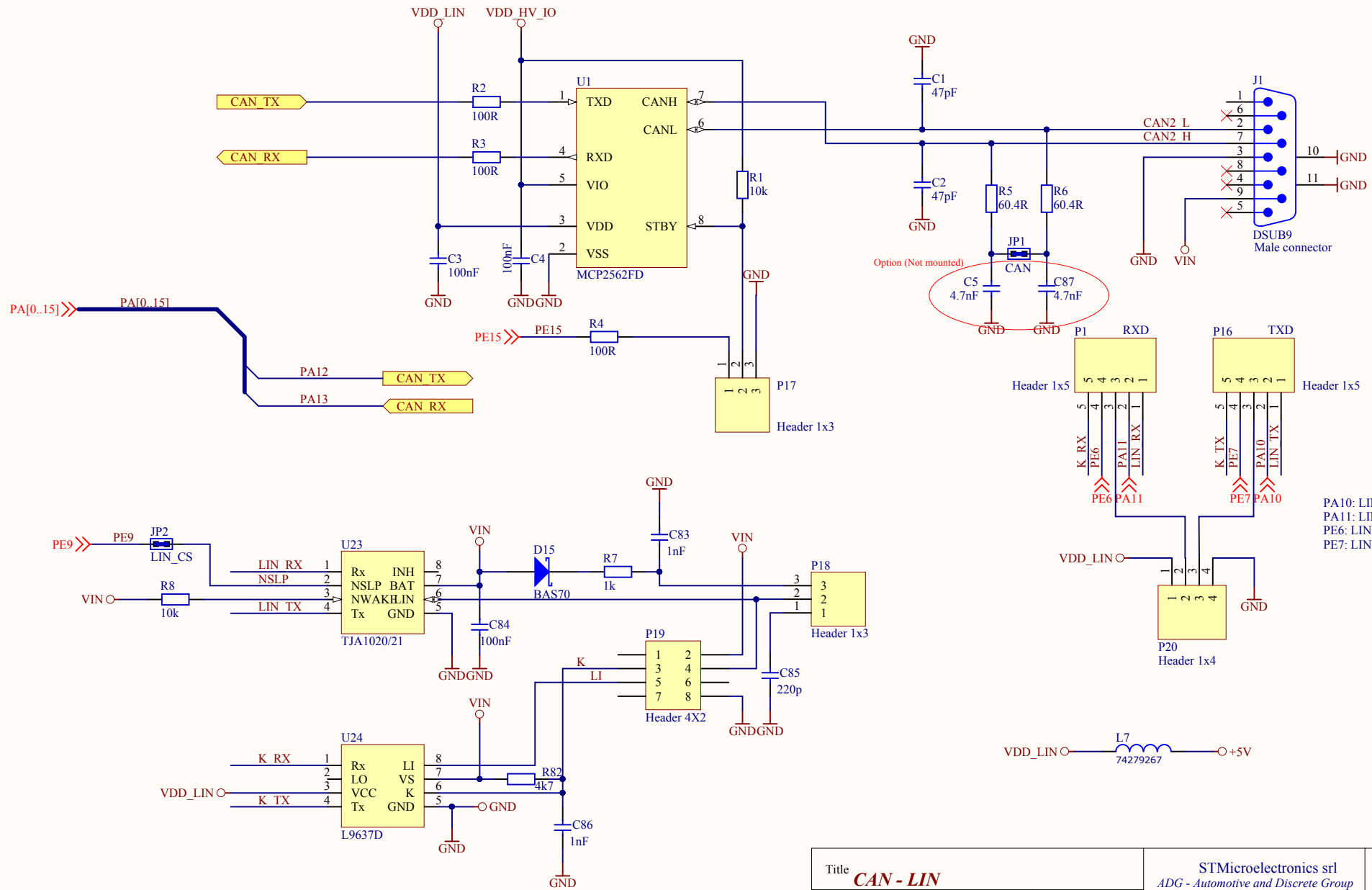





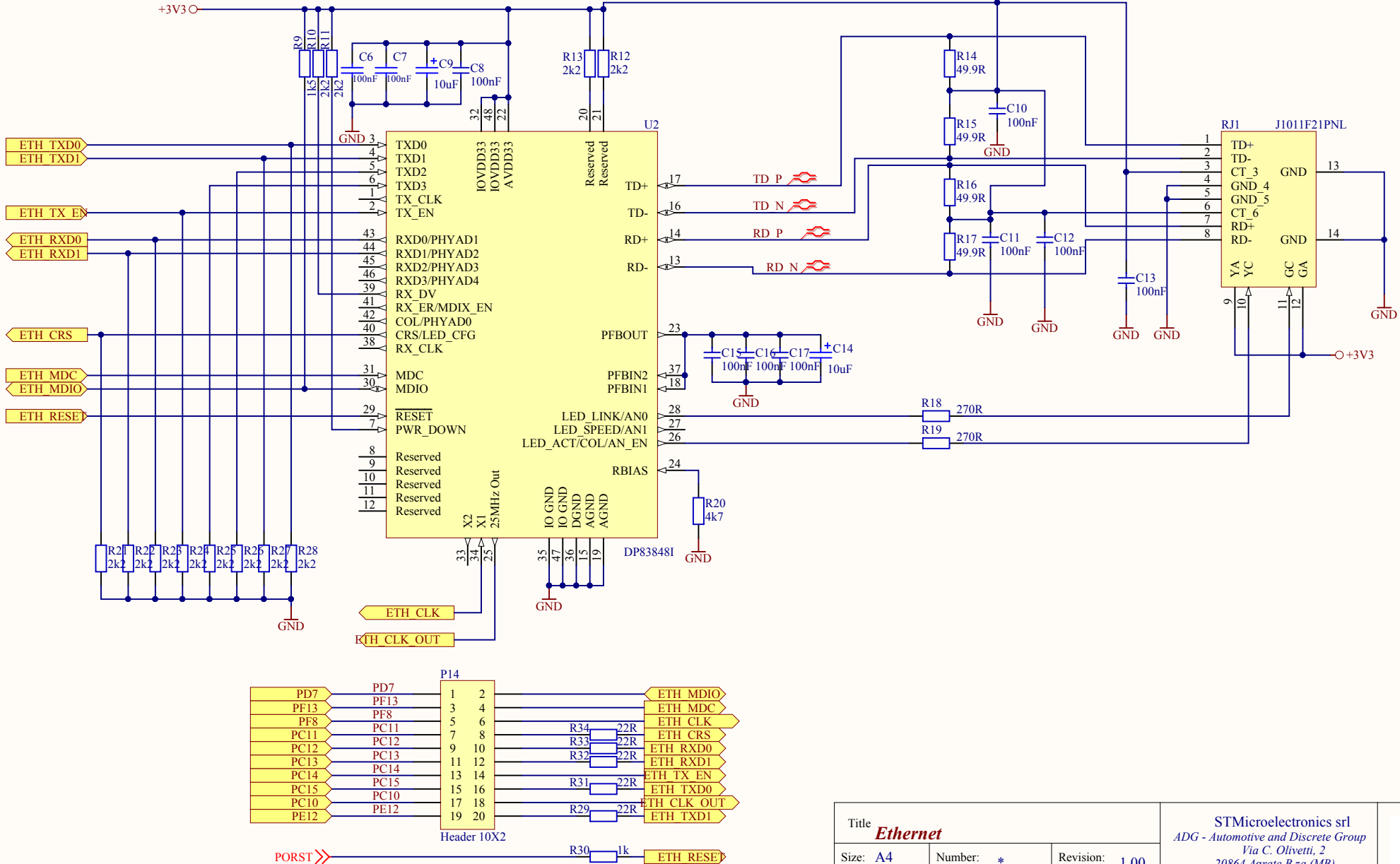
Alternatives for Choke
 MURATA DLW43SH101XK2
 MURATA DLW43SH510XK2
 MURATA DLW43SH101XP2
 EPCOS B82799C0104N001
 DLW43SH101XK2




Title FlexRay			STMicroelectronics srl ADG - Automotive and Discrete Group Via C. Olivetti, 2 20864 Agrate B.za (MB) Italy		 life.augmented
Size: A4	Number: *	Revision: 1.00			
Date: 11/07/2017	Time: 17:35:55	Sheet 4 of 7			
File: Page 4 FlexRay.SchDoc					



Title CAN - LIN			STMicroelectronics srl ADG - Automotive and Discrete Group Via C. Olivetti, 2 20864 Agrate B.za (MB) Italy		 life.augmented
Size: A4	Number: *	Revision: 1.00			
Date: 11/07/2017	Time: 17:35:55	Sheet 5 of 7			
File: Page 5 CAN_LIN.SchDoc					



Title Ethernet		STMicroelectronics srl ADG - Automotive and Discrete Control Via C. Olivetti, 2 20864 Agrate B.za (MB) Italy		 life.augmented
Size: A4	Number: *	Revision: 1.00		
Date: 11/07/2017	Time: 17:35:55	Sheet 6 of 7		
File: Page 6 Ethernet.SchDoc				

1

2

3

4

1

2

3

4

