

NUCLEO-G070RB

MB1360

Table of contents

- Sheet 1: Project overview (this page)
- Sheet 2: MB1360_Top
- Sheet 3: STM32_microcontroller_IOs
- Sheet 4: STM32_microcontroller_PWR
- Sheet 5: Arduino extension connectors
- Sheet 6: Power
- Sheet 7: ST_LINK_V2-1
- Sheet 8: HW_Mechanical_Parts

Top
MB1360_TOP.SchDoc

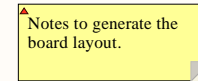


Legend

General comment such as function title, configuration, ...

Text to be added to silkscreen.

Warning text.



OPEN PLATFORM LICENSE AGREEMENT

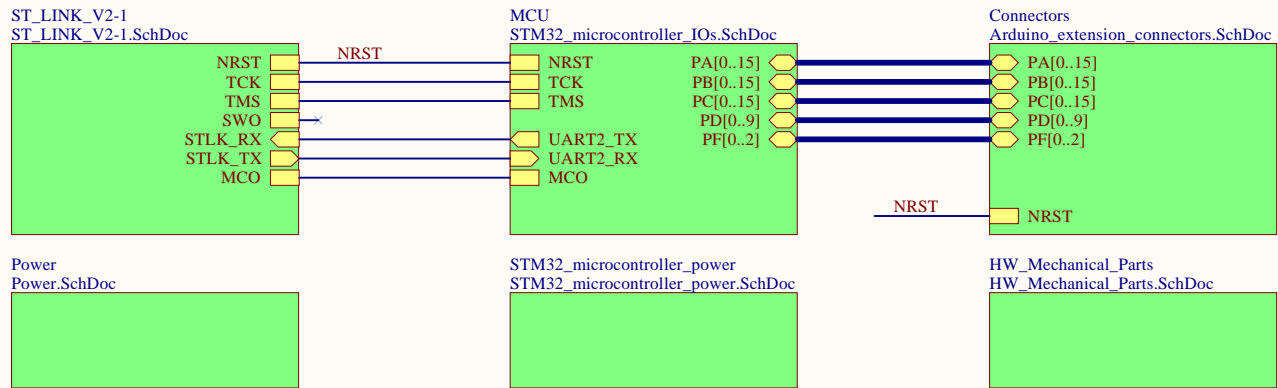
The Open Platform License Agreement (“Agreement”) is a binding legal contract between you (“You”) and STMicroelectronics International N.V. (“ST”), a company incorporated under the laws of the Netherlands acting for the purpose of this Agreement through its Swiss branch 39, Chemin du Champ des Filles, 1228 Plan-les-Ouates, Geneva, Switzerland.

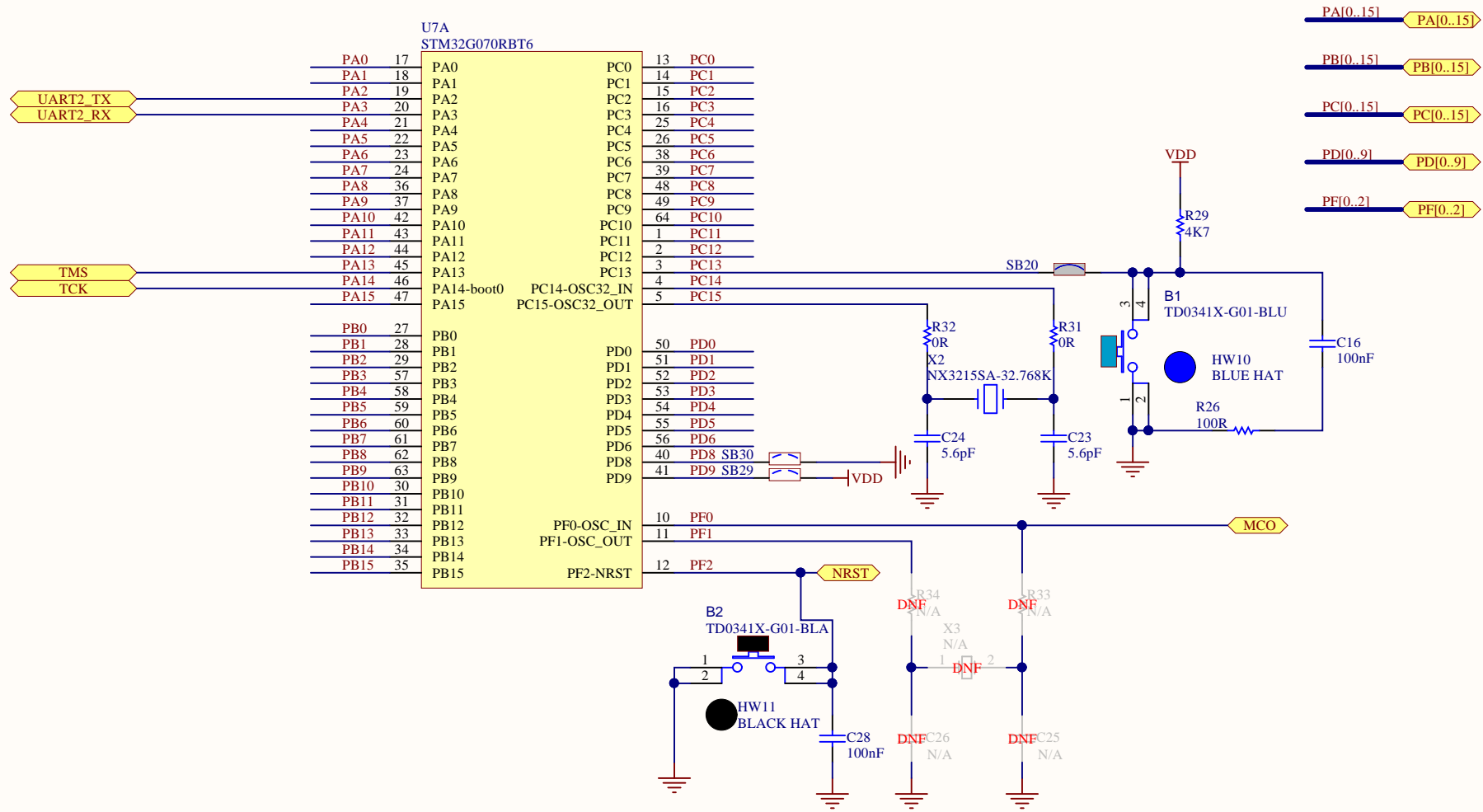
By using the enclosed reference designs, schematics, PC board layouts, and documentation, in hardcopy or CAD tool file format (collectively, the “Reference Material”), You are agreeing to be bound by the terms and conditions of this Agreement. Do not use the Reference Material until You have read and agreed to this Agreement terms and conditions. The use of the Reference Material automatically implies the acceptance of the Agreement terms and conditions.

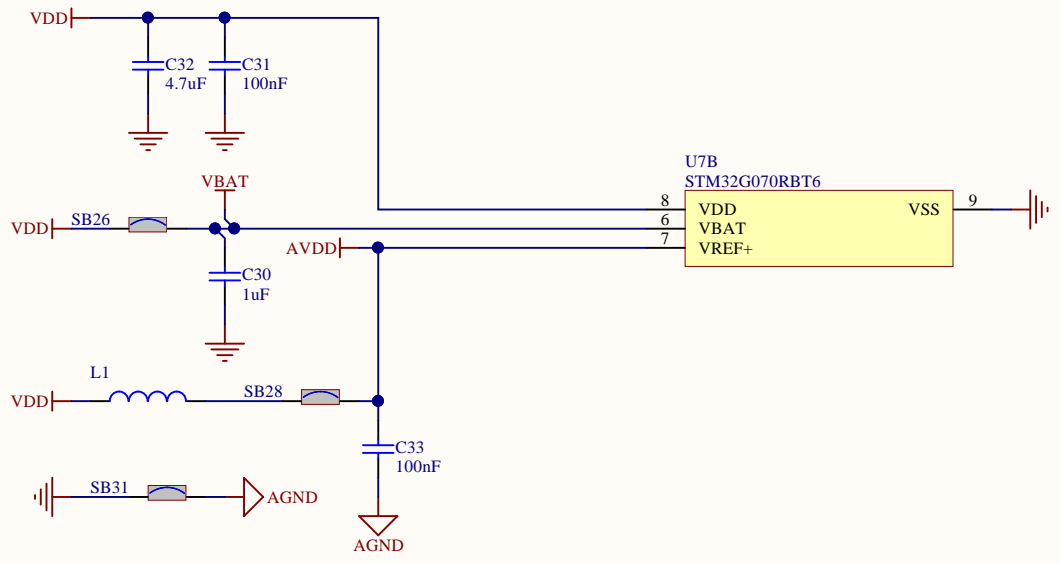
The complete Open Platform License Agreement can be found on www.st.com/opla.

Title: Project overview		
Project: NUCLEO-G070RB		
Variant: G070RB		
Revision: C-01		Reference: MB1360
Size: A4	Date: 11-JUNE-18	Sheet: 1 of 8

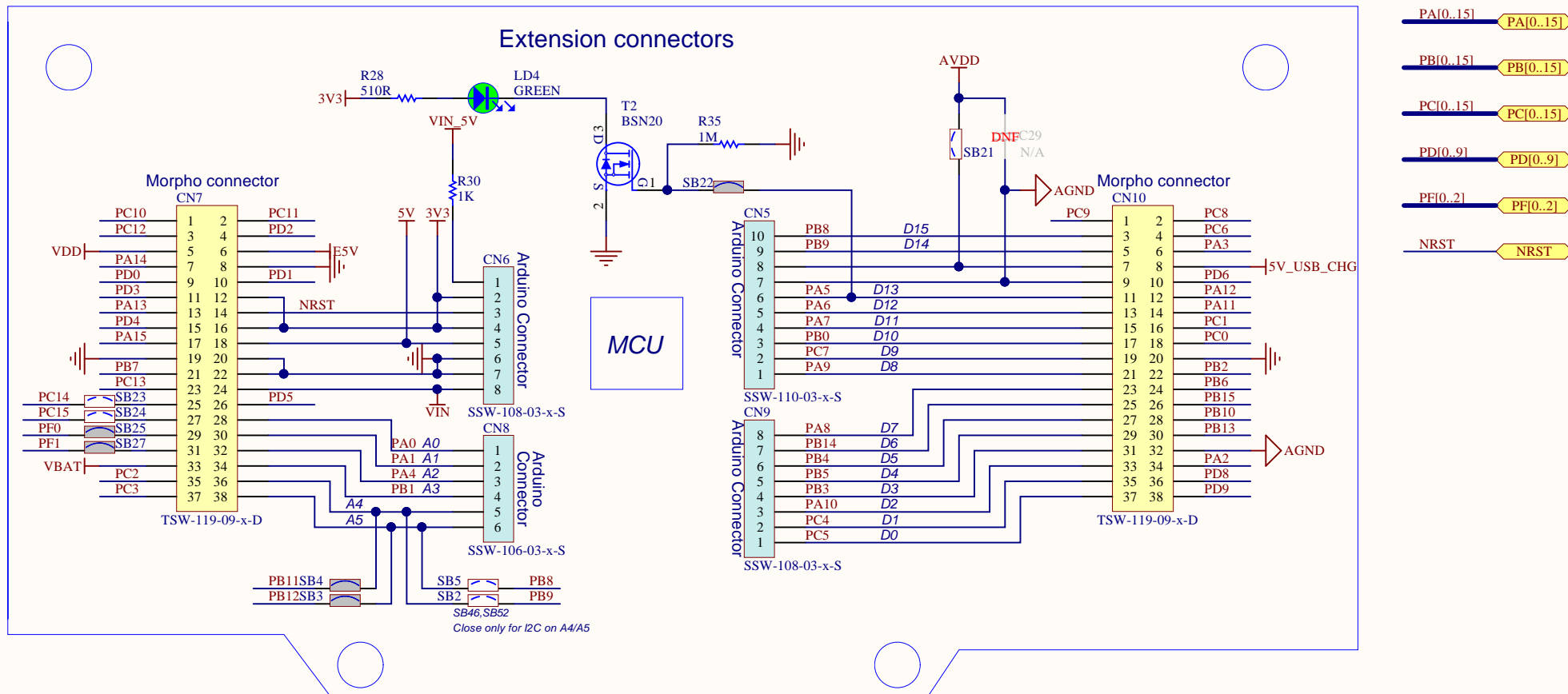


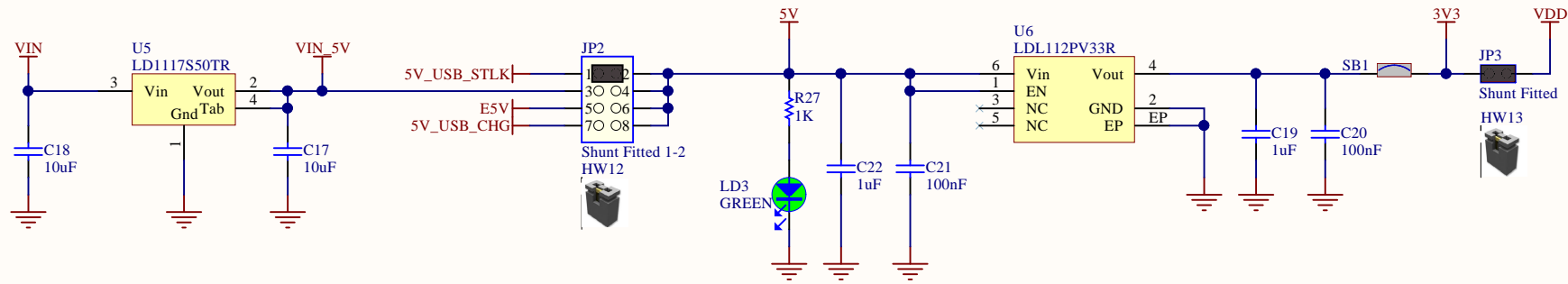






Extension connectors





HW Mechanical parts

HW1
MB1360B01.XXXX

BOARD REF

HW2
NUCLEO-G071RB

BOARD CPN

HW4
MB1360B

PCB

