


A

B

C

D

ADuCM4x50 WLCSP EZ-KIT Schematic

		2 Elizabeth Drive Chelmsford, MA 01824 PH: 1-800-ANALOGD	
Title		ADuCM4x50 WLCSP EZ-KIT	
Size		Board No.	
C		A0919-2016	Rev 1.1
Date	02/28/17	Sheet	1 of 10

A

B

C

D

1

1

2

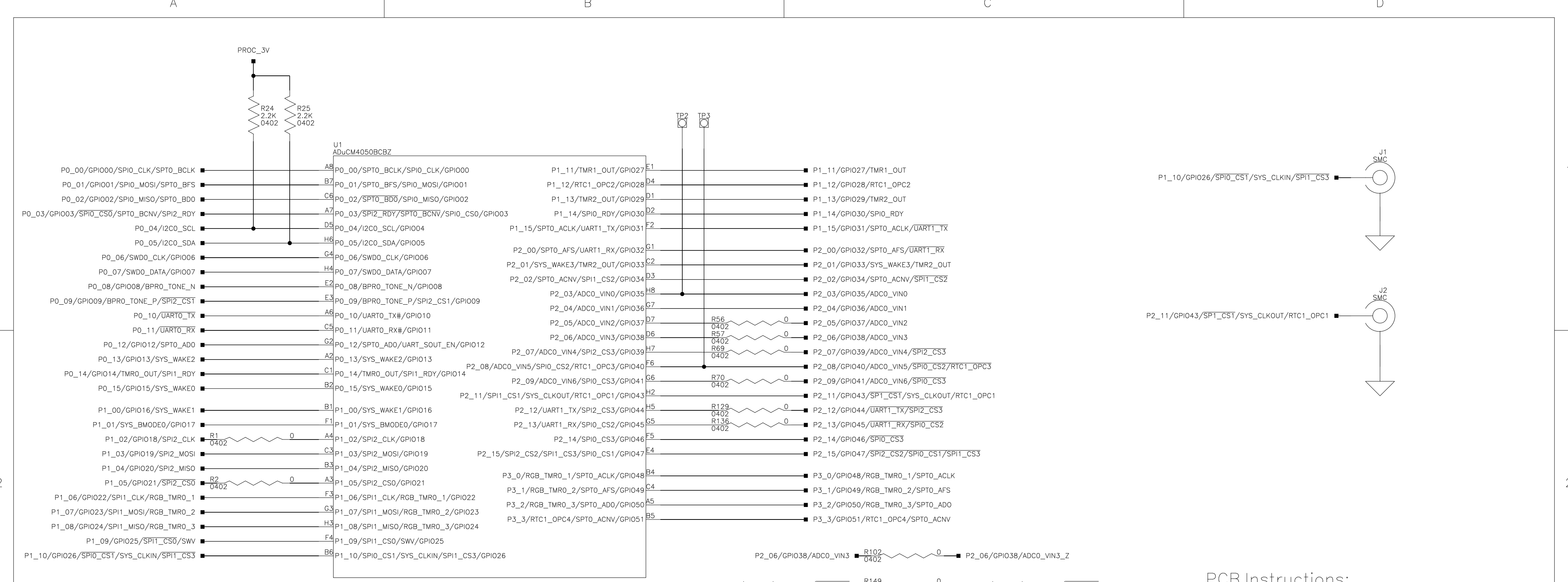
2

3

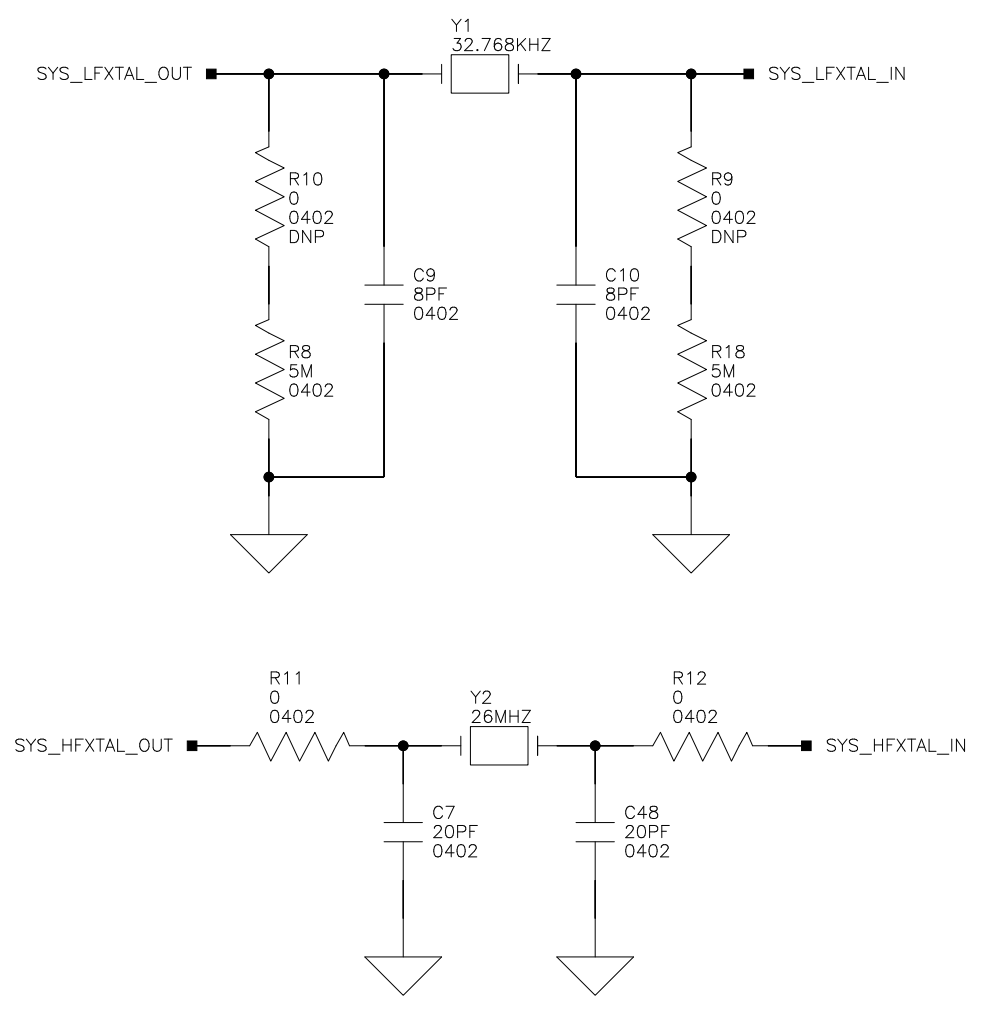
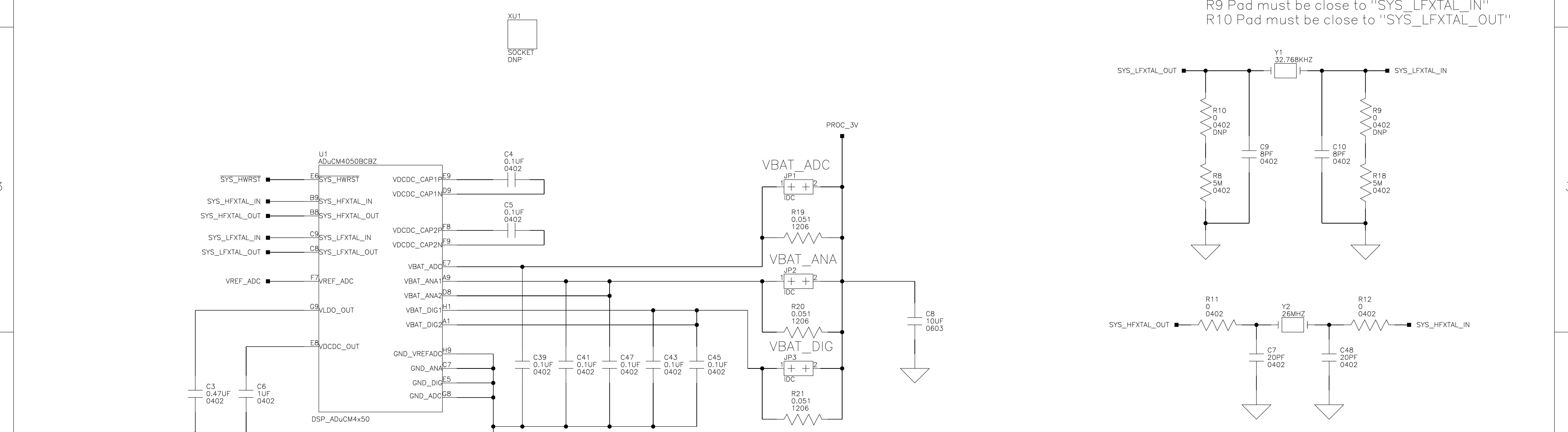
3


4

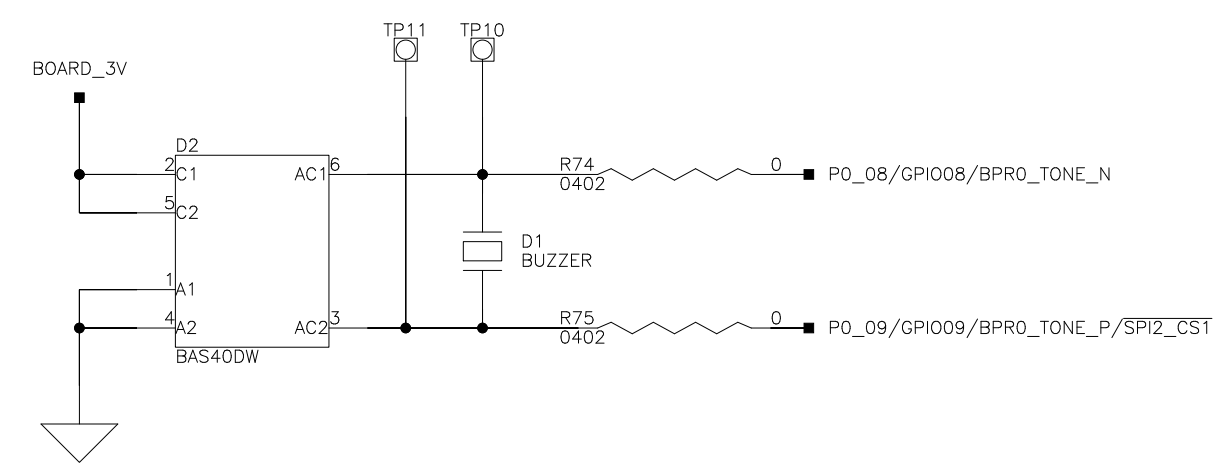
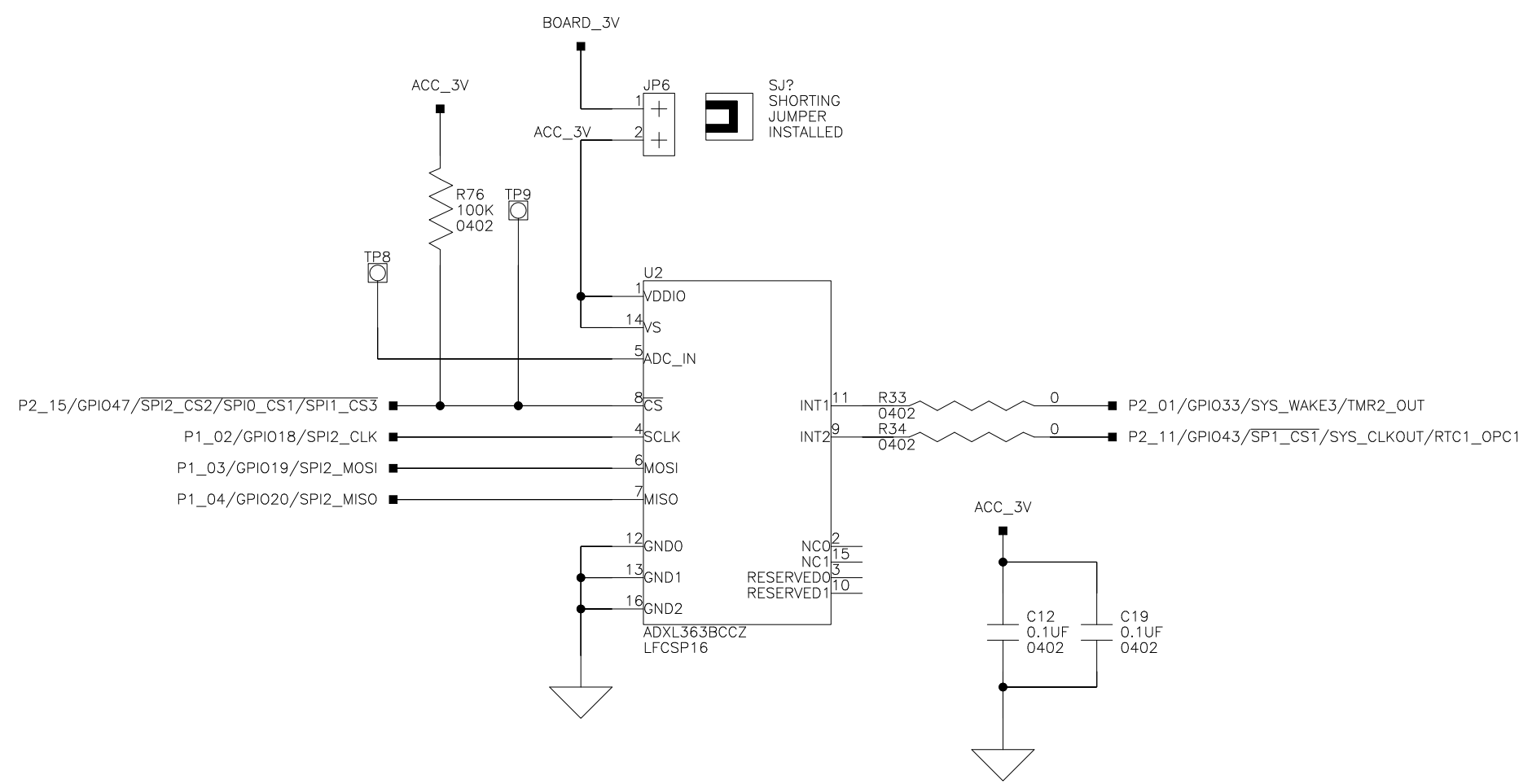
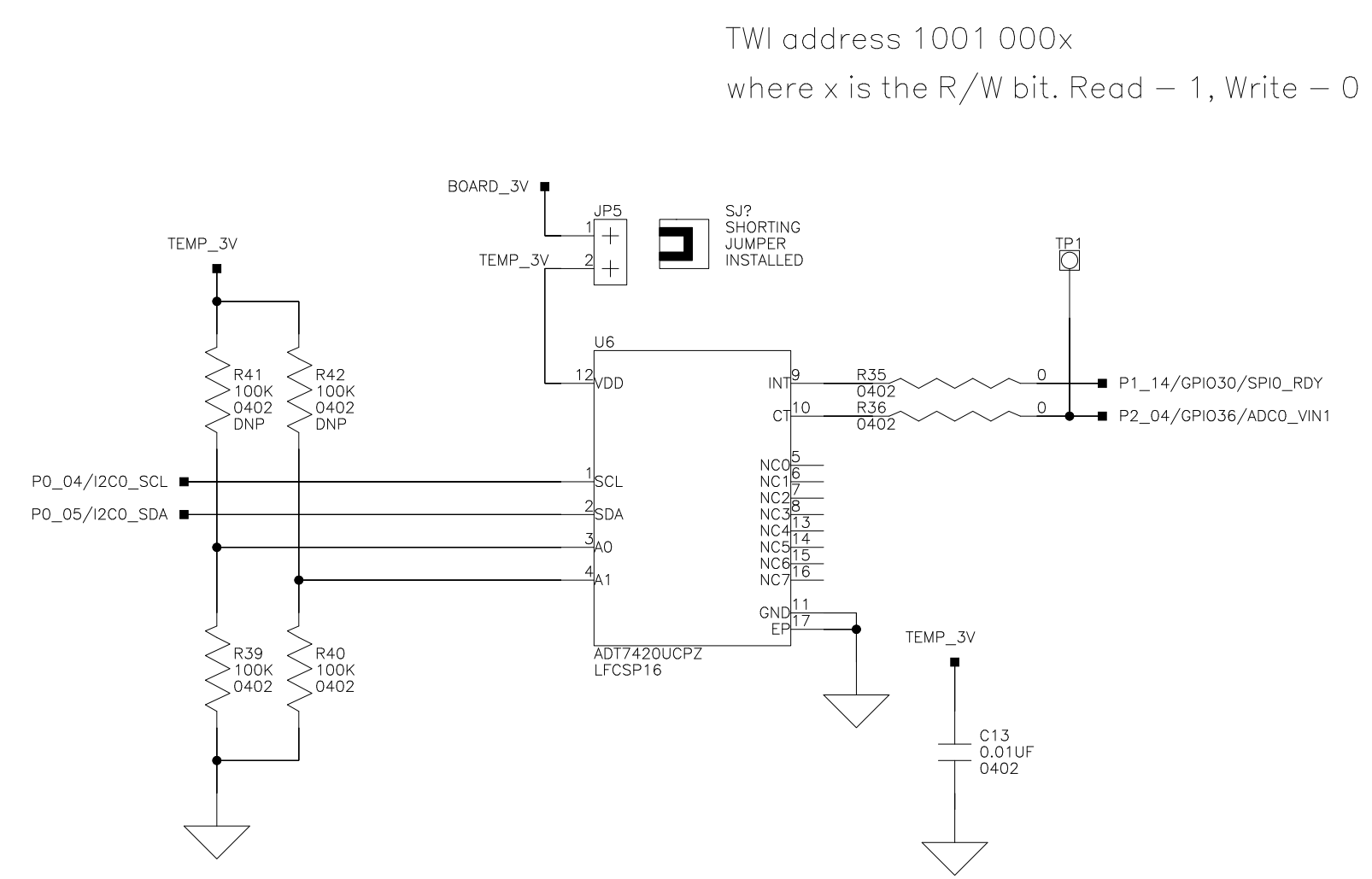
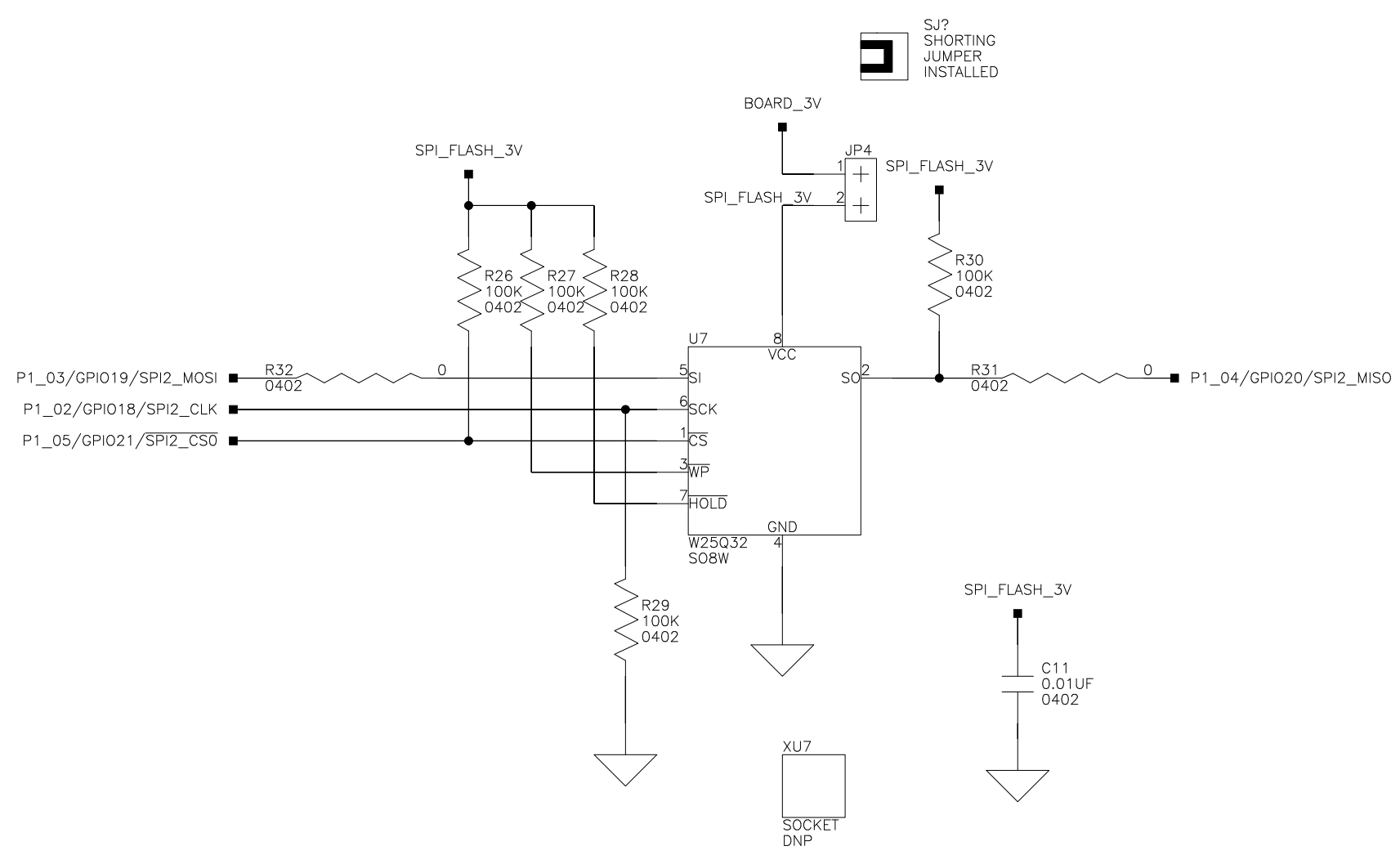
4




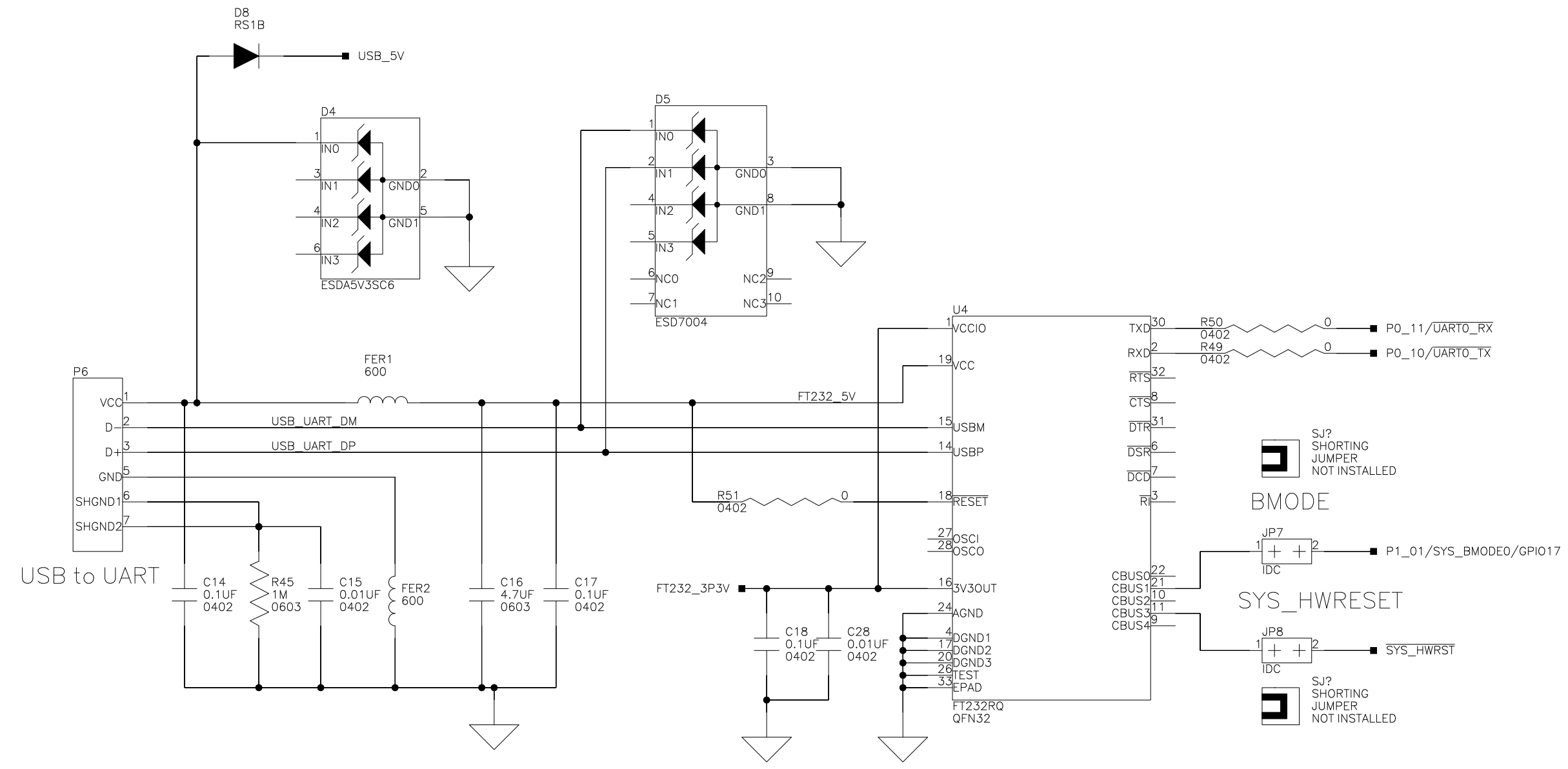
PCB Instructions:
 R9 Pad must be close to "SYS_LFXTAL_IN"
 R10 Pad must be close to "SYS_LFXTAL_OUT"




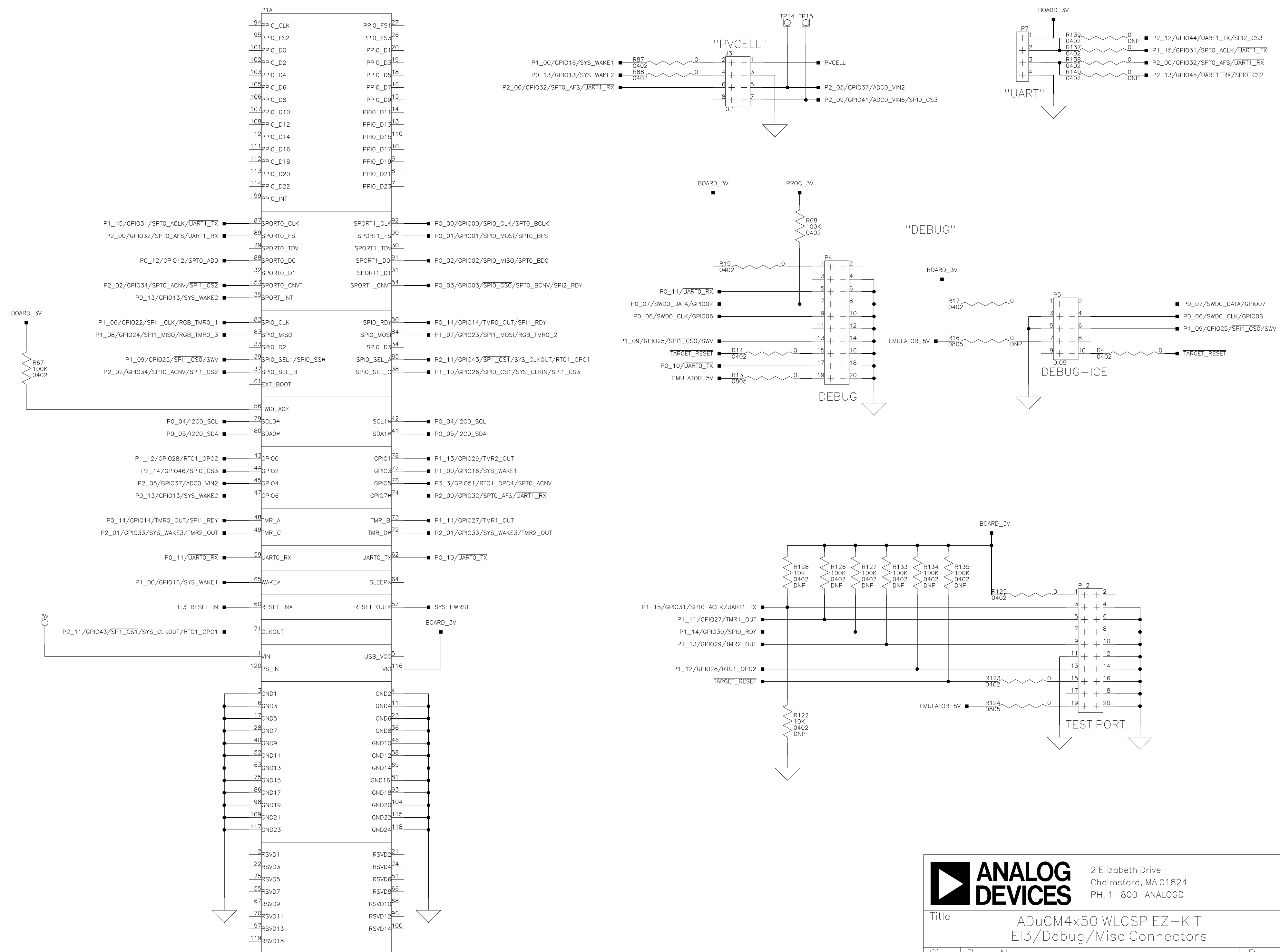
		2 Elizabeth Drive Chelmsford, MA 01824 PH: 1-800-ANALOGD	
		Title ADuCM4x50 WLCSP EZ-KIT Processor/Crystals	
Size C	Board No. A0919-2016	Rev 1.1	
Date 02/28/17	Sheet 2 of 10		



		2 Elizabeth Drive Chelmsford, MA 01824 PH: 1-800-ANALOGD	
		Title ADuCM4x50 WLCSP EZ-KIT SPI flash/Temp Sensor/Accelerometer/Buzzer	
Size C	Board No. A0919-2016	Rev 1.1	
Date 02/28/17	Sheet 3 of 10		

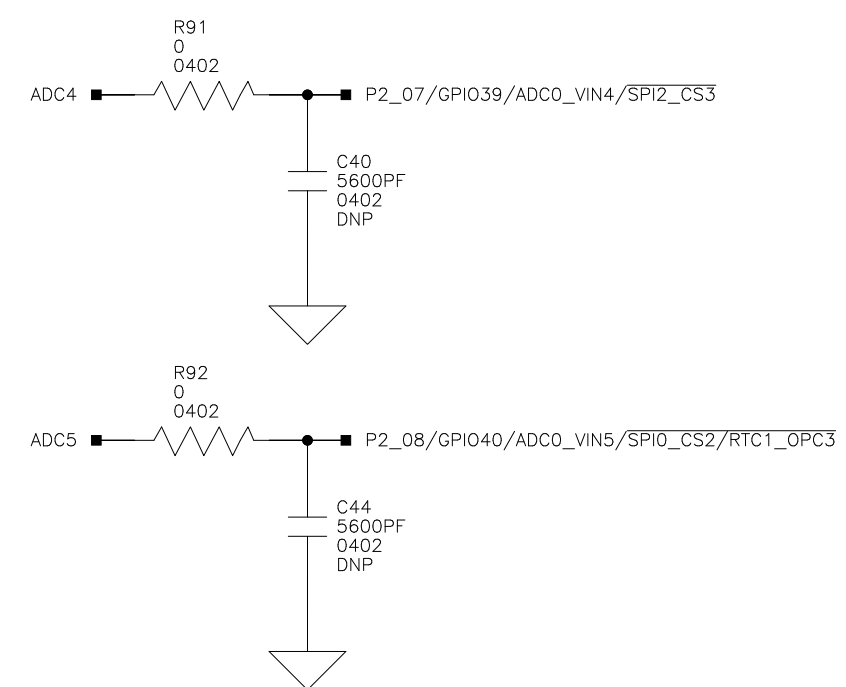
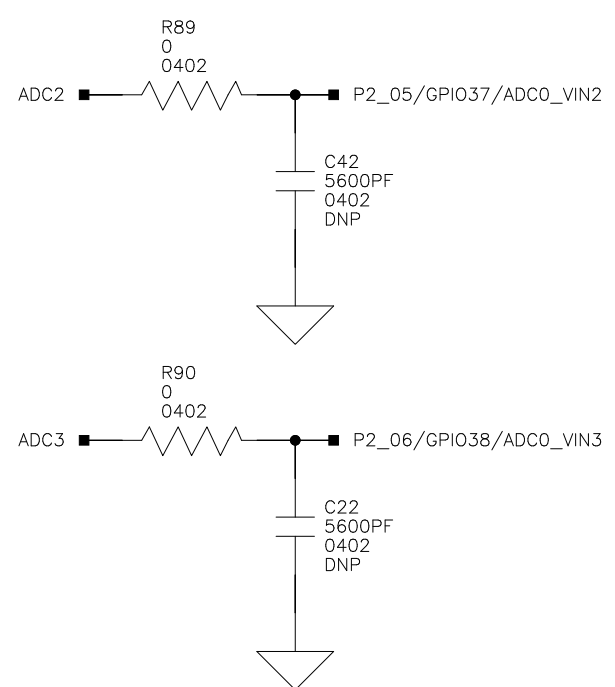
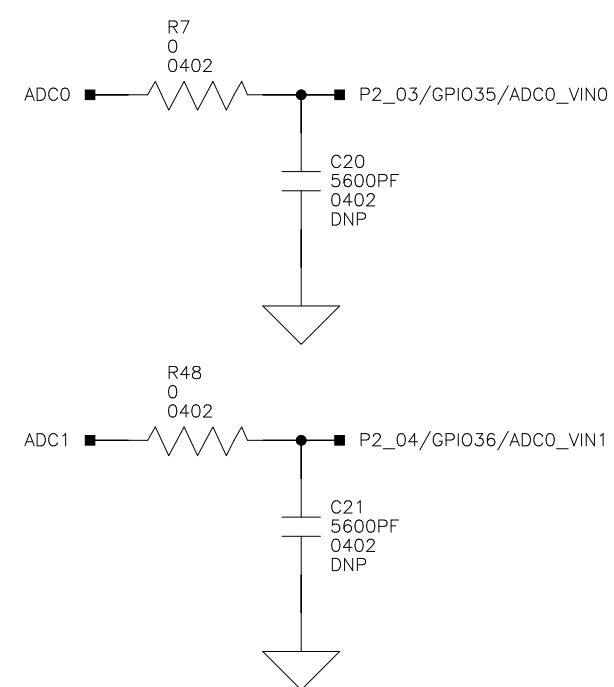
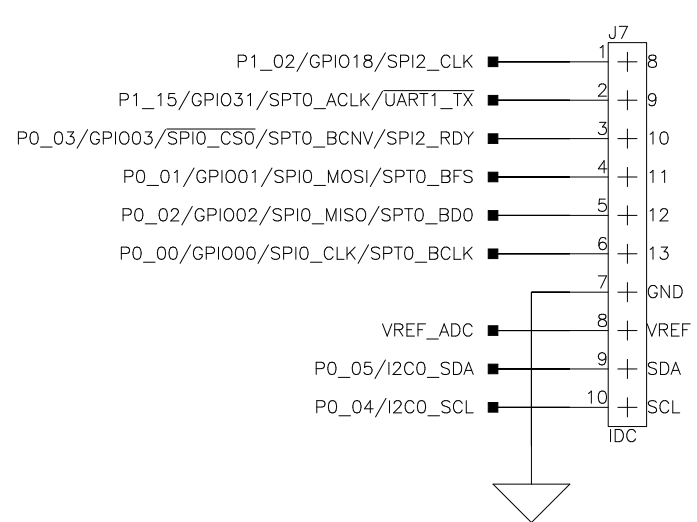
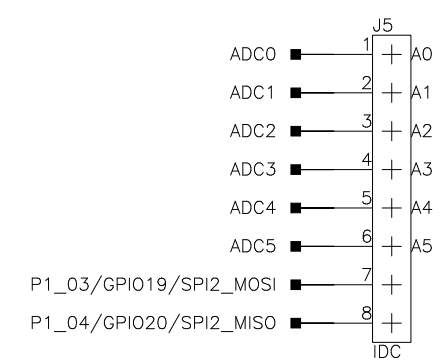
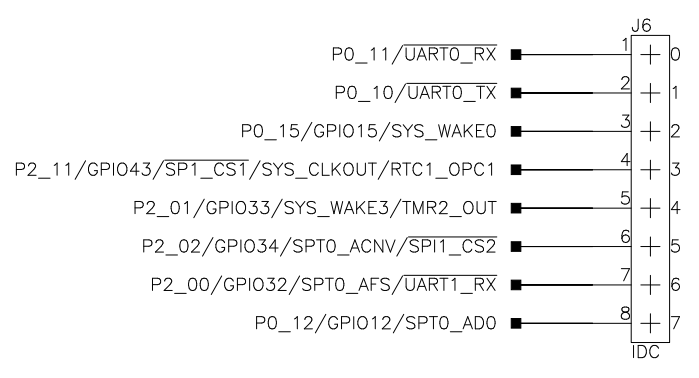
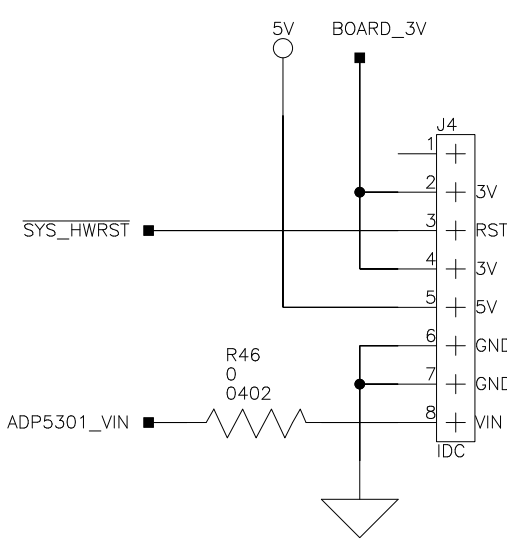


		2 Elizabeth Drive Chelmsford, MA 01824 PH: 1-800-ANALOGD	
Title ADuCM4x50 WLCSP EZ-KIT USB to UART			
Size C	Board No. A0919-2016	Rev 1.1	
Date 02/28/17	Sheet 4 of 10		

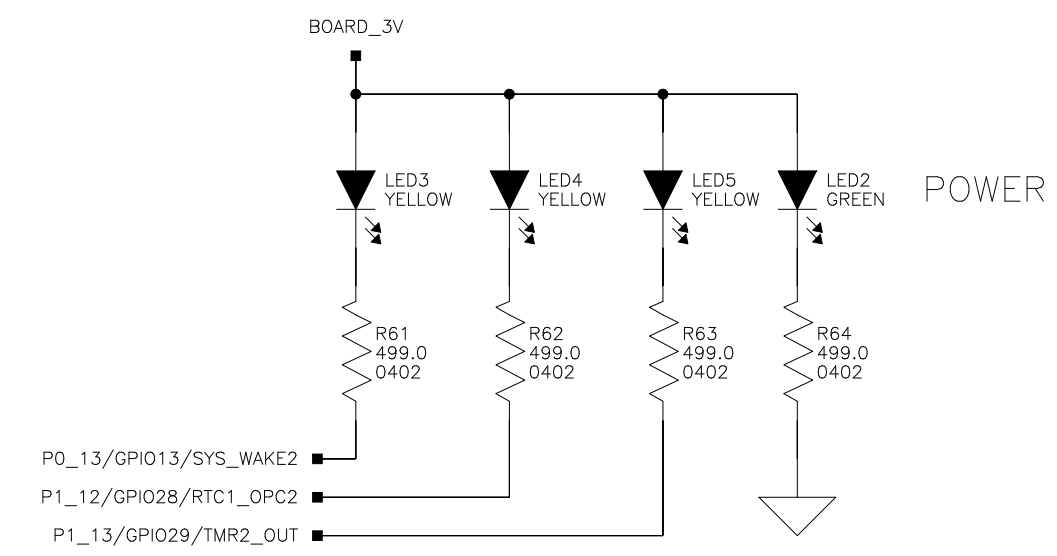
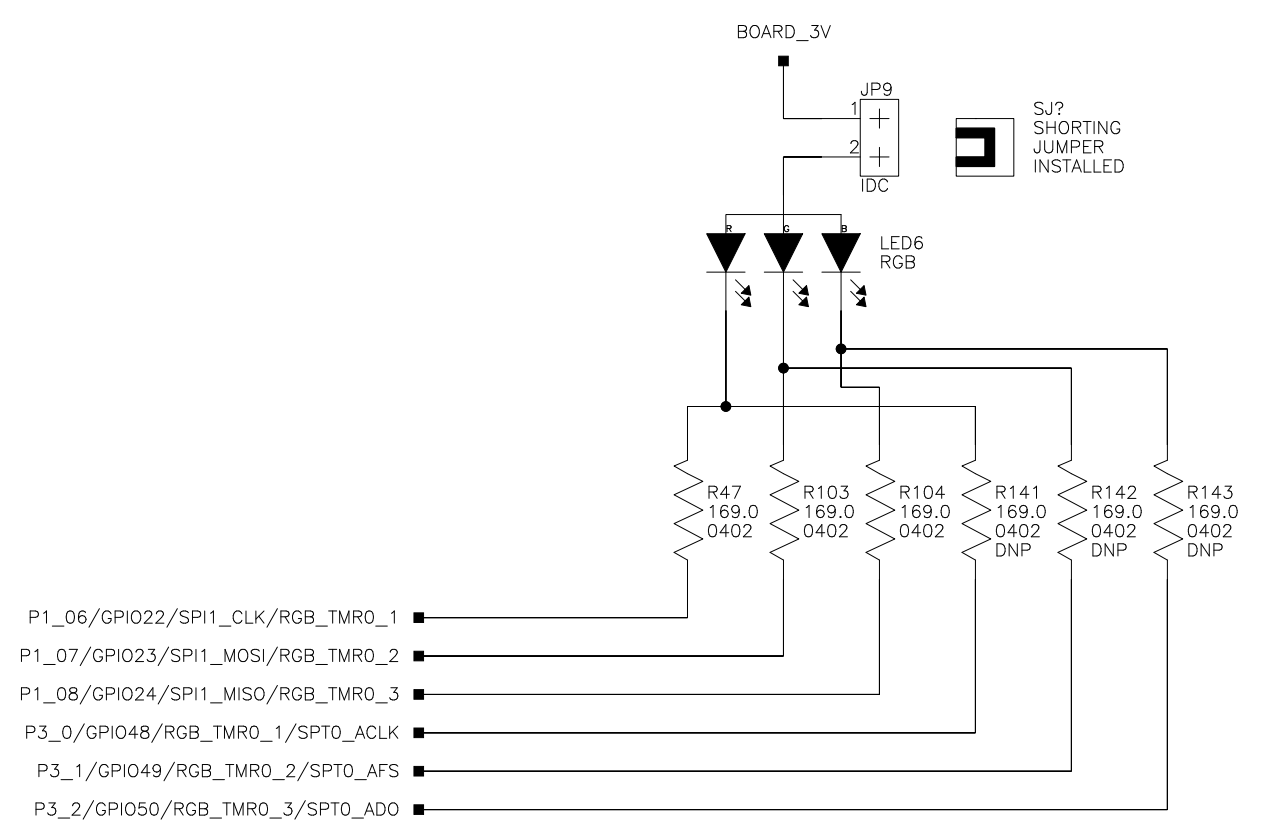
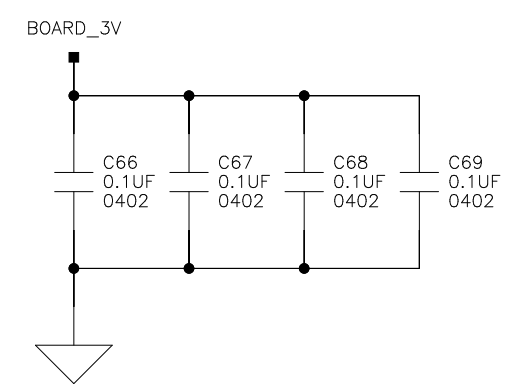
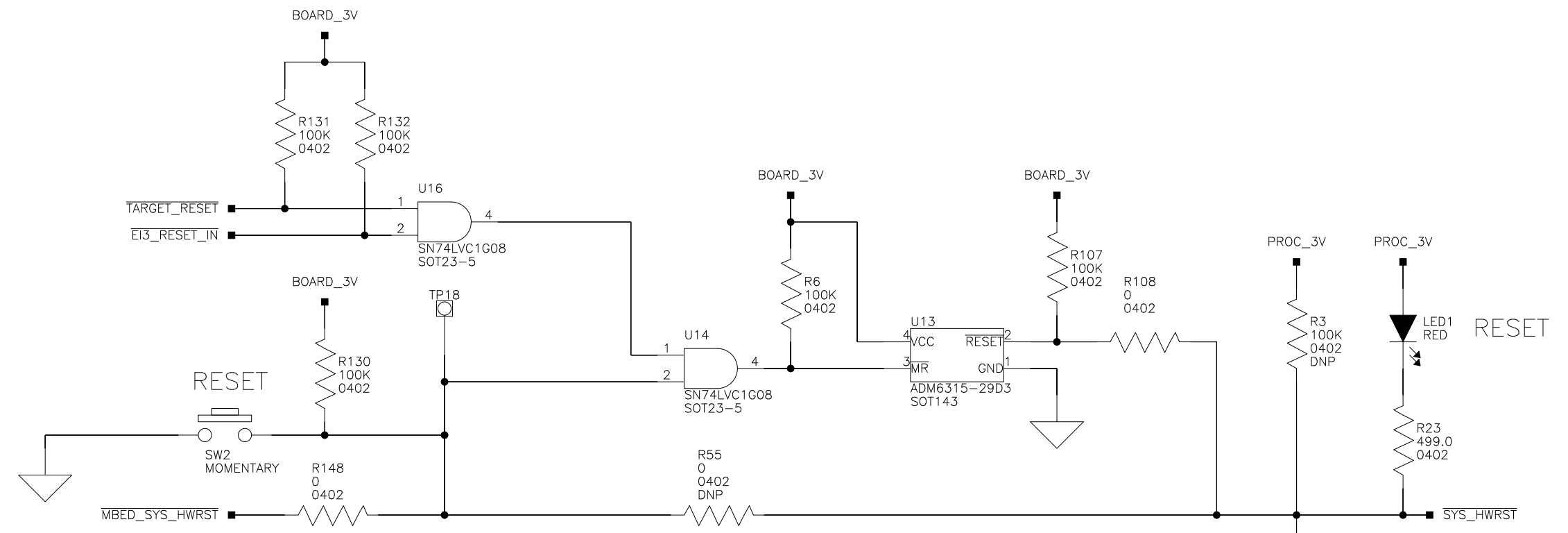
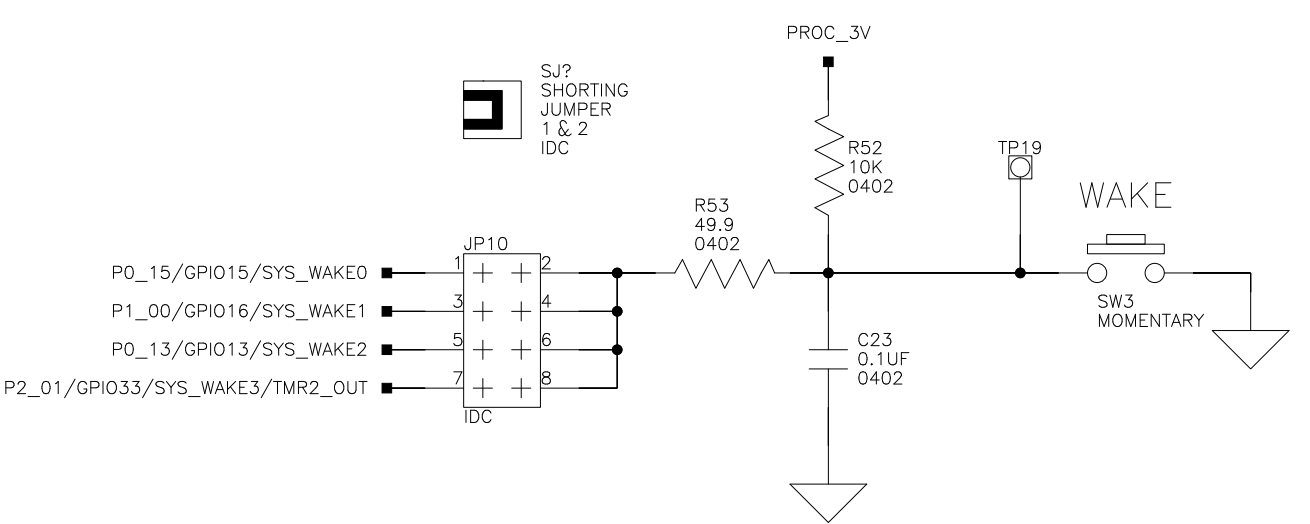
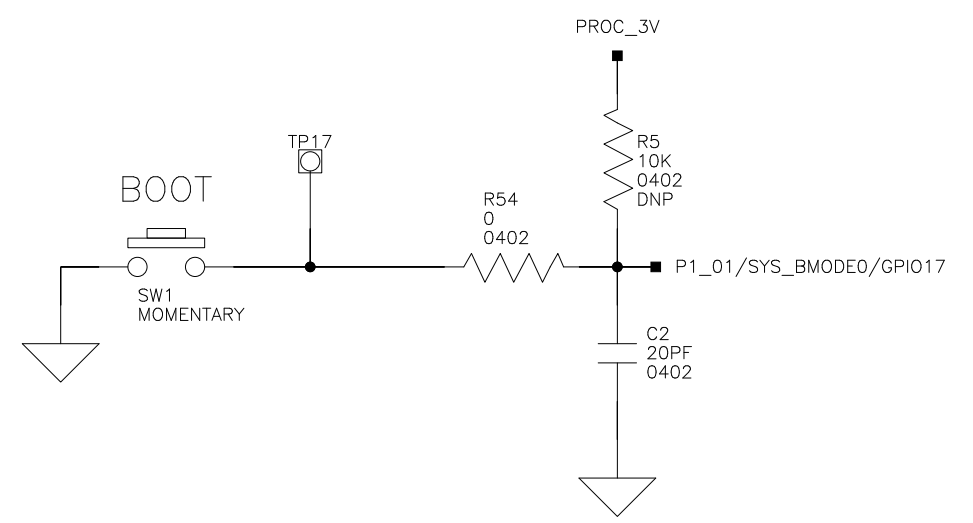
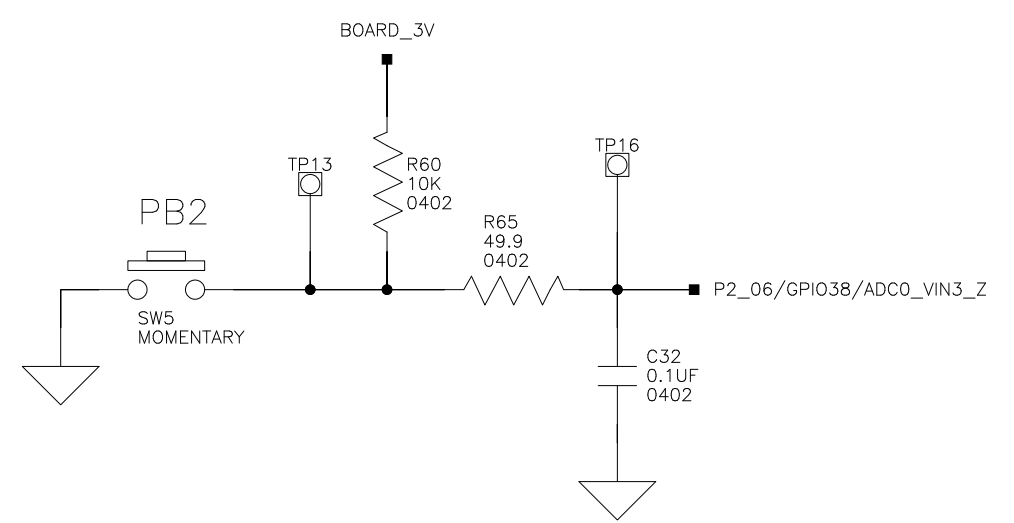
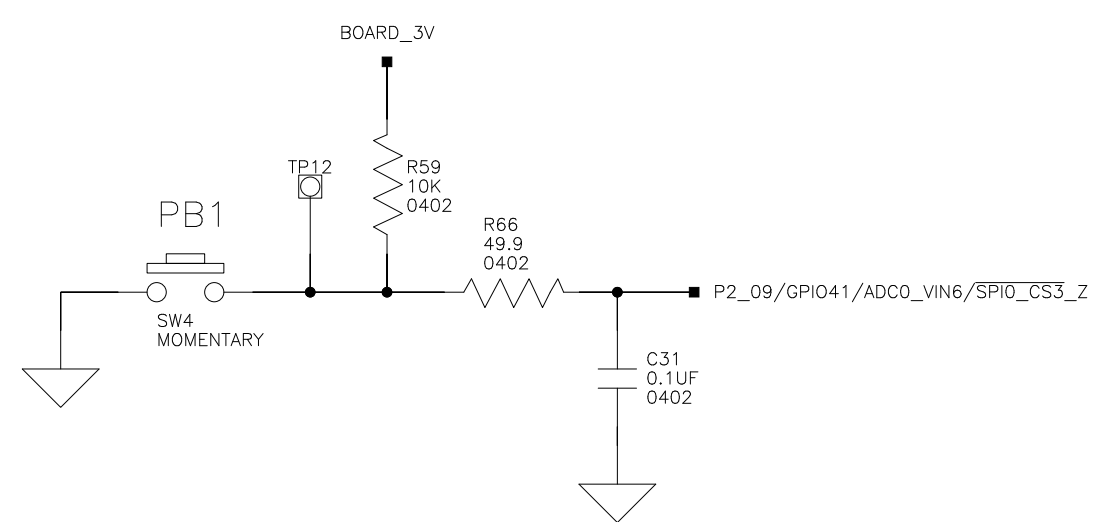



ANALOG DEVICES
 2 Elizabeth Drive
 Chelmsford, MA 01824
 PH: 1-800-ANALOGD

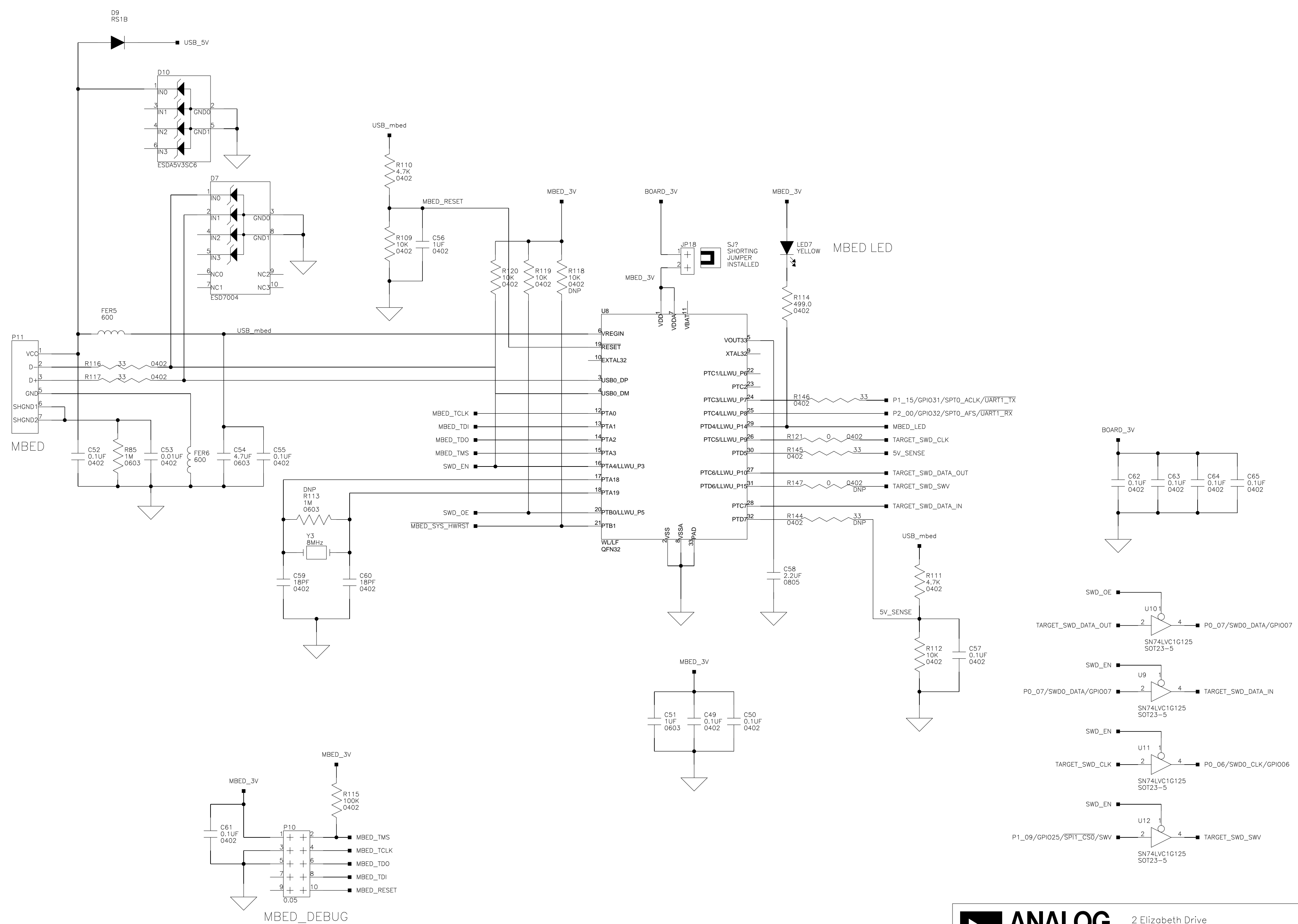
Title		ADuCM4x50 WLCSP EZ-KIT E13/Debug/Misc Connectors	
Size	Board No.	Rev	
C	A0919-2016	1.1	
Date	02/28/17	Sheet	5 of 10



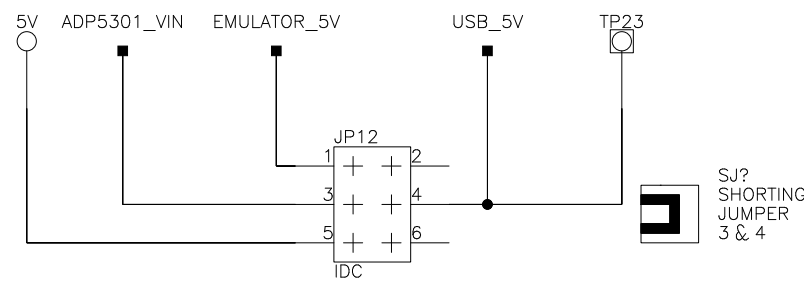
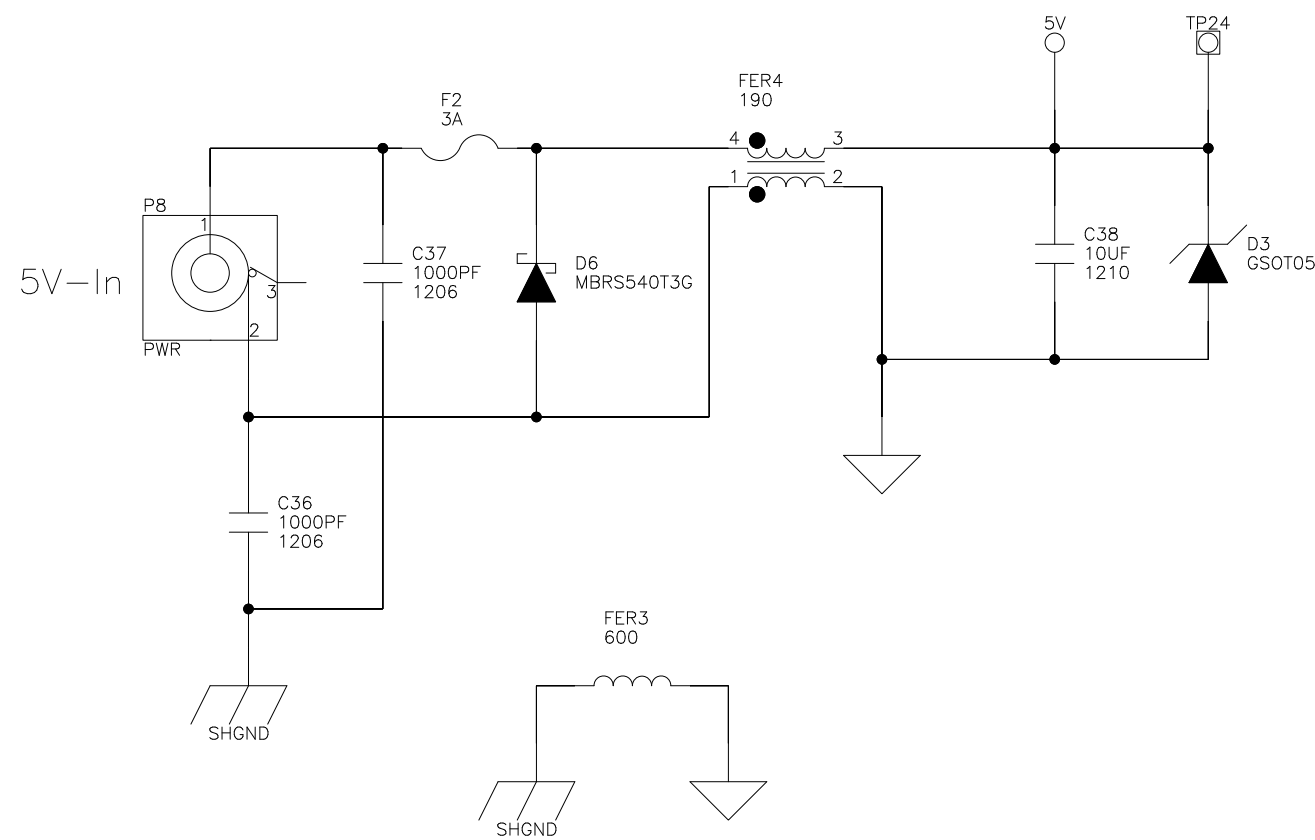
		2 Elizabeth Drive Chelmsford, MA 01824 PH: 1-800-ANALOGD	
		Title: ADuCM4x50 WLCSP EZ-KIT Arduino Interface	
Size C	Board No.	A0919-2016	Rev 1.1
Date	02/28/17	Sheet 6	of 10



		2 Elizabeth Drive Chelmsford, MA 01824 PH: 1-800-ANALOGD	
Title ADuCM4x50 WLCSP EZ-KIT Switches/LEDs/Reset			
Size C	Board No.	A0919-2016	Rev 1.1
Date	02/28/17	Sheet 8	of 10

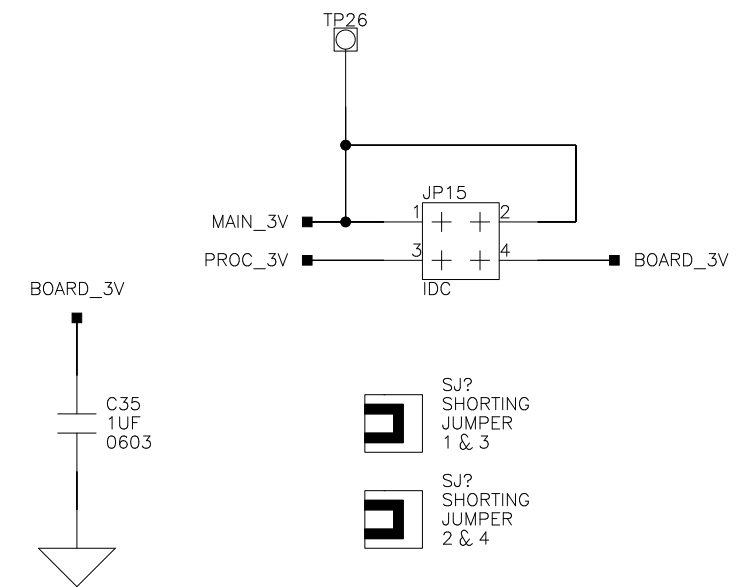
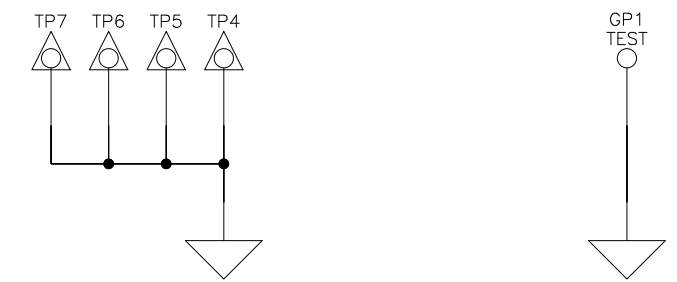


		2 Elizabeth Drive Chelmsford, MA 01824 PH: 1-800-ANALOGD	
		Title ADuCM4x50 WLCSP EZ-KIT mbed Interface	
Size C	Board No. A0919-2016	Rev 1.1	
Date 02/28/17	Sheet 9 of 10		

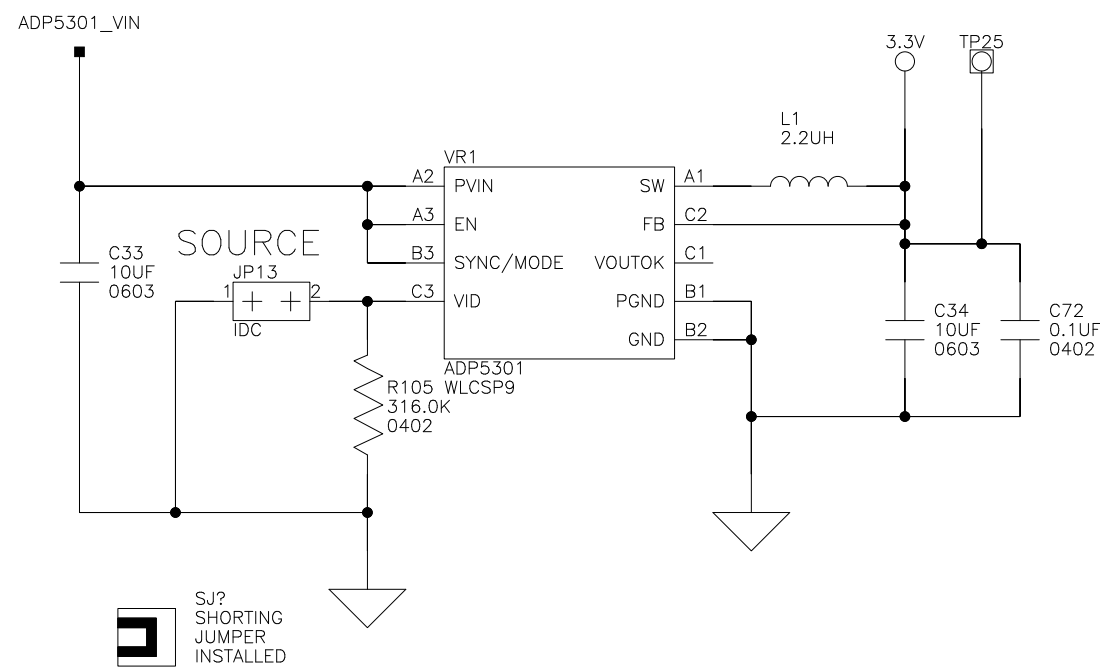


MAIN POWER

EMULATOR 5V	1 & 3	DEFAULT
USB 5V	3 & 4	
WALL 5V	3 & 5	

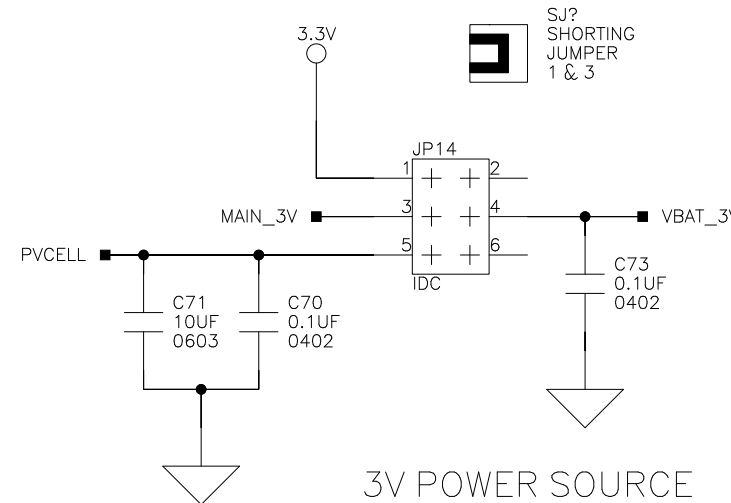


REMOVE TO MEASURE CURRENT DRAW OF PROCESSOR AND BOARD



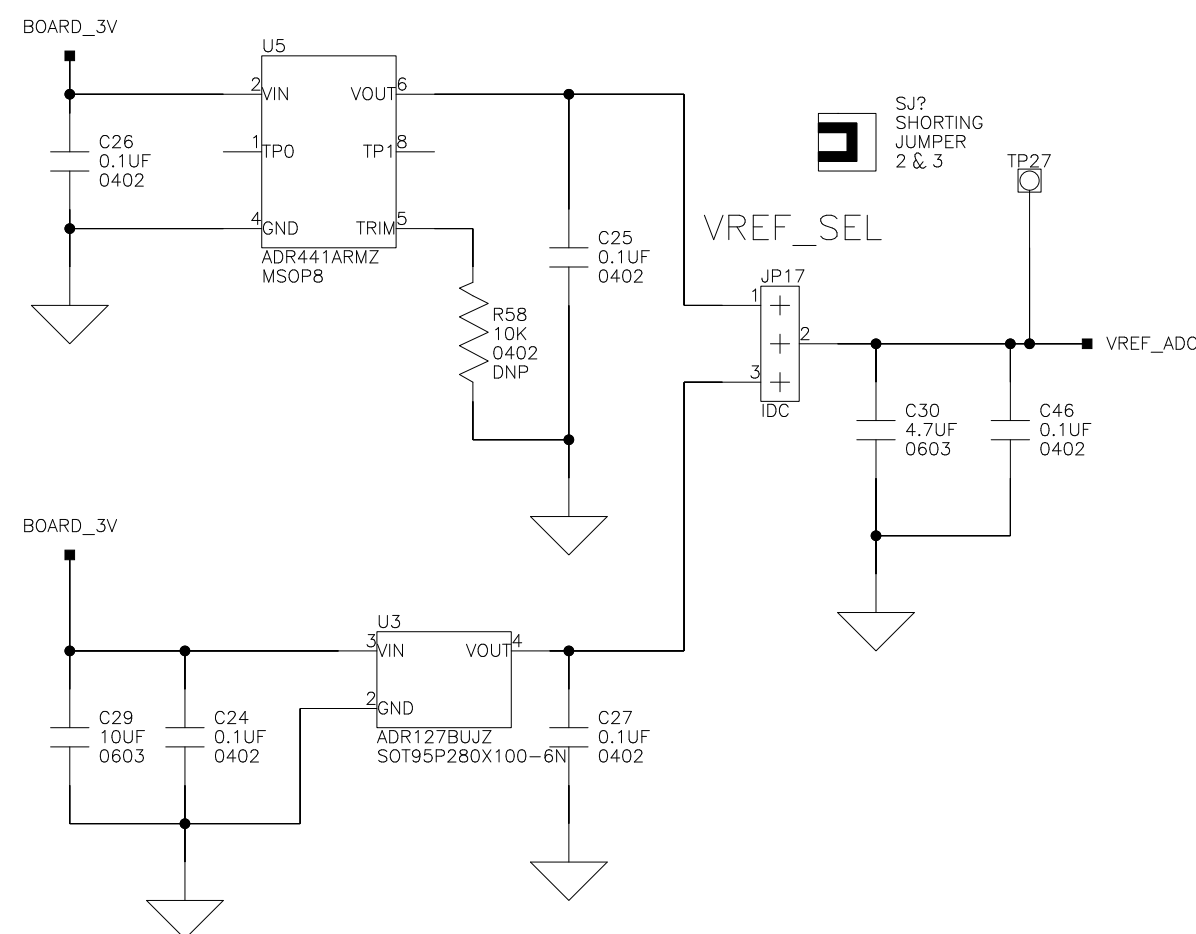
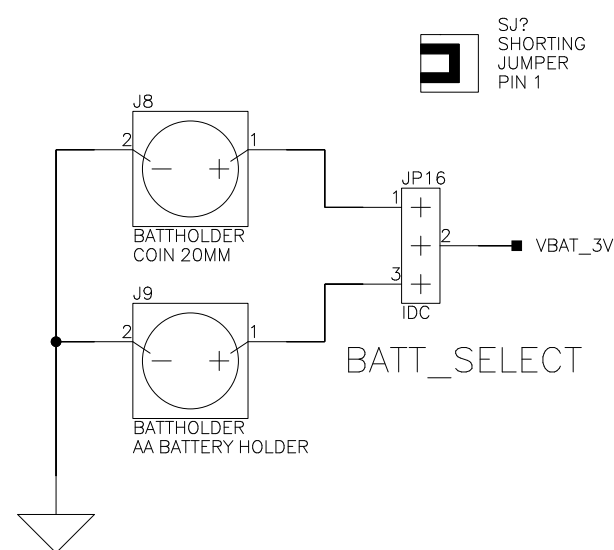
Power Source

3.0V	Installed	Default
3.3V	Not Installed	



3V POWER SOURCE

VR1 3V	1 & 3	Default
BATTERY 3V	3 & 4	
PVCELL 3V	3 & 5	



REMOVE JUMPER FROM JP17 FOR USING INTERNAL VREF SETTING IN CODE

		2 Elizabeth Drive Chelmsford, MA 01824 PH: 1-800-ANALOGD	
		Title ADuCM4x50 WLCSP EZ-KIT Power	
Size C	Board No.	A0919-2016	Rev 1.1
Date	02/28/17	Sheet	10 of 10