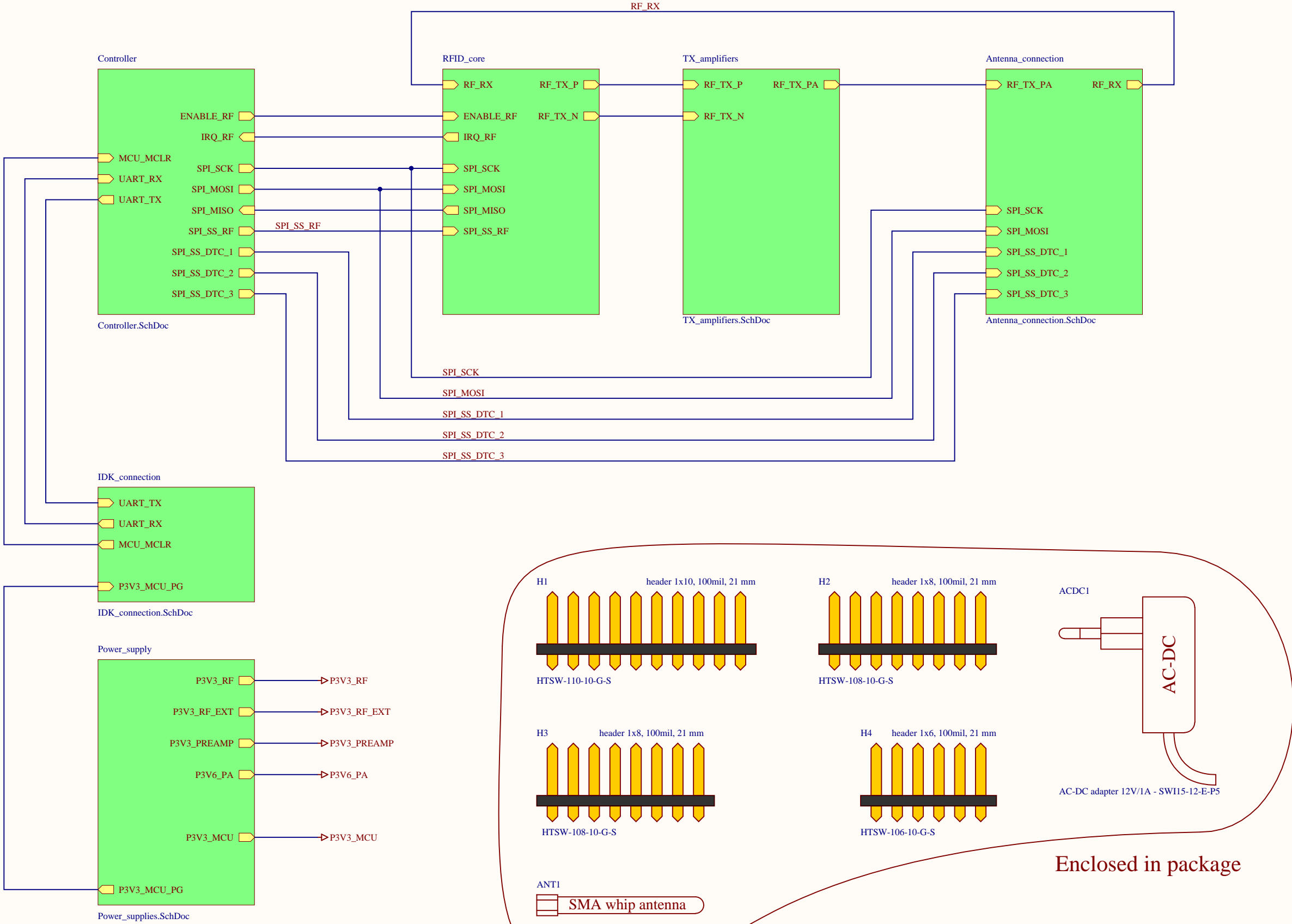


# IDK RFID shield rev 2.0

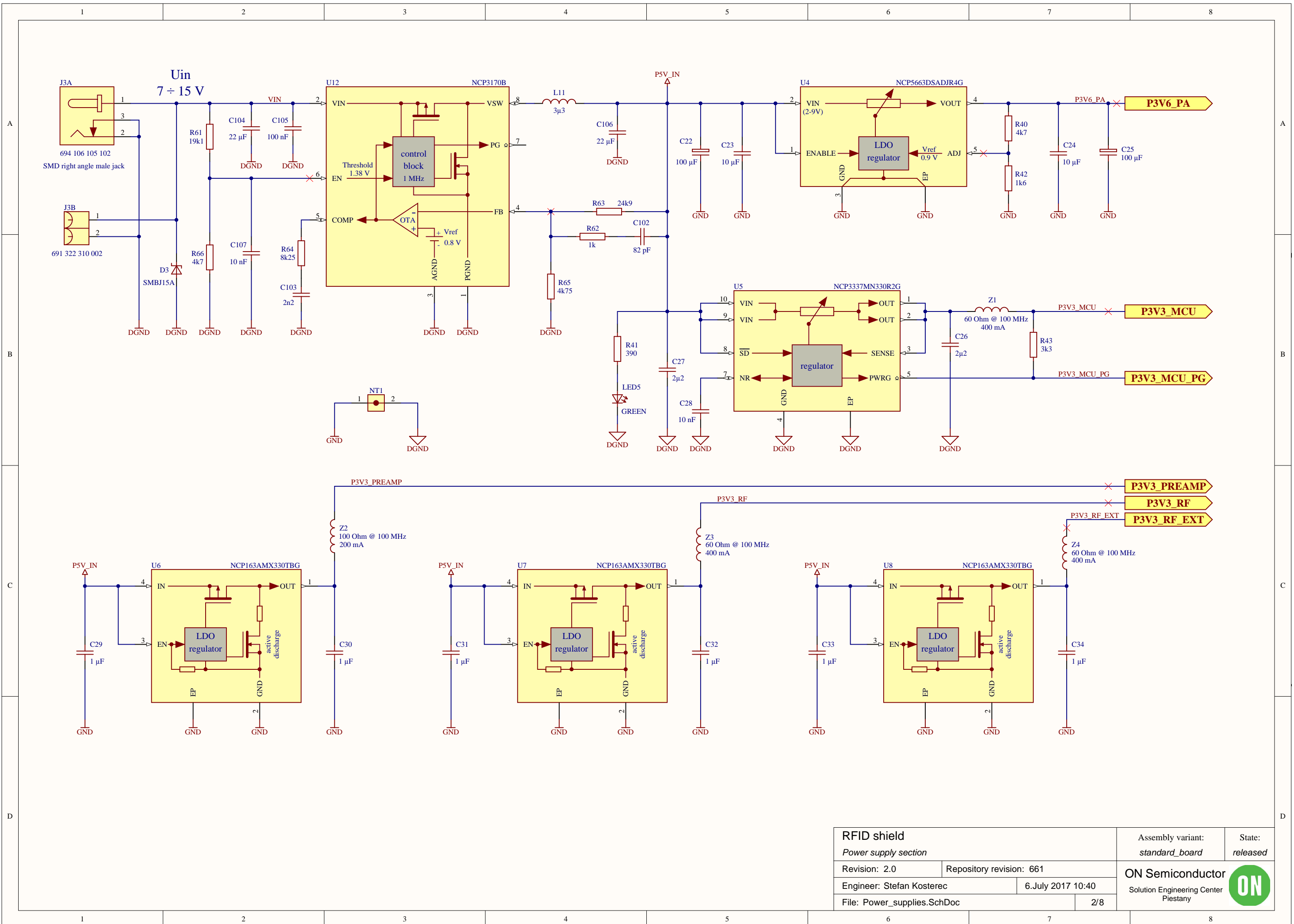


Enclosed in package

S1 ON ON symbol  
S2 ON ON symbol

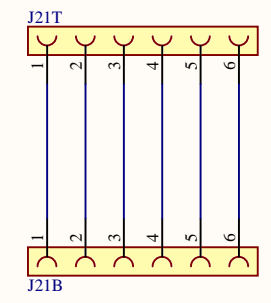
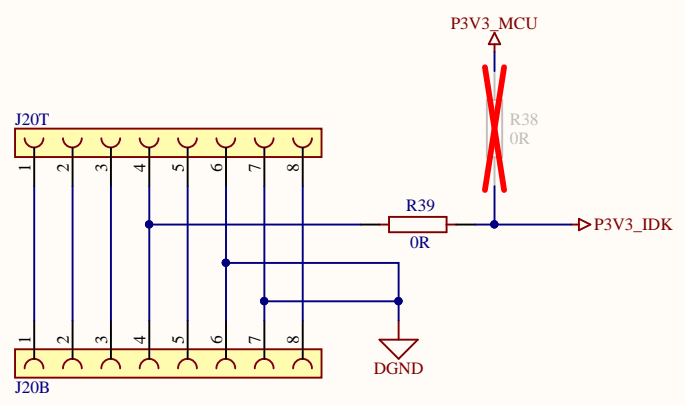
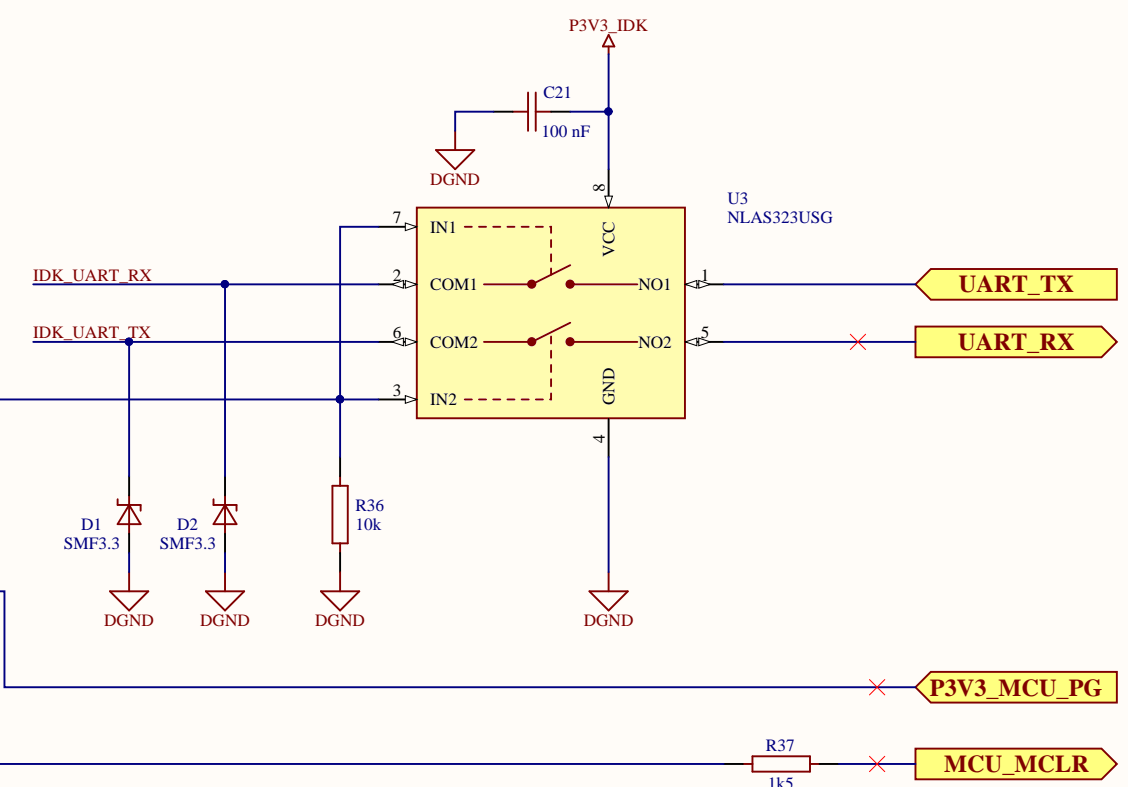
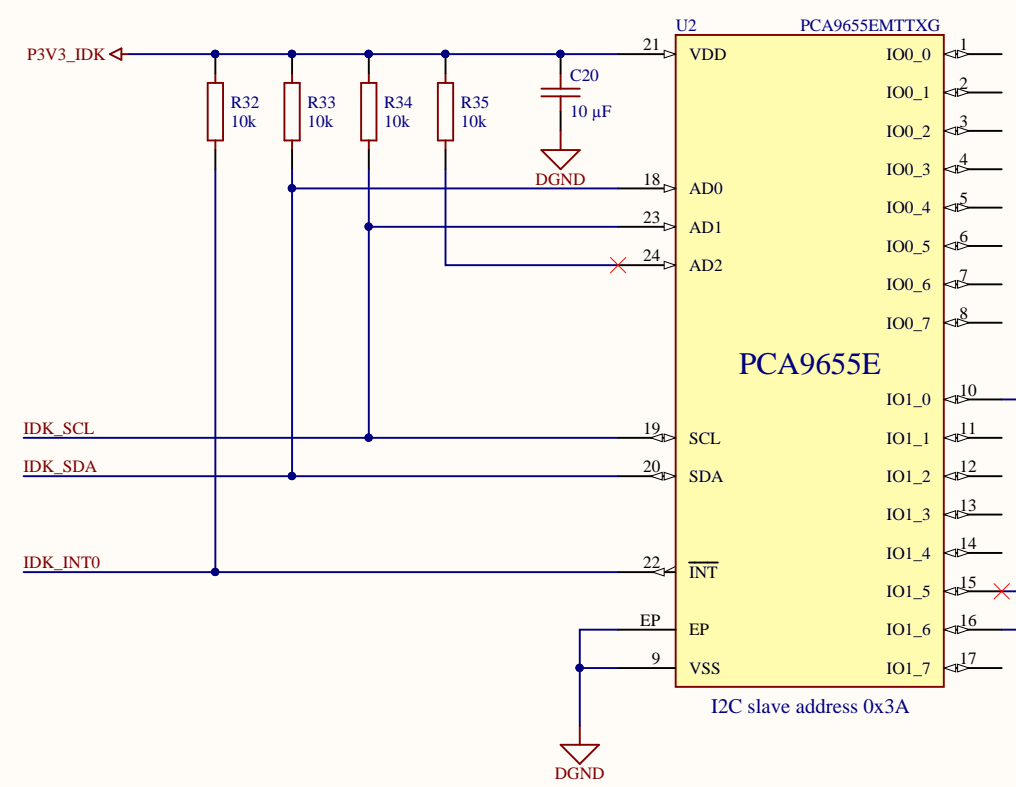
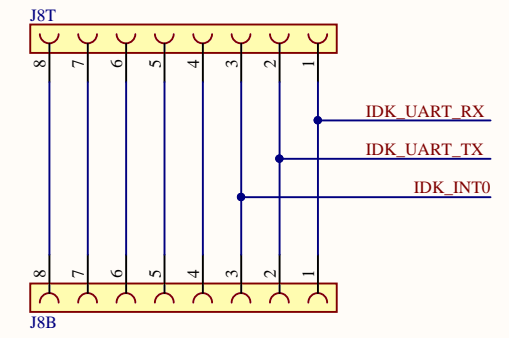
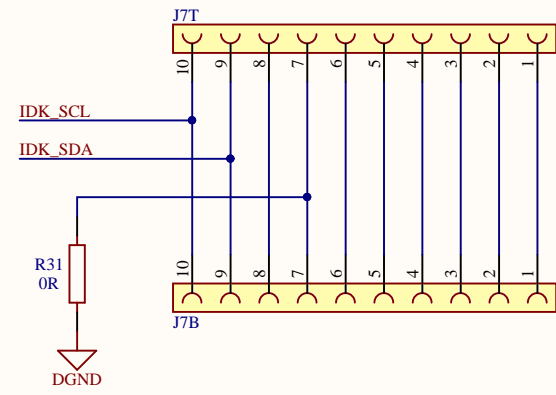
<b>RFID shield</b>		Assembly variant:	State:
<i>Block diagram</i>		<i>standard_board</i>	<i>released</i>
Revision: 2.0	Repository revision: 661	<b>ON Semiconductor</b> Solution Engineering Center Piešťany	
Engineer: Stefan Kosterec	27.June 2017 08:59		
File: RFID_shield.SchDoc	1/8		





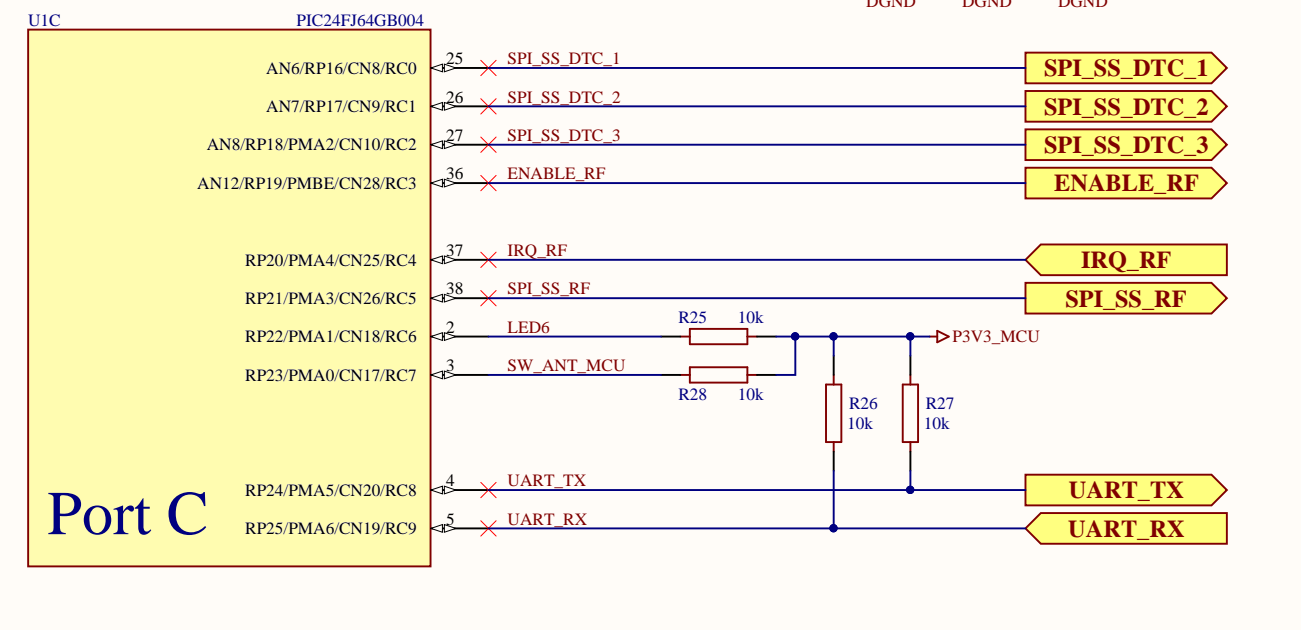
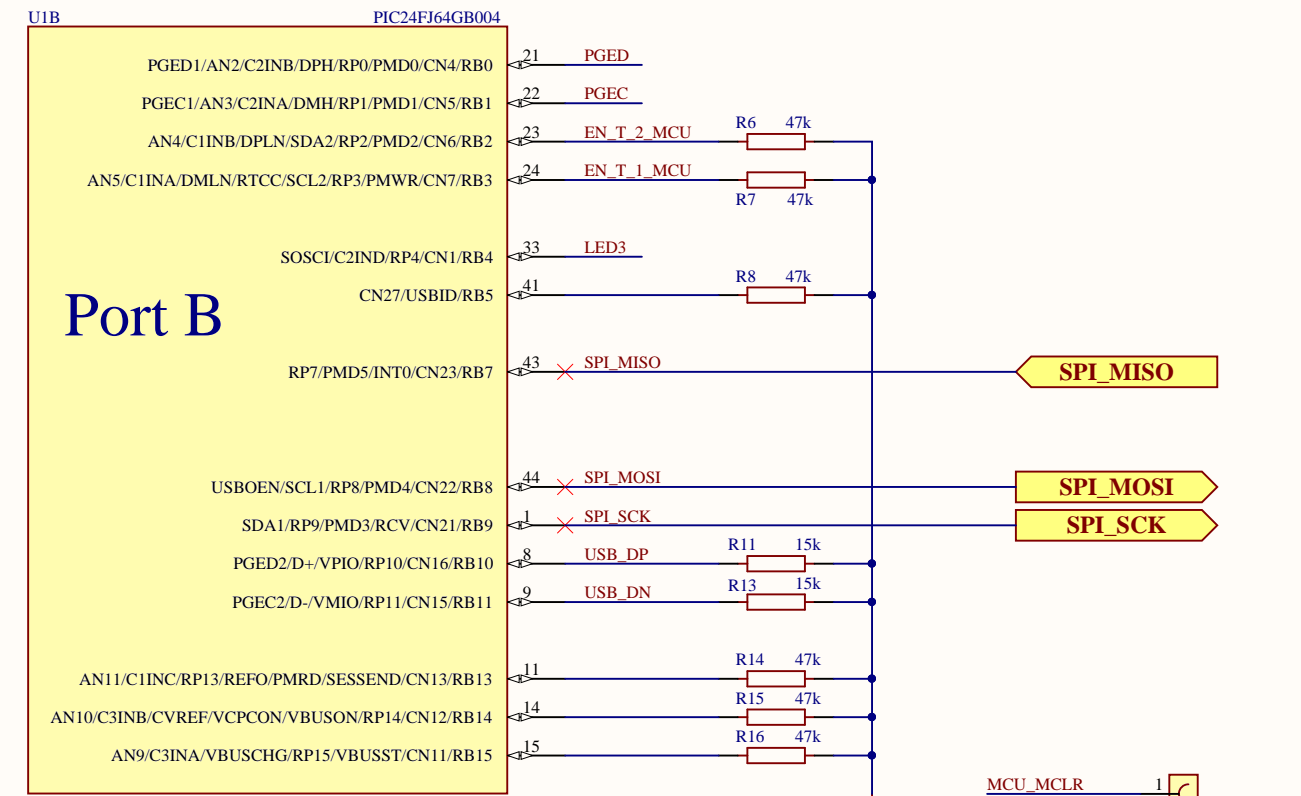
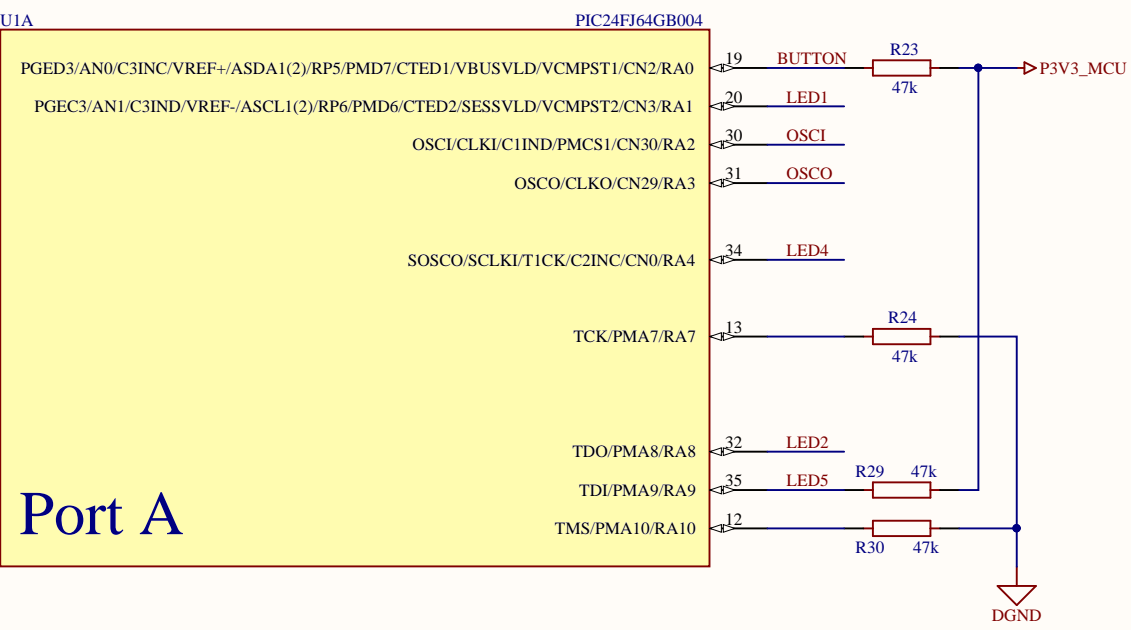
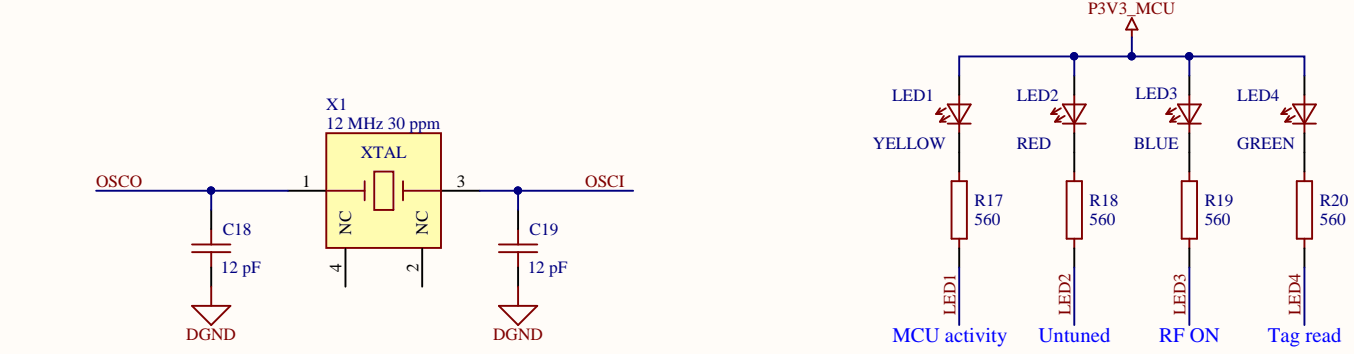
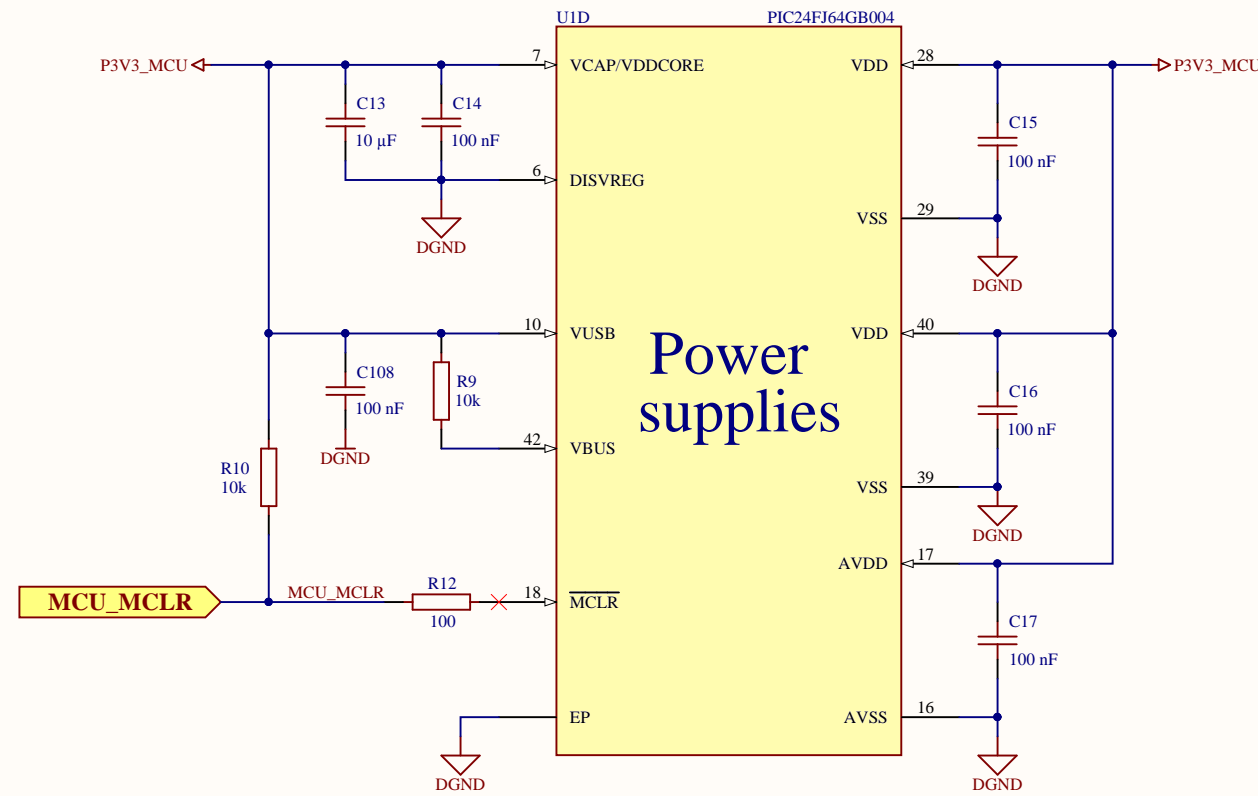
<b>RFID shield</b>		Assembly variant:	State:
Power supply section		standard_board	released
Revision: 2.0	Repository revision: 661		<b>ON Semiconductor</b> Solution Engineering Center Piešťany
Engineer: Stefan Kosterec	6.July 2017 10:40		
File: Power_supplies.SchDoc	2/8		





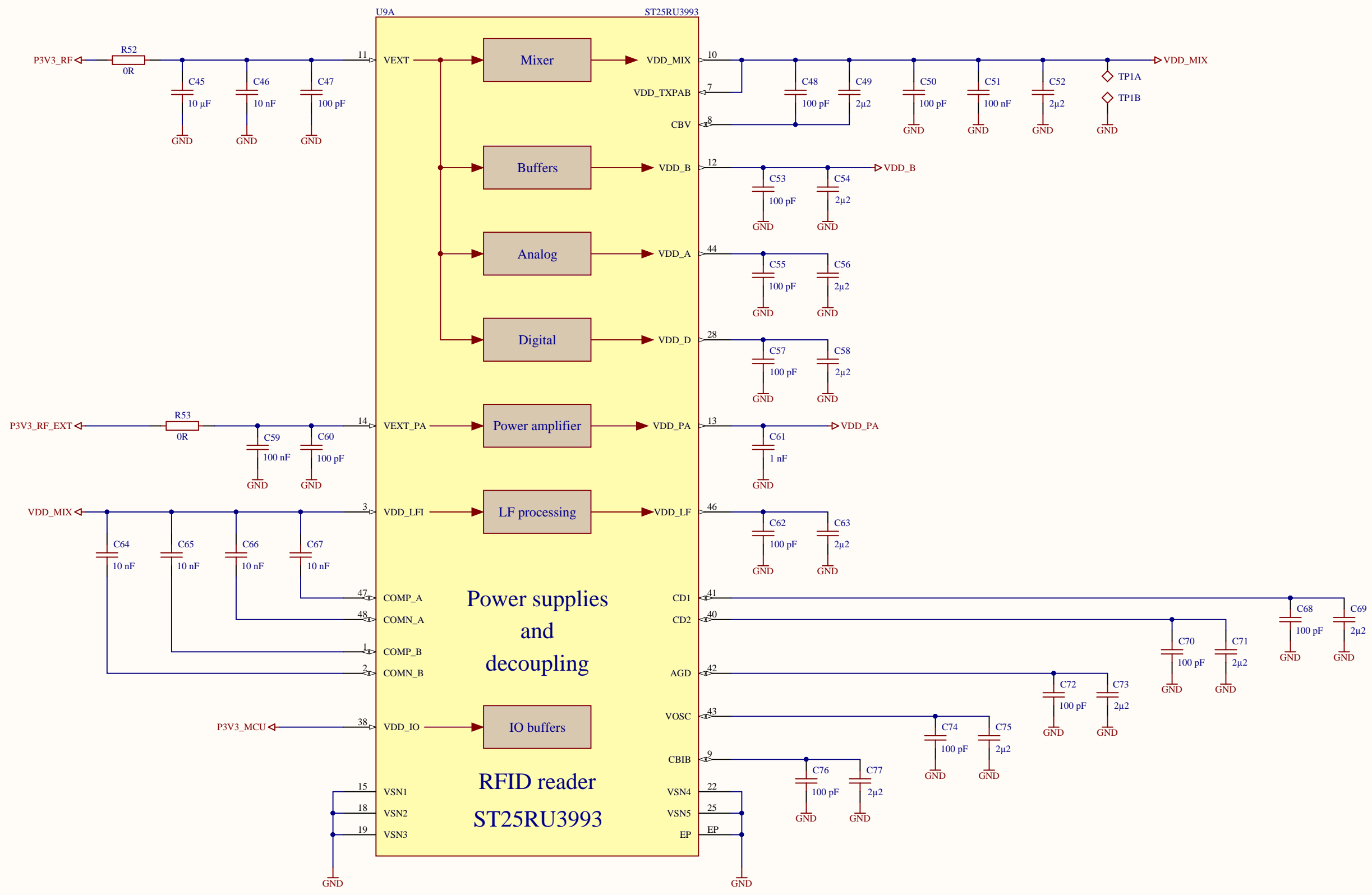
<b>RFID shield</b>		Assembly variant:	State:
Connection to IDK		standard_board	released
Revision: 2.0	Repository revision: 661		<b>ON Semiconductor</b> Solution Engineering Center Piešťany
Engineer: Stefan Kosterec	27.June 2017 08:59		
File: IDK_connection.SchDoc	3/8		





RFID shield		Assembly variant:	State:
Controller		standard_board	released
Revision: 2.0	Repository revision: 661		ON Semiconductor Solution Engineering Center Piestany
Engineer: Stefan Kosterec	27.June 2017 09:00		
File: Controller.SchDoc	4/8		



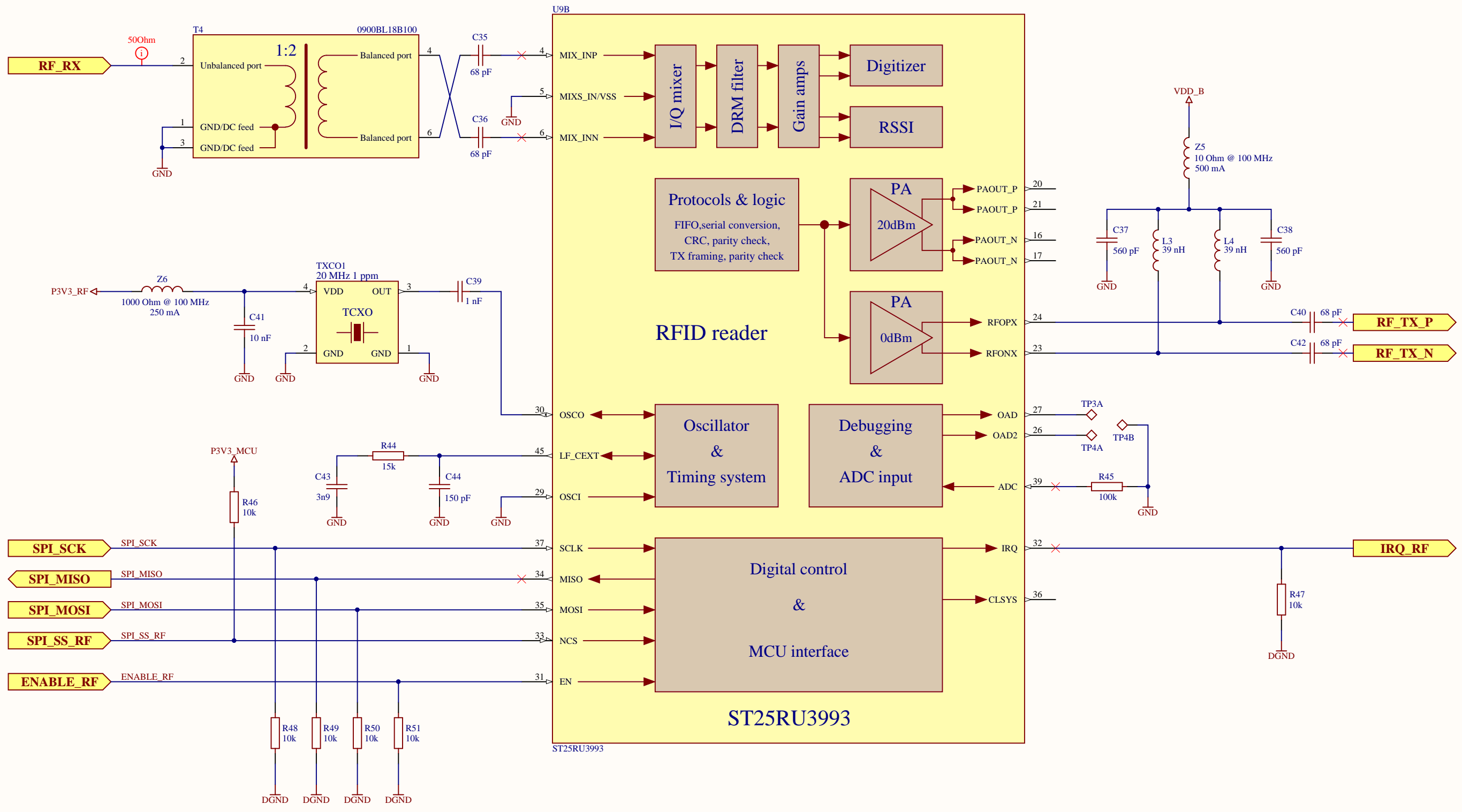


**Power supplies and decoupling**

**RFID reader  
ST25RU3993**

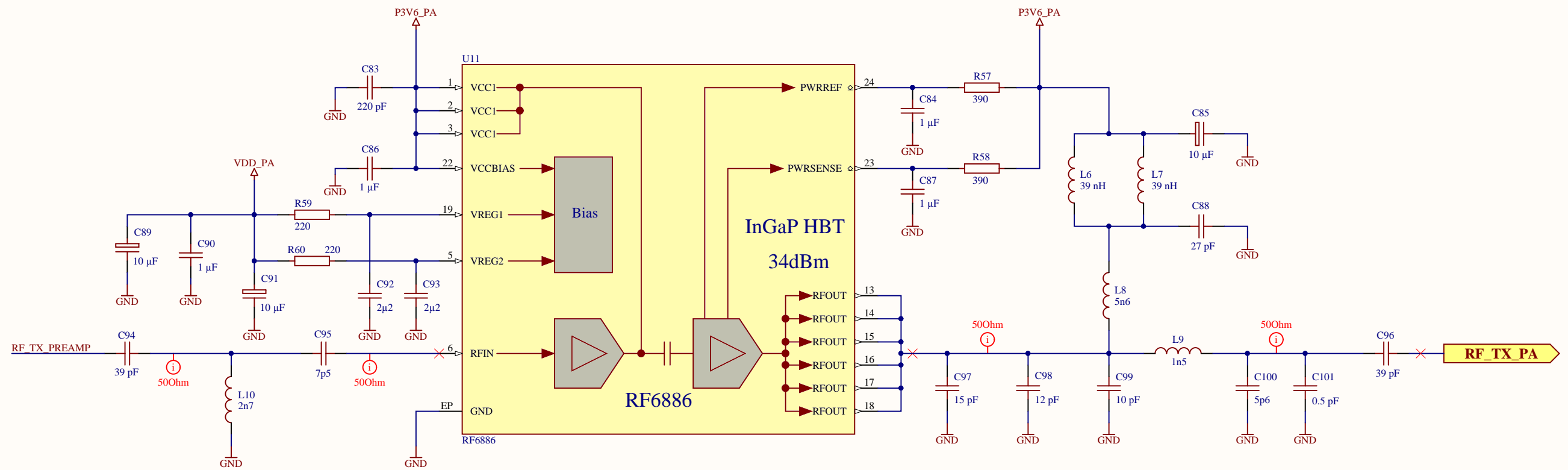
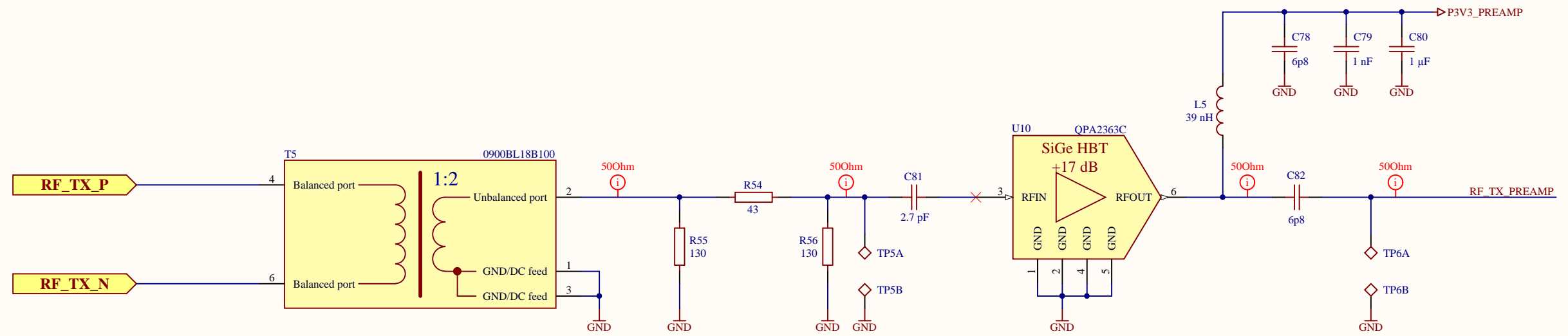
<b>RFID shield</b>		Assembly variant:	State:
RFID core power supply		standard_board	released
Revision: 2.0	Repository revision: 661		<b>ON Semiconductor</b> Solution Engineering Center Piestany
Engineer: Stefan Kosterec	27.June 2017 09:00		
File: RFID_core_power_supply.SchDoc	5/8		





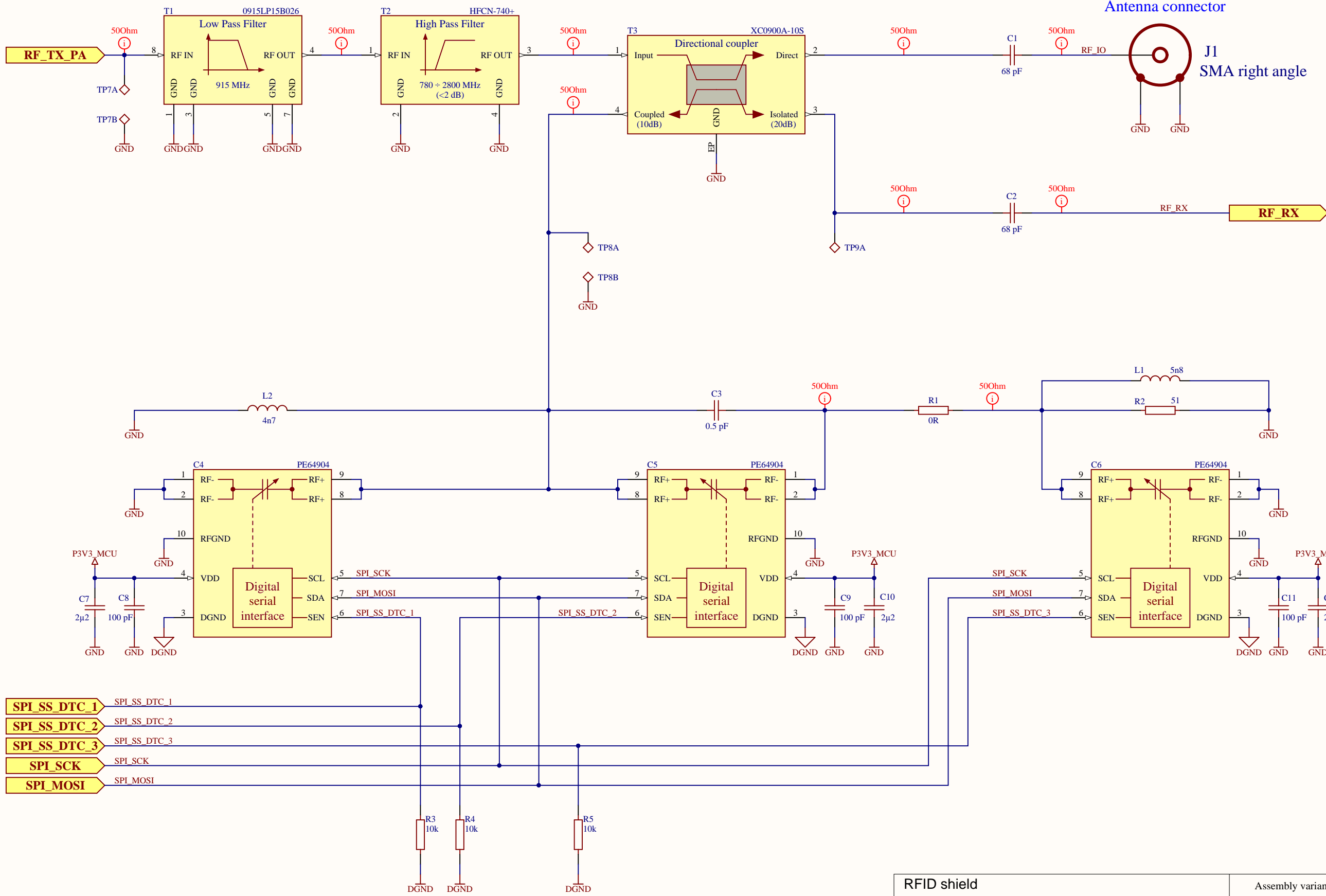
<b>RFID shield</b>		Assembly variant:	State:
<i>RFID core signal paths</i>		<i>standard_board</i>	<i>released</i>
Revision: 2.0	Repository revision: 661		<b>ON Semiconductor</b> Solution Engineering Center Piešťany
Engineer: Stefan Kosterec	27.June 2017 09:00		
File: RFID_core_signal_path.SchDoc	6/8		





RFID shield		Assembly variant:	State:
TX path amplifiers		standard_board	released
Revision: 2.0	Repository revision: 661		<b>ON Semiconductor</b> Solution Engineering Center Piešťany
Engineer: Stefan Kosterec	27.June 2017 09:01		
File: TX_amplifiers.SchDoc	7/8		





- SPI\_SS\_DTC\_1** SPI\_SS\_DTC\_1
- SPI\_SS\_DTC\_2** SPI\_SS\_DTC\_2
- SPI\_SS\_DTC\_3** SPI\_SS\_DTC\_3
- SPI\_SCK** SPI\_SCK
- SPI\_MOSI** SPI\_MOSI

<b>RFID shield</b>		Assembly variant:	State:
Antenna connection, tuning circuit		standard_board	released
Revision: 2.0	Repository revision: 661		<b>ON Semiconductor</b> Solution Engineering Center Piešťany
Engineer: Stefan Kosterec	27.June 2017 09:02		
File: Antenna_connection.SchDoc	8/8		

