

## LMH1208 12G UHD-SDI Dual Output Cable Driver

### 1 Features

- Supports ST-2082-1 (12G), ST-2081-1 (6G), ST-424 (3G), ST-292 (HD), and ST-259 (SD)
- Compatible with DVB-ASI and AES10 (MADI)
- Dual differential output cable drivers
- On-chip 75- $\Omega$  termination and return loss compensation network
- Host-side equalized 100- $\Omega$  loop-back output
- Programmable slew rate control on 75- $\Omega$  outputs
- Programmable pre-emphasis and output amplitude on 75- $\Omega$  outputs
- Programmable de-emphasis and output amplitude on 100- $\Omega$  output
- Polarity inversion on 75- $\Omega$  and 100- $\Omega$  outputs
- Automatic power save in absence of input signal
  - Power consumption: 25 mW (Typical)
- Power-down control through ENABLE pin
- Single 2.5-V supply
  - Power consumption: 200 mW (typical)
- Programmable through pins, SPI, or SMBus interface
- –40°C to +85°C operating temperature range
- 5-mm x 5-mm, 32-pin WQFN package

### 2 Applications

- [SMPTE compatible serial digital interface](#)
- [UHDTV/4K/8K/HDTV/SDTV video](#)
- [IP media gateway](#)
- [Digital video processing and editing](#)

### 3 Description

LMH1208 device is a 12G UHD-SDI low power dual output cable driver. It supports SMPTE video rates up to 11.88 Gbps, enabling UHD video for 4K/8K applications. The additional equalized 100- $\Omega$  driver output on the host-side can be used for monitoring or signal distribution purposes.

The programmable PCB input equalizer provides high frequency boost to reduce inter symbol interference (ISI) induced by PCB board trace. The integrated 75- $\Omega$  termination and return loss network at both cable driver outputs facilitate overall system design in meeting stringent SMPTE return loss requirements.

Input Signal Detect determines the presence of a valid signal at the input of the cable driver. This sensing feature may be used to alert the user of a system fault and activate a Power Save Mode, reducing the power consumption of the cable driver. The LMH1208 provides selectable slew rates for data rates up to 11.88 Gbps. The output slew rate and amplitude can be controlled by pin, SPI, or SMBus control.

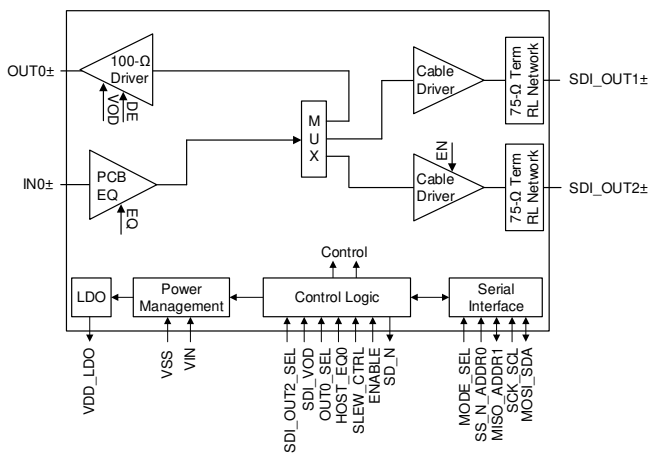
The LMH1208 is powered from a single 2.5-V supply. It is offered in a small footprint 5 mm x 5 mm 32-pin WQFN package. The LMH1208 is pin compatible with the LMH1228 (12G Dual Cable Driver with Integrated Reclocker).

#### Device Information<sup>(1)</sup>

PART NUMBER	PACKAGE	BODY SIZE (NOM)
LMH1208	WQFN (32)	5.00 mm x 5.00 mm

(1) For all available packages, see the orderable addendum at the end of the data sheet.

#### Simplified Block Diagram



Copyright © 2016, Texas Instruments Incorporated



## Table of Contents

<b>1 Features</b> .....	<b>1</b>	7.4 Device Functional Modes .....	<b>19</b>
<b>2 Applications</b> .....	<b>1</b>	7.5 Register Maps .....	<b>23</b>
<b>3 Description</b> .....	<b>1</b>	<b>8 Application and Implementation</b> .....	<b>24</b>
<b>4 Revision History</b> .....	<b>2</b>	8.1 Application Information .....	<b>24</b>
<b>5 Pin Configuration and Functions</b> .....	<b>3</b>	8.2 Typical Applications .....	<b>25</b>
<b>6 Specifications</b> .....	<b>6</b>	<b>9 Power Supply Recommendations</b> .....	<b>32</b>
6.1 Absolute Maximum Ratings .....	<b>6</b>	<b>10 Layout</b> .....	<b>33</b>
6.2 ESD Ratings .....	<b>6</b>	10.1 Layout Guidelines .....	<b>33</b>
6.3 Recommended Operating Conditions .....	<b>6</b>	10.2 Layout Example .....	<b>35</b>
6.4 Thermal Information .....	<b>7</b>	<b>11 Device and Documentation Support</b> .....	<b>36</b>
6.5 Electrical Characteristics .....	<b>7</b>	11.1 Documentation Support .....	<b>36</b>
6.6 Recommended SMBus Interface Timing Specifications .....	<b>10</b>	11.2 Receiving Notification of Documentation Updates .....	<b>36</b>
6.7 Serial Parallel Interface (SPI) Timing Specifications .....	<b>11</b>	11.3 Community Resources .....	<b>36</b>
6.8 Typical Characteristics .....	<b>13</b>	11.4 Trademarks .....	<b>36</b>
<b>7 Detailed Description</b> .....	<b>14</b>	11.5 Electrostatic Discharge Caution .....	<b>36</b>
7.1 Overview .....	<b>14</b>	11.6 Export Control Notice .....	<b>36</b>
7.2 Functional Block Diagram .....	<b>14</b>	11.7 Glossary .....	<b>36</b>
7.3 Feature Description .....	<b>15</b>	<b>12 Mechanical, Packaging, and Orderable Information</b> .....	<b>36</b>
		12.1 Package Option Addendum .....	<b>37</b>

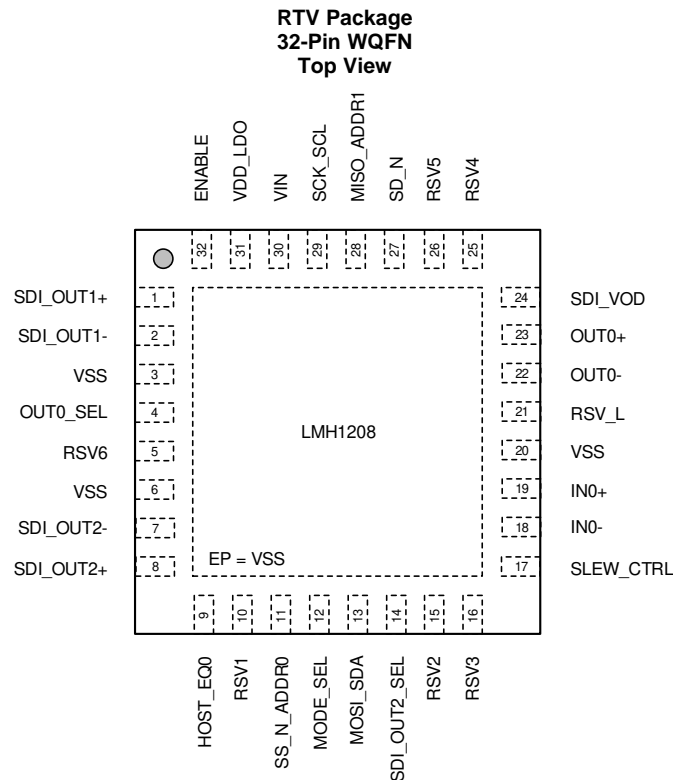
## 4 Revision History

<b>Changes from Revision B (October 2019) to Revision C</b>	<b>Page</b>
• Changed HBM Ratings and added pin 27 description .....	<b>6</b>

<b>Changes from Revision A (September 2017) to Revision B</b>	<b>Page</b>
• Initial Public Release .....	<b>1</b>

## 5 Pin Configuration and Functions



Copyright © 2016, Texas Instruments Incorporated

### Pin Functions

PIN		I/O <sup>(1)</sup>	DESCRIPTION
NAME	NO.		
<b>HIGH-SPEED DIFFERENTIAL I/Os</b>			
SDI_OUT1+	1	I/O, Analog	Single-ended complementary outputs with on-chip 75-Ω termination at SDI_OUT1+ and SDI_OUT1-. SDI_OUT1± include integrated return loss networks designed to meet the SMPTE output return loss requirements. Connect SDI_OUT1+ to a BNC through a 4.7-μF, AC-coupling capacitor. SDI_OUT1- should be similarly AC-coupled and terminated with an external 4.7-μF capacitor and 75-Ω resistor to GND.
SDI_OUT1-	2	I/O, Analog	
SDI_OUT2+	8	O, Analog	Single-ended complementary outputs with on-chip 75-Ω termination at SDI_OUT2+ and SDI_OUT2-. SDI_OUT2± include integrated return loss networks designed to meet the SMPTE output return loss requirements. SDI_OUT2± is used as a second cable driver. Connect SDI_OUT2+ to a BNC through a 4.7-μF, AC-coupling capacitor. SDI_OUT2- should be similarly AC-coupled and terminated with an external 4.7-μF capacitor and 75-Ω resistor to GND.
SDI_OUT2-	7	O, Analog	
IN0+	19	I, Analog	Differential inputs from host video processor. On-chip 100-Ω differential termination. Requires external 4.7-μF, AC-coupling capacitors for SMPTE applications.
IN0-	18	I, Analog	
OUT0+	23	O, Analog	Differential outputs to host video processor. On-chip 100-Ω differential termination. Requires external 4.7-μF, AC-coupling capacitors for SMPTE applications.
OUT0-	22	O, Analog	
<b>CONTROL PINS</b>			
OUT0_SEL	4	I, LVCMOS	OUT0_SEL enables the use of the 100-Ω host-side output driver at OUT0±. See <a href="#">Table 2</a> for details. OUT0_SEL is internally pulled high by default (OUT0 disabled).
HOST_EQ0	9	I, 4-LEVEL	HOST_EQ0 selects the equalizer setting for IN0±. See <a href="#">Table 4</a> for details.

(1) I = Input, O = Output, I/O = Input or Output, OD = Open Drain, LVCMOS = 2-State Logic, 4-LEVEL = 4-State Logic

**Pin Functions (continued)**

PIN		I/O <sup>(1)</sup>	DESCRIPTION
NAME	NO.		
MODE_SEL	12	I, 4-LEVEL	MODE_SEL enables the SPI or SMBus serial control interface. See <a href="#">Table 8</a> for details.
SDI_OUT2_SEL	14	I, LVCMOS	SDI_OUT2_SEL enables the use of the 75-Ω output driver at SDI_OUT2±. See <a href="#">Table 2</a> for details. SDI_OUT2_SEL is internally pulled high by default (SDI_OUT2 disabled).
SLEW_CTRL	17	I, 4-LEVEL	SLEW_CTRL selects the edge rate for both cable driver outputs. SLEW_CTRL settings are dependent on the operating SMPTE data rate. SLEW_CTRL also determines the pre-emphasis level applied to both cable driver outputs. See <a href="#">Table 6</a> and <a href="#">Table 7</a> for details.
SDI_VOD	24	I, 4-LEVEL	SDI_VOD selects one of four output amplitudes for the cable drivers at SDI_OUT1± and SDI_OUT2±. See <a href="#">Table 5</a> for details.
SD_N	27	O, LVCMOS, OD	SD_N is the Signal Detect indicator. SD_N is pulled low when signal is detected at IN0±. SD_N is a 3.3-V tolerant, open-drain output. It requires an external resistor to a logic supply. SD_N can be reconfigured to indicate Interrupt (INT_N) through register programming. See <a href="#">Status Indicators and Interrupts</a> .
ENABLE	32	I, LVCMOS	A logic-high at ENABLE enables normal operation for the LMH1208. A logic-low at ENABLE places the LMH1208 in Power-Down Mode. ENABLE is internally pulled high by default.
<b>SPI SERIAL CONTROL INTERFACE, MODE_SEL = F (FLOAT)</b>			
SS_N	11	I, LVCMOS	SS_N is the Slave Select. When SS_N is at logic low, it enables SPI access to the LMH1208 slave device. SS_N is a 2.5-V LVCMOS input and is internally pulled high by default.
MOSI	13	I, LVCMOS	MOSI is the SPI serial control data input to the LMH1208 slave device when the SPI bus is enabled. MOSI is a 2.5-V LVCMOS input. An external pullup resistor is recommended.
MISO	28	O, LVCMOS	MISO is the SPI serial control data output from the LMH1208 slave device. MISO is a 2.5-V LVCMOS output.
SCK	29	I, LVCMOS	SCK is the SPI serial input clock to the LMH1208 slave device when the SPI interface is enabled. SCK is a 2.5-V LVCMOS input. An external pullup resistor is recommended.
<b>SMBUS SERIAL CONTROL INTERFACE, MODE_SEL = L (1 KΩ TO VSS)</b>			
ADDR0	11	Strap, 4-LEVEL	ADDR[1:0] are 4-level straps, read into the device at power up. They are used to select one of the 16 supported SMBus addresses when SMBus is enabled. See <a href="#">Table 9</a> for details.
SDA	13	I/O, LVCMOS, OD	SDA is the SMBus bidirectional data line to or from the LMH1208 slave device when SMBus is enabled. SDA is an open-drain I/O and requires an external pullup resistor to the SMBus termination voltage. SDA is 3.3-V tolerant.
ADDR1	28	Strap, 4-LEVEL	ADDR[1:0] are 4-level straps, read into the device at power up. They are used to select one of the 16 supported SMBus addresses when SMBus is enabled. See <a href="#">Table 9</a> for details.
SCL	29	I/O, LVCMOS, OD	SCL is the SMBus input clock to the LMH1208 slave device when SMBus is enabled. It is driven by a LVCMOS open-drain driver from the SMBus master. SCL requires an external pullup resistor to the SMBus termination voltage. SCL is 3.3-V tolerant.

**Pin Functions (continued)**

PIN		I/O <sup>(1)</sup>	DESCRIPTION
NAME	NO.		
<b>RESERVED</b>			
RSV1	10	—	Reserved pins. Do not connect.
RSV2	15		
RSV3	16		
RSV4	25		
RSV5	26		
RSV6	5		
<b>POWER</b>			
VSS	3, 6, 20	I, Ground	Ground reference.
RSV_L	21	I, Power	Connect RSV_L to the same 2.5-V ± 5% supply as VIN.
VIN	30	I, Power	VIN is connected to an external 2.5-V ± 5% power supply.
VDD_LDO	31	O, Power	VDD_LDO is the output of the internal 1.8-V LDO regulator. VDD_LDO output requires an external 1-μF and 0.1-μF bypass capacitor to VSS. The internal LDO is designed to power internal circuitry only.
EP	—	I, Ground	EP is the exposed pad at the bottom of the RTV package. The exposed pad should be connected to the VSS plane through a 3 × 3 via array.

## 6 Specifications

### 6.1 Absolute Maximum Ratings

over operating free-air temperature range (unless otherwise noted)<sup>(1)</sup>

	MIN	MAX	UNIT
Supply voltage (VIN, RSV_L)	−0.5	2.75	V
Input voltage for 4-level pins	−0.5	2.75	V
Input/output voltage for 2-level control pins	−0.5	2.75	V
SMBus input/output voltage (SDA, SCL)	−0.5	4	V
SPI input/output voltage (SS_N, MISO, MOSI, and SCK)	−0.5	2.75	V
High-speed input/output voltage (IN0±, SDI_OUT1±, OUT0±, SDI_OUT2±)	−0.5	2.75	V
Input current (IN0±)	−30	30	mA
Operating junction temperature		125	°C
Storage temperature, T <sub>stg</sub>	−65	150	°C

- (1) Stresses beyond those listed under *Absolute Maximum Ratings* may cause permanent damage to the device. These are stress ratings only, which do not imply functional operation of the device at these or any other conditions beyond those indicated under *Recommended Operating Conditions*. Exposure to absolute-maximum-rated conditions for extended periods may affect device reliability.

### 6.2 ESD Ratings

			VALUE	UNIT
V <sub>(ESD)</sub> Electrostatic discharge	Human-body model (HBM), per ANSI/ESDA/JEDEC JS-001 <sup>(1)</sup>	All pins except 13,27, and 29	±6000	V
		Pins 13, 27, and 29	±5000	
	Charged-device model (CDM), per JEDEC specification JESD22-C101 <sup>(2)</sup>		±1500	

- (1) JEDEC document JEP155 states that 500-V HBM allows safe manufacturing with a standard ESD control process. Manufacturing with less than 500-V HBM is possible with the necessary precautions.
- (2) JEDEC document JEP157 states that 250-V CDM allows safe manufacturing with a standard ESD control process. Manufacturing with less than 250-V CDM is possible with the necessary precautions.

### 6.3 Recommended Operating Conditions

over operating free-air temperature range (unless otherwise noted)

		MIN	NOM	MAX	UNIT		
	Supply voltage	VIN, RSV_L to VSS		2.375	2.5	2.625	V
VDD <sub>SMBUS</sub>	SMBus: SDA, SCL open-drain termination voltage			2.375		3.6	V
V <sub>INO_LAUNCH</sub>	Source differential launch amplitude	Before 5-inch board trace to IN0±		300		850	mVp-p
		Before 20-inch board trace to IN0±		650		1000	
T <sub>JUNCTION</sub>	Operating junction temperature					110	°C
T <sub>AMBIENT</sub>	Ambient temperature			−40	25	85	°C
NT <sub>ps_max</sub>	Maximum supply noise <sup>(1)</sup>	50 Hz to 1 MHz, sinusoidal				< 20	mVp-p
		1.1 MHz to 50 MHz, sinusoidal				< 10	

- (1) The sum of the DC supply voltage and AC supply noise should not exceed the recommended supply voltage range.

## 6.4 Thermal Information

THERMAL METRIC <sup>(1)</sup>		LMH1208	UNIT
		RTV (WQFN)	
		32 PINS	
R <sub>θJA</sub>	Junction-to-ambient thermal resistance	32.5	°C/W
R <sub>θJC(top)</sub>	Junction-to-case (top) thermal resistance	15.0	°C/W
R <sub>θJB</sub>	Junction-to-board thermal resistance	6.5	°C/W
ψ <sub>JT</sub>	Junction-to-top characterization parameter	0.2	°C/W
ψ <sub>JB</sub>	Junction-to-board characterization parameter	6.5	°C/W
R <sub>θJC(bot)</sub>	Junction-to-case (bottom) thermal resistance	1.7	°C/W

(1) For more information about traditional and new thermal metrics, see the [Semiconductor and IC Package Thermal Metrics](#) application report.

## 6.5 Electrical Characteristics

over operating free-air temperature range (unless otherwise noted)

PARAMETER		TEST CONDITIONS	MIN	TYP	MAX	UNIT
<b>POWER</b>						
PD	Power dissipation Measured with PRBS10, Operating at 11.88 Gbps, VOD = default	SDI_OUT1± enabled SDI_OUT2± disabled OUT0± disabled		200		mW
		SDI_OUT1± enabled SDI_OUT2± disabled OUT0± enabled		250		mW
		SDI_OUT1± enabled SDI_OUT2± enabled OUT0± disabled		340		mW
		SDI_OUT1± enabled SDI_OUT2± enabled OUT0± enabled		385		mW
PD <sub>Z</sub>	Power dissipation, Power Save Mode	Power Save Mode, ENABLE = H, no signal applied at IN0±		25		mW
IDD	Current consumption, Measured with PRBS10, Operating at 11.88 Gbps, VOD = default	SDI_OUT1± enabled SDI_OUT2± disabled OUT0± disabled		80	104	mA
		SDI_OUT1± enabled SDI_OUT2± disabled OUT0± enabled		100	125	mA
		SDI_OUT1± enabled SDI_OUT2± enabled OUT0± disabled		136	170	mA
		SDI_OUT1± enabled SDI_OUT2± enabled OUT0± enabled		154	190	mA
IDD <sub>Z</sub>	Current consumption, Power Save Mode	Power Save Mode, ENABLE = H, no signal applied at IN0±		10		mA
IDD <sub>Z_PD</sub>	Current consumption, Power-Down Mode	Power-Down Mode, ENABLE = L, no signal applied at IN0±		10	30	mA
<b>LVC MOS DC SPECIFICATIONS</b>						
V <sub>IH</sub>	Logic high input voltage	2-level input (SS_N, SCK, MOSI, SDI_OUT2_SEL, OUT0_SEL, ENABLE)	0.72 × VIN		VIN + 0.3	V
		2-level input (SCL, SDA)	0.7 × VIN		3.6	V
V <sub>IL</sub>	Logic low input voltage	2-level input (SS_N, SCK, MOSI, SDI_OUT2_SEL, OUT0_SEL, ENABLE, SCL, SDA)	0		0.3 × VIN	V
V <sub>OH</sub>	Logic high output voltage	IOH = –2 mA, (MISO)	0.8 × VIN		VIN	V

**Electrical Characteristics (continued)**

over operating free-air temperature range (unless otherwise noted)

PARAMETER		TEST CONDITIONS	MIN	TYP	MAX	UNIT
V <sub>OL</sub>	Logic low output voltage	I <sub>OL</sub> = 2 mA, (MISO)	0		0.2 × V <sub>IN</sub>	V
		I <sub>OL</sub> = 3 mA, (SD_N, SDA)			0.4	V
I <sub>IH</sub>	Input high leakage current (V <sub>input</sub> = V <sub>IN</sub> )	LVC MOS (SDI_OUT2_SEL, ENABLE)			15	μA
		LVC MOS (OUT0_SEL)			65	μA
		LVC MOS (SD_N)			10	μA
		SPI mode: LVC MOS (SS_N, SCK, MOSI)			15	μA
		SMBus mode: LVC MOS (SCL, SDA)			10	μA
I <sub>IL</sub>	Input low leakage current (V <sub>input</sub> = GND)	LVC MOS (SDI_OUT2_SEL, ENABLE)	–50			μA
		LVC MOS (OUT0_SEL)	–15			μA
		LVC MOS (SD_N)	–10			μA
		SPI mode: LVC MOS (SCK, MOSI)	–15			μA
		SPI mode: LVC MOS (SS_N)	–50			μA
		SMBus mode: LVC MOS (SCL, SDA)	–10			μA
<b>4-LEVEL LOGIC DC SPECIFICATIONS (APPLY TO ALL 4-LEVEL INPUT CONTROL PINS)</b>						
V <sub>LVL_H</sub>	LEVEL-H input voltage	Measured voltage at 4-level pin with external 1 kΩ to V <sub>IN</sub>		V <sub>IN</sub>		V
V <sub>LVL_F</sub>	LEVEL-F default voltage	Measured voltage 4-level pin at default		2/3 × V <sub>IN</sub>		V
V <sub>LVL_R</sub>	LEVEL-R input voltage	Measured voltage at 4-level pin with external 20 kΩ to V <sub>SS</sub>		1/3 × V <sub>IN</sub>		V
V <sub>LVL_L</sub>	LEVEL-L input voltage	Measured voltage at 4-level pin with external 1 kΩ to V <sub>SS</sub>		0		V
I <sub>IH</sub>	Input high leakage current (V <sub>input</sub> = V <sub>IN</sub> )	4-levels (HOST_EQ0, MODE_SEL, SLEW_CTRL, SDI_VOD)	20	45	80	μA
		SMBus mode: 4-levels (ADDR0, ADDR1)	20	45	80	μA
I <sub>IL</sub>	Input low leakage current (V <sub>input</sub> = GND)	4-levels (HOST_EQ0, MODE_SEL, SLEW_CTRL, SDI_VOD)	–160	–93	–40	μA
		SMBus mode: 4-levels (ADDR0, ADDR1)	–160	–93	–40	μA
<b>RECEIVER SPECIFICATIONS (IN0±)</b>						
R <sub>IN0_TERM</sub>	DC input differential termination	Measured across IN0+ to IN0–	80	100	120	Ω
R <sub>L_IN0_SDD11</sub>	Input differential return loss <sup>(1)</sup>	SDD11, 10 MHz – 2.8 GHz		–22		dB
		SDD11, 2.8 GHz – 6 GHz		–16		dB
		SDD11, 6 GHz – 11.1 GHz		–10		dB
R <sub>L_IN0_SCD11</sub>	Differential to common-mode input conversion <sup>(1)</sup>	SCD11, 10 MHz to 11.1 GHz		–21		dB
V <sub>IN0_CM</sub>	DC common-mode voltage	Input common-mode voltage at IN0+ or IN0– to GND		2.06		V
CD <sub>ON_IN0</sub>	Signal detect (default) Assert ON threshold level for IN0±	11.88 Gbps, EQ and PLL pathological pattern		20		mVp-p
CD <sub>OFF_IN0</sub>	Signal detect (default) Deassert OFF threshold level for IN0±	11.88 Gbps, EQ and PLL pathological pattern		18		mVp-p
<b>DRIVER OUTPUT (SDI_OUT1+ AND SDI_OUT2+)</b>						
R <sub>OUT_TERM</sub>	DC output single-ended termination	SDI_OUT1+ and SDI_OUT1–, SDI_OUT2+ and SDI_OUT2– to V <sub>IN</sub>	63	75	87	Ω

(1) This parameter is measured with the LMH1297EVM (Evaluation board for LMH1208).



## Electrical Characteristics (continued)

over operating free-air temperature range (unless otherwise noted)

PARAMETER		TEST CONDITIONS	MIN	TYP	MAX	UNIT
VOD <sub>CD_OUTP</sub>	Output single-ended output voltage	Measure AC signal at SDI_OUT1+ and SDI_OUT2+, with SDI_OUT1– and SDI_OUT2– AC terminated with 75 Ω SDI_VOD = H		840		mVp-p
		SDI_VOD = F	720	800	880	mVp-p
		SDI_VOD = R		880		mVp-p
		SDI_VOD = L		760		mVp-p
VOD <sub>CD_OUTN</sub>	Output single-ended output voltage	Measure AC signal at SDI_OUT1– and SDI_OUT2–, with SDI_OUT1+ and SDI_OUT2+ AC terminated with 75 Ω SDI_VOD = H		840		mVp-p
		SDI_VOD = F	720	800	880	mVp-p
		SDI_VOD = R		880		mVp-p
		SDI_VOD = L		760		mVp-p
PRE <sub>CD_OUTP</sub>	Output pre-emphasis	Output pre-emphasis boost amplitude at SDI_OUT1+ and SDI_OUT2+, programmed to maximum setting through register, measured at SDI_VOD = F		2		dB
PRE <sub>CD_OUTN</sub>	Output pre-emphasis	Output pre-emphasis boost amplitude at SDI_OUT1– and SDI_OUT2–, programmed to maximum setting through register, measured at SDI_VOD = F		2		dB
t <sub>R_F_SDI</sub>	Output rise and fall time <sup>(1)</sup>	Measured with PRBS10 pattern, default VOD at 20% – 80% amplitude, default pre-emphasis enabled 11.88 Gbps		34	42	ps
		5.94 Gbps		36	43	ps
		2.97 Gbps		59	67	ps
		1.485 Gbps		60	73	ps
		270 Mbps	400	550	700	ps
t <sub>R_F_DELTA</sub>	Output rise and fall time mismatch <sup>(1)</sup>	Measured with PRBS10 pattern, default VOD at 20% – 80% amplitude, default pre-emphasis enabled 11.88 Gbps		3	18	ps
		5.94 Gbps		2.7	12	ps
		2.97 Gbps		0.8	11	ps
		1.485 Gbps		0.8	12	ps
		270 Mbps		72	150	ps
V <sub>OVERSHOOT</sub>	Output overshoot or undershoot	Measured with PRBS10 pattern, default VOD, default pre-emphasis enabled <sup>(2)</sup> 12G/6G/3G/HD/SD		5%		
V <sub>DC_OFFSET</sub>	DC offset	12G/6G/3G/HD/SD		±0.2		V
V <sub>DC_WANDER</sub>	DC wander	12G/6G/3G/HD/SD with EQ pathological pattern		20		mV
RL <sub>CD_S22</sub>	Output return loss at SDI_OUT1+ and SDI_OUT2+ reference to 75 Ω <sup>(1)</sup>	S22, 5 MHz to 1.485 GHz		–25		dB
		S22, 1.485 GHz to 3 GHz		–22		dB
		S22, 3 GHz to 6 GHz		–12		dB
		S22, 6 GHz to 12 GHz		–8		dB

(2) V<sub>OVERSHOOT</sub> overshoot and undershoot maximum measurements are largely affected by the PCB layout and input test pattern. The maximum value specified in [Electrical Characteristics](#) for V<sub>OVERSHOOT</sub> is based on bench evaluation across temperature and supply voltages with the LMH1297EVM.

## Electrical Characteristics (continued)

over operating free-air temperature range (unless otherwise noted)

PARAMETER		TEST CONDITIONS	MIN	TYP	MAX	UNIT
<b>DRIVER OUTPUT (OUT0±)</b>						
R <sub>OUT0_TERM</sub>	DC output differential termination	Measured across OUT0+ and OUT0–	80	100	120	Ω
V <sub>OD_OUT0</sub>	Output differential voltage at OUT0±	Measured with 8T pattern HOST_EQ0 = H		410		mVp-p
		HOST_EQ0 = F	485	560	620	mVp-p
		HOST_EQ0 = R		635		mVp-p
		HOST_EQ0 = L		810		mVp-p
V <sub>OD_OUT0_DE</sub>	De-emphasized output differential voltage at OUT0±	Measured with 8T pattern HOST_EQ0 = H		410		mVp-p
		HOST_EQ0 = F		550		mVp-p
		HOST_EQ0 = R		545		mVp-p
		HOST_EQ0 = L		532		mVp-p
t <sub>r</sub> /t <sub>f</sub>	Output rise and fall time	Measured with 8T Pattern, 20% – 80% amplitude		45		ps
R <sub>L_OUT0_SDD22</sub>	Output differential return loss <sup>(1)</sup>	Measured with the device powered up and outputs a 10-MHz clock signal SDD22, 10 MHz – 2.8 GHz		–24		dB
		SDD22, 2.8 GHz – 6 GHz		–16		dB
		SDD22, 6 GHz – 11.1 GHz		–15		dB
R <sub>L_OUT0_SCC22</sub>	Output common-mode return loss <sup>(1)</sup>	Measured with the device powered up and outputs a 10-MHz clock signal. SCC22, 10 MHz – 4.75 GHz		–12		dB
		SCC22, 4.75 GHz – 11.1 GHz		–9		dB
V <sub>OUT0_CM</sub>	AC common-mode voltage on OUT0± <sup>(1)</sup>	Default setting, PRBS31, 11.88 Gbps		8		mV (rms)
<b>OUTPUT JITTER</b>						
ADD <sub>JCD</sub>	Additive jitter <sup>(1)</sup>	Measured at SDI_OUT1+ and SDI_OUT2+, OUT0± disabled PRBS10, 12G/6G/3G/HD/SD		0.03		UI

## 6.6 Recommended SMBus Interface Timing Specifications

 over recommended operating supply and temperature ranges unless otherwise specified<sup>(1)</sup>

PARAMETER		TEST CONDITIONS	MIN	NOM	MAX	UNIT
F <sub>SCL</sub>	SMBUS SCL frequency		10		400	kHz
T <sub>BUF</sub>	Bus free time between stop and start condition	See <a href="#">Figure 1</a> .	1.3			μs
T <sub>HD:STA</sub>	Hold time after (repeated) start condition	After this period, the first clock is generated.	0.6			μs
T <sub>SU:STA</sub>	Repeated start condition setup time	See <a href="#">Figure 1</a> .	0.6			μs
T <sub>SU:STO</sub>	Stop condition setup time	See <a href="#">Figure 1</a> .	0.6			μs
T <sub>HD:DAT</sub>	Data hold time	See <a href="#">Figure 1</a> .	0			ns
T <sub>SU:DAT</sub>	Data setup time	See <a href="#">Figure 1</a> .	100			ns
T <sub>LOW</sub>	Clock low period	See <a href="#">Figure 1</a> .	1.3			μs
T <sub>HIGH</sub>	Clock high period	See <a href="#">Figure 1</a> .	0.6			μs
T <sub>R</sub>	Clock and data rise time	See <a href="#">Figure 1</a> .			300	ns
T <sub>F</sub>	Clock and data fall time	See <a href="#">Figure 1</a> .			300	ns
T <sub>POR</sub>	SMBus ready time after POR	Time from minimum VDDIO to SMBus valid write or read access			50	ms

(1) These parameters support SMBus 2.0 specifications.

### 6.7 Serial Parallel Interface (SPI) Timing Specifications

over recommended operating supply and temperature ranges unless otherwise specified<sup>(1)</sup>

PARAMETER	TEST CONDITIONS	MIN	NOM	MAX	UNIT
F <sub>SCK</sub>	SPI SCK frequency			20	MHz
T <sub>PH</sub>	SCK pulse width high	See Figure 2 and Figure 3	40		% SCK period
T <sub>PL</sub>	SCK pulse width low		40		% SCK period
T <sub>SU</sub>	MOSI setup time	See Figure 2 and Figure 3	4		ns
T <sub>H</sub>	MOSI hold time		4		ns
T <sub>SSSU</sub>	SS setup time	See Figure 2 and Figure 3	14		ns
T <sub>SSH</sub>	SS hold time		4		ns
T <sub>SSOF</sub>	SS off time		1		µs
T <sub>ODZ</sub>	MISO driven-to-tristate time		20		ns
T <sub>OZD</sub>	MISO tristate-to-driven time	See Figure 2 and Figure 3	10		ns
T <sub>OD</sub>	MISO output delay time		15		ns

(1) Typical SPI load capacitance is 2 pF.

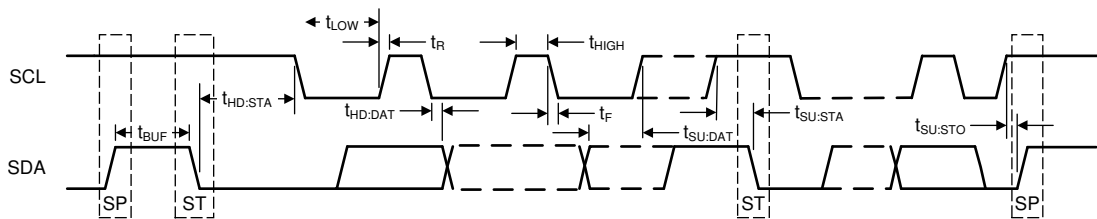


Figure 1. SMBus Timing Parameters

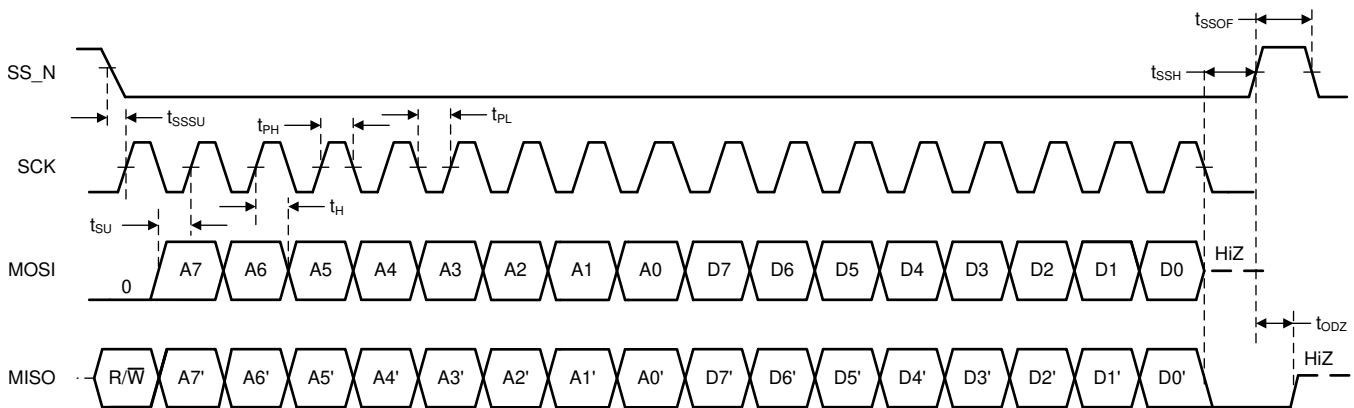
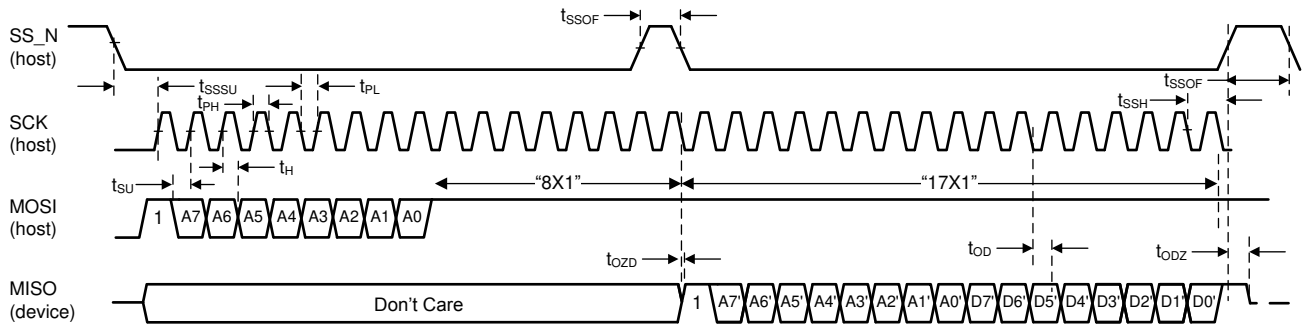


Figure 2. SPI Timing Parameters (Write Operation)



**Figure 3. SPI Timing Parameters (Read Operation)**

### 6.8 Typical Characteristics

T<sub>A</sub> = 25°C and VIN = RSV\_L = 2.5 V (unless otherwise noted)

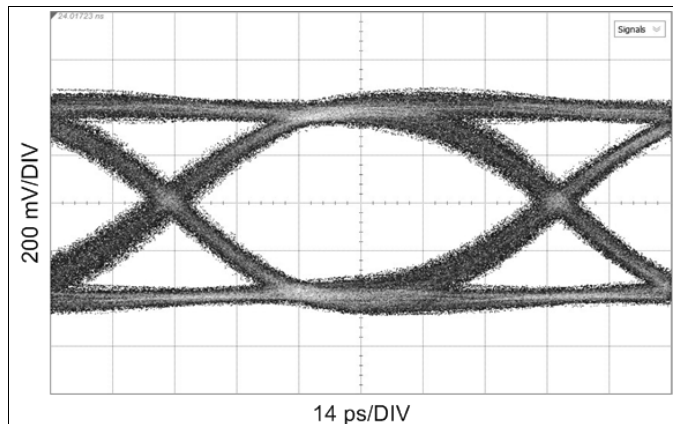


Figure 4. Output at 11.88 Gbps, Measured at SDI\_OUT1+, 1-in. FR4 Before IN0±

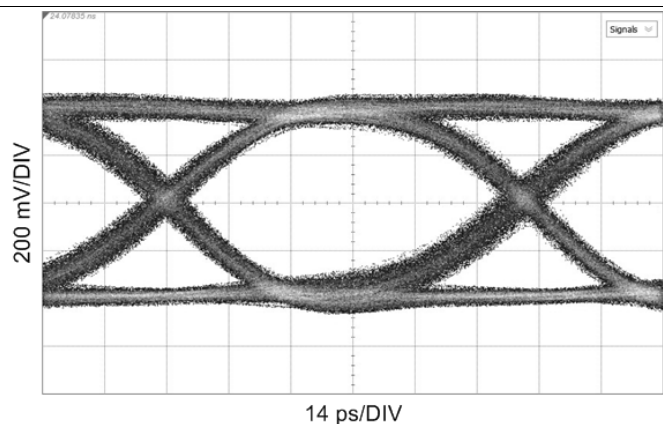


Figure 5. Output at 11.88 Gbps, Measured at SDI\_OUT2+, 1-in. FR4 Before IN0±

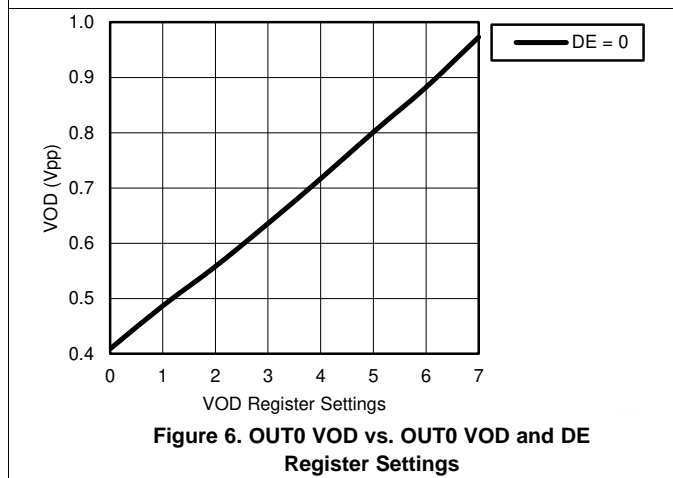


Figure 6. OUT0 VOD vs. OUT0 VOD and DE Register Settings

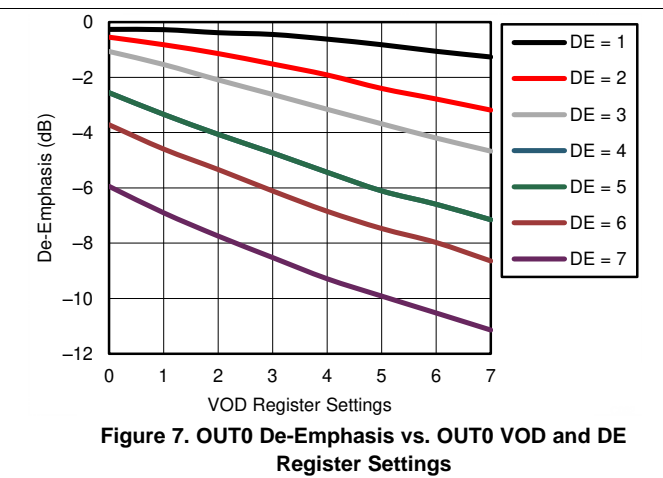
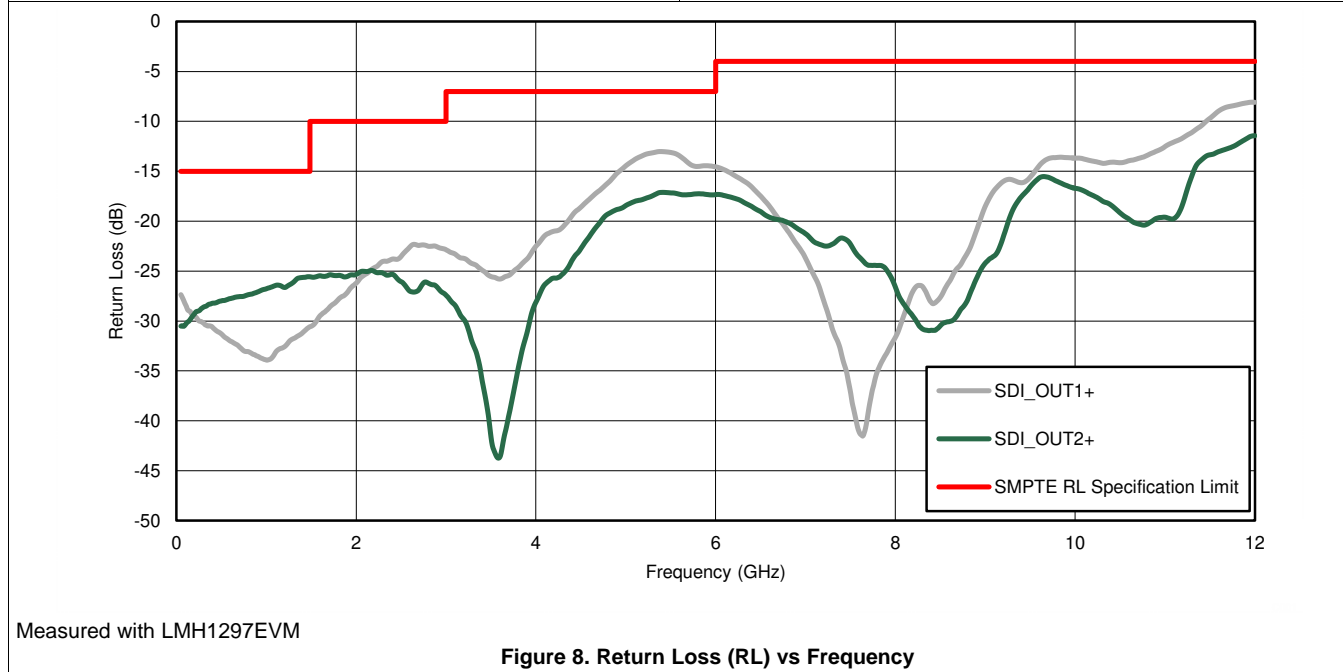


Figure 7. OUT0 De-Emphasis vs. OUT0 VOD and DE Register Settings



Measured with LMH1297EVM

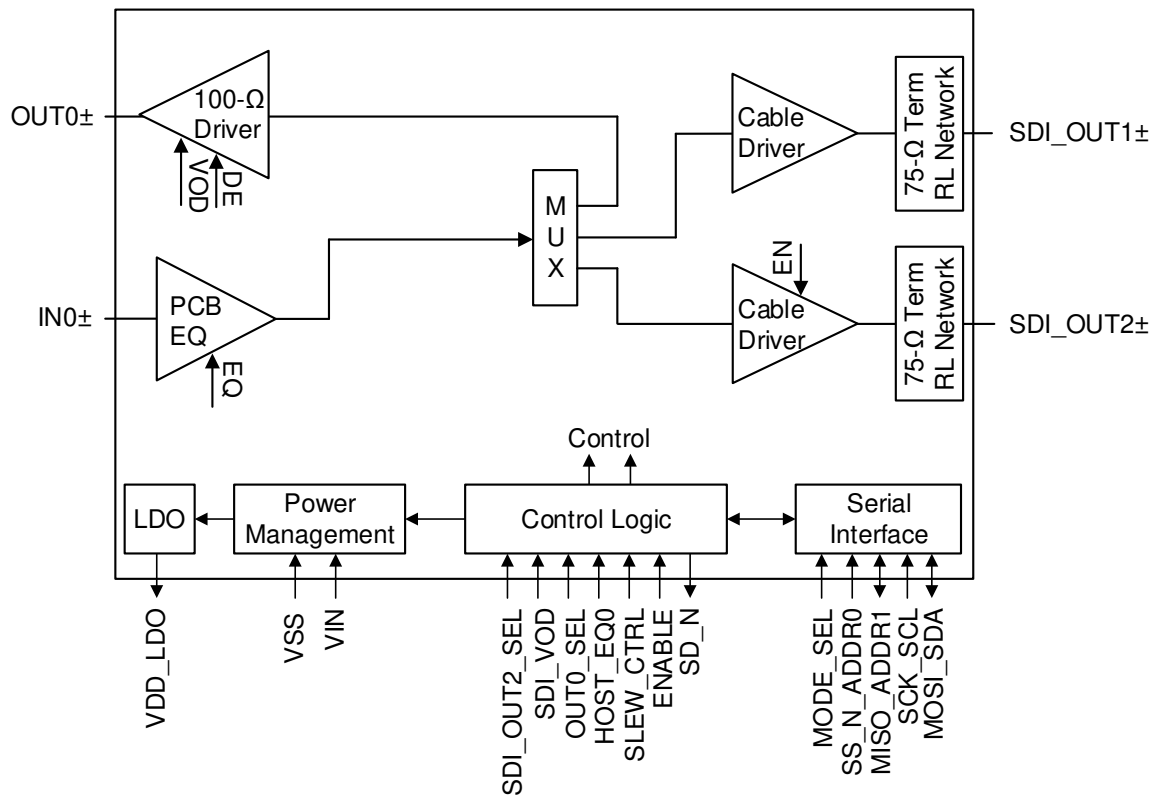
Figure 8. Return Loss (RL) vs Frequency

## 7 Detailed Description

### 7.1 Overview

The LMH1208 is a 12G UHD-SDI dual output cable driver. From the host-side input at  $IN0_{\pm}$ , the signal is equalized and routed to 75- $\Omega$  cable driver outputs at  $SDI\_OUT1_{\pm}$  and  $SDI\_OUT2_{\pm}$ . The 100- $\Omega$  driver at  $OUT0_{\pm}$  can be used as a host-side loop-back output for monitoring purposes.

### 7.2 Functional Block Diagram



Copyright © 2016, Texas Instruments Incorporated

**Figure 9. LMH1208 Block Diagram Overview**

## 7.3 Feature Description

The LMH1208 data path consists of several key blocks as shown in the functional block diagram. These key blocks are:

- [4-Level Input Pins and Thresholds](#)
- [OUT0\\_SEL and SDI\\_OUT2\\_SEL Control](#)
- [Input Signal Detect](#)
- [Continuous Time Linear Equalizer \(CTLE\)](#)
- [Output Driver Control](#)
- [Status Indicators and Interrupts](#)

### 7.3.1 4-Level Input Pins and Thresholds

The 4-level input configuration pins use a resistor divider to provide four logic states for each control pin. There is an internal 30-k $\Omega$  pullup and a 60-k $\Omega$  pulldown connected to the control pin that sets the default voltage at  $2/3 \times V_{IN}$ . These resistors, together with the external resistor, combine to achieve the desired voltage level. By using the 1-k $\Omega$  pulldown, 20-k $\Omega$  pulldown, no connect, and 1-k $\Omega$  pullup, the optimal voltage levels for each of the four input states are achieved as shown in [Table 1](#).

**Table 1. 4-Level Control Pin Settings**

LEVEL	SETTING	NOMINAL PIN VOLTAGE
H	Tie 1 k $\Omega$ to VIN	VIN
F	Float (leave pin open)	$2/3 \times V_{IN}$
R	Tie 20 k $\Omega$ to VSS	$1/3 \times V_{IN}$
L	Tie 1 k $\Omega$ to VSS	0

Typical 4-Level Input Thresholds:

- Internal Threshold between L and R =  $0.2 \times V_{IN}$
- Internal Threshold between R and F =  $0.5 \times V_{IN}$
- Internal Threshold between F and H =  $0.8 \times V_{IN}$

### 7.3.2 OUT0\_SEL and SDI\_OUT2\_SEL Control

The OUT0\_SEL and SDI\_OUT2\_SEL pins select the LMH1208 data-path routes. [Table 2](#) shows all possible signal path combinations and typical use cases for each configuration.

**Table 2. LMH1208 Signal Path Combinations**

OUT0_SEL	SDI_OUT2_SEL	INPUT	MAIN OUTPUT	LINE SIDE SECONDARY OUTPUT	HOST SIDE LOOP-BACK OUTPUT	TYPICAL APPLICATION
H	H	IN0 $\pm$	SDI_OUT1 $\pm$			Single cable driver
H	L	IN0 $\pm$	SDI_OUT1 $\pm$	SDI_OUT2 $\pm$		Dual cable drivers
L	H	IN0 $\pm$	SDI_OUT1 $\pm$		OUT0 $\pm$	Single cable driver with host-side loop-back enabled
L	L	IN0 $\pm$	SDI_OUT1 $\pm$	SDI_OUT2 $\pm$	OUT0 $\pm$	Dual cable drivers with host-side loop-back enabled

### 7.3.3 Input Signal Detect

IN0 has a signal detect circuit to monitor the presence or absence of an input signal. When the input signal amplitude for the selected input exceeds the signal detect assert threshold, the LMH1208 operates in normal operation mode.

In the absence of an input signal, the LMH1208 automatically goes into Power Save Mode to conserve power dissipation. When a valid signal is detected, the LMH1208 automatically exits Power Save Mode and returns to the normal operation mode. If the ENABLE pin is pulled low, the LMH1208 is forced into Power-Down Mode. In Power Save Mode, both the signal detect circuit and the serial interface remain active. In Power-Down Mode, only the serial interface remains active.

Users can monitor the status of the signal detect with the SD\_N pin or through register programming.

**Table 3. Input Signal Detect Modes of Operation**

ENABLE	SIGNAL INPUT	OPERATING MODE
H	100-Ω signal input at IN0±	Normal operation Signal Detector at IN0± Serial interface active
H	No signal at IN0±	Power Save Mode Signal Detector at IN0± Serial interface active
L	Input signal ignored	Power-Down Mode Forced device power down Serial interface active

### 7.3.4 Continuous Time Linear Equalizer (CTLE)

The LMH1208 has a continuous time linear equalizer (CTLE) block for IN0. The CTLE compensates for frequency-dependent loss due to the transmission media prior to the device input. The CTLE accomplishes this by applying variable gain to the input signal, thereby boosting higher frequencies more than lower frequencies. The CTLE block extends the signal bandwidth, restores the signal amplitude, and reduces ISI caused by the transmission medium.

IN0 has an on-chip 100-Ω termination and is designed for AC coupling, requiring a 4.7-μF, AC-coupling capacitor for minimizing base-line wander. The PCB equalizer can compensate up to 20 inches of board trace at data rates up to 11.88 Gbps. There is one adapt mode for IN0: AM0 manual mode. In AM0 manual mode, fixed EQ boost settings are applied through user-programmable control.

The HOST\_EQ0 pin determines the IN0 adapt mode and EQ boost level. For normal operation, HOST\_EQ0 = F is recommended. HOST\_EQ0 pin logic settings are shown in [Table 4](#). These HOST\_EQ0 pin settings can be overridden by register control. For more information, refer to the [LMH1228 and LMH1208 Programming Guide](#) (SNAU206).

**Table 4. HOST\_EQ0 Pin EQ Settings**

HOST_EQ0 <sup>(1)</sup>	IN0± EQ BOOST	RECOMMENDED BOARD TRACE IN0± <sup>(2)</sup>
H, F	All Rates: AM0 Manual Mode, EQ=0x00	< 1 inch
R	All Rates: AM0 Manual Mode, EQ=0x80	10-15 inches
L	All Rates: AM0 Manual Mode, EQ=0x90	20 inches

- (1) The HOST\_EQ0 pin is also used to set OUT0 VOD and de-emphasis values. See [Host-Side 100-Ω Output Driver \(OUT0±\)](#) for more information.
- (2) Recommended board trace at 11.88 Gbps.

### 7.3.5 Output Driver Control

#### 7.3.5.1 Line-Side Output Cable Driver (SDI\_OUT1+, SDI\_OUT2+)

The LMH1208 has two output cable driver (CD) blocks, one for SDI\_OUT1 and another for SDI\_OUT2. These SDI outputs are designed to drive 75-Ω single-ended coaxial cables at data rates up to 11.88 Gbps. Both SDI\_OUT1 and SDI\_OUT2 feature an integrated 75-Ω termination and return loss compensation network for meeting stringent SMPTE return loss requirements (see [Figure 8](#)). The cable drivers are designed for AC coupling, requiring a 4.7-μF, AC-coupling capacitor for minimizing base-line wander due to the rare-occurring pathological bit pattern.

##### 7.3.5.1.1 Output Amplitude (VOD)

SDI\_OUT1 and SDI\_OUT2 are designed for transmission across 75-Ω single-ended impedance. The nominal SDI cable driver output amplitude (VOD) is 800 mVp-p single-ended. In the presence of long output cable lengths or crosstalk, the SDI\_VOD pin can be used to optimize the cable driver output with respect to the nominal amplitude. [Table 5](#) details VOD settings that can be applied to both SDI\_OUT1 and SDI\_OUT2. The SDI\_VOD pin can be overridden through register control. In addition, the nominal VOD amplitude can be changed by register control. For more information, refer to the [LMH1228 and LMH1208 Programming Guide](#) (SNAU206).



**Table 5. SDI\_VOD Settings for Line-Side Output Amplitude**

SDI_VOD	DESCRIPTION
H	about +5% of nominal
F	800 mVp-p (nominal)
R	about +10% of nominal
L	about –5% of nominal

### 7.3.5.1.2 Output Pre-Emphasis

In addition to SDI cable driver VOD control, the LMH1208 can add pre-emphasis on the cable driver output to improve output signal integrity at a UHD (12G, 6G) or HD (3G, 1.5G) input data rate. By default, pre-emphasis is enabled based on the SLEW\_CTRL pin setting shown in [Table 6](#).

**Table 6. SLEW\_CTRL Settings for SDI\_OUT1 and SDI\_OUT2 Pre-Emphasis**

SLEW_CTRL	OUTPUT PRE-EMPHASIS	DATA RATE
H	Enabled	UHD: 11.88 Gbps UHD: 5.94 Gbps
F	Disabled	HD: 2.97 Gbps HD: 1.485 Gbps
R, L	Disabled	SD: 270 Mbps

When enabled, the amount of pre-emphasis applied to cable driver outputs is determined by register control. When disabled, no pre-emphasis is applied. Pre-emphasis control can be overridden for select or all data rates through register control. For more information, refer to the [LMH1228 and LMH1208 Programming Guide](#) (SNAU206).

### 7.3.5.1.3 Output Slew Rate

SMPTE specifications require different output driver rise and fall times depending on the operating data rate. To meet these requirements, the output edge rate of SDI\_OUT1 and SDI\_OUT2 can be configured by the SLEW\_CTRL pin. [Table 7](#) shows the recommended SLEW\_CTRL pin logic setting and typical edge rate at the cable driver output for each data rate.

**Table 7. SLEW\_CTRL Settings for SDI\_OUT1 and SDI\_OUT2 Output Edge Rate**

SLEW_CTRL	DATA RATE	CABLE DRIVER OUTPUT EDGE RATE (TYP)
H	11.88 Gbps	34 ps
	5.94 Gbps	36 ps
F	2.97 Gbps	59 ps
	1.485 Gbps	60 ps
R, L	270 Mbps	550 ps

Users can also program the desired edge rate manually through register control. For more information, refer to the [LMH1228 and LMH1208 Programming Guide](#) (SNAU206).

### 7.3.5.1.4 Output Polarity Inversion

Polarity inversion is supported on both SDI\_OUT1 and SDI\_OUT2 outputs through register control.

### 7.3.5.2 Host-Side 100-Ω Output Driver (OUT0±)

OUT0 is a 100-Ω driver output. OUT0 serves as a host-side loop-back output. OUT0 also supports polarity inversion.

The driver offers users the capability to select higher output amplitude and de-emphasis levels for longer board trace that connects the drivers to their downstream receivers. Driver de-emphasis provides transmitter equalization to reduce the ISI caused by the board trace.

The VOD and de-emphasis levels for OUT0 are set by default to 570 mVp-p and –0.4 dB, and these values are recommended for driving 1-2 inches of board trace from OUT0± at 11.88 Gbps. These settings can be changed through register control if desired. When these parameters are controlled by registers, the VOD and de-emphasis levels can be programmed independently. For more information, refer to the [LMH1228 and LMH1208 Programming Guide](#) (SNAU206).

### 7.3.6 Status Indicators and Interrupts

The SD\_N pin is a 3.3-V tolerant, active-low, open-drain output. An external resistor to the logic supply is required. The SD\_N pin can be configured to indicate input signal detect or an interrupt event.

#### 7.3.6.1 SD\_N (Signal Detect)

By default, SD\_N indicates a SD\_N (signal detect) event, and this pin asserts low after a valid signal is detected by the IN0 signal detect circuit. For more information about how to reconfigure the SD\_N pin functionality, refer to the [LMH1228 and LMH1208 Programming Guide](#) (SNAU206).

#### 7.3.6.2 INT\_N (Interrupt)

The SD\_N pin can be configured to indicate an INT\_N (interrupt) event. When configured as an INT\_N output, the pin asserts low when an interrupt occurs, according to the programmed interrupt masks. Two separate masks can be programmed through register control as interrupt sources:

- If there is a loss of signal (LOS) event on IN0 (2 separate masks).

INT\_N is a sticky bit, meaning that it will flag after an interrupt occurs and will not clear until read-back. Once the Interrupt Status Register is read, the INT\_N pin will assert high again. For more information about how to configure the SD\_N pin for INT\_N functionality, refer to the [LMH1228 and LMH1208 Programming Guide](#) (SNAU206).

## 7.4 Device Functional Modes

The LMH1208 operates in one of two modes: System Management Bus (SMBus) or Serial Peripheral Interface (SPI) mode. To determine the mode of operation, the proper setting must be applied to the MODE\_SEL pin at power up, as detailed in [Table 8](#).

**Table 8. MODE\_SEL Pin Settings**

LEVEL	DESCRIPTION
H	Reserved for factory testing – do not use
F	Selects SPI Interface for register access
R	Reserved for factory testing – do not use
L	Selects SMBus Interface for register access

### 7.4.1 System Management Bus (SMBus) Mode

The SMBus interface can also be used to control the device. If MODE\_SEL = Low (1 kΩ to VSS), Pins 13 and 29 are configured as SDA and SCL. Pins 11 and 28 are address straps ADDR0 and ADDR1 during power up. The maximum operating speed supported on the SMBUS pins is 400 kHz.

**Table 9. SMBus Device Slave Addresses<sup>(1)</sup>**

ADDR0 (LEVEL)	ADDR1 (LEVEL)	7-BIT SLAVE ADDRESS [HEX]	8-BIT WRITE COMMAND [HEX]
L	L	2D	5A
L	R	2E	5C
L	F	2F	5E
L	H	30	60
R	L	31	62
R	R	32	64
R	F	33	66
R	H	34	68
F	L	35	6A
F	R	36	6C
F	F	37	6E
F	H	38	70
H	L	39	72
H	R	3A	74
H	F	3B	76
H	H	3C	78

(1) The 8-bit write command consists of the 7-bit slave address (Bits 7:1) with 0 appended to the LSB to indicate an SMBus write. For example, if the 7-bit slave address is 0x2D (010 1101'b), the 8-bit write command is 0x5A (0101 1010'b).

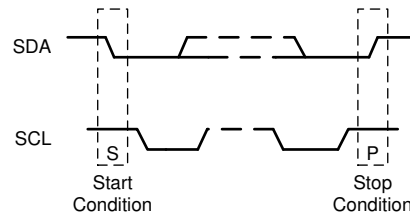
#### 7.4.1.1 SMBus Read and Write Transaction

SMBus is a two-wire serial interface through which various system component chips can communicate with the master. Slave devices are identified by having a unique device address. The two-wire serial interface consists of SCL and SDA signals. SCL is a clock output from the master to all of the slave devices on the bus. SDA is a bidirectional data signal between the master and slave devices. The LMH1208 SMBus SCL and SDA signals are open-drain and require external pullup resistors.

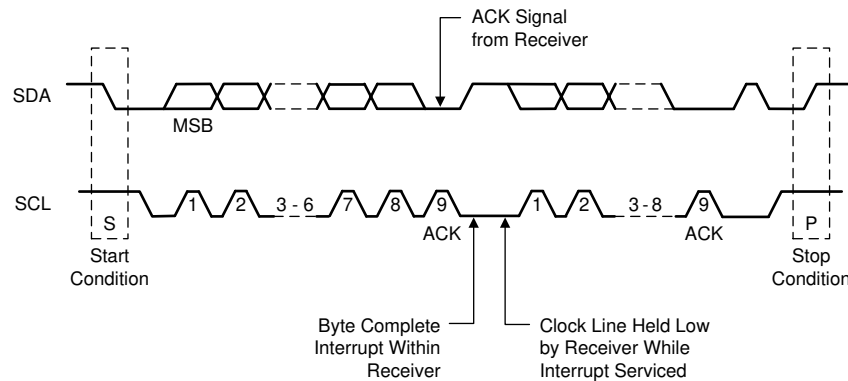
#### Start and Stop:

The master generates Start and Stop patterns at the beginning and end of each transaction.

- Start: High-to-low transition (falling edge) of SDA while SCL is high.
- Start: High-to-low transition (falling edge) of SDA while SCL is high.


**Figure 10. Start and Stop Conditions**

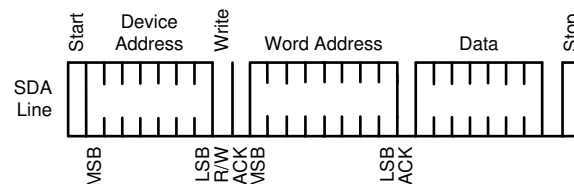
The master generates nine clock pulses for each byte transfer. The 9th clock pulse constitutes the ACK cycle. The transmitter releases SDA to allow the receiver to send the ACK signal. An ACK is recorded when the device pulls SDA low, while a NACK is recorded if the line remains high.


**Figure 11. Acknowledge (ACK)**

#### 7.4.1.1.1 SMBus Write Operation Format

Writing data to a slave device consists of three parts, as illustrated in [Figure 12](#):

1. The master begins with a start condition followed by the slave device address with the  $R/\overline{W}$  bit set to 0'b.
2. After an ACK from the slave device, the 8-bit register word address is written.
3. After an ACK from the slave device, the 8-bit data is written, followed by a stop condition.


**Figure 12. SMBus Write Operation**

#### 7.4.1.1.2 SMBus Read Operation Format

SMBus read operation consists of four parts, as illustrated in [Figure 13](#):

1. The master begins with a start condition, followed by the slave device address with the  $R/\overline{W}$  bit set to 0'b.
2. After an ACK from the slave device, the 8-bit register word address is written.
3. After an ACK from the slave device, the master initiates a restart condition, followed by the slave address with the  $R/\overline{W}$  bit set to 1'b.
4. After an ACK from the slave device, the 8-bit data is read-back. The last ACK is high if there are no more bytes to read, and the last read is followed by a stop condition.

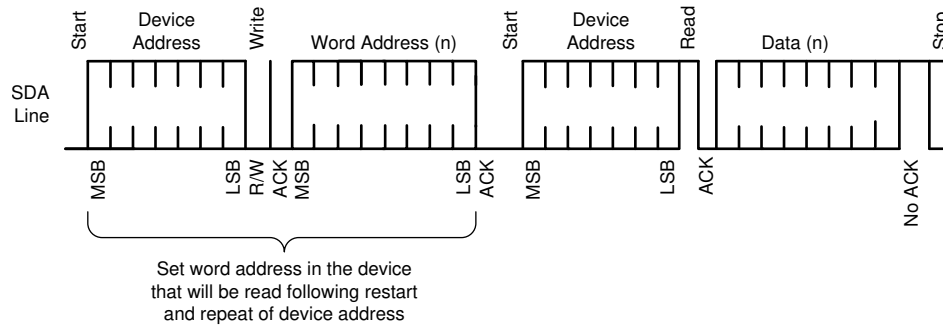


Figure 13. SMBus Read Operation

### 7.4.2 Serial Peripheral Interface (SPI) Mode

If `MODE_SEL = F` or `H`, the LMH1208 is in SPI mode. In SPI mode, the following pins are used for SPI bus communication:

- MOSI (Pin 13): Master Output Slave Input
- MISO (Pin 28): Master Input Slave Output
- SS\_N (Pin 11): Slave Select (Active Low)
- SCK (Pin 29): Serial Clock (Input to the LMH1208 Slave Device)

#### 7.4.2.1 SPI Read and Write Transactions

Each SPI transaction to a single device is 17 bits long and is framed by `SS_N` when asserted low. The MOSI input is ignored, and the MISO output is floated whenever `SS_N` is deasserted (high).

The bits are shifted in left-to-right. The first bit is  $R/\overline{W}$ , which is 1'b for *read* and 0'b for *write*. Bits A7-A0 are the 8-bit register address, and bits D7-D0 are the 8-bit read or write data. The previous SPI command, address, and data are shifted out on MISO as the current command, address, and data are shifted in on MOSI. In all SPI transactions, the MISO output signal is enabled asynchronously when `SS_N` asserts low. The contents of a single MOSI or MISO transaction frame are shown in Figure 14.

Figure 14. 17-Bit Single SPI Transaction Frame

R/W	A7	A6	A5	A4	A3	A2	A1	A0	D7	D6	D5	D4	D3	D2	D1	D0
-----	----	----	----	----	----	----	----	----	----	----	----	----	----	----	----	----

### 7.4.2.2 SPI Write Transaction Format

For SPI writes, the R/W bit is 0'b. SPI write transactions are 17 bits per device, and the command is executed on the rising edge of SS\_N. The SPI transaction always starts on the rising edge of the clock.

The signal timing for a SPI Write transaction is shown in Figure 2. The *prime* values on MISO (for example, A7') reflect the contents of the shift register from the previous SPI transaction and are listed as don't care for the current transaction.

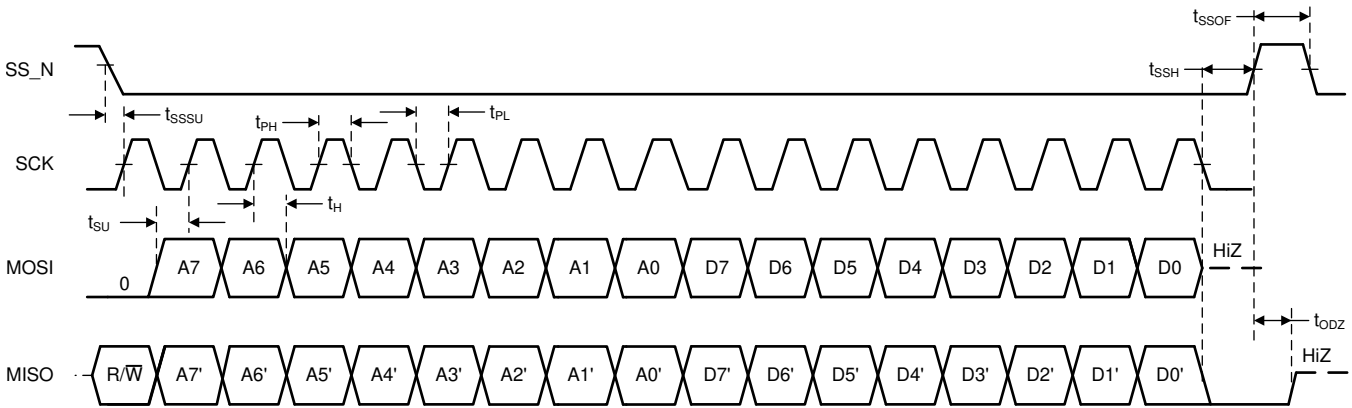


Figure 15. Signal Timing for a SPI Write Transaction

### 7.4.2.3 SPI Read Transaction Format

A SPI read transaction is 34 bits per device and consists of two 17-bit frames. The first 17-bit read transaction frame shifts in the address to be read, followed by a dummy transaction second frame to shift out 17-bit read data. The R/W bit is 1'b for the read transaction, as shown in Figure 3.

The first 17 bits from the read transaction specifies 1-bit of R/W and 8-bits of address A7-A0 in the first 8 bits. The eight 1's following the address are ignored. The second dummy transaction acts like a read operation on address 0xFF and needs to be ignored. However, the transaction is necessary in order to shift out the read data D7-D0 in the last 8 bits of the MISO output. As with the SPI Write, the *prime* values on MISO during the first 16 clocks are listed as don't care for this portion of the transaction. The values shifted out on MISO during the last 17 clocks reflect the read address and 8-bit read data for the current transaction.

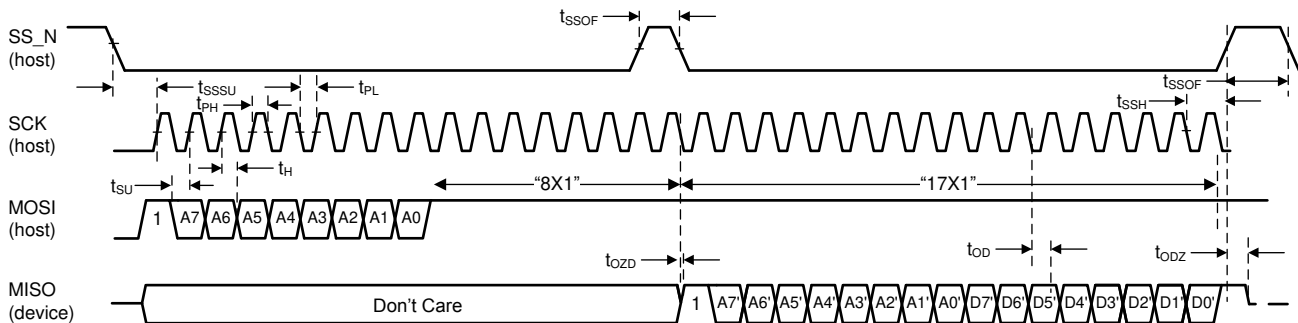


Figure 16. Signal Timing for a SPI Read Transaction

### 7.4.2.4 SPI Daisy Chain

The LMH1208 supports SPI daisy-chaining among multiple devices, as shown in Figure 17.

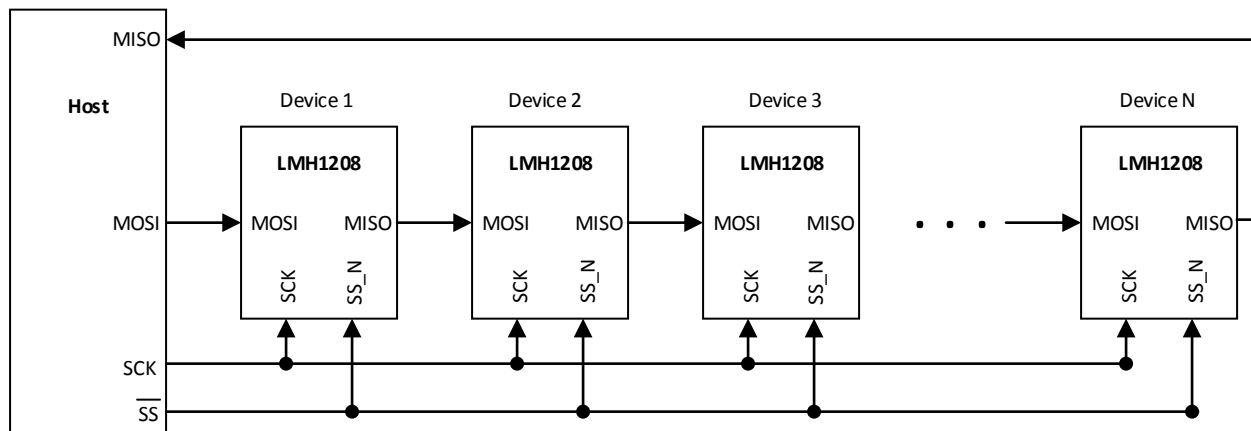


Figure 17. Daisy-Chain Configuration

Each LMH1208 device is directly connected to the SCK and SS\_N pins of the host. The first LMH1208 device in the chain is connected to the host's MOSI pin, and the last device in the chain is connected to the host's MISO pin. The MOSI pin of each intermediate LMH1208 device in the chain is connected to the MISO pin of the previous LMH1208 device, thereby creating a serial shift register. In a daisy-chain configuration of  $N \times$  LMH1208 devices, the host conceptually sees a shift register of length  $17 \times N$  for a basic SPI transaction, during which SS\_N is asserted low for  $17 \times N$  clock cycles.

## 7.5 Register Maps

The LMH1208 register map is divided into three register pages. These register pages are used to control different aspects of the LMH1208 functionality. A brief summary of the pages is shown below:

1. **Share Register Page:** This page corresponds to global parameters, such as LMH1208 device ID and SD\_N status configuration. This is the default page at start-up. Access this page by setting Reg 0xFF[2:0] = 000'b.
2. **CTLE Register Page:** This page corresponds to IN0 PCB CTLE, output mux settings, and output interrupt overrides. Access this page by setting Reg 0xFF[2:0] = 100'b.
3. **Driver Register Page:** This page corresponds to OUT0, SDI\_OUT1, and SDI\_OUT2 driver output settings. Access this page by setting Reg 0xFF[2:0] = 101'b.

For the complete register map, typical device configurations, and proper register reset sequencing, refer to the [LMH1228 and LMH1208 Programming Guide](#) (SNAU206).

## 8 Application and Implementation

### NOTE

Information in the following applications sections is not part of the TI component specification, and TI does not warrant its accuracy or completeness. TI's customers are responsible for determining suitability of components for their purposes. Customers should validate and test their design implementation to confirm system functionality.

### 8.1 Application Information

#### 8.1.1 SMPTE Requirements and Specifications

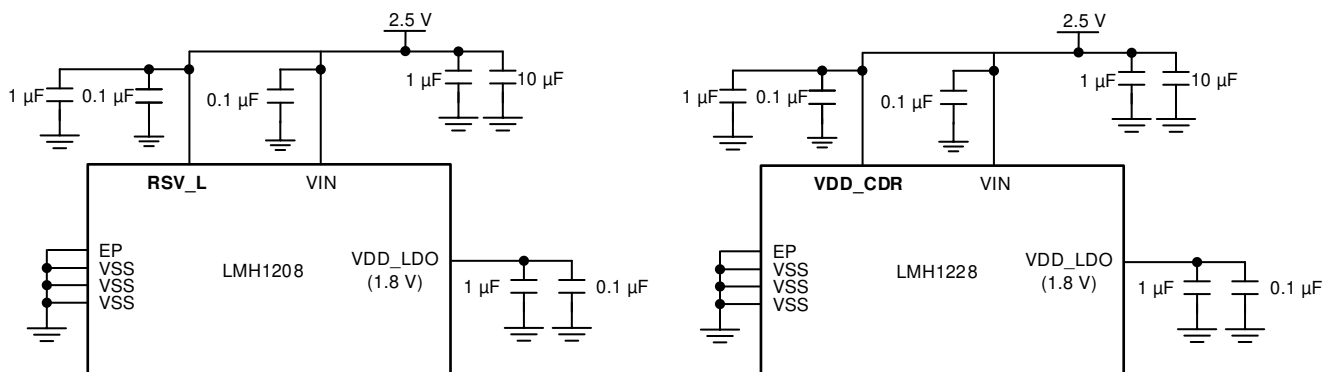
SMPTE specifies several key requirements for the Serial Digital Interface to transport digital video over coaxial cables. Such requirements include return loss, AC coupling, and data rate dependency with rise and fall times.

1. **Return Loss:** This specification details how closely the port resembles 75-Ω impedance across a specified frequency band. The LMH1208 features a built-in 75-Ω return-loss network on SDI\_OUT1 and SDI\_OUT2 to minimize parasitics and improve overall signal integrity.
2. **AC Coupling:** AC-coupling capacitors are required for transporting uncompressed serial data streams with heavy low-frequency content. The use of 4.7-μF, AC-coupling capacitors is recommended to avoid low-frequency DC wander.
3. **Rise/Fall Time:** Output 75-Ω signals are required to meet certain rise and fall timing depending on the data rate. This improves the eye opening observed for the receiving device. The LMH1208 SDI\_OUT1 and SDI\_OUT2 cable drivers feature programmable edge rate adjustment to meet SMPTE rise and fall time requirements.

TI recommends placing the LMH1208 as close as possible to the 75-Ω BNC ports to meet SMPTE specifications.

#### 8.1.2 LMH1208 and LMH1228 Compatibility

The LMH1208 is pin-compatible with the LMH1228 (12G UHD-SDI Dual Output Cable Driver with Integrated Reclocker) when LMH1208 RSV\_L pin is tied to 2.5 V. This pin compatibility allows users to upgrade easily to the LMH1228. See [Figure 18](#) for details.



Copyright © 2016, Texas Instruments Incorporated

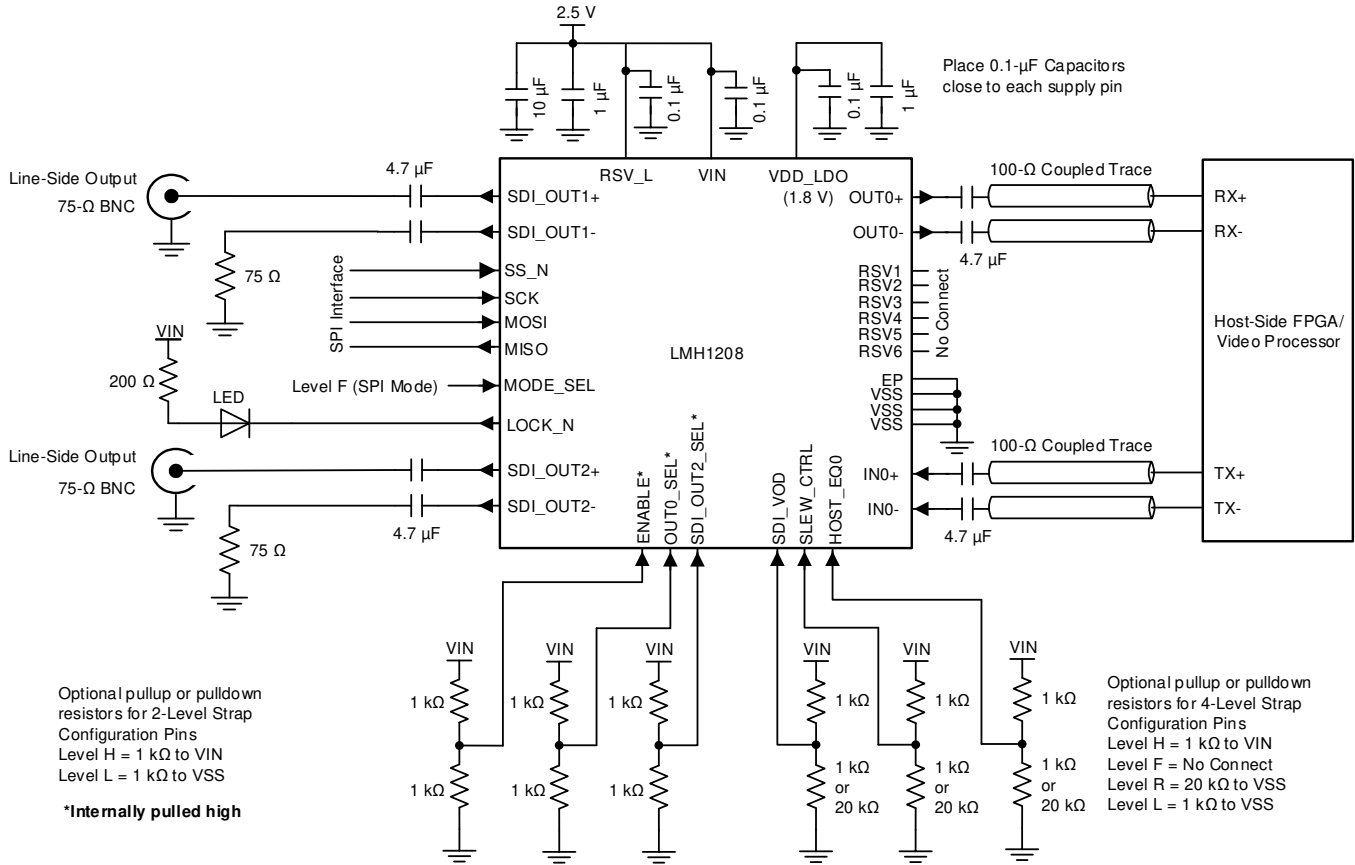
Figure 18. Pin Connections for LMH1208 and LMH1228 Compatibility



## 8.2 Typical Applications

The LMH1208 is a dual cable driver that supports SDI data rates up to 11.88 Gbps. Figure 19 shows a typical application circuit for the LMH1208.

Specific examples of typical applications for the LMH1208 as a dual cable driver and distribution amplifier are detailed in the following subsections.



Copyright © 2016, Texas Instruments Incorporated

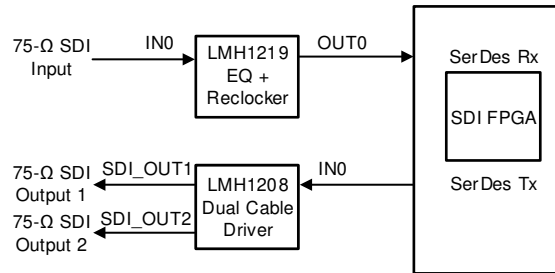
Figure 19. LMH1208 Typical Application Circuit

## Typical Applications (continued)

### 8.2.1 Dual Cable Driver

The LMH1208 can be configured as a dual cable driver to route the same SDI output signal to multiple receivers. In this configuration, the LMH1208 is programmed to equalize 100-Ω SDI input data at IN0 and uses the dual cable drivers at SDI\_OUT1 and SDI\_OUT2 to drive out the SDI signal.

Figure 20 shows a typical application of an LMH1208 as a dual cable driver output. In this example, the LMH1219 Cable EQ with Integrated Reclocker provides an SDI input to the SDI FPGA. The FPGA then sends post-processed SDI data to the IN0 of the LMH1208, which drives the data on cable driver outputs SDI\_OUT1 and SDI\_OUT2.



Copyright © 2016, Texas Instruments Incorporated

Figure 20. LMH1208 Dual Cable Driver Application

#### 8.2.1.1 Design Requirements

For general LMH1208 design requirements, reference the guidelines in Table 10.

For dual cable driver application-specific requirements, reference the guidelines in Table 11.

Table 10. LMH1208 General Design Requirements

DESIGN PARAMETER	REQUIREMENTS
SDI_OUT1+, SDI_OUT2+ AC-coupling capacitors	4.7-μF capacitors recommended
SDI_OUT1-, SDI_OUT2- AC-coupling capacitors	4.7-μF capacitors recommended, AC terminated with 75 Ω to VSS.
IN0± and OUT0± AC-coupling capacitors	4.7-μF capacitors recommended
Input and output terminations	Input and output terminations provided internally. Do <b>not</b> add external terminations.
DC power supply decoupling capacitors	10-μF and 1-μF bulk capacitors; place close to each device. 0.1-μF capacitor; place close to each supply pin.
VDD_LDO decoupling capacitors	1-μF and 0.1-μF capacitors; place as close as possible to the device VDD_LDO pin.
MODE_SEL pin	SPI: Leave MODE_SEL unconnected (Level F) SMBus: Connect 1 kΩ to VSS (Level L)

Table 11. LMH1208 Dual Cable Driver Requirements

DESIGN PARAMETER	REQUIREMENTS
OUT0_SEL pin	1 kΩ to VIN (Level H) to disable the OUT0 loop-back output
SDI_OUT2_SEL pin	1 kΩ to VSS (Level L) to enable SDI_OUT2 as secondary cable output

#### 8.2.1.2 Detailed Design Procedure

The design procedure for dual cable driver applications is as follows:

1. Select a power supply that meets the DC and AC requirements in [Recommended Operating Conditions](#).
2. Choose a small 0402 surface mount ceramic capacitor for AC-coupling capacitors to maintain characteristic impedance.
3. Choose a high-quality, 75-Ω BNC connector that is capable of supporting 11.88-Gbps applications. Consult a BNC supplier regarding insertion loss, impedance specifications, and recommended footprint for meeting

SMPTE return loss.

4. Follow detailed high-speed layout recommendations provided in [Layout Guidelines](#) to ensure optimal signal quality when interconnecting 75-Ω and 100-Ω signals to the LMH1208.
5. Determine whether SPI or SMBus communication is necessary. If the LMH1208 must be programmed with settings other than what is offered by pin control, users must use SPI or SMBus Mode for additional programming.
6. Configure OUT0\_SEL and SDI\_OUT2\_SEL pins according to the desired default use case.
7. Tune the SDI\_VOD output amplitude control pin for optimal signal quality depending on the cable length attached at SDI\_OUT1+ and SDI\_OUT2+. Use register control for more tuning options, if necessary.

### 8.2.1.3 Application Curves

The LMH1208 performance on SDI\_OUT1+ and SDI\_OUT2+ was measured with the test setups shown in [Figure 21](#) and [Figure 22](#).

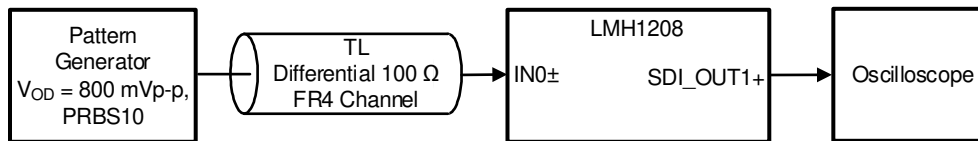


Figure 21. Test Setup for LMH1208 to SDI\_OUT1+

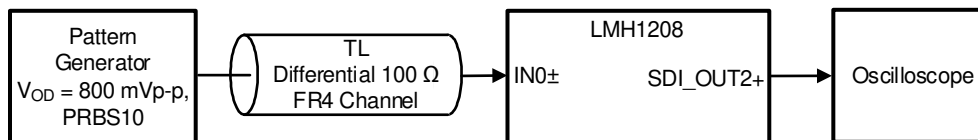
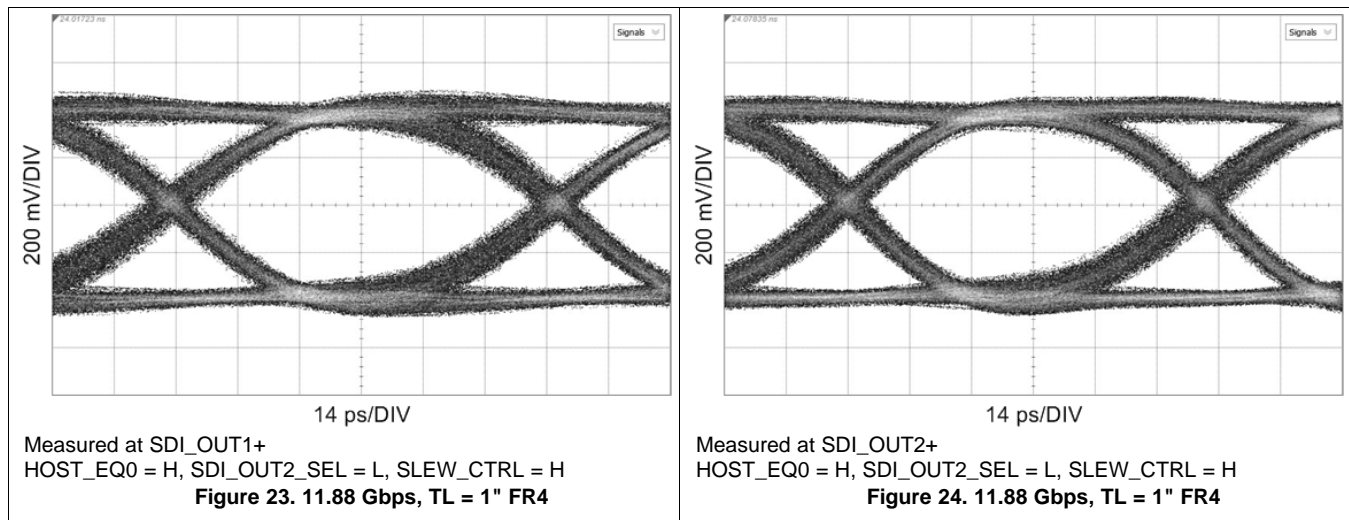
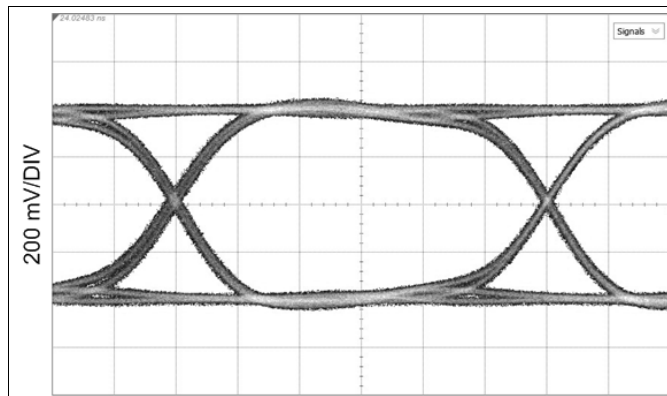


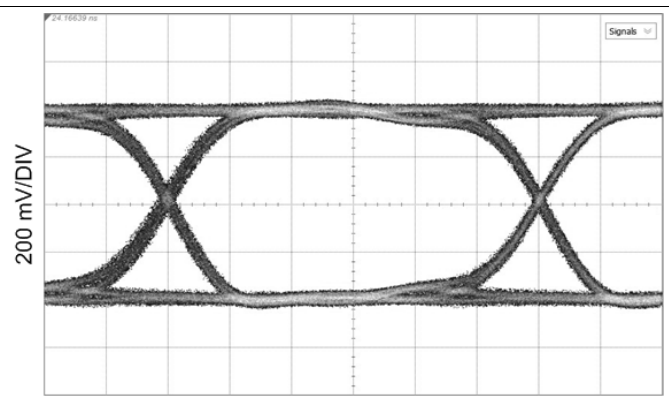
Figure 22. Test Setup for LMH1208 to SDI\_OUT2+

The eye diagrams in this subsection show how the LMH1208 improves overall signal integrity in the data path for 100-Ω differential FR4 PCB trace at IN0±.

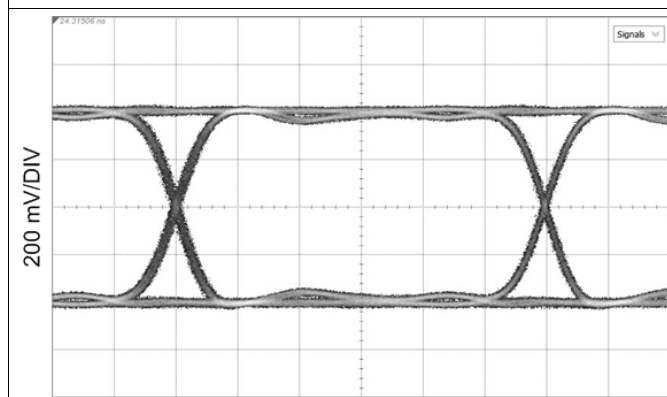




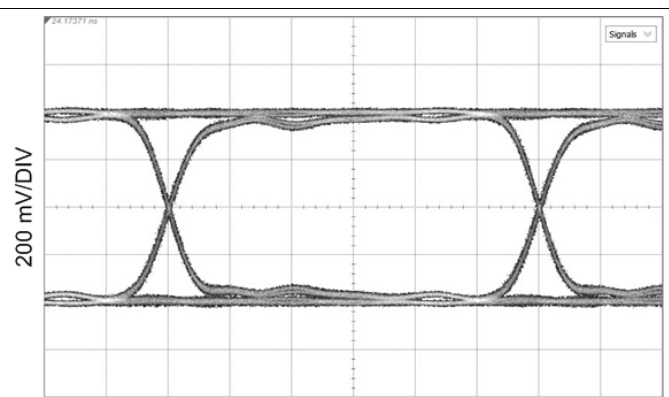
Measured at SDI\_OUT1+  
HOST\_EQ0 = H, SDI\_OUT2\_SEL = L, SLEW\_CTRL = H  
**Figure 25. 5.94 Gbps, TL = 1" FR4**



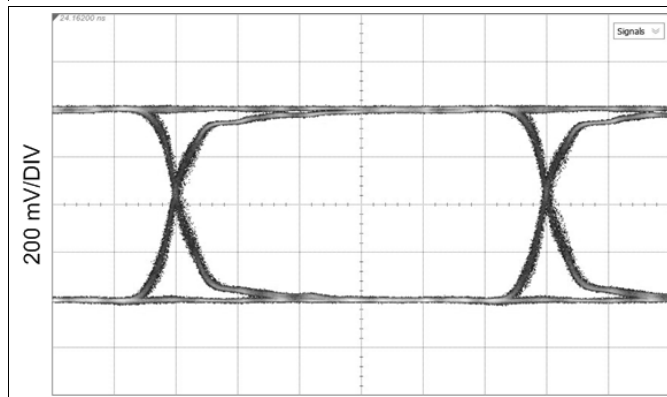
Measured at SDI\_OUT2+  
HOST\_EQ0 = H, SDI\_OUT2\_SEL = L, SLEW\_CTRL = H  
**Figure 26. 5.94 Gbps, TL = 1" FR4**



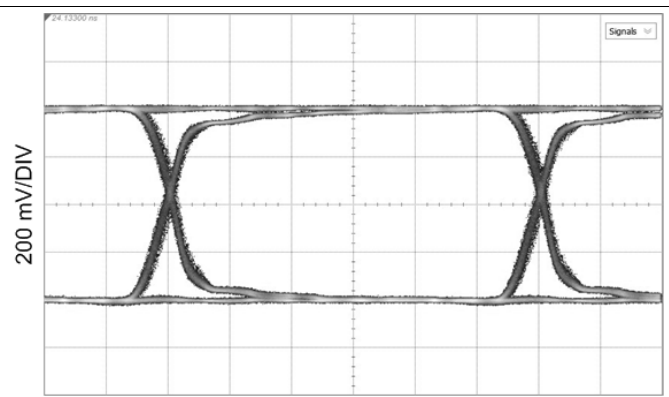
Measured at SDI\_OUT1+  
HOST\_EQ0 = H, SDI\_OUT2\_SEL = L, SLEW\_CTRL = F  
**Figure 27. 2.97 Gbps, TL = 1" FR4**



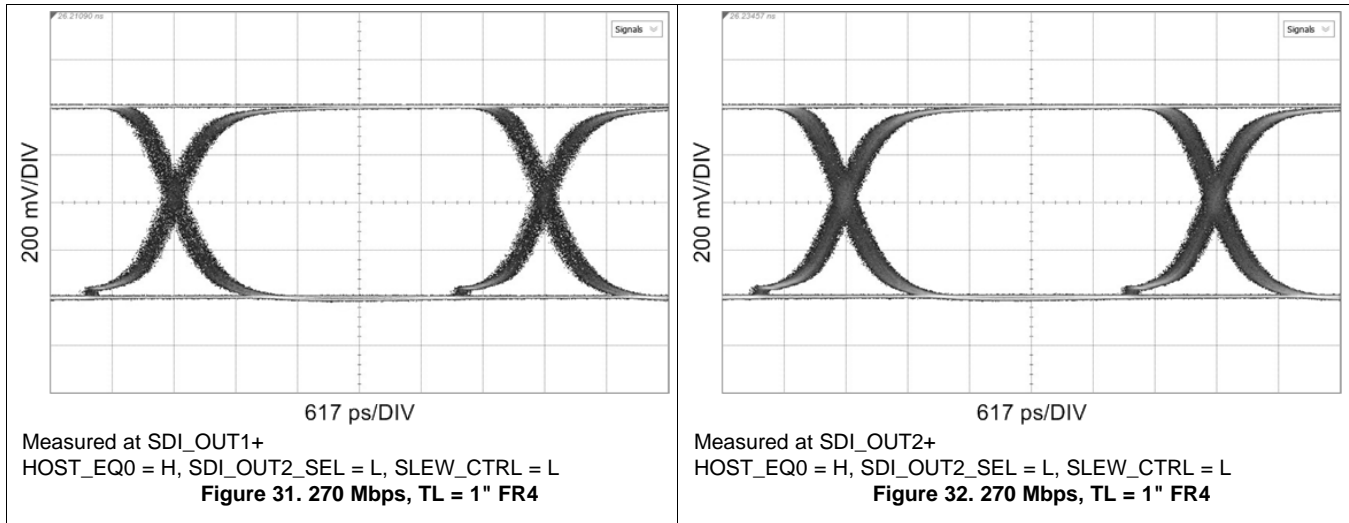
Measured at SDI\_OUT2+  
HOST\_EQ0 = H, SDI\_OUT2\_SEL = L, SLEW\_CTRL = F  
**Figure 28. 2.97 Gbps, TL = 1" FR4**



Measured at SDI\_OUT1+  
HOST\_EQ0 = H, SDI\_OUT2\_SEL = L, SLEW\_CTRL = F  
**Figure 29. 1.485 Gbps, TL = 1" FR4**



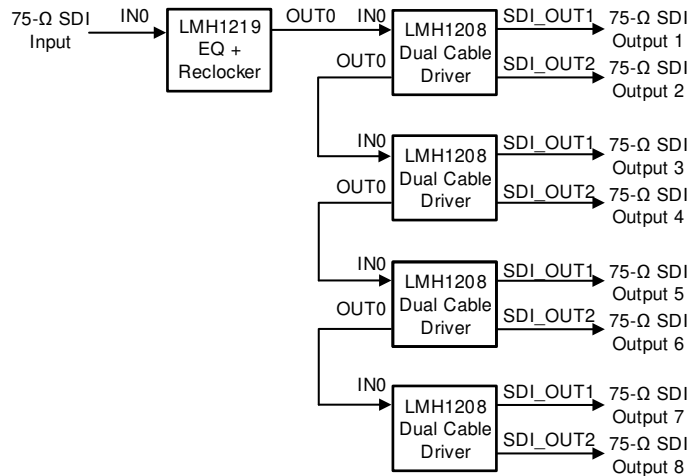
Measured at SDI\_OUT2+  
HOST\_EQ0 = H, SDI\_OUT2\_SEL = L, SLEW\_CTRL = F  
**Figure 30. 1.485 Gbps, TL = 1" FR4**



### 8.2.2 Distribution Amplifier

The LMH1208 can be configured as a distribution amplifier to distribute the same SDI input signal to multiple cable driver outputs. In this configuration, the LMH1208 uses the dual cable drivers at SDI\_OUT1 and SDI\_OUT2 to drive out the SDI signal seen at IN0. Meanwhile, the loop-back output on OUT0 is daisy-chained as a duplicate input to IN0 of the next LMH1208.

Figure 33 shows a typical application where four LMH1208s are used in combination with an LMH1219 Cable EQ with Integrated Reclocker to form a 1:8 distribution amplifier network.



Copyright © 2016, Texas Instruments Incorporated

Figure 33. LMH1208 Distribution Amplifier Application

#### 8.2.2.1 Design Requirements

See Table 10 in *Dual Cable Driver Design Requirements* for general LMH1208 design requirements.

For distribution amplifier application-specific requirements, reference the guidelines in Table 12.

Table 12. LMH1208 Distribution Amplifier Requirements

DESIGN PARAMETER	REQUIREMENTS
OUT0_SEL pin	1 kΩ to VSS (Level L) to enable OUT0 as a loop-back output to the next LMH1208 IN0 input
SDI_OUT2_SEL pin	1 kΩ to VSS (Level L) to enable SDI_OUT2 as secondary cable output

### 8.2.2.2 Detailed Design Procedure

See [Dual Cable Driver Detailed Design Procedure](#) and follow Steps 1 through 5. Refer to the additional steps below for distribution amplifier applications.

1. Configure OUT0\_SEL and SDI\_OUT2\_SEL pins according to the desired default use case.
2. Tune the output VOD and de-emphasis level for the 100-Ω driver prior to each LMH1208 IN0±. In the distribution amplifier example shown in [Figure 33](#), this step applies to the LMH1219 OUT0± driver and all LMH1208 OUT0± drivers that are daisy-chained to a subsequent LMH1208 IN0±. If OUT0± is located within 1-2 inches of IN0±, then use a lower VOD setting and no de-emphasis. If the OUT0± is located many inches away from IN0±, some VOD gain and de-emphasis may be required at OUT0± for the IN0 CTLE to equalize optimally. Use register control for more tuning options if necessary.
3. Tune the SDI\_VOD output amplitude control pin for optimal signal quality depending on the cable length attached at SDI\_OUT1+ and SDI\_OUT2+ for each LMH1208. Use register control for more tuning options, if necessary.

### 8.2.2.3 Application Curves

The LMH1208 performance on OUT0± was measured with the test setup shown in [Figure 21](#).

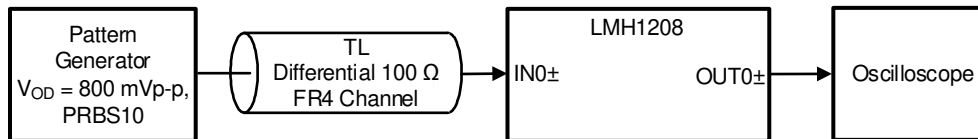
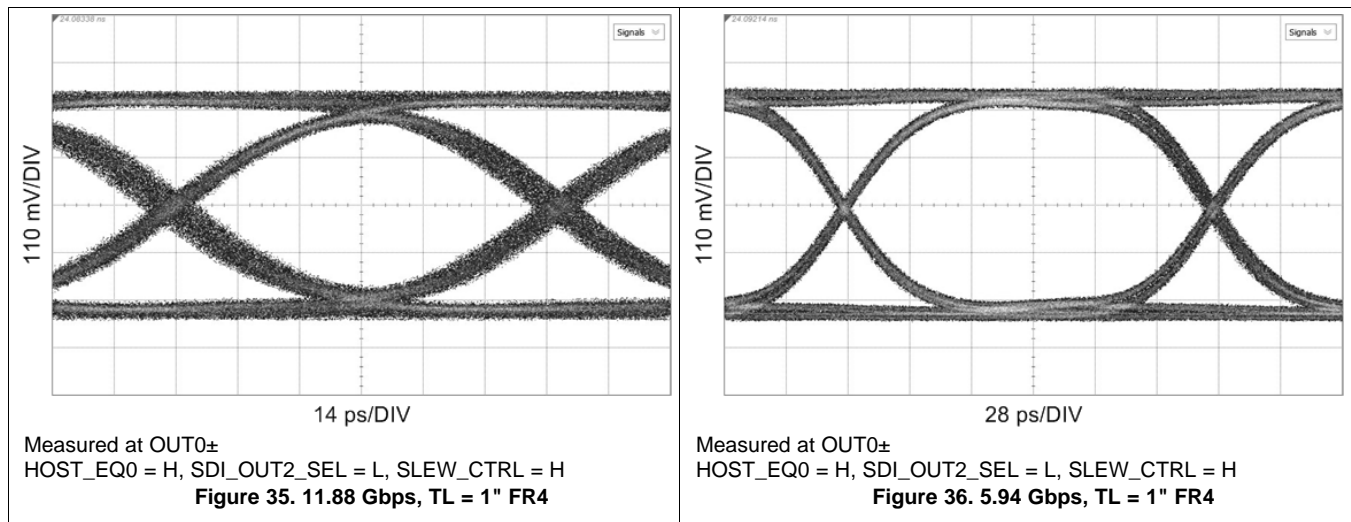
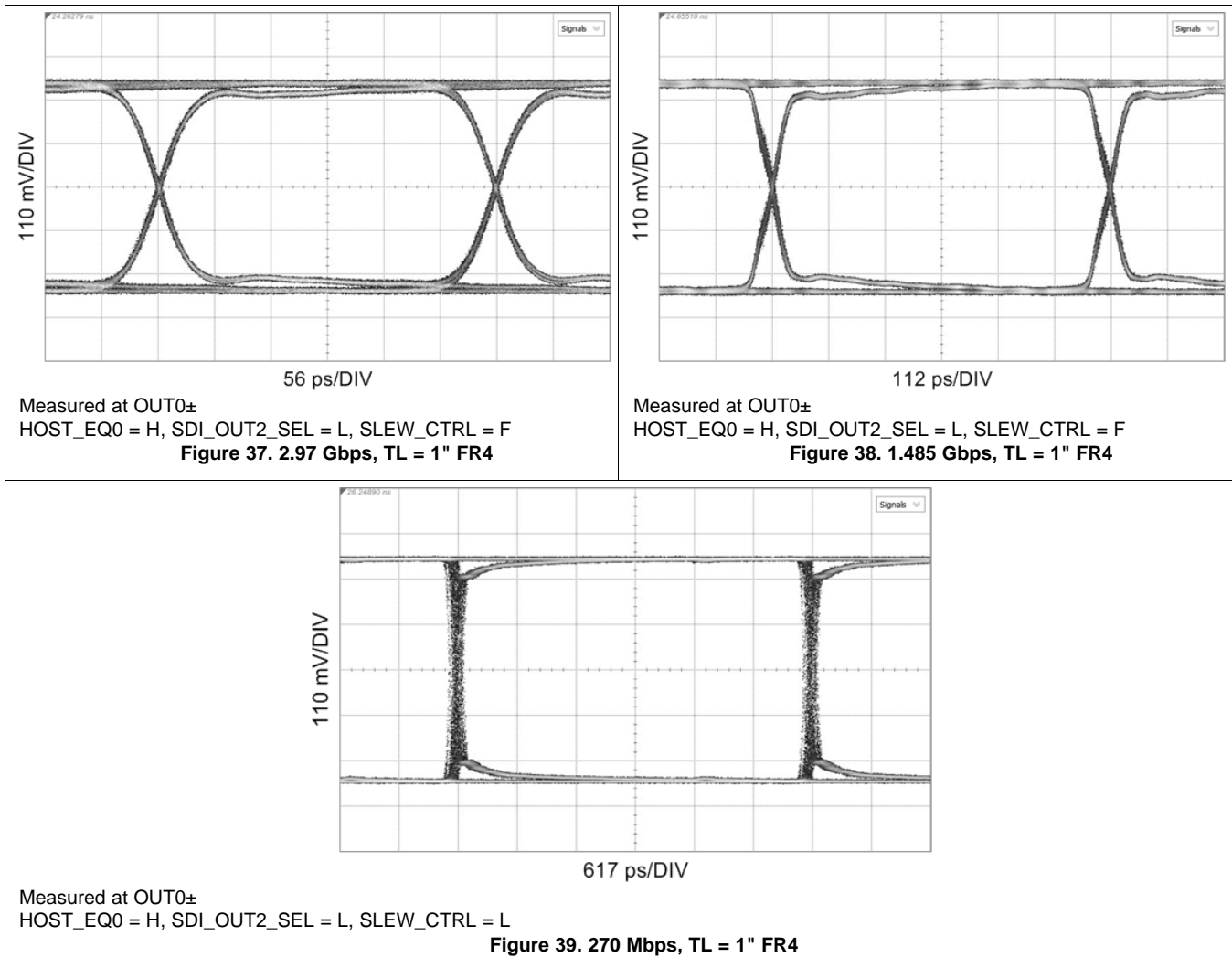


Figure 34. Test Setup for LMH1208 to OUT0±

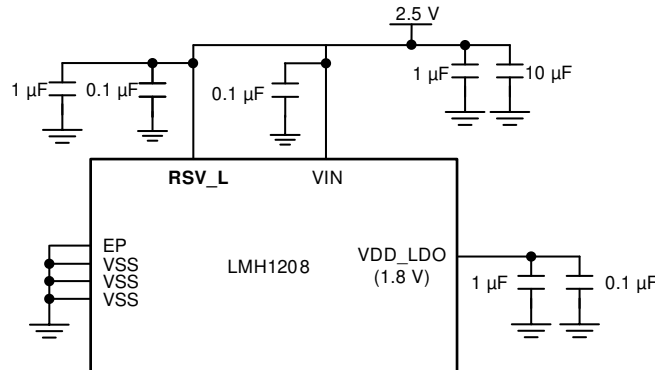
The eye diagrams in this subsection show how the LMH1208 improves overall signal integrity in the data path for 100-Ω differential FR4 PCB trace at IN0±.





## 9 Power Supply Recommendations

The LMH1208 requires decoupling capacitors to ensure a stable power supply. For power supply decoupling, 0.1- $\mu\text{F}$  surface-mount ceramic capacitors must be placed close to each RSV\_L, VDD\_LDO and VIN supply pin to VSS. Larger bulk capacitors (for example, 10  $\mu\text{F}$  and 1  $\mu\text{F}$ ) are recommended for RSV\_L and VIN.



Copyright © 2016, Texas Instruments Incorporated

**Figure 40. Recommended Power Supply Decoupling**

Good supply bypassing requires low inductance capacitors. This can be achieved through an array of multiple small body size surface-mount bypass capacitors to keep low supply impedance. Better results can be achieved through the use of a buried capacitor formed by a VDD and VSS plane separated by 2 to 4 mil dielectric in a printed-circuit board.



## 10 Layout

### 10.1 Layout Guidelines

The following guidelines are recommended to optimize the board layout for the LMH1208.

#### 10.1.1 Board Stack-Up and Ground References

- Choose a suitable board stack-up that supports 75- $\Omega$  single-ended trace and 100- $\Omega$  differential trace routing on the top layer of the board. This is typically done with a Layer-2 ground plane reference for the 100- $\Omega$  differential traces and a Layer-3 ground plane reference for the 75- $\Omega$  single-end traces.
- Maintain a distance of at least 5 times the trace width between signal trace and ground reference if they are on the same layer. This prevents unwanted changes in the characteristic impedance.
- Maintain a consistent ground plane reference for each high-speed trace from source to end-point. Ground reference discontinuities lead to characteristic impedance mismatch.

#### 10.1.2 High-Speed PCB Trace Routing and Coupling

Observe the following general high-speed recommendations for high-speed trace routing:

- For differential pairs, maintain a uniform width and gap for each differential pair where possible. When traces must diverge (for example, due to AC-coupling capacitors), ensure that the traces branch out or merge uniformly.
- To prevent reflections due to trace routing, ensure that trace bends are at most 45°. Right angle bends should be implemented with at least two 45° corners. Radial bends are ideal.
- Avoid using signal vias. If signal vias must be used, a return path (GND) via must be placed near the signal via to provide a consistent ground reference and minimize impedance discontinuities.
- Avoid via stubs by back-drilling as necessary.

#### SDI\_OUT1± and SDI\_OUT2±:

- Use an uncoupled trace with 75- $\Omega$  single-ended impedance for signal routing to SDI\_OUT1± and SDI\_OUT2±.
- The trace width is typically 8 to 10 mils with reference to a Layer-3 ground plane.

#### IN0± and OUT0±:

- Use coupled traces with 100- $\Omega$  differential impedance for signal routing to IN0± and OUT0±.
- The trace width is typically 5 to 8 mils with reference to a Layer-2 ground plane.

#### 10.1.3 Anti-Pads

- Place anti-pads (ground relief) on the power and ground planes directly under the 4.7- $\mu$ F, AC-coupling capacitor and IC landing pads to minimize parasitic capacitance. The size of the anti-pad and the number of layers to use the anti-pad depend on the board stack-up and can be determined by a 3-dimension electromagnetic simulation tool.

#### 10.1.4 BNC Connector Layout and Routing

- Use a well-designed BNC footprint to ensure the BNC's signal landing pad achieves 75- $\Omega$  characteristic impedance. BNC suppliers usually provide recommendations on BNC footprint for best results.
- Keep trace length short between the BNC and SDI\_OUT1±. The trace routing for SDI\_OUT1+ and SDI\_OUT1– should be as symmetrical as possible, with approximately equal lengths and equal loading. The same is true for SDI\_OUT2+ and SDI\_OUT2–.

#### 10.1.5 Power Supply and Ground Connections

- Connect each supply pin (RSV\_L, VIN, VDD\_LDO) directly to the power or ground planes with a short via. The via is usually placed tangent to the supply pins' landing pads with the shortest trace possible.
- Power supply decoupling capacitors should be a small physical size (0402 or smaller) and placed close to the supply pins to minimize inductance. The capacitors are commonly placed on the bottom layer and share the ground of the EP (Exposed Pad).

## Layout Guidelines (continued)

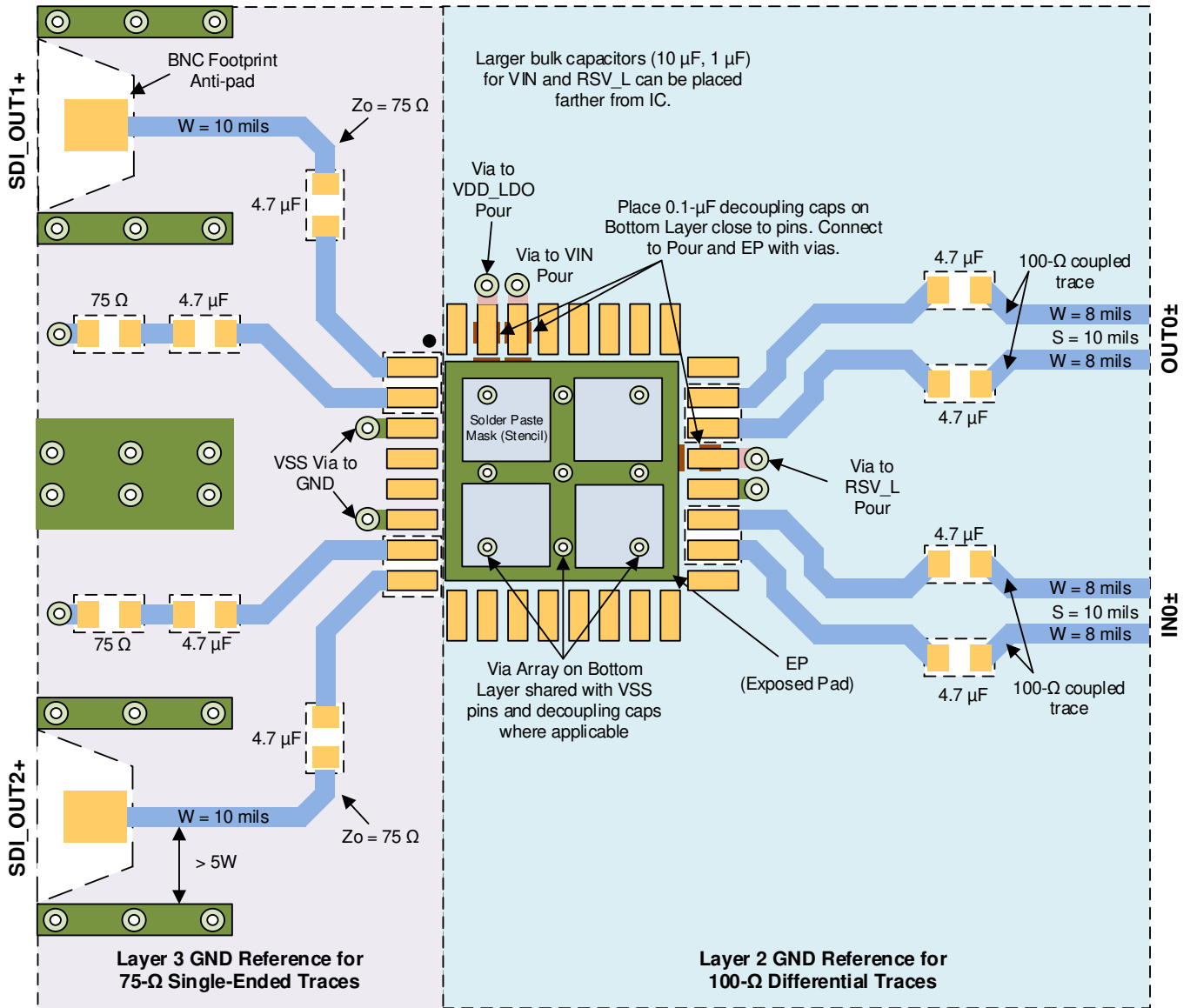
### 10.1.6 Footprint Recommendations

- Stencil parameters for the EP (Exposed Pad) such as aperture area ratio and the fabrication process have a significant impact on paste deposition. Inspection of the stencil prior to placement of the WQFN package is highly recommended to improve board assembly yields. If the via and aperture openings are not carefully monitored, the solder may flow unevenly through the EP. Stencil parameters for aperture opening and via locations are shown in the RTV package drawing in [Mechanical, Packaging, and Orderable Information](#).
- The EP of the package must be connected to the ground plane through a 3 × 3 via array. These vias are solder-masked to avoid solder flowing into the plated-through holes during the board manufacturing process. Details about via dimensions are also shown in the RTV package drawing in [Mechanical, Packaging, and Orderable Information](#).

More information on the WQFN style package is provided in [QFN/SON PCB Attachment Application Report \(SLUA271\)](#).

## 10.2 Layout Example

The example shown in [Figure 41](#) demonstrates the LMH1208 layout guidelines highlighted in [Layout Guidelines](#).



Note: All high speed signal traces are assumed to be on Layer 1 (Top Layer).

Figure 41. LMH1208 High-Speed Trace Layout Example

## 11 Device and Documentation Support

### 11.1 Documentation Support

#### 11.1.1 Related Documentation

For related documentation, see the following:

[QFN/SON PCB Attachment Application Report \(SLUA271\)](#)

### 11.2 Receiving Notification of Documentation Updates

To receive notification of documentation updates, navigate to the device product folder on ti.com. In the upper right corner, click on *Alert me* to register and receive a weekly digest of any product information that has changed. For change details, review the revision history included in any revised document.

### 11.3 Community Resources

[TI E2E™ support forums](#) are an engineer's go-to source for fast, verified answers and design help — straight from the experts. Search existing answers or ask your own question to get the quick design help you need.

Linked content is provided "AS IS" by the respective contributors. They do not constitute TI specifications and do not necessarily reflect TI's views; see TI's [Terms of Use](#).

### 11.4 Trademarks

E2E is a trademark of Texas Instruments.  
All other trademarks are the property of their respective owners.

### 11.5 Electrostatic Discharge Caution



This integrated circuit can be damaged by ESD. Texas Instruments recommends that all integrated circuits be handled with appropriate precautions. Failure to observe proper handling and installation procedures can cause damage.

ESD damage can range from subtle performance degradation to complete device failure. Precision integrated circuits may be more susceptible to damage because very small parametric changes could cause the device not to meet its published specifications.

### 11.6 Export Control Notice

Recipient agrees to not knowingly export or re-export, directly or indirectly, any product or technical data (as defined by the U.S., EU, and other Export Administration Regulations) including software, or any controlled product restricted by other applicable national regulations, received from Disclosing party under this Agreement, or any direct product of such technology, to any destination to which such export or re-export is restricted or prohibited by U.S. or other applicable laws, without obtaining prior authorization from U.S. Department of Commerce and other competent Government authorities to the extent required by those laws.

### 11.7 Glossary

[SLYZ022](#) — *TI Glossary*.

This glossary lists and explains terms, acronyms, and definitions.

## 12 Mechanical, Packaging, and Orderable Information

The following pages include mechanical, packaging, and orderable information. This information is the most current data available for the designated devices. This data is subject to change without notice and revision of this document. For browser-based versions of this data sheet, refer to the left-hand navigation.

## 12.1 Package Option Addendum

### 12.1.1 Packaging Information

Orderable Device	Status <sup>(1)</sup>	Package Type	Package Drawing	Pins	Package Qty	Eco Plan <sup>(2)</sup>	Lead/Ball Finish <sup>(3)</sup>	MSL Peak Temp <sup>(4)</sup>	Op Temp (°C)	Device Marking <sup>(5)(6)</sup>
LMH1208RTVR	ACTIVE	WQFN	RTV	32	1000	Green (RoHS & no Sb/Br)	CU NIPDAU	Level-3-260C-168 HR	-40 to 85	L1208
LMH1208RTVT	ACTIVE	WQFN	RTV	32	250	Green (RoHS & no Sb/Br)	CU NIPDAU	Level-3-260C-168 HR	-40 to 85	L1208

- (1) The marketing status values are defined as follows:  
**ACTIVE:** Product device recommended for new designs.  
**LIFEBUY:** TI has announced that the device will be discontinued, and a lifetime-buy period is in effect.  
**NRND:** Not recommended for new designs. Device is in production to support existing customers, but TI does not recommend using this part in a new design.  
**PRE\_PROD** Unannounced device, not in production, not available for mass market, nor on the web, samples not available.  
**PREVIEW:** Device has been announced but is not in production. Samples may or may not be available.  
**OBSOLETE:** TI has discontinued the production of the device.
- (2) Eco Plan - The planned eco-friendly classification: Pb-Free (RoHS), Pb-Free (RoHS Exempt), or Green (RoHS & no Sb/Br) - please check <http://www.ti.com/productcontent> for the latest availability information and additional product content details.  
**TBD:** The Pb-Free/Green conversion plan has not been defined.  
**Pb-Free (RoHS):** TI's terms "Lead-Free" or "Pb-Free" mean semiconductor products that are compatible with the current RoHS requirements for all 6 substances, including the requirement that lead not exceed 0.1% by weight in homogeneous materials. Where designed to be soldered at high temperatures, TI Pb-Free products are suitable for use in specified lead-free processes.  
**Pb-Free (RoHS Exempt):** This component has a RoHS exemption for either 1) lead-based flip-chip solder bumps used between the die and package, or 2) lead-based die adhesive used between the die and leadframe. The component is otherwise considered Pb-Free (RoHS compatible) as defined above.  
**Green (RoHS & no Sb/Br):** TI defines "Green" to mean Pb-Free (RoHS compatible), and free of Bromine (Br) and Antimony (Sb) based flame retardants (Br or Sb do not exceed 0.1% by weight in homogeneous material)
- (3) Lead/Ball Finish - Orderable Devices may have multiple material finish options. Finish options are separated by a vertical ruled line. Lead/Ball Finish values may wrap to two lines if the finish value exceeds the maximum column width.
- (4) MSL, Peak Temp. -- The Moisture Sensitivity Level rating according to the JEDEC industry standard classifications, and peak solder temperature.
- (5) There may be additional marking, which relates to the logo, the lot trace code information, or the environmental category on the device
- (6) Multiple Device markings will be inside parentheses. Only on Device Marking contained in parentheses and separated by a "-" will appear on a device. If a line is indented then it is a continuation of the previous line and the two combined represent the entire Device Marking for that device.

**Important Information and Disclaimer:** The information provided on this page represents TI's knowledge and belief as of the date that it is provided. TI bases its knowledge and belief on information provided by third parties, and makes no representation or warranty as to the accuracy of such information. Efforts are underway to better integrate information from third parties. TI has taken and continues to take reasonable steps to provide representative and accurate information but may not have conducted destructive testing or chemical analysis on incoming materials and chemicals. TI and TI suppliers consider certain information to be proprietary, and thus CAS numbers and other limited information may not be available for release.

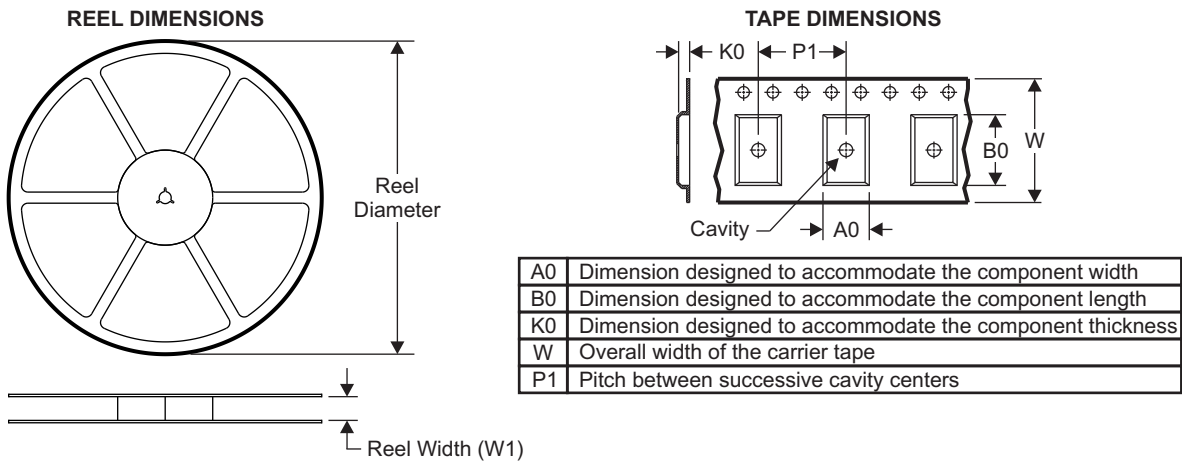
In no event shall TI's liability arising out of such information exceed the total purchase price of the TI part(s) at issue in this document sold by TI to Customer on an annual basis.

# LMH1208

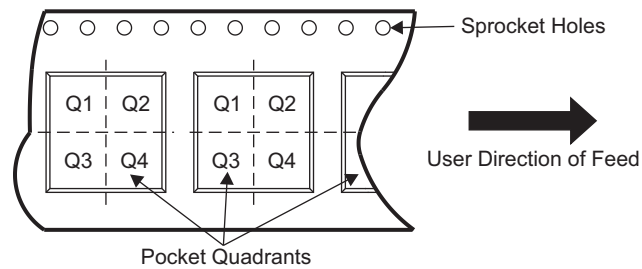
SNLS569C – MARCH 2017 – REVISED MAY 2020

www.ti.com

## 12.1.2 Tape and Reel Information

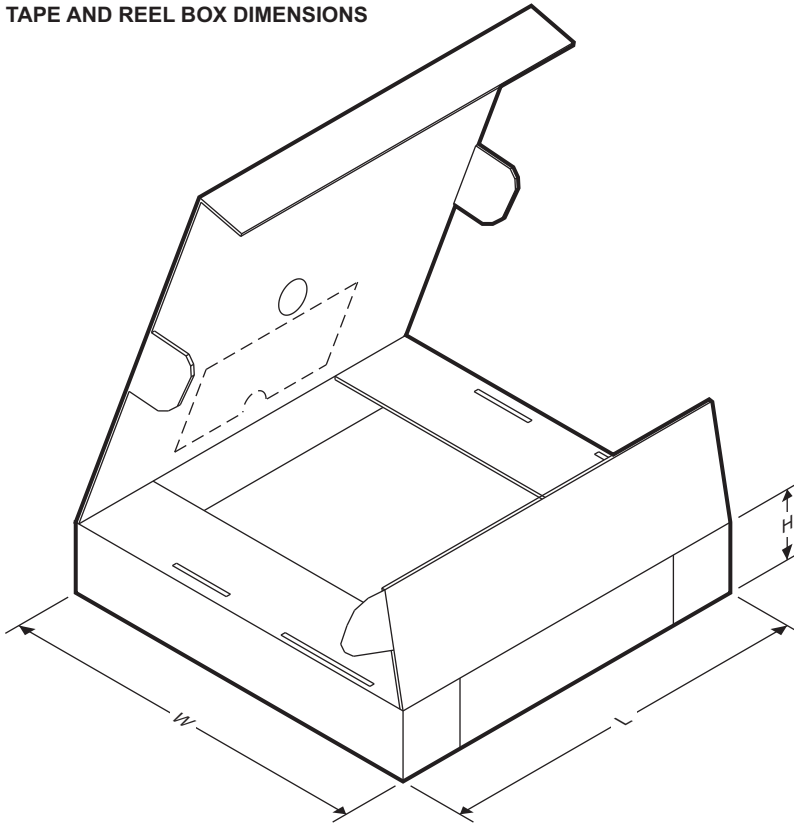


### QUADRANT ASSIGNMENTS FOR PIN 1 ORIENTATION IN TAPE



Device	Package Type	Package Drawing	Pins	SPQ	Reel Diameter (mm)	Reel Width W1 (mm)	A0 (mm)	B0 (mm)	K0 (mm)	P1 (mm)	W (mm)	Pin1 Quadrant
LMH1208RTVR	WQFN	RTV	32	1000	178.0	12.4	5.3	5.3	1.1	8.0	12.0	Q2
LMH1208RTVT	WQFN	RTV	32	250	178.0	12.4	5.3	5.3	1.1	8.0	12.0	Q2

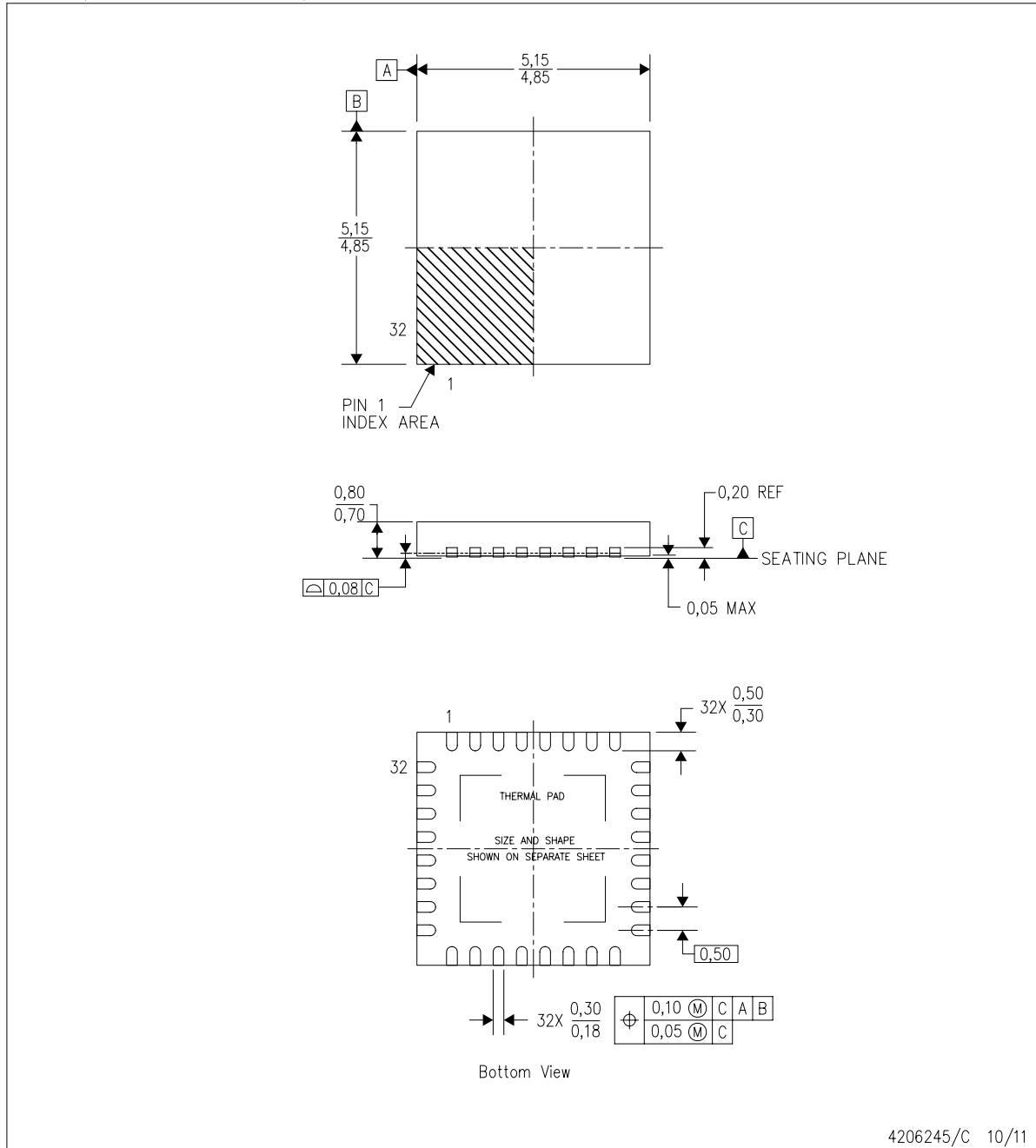
TAPE AND REEL BOX DIMENSIONS



Device	Package Type	Package Drawing	Pins	SPQ	Length (mm)	Width (mm)	Height (mm)
LMH1208RTVR	WQFN	RTV	32	1000	210.0	185.0	35.0
LMH1208RTVT	WQFN	RTV	32	250	210.0	185.0	35.0

**MECHANICAL DATA**

RTV (S-PWQFN-N32) PLASTIC QUAD FLATPACK NO-LEAD



- NOTES:
- A. All linear dimensions are in millimeters. Dimensioning and tolerancing per ASME Y14.5–1994.
  - B. This drawing is subject to change without notice.
  - C. Quad Flatpack, No-Leads (QFN) package configuration.
  - D. The package thermal pad must be soldered to the board for thermal and mechanical performance.
  - E. See the additional figure in the Product Data Sheet for details regarding the exposed thermal pad features and dimensions.
  - F. Falls within JEDEC MO-220.



**THERMAL PAD MECHANICAL DATA**

RTV (S–PWQFN–N32)

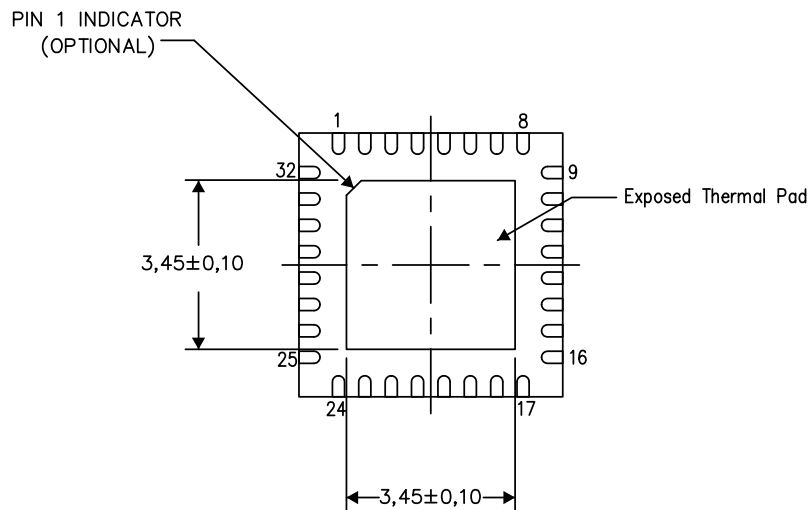
PLASTIC QUAD FLATPACK NO–LEAD

**THERMAL INFORMATION**

This package incorporates an exposed thermal pad that is designed to be attached directly to an external heatsink. The thermal pad must be soldered directly to the printed circuit board (PCB). After soldering, the PCB can be used as a heatsink. In addition, through the use of thermal vias, the thermal pad can be attached directly to the appropriate copper plane shown in the electrical schematic for the device, or alternatively, can be attached to a special heatsink structure designed into the PCB. This design optimizes the heat transfer from the integrated circuit (IC).

For information on the Quad Flatpack No–Lead (QFN) package and its advantages, refer to Application Report, QFN/SON PCB Attachment, Texas Instruments Literature No. SLUA271. This document is available at [www.ti.com](http://www.ti.com).

The exposed thermal pad dimensions for this package are shown in the following illustration.



Bottom View

Exposed Thermal Pad Dimensions

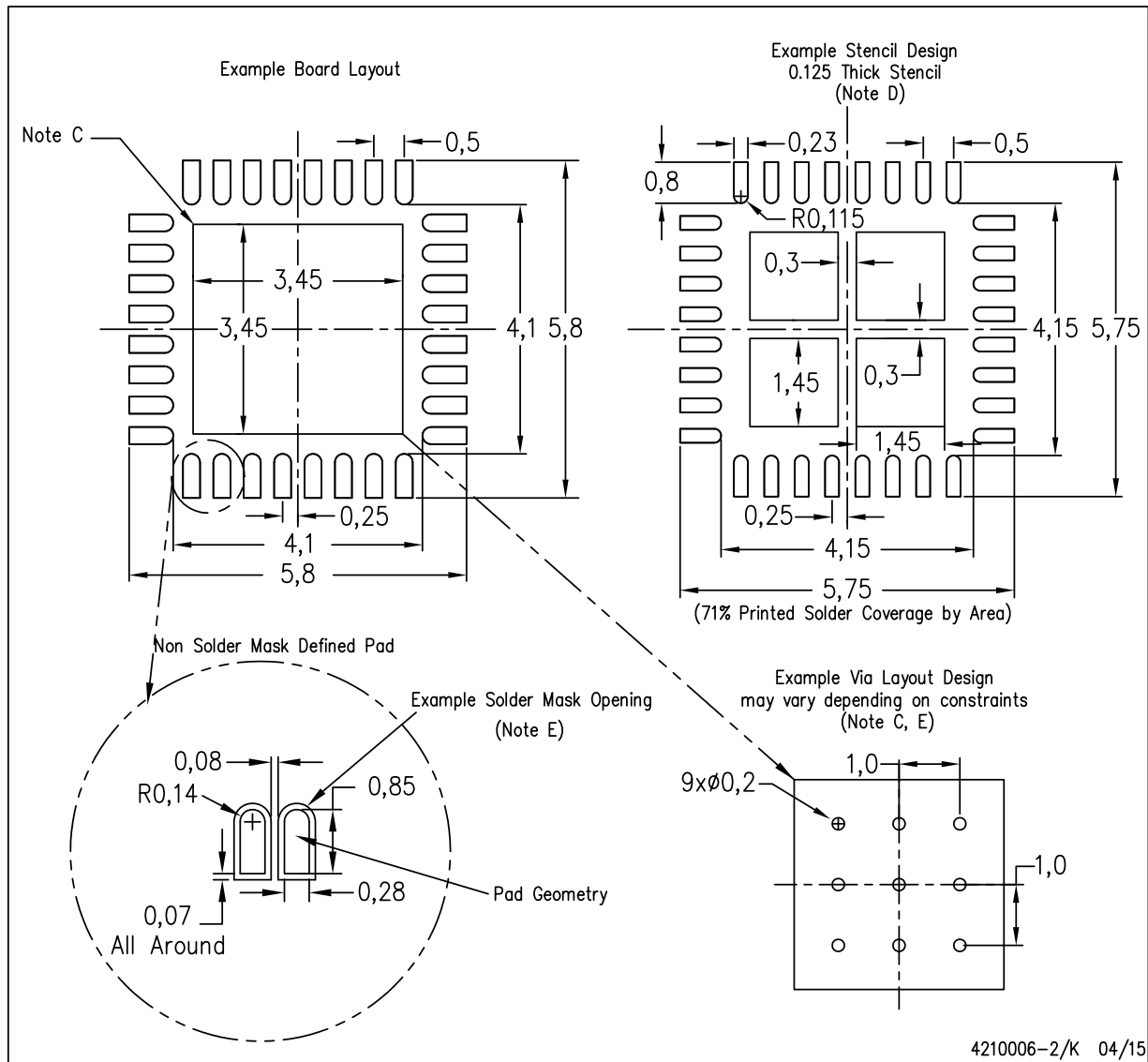
4206250–2/Q 05/15

NOTE: All linear dimensions are in millimeters

**LAND PATTERN DATA**

RTV (S–PWQFN–N32)

PLASTIC QUAD FLATPACK NO–LEAD



- NOTES:
- All linear dimensions are in millimeters.
  - This drawing is subject to change without notice.
  - This package is designed to be soldered to a thermal pad on the board. Refer to Application Note, Quad Flat–Pack Packages, Texas Instruments Literature No. SCBA017, SLUA271, and also the Product Data Sheets for specific thermal information, via requirements, and recommended board layout. These documents are available at [www.ti.com](http://www.ti.com) <<http://www.ti.com>>.
  - Laser cutting apertures with trapezoidal walls and also rounding corners will offer better paste release. Customers should contact their board assembly site for stencil design recommendations. Refer to IPC 7525 for stencil design considerations.
  - Customers should contact their board fabrication site for recommended solder mask tolerances and via tenting recommendations for vias placed in the thermal pad.

**PACKAGING INFORMATION**

Orderable Device	Status (1)	Package Type	Package Drawing	Pins	Package Qty	Eco Plan (2)	Lead/Ball Finish (6)	MSL Peak Temp (3)	Op Temp (°C)	Device Marking (4/5)	Samples
LMH1208RTVR	ACTIVE	WQFN	RTV	32	1000	Green (RoHS & no Sb/Br)	NIPDAU	Level-3-260C-168 HR	-40 to 85	L1208	<a href="#">Samples</a>
LMH1208RTVT	ACTIVE	WQFN	RTV	32	250	Green (RoHS & no Sb/Br)	NIPDAU	Level-3-260C-168 HR	-40 to 85	L1208	<a href="#">Samples</a>

(1) The marketing status values are defined as follows:

**ACTIVE:** Product device recommended for new designs.

**LIFEBUY:** TI has announced that the device will be discontinued, and a lifetime-buy period is in effect.

**NRND:** Not recommended for new designs. Device is in production to support existing customers, but TI does not recommend using this part in a new design.

**PREVIEW:** Device has been announced but is not in production. Samples may or may not be available.

**OBSOLETE:** TI has discontinued the production of the device.

(2) **RoHS:** TI defines "RoHS" to mean semiconductor products that are compliant with the current EU RoHS requirements for all 10 RoHS substances, including the requirement that RoHS substance do not exceed 0.1% by weight in homogeneous materials. Where designed to be soldered at high temperatures, "RoHS" products are suitable for use in specified lead-free processes. TI may reference these types of products as "Pb-Free".

**RoHS Exempt:** TI defines "RoHS Exempt" to mean products that contain lead but are compliant with EU RoHS pursuant to a specific EU RoHS exemption.

**Green:** TI defines "Green" to mean the content of Chlorine (Cl) and Bromine (Br) based flame retardants meet JS709B low halogen requirements of <=1000ppm threshold. Antimony trioxide based flame retardants must also meet the <=1000ppm threshold requirement.

(3) MSL, Peak Temp. - The Moisture Sensitivity Level rating according to the JEDEC industry standard classifications, and peak solder temperature.

(4) There may be additional marking, which relates to the logo, the lot trace code information, or the environmental category on the device.

(5) Multiple Device Markings will be inside parentheses. Only one Device Marking contained in parentheses and separated by a "~" will appear on a device. If a line is indented then it is a continuation of the previous line and the two combined represent the entire Device Marking for that device.

(6) Lead/Ball Finish - Orderable Devices may have multiple material finish options. Finish options are separated by a vertical ruled line. Lead/Ball Finish values may wrap to two lines if the finish value exceeds the maximum column width.

**Important Information and Disclaimer:**The information provided on this page represents TI's knowledge and belief as of the date that it is provided. TI bases its knowledge and belief on information provided by third parties, and makes no representation or warranty as to the accuracy of such information. Efforts are underway to better integrate information from third parties. TI has taken and continues to take reasonable steps to provide representative and accurate information but may not have conducted destructive testing or chemical analysis on incoming materials and chemicals. TI and TI suppliers consider certain information to be proprietary, and thus CAS numbers and other limited information may not be available for release.

In no event shall TI's liability arising out of such information exceed the total purchase price of the TI part(s) at issue in this document sold by TI to Customer on an annual basis.



## TAPE AND REEL INFORMATION



### QUADRANT ASSIGNMENTS FOR PIN 1 ORIENTATION IN TAPE



\*All dimensions are nominal

Device	Package Type	Package Drawing	Pins	SPQ	Reel Diameter (mm)	Reel Width W1 (mm)	A0 (mm)	B0 (mm)	K0 (mm)	P1 (mm)	W (mm)	Pin1 Quadrant
LMH1208RTVR	WQFN	RTV	32	1000	180.0	12.4	5.3	5.3	1.1	8.0	12.0	Q2
LMH1208RTVT	WQFN	RTV	32	250	180.0	12.4	5.3	5.3	1.1	8.0	12.0	Q2

**TAPE AND REEL BOX DIMENSIONS**


\*All dimensions are nominal

Device	Package Type	Package Drawing	Pins	SPQ	Length (mm)	Width (mm)	Height (mm)
LMH1208RTVR	WQFN	RTV	32	1000	210.0	185.0	35.0
LMH1208RTVT	WQFN	RTV	32	250	210.0	185.0	35.0

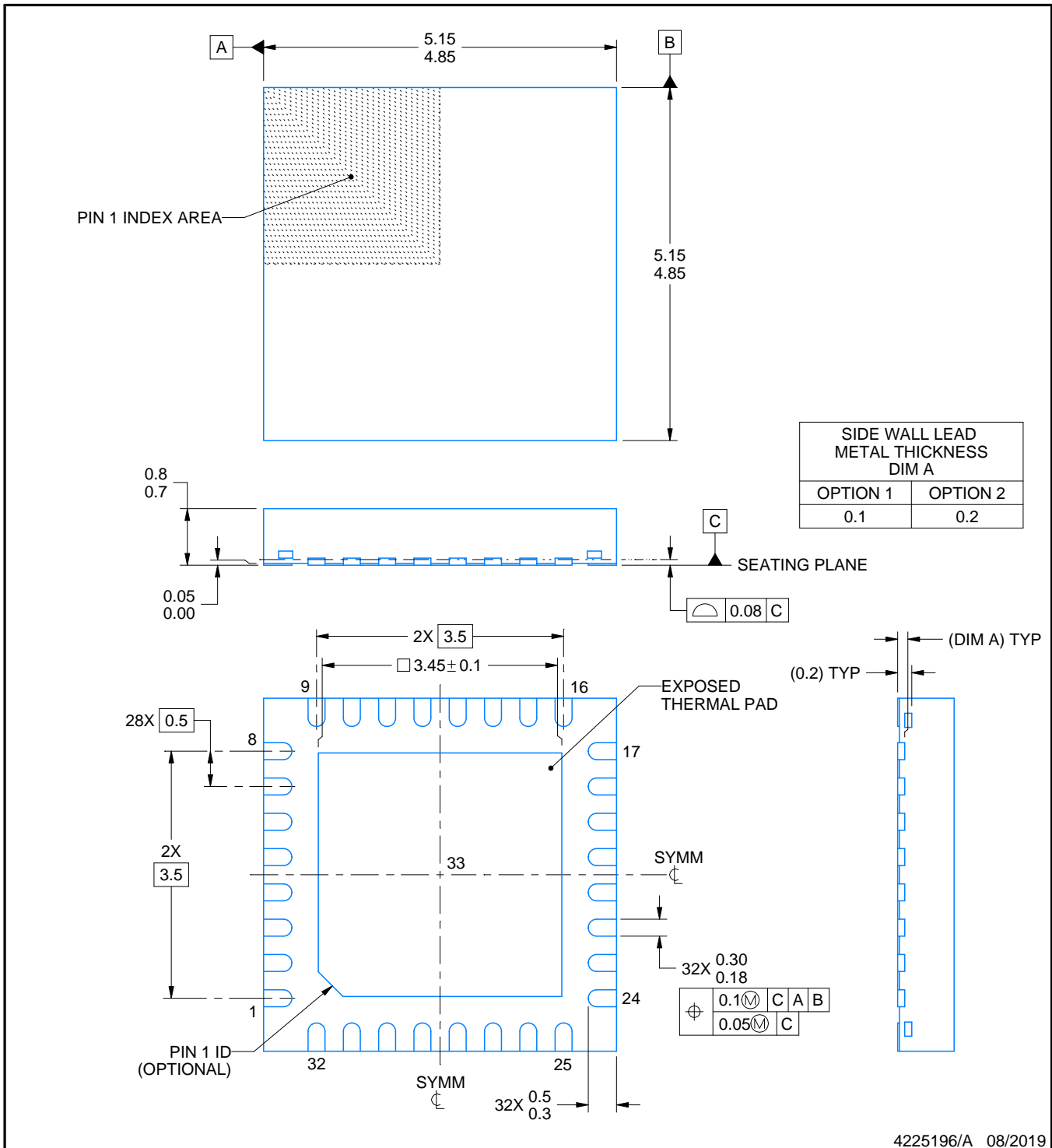
# RTV0032E



## PACKAGE OUTLINE

WQFN - 0.8 mm max height

PLASTIC QUAD FLATPACK - NO LEAD



4225196/A 08/2019

### NOTES:

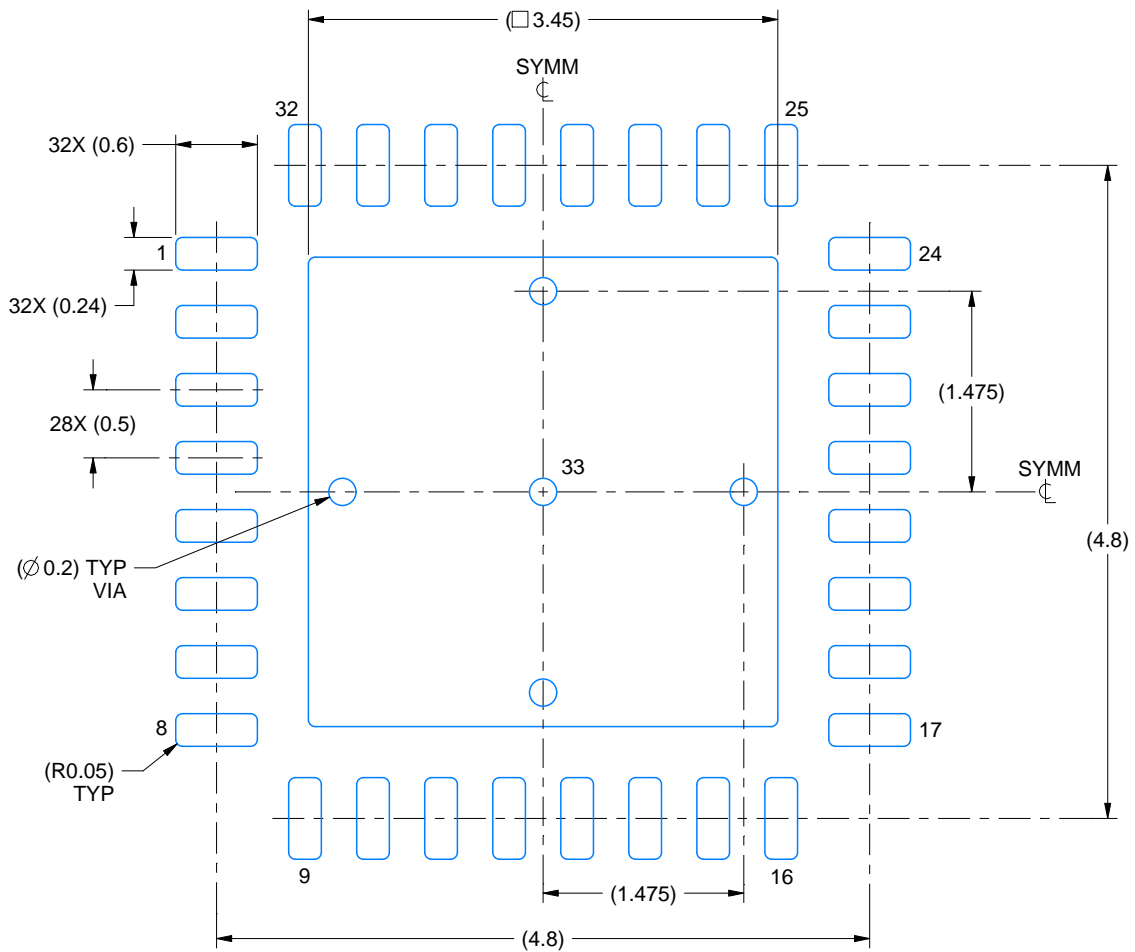
1. All linear dimensions are in millimeters. Any dimensions in parenthesis are for reference only. Dimensioning and tolerancing per ASME Y14.5M.
2. This drawing is subject to change without notice.
3. The package thermal pad must be soldered to the printed circuit board for thermal and mechanical performance.

# EXAMPLE BOARD LAYOUT

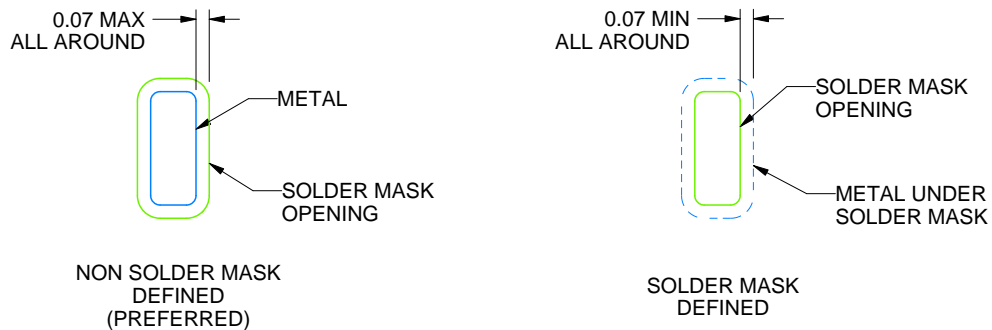
RTV0032E

WQFN - 0.8 mm max height

PLASTIC QUAD FLATPACK - NO LEAD



LAND PATTERN EXAMPLE  
SCALE:18X



SOLDER MASK DETAILS

4225196/A 08/2019

NOTES: (continued)

4. This package is designed to be soldered to a thermal pad on the board. For more information, see Texas Instruments literature number SLUA271 ([www.ti.com/lit/sluea271](http://www.ti.com/lit/sluea271)).
5. Vias are optional depending on application, refer to device data sheet. If any vias are implemented, refer to their locations shown on this view. It is recommended that vias under paste be filled, plugged or tented.

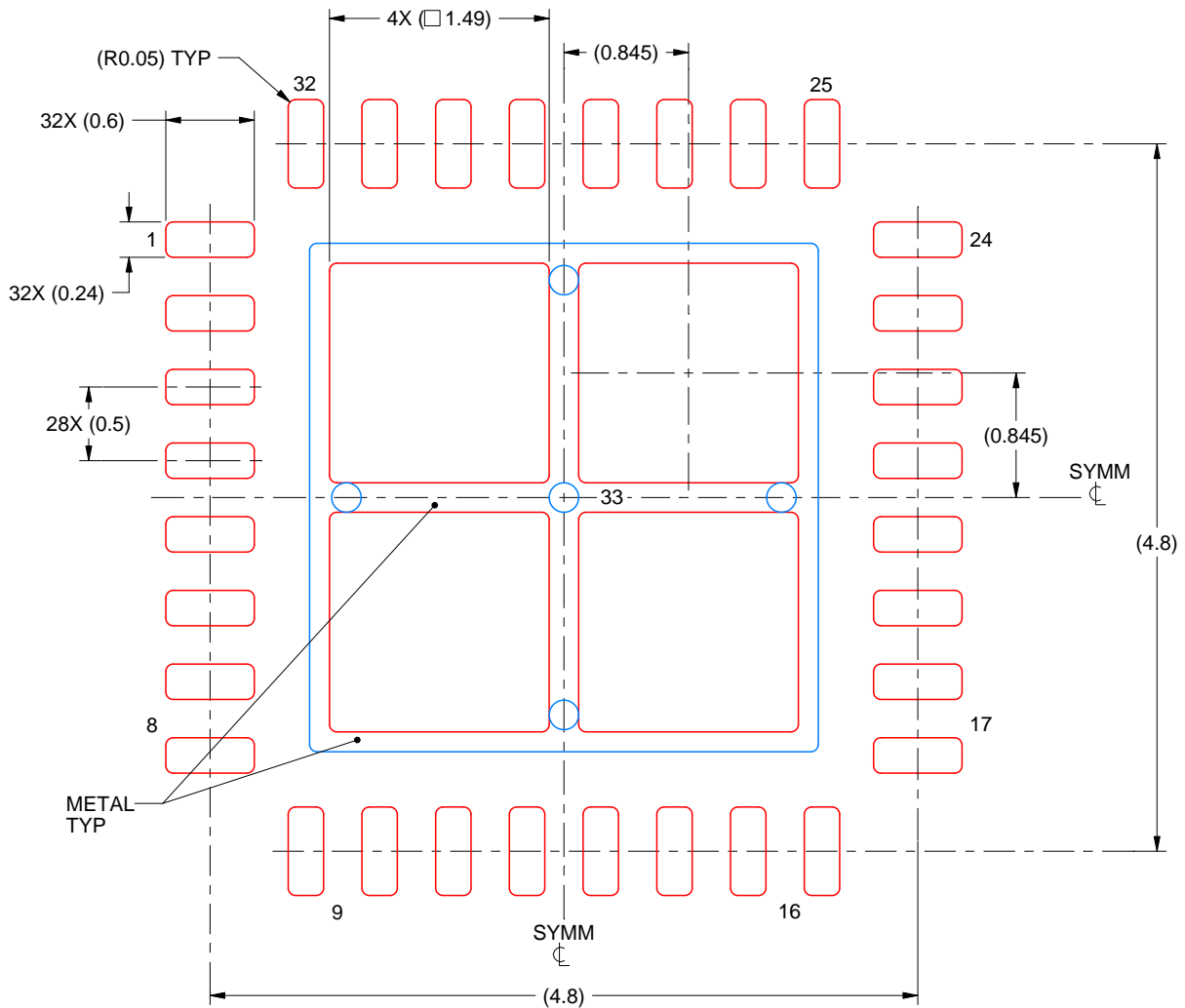


# EXAMPLE STENCIL DESIGN

RTV0032E

WQFN - 0.8 mm max height

PLASTIC QUAD FLATPACK - NO LEAD



**SOLDER PASTE EXAMPLE**  
BASED ON 0.125 mm THICK STENCIL

EXPOSED PAD 33:  
75% PRINTED SOLDER COVERAGE BY AREA UNDER PACKAGE  
SCALE:20X

4225196/A 08/2019

NOTES: (continued)

6. Laser cutting apertures with trapezoidal walls and rounded corners may offer better paste release. IPC-7525 may have alternate design recommendations.

## IMPORTANT NOTICE AND DISCLAIMER

TI PROVIDES TECHNICAL AND RELIABILITY DATA (INCLUDING DATASHEETS), DESIGN RESOURCES (INCLUDING REFERENCE DESIGNS), APPLICATION OR OTHER DESIGN ADVICE, WEB TOOLS, SAFETY INFORMATION, AND OTHER RESOURCES "AS IS" AND WITH ALL FAULTS, AND DISCLAIMS ALL WARRANTIES, EXPRESS AND IMPLIED, INCLUDING WITHOUT LIMITATION ANY IMPLIED WARRANTIES OF MERCHANTABILITY, FITNESS FOR A PARTICULAR PURPOSE OR NON-INFRINGEMENT OF THIRD PARTY INTELLECTUAL PROPERTY RIGHTS.

These resources are intended for skilled developers designing with TI products. You are solely responsible for (1) selecting the appropriate TI products for your application, (2) designing, validating and testing your application, and (3) ensuring your application meets applicable standards, and any other safety, security, or other requirements. These resources are subject to change without notice. TI grants you permission to use these resources only for development of an application that uses the TI products described in the resource. Other reproduction and display of these resources is prohibited. No license is granted to any other TI intellectual property right or to any third party intellectual property right. TI disclaims responsibility for, and you will fully indemnify TI and its representatives against, any claims, damages, costs, losses, and liabilities arising out of your use of these resources.

TI's products are provided subject to TI's Terms of Sale ([www.ti.com/legal/termsofsale.html](http://www.ti.com/legal/termsofsale.html)) or other applicable terms available either on [ti.com](http://ti.com) or provided in conjunction with such TI products. TI's provision of these resources does not expand or otherwise alter TI's applicable warranties or warranty disclaimers for TI products.

Mailing Address: Texas Instruments, Post Office Box 655303, Dallas, Texas 75265  
Copyright © 2020, Texas Instruments Incorporated