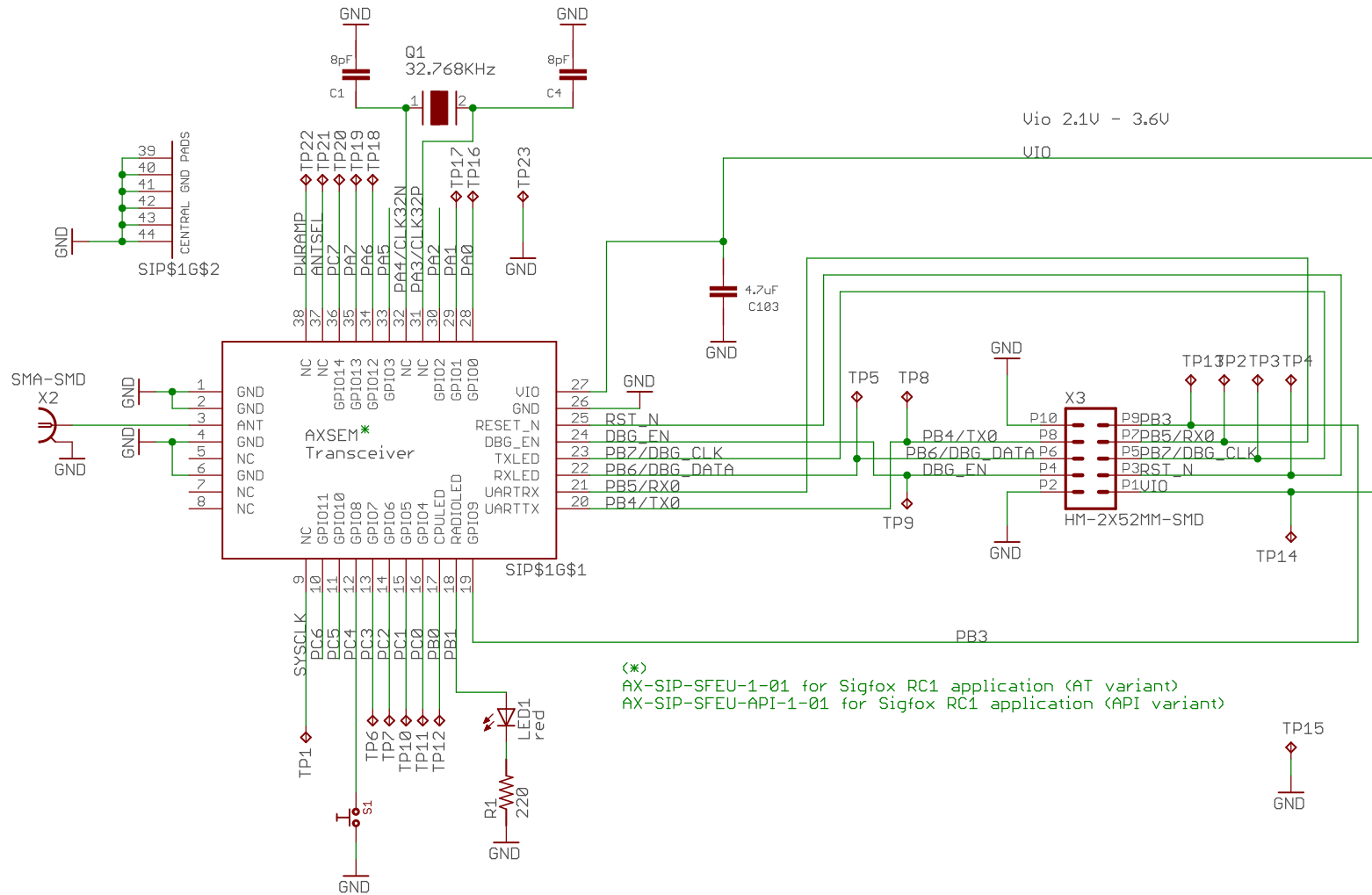


C1, C4 and Q1 are just left as footprints,
for future potential use.
No components soldered.



(*)
AX-SIP-SFEU-1-01 for Sigfox RC1 application (AT variant)
AX-SIP-SFEU-API-1-01 for Sigfox RC1 application (API variant)

ON SEMICONDUCTOR

TITLE: SIP-MINI-KIT-SMA_v2-0b

REV: 2.0b

Date: 13/3/2018 2:26 PM

Sheet: 1/1