

IS31AP4088A CLASS-AB AUDIO AMPLIFIER

DESCRIPTION

The IS31AP4088A demo board is a fully assembled and tested PCB that uses the IS31AP4088A Class-AB combines dual bridge speaker amplifiers and stereo headphone amplifiers on one chip. Designed to drive speaker impedance of 4Ω or larger. The demo board provides dual BTL output, capable of delivering 2.84W into a 4Ω speaker at 5V.

FEATURES

- Supply voltage range from 2.7V to 5.5V
- Delivers 2.84W into a 4Ω speaker at 5V supply (THD+N=10%).
- Delivers 1.71W into an 8Ω speaker at 5V supply (THD+N=10%)
- Available in QFN-16 (4mm × 4mm) package

QUICK START

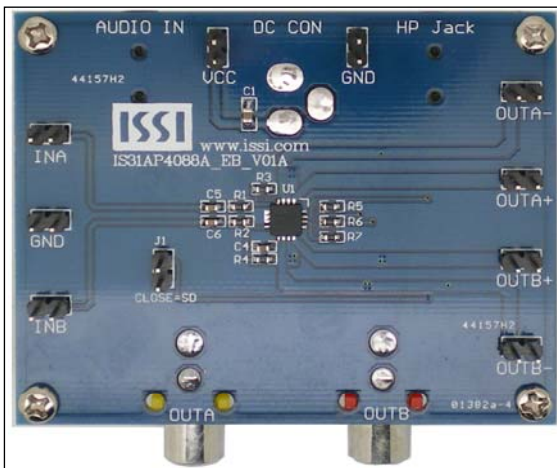


Figure 1: Photo of IS31AP4088A Evaluation Board

RECOMMENDED EQUIPMENT

- 5.0V, 2A power supply
- Audio source (i.e. MP3 player, Notebook PC, etc.)
- A pair of 8Ω or 4Ω speaker

ABSOLUTE MAXIMUM RATINGS

- ≤ 5.5V power supply
- ≥ 4ohm speaker

Caution: Do not exceed the conditions listed above, otherwise the board will be damaged.

PROCEDURE

The IS31AP4088A demo board is fully assembled and tested. Follow the steps listed below to verify board operation.

Caution: Do not turn on the power supply until all connections are completed.

- 1) Connect 4Ω (or larger) speakers across the (OUTA+, OUTA-) terminal and (OUTB+, OUTB-) terminal. Or connect speakers to the connector (OUTA, OUTB).
- 2) Connect the ground terminal of the power supply to the GND and the positive terminal to the VCC. Or connect DC power to connector (DC CON).
- 3) Connect the audio sources to the INA terminal (left channel) and INB terminal (right channel); or connect audio sources to the connector (AUDIO IN).
- 4) Turn on the power supply.
- 5) Turn on the audio sources.

ORDERING INFORMATION

Part No.	Temperature Range	Package
IS31AP4088A-QFLS2-EB	-40°C to +85°C (Industrial)	QFN-16, Lead-free

Table 1: Ordering Information

For pricing, delivery, and ordering information, please contact ISSI's analog marketing team at analog@issi.com or (408) 969-6600.

IS31AP4088A CLASS-AB AUDIO AMPLIFIER

DETAILED DESCRIPTION

The IS31AP4088A demo board features the IS31AP4088A Class-AB power amplifier IC, designed to drive speaker impedance of 4Ω or larger.

CUSTOMIZING THE GAIN

The IS31AP4088A demo board is shipped with a gain of 18.3dB and is set by resistors R_I (R_1 , R_2) and R_F (R_3 , R_4). Change resistors R_I and R_F to reconfigure the gain of the board. Gain determined in Equation (1) and refer to IS31AP4088A data sheet for more detail.

$$Gain = \frac{2 \times R_F}{R_I} \left(\frac{V}{V} \right) \quad (1)$$

HIGH-PASS FILTER

The input capacitors C_1 (C_5 , C_6) and input resistors R_I (R_1 , R_2) form a high-pass filter with the corner frequency, f_c determined in Equation (2).

$$f_c = \frac{1}{(2\pi R_I C_I)} \quad (2)$$

SHUTDOWN MODE

Jumper (J1) controls the shutdown pin of the IS31AP4088A IC. Connect the shunt across pin 1 and 2 of the jumper (J1) to enter the shutdown mode of the board.

HEADPHONE MODE

Connect the headphone to the connector (HP Jack) enter the headphone mode of the board.

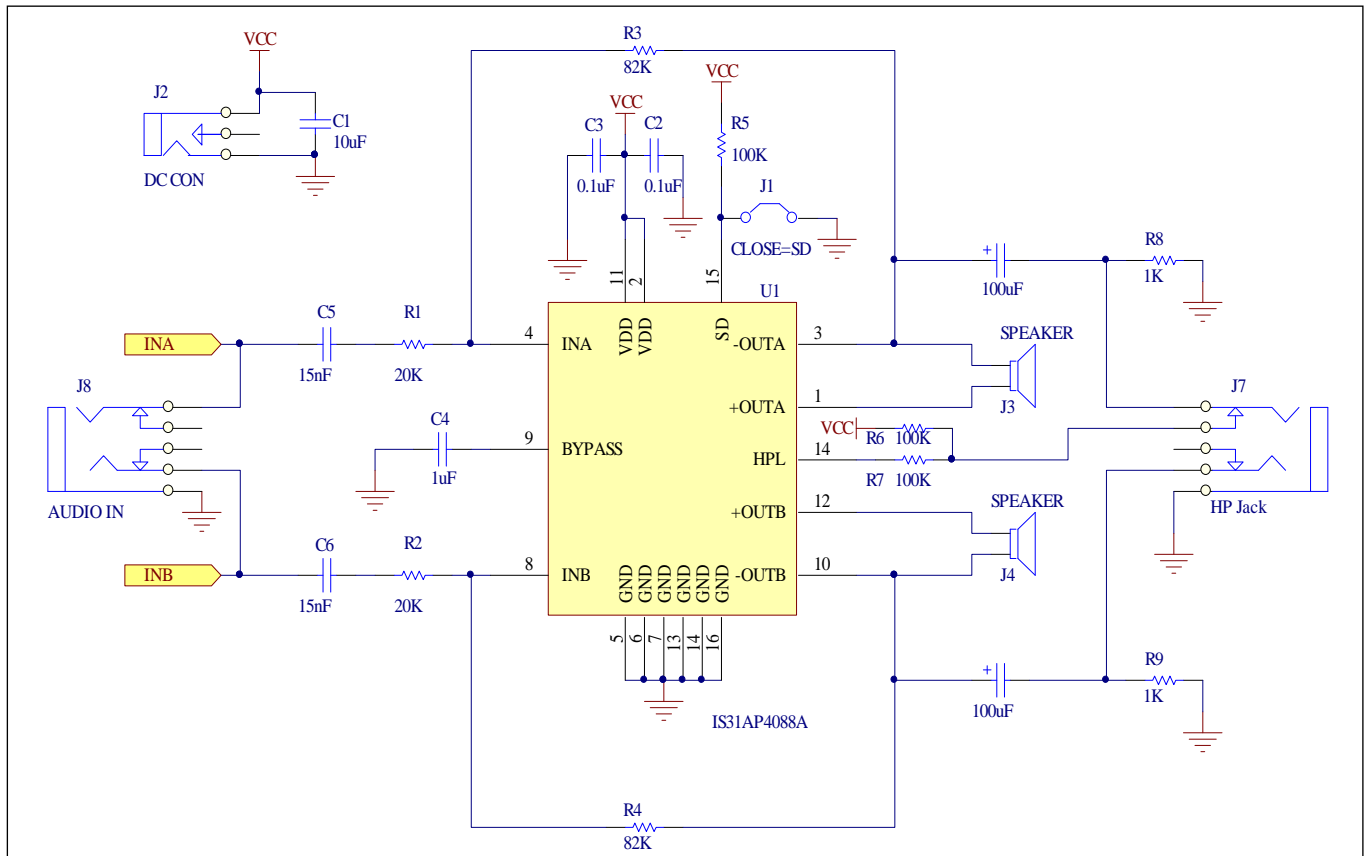


Figure 2: IS31AP4088A Application Circuit



IS31AP4088A CLASS-AB AUDIO AMPLIFIER

BILL OF MATERIALS

Name	Symbol	Description	Qty	Supplier	Part No.
Amplifier	U1	Class- AB power amplifier	1	ISSI	IS31AP4088A
Resistor	R1,R2	RES,20k,1/16W,±1%,SMD	2	Yageo	RC0603FR-0720KL
Resistor	R3,R4	RES,82k,1/16W,±1%,SMD	1	Yageo	RC0603FR-0782KL
Resistor	R5,R6,R7	RES,100k,1/16W,±5%,SMD	3	Yageo	RC0603JR-07100KL
Capacitor	C1	CAP,10µF,10V,±10%,SMD	1	Yageo	CC0805KKX7R6BB106
Capacitor	C2 ,C3	CAP, 0.1µF,50V,±10%,SMD	2	Yageo	CC0603KKX7R9BB104
Capacitor	C4	CAP,1µF,50V,±10%,SMD	1	Yageo	CC0603KKX7R9BB105
Capacitor	C5,C6	CAP,15nF,50V,±10%,SMD	1	Yageo	CC0603KKX7R9BB153
Connector	J2	2.5 mm DC connector	1		
Connector	J3,J4	RCA-type connector	2		
Connector	J7,J8	3.5mm min connector	2		

Bill of materials, refers to Figure 2 above.

IS31AP4088A CLASS-AB AUDIO AMPLIFIER

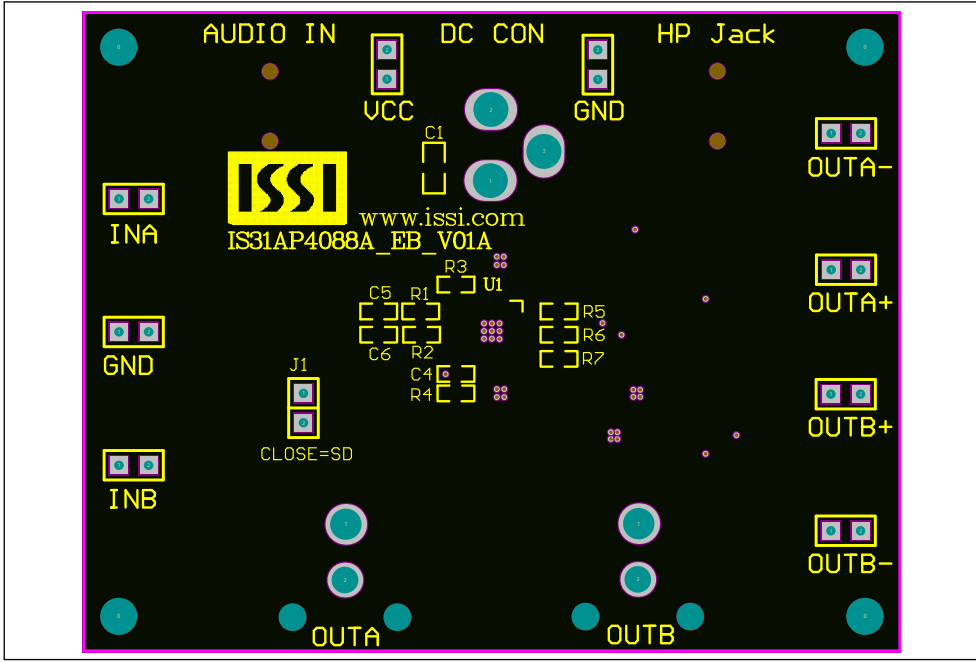


Figure 3: Board Component Placement Guide - Top Layer

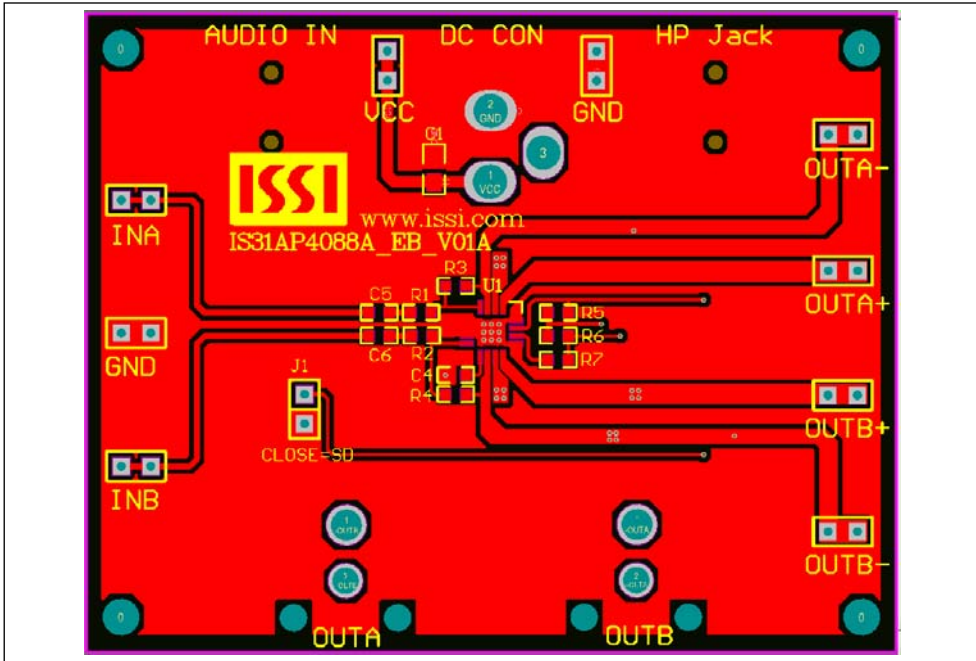


Figure 4: Board PCB Layout - Top Layer

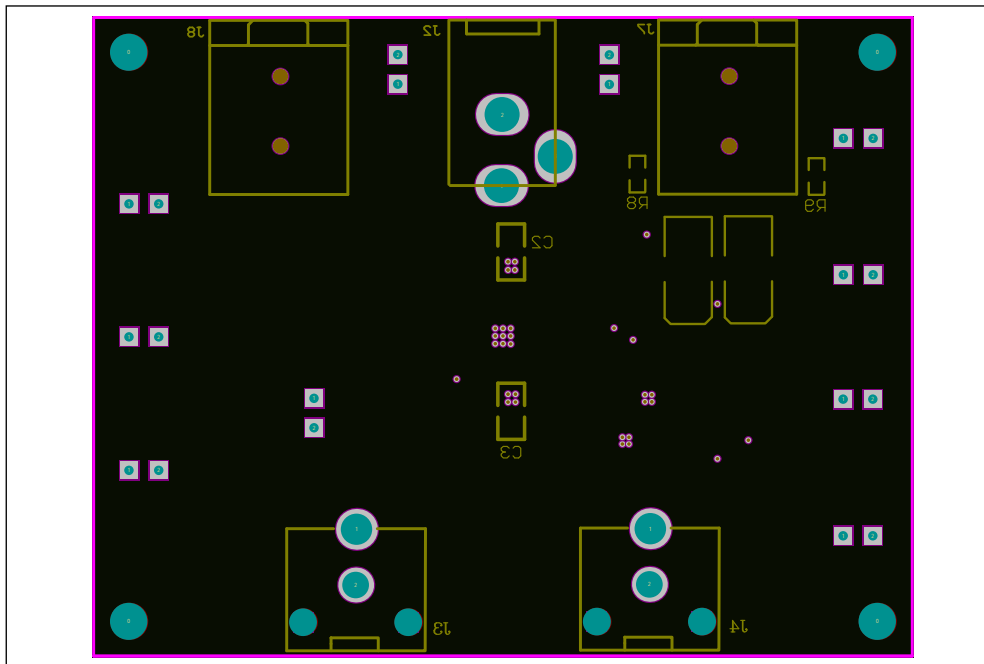


Figure 5: Board Component Placement Guide - Bottom Layer

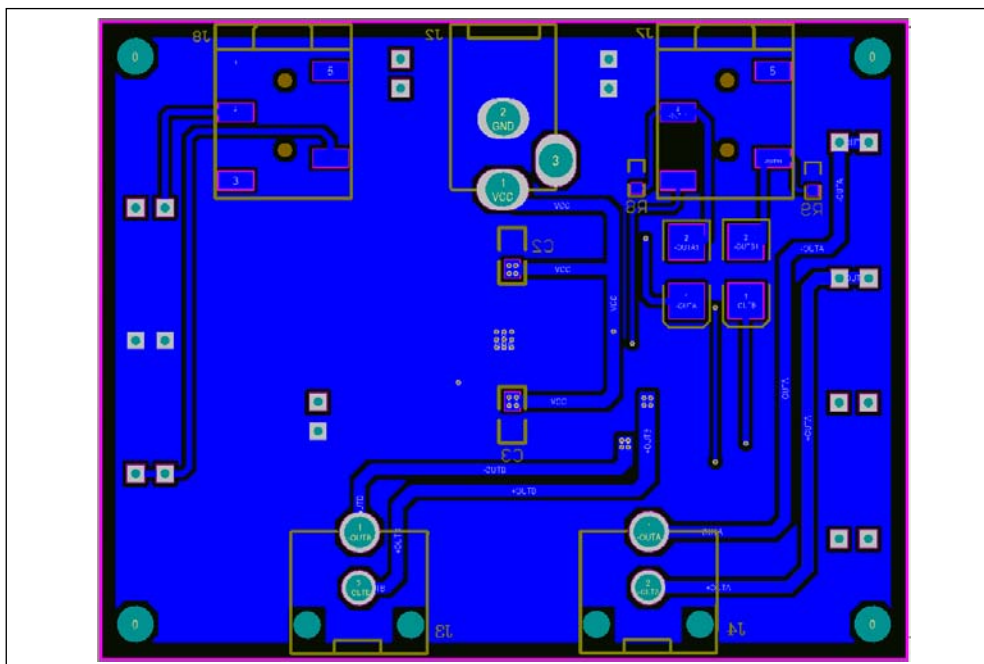


Figure 6: Board PCB Layout - Bottom Layer

Copyright © 2015 Integrated Silicon Solution, Inc. All rights reserved. ISSI reserves the right to make changes to this specification and its products at any time without notice. ISSI assumes no liability arising out of the application or use of any information, products or services described herein. Customers are advised to obtain the latest version of this device specification before relying on any published information and before placing orders for products. Integrated Silicon Solution, Inc. does not recommend the use of any of its products in life support applications where the failure or malfunction of the product can reasonably be expected to cause failure of the life support system or to significantly affect its safety or effectiveness. Products are not authorized for use in such applications unless Integrated Silicon Solution, Inc. receives written assurance to its satisfaction, that:

- a.) the risk of injury or damage has been minimized;
- b.) the user assume all such risks; and
- c.) potential liability of Integrated Silicon Solution, Inc is adequately protected under the circumstances