

AR0238_48MPLCC_Demo3Head_SER

Page	Description
1	Title Page
2	Block Diagram
3	Sensor
4	Power
5	Clock and Reset
6	External Interfaces

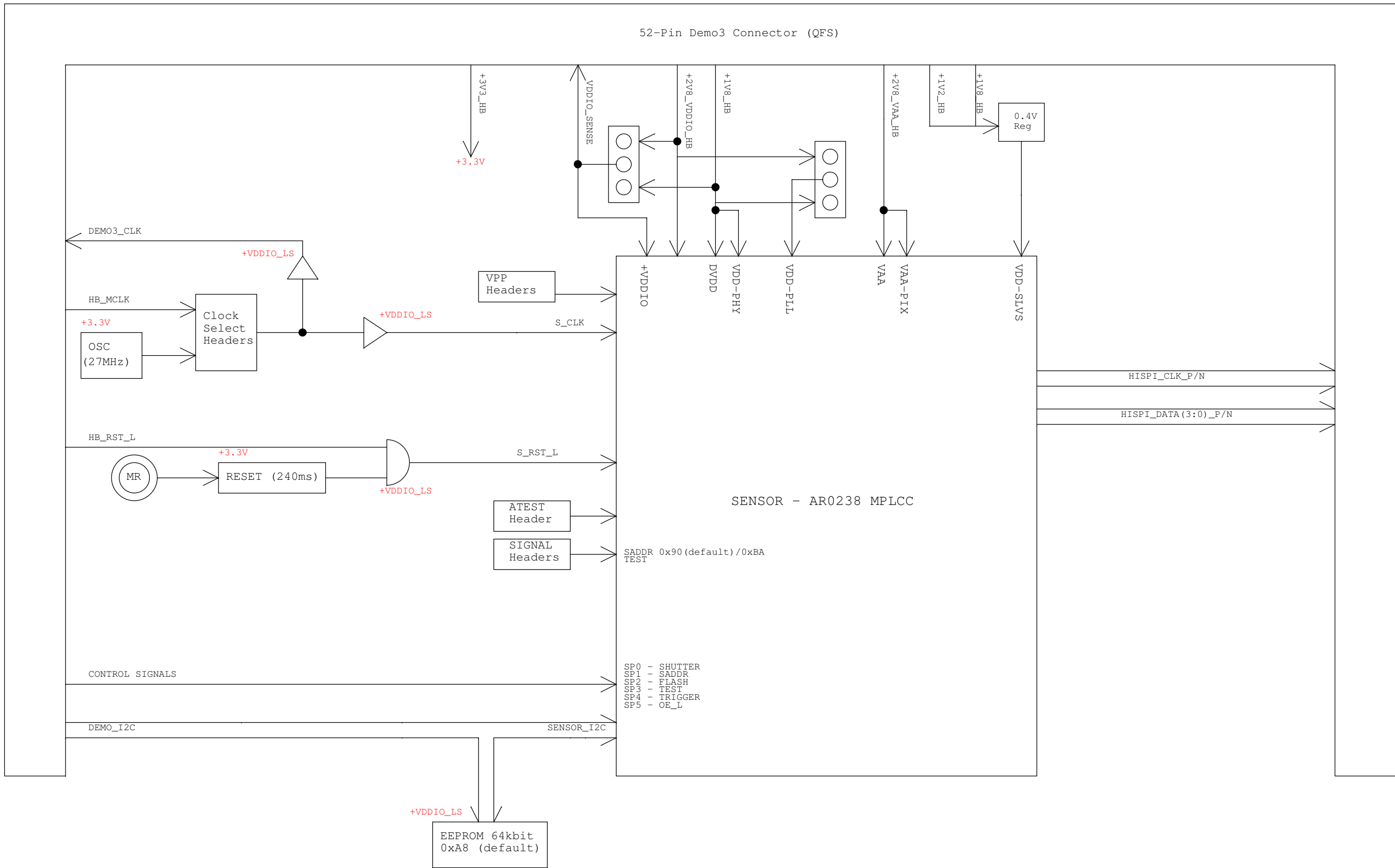
Rev	Who	Date	Description
Rev 0.0	sesha	09/11/15	Initial




ON Semiconductor®

Title Page		
Document Name	AR0238-48MPLCC_Demo3Head_SER	Rev 0.0
Date:	Thursday, May 19, 2016	Sheet 1 of 6

Block Diagram



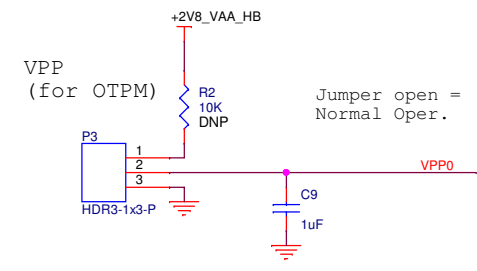
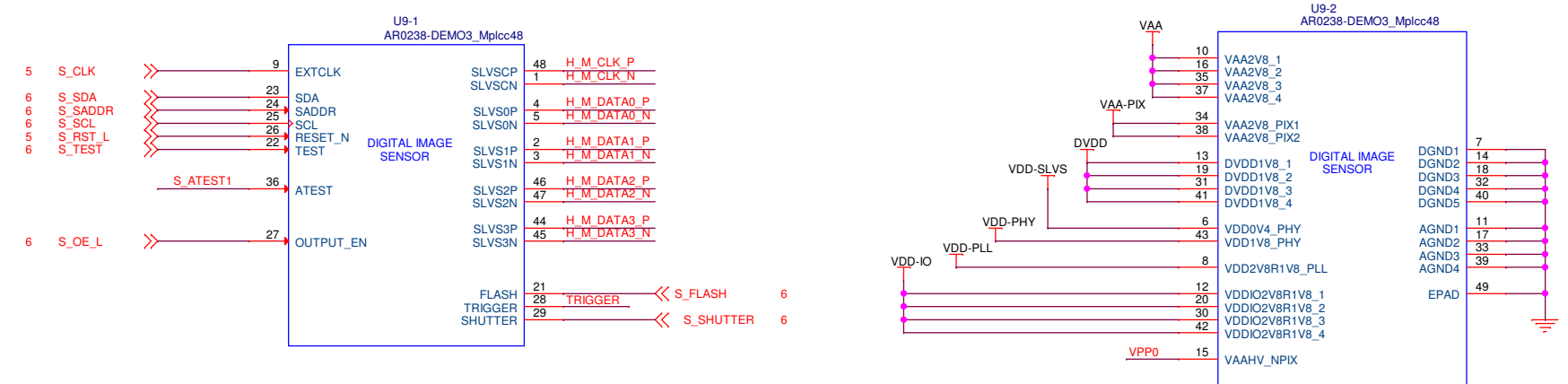


ON Semiconductor

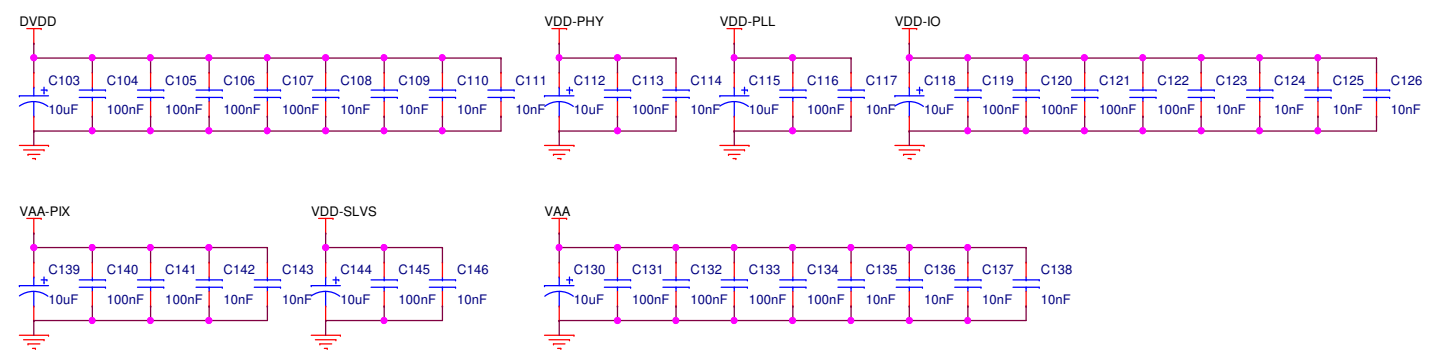
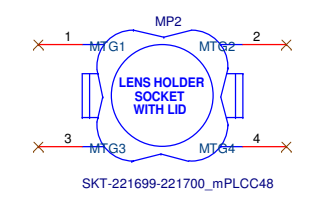
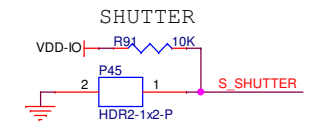
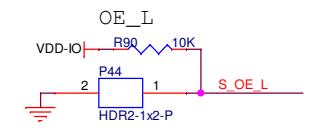
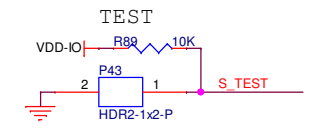
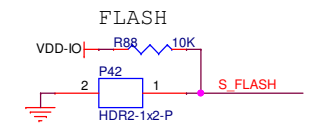
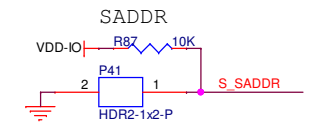
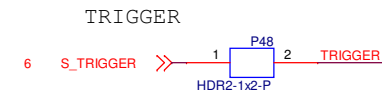
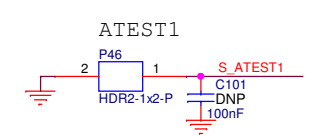
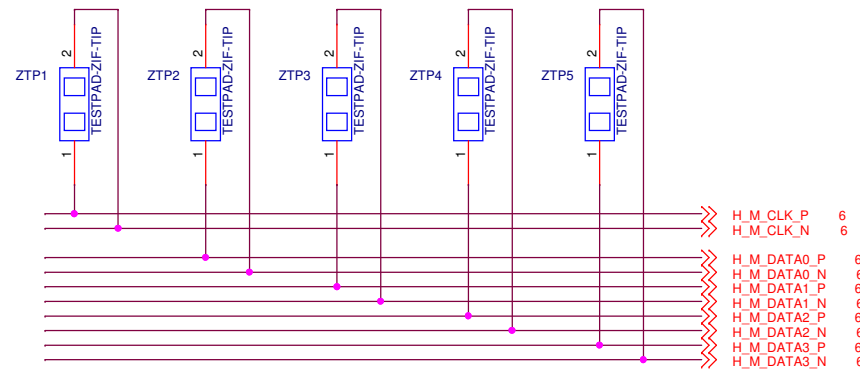
Title		
Block Diagram		
Size	Document Name	Rev
C	AR0238-MPLCC_Demo3Head_SER	0.0
Date:	Thursday, May 19, 2016	Sheet 2 of 6

AR0238_48mPLCC_Sensor

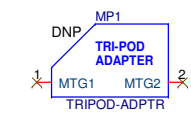
+5V0	4	+5V0	4
+3V3	4,5	+3V3	4,5
+VDDIO_LS	4,5,6	+VDDIO_LS	4,5,6
DVDD	4	DVDD	4
VDD-PHY	4	VDD-PHY	4
VDD-PLL	3,4	VDD-PLL	3,4
VDD-IO	4	VDD-IO	4
VDD-PLL	3,4	VDD-PLL	3,4
VAA	4	VAA	4
VAA-PIX	4	VAA-PIX	4
VDD-SLVS	4	VDD-SLVS	4



(Note for layout: - Place these testpads near the Demo3 I/F connector at the top side of PCB)



TRIPOD MOUNT



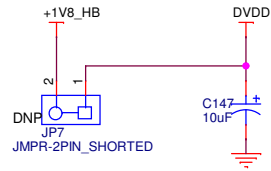
ON
ON Semiconductor®

Title	Sensor	
Size	Document Name	Rev
C	AR0238-MPLCC_Demo3Head_SER	0.0
Date:	Thursday, May 19, 2016	Sheet 3 of 6

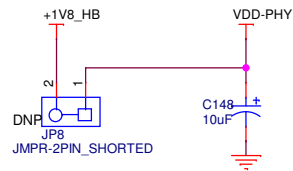
Debug Headers: Cut away the shorted trace and mount header for power debugging

Power

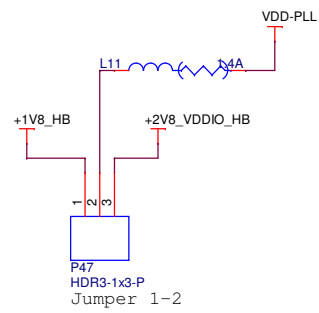
DVDD 1.8V SUPPLY



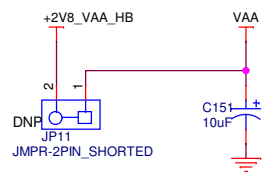
VDD-PHY 1.8V SUPPLY



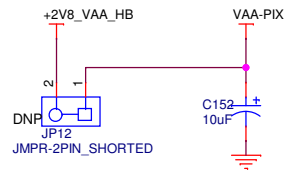
VDD-PLL 1.8V / 2.8V SUPPLY



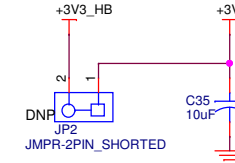
VAA 2.8V SUPPLY



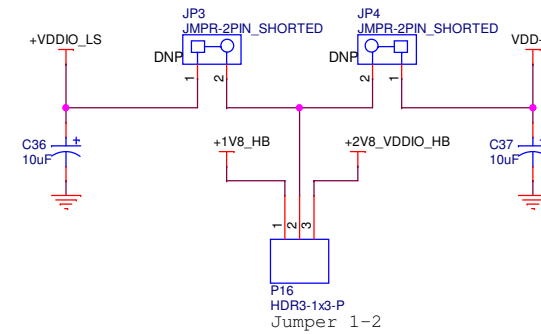
VAA-PIX 2.8V SUPPLY



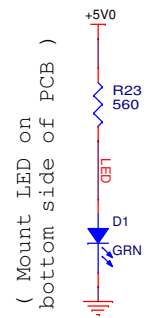
PERIPHERAL 3.3V SUPPLY



VDDIO & VDDIO_LS 1.8V/2.8V SUPPLY

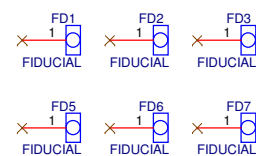
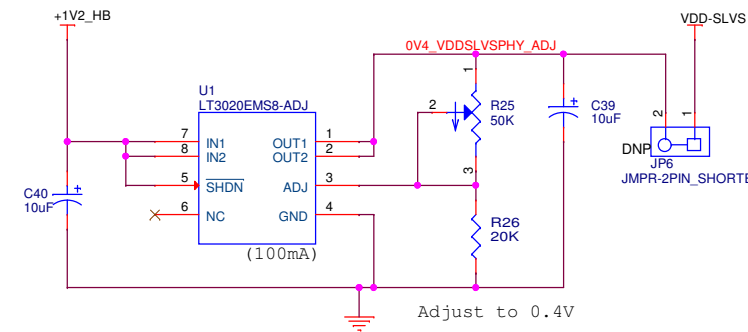


5V LED

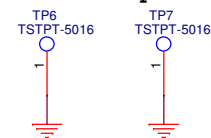


+5V0_HB	6	+5V0_HB	6
+3V3_HB	6	+3V3_HB	6
+2V8_VAA_HB	3,6	+2V8_VAA_HB	3,6
+2V8_VDDIO_HB	6	+2V8_VDDIO_HB	6
+1V8_HB	6	+1V8_HB	6
+1V2_HB	6	+1V2_HB	6
+5V0	5,6	+5V0	5,6
+3V3	5	+3V3	5
+VDDIO_LS	5,6	+VDDIO_LS	5,6
DVDD	3	DVDD	3
VDD-PHY	3	VDD-PHY	3
VDD-PLL	3,4	VDD-PLL	3,4
VDD-IO	3	VDD-IO	3
VDD-PLL	3,4	VDD-PLL	3,4
VAA	3	VAA	3
VAA-PIX	3	VAA-PIX	3
VDD-SLVS	3	VDD-SLVS	3

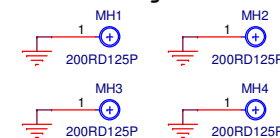
VDDSLVSPHY 0.4V SUPPLY



Ground Testpoints



Mounting Holes



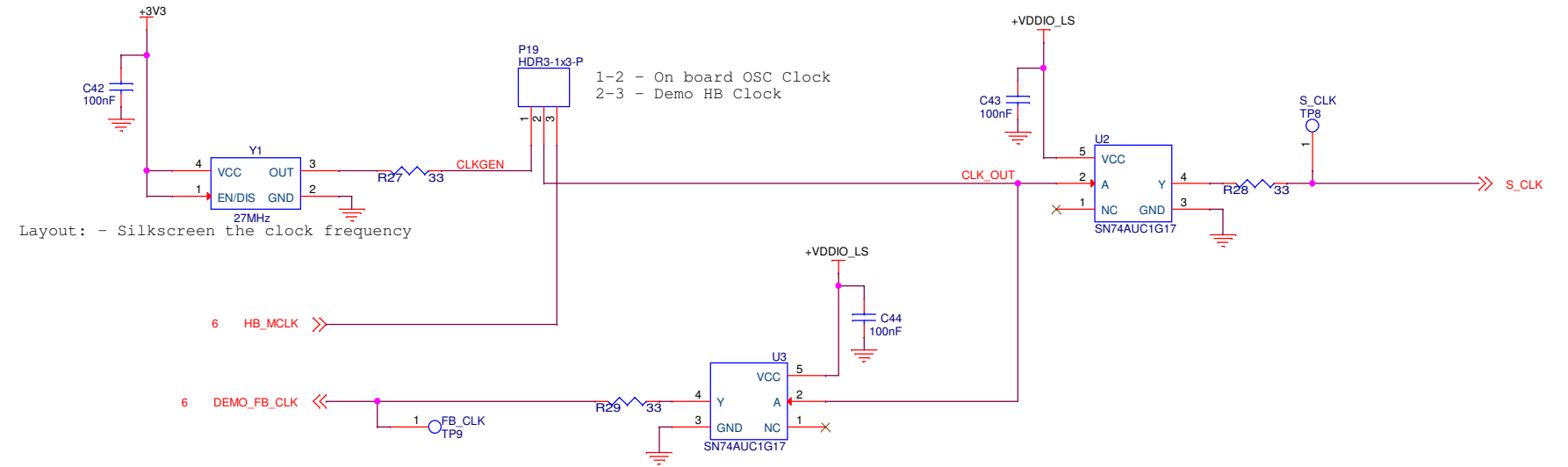
ON Semiconductor®

Title		
Power		
Size	Document Name	Rev
C	AR0238-MPLCC_Demo3Head_SER	0.0
Date:	Thursday, May 19, 2016	Sheet 4 of 6

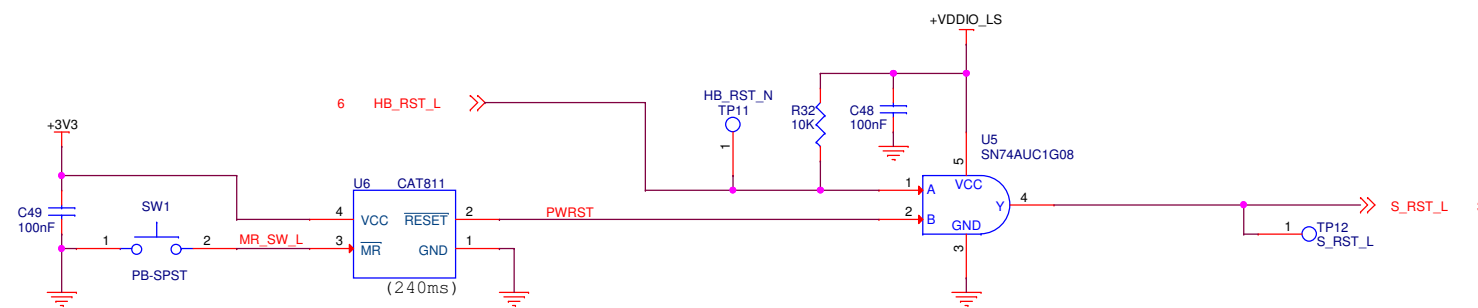
Clock and Reset

+5V0 4
 +3V3 4
 +VDDIO_LS 4,6

CLOCK CIRCUIT



RESET CIRCUIT



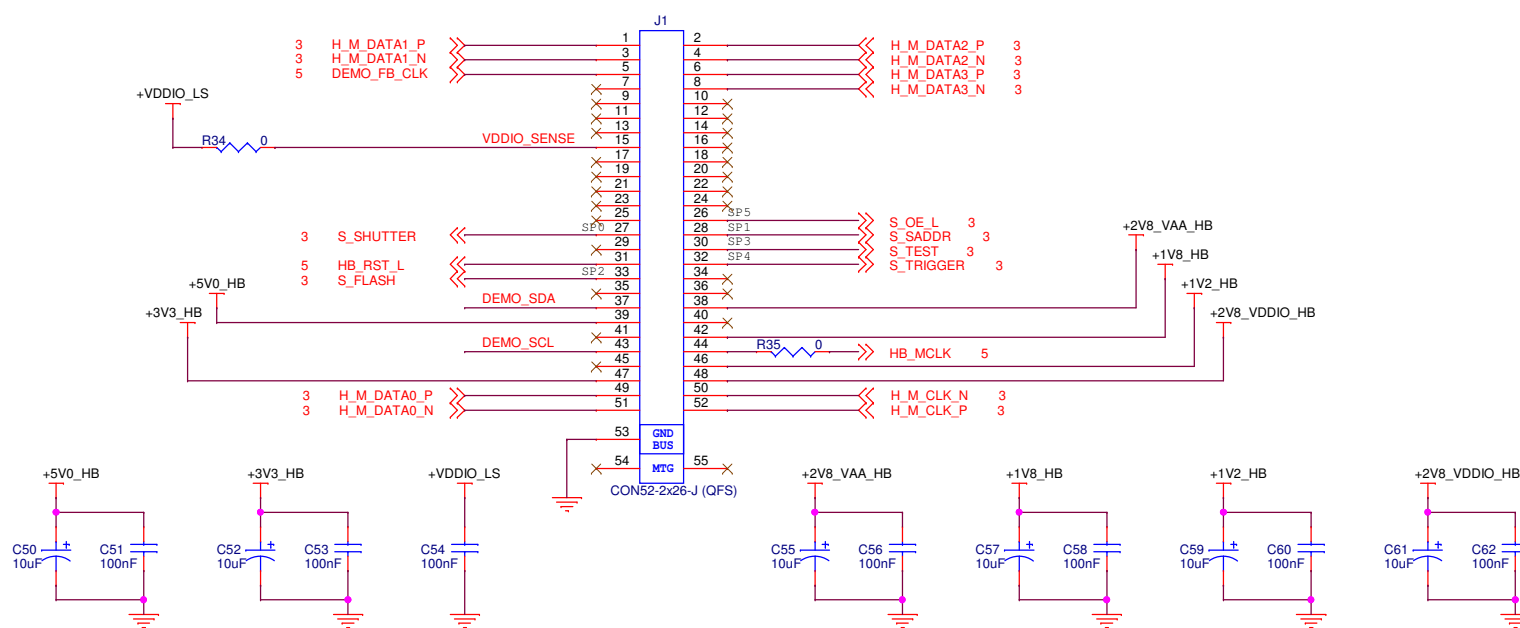
ON Semiconductor®

Title		
Clock and Reset		
Size	Document Name	Rev
C	AR0238-MPLCC_Demo3Head_SER	0.0
Date:	Thursday, May 19, 2016	Sheet 5 of 6

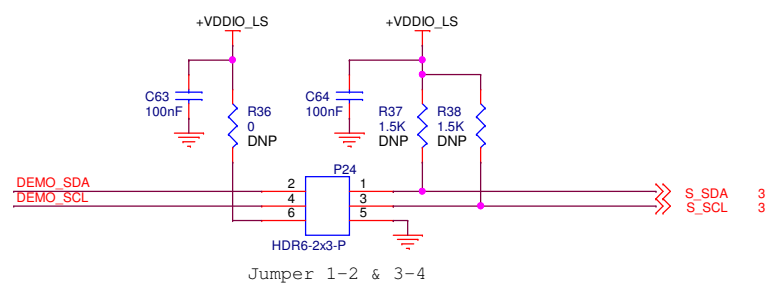
External Interface

+5V0_HB		+5V0_HB	4
+3V3_HB		+3V3_HB	4
+2V8_VAA_HB		+2V8_VAA_HB	3,4
+2V8_VDDIO_HB		+2V8_VDDIO_HB	4
+1V8_HB		+1V8_HB	4
+1V2_HB		+1V2_HB	4
+3V3_VDDIO_LS		+3V3_VDDIO_LS	4,5
		+VDDIO_LS	4,5

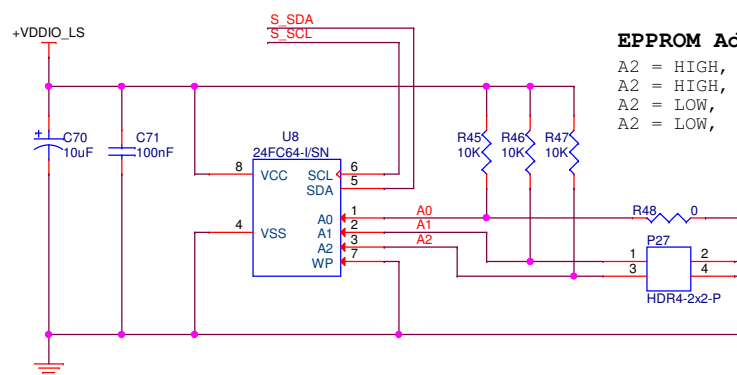
DEMO3 BASEBOARD I/F



I2C DEBUG



LENS CORRECTION EEPROM



EEPROM Address Switch Settings:
 A2 = HIGH, A1 = LOW, A0 = LOW; Address => 0xA8 (default)
 A2 = HIGH, A1 = HIGH, A0 = LOW; Address => 0xAC
 A2 = LOW, A1 = HIGH, A0 = LOW; Address => 0xA4
 A2 = LOW, A1 = LOW, A0 = LOW; Address => 0xA0



ON Semiconductor		
Title: External Interface		
Size C	Document Name: AR0238-MPLCC_Demo3Head_SER	Rev: 0.0
Date: Thursday, May 19, 2016	Sheet: 6	of 6