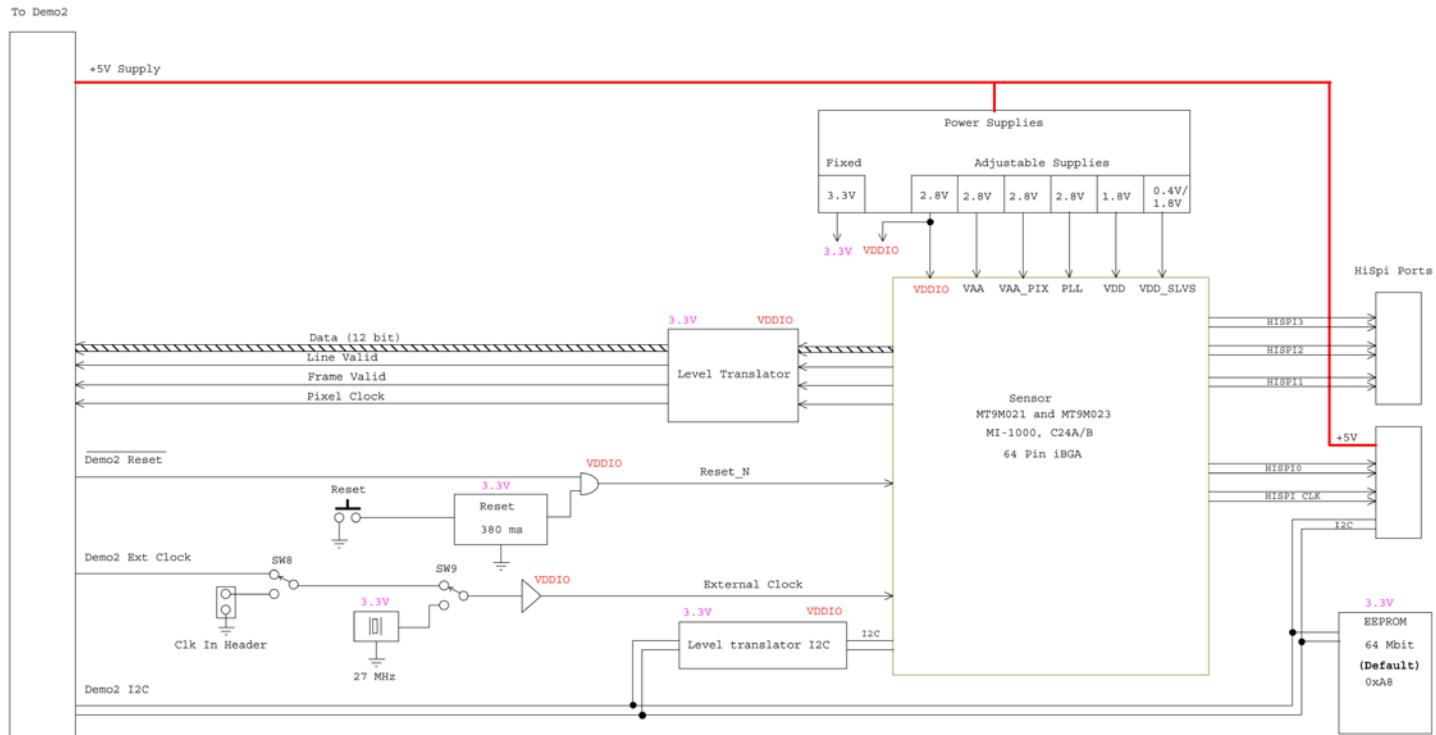
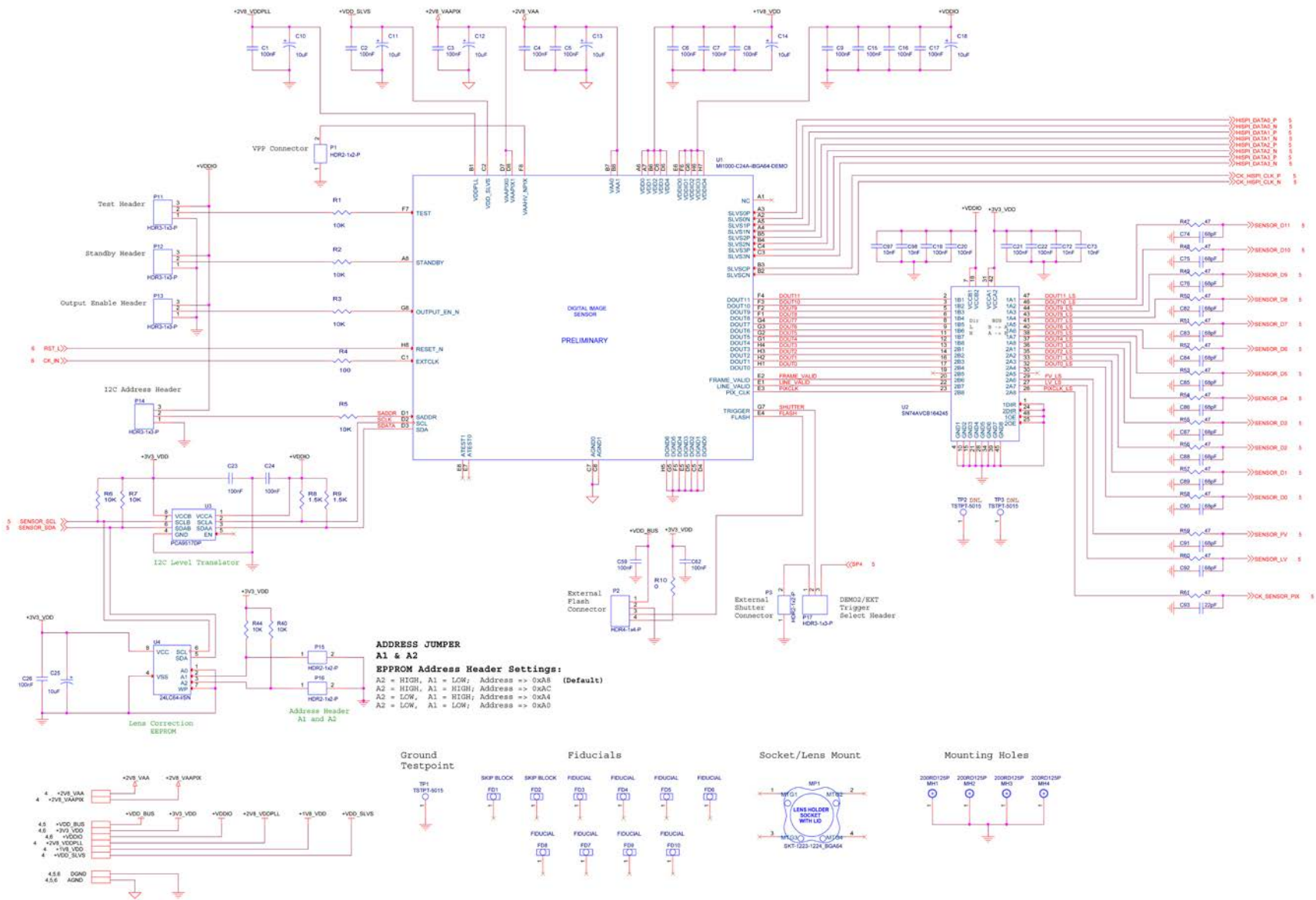


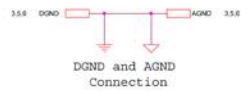
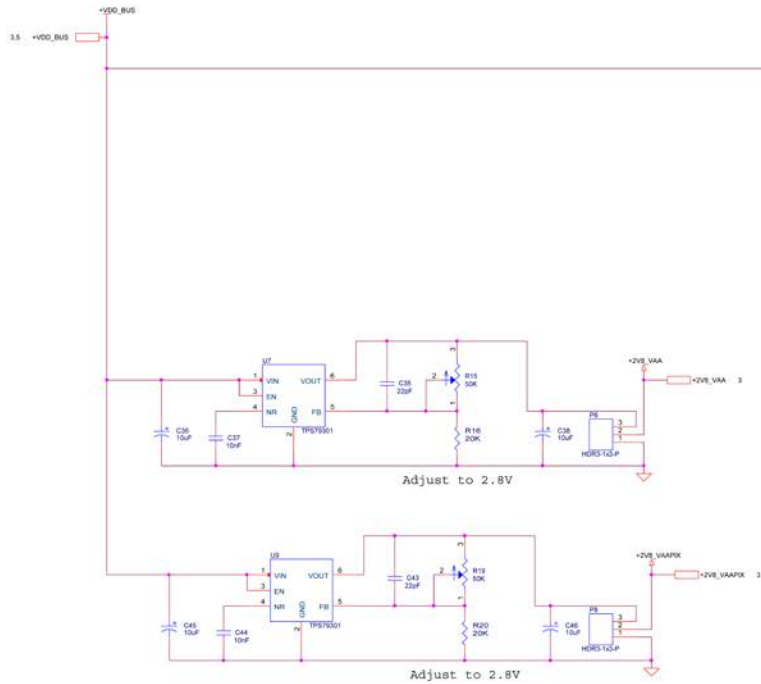
## Schematic for the AR0132AT6C00XPEAH3-S215-GEVB Evaluation Board

Block Diagram - MT9M021 IBGA and MT9M023 IBGA

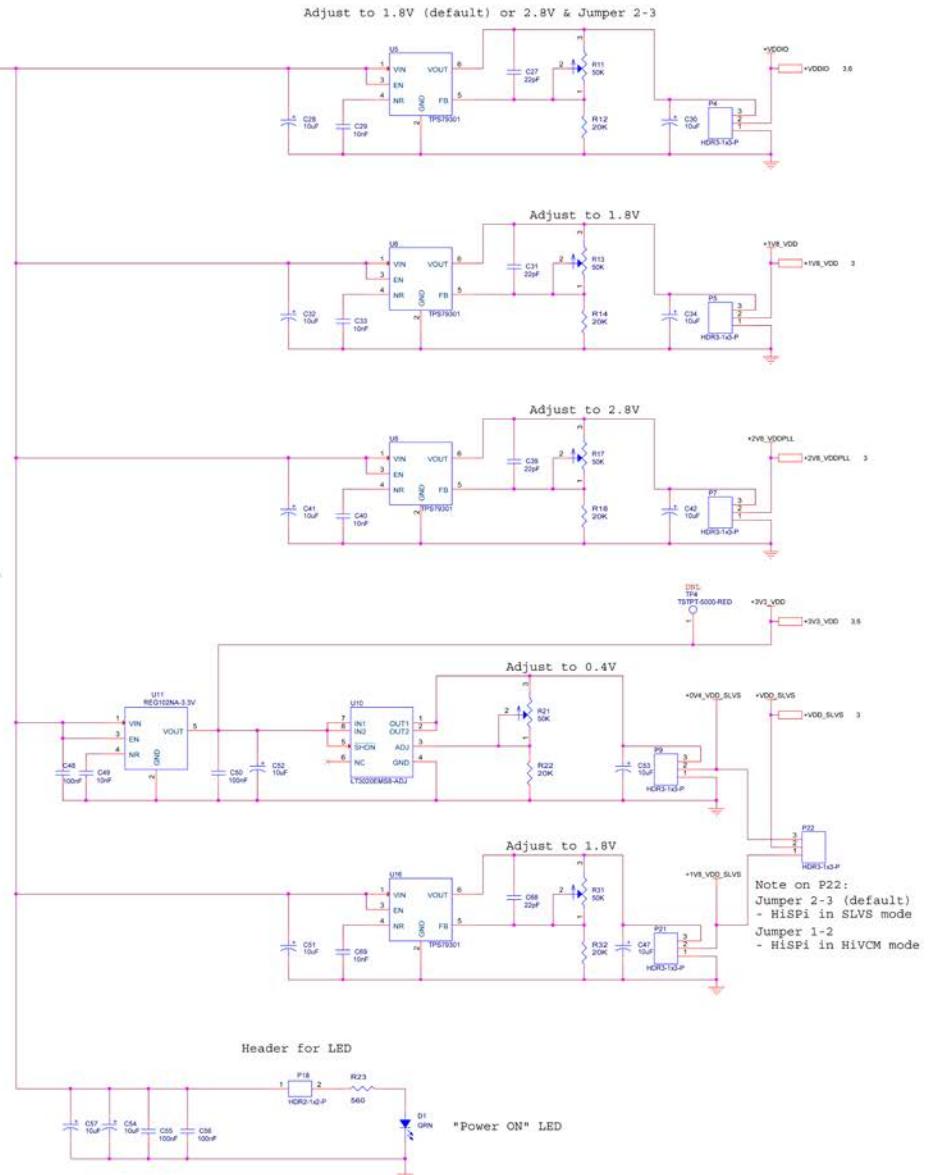




Analog



Digital





# Headboard Interface

