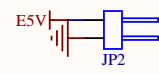
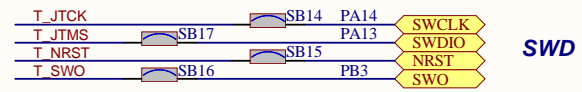
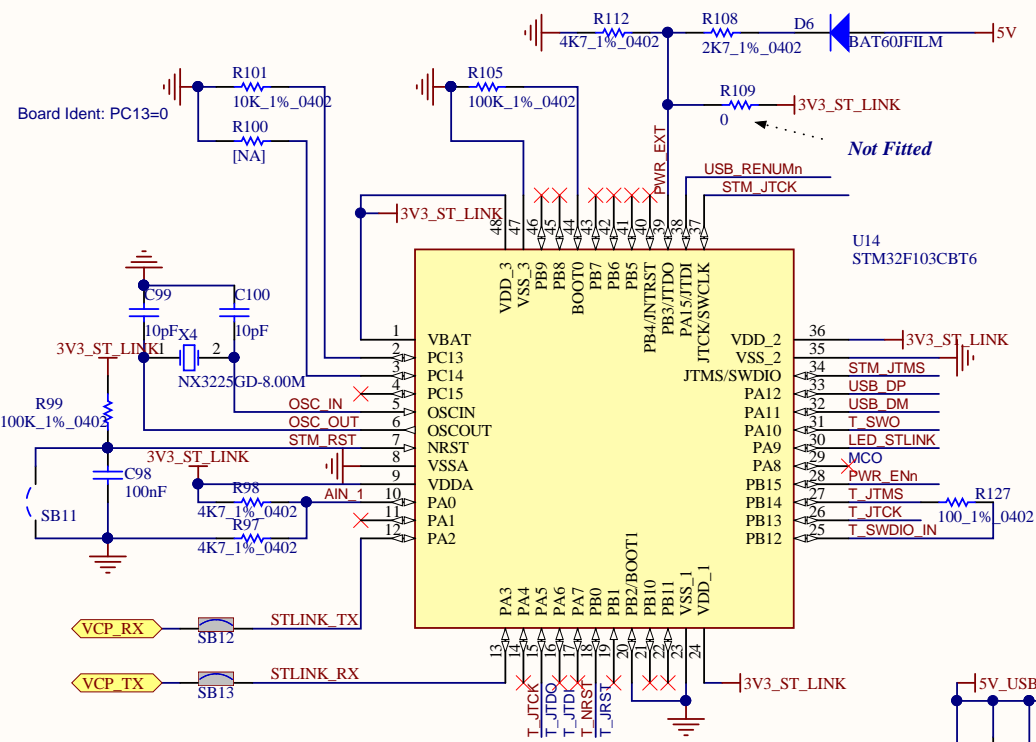


Rev A-01 -> PCB label MB1191 A-01
 Rev B-01 -> PCB label MB1191 B-01, Ethernet modification, add SPDIF module,
 Remove STPS1L30A for having 5V. Required on USB_VCC
 Rev B-02 -> PCB label MB1191 B-02, Change Capacitors value for X3, X4.
 Add R131, R135 of 100K

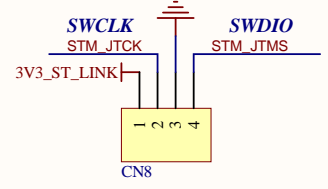
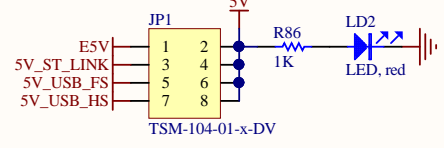
Title: STM32F750 Discovery Interconnexion		
Project: STM32F7508-DK		
Size: A4	Reference: MB1191	Revision: B-02
Date: 9/7/2018		Sheet: 1 of 13



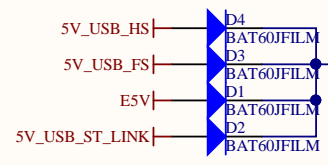


Not Fitted, must be on a border or the PCB.

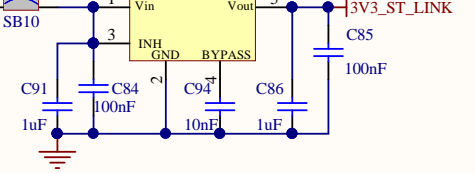
5 Volts Power Supply



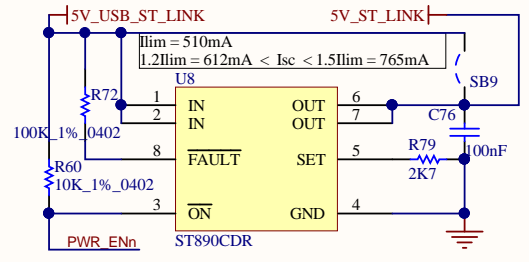
Not Fitted, must be on a border or the PCB.



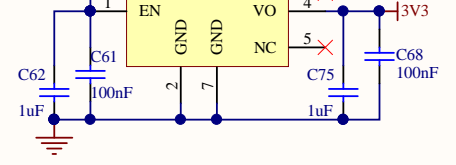
ST-LINK Power



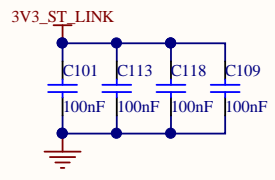
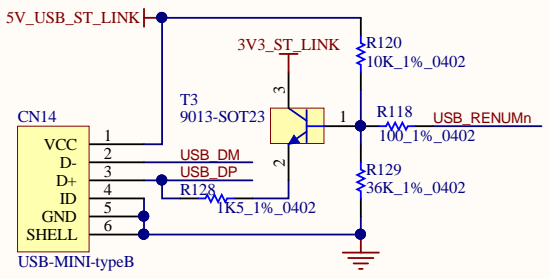
5 Volts Output



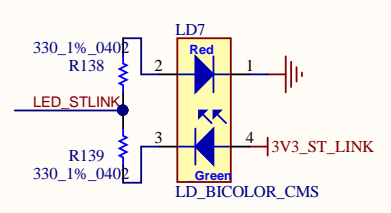
3.3 Volts Output



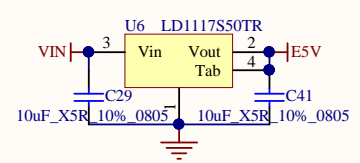
USB



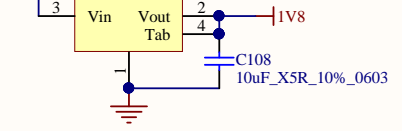
COM



Arduino UNO power pin

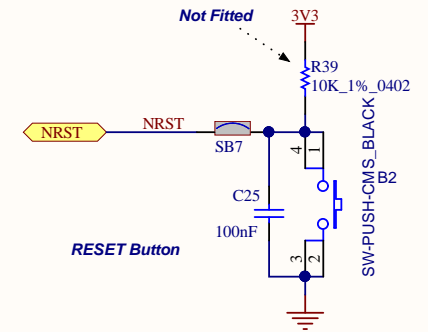
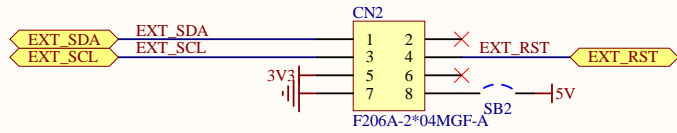


1.8 Volts Output

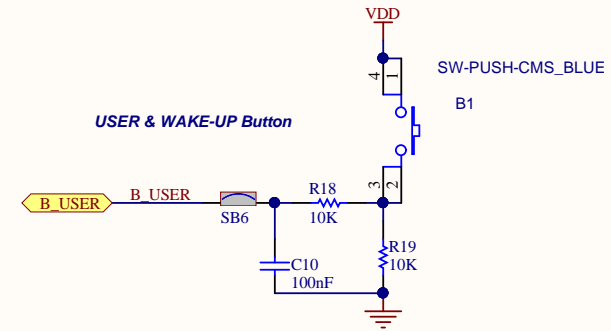
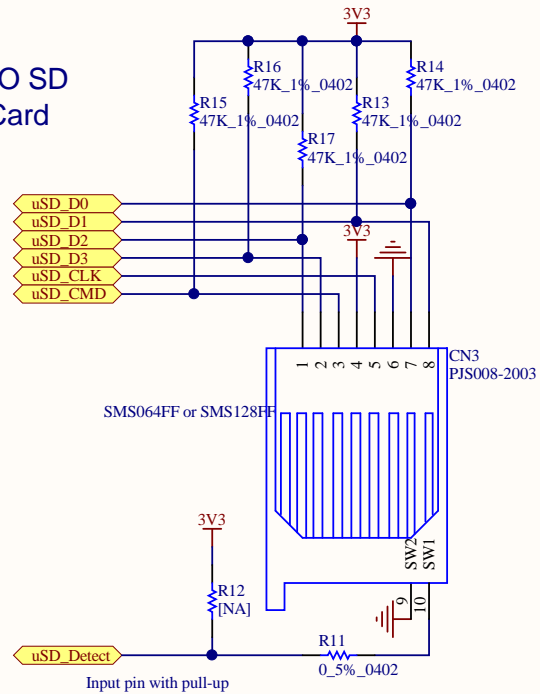


Title: ST-LINK/V2-1 with support of SWD only			
Project: STM32F7508-DK			
Size: A4	Reference: MB1191	Revision: B-02	life.augmented
Date: 9/7/2018	Sheet: 2 of 13		

EXT/RF E2P Connector



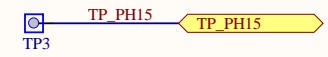
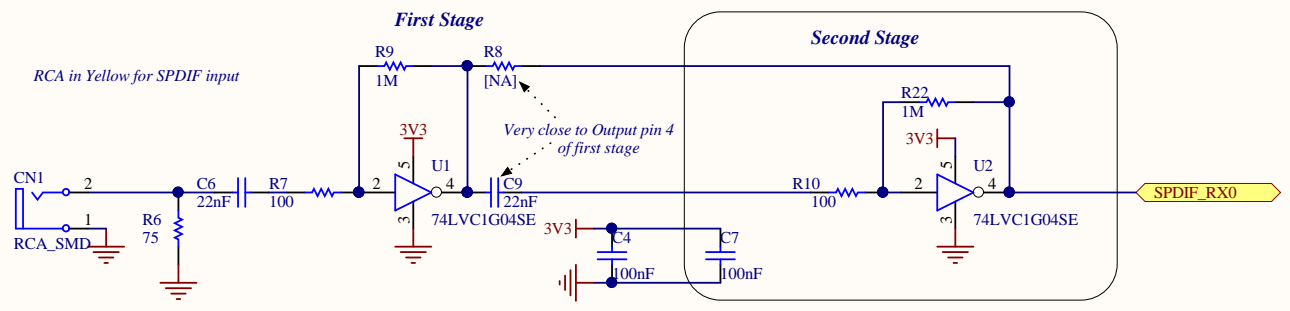
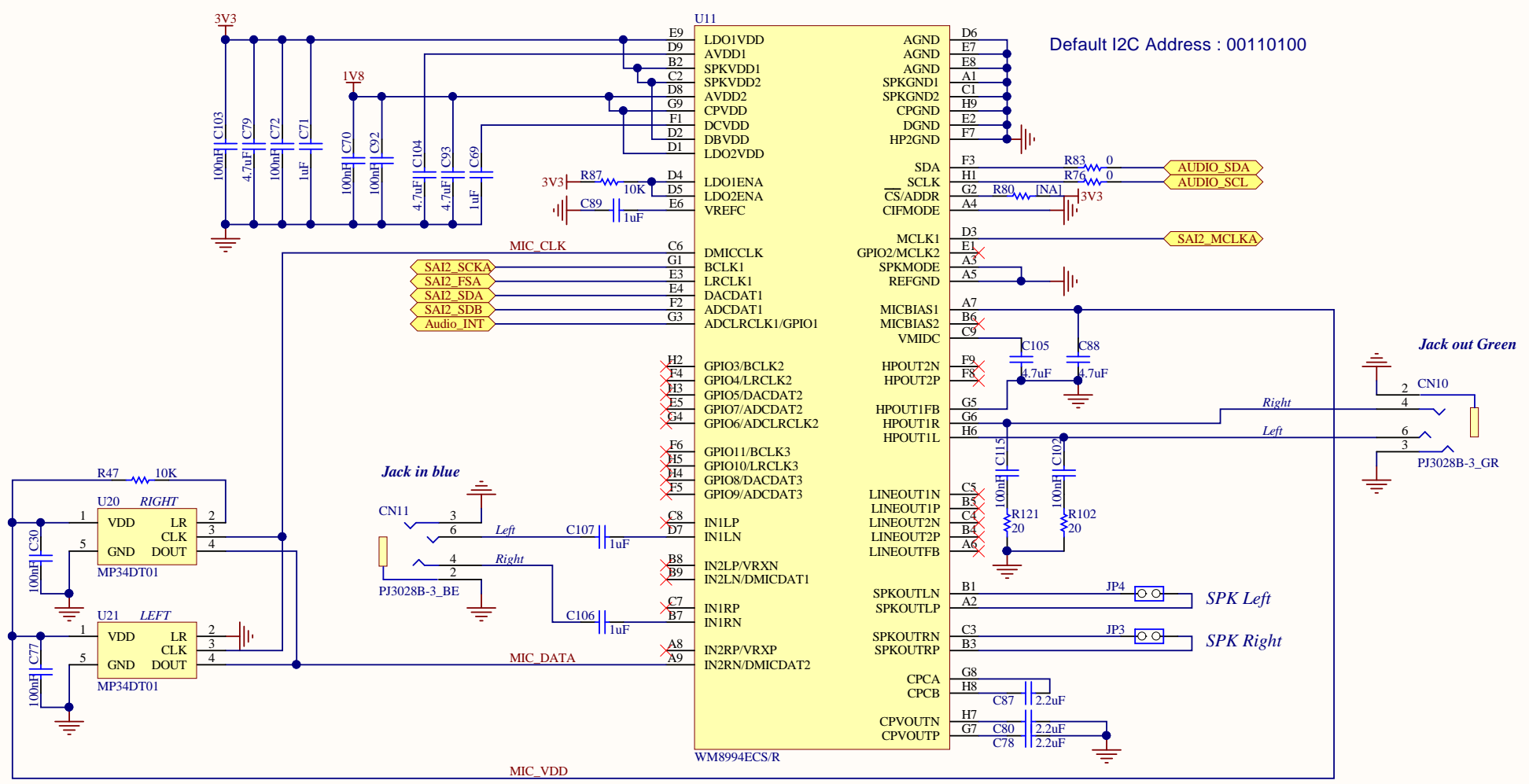
MICRO SD (TF) Card



Title: Joystick, ACP, LEDs and Push Button		
Project: STM32F7508-DK		
Size: A4	Reference: MB1191	Revision: B-02
Date: 9/7/2018	Sheet: 3 of 13	



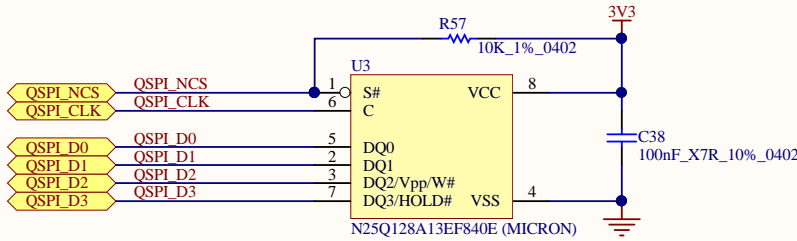
Default I2C Address : 00110100



Title: Audio Codec WOLFSON and connectors		
Project: STM32F7508-DK		
Size: A4	Reference: MB1191	Revision: B-02
Date: 9/7/2018	Sheet: 4 of 13	

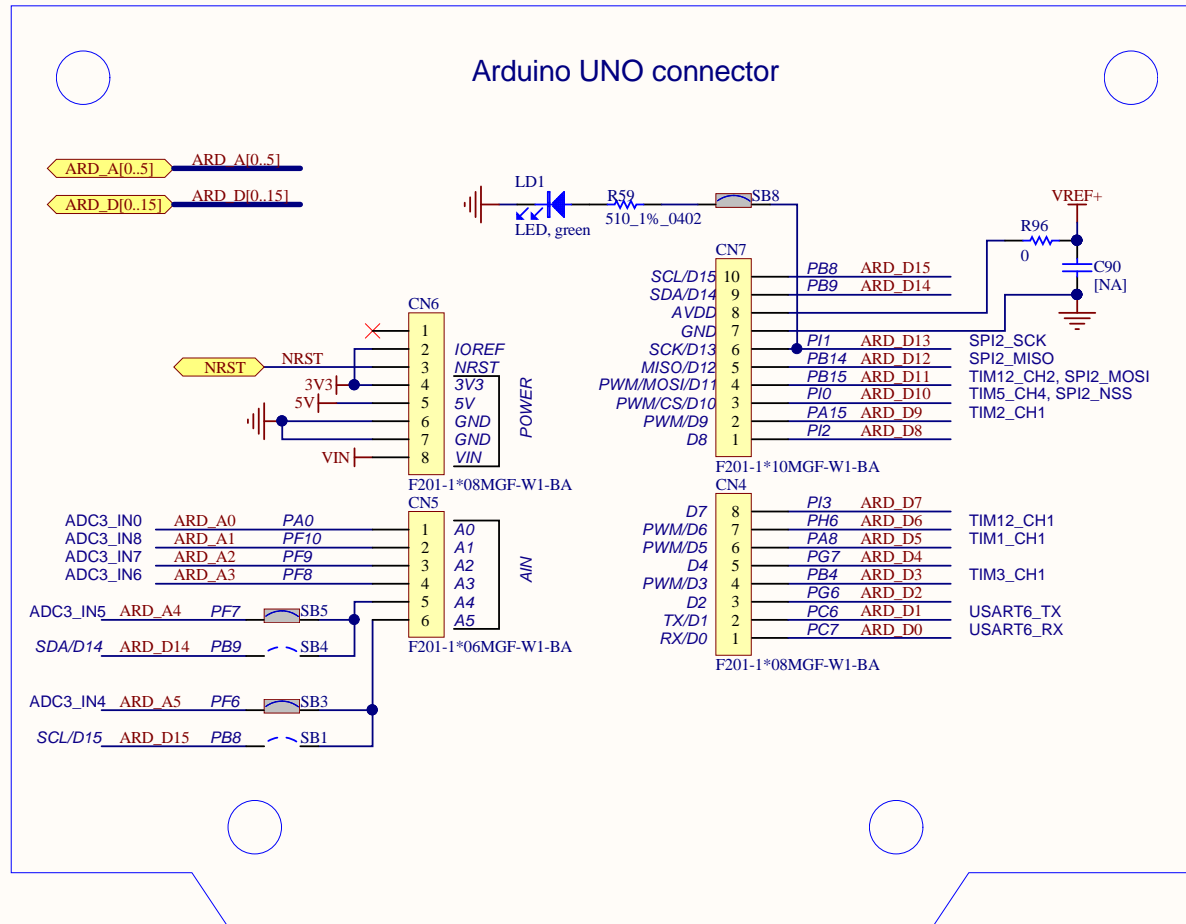


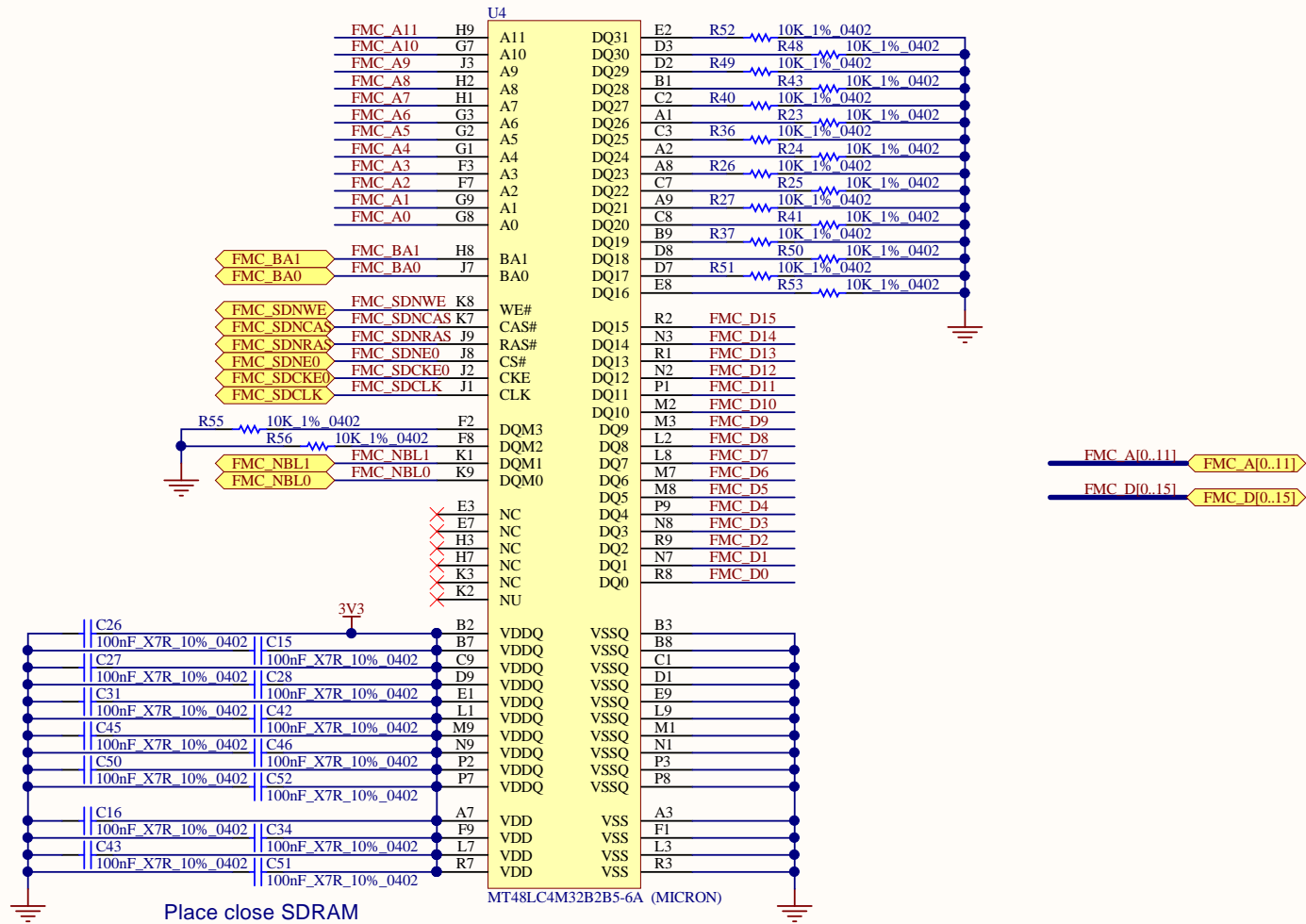
Quad SPI Flash Memory



Title: Quad SPI Flash Memory (MICRON)		
Project: STM32F7508-DK		
Size: A4	Reference: MB1191	Revision: B-02
Date: 9/7/2018	Sheet: 5 of 13	





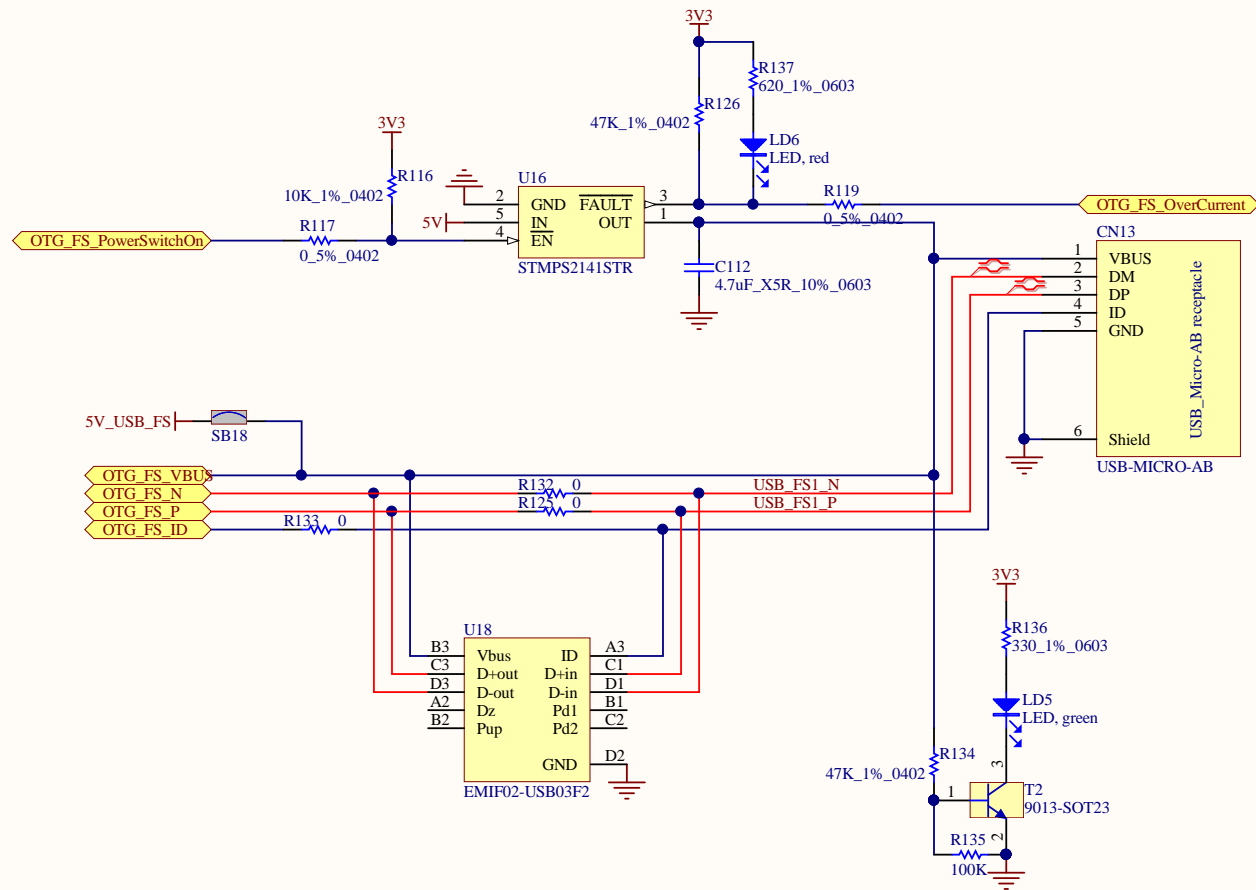


Place close SDRAM

MT48LC4M32B2B5-6A (MICRON)

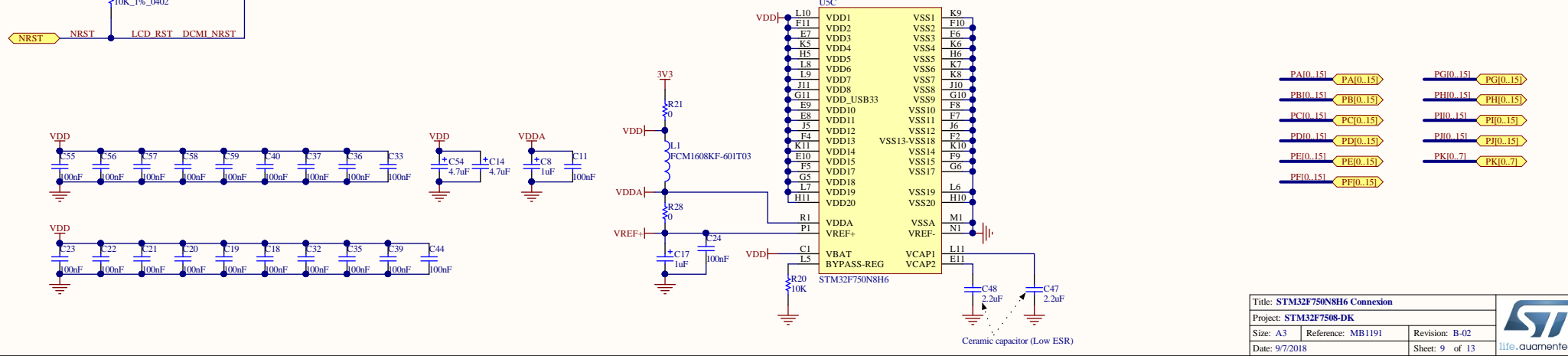
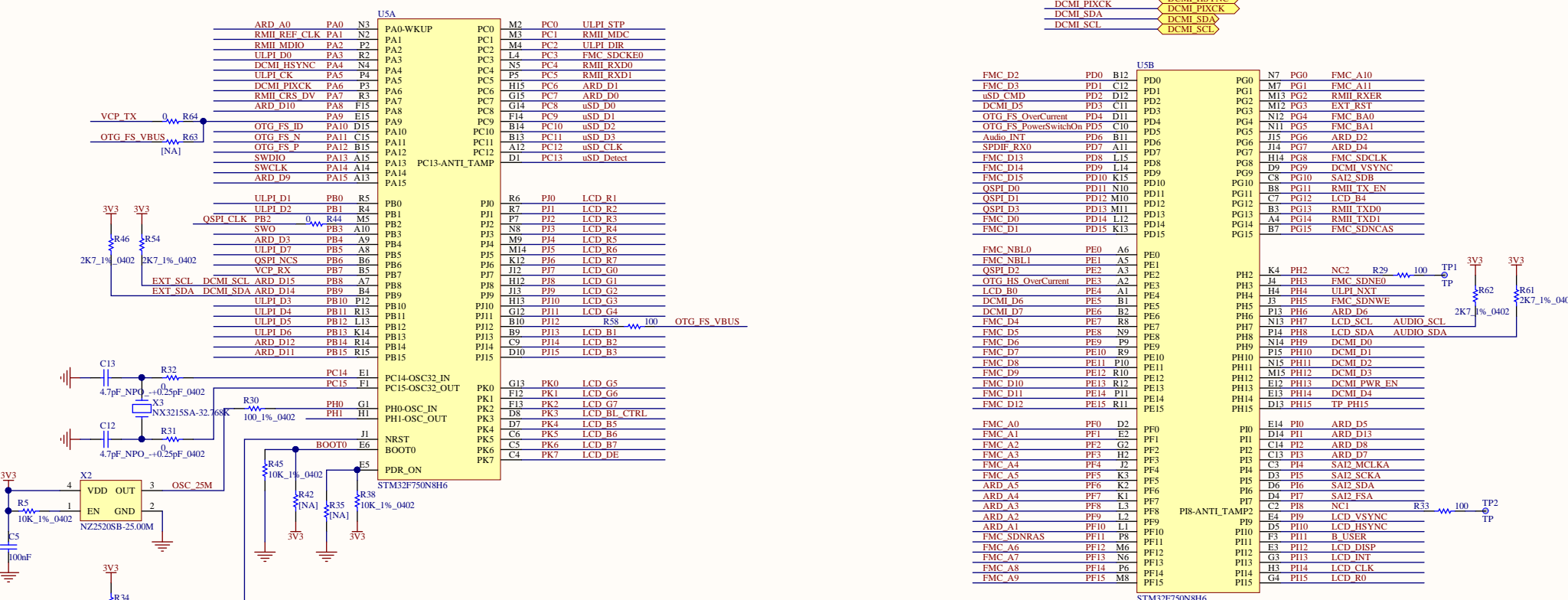
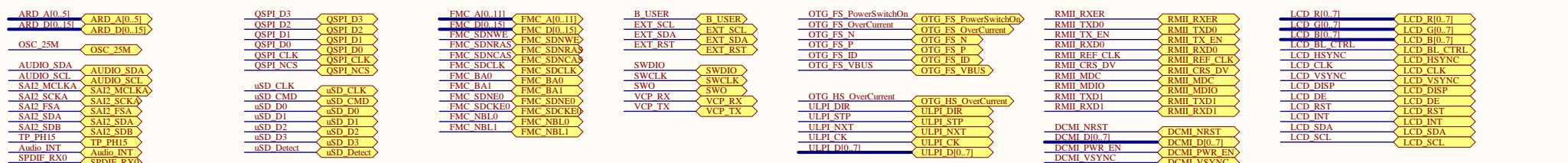
Title: SDRAM (MICRON)		
Project: STM32F7508-DK		
Size: A4	Reference: MB1191	Revision: B-02
Date: 9/7/2018	Sheet: 7 of 13	

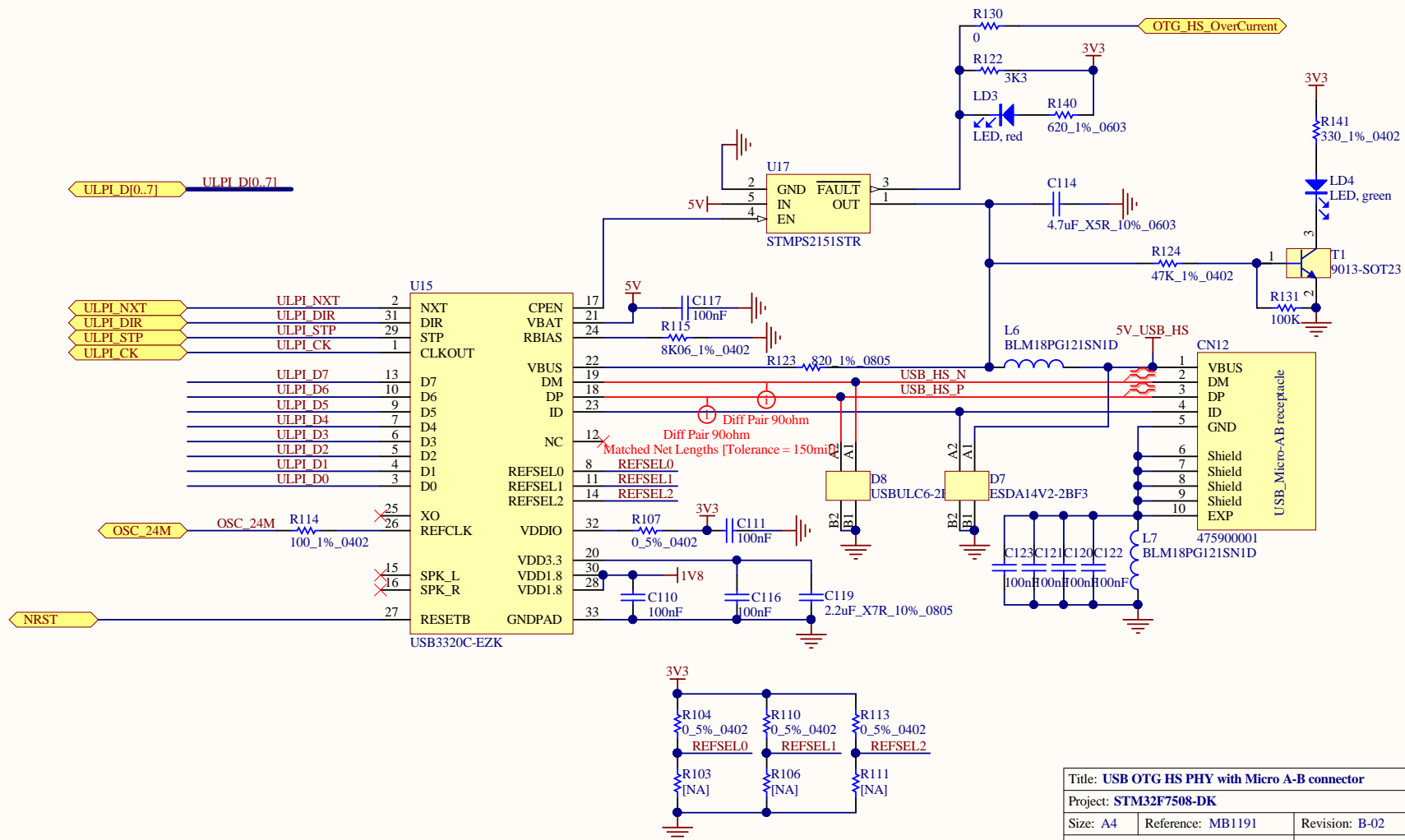




Title: USB OTG FS with Micro A-B connector		
Project: STM32F7508-DK		
Size: A4	Reference: MB1191	Revision: B-02
Date: 9/7/2018	Sheet: 8 of 13	

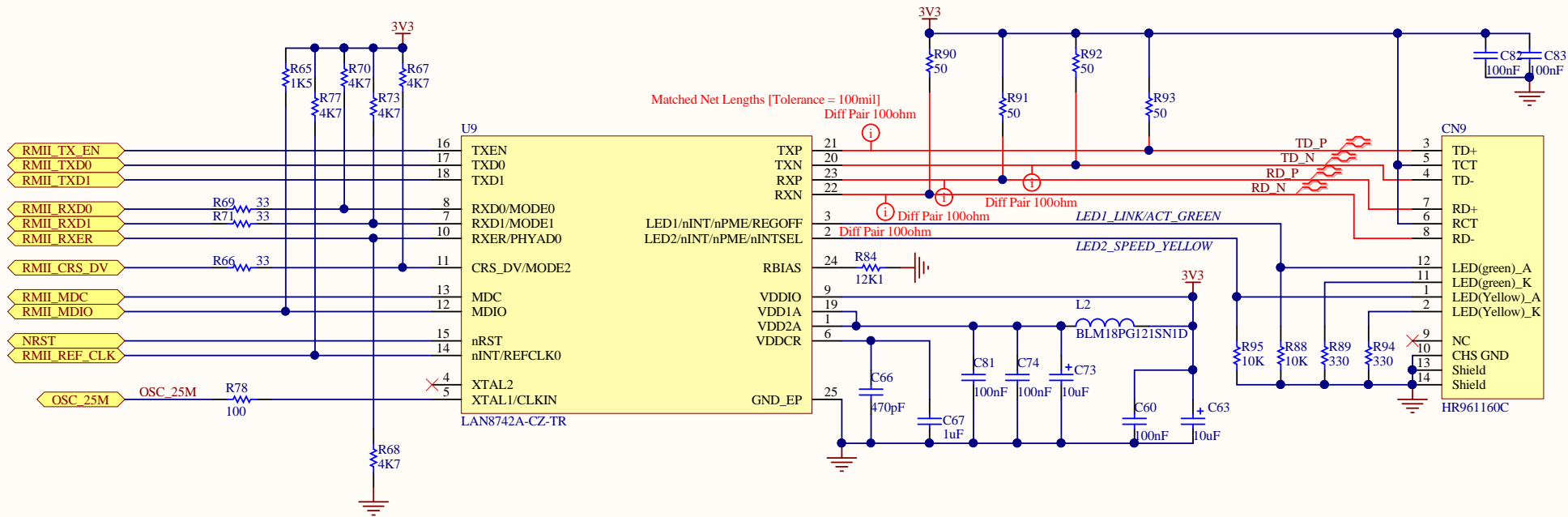






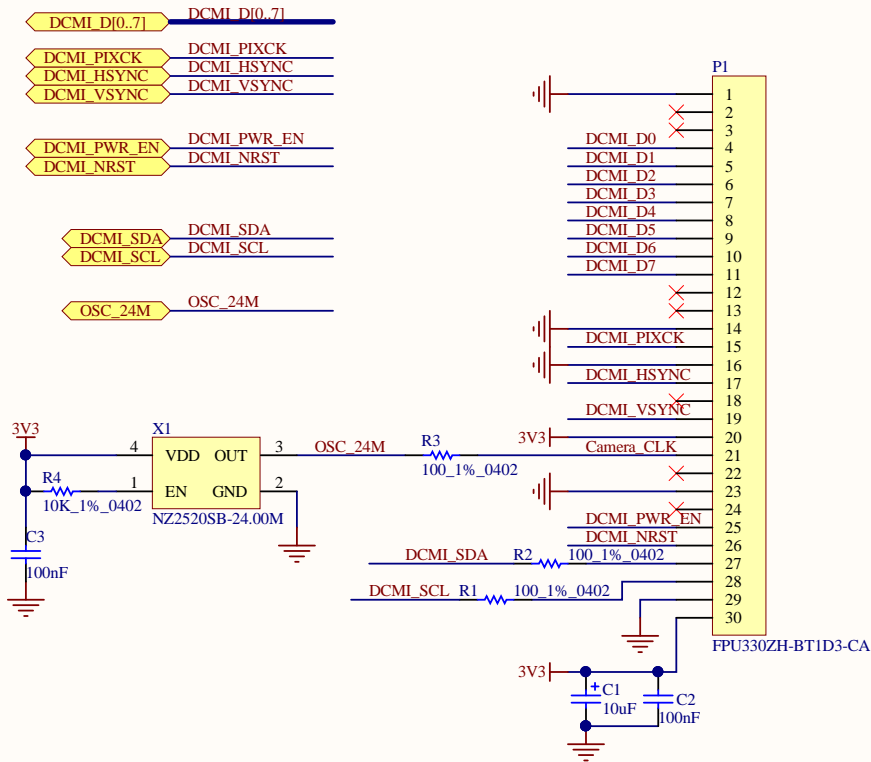
Title: USB OTG HS PHY with Micro A-B connector		
Project: STM32F7508-DK		
Size: A4	Reference: MB1191	Revision: B-02
Date: 9/7/2018	Sheet: 10 of 13	





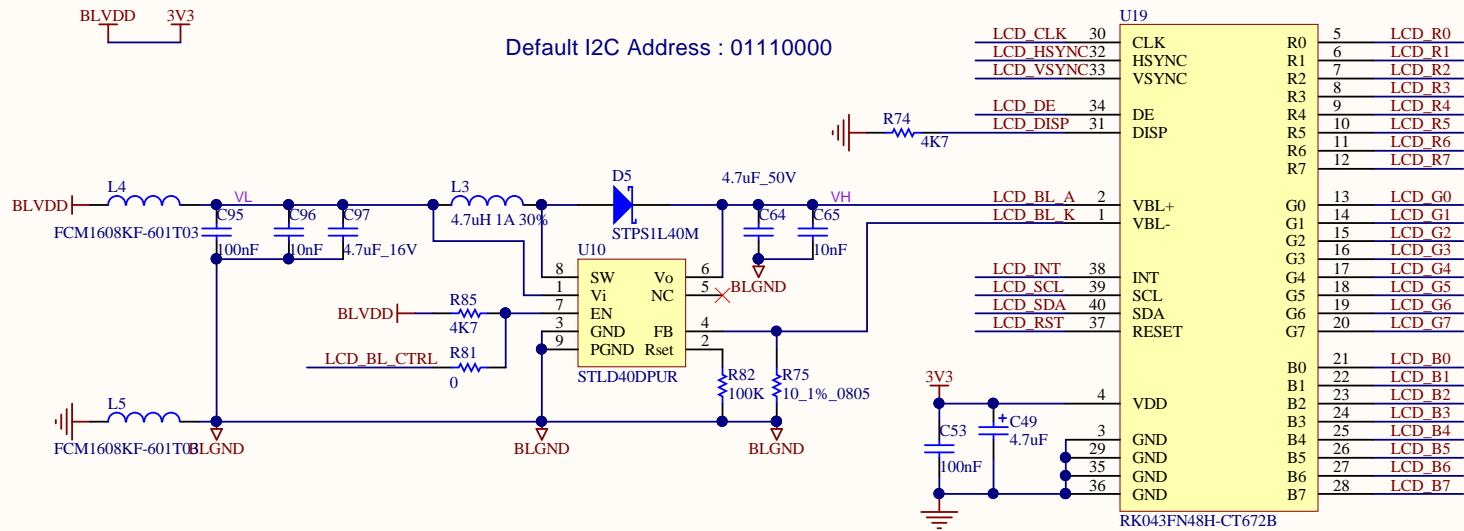
Title: Ethernet PHY with RJ45 connector		
Project: STM32F7508-DK		
Size: A4	Reference: MB1191	Revision: B-02
Date: 9/7/2018	Sheet: 11 of 13	





Title: External Camera connector		
Project: STM32F7508-DK		
Size: A4	Reference: MB1191	Revision: B-02
Date: 9/7/2018	Sheet: 12 of 13	





Backlight driver & PFC of LCD panel

LCD_G[0..7]	LCD_G[0..7]
LCD_B[0..7]	LCD_B[0..7]
LCD_R[0..7]	LCD_R[0..7]
LCD_BL_CTRL	LCD_BL_CTRL
LCD_CLK	LCD_CLK
LCD_HSYNC	LCD_HSYNC
LCD_VSYNC	LCD_VSYNC
LCD_DE	LCD_DE
LCD_DISP	LCD_DISP
LCD_INT	LCD_INT
LCD_RST	LCD_RST
LCD_SCL	LCD_SCL
LCD_SDA	LCD_SDA

U19			
LCD_CLK	30	CLK	R0
LCD_HSYNC	32	HSYNC	R1
LCD_VSYNC	33	VSYNC	R2
LCD_DE	34	DE	R3
LCD_DISP	31	DISP	R4
			R5
			R6
			R7
LCD_BL_A	2	VBL+	G0
LCD_BL_K	1	VBL-	G1
			G2
			G3
LCD_INT	38	INT	G4
LCD_SCL	39	SCL	G5
LCD_SDA	40	SDA	G6
LCD_RST	37	RESET	G7
			B0
			B1
			B2
			B3
			B4
			B5
			B6
			B7
		VDD	4
		GND	29
		GND	35
		GND	36
		GND	36

Title: LCD 4.3" with Capacitive Touch		
Project: STM32F7508-DK		
Size: A4	Reference: MB1191	Revision: B-02
Date: 9/7/2018	Sheet: 13 of 13	