



# NuTiny-SDK-NUC029LAN User Manual

## for NuMicro™ NUC029xAN Series

*The information described in this document is the exclusive intellectual property of Nuvoton Technology Corporation and shall not be reproduced without permission from Nuvoton.*

*Nuvoton is providing this document only for reference purposes of NuMicro™ microcontroller based system design. Nuvoton assumes no responsibility for errors or omissions.*

*All data and specifications are subject to change without notice.*

*For additional information or questions, please contact: Nuvoton Technology Corporation.*



## Table of Contents

1	Overview.....	3
2	Introduction to NuTiny-SDK-NUC029LAN.....	3
2.1	NuTiny-SDK-NUC029LAN Jumper Description.....	4
2.2	Pin Assignment for Extended Connectors.....	5
2.3	NuTiny-SDK-NUC029LAN PCB Placement.....	6
3	Starting to Use NuTiny-SDK-NUC029LAN on the Keil $\mu$ Vision <sup>®</sup> IDE.....	7
3.1	Downloading and Installing Keil $\mu$ Vision <sup>®</sup> IDE Software.....	7
3.2	Downloading and Installing Nuvoton Nu-Link Driver.....	7
3.3	Hardware Setup.....	7
3.4	Example Program.....	8
4	Starting to Use NuTiny-SDK-NUC029LAN on the IAR Embedded Workbench.....	9
4.1	Downloading and Installing IAR Embedded Workbench Software.....	9
4.2	Downloading and Installing Nuvoton Nu-Link Driver.....	9
4.3	Hardware Setup.....	9
4.4	Example Program.....	10
5	NuTiny-SDK-NUC029LAN Schematics.....	11
5.1	NuTiny-EVB-NUC029LAN Schematic.....	11
5.2	Nu-Link-Me Schematic.....	12
6	Downloading NuMicro <sup>™</sup> Related Files from Nuvoton Website.....	13
6.1	Downloading NuMicro <sup>™</sup> Keil $\mu$ Vision <sup>®</sup> IDE Driver.....	13
6.2	Downloading NuMicro <sup>™</sup> IAR EWARM Driver.....	16
6.3	Downloading NuMicro <sup>™</sup> NUC029xAN Series BSP Software Library.....	19
7	Revision History.....	21

## 1 Overview

The NuTiny-SDK-NUC029LAN is a specific development tool for NuMicro™ NUC029xAN series-NUC029LAN/NUC029TAN by which users can develop and verify the application program easily. The NuTiny-SDK-NUC029LAN includes two portions: NuTiny-EVB-NUC029LAN (an evaluation board) and Nu-Link-Me (Debug Adaptor). With the NuTiny-SDK-NUC029LAN, users do not need additional ICE or debug equipment.

## 2 Introduction to NuTiny-SDK-NUC029LAN

The following figure shows the NuTiny-SDK-NUC029LAN for NUC029xAN series, in which the left portion is called NuTiny-EVB-NUC029LAN and the right portion is Debug Adaptor called Nu-Link-Me.

The NuTiny-EVB-NUC029LAN is similar to other development board. Users can use it to develop and verify applications to emulate the real behavior. In fact, the real chip NUC029LAN is mounted on the board. The NuTiny-EVB-NUC029LAN can be a real system controller to design user target system.

The Nu-Link-Me is a Debug Adaptor which connects the USB port of your PC to your target system (via Serial Wired Debug Port) and allows you to program and debug embedded programs on the target hardware. To use the Nu-Link-Me Debug adaptor with Keil or IAR, please refer to “Nuvoton NuMicro™ IAR ICE Driver User Manual” or Nuvoton NuMicro™ Keil ICE Driver User Manual” for details.

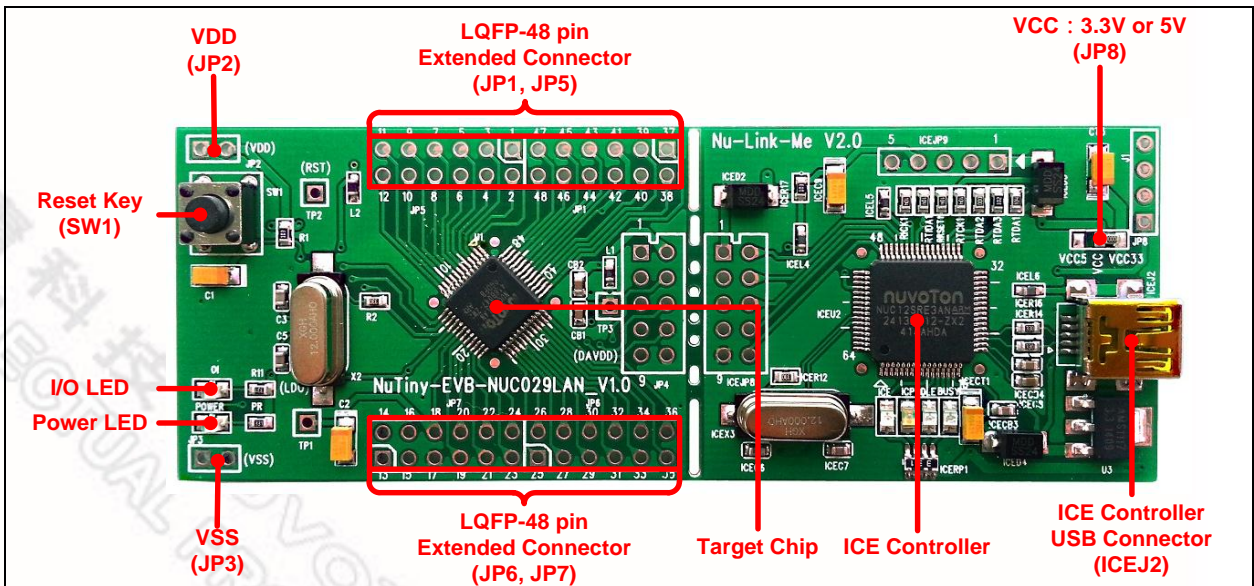


Figure 2-1 NuTiny-SDK-NUC029LAN (Green PCB Board)



## 2.1 NuTiny-SDK-NUC029LAN Jumper Description

### 2.1.1 Power Settings

- **JP2**: VDD Voltage connector in NuTiny-EVB-NUC029LAN
- **ICEJ2**: USB port in Nu-Link-Me

Model	JP8	ICEJ2 USB port	JP2 VDD	MCU Voltage
Model 1	Select VCC33 (default)	Connect to PC	DC 3.3V output	DC 3.3V
Model 2	X	X	DC 2.5 V ~ 5.5 V Input	Voltage by <b>JP2</b> input

X: Unused.

### 2.1.2 Debug Connectors

- **JP4**: Connector in target board (NuTiny-EVB-NUC029LAN) for connecting with Nuvoton ICE adaptor (Nu-Link-Me)
- **ICEJP8**: Connector in ICE adaptor (Nu-Link-Me) for connecting with a target board (e.g. NuTiny-EVB-NUC029LAN)

### 2.1.3 USB Connectors

- **ICEJ2**: Mini USB Connector in Nu-Link-Me connected to a PC USB port

### 2.1.4 Extended Connectors

- **JP1**, **JP5**, **JP6** and **JP7**: Show all chip pins in NuTiny-EVB-NUC029LAN

### 2.1.5 Buttons

- **SW1**: Reset button in NuTiny-EVB-NUC029LAN

### 2.1.6 Power Connectors

- **JP2**: VDD connector in NuTiny-EVB-NUC029LAN
- **JP3**: VSS connector in NuTiny-EVB-NUC029LAN



## 2.2 Pin Assignment for Extended Connectors

The NuTiny-EVB-NUC029LAN provides the NUC029LAN target chip on board and the extended connectors (**JP1**, **JP5**, **JP6** and **JP7**) for LQFP48-pin. The following table is the pin assignment for NUC029LAN.

Pin No	Pin Name	Pin No	Pin Name
01	P1.5,MOSI_0,AIN5,ACMP0_P	25	P2.5,AD13,PWM5,SDA1
02	P1.6,MISO_0,AIN6,ACMP2_N	26	P2.6,AD14,PWM6,ACMP1_O
03	P1.7,SCLK0,AIN7,ACMP2_P	27	P2.7,AD15,PWM7
04	/RST	28	P4.4,nCS,SCL1
05	P3.0,RXD,ACMP1_N	29	P4.5,ALE,SDA1
06	AV <sub>SS</sub>	30	P4.6,ICE_CLK
07	P3.1,TXD,ACMP1_P	31	P4.7,ICE_DATA
08	P3.2,nINT0,STADC,T0EX	32	P0.7,AD7,SCLK1
09	P3.3,nINT1,MCLK,T1EX	33	P0.6,AD6,MISO_1
10	P3.4, T0,SDA0	34	P0.5,AD5,MOSI_1
11	P3.5,T1,SCL0,CKO	35	P0.4,AD4,SPISS1
12	P4.3,PWM3	36	P4.1,PWM1,T3EX
13	P3.6,nWR,CKO,ACMP0_O	37	P0.3,AD3,RTS0,RXD
14	P3.7,nRD	38	P0.2,AD2,CTS0,TXD
15	XTAL2	39	P0.1,AD1,RTS1,RXD1,ACMP3_N
16	XTAL1	40	P0.0,AD0,CTS1,TXD1,ACMP3_P
17	V <sub>SS</sub>	41	V <sub>DD</sub>
18	LDO_CAP	42	AV <sub>DD</sub>
19	P2.0,AD8,PWM0	43	P1.0,AIN0,T2,nWRL
20	P2.1,AD9,PWM1	44	P1.1,AIN1,T3,nWRH
21	P2.2,AD10,PWM2	45	P1.2,AIN2,RXD1
22	P2.3,AD11,PWM3	46	P1.3,AIN3,TXD1
23	P2.4,AD12,PWM4,SCL1	47	P1.4,AIN4,SPISS0,ACMP0_N
24	P4.0,PWM0,T2EX	48	P4.2,PWM2

Table 2-1 Pin Assignment for NUC029LAN



## 2.3 NuTiny-SDK-NUC029LAN PCB Placement

The following figure shows the NuTiny-SDK-NUC029LAN PCB placement.

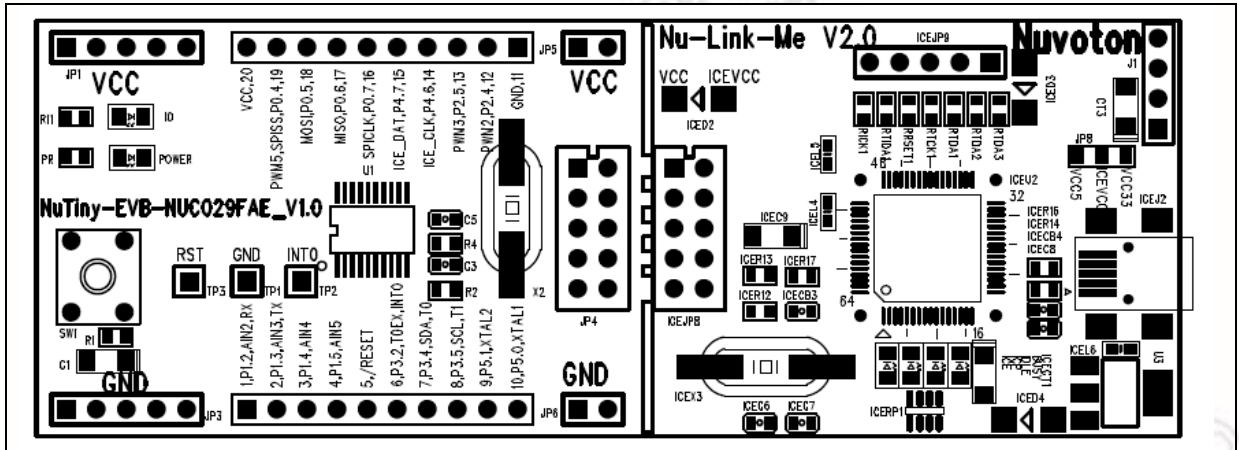


Figure 2-2 NuTiny-SDK-NUC029LAN PCB Placement



## 3 Starting to Use NuTiny-SDK-NUC029LAN on the Keil $\mu$ Vision<sup>®</sup> IDE

### 3.1 Downloading and Installing Keil $\mu$ Vision<sup>®</sup> IDE Software

Please connect to the Keil company website (<http://www.keil.com>) to download the Keil  $\mu$ Vision<sup>®</sup> IDE and install the RVMDK.

### 3.2 Downloading and Installing Nuvoton Nu-Link Driver

Please connect to Nuvoton NuMicro<sup>™</sup> website (<http://www.nuvoton.com/NuMicro>) to download the “NuMicro<sup>™</sup> Keil  $\mu$ Vision<sup>®</sup> IDE driver” file. Please refer to *section 6.1* for the detailed download flow. After the Nu-Link driver is downloaded, please unzip the file and execute the “Nu-Link\_Keil\_Driver.exe” to install the driver.

### 3.3 Hardware Setup

The hardware setup is shown in the following figure.



Figure 3-1 NuTiny-SDK-NUC029LAN Hardware Setup

## 3.4 Example Program

This example demonstrates how to download and debug an application on a NuTiny-SDK-NUC029LAN board.

The example file can be found in the directory list shown in the following figure.

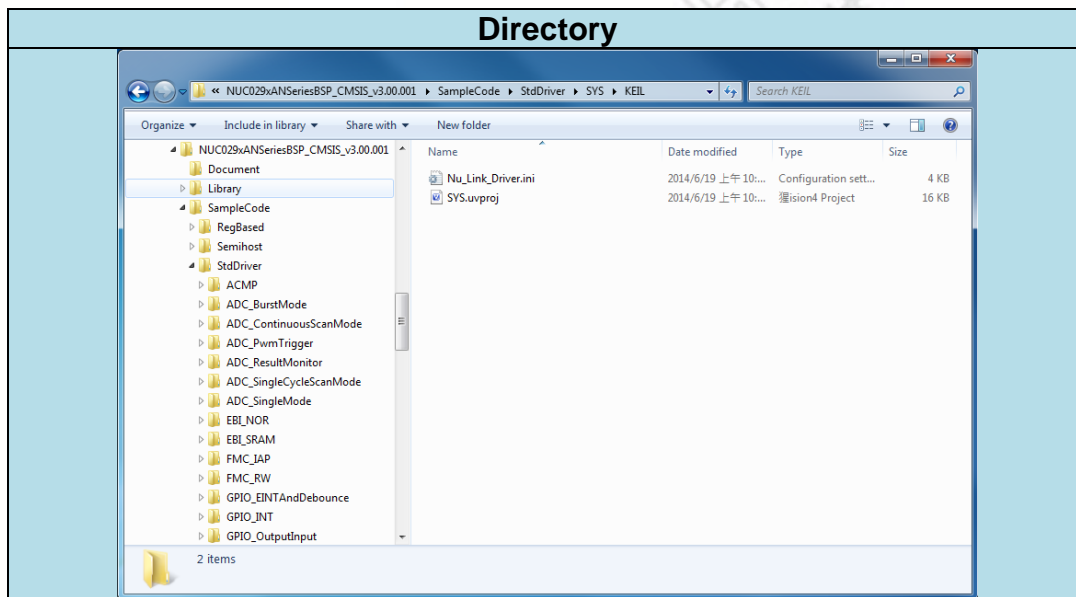


Figure 3-2 Example Directory

To use this example:

The I/O LED on the NuTiny-EVB-NUC029LAN board will turn on.

- **Start µVision®**
- **Project – Open**  
Open the SYS.uvproj project file
- **Project – Build**  
Compile and link the SYS application
- **Flash – Download**  
Program the application code into on-chip Flash ROM
- **Start Debug mode**  
When using the debugger commands, you may:
  - ◆ Review variables in the watch window
  - ◆ Single step through code
  - ◆ Reset the device
  - ◆ Run the application



## 4 Starting to Use NuTiny-SDK-NUC029LAN on the IAR Embedded Workbench

### 4.1 Downloading and Installing IAR Embedded Workbench Software

Please connect to IAR company website (<http://www.iar.com>) to download the IAR Embedded Workbench and install the EWARM.

### 4.2 Downloading and Installing Nuvoton Nu-Link Driver

Please connect to Nuvoton Company NuMicro™ website (<http://www.nuvoton.com/NuMicro>) to download “NuMicro™ IAR EWARM Driver” file. Please refer to *section 6.2* for the detail download flow. After the Nu-Link driver is downloaded, please unzip the file and execute the “Nu-Link\_IAR\_Driver.exe” to install the driver.

### 4.3 Hardware Setup

The hardware setup is shown in the following figure.



Figure 4-1 NuTiny-SDK-NUC029LAN Hardware Setup

## 4.4 Example Program

This example demonstrates how to download and debug an application on a NuTiny-SDK-NUC029LAN board.

The example file can be found in the directory list shown in the following figure.

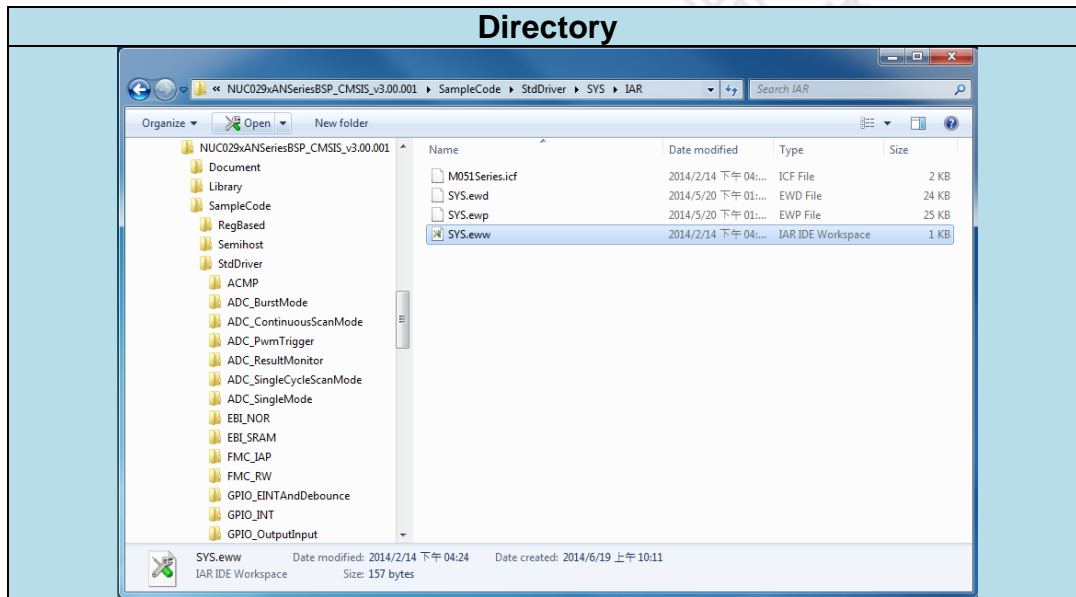








Figure 4-2 Example Directory

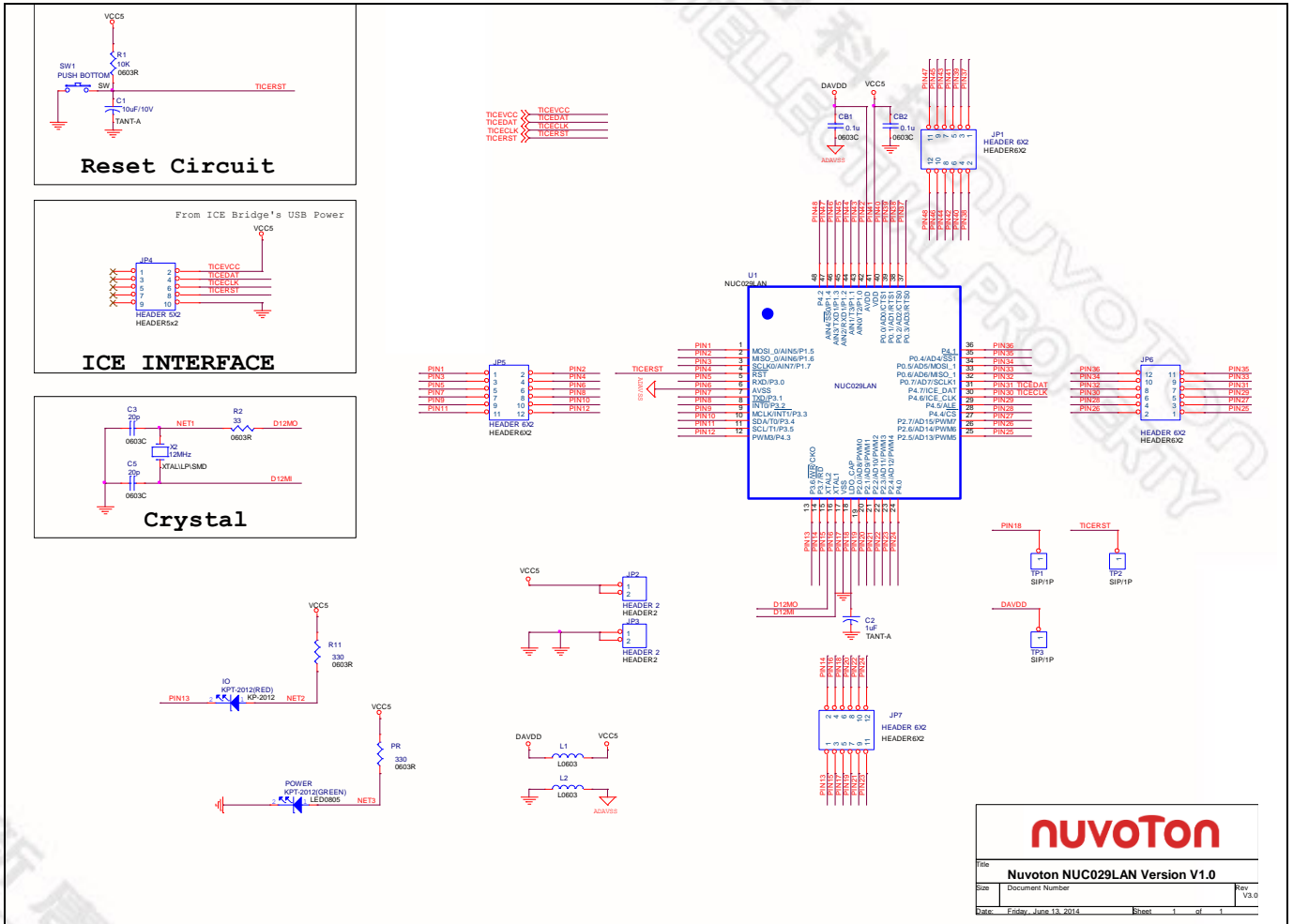
To use this example:

The I/O LED on the NuTiny-EVB-NUC029LAN board will turn on.

-  **Start IAR Embedded Workbench**
- **File-Open-Workspace**  
Open the SYS.eww workspace file
-  **Project - Make**  
Compile and link the SYS application
-  **Project – Download and Debug**  
Program the application code into on-chip Flash ROM
  - ◆  Single step through code
  - ◆  Reset the device
  - ◆  Run the application

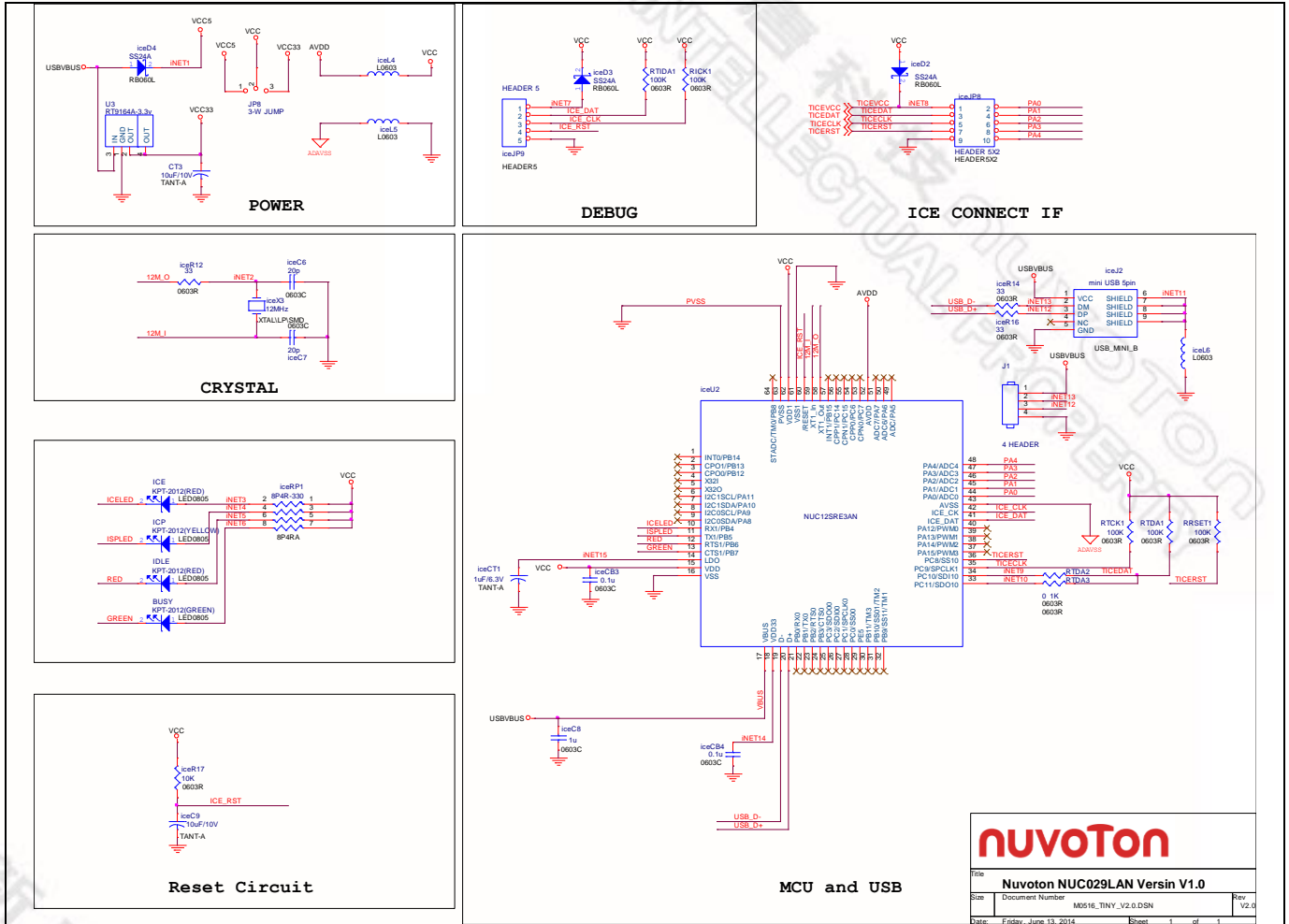
## 5 NuTiny-SDK-NUC029LAN Schematics

### 5.1 NuTiny-EVB-NUC029LAN Schematic



File:	Nuoton NUC029LAN Version V1.0		
Size:	Document Number		Rev. V3.0
Date:	Friday, June 13, 2014	Sheet 1 of 1	

## 5.2 Nu-Link-Me Schematic





## 6 Downloading NuMicro™ Related Files from Nuvoton Website

### 6.1 Downloading NuMicro™ Keil µVision® IDE Driver

<p><b>Step1</b></p>	<p>Visit the Nuvoton NuMicro™ website: <a href="http://www.nuvoton.com/NuMicro">http://www.nuvoton.com/NuMicro</a>.</p>
<p><b>Step2</b></p>	<p>The screenshot shows the Nuvoton website interface. A yellow oval labeled '2-1. Move to "Support"' points to the 'Support' link in the top navigation bar. A red dashed box highlights the 'Support' dropdown menu, which includes 'Learning', 'Product Related Information', 'Tool &amp; Software', 'Reference Design', 'FAQ', 'Sales Support', 'Technical Support', and 'Forum'. A yellow oval labeled '2-2. Click here to enter Tool &amp; Software' points to the 'Tool &amp; Software' option in the dropdown menu. The main content area displays a product matrix for ARM Cortex™-M0 MCUs, categorized by application (Industrial Control, Low Power, USB Application, Automotive Application, Audio Application) and price range (16K, 32K, 64K, 128K, 256K). Various product models like NUC100, Nano120, NUC120, NUC230, NUC140, NUC130, M051, Nano102, Nano112, NUC122, NUC123, and AU9110 are shown. The right sidebar contains sections for 'Online Support', 'Featured Products', 'Featured Videos', and 'Featured Applications'.</p>



**Step3**

The screenshot shows the NuvoTon website's 'Development Tool Hardware' page. The breadcrumb trail is 'Home > Support > Tool & Software > Development Tool Hardware'. The left sidebar contains a tree view with 'Software' highlighted in a red dashed box. A yellow callout bubble points to this link with the text 'Click here to enter Software download page'. The main content area is divided into three columns: 'Development' (highlighted in red), 'Mass Production' (highlighted in blue), and 'Upgrade' (highlighted in yellow). The 'Development' column includes links for 'Evaluation Board', 'Customer Target Board', and 'NuTiny Board', with logos for KEIL and IAR SYSTEMS. The 'Mass Production' column includes 'On-Line In Circuit Programming', 'Off-Line In Circuit Programming', and 'IC Programming'. The 'Upgrade' column includes 'In System Programming' and 'Through' options like UART, I2C, SPI, CAN, and I/O. On the right, there is a banner for 'NuMicro M4 MCU NUC472 with Ethernet MAC' and sections for 'Events' and 'News'.

新唐科技 NUVOTON  
INTELLECTUAL PROPERTY

<b>Step4</b>	<b>Programmer Software Tools Package</b>																		
	<table border="1"> <thead> <tr> <th>File name</th> <th>Description</th> <th>Version</th> <th>Date</th> </tr> </thead> <tbody> <tr> <td>  ICP Programming Tool V1.25.6287.zip   Revision History                 </td> <td>NuMicro ICP tool &amp; user manual</td> <td>V1.25.6287</td> <td>2014-01-16</td> </tr> <tr> <td>  ISP Programming Tool V1.44.zip   Revision History                 </td> <td>NuMicro ISP Programming Tool &amp; user manual</td> <td>V1.44</td> <td>2014-01-20</td> </tr> <tr> <td>  NuGang Programmer V6.21.zip   Revision History                 </td> <td>NuMicro NuGang Programmer software &amp; user manual</td> <td>V6.21</td> <td>2014-01-24</td> </tr> </tbody> </table>				File name	Description	Version	Date	ICP Programming Tool V1.25.6287.zip Revision History	NuMicro ICP tool & user manual	V1.25.6287	2014-01-16	ISP Programming Tool V1.44.zip Revision History	NuMicro ISP Programming Tool & user manual	V1.44	2014-01-20	NuGang Programmer V6.21.zip Revision History	NuMicro NuGang Programmer software & user manual	V6.21
File name	Description	Version	Date																
ICP Programming Tool V1.25.6287.zip Revision History	NuMicro ICP tool & user manual	V1.25.6287	2014-01-16																
ISP Programming Tool V1.44.zip Revision History	NuMicro ISP Programming Tool & user manual	V1.44	2014-01-20																
NuGang Programmer V6.21.zip Revision History	NuMicro NuGang Programmer software & user manual	V6.21	2014-01-24																
	<p style="text-align: center;">Click here to download the file.</p>																		
	<b>Nu-Link Driver</b>																		
	<table border="1"> <thead> <tr> <th>File name</th> <th>Description</th> <th>Version</th> <th>Date</th> </tr> </thead> <tbody> <tr> <td>  Nu-Link Driver for Keil RVMDK V1.25.6287.zip   Revision History                 </td> <td>This driver is to support Nu-Link to work under Keil RVMDK Development Environment for all NuMicro Family Devices.</td> <td>V1.25.6287</td> <td>2014-01-16</td> </tr> <tr> <td>  Nu-Link Driver for IAR EWARM V1.25.6287.zip   Revision History                 </td> <td>This driver is to support Nu-Link to work under IAR EWARM Development Environment for all NuMicro Family Devices.</td> <td>V1.25.6287</td> <td>2014-01-16</td> </tr> </tbody> </table>				File name	Description	Version	Date	Nu-Link Driver for Keil RVMDK V1.25.6287.zip Revision History	This driver is to support Nu-Link to work under Keil RVMDK Development Environment for all NuMicro Family Devices.	V1.25.6287	2014-01-16	Nu-Link Driver for IAR EWARM V1.25.6287.zip Revision History	This driver is to support Nu-Link to work under IAR EWARM Development Environment for all NuMicro Family Devices.	V1.25.6287	2014-01-16			
File name	Description	Version	Date																
Nu-Link Driver for Keil RVMDK V1.25.6287.zip Revision History	This driver is to support Nu-Link to work under Keil RVMDK Development Environment for all NuMicro Family Devices.	V1.25.6287	2014-01-16																
Nu-Link Driver for IAR EWARM V1.25.6287.zip Revision History	This driver is to support Nu-Link to work under IAR EWARM Development Environment for all NuMicro Family Devices.	V1.25.6287	2014-01-16																
	User Feedback <a href="#">↑ TOP</a>																		
<b>Step5</b>	Download the NuMicro™ Keil μVision® IDE driver.																		

新唐科技 NUVOTON  
 INTELLECTUAL PROPERTY

## 6.2 Downloading NuMicro™ IAR EWARM Driver

**Step1** Visit the Nuvoton NuMicro™ website: <http://www.nuvoton.com/NuMicro>.

**Step2**

The screenshot shows the Nuvoton NuMicro website interface. A yellow oval labeled "2-1. Move to 'Support'" points to the "Support" link in the top navigation bar. A red dashed box highlights the "Support" dropdown menu, with a yellow oval labeled "2-2. Click here to enter Tool & Software" pointing to the "Tool & Software" option. The main content area displays a product matrix for ARM Cortex-M0 MCUs, categorized by core size (16K, 32K, 64K, 128K, 256K) and application (Industrial Control, Low Power, USB Application, Automotive Application, Audio Application). A sidebar on the left lists "ARM Cortex™-M0 MCUs" and "Resources".

As one of the leading Microcontroller (MCU) companies in the world, Nuvoton provides the state-



Register | Login | Language

Search Parametric Search

News | Events | CSR | Human Resources | Investors | Contact Us | Nuvoton Partner

Products Applications Support Foundry Service Buy myNuvoton About Nuvoton

Home > Support > Tool & Software > Development Tool Hardware

**Development Tool Hardware**

- Learning
- Product Related Information
- Tool & Software
  - Development Tool Hardware
  - Development Kit
  - Learning Board
  - Programmer
  - Software**
  - Third Party Tool
- Reference Design
- FAQ
- Sales Support
- Technical Support
- Forum

Click here to enter Software download page

Development Tool Hardware

On-Line In Circuit Programming

Off-Line In Circuit Programming

IC Programming

Upgrade

In System Programming

Through - UART - USB - I2C - SPI - CAN - I/O

NuMicro M4 MCU NUC472 with Ethernet MAC

Events

Nuvoton Technology Hosts 32-bit Cortex™-M4 Ether... 2014-05-02

2014Q1 Investor Conference 2014-04-24

More...

News

Nuvoton Announces Monthly Revenue for May 2014 2014-06-06

Step3

新唐科技 NUVOTON  
INTELLECTUAL PROPERTY

<b>Step4</b>	<b>Programmer Software Tools Package</b>																		
	<table border="1"> <thead> <tr> <th>File name</th> <th>Description</th> <th>Version</th> <th>Date</th> </tr> </thead> <tbody> <tr> <td>  ICP Programming Tool V1.25.6287.zip   Revision History                 </td> <td>NuMicro ICP tool &amp; user manual</td> <td>V1.25.6287</td> <td>2014-01-16</td> </tr> <tr> <td>  ISP Programming Tool V1.44.zip   Revision History                 </td> <td>NuMicro ISP Programming Tool &amp; user manual</td> <td>V1.44</td> <td>2014-01-20</td> </tr> <tr> <td>  NuGang Programmer V6.21.zip   Revision History                 </td> <td>NuGang Programmer software &amp; user manual</td> <td>V6.21</td> <td>2014-01-24</td> </tr> </tbody> </table>				File name	Description	Version	Date	ICP Programming Tool V1.25.6287.zip Revision History	NuMicro ICP tool & user manual	V1.25.6287	2014-01-16	ISP Programming Tool V1.44.zip Revision History	NuMicro ISP Programming Tool & user manual	V1.44	2014-01-20	NuGang Programmer V6.21.zip Revision History	NuGang Programmer software & user manual	V6.21
File name	Description	Version	Date																
ICP Programming Tool V1.25.6287.zip Revision History	NuMicro ICP tool & user manual	V1.25.6287	2014-01-16																
ISP Programming Tool V1.44.zip Revision History	NuMicro ISP Programming Tool & user manual	V1.44	2014-01-20																
NuGang Programmer V6.21.zip Revision History	NuGang Programmer software & user manual	V6.21	2014-01-24																
	<p><b>Nu-Link Driver</b></p> <table border="1"> <thead> <tr> <th>File name</th> <th>Description</th> <th>Version</th> <th>Date</th> </tr> </thead> <tbody> <tr> <td>  Nu-Link Driver for Keil RVMDK V1.25.6287.zip   Revision History                 </td> <td>This driver is to support Nu-Link to work under Keil RVMDK Development Environment for all NuMicro Family Devices.</td> <td>V1.25.6287</td> <td>2014-01-16</td> </tr> <tr> <td>  Nu-Link Driver for IAR EWARM V1.25.6287.zip   Revision History                 </td> <td>This driver is to support Nu-Link to work under IAR EWARM Development Environment for all NuMicro Family Devices.</td> <td>V1.25.6287</td> <td>2014-01-16</td> </tr> </tbody> </table> <p style="text-align: right;"> User Feedback <a href="#">↑ TOP</a></p>				File name	Description	Version	Date	Nu-Link Driver for Keil RVMDK V1.25.6287.zip Revision History	This driver is to support Nu-Link to work under Keil RVMDK Development Environment for all NuMicro Family Devices.	V1.25.6287	2014-01-16	Nu-Link Driver for IAR EWARM V1.25.6287.zip Revision History	This driver is to support Nu-Link to work under IAR EWARM Development Environment for all NuMicro Family Devices.	V1.25.6287	2014-01-16			
File name	Description	Version	Date																
Nu-Link Driver for Keil RVMDK V1.25.6287.zip Revision History	This driver is to support Nu-Link to work under Keil RVMDK Development Environment for all NuMicro Family Devices.	V1.25.6287	2014-01-16																
Nu-Link Driver for IAR EWARM V1.25.6287.zip Revision History	This driver is to support Nu-Link to work under IAR EWARM Development Environment for all NuMicro Family Devices.	V1.25.6287	2014-01-16																
<b>Step5</b>	Download the NuMicro™ IAR EWARM driver.																		

Click here to download the file.

新唐科技 NUVOTON  
INTELLECTUAL PROPERTY





## 6.3 Downloading NuMicro™ NUC029xAN Series BSP Software Library

**Step1** Visit the Nuvoton NuMicro™ website: <http://www.nuvoton.com/NuMicro>.

**Step2**

The screenshot shows the Nuvoton NuMicro website interface. A yellow oval labeled "2-1. Move to 'Support'" points to the "Support" link in the top navigation bar. A red dashed box highlights the "Support" dropdown menu, with a yellow oval labeled "2-2. Click here to enter Tool & Software" pointing to the "Tool & Software" option. The main content area displays a product matrix for ARM Cortex-M0 MCUs, categorized by core size (256K, 128K, 64K, 32K, 16K) and application (Industrial Control, Low Power, USB Application, Automotive Application, Audio Application). A "Support" dropdown menu is open, showing options like Learning, Product Related Information, and Tool & Software. The "Tool & Software" option is highlighted with a red dashed box. The "Support" dropdown menu is also highlighted with a red dashed box. The "Support" dropdown menu is also highlighted with a red dashed box.

As one of the leading Microcontroller (MCU) companies in the world, Nuvoton provides the state-

<p><b>Step3</b></p>	<p>The screenshot shows the NuvoTon website's 'Development Tool Hardware' page. The left sidebar contains a list of links: Learning, Product Related Information, Tool &amp; Software, Development Tool Hardware, Development Kit, Learning Board, Programmer, <b>Software</b> (highlighted with a red dashed box and a yellow callout bubble), Third Party Tool, Reference Design, FAQ, Sales Support, Technical Support, and Forum. The main content area is divided into three columns: 'Development' (with links for Evaluation Board, Customer Target Board, and NuTiny Board), 'Mass Production' (with links for On-Line In Circuit Programming, Off-Line In Circuit Programming, and IC Programming), and 'Upgrade' (with links for In System Programming and Through). A yellow callout bubble with the text 'Click here to enter Software download page' points to the 'Software' link in the sidebar.</p>
<p><b>Step4</b></p>	<p>Download the NuMicro™ NUC029xAN Series CMSIS BSP.</p>

新唐科技 NUVOTON  
INTELLECTUAL PROPERTY



## 7 Revision History

Revision	Date	Description
1.00	Jun. 19, 2014	First version.
1.01	Dec. 24, 2014	Fix the typo on 6.3 Downloading NuMicro™ NUC029xAN Series BSP Software Library Step4.

### Important Notice

Nuvoton Products are neither intended nor warranted for usage in systems or equipment, any malfunction or failure of which may cause loss of human life, bodily injury or severe property damage. Such applications are deemed, "Insecure Usage".

Insecure usage includes, but is not limited to: equipment for surgical implementation, atomic energy control instruments, airplane or spaceship instruments, the control or operation of dynamic, brake or safety systems designed for vehicular use, traffic signal instruments, all types of safety devices, and other applications intended to support or sustain life.

All Insecure Usage shall be made at customer's risk, and in the event that third parties lay claims to Nuvoton as a result of customer's Insecure Usage, customer shall indemnify the damages and liabilities thus incurred by Nuvoton.

---

Please note that all data and specifications are subject to change without notice.  
All the trademarks of products and companies mentioned in this datasheet belong to their respective owners.