

Triple- and Quad-Channel Digital Isolator EVM

CAUTION

This evaluation module (EVM) is made available for isolator parameter performance evaluation only and is not intended for isolation voltage testing. To prevent damage to the EVM, any voltage applied as a supply or digital input/output must be maintained within the 0-V to 5.5-V recommended operating range.

Exceeding the specified input voltage range may cause unexpected operation and/or irreversible damage to the EVM. If there are questions concerning the input voltage range, contact a TI field representative prior to connecting power.

Applying loads outside of the specified output range may result in unintended operation and/or possible permanent damage to the EVM. If there is uncertainty as to the load specification, contact a TI field representative.

During normal EVM operation, case temperatures greater than 60°C may be expected. The EVM is designed to operate properly above 60°C as long as the input and output ranges are maintained within data sheet specifications. When placing measurement probes near these devices during operation, be aware that these devices may be very warm to the touch.

Contents

1	Introduction	2
	1.1 Overview	2
	1.2 The Functional Configurations of the Triple- and Quad-Channel Digital Isolator	2
	1.3 The EVM Schematics of the Triple and Quad Isolators	5
2	EVM Setup and Operation	11
	2.1 Overview	11

List of Figures

1	The ISO7230x and ISO7231x Pinout	3
2	The ISO7240CF, ISO7240x, ISO7241x, and ISO7242x Pinout	3
3	The EVM Top Photograph	4
4	The EVM Bottom Photograph	4
5	The ISO7230x Same-Channel Direction EVM Schematic.....	5
6	The ISO7231x and ISO7631Fx Opposing-Channel Direction Schematic	6
7	The ISO7240CF, ISO7240x and ISO7640Fx Same Channel Direction EVM Schematic	8
8	The ISO7241x and ISO7641Fx Single Opposing-Channel Direction Schematic.....	9
9	The ISO7242x Dual Opposing-Channel Direction Schematic	10
10	Basic EVM Operation with a ISO7241C.....	12
11	Typical Output Waveforms	12

List of Tables

1	ISO7230x EVM	5
2	ISO7231x and ISO7631Fx EVM	7

3	ISO7240CF, ISO7240x and ISO7640Fx EVM	8
4	ISO7241x and ISO7641Fx EVM	9
5	ISO7242x EVM	10

1 Introduction

This user's guide details the evaluation module (EVM) operation of a factory-installed ISO7241C quad-channel digital isolator. However, the EVM board may be reconfigured by a user for evaluation of any of TI's triple- or quad-channel digital isolators.

The EVM may be reconfigured for use with the ISO7230A, ISO7230C, ISO7230M, ISO7240A, ISO7240CF, ISO7240M and ISO7640Fx same-channel direction isolators as well as the ISO7231A, ISO7231C, ISO7231M, ISO7241A, ISO7241M, ISO7242A, ISO7242C, ISO7242M, ISO7631Fx and ISO7641Fx opposing-channel direction isolators. Contact TI for a factory installation of any of these devices.

This guide also explains the user-configurable I/O loads for both triple- and quad-channel isolator EVM configurations and presents a typical laboratory setup with output waveforms.

1.1 Overview

The ISO723x, ISO724x, ISO763x and ISO764X digital isolators have a logic input and output buffer separated by a silicon oxide (SiO²) insulation barrier. Used with isolated power supplies, these devices block high voltage, isolate grounds, and prevent noise currents on a data bus or other circuits from entering the local ground and interfering with or damaging sensitive circuitry.

A binary input signal is conditioned, translated to a balanced signal, and then differentiated by the capacitive isolation barrier. Across the isolation barrier, a differential comparator receives the logic transition information, then sets or resets a flip-flop and the output circuit accordingly. A periodic update pulse is sent across the barrier to ensure the proper dc level of the output. If this dc-refresh pulse is not received for more than 4 μs, the input is assumed to be unpowered or not being actively driven, and a failsafe circuit drives the output to a logic-high state. For ISO7640FM, ISO7640FC, ISO7641FM, ISO7641FC, ISO7631FM and ISO7631FC failsafe is logic low state. For ISO7240CF logic low state if selected.

CAUTION

Note that although these devices provide galvanic isolation of up to 4000 V, this EVM cannot be used for isolation voltage testing. It is designed for the evaluation of device operating parameters only and may be damaged if high voltage (> 5.5 V) is applied anywhere in the circuit.

1.2 The Functional Configurations of the Triple- and Quad-Channel Digital Isolator

The pinouts of the triple-channel digital isolators are displayed in [Figure 1](#). The EVM comes with an ISO7241C installed; however, a user may reconfigure this versatile EVM for use with any of the triple- or quad-channel footprints.

Not that ISO7231x and ISO7631Fx have the same pin out. As does ISO7240x with ISO7640Fx, and ISO7241X with ISO7641Fx.

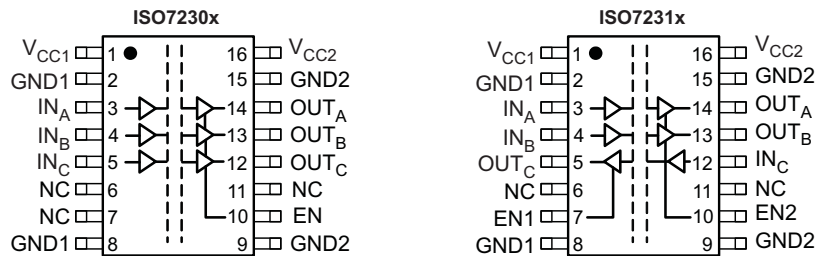


Figure 1. The ISO7230x and ISO7231x Pinout

The ISO7230A, ISO7231A, ISO7230C, and ISO7231C have TTL input thresholds and an input noise-filter that prevents transient pulses of up to 2 ns in duration from being passed to the output of the device.

The ISO7631FC has TTL input thresholds and an input noise-filter that prevents transient pulses of up to 10 ns in duration from being passed to the output of the device.

The ISO7230M and ISO7231M have a CMOS $V_{CC}/2$ input threshold and do not have the noise-filter with the additional propagation delay.

The ISO7631FM has TTL input thresholds and do not have the noise-filter or the additional prop delay.

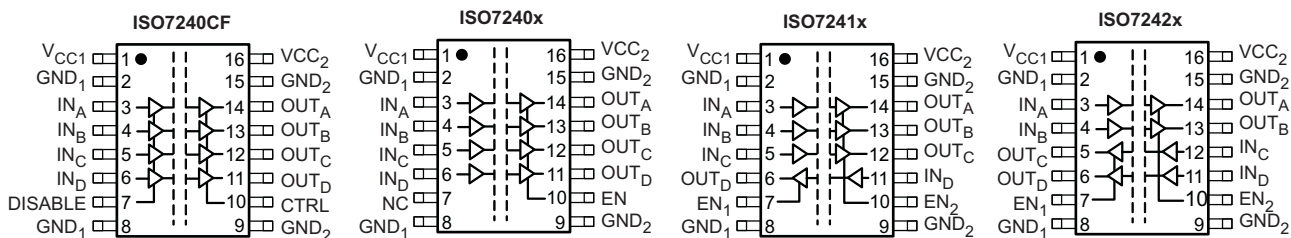


Figure 2. The ISO7240CF, ISO7240x, ISO7241x, and ISO7242x Pinout

The ISO7240A, ISO7240C, ISO7241A, ISO7241C, ISO7242A, and ISO7242C have TTL input thresholds and an input noise-filter that prevents transient pulses of up to 2 ns in duration from being passed to the output of the device.

The ISO7640FC and ISO7641FC have TTL input thresholds and an input noise-filter that prevents transient pulses of up to 10 ns in duration from being passed to the output of the device.

The ISO7240M, ISO7241M, and ISO7242M have a CMOS $V_{CC}/2$ input threshold and do not have the noise-filter with the additional propagation delay.

The ISO7640FM and ISO7641FM have TTL input thresholds and do not have the noise-filter or the additional prop delay

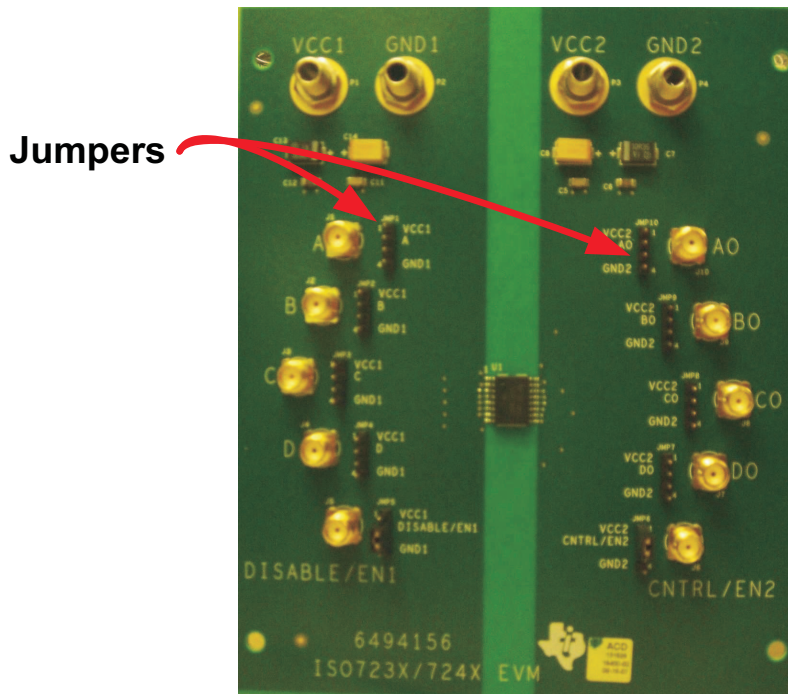


Figure 3. The EVM Top Photograph

The 4-pin jumpers on top of the EVM provide for an input or output pin to be tied to either Vcc or ground. The jumper also provides scope probe access to each pin.

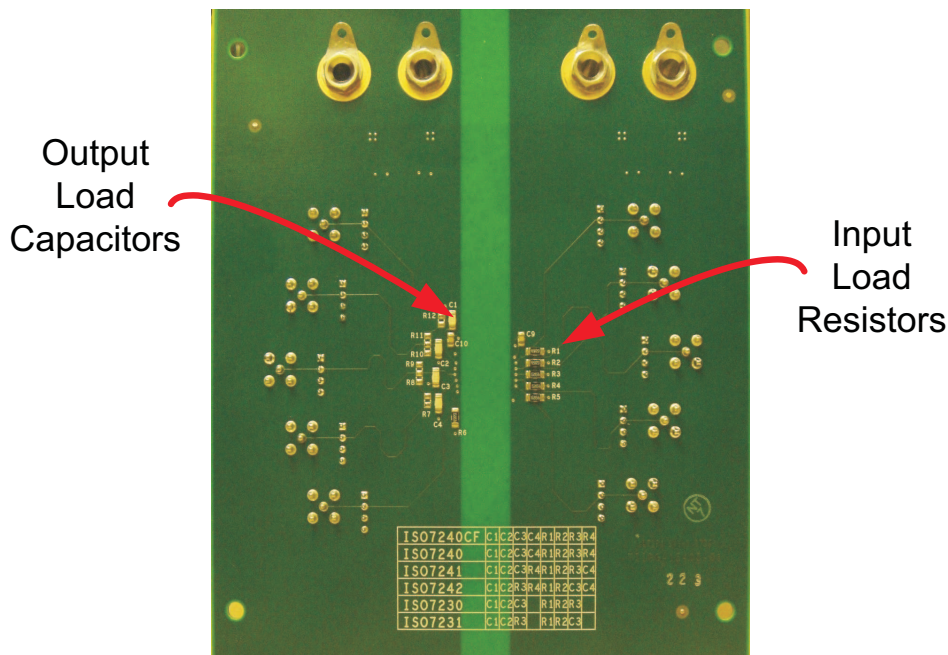


Figure 4. The EVM Bottom Photograph

Each channel is configured with a 50-Ω load resistor on each input, labeled R1 through R4, and a 4.7-pF load on each channel output labeled C1 through C4. Note that each channel may be configured for operation in either direction by simply switching the input load resistor with the output load capacitor.

For example, in [Figure 6](#), because the ISO7231 has the bottom channel configured in the opposing direction, R3 and C3 have changed place from that in [Figure 5](#). This is all that is required to reconfigure a channel direction.

A user may also evaluate varied input and output loading conditions by replacing the factory-installed 1203 footprint loads.

1.3 The EVM Schematics of the Triple and Quad Isolators

This multifunctional EVM is designed with the signal paths displayed in [Figure 1](#), [Figure 5](#), and [Figure 6](#) for the evaluation of the ISO7230x, ISO7231x and ISO7631Fx triple-channel isolators.

The functional signal path schematics of the ISO7240CF, ISO7240x and ISO7640Fx are presented in [Figure 2](#) and [Figure 7](#), whereas the ISO7241x, ISO7641Fx and ISO7242x are displayed in [Figure 2](#), [Figure 8](#), and [Figure 9](#).

Note that each input channel has a 50-Ω load resistor to ground. Each output channel has a 4.7-pF load capacitor to ground that when added to the parallel capacitance of the trace to the SMA connector brings the total capacitive load to 15 pF.

When a channel direction is reversed, the 50-Ω resistor and 4.7-pF capacitor change place, each to the other side of the isolation barrier as displayed in [Figure 6](#) for the opposing channel.

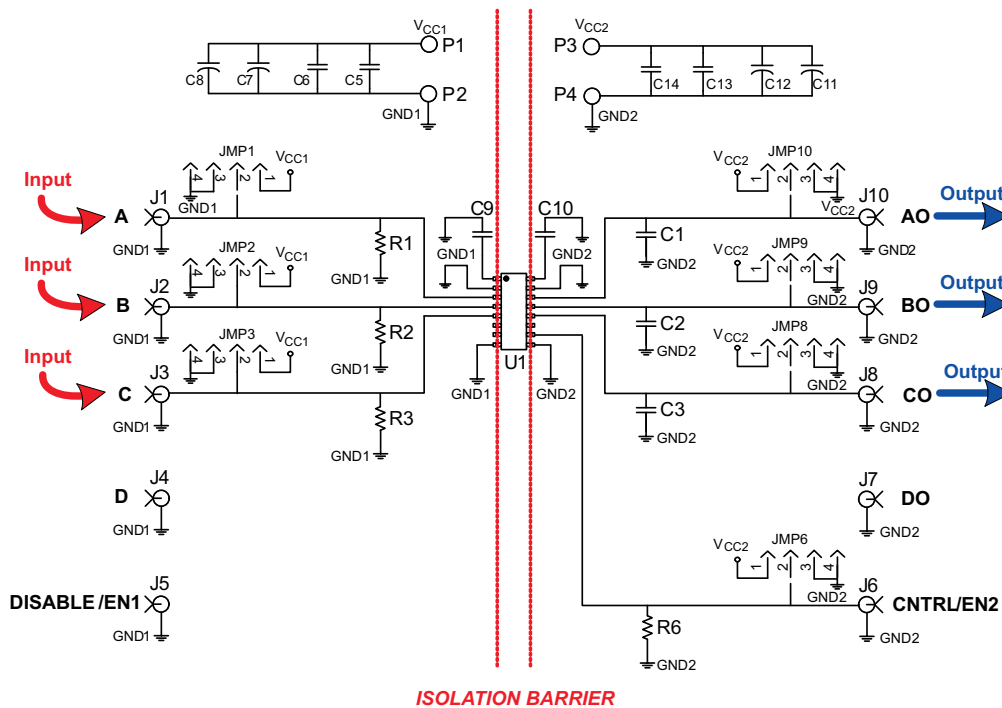


Figure 5. The ISO7230x Same-Channel Direction EVM Schematic

Table 1. ISO7230x EVM

Connection	Label	Description
A	J1	SMA connector to the A input, pin 3
B	J2	SMA connector to the B input, pin 4
C	J3	SMA connector to the C input, pin 5
D	J4	SMA connector (not used)
DISABLE/EN1	J5	SMA connector (not used)
CNTRL/EN2	J6	SMA connector to the output enable input, pin 10
DO	J7	SMA connector (not used)

Table 1. ISO7230x EVM (continued)

Connection	Label	Description
CO	J8	SMA connector to the CO output, pin 12
BO	J9	SMA connector to the BO output, pin 13
AO	J10	SMA connector to the AO output, pin 14
P1	VCC1	Left-side power supply banana jack
P2	GND1	Left-side power ground connection banana jack
P3	VCC2	Right-side power supply banana jack
P4	GND2	Right-side power ground connection banana jack
	JMP1	4-pin jumper to V _{CC1} , input A, GND1
	JMP2	4-pin jumper to V _{CC1} , input B, GND1
	JMP3	4-pin jumper to V _{CC1} , input C, GND1
	JMP4	4-pin jumper (not used)
	JMP5	4-pin jumper (not used)
	JMP6	4-pin jumper to V _{CC2} , EN2, GND2
	JMP7	4-pin jumper (not used)
	JMP8	4-pin jumper to V _{CC2} , output CO, GND2
	JMP9	4-pin jumper to V _{CC2} , output BO, GND2
	JMP10	4-pin jumper to V _{CC2} , output AO, GND2
	R1, R2, R3, R4, R5, R6	50 Ω \pm 1% 1203 footprint input load resistor
	C1, C2, C3, C4	4.7-pF 1203 footprint output load capacitor
	C5, C11	0.1- μ F filter capacitor
	C6, C12	1.0- μ F filter capacitor
	C7, C13	10- μ F electrolytic filter capacitor
	C8, C14	68- μ F electrolytic filter capacitor
	C9, C10	0.01- μ F filter capacitor
	R7, R8, R9, R10, R11, R12	open, not populated

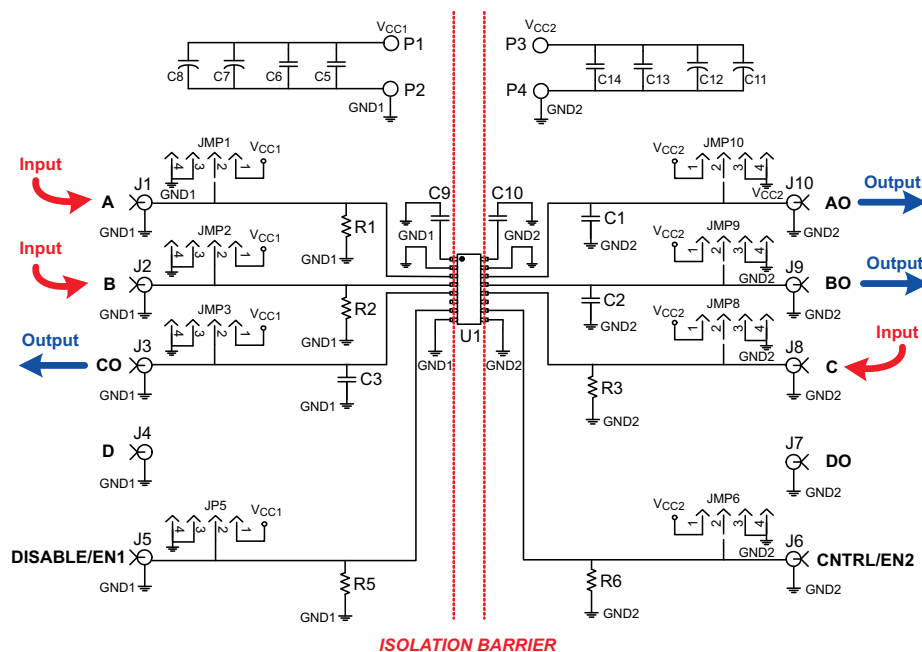
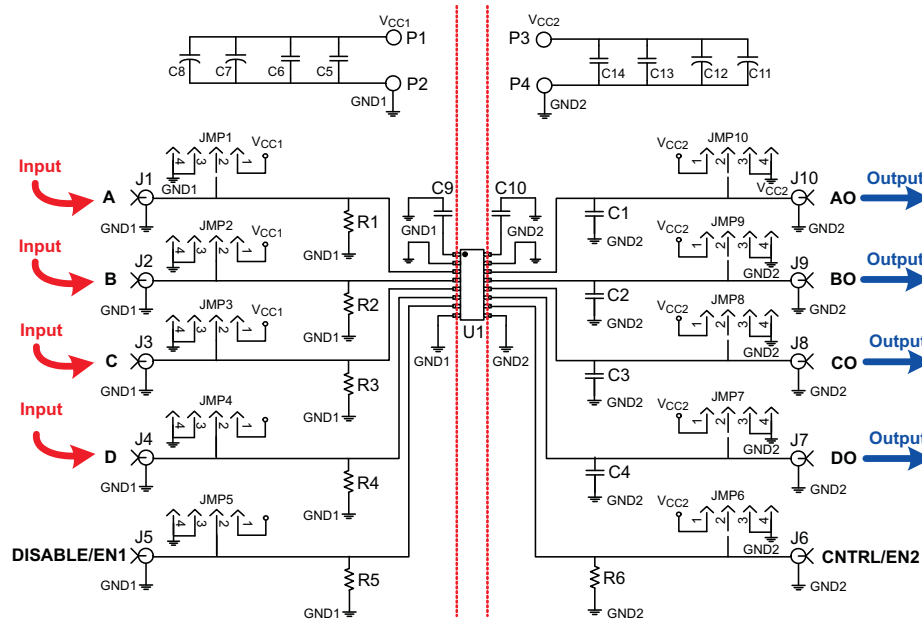

Figure 6. The ISO7231x and ISO7631Fx Opposing-Channel Direction Schematic

Table 2. ISO7231x and ISO7631Fx EVM

Connection	Label	Description
A	J1	SMA connector to the A input, pin 3
B	J2	SMA connector to the B input, pin 4
CO	J3	SMA connector to the CO output, pin 5
D	J4	SMA connector (not used)
DISABLE/EN1	J5	SMA connector to the EN1 output enable, pin 7
CNTRL/EN2	J6	SMA connector to the EN2 output enable, pin 10
DO	J7	SMA connector (not used)
C	J8	SMA connector to the C input, pin 12
BO	J9	SMA connector to the BO output, pin 13
AO	J10	SMA connector to the AO output, pin 14
P1	VCC1	Left-side power supply banana jack
P2	GND1	Left-side power ground connection banana jack
P3	VCC2	Right-side power supply banana jack
P4	GND2	Right-side power ground connection banana jack
	JMP1	4-pin jumper to V _{CC1} , input A, GND1
	JMP2	4-pin jumper to V _{CC1} , input B, GND1
	JMP3	4-pin jumper – VCC1, output CO, GND1
	JMP4	4-pin jumper (not used)
	JMP5	4-pin jumper to V _{CC1} , EN1, GND1
	JMP6	4-pin jumper to V _{CC2} , EN2, GND2
	JMP7	4-pin jumper (not used)
	JMP8	4-pin jumper to V _{CC2} , input C, GND2
	JMP9	4-pin jumper to V _{CC2} , output BO, GND2
	JMP10	4-pin jumper to V _{CC2} , output AO, GND2
	R1, R2, R3, R4, R5, R6	50-Ω ±1% 1203 footprint input load resistor
	C1, C2, C3, C4	4.7-pF 1203 footprint output load capacitor
	C5, C11	0.1-μF filter capacitor
	C6, C12	1-μF filter capacitor
	C7, C13	10-μF electrolytic filter capacitor
	C8, C14	68-μF electrolytic filter capacitor
	C9, C10	0.01-μF filter capacitor
	R7, R8, R9, R10, R11, R12	open, not populated


Figure 7. The ISO7240CF, ISO7240x and ISO7640Fx Same Channel Direction EVM Schematic
Table 3. ISO7240CF, ISO7240x and ISO7640Fx EVM

Connection	Label	Description	
A	J1	SMA connector to the A input, pin 3	
B	J2	SMA connector to the B input, pin 4	
C	J3	SMA connector to the C input, pin 5	
D	J4	SMA connector to the D input, pin 6	
DISABLE/EN1	J5	ISO7240x	SMA (not connected)
		ISO7240CF	SMA connector to the DISABLE, pin 7
CNTRL/EN2	J6	ISO7240x	SMA connector to the EN2 output enable, pin 10
		ISO7240CF	SMA connector to the CNTRL failsafe select, pin 10
DO	J7	SMA connector to the DO output, pin 11	
CO	J8	SMA connector to the CO output, pin 12	
BO	J9	SMA connector to the BO output, pin 13	
AO	J10	SMA connector to the AO output, pin 14	
P1	VCC1	Left-side power supply banana jack	
P2	GND1	Left-side power ground connection banana jack	
P3	VCC2	Right-side power supply banana jack	
P4	GND2	Right-side power ground connection banana jack	
	JMP1	4-pin jumper to V _{CC1} , input A, GND1	
	JMP2	4-pin jumper to V _{CC1} , input B, GND1	
	JMP3	4-pin jumper to V _{CC1} , input C, GND1	
	JMP4	4-pin jumper to V _{CC1} , input D, GND1	
	JMP5	4-pin jumper to V _{CC1} , DISABLE/EN1, GND1	
	JMP6	4-pin jumper to V _{CC2} , CNTRL/EN2, GND2	
	JMP7	4-pin jumper to V _{CC2} , output DO, GND2	
	JMP8	4-pin jumper to V _{CC2} , output CO, GND2	
	JMP9	4-pin jumper to V _{CC2} , output BO, GND2	
	JMP10	4-pin jumper to V _{CC2} , output AO, GND2	
	R1, R2, R3, R4, R5, R6	50-Ω ±1% 1203 footprint input load resistor	

Table 3. ISO7240CF, ISO7240x and ISO7640Fx EVM (continued)

Connection	Label	Description
	C1, C2, C3, C4	4.7-pF 1203 footprint load capacitor
	C5, C11	0.1- μ F filter capacitor
	C6, C12	1- μ F filter capacitor
	C7, C13	10- μ F electrolytic filter capacitor
	C8, C14	68- μ F electrolytic filter capacitor
	C9, C10	0.01- μ F filter capacitor
	R7, R8, R9, R10, R11, R12	open, not populated

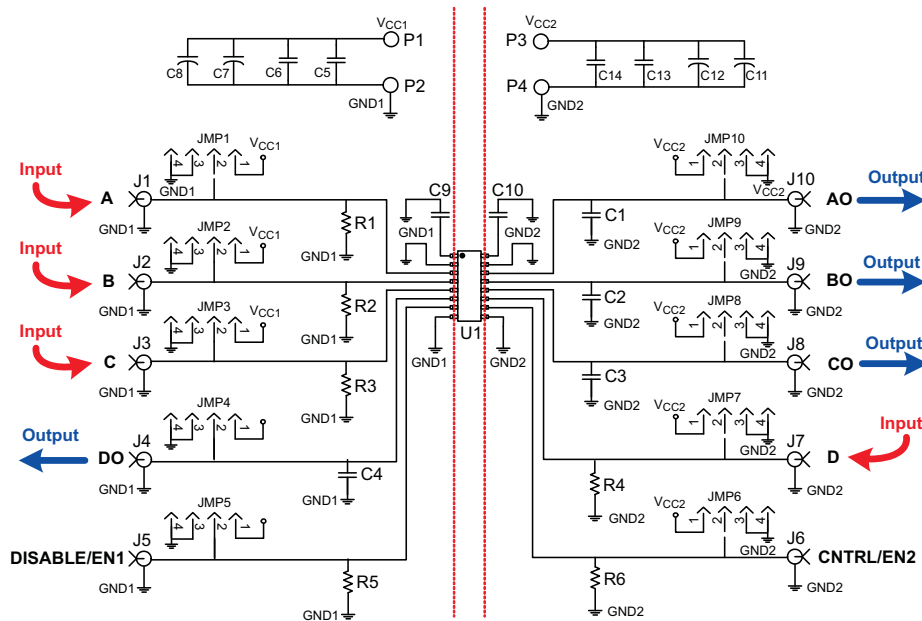


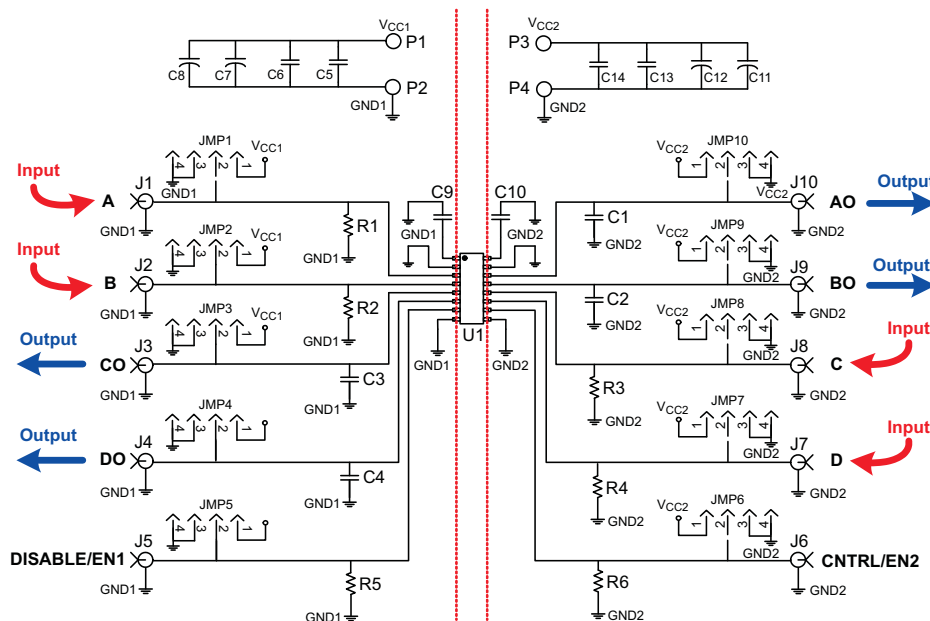
Figure 8. The ISO7241x and ISO7641Fx Single Opposing-Channel Direction Schematic

Table 4. ISO7241x and ISO7641Fx EVM

Connection	Label	Description
A	J1	SMA connector to the A input, pin 3
B	J2	SMA connector to the B input, pin 4
C	J3	SMA connector to the C input, pin 5
DO	J4	SMA connector to the DO output, pin 6
DISABLE/EN1	J5	SMA connector to the EN1 output enable, pin 7
CNTRL/EN2	J6	SMA connector to the EN2 output enable, pin 10
D	J7	SMA connector to the D input, pin 11
CO	J8	SMA connector to the CO output, pin 12
BO	J9	SMA connector to the BO output, pin 13
AO	J10	SMA connector to the AO output, pin 14
P1	VCC1	Left-side power supply banana jack
P2	GND1	Left-side power ground connection banana jack
P3	VCC2	Right-side power supply banana jack
P4	GND2	Right-side power ground connection banana jack
	JMP1	4-pin jumper to V _{CC1} , input A, GND1
	JMP2	4-pin jumper to V _{CC1} , input B, GND1

Table 4. ISO7241x and ISO7641Fx EVM (continued)

Connection	Label	Description
	JMP3	4-pin jumper – V_{CC1} , input C, GND1
	JMP4	4-pin jumper – V_{CC1} , output DO, GND1
	JMP5	4-pin jumper – V_{CC1} , EN1, GND1
	JMP6	4-pin jumper to V_{CC2} , EN2, GND2
	JMP7	4-pin jumper – V_{CC2} , input D, GND2
	JMP8	4-pin jumper – V_{CC2} , output CO, GND2
	JMP9	4-pin jumper to V_{CC2} , output BO, GND2
	JMP10	4-pin jumper to V_{CC2} , output AO, GND2
	R1, R2, R3, R4, R5, R6	50- Ω $\pm 1\%$ 1203 footprint input load resistor
	C1, C2, C3, C4	4.7-pF 1203 footprint output load capacitor
	C5, C11	0.1- μ F filter capacitor
	C6, C12	1- μ F filter capacitor
	C7, C13	10- μ F electrolytic filter capacitor
	C8, C14	68- μ F electrolytic filter capacitor
	C9, C10	0.01- μ F filter capacitor
	R7, R8, R9, R10, R11, R12	open, not populated


Figure 9. The ISO7242x Dual Opposing-Channel Direction Schematic
Table 5. ISO7242x EVM

Connection	Label	Description
A	J1	SMA connector to the A input, pin 3
B	J2	SMA connector to the B input, pin 4
CO	J3	SMA connector to the CO output, pin 5
DO	J4	SMA connector to the DO output, pin 6
DISABLE/EN1	J5	SMA connector to the EN1 output enable, pin 7
CNTRL/EN2	J6	SMA connector to the EN2 output enable, pin 10
D	J7	SMA connector to the D input, pin 11

Table 5. ISO7242x EVM (continued)

Connection	Label	Description
C	J8	SMA connector to the C input, pin 12
BO	J9	SMA connector to the BO output, pin 13
AO	J10	SMA connector to the AO output, pin 14
P1	VCC1	Left-side power supply banana jack
P2	GND1	Left-side power ground connection banana jack
P3	VCC2	Right-side power supply banana jack
P4	GND2	Right-side power ground connection banana jack
	JMP1	4-pin jumper to V _{CC1} , input A, GND1
	JMP2	4-pin jumper to V _{CC1} , input B, GND1
	JMP3	4-pin jumper – V _{CC1} , output CO, GND1
	JMP4	4-pin jumper – V _{CC1} , output DO, GND1
	JMP5	4-pin jumper – V _{CC1} , EN1, GND1
	JMP6	4-pin jumper to V _{CC2} , EN2, GND2
	JMP7	4-pin jumper – V _{CC2} , input D, GND2
	JMP8	4-pin jumper – V _{CC2} , input C, GND2
	JMP9	4-pin jumper to V _{CC2} , output B, GND2
	JMP10	4-pin jumper to V _{CC2} , output A, GND2
	R1, R2, R3, R4, R5, R6	50-Ω ±1% 1203 footprint input load resistor
	C1, C2, C3, C4	4.7-pF 1203 footprint output load capacitor
	C5, C11	0.1-μF filter capacitor
	C6, C12	1-μF filter capacitor
	C7, C13	10-μF electrolytic filter capacitor
	C8, C14	68-μF electrolytic filter capacitor
	C9, C10	0.01-μF filter capacitor
	R7, R8, R9, R10, R11, R12	open, not populated

2 EVM Setup and Operation

This section includes the setup and operation of the EVM for parameter performance evaluation. Typical output waveforms are included

2.1 Overview

The basic setup in [Figure 10](#) has the two power supplies required to evaluate isolator performance with any combination of 3.3

V or 5

V on either side. If both sides are to be evaluated at the same supply voltage, only one power supply is required and can be used to power both sides of the EVM.

CAUTION

Note that this EVM is for operating parameter performance evaluation only and not designed for isolation voltage testing. Any voltage applied above the 5.5-V maximum recommended operating voltage of the isolators will damage the EVM.

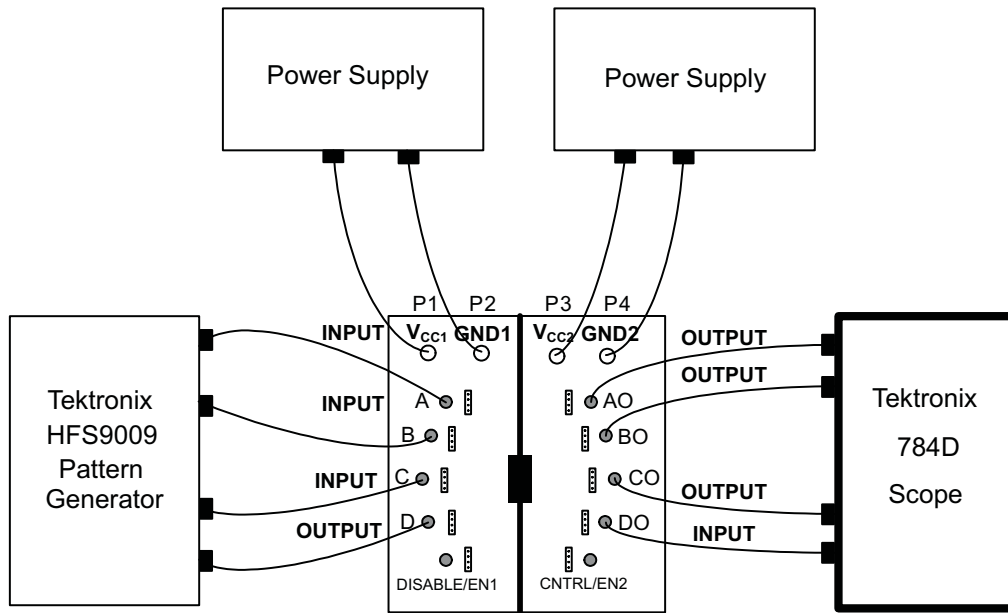


Figure 10. Basic EVM Operation with a ISO7241C

The J1, J2, J3, and J7 inputs to the EVM is a 12.5-MHz pulse displayed on channels 1, 2, 3, and 4 in Figure 11. Note that because the ISO7241C is being used, the DISABLE/EN1 and CNTRL/EN2 inputs are tied to Vcc with the jumpers JMP5 and JMP6 to enable the outputs on each side of the device.

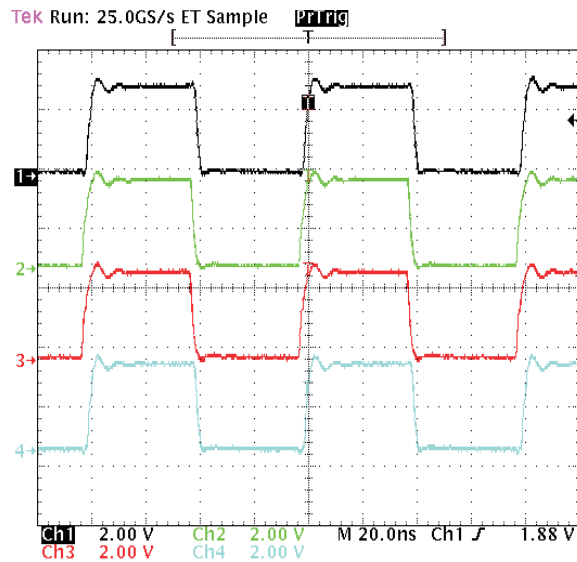


Figure 11. Typical Output Waveforms

Evaluation Board/Kit Important Notice

Texas Instruments (TI) provides the enclosed product(s) under the following conditions:

This evaluation board/kit is intended for use for **ENGINEERING DEVELOPMENT, DEMONSTRATION, OR EVALUATION PURPOSES ONLY** and is not considered by TI to be a finished end-product fit for general consumer use. Persons handling the product(s) must have electronics training and observe good engineering practice standards. As such, the goods being provided are not intended to be complete in terms of required design-, marketing-, and/or manufacturing-related protective considerations, including product safety and environmental measures typically found in end products that incorporate such semiconductor components or circuit boards. This evaluation board/kit does not fall within the scope of the European Union directives regarding electromagnetic compatibility, restricted substances (RoHS), recycling (WEEE), FCC, CE or UL, and therefore may not meet the technical requirements of these directives or other related directives.

Should this evaluation board/kit not meet the specifications indicated in the User's Guide, the board/kit may be returned within 30 days from the date of delivery for a full refund. **THE FOREGOING WARRANTY IS THE EXCLUSIVE WARRANTY MADE BY SELLER TO BUYER AND IS IN LIEU OF ALL OTHER WARRANTIES, EXPRESSED, IMPLIED, OR STATUTORY, INCLUDING ANY WARRANTY OF MERCHANTABILITY OR FITNESS FOR ANY PARTICULAR PURPOSE.**

The user assumes all responsibility and liability for proper and safe handling of the goods. Further, the user indemnifies TI from all claims arising from the handling or use of the goods. Due to the open construction of the product, it is the user's responsibility to take any and all appropriate precautions with regard to electrostatic discharge.

EXCEPT TO THE EXTENT OF THE INDEMNITY SET FORTH ABOVE, NEITHER PARTY SHALL BE LIABLE TO THE OTHER FOR ANY INDIRECT, SPECIAL, INCIDENTAL, OR CONSEQUENTIAL DAMAGES.

TI currently deals with a variety of customers for products, and therefore our arrangement with the user **is not exclusive.**

TI assumes **no liability for applications assistance, customer product design, software performance, or infringement of patents or services described herein.**

Please read the User's Guide and, specifically, the Warnings and Restrictions notice in the User's Guide prior to handling the product. This notice contains important safety information about temperatures and voltages. For additional information on TI's environmental and/or safety programs, please contact the TI application engineer or visit www.ti.com/esh.

No license is granted under any patent right or other intellectual property right of TI covering or relating to any machine, process, or combination in which such TI products or services might be or are used.

FCC Warning

This evaluation board/kit is intended for use for **ENGINEERING DEVELOPMENT, DEMONSTRATION, OR EVALUATION PURPOSES ONLY** and is not considered by TI to be a finished end-product fit for general consumer use. It generates, uses, and can radiate radio frequency energy and has not been tested for compliance with the limits of computing devices pursuant to part 15 of FCC rules, which are designed to provide reasonable protection against radio frequency interference. Operation of this equipment in other environments may cause interference with radio communications, in which case the user at his own expense will be required to take whatever measures may be required to correct this interference.

EVM Warnings and Restrictions

It is important to operate this EVM within the input voltage range of 0 V to 5.5 V and the output voltage range of 0 V to 5.5 V .

Exceeding the specified input range may cause unexpected operation and/or irreversible damage to the EVM. If there are questions concerning the input range, please contact a TI field representative prior to connecting the input power.

Applying loads outside of the specified output range may result in unintended operation and/or possible permanent damage to the EVM. Please consult the EVM User's Guide prior to connecting any load to the EVM output. If there is uncertainty as to the load specification, please contact a TI field representative.

During normal operation, some circuit components may have case temperatures greater than 60°C. The EVM is designed to operate properly with certain components above 60°C as long as the input and output ranges are maintained. These components include but are not limited to linear regulators, switching transistors, pass transistors, and current sense resistors. These types of devices can be identified using the EVM schematic located in the EVM User's Guide. When placing measurement probes near these devices during operation, please be aware that these devices may be very warm to the touch.

Mailing Address: Texas Instruments, Post Office Box 655303, Dallas, Texas 75265
Copyright © 2011, Texas Instruments Incorporated

IMPORTANT NOTICE

Texas Instruments Incorporated and its subsidiaries (TI) reserve the right to make corrections, modifications, enhancements, improvements, and other changes to its products and services at any time and to discontinue any product or service without notice. Customers should obtain the latest relevant information before placing orders and should verify that such information is current and complete. All products are sold subject to TI's terms and conditions of sale supplied at the time of order acknowledgment.

TI warrants performance of its hardware products to the specifications applicable at the time of sale in accordance with TI's standard warranty. Testing and other quality control techniques are used to the extent TI deems necessary to support this warranty. Except where mandated by government requirements, testing of all parameters of each product is not necessarily performed.

TI assumes no liability for applications assistance or customer product design. Customers are responsible for their products and applications using TI components. To minimize the risks associated with customer products and applications, customers should provide adequate design and operating safeguards.

TI does not warrant or represent that any license, either express or implied, is granted under any TI patent right, copyright, mask work right, or other TI intellectual property right relating to any combination, machine, or process in which TI products or services are used. Information published by TI regarding third-party products or services does not constitute a license from TI to use such products or services or a warranty or endorsement thereof. Use of such information may require a license from a third party under the patents or other intellectual property of the third party, or a license from TI under the patents or other intellectual property of TI.

Reproduction of TI information in TI data books or data sheets is permissible only if reproduction is without alteration and is accompanied by all associated warranties, conditions, limitations, and notices. Reproduction of this information with alteration is an unfair and deceptive business practice. TI is not responsible or liable for such altered documentation. Information of third parties may be subject to additional restrictions.

Resale of TI products or services with statements different from or beyond the parameters stated by TI for that product or service voids all express and any implied warranties for the associated TI product or service and is an unfair and deceptive business practice. TI is not responsible or liable for any such statements.

TI products are not authorized for use in safety-critical applications (such as life support) where a failure of the TI product would reasonably be expected to cause severe personal injury or death, unless officers of the parties have executed an agreement specifically governing such use. Buyers represent that they have all necessary expertise in the safety and regulatory ramifications of their applications, and acknowledge and agree that they are solely responsible for all legal, regulatory and safety-related requirements concerning their products and any use of TI products in such safety-critical applications, notwithstanding any applications-related information or support that may be provided by TI. Further, Buyers must fully indemnify TI and its representatives against any damages arising out of the use of TI products in such safety-critical applications.

TI products are neither designed nor intended for use in military/aerospace applications or environments unless the TI products are specifically designated by TI as military-grade or "enhanced plastic." Only products designated by TI as military-grade meet military specifications. Buyers acknowledge and agree that any such use of TI products which TI has not designated as military-grade is solely at the Buyer's risk, and that they are solely responsible for compliance with all legal and regulatory requirements in connection with such use.

TI products are neither designed nor intended for use in automotive applications or environments unless the specific TI products are designated by TI as compliant with ISO/TS 16949 requirements. Buyers acknowledge and agree that, if they use any non-designated products in automotive applications, TI will not be responsible for any failure to meet such requirements.

Following are URLs where you can obtain information on other Texas Instruments products and application solutions:

Products

Audio	www.ti.com/audio
Amplifiers	amplifier.ti.com
Data Converters	dataconverter.ti.com
DLP® Products	www.dlp.com
DSP	dsp.ti.com
Clocks and Timers	www.ti.com/clocks
Interface	interface.ti.com
Logic	logic.ti.com
Power Mgmt	power.ti.com
Microcontrollers	microcontroller.ti.com
RFID	www.ti-rfid.com
OMAP Mobile Processors	www.ti.com/omap
Wireless Connectivity	www.ti.com/wirelessconnectivity

Applications

Communications and Telecom	www.ti.com/communications
Computers and Peripherals	www.ti.com/computers
Consumer Electronics	www.ti.com/consumer-apps
Energy and Lighting	www.ti.com/energy
Industrial	www.ti.com/industrial
Medical	www.ti.com/medical
Security	www.ti.com/security
Space, Avionics and Defense	www.ti.com/space-avionics-defense
Transportation and Automotive	www.ti.com/automotive
Video and Imaging	www.ti.com/video

TI E2E Community Home Page

e2e.ti.com

Mailing Address: Texas Instruments, Post Office Box 655303, Dallas, Texas 75265
Copyright © 2011, Texas Instruments Incorporated