

Keywords: Battery Backup, Li+ Rechargeable cell, +5V, boost converter, battery charger

APPLICATION NOTE 5818

GET A CONSTANT +5V OUTPUT BY SWITCHING BETWEEN A +5V INPUT AND A SINGLE-CELL LI+ RECHARGEABLE CELL

By: Don Corey, Principal Member of Technical Staff, Maxim Integrated

Abstract: Design provides a simple method for maintaining an uninterrupted +5V even while switching between the external +5V supply and a rechargeable single-cell Li+ battery.

Some portable applications need to be powered up from an external +5V wall adapter supply and still require a +5V system voltage when in battery-backup mode. This design provides a simple method of switching between the external +5V supply and a rechargeable single-cell Lithium-ion (Li+) battery. The design will still maintain uninterrupted +5V to the application circuitry.

Three key circuit functions are needed:

1. An efficient Li+ battery charger
2. An efficient boost converter to convert the battery voltage to +5V
3. A low-loss switchover circuit that automatically switches between the main DC power and the backup Li+ battery

As shown in **Figure 1**, U1 is a high-performance battery charger ([MAX8903](#)) capable of supplying up to 2A to charge a single-cell battery. Resistors RIDC and R1SET set the DC-input current limit and charge-current set points, respectively. Since the SYS output (pins 23 and 24) is not used, the charge current will be constant and not dictated by the load current.

Q1 and Q2 are dual PNP transistors, available in an SC74 package. These transistors are used with the p-channel FETs, Q4a and Q4b, to form ideal low-loss ORing diodes. The output of the ORing diode configuration is then fed to a high-efficiency boost converter, U2 ([MAX8815A](#)). When the +5V input voltage is present, the MAX8903 is charging the battery. Q4a conducts, as the voltage on R2 provides a negative bias with respect to the Q4a source voltage. The voltage on the base of Q2b is higher than the voltage on the emitter of Q2a transistor. Consequently, Q2a is turned off and Q2b is turned on because enough base current flows thru R3 to ground. Since Q2b is now fully on, the voltage at the Q2b collector is very close to the output voltage. Q4b is also biased off, as the voltage difference between its gate and source pins are close to zero. When the +5V source is removed or lower than the battery voltage, circuit operation is identical to the above description for Q4b, Q1a, Q1b, R4, and R1.

The MAX8815A (U2) is a highly efficient boost converter that delivers over 1A of continuous current. As the input voltage to the MAX8815A has a range of 3.0V to 5V, this boost converter still provides a highly regulated 5V output even when the input is +5V.¹

There are advantages and disadvantages to placing the boost in the power path of the +5V wall adapter. The disadvantage is with the efficiency. The boost converter will incur more power losses versus a circuit that simply uses a FET switchover circuit to switch between the wall adapter voltage and the boosted battery voltage. There is, however, a nice advantage of using a boost at the output: it will regulate the +5V output and account for IR drops in the adapter cable. Additionally, placing the MAX8815A at the output provides short-circuit protection.

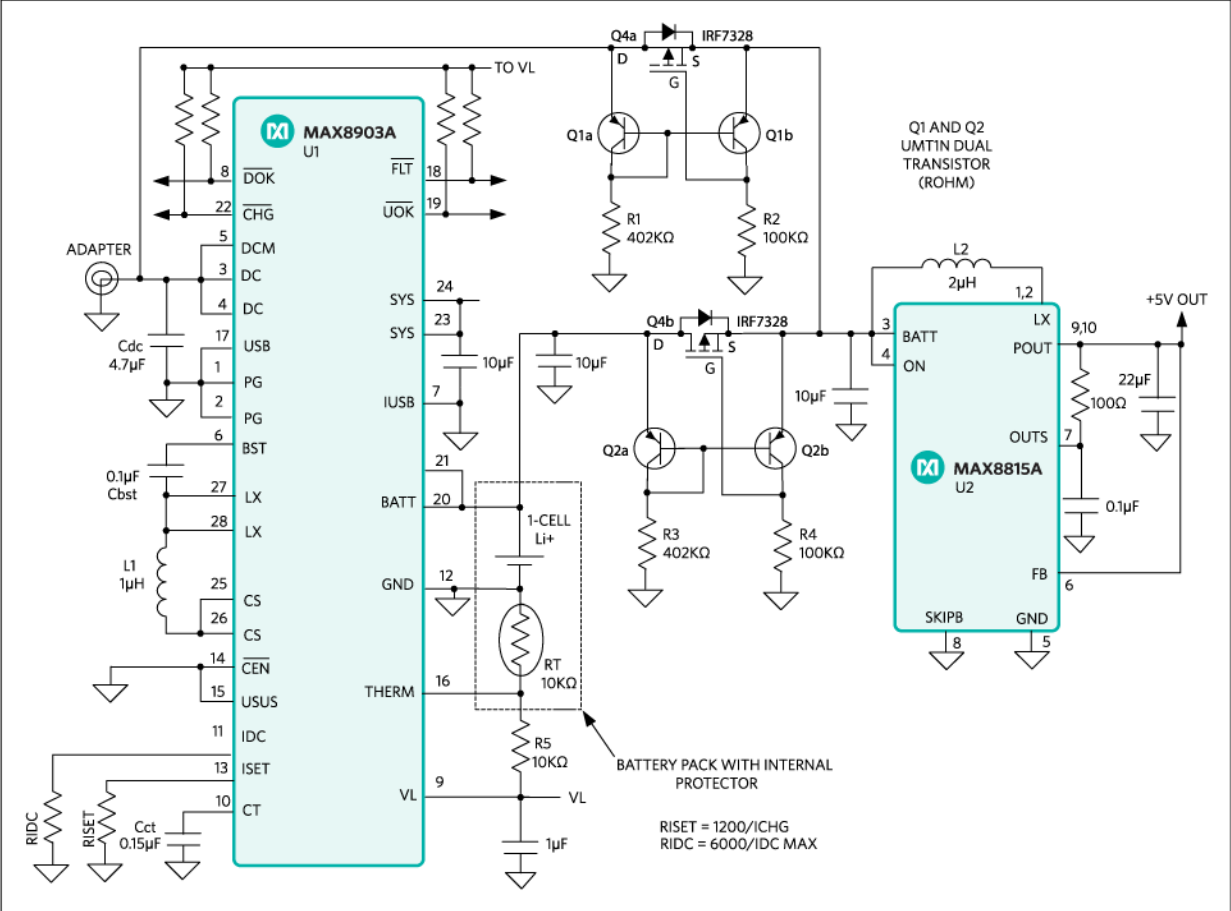


Figure 1. This design switches between the external +5V supply and a rechargeable single-cell Li+ battery to provide a constant +5V output.

Figure 2 shows a way to implement this circuit with fewer parts. This approach uses the SYS output of the MAX8903 as the input to the MAX8815A boost converter. This method eliminates transistors Q1 and Q2 as the switching elements, and uses the internal switchover circuit of the MAX8903.

Reference

1. For more information on the output of the MAX8815A, see the data sheet, TOC6, "OUTPUT VOLTAGE vs. INPUT VOLTAGE," page 4.

A similar version of this article appeared February 20, 2014 in *EE Times Europe*.

Related Parts

MAX8815A	1A, 97% Efficiency, 30µA Quiescent Current, Step-Up Converter with True Shutdown	Free Samples
MAX8903A	2A 1-Cell Li+ DC-DC Charger for USB and Adapter Power	Free Samples

More Information

For Technical Support: <http://www.maximintegrated.com/en/support>

For Samples: <http://www.maximintegrated.com/en/samples>

Other Questions and Comments: <http://www.maximintegrated.com/en/contact>

Application Note 5818: <http://www.maximintegrated.com/en/an5818>

APPLICATION NOTE 5818, AN5818, AN 5818, APP5818, Appnote5818, Appnote 5818

© 2014 Maxim Integrated Products, Inc.

The content on this webpage is protected by copyright laws of the United States and of foreign countries.

For requests to copy this content, [contact us](#).

Additional Legal Notices: <http://www.maximintegrated.com/en/legal>