

EVALUATION DONGLE KIT FOR THE Si7005 TEMPERATURE AND HUMIDITY SENSOR

1. Introduction

The Si7005 is a relative humidity and temperature environmental sensor in a 4 mm x 4 mm QFN package. Access to the sensor output is via a standard I²C digital interface. The Si7005 is a highly-integrated device incorporating a humidity sensor, temperature sensor, signal conditioning, an analog-to-digital converter, control logic, and an I²C interface.

2. Evaluation Kit Description

This document describes the operation of the Silicon Laboratories Si7005USB-DONGLE Rev 1.0 evaluation kit. The Si7005 evaluation kit and accompanying graphical user interface software allow the user quick and easy access to the features and functions of the Si7005 sensor as well as enabling the evaluation of the sensor's performance. The evaluation kit includes the following:

- Si7005USB-DONGLE evaluation board consisting of one Si7005 sensor
- Windows graphical user interface software for complete control of the Si7005 sensor (Windows XP, VISTA, or 7 required)

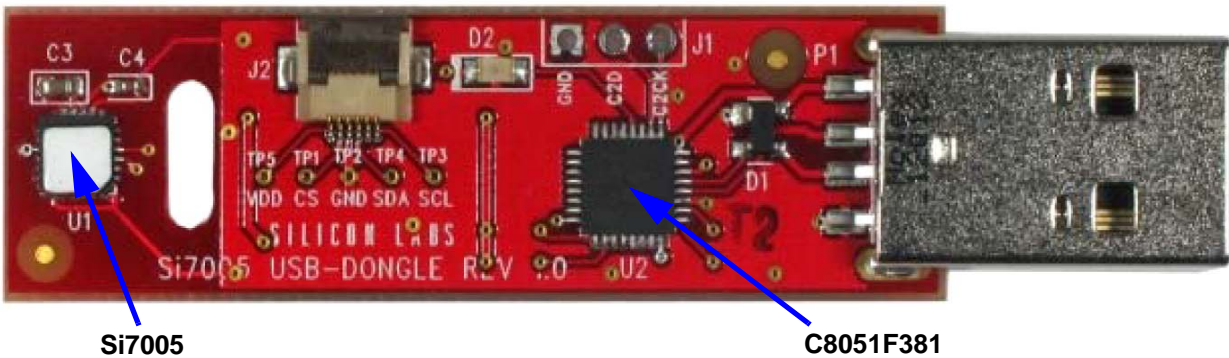


Figure 1. Si7005USB-DONGLE

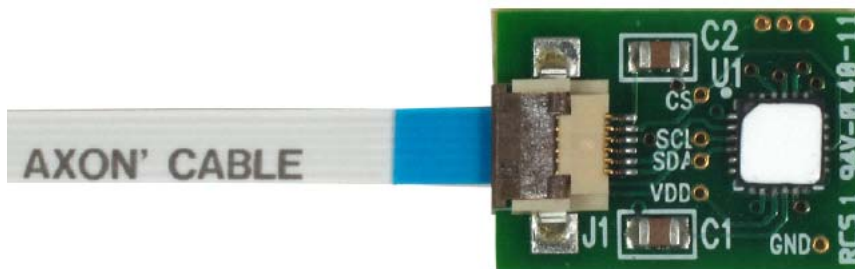


Figure 2. Si7005-EVB (Ordered Separately)

Si7005USB-DONGLE

3. Software Setup

It is important that the software be installed before connecting the USB dongle to the PC; this ensures that the software drivers are correctly installed.

To set up the software, run the file, setup.exe, from the supplied software installation disk.

The Si7005 demo platform was developed based on National Instruments LabView™ platform. To install it, you must accept the National Instruments end-user license agreement shown in Figure 3.



Figure 3. National Instruments Software License Agreement

Continue through the following screens, which track the Graphical User Interface installation.

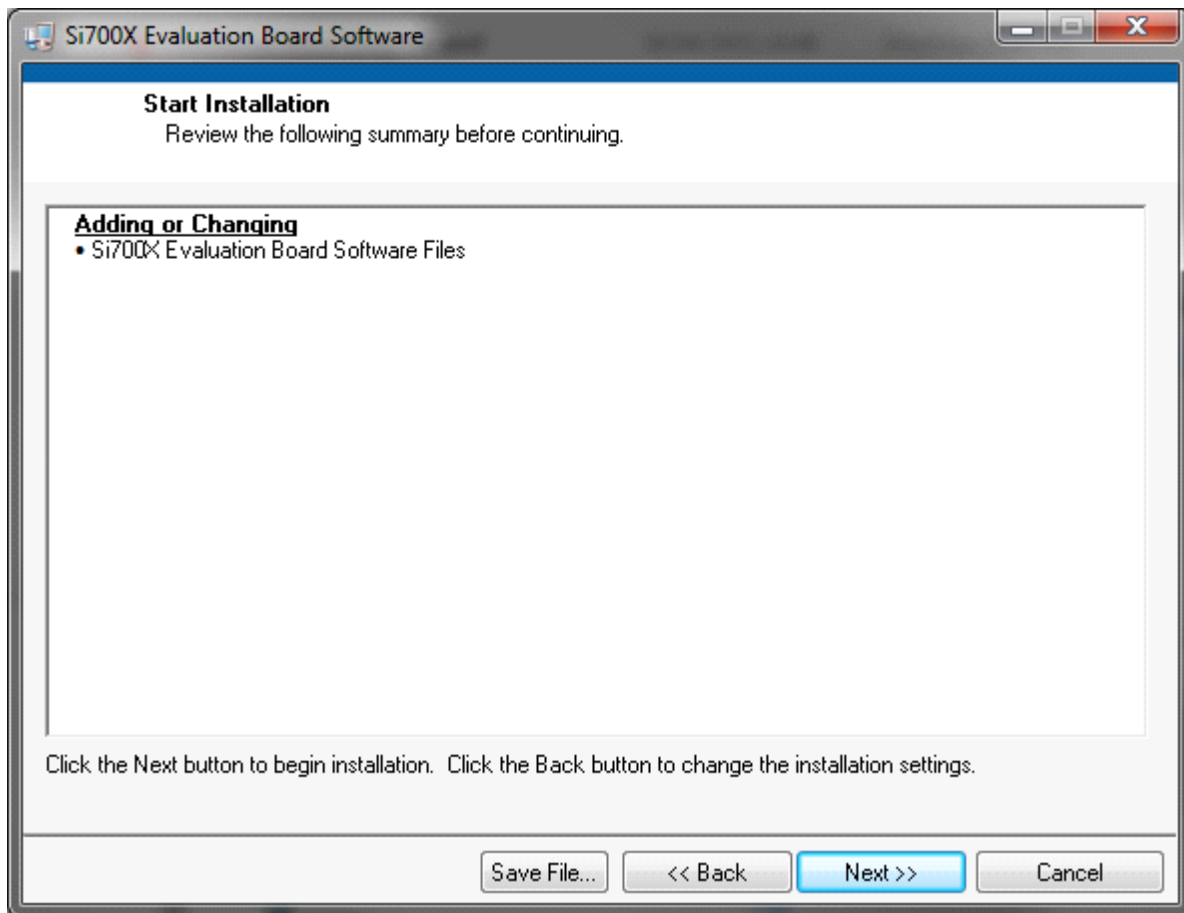


Figure 4. Start Installation Screen

Si7005USB-DONGLE

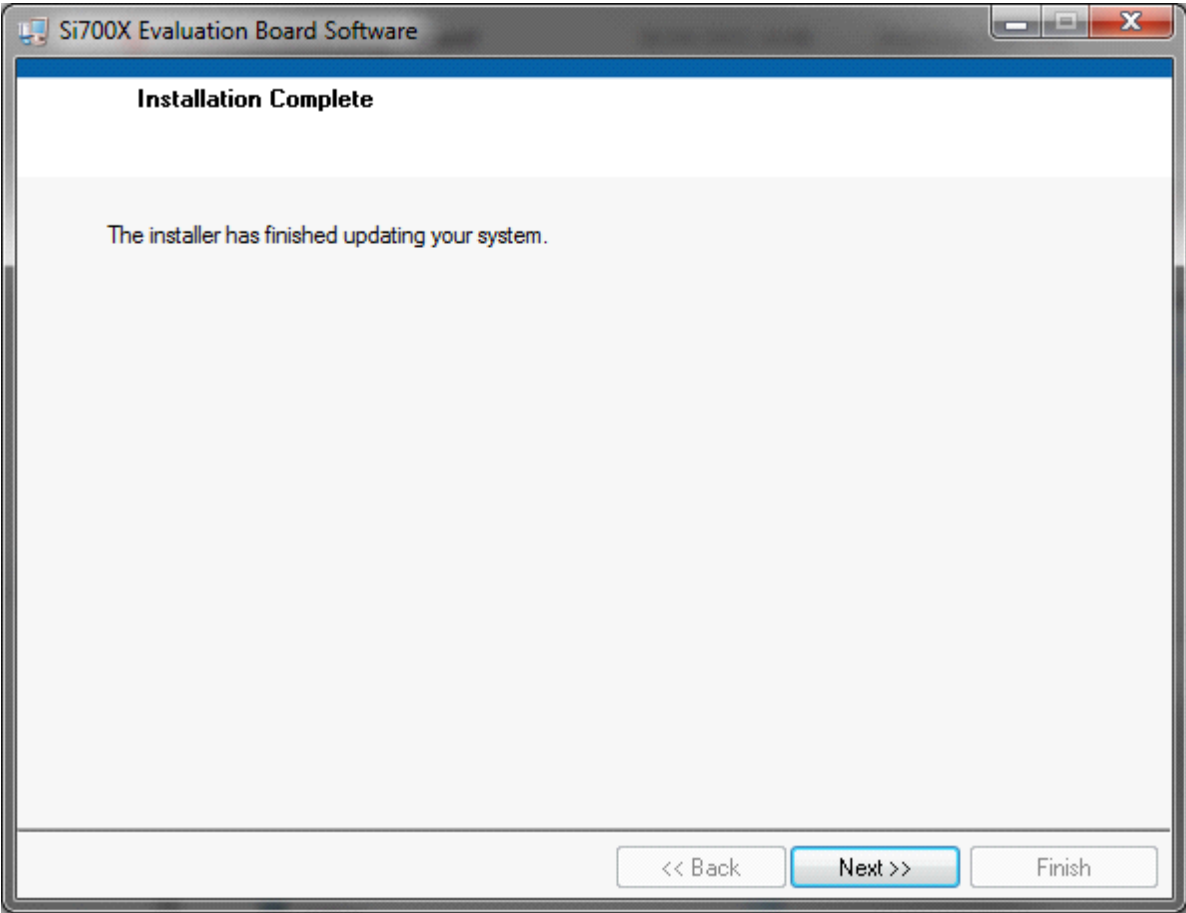


Figure 5. Installer Update Screen

After this screen, you will see the installer for the Si7005 device drivers.

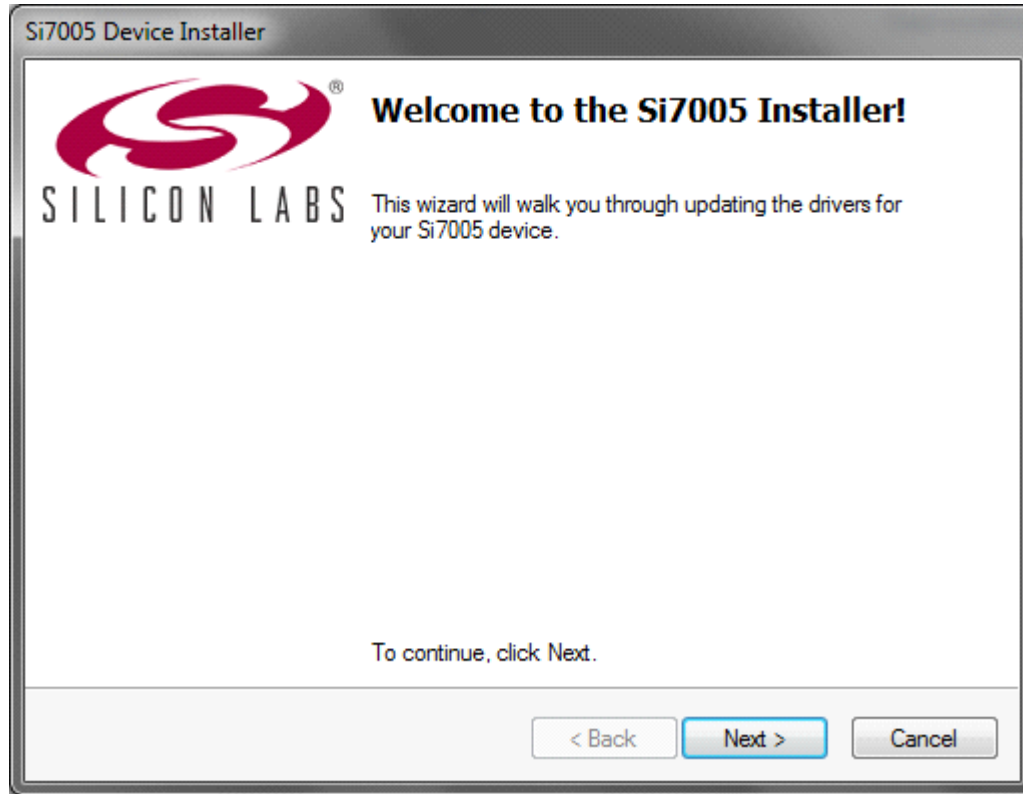


Figure 6. Device Drivers Installer Screen

Si7005USB-DONGLE

4. Hardware Setup and Software Operation

Once the GUI installation is complete, connect the Si7005 USB dongle to your PC. Your PC should automatically recognize the USB dongle and use the newly-installed driver.

Next, find the icon for the Si7005 GUI, which should be easily found under recently-installed programs from the start menu, under Programs→Silicon Laboratories→Si700x Evaluation Software or at C:\program files\Silicon Laboratories\Si700x\.

With all the hardware plugged in and once your PC identifies the USB dongle, launch the GUI.

The GUI itself is simple to use. Figure 7 shows a screen shot of the GUI.

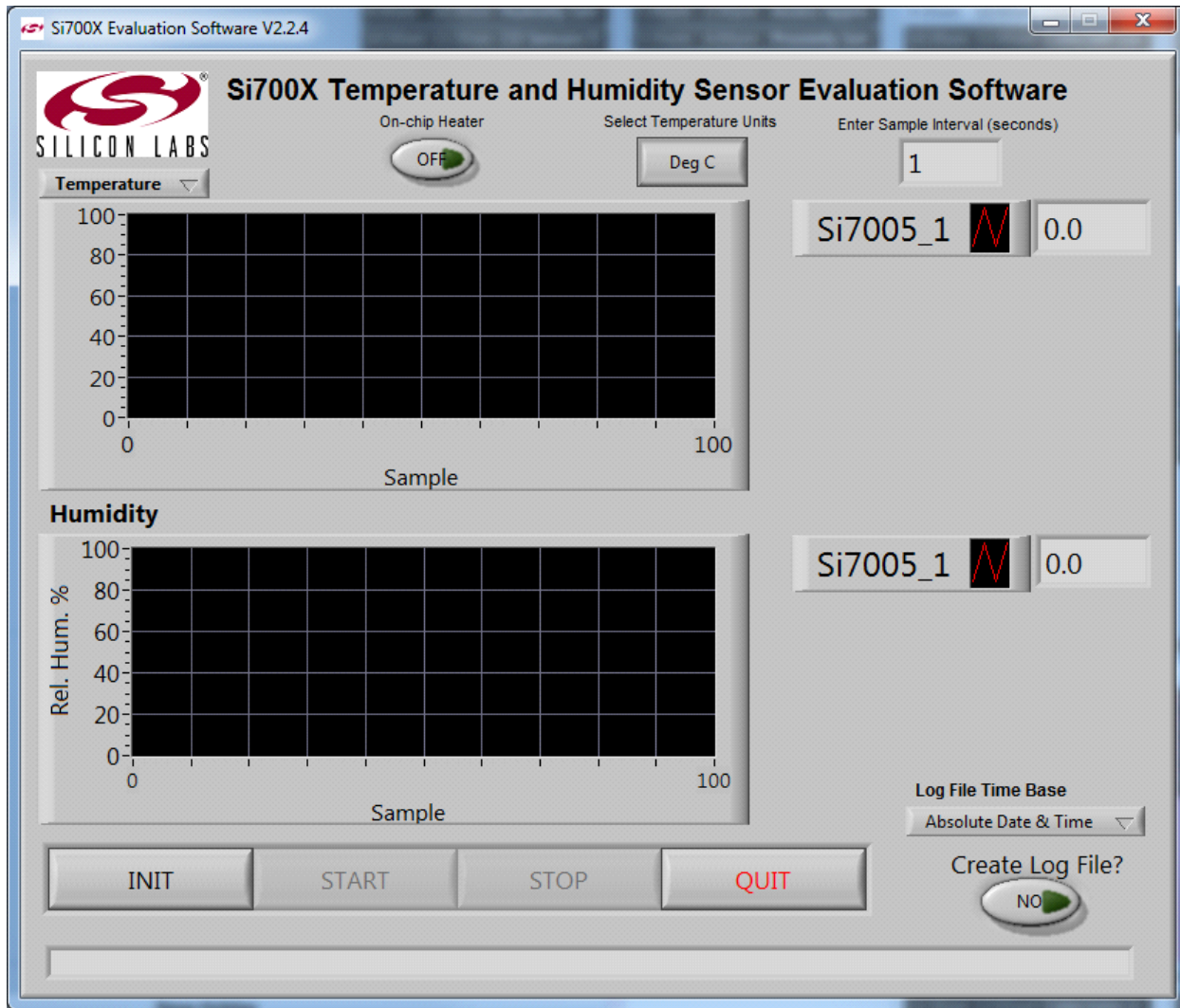


Figure 7. GUI Screen

Si7005USB-DONGLE

The USB dongle contains one Si7005 relative humidity and temperature sensor and can also support one additional Si7005 sensor at connector J2 by connecting a Si7005-EVB (ordered separately).

To start the evaluation, click the "INIT" button, the GUI will recognize how many sensors are connected.

Select temperature units by clicking on the "Select Temperature Units" button, the button label will toggle between "Deg C" and "Deg F" indicating the selection of either degrees Celsius or degrees Fahrenheit.

In the "Enter Sample Interval (seconds)" number box, the time interval between samples can be entered, a value between 1 and 65535 seconds can be entered.

The Si7005 on-chip heater can be enabled/disabled using the "On-chip Heater" toggle button. The heaters of all the connected sensors are controlled simultaneously.

The upper chart by default displays temperature; this can be changed to dew point by clicking on the selection box located directly under the Silicon Labs logo. When logging data to file, the upper chart should be set to display temperature since dew point is already automatically logged to file.

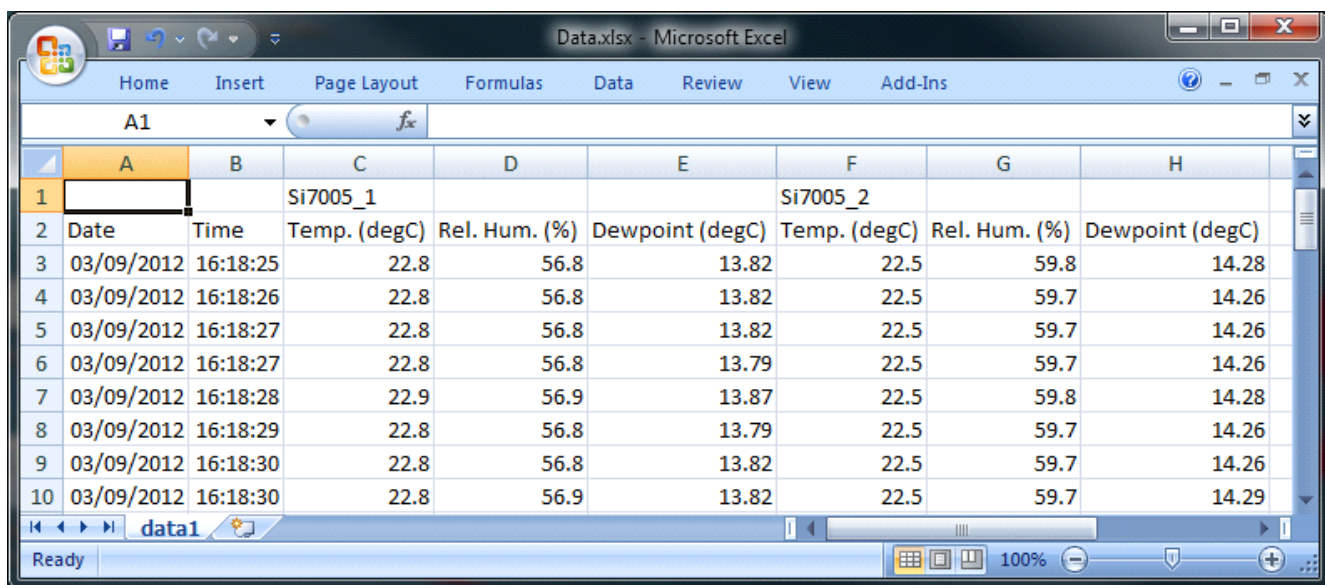
The default Y-axis range on each chart is from 0 to 100. To change this range, simply click on the upper or lower value on the chart axis and type in an alternative value. The axis can also be configured to auto-range to the displayed data by right-clicking on the chart and selecting "Autoscale Y". The same configuration changes can be made to the X-axis.

If a log of the data is desired, click "Create Log File?" button to "Yes".

Click "START" to begin collecting data. If "Create Log File?" is enabled, a dialog box will appear requesting a file name and save location. Note that the "Create Log File?" button must be set to "YES" before clicking on the "Start" button in order to log data. The time base of the log file can be chosen to be absolute date and time or relative time in seconds.

To stop data collection, click "STOP". To exit the GUI click "QUIT".

The GUI automatically adjusts for the temperature and non-linearity effect of the RH-sensitive film of the Si7005. The data logged to file is saved in a tab delimited text file format, which can be easily opened in a spreadsheet application such as Microsoft Excel, as shown in Figure 8.



		Si7005_1			Si7005_2		
Date	Time	Temp. (degC)	Rel. Hum. (%)	Dewpoint (degC)	Temp. (degC)	Rel. Hum. (%)	Dewpoint (degC)
03/09/2012	16:18:25	22.8	56.8	13.82	22.5	59.8	14.28
03/09/2012	16:18:26	22.8	56.8	13.82	22.5	59.7	14.26
03/09/2012	16:18:27	22.8	56.8	13.82	22.5	59.7	14.26
03/09/2012	16:18:27	22.8	56.8	13.79	22.5	59.7	14.26
03/09/2012	16:18:28	22.9	56.9	13.87	22.5	59.8	14.28
03/09/2012	16:18:29	22.8	56.8	13.79	22.5	59.7	14.26
03/09/2012	16:18:30	22.8	56.8	13.82	22.5	59.7	14.26
03/09/2012	16:18:30	22.8	56.9	13.82	22.5	59.7	14.29

Figure 8. Logged Data Displayed in Excel with Absolute Date and Time time Base

Si7005USB-DONGLE

	A	B	C	D	E	F	G
1		Si7005_1			Si7005_2		
2	Time (secs)	Temp. (degC)	Rel. Hum. (%)	Dewpoint (degC)	Temp. (degC)	Rel. Hum. (%)	Dewpoint (degC)
3	0.9	22.8	56.8	13.82	22.5	59.8	14.28
4	1.9	22.8	56.8	13.82	22.5	59.7	14.26
5	2.8	22.8	56.8	13.82	22.5	59.7	14.26
6	3.7	22.8	56.8	13.79	22.5	59.7	14.26
7	4.6	22.9	56.9	13.87	22.5	59.8	14.28
8	5.6	22.8	56.8	13.79	22.5	59.7	14.26
9	6.5	22.8	56.8	13.82	22.5	59.7	14.26
10	7.4	22.8	56.9	13.82	22.5	59.7	14.29

Figure 9. Logged Data Displayed in Excel with Relative Time Base in Seconds

4.1. Calculation of Dew Point Value

The Si7005 measures both temperature (T) and relative humidity (RH). These two values can be used to approximate the dew point (Td).

$$T_d = \frac{b\gamma(T,RH)}{a - \gamma(T,RH)}$$

Where

$$\gamma(T,RH) = \frac{aT}{b + T} + \ln\left(\frac{RH}{100}\right)$$

$$a = 17.625$$

$$b = 243.04$$

The calculation used is based on the August-Roche-Magnus approximation for the saturation vapour pressure of water in air as a function of temperature, it is considered valid for:

$$0\text{ }^{\circ}\text{C} < T < 60\text{ }^{\circ}\text{C}$$

$$1\% < RH < 100\%$$

$$0\text{ }^{\circ}\text{C} < T_d < 50\text{ }^{\circ}\text{C}$$

5. Si7005 USB Dongle Description

The USB Dongle facilitates communication between the Si7005 and the PC. This function is enabled by the Silicon Laboratories' C8051F381 microcontroller. The pin connections for connector J2 are shown in Figure 10. A full circuit diagram of the board is shown in Figure 11.

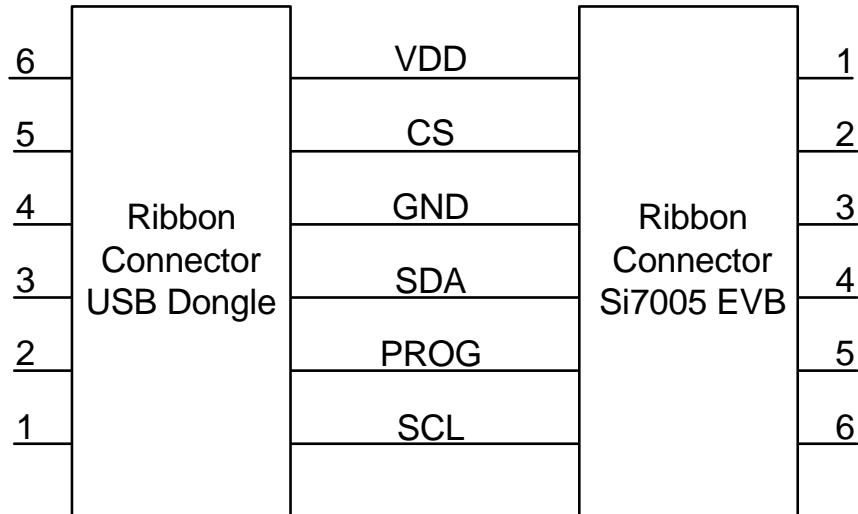


Figure 10. Ribbon Cable Pin Assignments

5.1. Si7005 USB Dongle Schematic

The Si7005USB-DONGLE is a simple board containing an Si7005 relative humidity and temperature sensor, a C8051F381 USB microcontroller, a USB type A connector, and an auxiliary connector for connection to a second Si7005 sensor. Discrete component requirements are minimal, demonstrating the ease-of-use of the Si7005.

5.2. Si7005 USB Dongle Board Layers

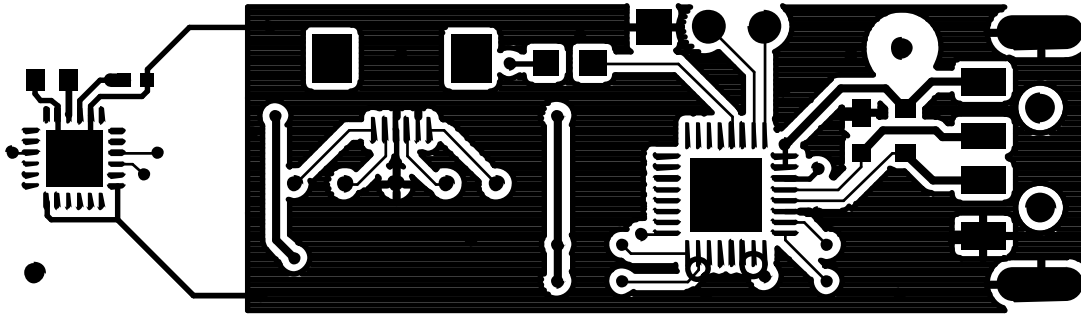


Figure 12. Si7005 Dongle Board Layout Top Layer

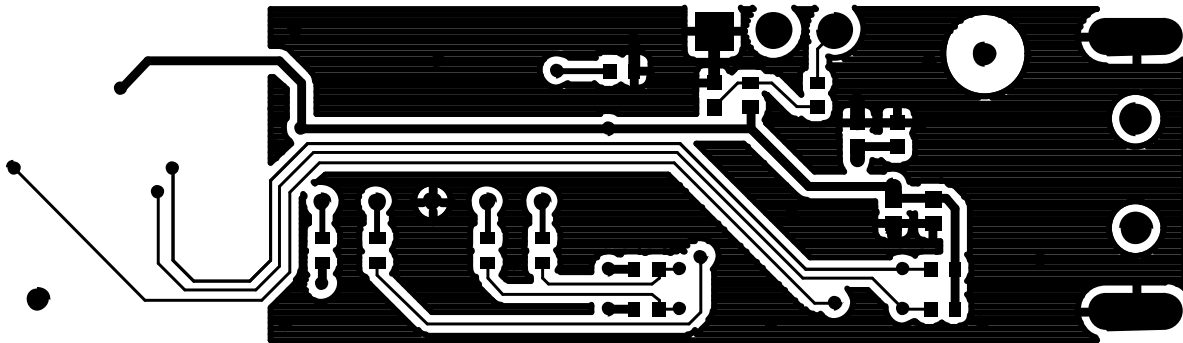


Figure 13. Si7005 Dongle Board Layout Bottom Layer

Note from Figures 1, 12, and 13, that there is no ground plane around the Si7005 and that there is a cutout in the PCB between the Si7005 and other circuitry. While these are not requirements for successful operation of the Si7005, they do (in the case of the dongle board) provide thermal isolation from heat sources, such as the host PC and MCU circuitry. The intention of this evaluation board layout is to demonstrate the concept of thermal isolation between the Si7005 and the system board. In many applications, the system designer will use the Si7005 to sense the temperature of the air around it and not that of the system PCB.

Si7005USB-DONGLE

6. Si7005-EVB Description

6.1. Si7005 EVB Schematic

The evaluation board is a simple board containing just the Si7005 sensor, two capacitors and a ribbon connector for connection to the USB dongle board. The circuit diagram and layout are shown in Figures 14, 15 and 16.

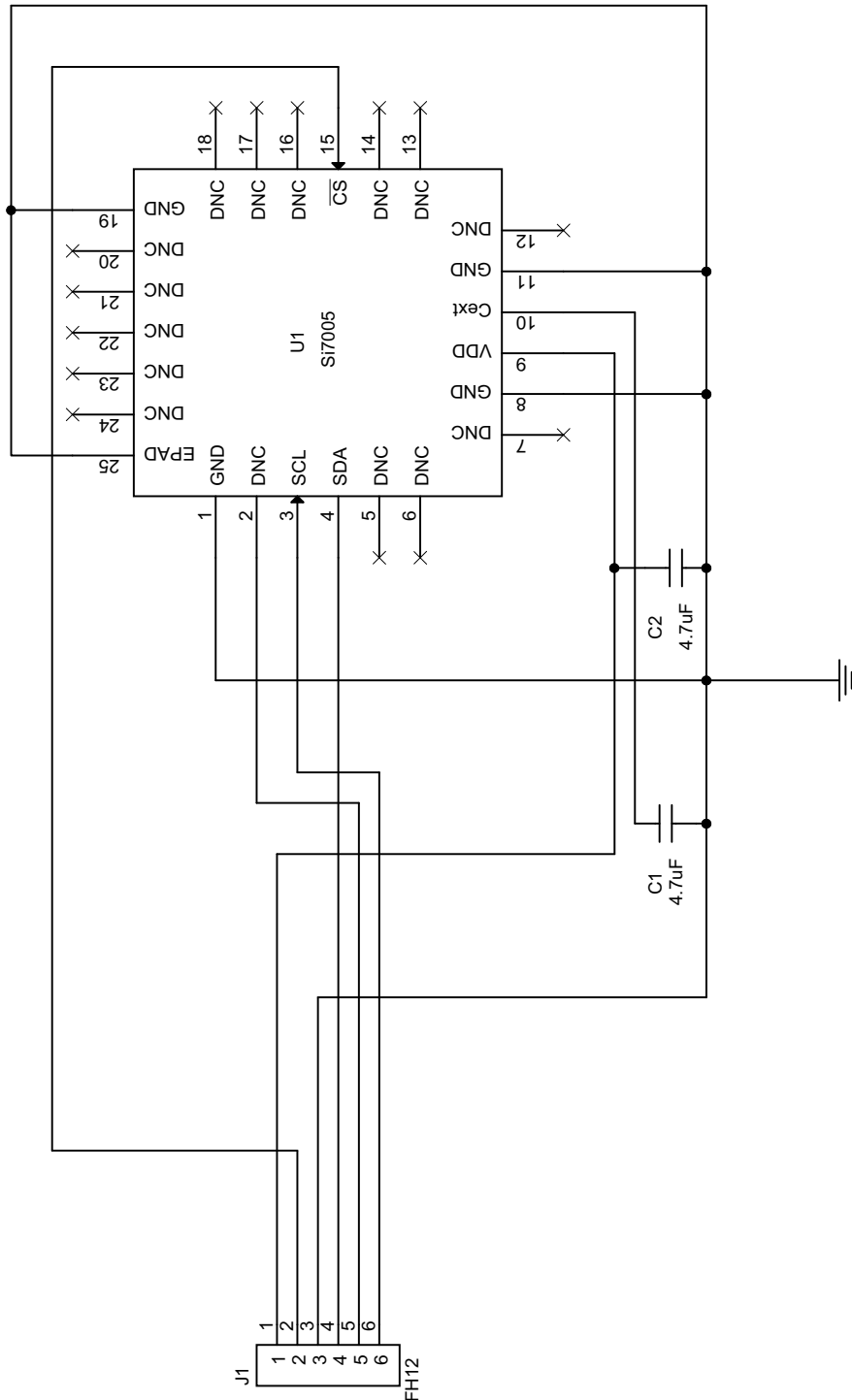


Figure 14. Si7005 Evaluation Board Schematic

6.2. Si7005 Evaluation Board Layers

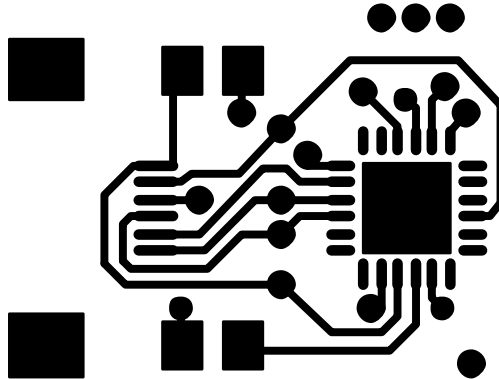


Figure 15. Si7005 Evaluation Board Layout Top Layer

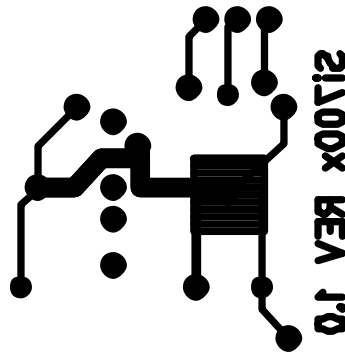


Figure 16. Si7005 Evaluation Board Layout Bottom Layer

7. Additional Reference Resources

- Si7005 data sheet
- AN607: Si70xx Humidity Sensor Designer's Guide



Smart.
Connected.
Energy-Friendly.



Products
www.silabs.com/products



Quality
www.silabs.com/quality



Support and Community
community.silabs.com

Disclaimer
Silicon Laboratories intends to provide customers with the latest, accurate, and in-depth documentation of all peripherals and modules available for system and software implementers using or intending to use the Silicon Laboratories products. Characterization data, available modules and peripherals, memory sizes and memory addresses refer to each specific device, and "Typical" parameters provided can and do vary in different applications. Application examples described herein are for illustrative purposes only. Silicon Laboratories reserves the right to make changes without further notice and limitation to product information, specifications, and descriptions herein, and does not give warranties as to the accuracy or completeness of the included information. Silicon Laboratories shall have no liability for the consequences of use of the information supplied herein. This document does not imply or express copyright licenses granted hereunder to design or fabricate any integrated circuits. The products are not designed or authorized to be used within any Life Support System without the specific written consent of Silicon Laboratories. A "Life Support System" is any product or system intended to support or sustain life and/or health, which, if it fails, can be reasonably expected to result in significant personal injury or death. Silicon Laboratories products are not designed or authorized for military applications. Silicon Laboratories products shall under no circumstances be used in weapons of mass destruction including (but not limited to) nuclear, biological or chemical weapons, or missiles capable of delivering such weapons.

Trademark Information

Silicon Laboratories Inc.®, Silicon Laboratories®, Silicon Labs®, SiLabs® and the Silicon Labs logo®, Bluegiga®, Bluegiga Logo®, Clockbuilder®, CMEMS®, DSPLL®, EFM®, EFM32®, EFR®, Ember®, Energy Micro, Energy Micro logo and combinations thereof, "the world's most energy friendly microcontrollers", Ember®, EZLink®, EZRadio®, EZRadioPRO®, Gecko®, ISOModem®, Precision32®, ProSLIC®, Simplicity Studio®, SiPHY®, Telegesis, the Telegesis Logo®, USBXpress® and others are trademarks or registered trademarks of Silicon Laboratories Inc. ARM, CORTEX, Cortex-M3 and THUMB are trademarks or registered trademarks of ARM Holdings. Keil is a registered trademark of ARM Limited. All other products or brand names mentioned herein are trademarks of their respective holders.



Silicon Laboratories Inc.
400 West Cesar Chavez
Austin, TX 78701
USA

<http://www.silabs.com>