

General Description

The MAX9278/MAX9282 gigabit multimedia serial link (GMSL) deserializers receive data from a GMSL serializer over 50Ω coax or 100Ω shielded twisted-pair (STP) cable and output deserialized data on 3 of 4 data-lane LVDS outputs (oLDI).

The MAX9282 has HDCP content protection but otherwise is the same as the MAX9278. The deserializers pair with any GMSL serializer capable of coax output. When programmed for STP input, they are backward compatible with any GMSL serializer.

The audio channel supports L-PCM I²S stereo and up to eight channels of L-PCM in TDM mode. Sample rates of 32kHz to 192kHz are supported with sample depth up to 32 bits.

The embedded control channel operates at 9.6kbps to 1Mbps in UART-to-UART and UART-to-I²C modes, and up to 1Mbps in I²C-to-I²C mode. Using the control channel, a μC can program serializer, deserializer, and peripheral device registers at any time, independent of video timing, and manage HDCP operation (MAX9282). Two GPIO ports are included, allowing display power-up and switching of the backlight among other uses. A continuously sampled GPI input supports touch-screen controller interrupt requests in display applications.

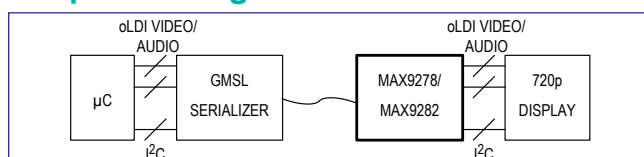
For use with longer cables, the deserializers have a programmable cable equalizer. Programmable spread spectrum is available on the LVDS output. The serial input and LVDS output meet ISO 10605 and IEC 61000-4-2 ESD standards. The core supply is 3.0V to 3.6V and the I/O supply is 1.7V to 3.6V.

The devices are in lead-free, 48-pin, 7mm x 7mm TQFN and side-wettable TQFN (SWTQFN) packages with exposed pad and 0.5mm lead pitch.

Applications

- High-Resolution Automotive Navigation
- Rear-Seat Infotainment
- Megapixel Camera Systems

Simplified Diagram



Benefits and Features

- Ideal for High-Definition Video Applications
 - 104MHz High-Bandwidth Mode Supports 1920 x 720p/60Hz Display with 24-Bit Color
 - Works with Low-Cost 50Ω Coax Cable and FAKRA Connectors or 100Ω STP
 - Equalization Allows 15m Cable at Full Speed
 - Up to 192kHz Sample Rate and 32-Bit Sample Depth for 7.1 Channel HD Audio
 - Audio Clock from Audio Source or Audio Sink
 - Color Lookup Table for Gamma Correction
 - CNTL[3:0] Control Outputs
- Multiple Data Rates for System Flexibility
 - Up to 3.12Gbps Serial-Bit Rate
 - 6.25MHz to 104MHz Pixel Clock
 - 9.6kbps to 1Mbps Control Channel in UART, UART-to-UART, UART-to-I²C, or I²C-to-I²C Modes with Clock Stretch Capability
- Reduces EMI and Shielding Requirements
 - Programmable Spread Spectrum Reduces EMI
 - Tracks Spread Spectrum on Input
 - High-Immunity Mode for Maximum Control-Channel Noise Rejection
- Peripheral Features for System Power-Up and Verification
 - Built-In PRBS Tester for BER Testing of the Serial Link
 - Programmable Choice of Nine Default Device Addresses
 - Two Dedicated GPIO Ports
 - Dedicated “Up/Down” GPI for Touch-Screen Interrupt and Other Uses
 - Remote/Local Wake-Up from Sleep Mode
- Meets Rigorous Automotive and Industrial Requirements
 - -40°C to +105°C Operating Temperature
 - ±8kV Contact and ±15kV Air ISO 10605 and IEC 61000-4-2 ESD Protection

Ordering Information appears at end of data sheet.

TABLE OF CONTENTS

| | |
|--|----|
| General Description | 1 |
| Applications | 1 |
| Benefits and Features | 1 |
| Functional Diagram | 2 |
| Absolute Maximum Ratings | 8 |
| Package Thermal Characteristics | 8 |
| DC Electrical Characteristics | 8 |
| AC Electrical Characteristics | 12 |
| Typical Operating Characteristics | 16 |
| Pin Configuration | 18 |
| Pin Description | 18 |
| Detailed Description | 26 |
| Register Mapping | 26 |
| Output Bit Map | 27 |
| Serial Link Signaling and Data Format | 27 |
| High-Bandwidth Mode | 31 |
| Audio Channel | 31 |
| Audio Channel Input | 31 |
| Audio Channel Output | 34 |
| Additional MCLK Output for Audio Applications | 35 |
| Audio Output Timing Sources | 35 |
| Reverse Control Channel | 35 |
| Control Channel and Register Programming | 36 |
| UART Interface | 36 |
| Interfacing Command-Byte-Only I ² C Devices with UART | 38 |
| UART Bypass Mode | 38 |
| I ² C Interface | 39 |
| START and STOP Conditions | 39 |
| Bit Transfer | 39 |
| Acknowledge | 40 |
| Slave Address | 40 |
| Bus Reset | 40 |
| Format for Writing | 41 |
| Format for Reading | 42 |
| I ² C Communication with Remote-Side Devices | 42 |
| I ² C Address Translation | 42 |
| GPO/GPI Control | 43 |
| Line Equalizer | 43 |

TABLE OF CONTENTS (continued)

| | |
|--|----|
| Spread Spectrum | 43 |
| Manual Programming of the Spread-Spectrum Divider | 43 |
| HS/VS/DE Tracking | 44 |
| Serial Input | 44 |
| Coax Splitter Mode | 44 |
| Cable Type Configuration Input | 44 |
| Color Lookup Tables | 45 |
| Programming and Verifying LUT Data | 45 |
| LUT Color Translation | 45 |
| LUT Bit Width | 45 |
| Recommended LUT Program Procedure | 46 |
| High-Immunity Reverse Control-Channel Mode | 47 |
| Sleep Mode | 47 |
| Power-Down Mode | 47 |
| Configuration Link | 47 |
| Link Startup Procedure | 48 |
| High-Bandwidth Digital Content Protection (HDCP) | 51 |
| Encryption Enable | 51 |
| Synchronization of Encryption | 51 |
| Repeater Support | 51 |
| HDCP Authentication Procedures | 52 |
| HDCP Protocol Summary | 52 |
| Example Repeater Network—Two μ Cs | 56 |
| Detection and Action Upon New Device Connection | 59 |
| Notification of Start of Authentication and Enable of Encryption to Downstream Links | 59 |
| Applications Information | 60 |
| Self PRBS Test | 60 |
| Error Checking | 60 |
| $\overline{\text{ERR}}$ Output | 60 |
| Auto Error Reset | 60 |
| Dual μ C Control | 60 |
| Changing the Clock Frequency | 60 |
| Fast Detection of Loss of Synchronization | 61 |
| Providing a Frame Sync (Camera Applications) | 61 |
| Software Programming of the Device Addresses | 61 |
| 3-Level Configuration Inputs | 61 |
| Configuration Blocking | 61 |

TABLE OF CONTENTS (continued)

| | |
|---|----|
| Compatibility with Other GMSL Devices | 61 |
| Key Memory | 61 |
| HS/VS/DE Inversion | 61 |
| WS/SCK Inversion | 62 |
| GPIOs | 62 |
| Internal Input Pulldowns | 62 |
| Choosing I ² C/UART Pullup Resistors | 62 |
| AC-Coupling | 62 |
| Selection of AC-Coupling Capacitors | 62 |
| Power-Supply Circuits and Bypassing | 63 |
| Power-Supply Table | 63 |
| Cables and Connectors | 63 |
| Board Layout | 63 |
| ESD Protection | 64 |
| Typical Application Circuit | 74 |
| Ordering Information | 74 |
| Chip Information | 74 |
| Package Information | 74 |
| Revision History | 75 |

LIST OF FIGURES

| | |
|---|----|
| Figure 1. Reverse Control-Channel Output Parameters | 21 |
| Figure 2. Test Circuit for Differential Input Measurement | 21 |
| Figure 3. Test Circuit for Single-Ended Input Measurement | 21 |
| Figure 4. LVDS Output Parameters | 22 |
| Figure 5. Worst-Case Pattern Output | 22 |
| Figure 6. I ² C Timing Parameters | 23 |
| Figure 7. Parallel Clock Output Requirements | 23 |
| Figure 8. Output Pulse Positions | 24 |
| Figure 9. Enable and Disable Time Test Circuit | 24 |
| Figure 10. LVDS Enable and Disable Time | 24 |
| Figure 11. Deserializer Delay | 25 |
| Figure 12. GPI-to-GPO Delay | 25 |
| Figure 13. Lock Time | 26 |

LIST OF FIGURES (continued)

| | |
|---|----|
| Figure 14. Power-Up Delay | 26 |
| Figure 15. Output I ² S Timing Parameters | 26 |
| Figure 16. LVDS Input Timing | 28 |
| Figure 17. LVDS Clock and Bit Assignment | 29 |
| Figure 18. 24-Bit Mode Serial-Data Format | 29 |
| Figure 19. 32-Bit Mode Serial-Data Format | 30 |
| Figure 20. High-Bandwidth Mode Serial-Data Format | 30 |
| Figure 21. Audio Channel Input Format | 31 |
| Figure 22. 8-Channel TDM (24-Bit Samples, Padded with Zeros) | 33 |
| Figure 23. 6-Channel TDM (24-Bit Samples, No Padding) | 33 |
| Figure 24. Stereo I ² S (24-Bit Samples, Padded with Zeros) | 33 |
| Figure 25. Stereo I ² S (16-Bit Samples, No Padding) | 34 |
| Figure 26. Audio Channel Output Format | 34 |
| Figure 27. GMSL UART Protocol for Base Mode | 36 |
| Figure 28. GMSL UART Data Format for Base Mode | 37 |
| Figure 29. Sync Byte (0x79) | 37 |
| Figure 30. ACK Byte (0xC3) | 37 |
| Figure 31. Format Conversion Between GMSL UART and I ² C with Register Address (I2CMETHOD = 0) | 37 |
| Figure 32. Format Conversion Between GMSL UART and I ² C with Register Address (I2CMETHOD = 1) | 38 |
| Figure 33. START and STOP Conditions | 39 |
| Figure 34. Bit Transfer | 39 |
| Figure 35. Acknowledge | 40 |
| Figure 36. Slave Address | 40 |
| Figure 37. Format for I ² C Write | 41 |
| Figure 38. Format for Write to Multiple Registers | 41 |
| Figure 39. Format for I ² C Read | 42 |
| Figure 40. 2:1 Coax Splitter Connection Diagram | 44 |
| Figure 41. Coax Connection Diagram | 44 |
| Figure 42. LUT Dataflow | 46 |
| Figure 43. State Diagram, CDS = Low (Display Application) | 49 |
| Figure 44. State Diagram, CDS = High (Camera Application) | 50 |
| Figure 45. Example Network with One Repeater and Two μ Cs (Tx = GMSL Serializer's, Rx = Deserializer's) | 56 |
| Figure 46. Human Body Model ESD Test Circuit | 64 |
| Figure 47. IEC 61000-4-2 Contact Discharge ESD Test Circuit | 64 |
| Figure 48. ISO 10605 Contact Discharge ESD Test Circuit | 64 |

LIST OF TABLES

| | |
|--|----|
| Table 1. Device Address Defaults (Register 0x00, 0x01) | 27 |
| Table 2. Output Map (See Figure 16 and Figure 17) | 28 |
| Table 3. Data-Rate Selection Table | 31 |
| Table 4. Maximum Audio WS Frequency (kHz) for Various TXCLKOUT Frequencies | 32 |
| Table 5. fSRC Settings | 35 |
| Table 6. I ² C Bit Rate Ranges | 42 |
| Table 7. Cable Equalizer Boost Levels. | 43 |
| Table 8. Output Spread | 43 |
| Table 9. Modulation Coefficients and Maximum SDIV Settings | 43 |
| Table 10. Configuration Input Map. | 44 |
| Table 11. Pixel Data Format. | 45 |
| Table 12. Reverse Control-Channel Modes. | 47 |
| Table 13. Fast High-Immunity Mode Requirements. | 47 |
| Table 14. Startup Procedure for Video-Display Applications (CDS = Low). | 48 |
| Table 15. Startup Procedure for Image-Sensing Applications (CDS = High) | 50 |
| Table 16. Startup, HDCP Authentication, and Normal Operation (Deserializer is Not a Repeater) —First Part of the HDCP Authentication Protocol | 52 |
| Table 17. Link Integrity Check (Normal)—Performed Every 128 Frames After Encryption is Enabled | 54 |
| Table 18. Optional Enhanced Link Integrity Check—Performed Every 16 Frames After Encryption is Enabled | 55 |
| Table 19. HDCP Authentication and Normal Operation (One Repeater, Two μ Cs) —First and Second Parts of the HDCP Authentication Protocol | 56 |
| Table 20. MAX9278/MAX9282 Feature Compatibility | 61 |
| Table 21. Additional Supply Current from HDCP (MAX9282 Only) | 63 |
| Table 22. Suggested Connectors and Cables for GMSL | 63 |
| Table 23. Register Table | 65 |
| Table 24. HDCP Register Table (MAX9282 Only) | 72 |

Absolute Maximum Ratings (Note 1)

| | |
|--|--------------------------------------|
| AVDD to EP | -0.5V to +3.9V |
| DVDD to EP | -0.5V to +3.9V |
| IOVDD to EP | -0.5V to +3.9V |
| IN+, IN- to EP | -0.5V to +1.9V |
| TXOUT_, TCLKOUT_ to EP..... | -0.5V to +3.9V |
| All Other Pins to EP | -0.5V to (V _{IOVDD} + 0.5V) |
| IN+, IN- Short Circuit to Ground or Supply | Continuous |

| | |
|---|-----------------|
| Continuous Power Dissipation (T _A = +70°C) | |
| TQFN/SWTQFN (derate 47.6mW/°C | |
| above +70°C) | 3200mW |
| Operating Temperature Range | -40°C to +105°C |
| Junction Temperature | +150°C |
| Storage Temperature Range | -65°C to +150°C |
| Lead Temperature (soldering, 10s) | +300°C |
| Soldering Temperature (reflow) | +260°C |

Note 1: EP connected to PCB ground.

Stresses beyond those listed under "Absolute Maximum Ratings" may cause permanent damage to the device. These are stress ratings only, and functional operation of the device at these or any other conditions beyond those indicated in the operational sections of the specifications is not implied. Exposure to absolute maximum rating conditions for extended periods may affect device reliability.

Package Thermal Characteristics (Note 2)

| | |
|---|--------|
| TQFN/SWTQFN | |
| Junction-to-Ambient Thermal Resistance (θ _{JA}) | 25°C/W |
| Junction-to-Case Thermal Resistance (θ _{JC}) | 1°C/W |

Note 2: Package thermal resistances were obtained using the method described in JEDEC specification JESD51-7, using a four-layer board. For detailed information on package thermal considerations, refer to www.maximintegrated.com/thermal-tutorial.

DC Electrical Characteristics

(V_{AVDD} = V_{DVDD} = 3.0V to 3.6V, V_{IOVDD} = 1.7V to 3.6V, R_L = 100Ω ±1% (differential), EP connected to PCB ground (GND), T_A = -40°C to +105°C, unless otherwise noted. Typical values are at V_{AVDD} = V_{DVDD} = V_{IOVDD} = 3.3V, T_A = +25°C.) (Note 3)

| PARAMETER | SYMBOL | CONDITIONS | | MIN | TYP | MAX | UNITS |
|--|------------------|--|-----------------------------------|---------------------------|---------------------------|-----|-------|
| SINGLE-ENDED INPUTS (GPI, CDS, HIM, EQS, PWDN, OEN, I2CSEL, MS, SSEN, DRS, WS, SCK) | | | | | | | |
| High-Level Input Voltage | V _{IH1} | | | 0.65 x V _{IOVDD} | | | V |
| Low-Level Input Voltage | V _{IL1} | | | | 0.35 x V _{IOVDD} | | V |
| Input Current | I _{IN1} | V _{IN} = 0V to V _{IOVDD} | | -10 | | +20 | μA |
| SINGLE-ENDED OUTPUTS (MCLK, WS, SCK, SD, CNTL_, INTOUT) | | | | | | | |
| High-Level Output Voltage | V _{OH1} | I _{OUT} = -2mA | DCS = 0 | V _{IOVDD} - 0.3 | | | V |
| | | | DCS = 1 | V _{IOVDD} - 0.2 | | | |
| Low-Level Output Voltage | V _{OL1} | I _{OUT} = 2mA | DCS = 0 | | 0.3 | | V |
| | | | DCS = 1 | | 0.2 | | |
| Output Short-Circuit Current | I _{OS} | V _O = 0V, DCS = 0 | V _{IOVDD} = 3.0V to 3.6V | 15 | 25 | 39 | mA |
| | | | V _{IOVDD} = 1.7V to 1.9V | 3 | 7 | 13 | |
| | | V _O = 0V, DCS = 1 | V _{IOVDD} = 3.0V to 3.6V | 20 | 35 | 63 | |
| | | | V _{IOVDD} = 1.7V to 1.9V | 5 | 10 | 21 | |

DC Electrical Characteristics (continued)

($V_{AVDD} = V_{DVDD} = 3.0V$ to $3.6V$, $V_{IOVDD} = 1.7V$ to $3.6V$, $R_L = 100\Omega \pm 1\%$ (differential), EP connected to PCB ground (GND), $T_A = -40^\circ C$ to $+105^\circ C$, unless otherwise noted. Typical values are at $V_{AVDD} = V_{DVDD} = V_{IOVDD} = 3.3V$, $T_A = +25^\circ C$.) (Note 3)

| PARAMETER | SYMBOL | CONDITIONS | | MIN | TYP | MAX | UNITS |
|--|--------------|------------------------------------|--|-------------------|-----|-------------------|---------|
| OPEN-DRAIN INPUT/OUTPUT (GPIO0, GPIO1, RX/SDA, TX/SCL, ERR, LOCK) | | | | | | | |
| High-Level Input Voltage | V_{IH2} | | | 0.7 x V_{IOVDD} | | | V |
| Low-Level Input Voltage | V_{IL2} | | | | | 0.3 x V_{IOVDD} | V |
| Input Current | I_{IN2} | (Note 4) | RX/SDA, TX/SCL | -100 | | +5 | μA |
| | | | LOCK, ERR, GPIO_ | -80 | | +5 | |
| Low-Level Output Voltage | V_{OL2} | $I_{OUT} = 3mA$ | $V_{IOVDD} = 1.7V$ to $1.9V$ | | | 0.4 | V |
| | | | $V_{IOVDD} = 3.0V$ to $3.6V$ | | | 0.3 | |
| Input Capacitance | C_{IN} | Each pin (Note 5) | | | | 10 | pF |
| OUTPUT FOR REVERSE CONTROL CHANNEL (IN+, IN-) | | | | | | | |
| Differential High Output Peak Voltage (V_{IN+}) - (V_{IN-}) | V_{RODH} | Forward channel disabled, Figure 1 | Legacy reverse control-channel mode | 30 | | 60 | mV |
| | | | High immunity mode | 50 | | 100 | |
| Differential Low Output Peak Voltage (V_{IN+}) - (V_{IN-}) | V_{RODL} | Forward channel disabled, Figure 1 | Legacy reverse control-channel mode | -60 | | -30 | mV |
| | | | High immunity mode | -100 | | -50 | |
| Single-Ended High Output Peak Voltage | V_{ROSH} | Forward channel disabled | Legacy reverse control-channel mode | 30 | | 60 | mV |
| | | | High immunity mode | 50 | | 100 | |
| Single-Ended Low Output Peak Voltage | V_{ROSL} | Forward channel disabled | Legacy reverse control-channel mode | -60 | | -30 | mV |
| | | | High immunity mode | -100 | | -50 | |
| DIFFERENTIAL INPUTS (IN+, IN-) | | | | | | | |
| Differential High Input Threshold (Peak) Voltage (V_{IN+}) - (V_{IN-}) | $V_{IDH(P)}$ | Figure 2 | Activity detector medium threshold, (0x0B D[6:5] = 01) | | | 60 | mV |
| | | | Activity detector low threshold, (0x0B D[6:5] = 00) | | | 47.5 | |
| Differential Low Input Threshold (Peak) Voltage (V_{IN+}) - (V_{IN-}) | $V_{IDL(P)}$ | Figure 2 | Activity detector medium threshold, (0x0B D[6:5] = 01) | -60 | | | mV |
| | | | Activity detector medium threshold, (0x0B D[6:5] = 00) | -47.5 | | | |
| Input Common-Mode Voltage ($(V_{IN+}) + (V_{IN-})/2$) | V_{CMR} | | | 1 | 1.3 | 1.6 | V |

DC Electrical Characteristics (continued)

($V_{AVDD} = V_{DVDD} = 3.0V$ to $3.6V$, $V_{IOVDD} = 1.7V$ to $3.6V$, $R_L = 100\Omega \pm 1\%$ (differential), EP connected to PCB ground (GND), $T_A = -40^\circ C$ to $+105^\circ C$, unless otherwise noted. Typical values are at $V_{AVDD} = V_{DVDD} = V_{IOVDD} = 3.3V$, $T_A = +25^\circ C$.) (Note 3)

| PARAMETER | SYMBOL | CONDITIONS | MIN | TYP | MAX | UNITS |
|--|-----------------|---|-------------------|-------------------|-------|----------|
| Differential Input Resistance (Internal) | R_{IN} | | 80 | 100 | 130 | Ω |
| SINGLE-ENDED INPUTS (IN+, IN-) | | | | | | |
| Single-Ended High Input Threshold (Peak) Voltage | $V_{ISH(P)}$ | Activity detector medium threshold, (0x0B D[6:5] = 01) | | | 43 | mV |
| | | Activity detector low threshold, (0x0B D[6:5] = 00) | | | 33 | |
| Single-Ended Low Input Threshold (Peak) Voltage | $V_{ISL(P)}$ | Activity detector medium threshold, (0x0B D[6:5] = 01) | -43 | | | mV |
| | | Activity detector medium threshold, (0x0B D[6:5] = 00) | -33 | | | |
| Input Resistance (Internal) | R_I | | 40 | 50 | 65 | Ω |
| THREE-LEVEL LOGIC INPUTS (BWS, ADD_, CX/TP) | | | | | | |
| High-Level Input Voltage | V_{IH} | | 0.7 x V_{IOVDD} | | | V |
| Low-Level Input Voltage | V_{IL} | | | 0.3 x V_{IOVDD} | | V |
| Mid-Level Input Current | I_{INM} | (Note 6) | -10 | 10 | | μA |
| Input Current | I_{IN} | | -150 | | 150 | μA |
| LVDS OUTPUTS (TXOUT_, TXCLKOUT_ (Figure 4)) | | | | | | |
| Differential Output Voltage | V_{OD} | | 250 | | 450 | mV |
| Change in V_{OS} Between Complementary Output States | ΔV_{OD} | | | | 25 | mV |
| Output Offset Voltage | V_{OS} | | 1.125 | | 1.375 | V |
| Cange in V_{OS} Between Complementary Output States | ΔV_{OS} | | | | 25 | mV |
| Output Short-Circuit Current | I_{OS} | $V_{OUT} = 0$ or $3.6V$ | 3.5mA LVDS output | -7.5 | +7.5 | mA |
| | | | 7mA LVDS output | -15 | +15 | |
| Magnitude of Differential Output Short-Circuit Current | I_{OSD} | 3.5mA LVDS output | | | 7.5 | mA |
| | | 7mA LVDS output | | | 15 | |
| Output High-Impedance Current | I_{OZ} | Power-off or $PWDN = low$, $V_{OUT+} = 0$ or $3.6V$, $V_{OUT-} = 0$ or $3.6V$ | -0.5 | | +0.5 | μA |

DC Electrical Characteristics (continued)

($V_{AVDD} = V_{DVDD} = 3.0V$ to $3.6V$, $V_{IOVDD} = 1.7V$ to $3.6V$, $R_L = 100\Omega \pm 1\%$ (differential), EP connected to PCB ground (GND), $T_A = -40^\circ C$ to $+105^\circ C$, unless otherwise noted. Typical values are at $V_{AVDD} = V_{DVDD} = V_{IOVDD} = 3.3V$, $T_A = +25^\circ C$.) (Note 3)

| PARAMETER | SYMBOL | CONDITIONS | | MIN | TYP | MAX | UNITS | |
|---|-----------|--|---|---|--------------------|------|---------|------|
| POWER SUPPLY | | | | | | | | |
| Total Supply Current (AVDD + DVDD + IOVDD) (Note 7) (Worst-Case Pattern, Figure 5) | I_{WCS} | BWS = low, DRS = low, $f_{TXCLKOUT} = 33.33MHz$ | $I_{AVDD} + I_{DVDD}$, 2% spread enabled or disabled | 162 | 190 | | mA | |
| | | | I_{IOVDD} | $V_{IOVDD} = 3.6V$ | 9 | 10 | | |
| | | | | $V_{IOVDD} = 1.9V$ | 4.8 | 5.1 | | |
| | | BWS = low, DRS = low, $f_{TXCLKOUT} = 104MHz$ | $I_{AVDD} + I_{DVDD}$, 2% spread enabled or disabled | $I_{AVDD} + I_{DVDD}$, 2% spread enabled or disabled | 240 | 280 | | |
| | | | | I_{IOVDD} | $V_{IOVDD} = 3.6V$ | 9 | | 10 |
| | | | | | $V_{IOVDD} = 1.9V$ | 4.8 | | 5.1 |
| | | BWS = open, DRS = low, $f_{TXCLKOUT} = 36.66MHz$ | $I_{AVDD} + I_{DVDD}$, 2% spread enabled or disabled | $I_{AVDD} + I_{DVDD}$, 2% spread enabled or disabled | 178 | 210 | | |
| | | | | I_{IOVDD} | $V_{IOVDD} = 3.6V$ | 10 | | 11 |
| | | | | | $V_{IOVDD} = 1.9V$ | 5.3 | | 5.6 |
| Total Supply Current (AVDD + DVDD + IOVDD) (Note 7) (Worst-Case Pattern, Figure 5) | I_{WCS} | BWS = open, DRS = low, $f_{TXCLKOUT} = 104MHz$ | $I_{AVDD} + I_{DVDD}$, 2% spread enabled or disabled | 258 | 300 | | mA | |
| | | | I_{IOVDD} | $V_{IOVDD} = 3.6V$ | 11.5 | 12.5 | | |
| | | | | $V_{IOVDD} = 1.9V$ | 6.2 | 6.5 | | |
| | | BWS = high, DRS = low, $f_{TXCLKOUT} = 33.33MHz$ | $I_{AVDD} + I_{DVDD}$, 2% spread enabled or disabled | $I_{AVDD} + I_{DVDD}$, 2% spread enabled or disabled | 175 | 210 | | |
| | | | | I_{IOVDD} | $V_{IOVDD} = 3.6V$ | 10.7 | | 11.7 |
| | | | | | $V_{IOVDD} = 1.9V$ | 5.7 | | 6 |
| | | BWS = high, DRS = low, $f_{TXCLKOUT} = 78MHz$ | $I_{AVDD} + I_{DVDD}$, 2% spread enabled or disabled | $I_{AVDD} + I_{DVDD}$, 2% spread enabled or disabled | 231 | 280 | | |
| | | | | I_{IOVDD} | $V_{IOVDD} = 3.6V$ | 13 | | 14.1 |
| | | | | | $V_{IOVDD} = 1.9V$ | 7 | | 7.4 |
| Sleep Mode Supply Current | I_{CCS} | | | 64 | 300 | | μA | |
| Power-Down Current | I_{CCZ} | PWDN = GND | | 27 | 250 | | μA | |
| ESD PROTECTION | | | | | | | | |
| IN+, IN- (Note 8) | V_{ESD} | Human Body Model, $R_D = 1.5k\Omega$, $C_S = 100pF$ | | ± 8 | | | kV | |
| | | IEC 61000-4-2, $R_D = 330\Omega$, $C_S = 150pF$ | Contact discharge | ± 10 | | | | |
| | | | Air discharge | ± 12 | | | | |
| | | ISO 10605, $R_D = 2k\Omega$, $C_S = 330pF$ | Contact discharge | ± 8 | | | | |
| | | | Air discharge | ± 15 | | | | |

DC Electrical Characteristics (continued)

($V_{AVDD} = V_{DVDD} = 3.0V$ to $3.6V$, $V_{IOVDD} = 1.7V$ to $3.6V$, $R_L = 100\Omega \pm 1\%$ (differential), EP connected to PCB ground (GND), $T_A = -40^\circ C$ to $+105^\circ C$, unless otherwise noted. Typical values are at $V_{AVDD} = V_{DVDD} = V_{IOVDD} = 3.3V$, $T_A = +25^\circ C$.) (Note 3)

| PARAMETER | SYMBOL | CONDITIONS | MIN | TYP | MAX | UNITS |
|-------------------------|-----------|---|-------------------|----------|-----|-------|
| TXOUT_, TXCLKOUT_ | V_{ESD} | Human Body Model, $R_D = 1.5k\Omega$, $C_S = 100pF$ | | ± 8 | | kV |
| | | IEC 61000-4-2, $R_D = 330\Omega$, $C_S = 150pF$ | Contact discharge | ± 8 | | |
| | | | Air discharge | ± 20 | | |
| | | ISO 10605, $R_D = 2k\Omega$, $C_S = 330pF$ | Contact discharge | ± 8 | | |
| Air discharge | ± 30 | | | | | |
| All Other Pins (Note 9) | V_{ESD} | Human Body Model, $R_D = 1.5k\Omega$, $C_S = 100pF$ | | ± 4 | | kV |

AC Electrical Characteristics

($V_{AVDD} = V_{DVDD} = 3.0V$ to $3.6V$, $V_{IOVDD} = 1.7V$ to $3.6V$, $R_L = 100\Omega \pm 1\%$ (differential), EP connected to PCB ground (GND), $T_A = -40^\circ C$ to $+105^\circ C$, unless otherwise noted. Typical values are at $V_{AVDD} = V_{DVDD} = V_{IOVDD} = 3.3V$, $T_A = +25^\circ C$.) (Note 10)

| PARAMETER | SYMBOL | CONDITIONS | MIN | TYP | MAX | UNITS |
|---|------------------|--|-------|-----|-------|---------|
| LVDS CLOCK OUTPUT (TXCLKOUT_) | | | | | | |
| Clock Frequency | $f_{TXCLKOUT_}$ | BWS = low, DRS = high | 8.33 | | 16.66 | MHz |
| | | BWS = low, DRS = low | 16.66 | | 104 | |
| | | BWS = mid, DRS = high | 18.33 | | 36.66 | |
| | | BWS = mid, DRS = low | 36.66 | | 104 | |
| | | BWS = high, DRS = high | 6.25 | | 12.5 | |
| | | BWS = high, DRS = low | 12.5 | | 78 | |
| I²C/UART PORT TIMING | | | | | | |
| I ² C/UART Bit Rate | | | 9.6 | | 1000 | kbps |
| Output Rise Time | t_R | 30% to 70%, $C_L = 10pF$ to $100pF$, $1k\Omega$ pullup to V_{IOVDD} | 20 | | 150 | ns |
| Output Fall Time | t_F | 70% to 30%, $C_L = 10pF$ to $100pF$, $1k\Omega$ pullup to V_{IOVDD} | 20 | | 150 | ns |
| I²C TIMING (Figure 6) | | | | | | |
| SCL Clock Frequency | f_{SCL} | Low f_{SCL} range: (I2CMSTBT = 010, I2CSLVSH = 10) | 9.6 | | 100 | kHz |
| | | Mid f_{SCL} range: (I2CMSTBT 101, I2CSLVSH = 01) | > 100 | | 400 | |
| | | High f_{SCL} range: (I2CMSTBT = 111, I2CSLVSH = 00) | > 400 | | 1000 | |
| START Condition Hold Time | $t_{HD:STA}$ | f_{SCL} range | Low | | 4.0 | μs |
| | | Mid | 0.6 | | | |
| | | High | 0.26 | | | |

AC Electrical Characteristics (continued)

($V_{AVDD} = V_{DVDD} = 3.0V$ to $3.6V$, $V_{IOVDD} = 1.7V$ to $3.6V$, $R_L = 100\Omega \pm 1\%$ (differential), EP connected to PCB ground (GND), $T_A = -40^\circ C$ to $+105^\circ C$, unless otherwise noted. Typical values are at $V_{AVDD} = V_{DVDD} = V_{IOVDD} = 3.3V$, $T_A = +25^\circ C$.) (Note 10)

| PARAMETER | SYMBOL | CONDITIONS | | MIN | TYP | MAX | UNITS |
|-------------------------------------|--------------|-----------------|------|------|------|-----|---------|
| Low Period of SCL Clock | t_{LOW} | f_{SCL} range | Low | 4.7 | | | μs |
| | | | Mid | 1.3 | | | |
| | | | High | 0.5 | | | |
| High Period of SCL Clock | t_{HIGH} | f_{SCL} range | Low | 4.0 | | | μs |
| | | | Mid | 0.6 | | | |
| | | | High | 0.26 | | | |
| Repeated START Condition Setup Time | $t_{SU:STA}$ | f_{SCL} range | Low | 4.7 | | | μs |
| | | | Mid | 0.6 | | | |
| | | | High | 0.26 | | | |
| Data Hold Time | $t_{HD:DAT}$ | f_{SCL} range | Low | 0 | | | μs |
| | | | Mid | 0 | | | |
| | | | High | 0 | | | |
| Data Setup Time | $t_{SU:DAT}$ | f_{SCL} range | Low | 250 | | | μs |
| | | | Mid | 100 | | | |
| | | | High | 50 | | | |
| Setup Time for STOP Condition | $t_{SU:STO}$ | f_{SCL} range | Low | 4.0 | | | μs |
| | | | Mid | 0.6 | | | |
| | | | High | 0.26 | | | |
| Bus Free Time | t_{BUF} | f_{SCL} range | Low | 4.7 | | | μs |
| | | | Mid | 1.3 | | | |
| | | | High | 0.5 | | | |
| Data Valid Time | $t_{VD:DAT}$ | f_{SCL} range | Low | | 3.45 | | μs |
| | | | Mid | | 0.9 | | |
| | | | High | | 0.45 | | |
| Data Valid Acknowledge Time | $t_{VD:ACK}$ | f_{SCL} range | Low | | 3.45 | | μs |
| | | | Mid | | 0.9 | | |
| | | | High | | 0.45 | | |
| Pulse Width of Spikes Suppressed | t_{SP} | f_{SCL} range | Low | | 50 | | ns |
| | | | Mid | | 50 | | |
| | | | High | | 50 | | |
| Capacitive Load Each Bus Line | C_b | | | | | 100 | pF |

AC Electrical Characteristics (continued)

($V_{AVDD} = V_{DVDD} = 3.0V$ to $3.6V$, $V_{IOVDD} = 1.7V$ to $3.6V$, $R_L = 100\Omega \pm 1\%$ (differential), EP connected to PCB ground (GND), $T_A = -40^\circ C$ to $+105^\circ C$, unless otherwise noted. Typical values are at $V_{AVDD} = V_{DVDD} = V_{IOVDD} = 3.3V$, $T_A = +25^\circ C$.) (Note 10)

| PARAMETER | SYMBOL | CONDITIONS | | MIN | TYP | MAX | UNITS |
|---|-------------|--|------------------------------|----------------------------|----------------------|----------------------------|------------|
| SWITCHING CHARACTERISTICS | | | | | | | |
| CNTL3–CNL0, MCLK Output Rise-and-Fall Time (Figure 7) | t_R, t_F | 20% to 80%, DCS = 1, $C_L = 10pF$ | DCS = 1, $C_L = 10pF$ | 0.5 | | 3.1 | ns |
| | | | DCS = 0, $C_L = 5pF$ | 0.3 | | 2.2 | |
| | | 20% to 80%, DCS = 0, $C_L = 5pF$ | $V_{IOVDD} = 1.7V$ to $1.9V$ | 0.6 | | 3.8 | |
| | | | $V_{IOVDD} = 3.0V$ to $3.6V$ | 0.4 | | 2.4 | |
| LVDS Output Rise Time | t_R | 20% to 80%, $R_L = 100\Omega$ | | | 200 | 350 | ps |
| LVDS Output Fall Time | t_F | 80% to 20%, $R_L = 100\Omega$ | | | 200 | 350 | ps |
| LVDS Output Pulse Position (Figure 8) | t_{PPOSN} | N = 0 to 6, $t_{CLK} = 1/$ $f_{TXCLKOUT_}$ | $f_{TXCLKOUT_} = 6.25MHz$ | $N/7 \times t_{CLK} - 400$ | $N/7 \times t_{CLK}$ | $N/7 \times t_{CLK} + 400$ | ps |
| | | | $f_{TXCLKOUT_} = 12.5MHz$ | $N/7 \times t_{CLK} - 250$ | $N/7 \times t_{CLK}$ | $N/7 \times t_{CLK} + 250$ | |
| | | | $f_{TXCLKOUT_} = 33MHz$ | $N/7 \times t_{CLK} - 200$ | $N/7 \times t_{CLK}$ | $N/7 \times t_{CLK} + 200$ | |
| | | | $f_{TXCLKOUT_} = 78MHz$ | $N/7 \times t_{CLK} - 125$ | $N/7 \times t_{CLK}$ | $N/7 \times t_{CLK} + 125$ | |
| | | | $f_{TXCLKOUT_} = 104MHz$ | $N/7 \times t_{CLK} - 100$ | $N/7 \times t_{CLK}$ | $N/7 \times t_{CLK} + 100$ | |
| LVDS Output Enable Time | t_{LVEN} | From last bit of the enable UART packet to $V_{OS} = 1.25V$ (Figure 9, 10) | | | | 50 | μs |
| LVDS Output Disable Time | t_{LVDS} | From last bit of the enable UART packet to $V_{OS} = 0V$ (Figure 9, 10) | | | | 50 | μs |
| Deserializer Delay | t_{SD} | (Note 11) Figure 11 | | 38 | | 48 | t_{PCLK} |
| Reverse Control-Channel Output Rise Time | t_R | No forward channel data transmission, Figure 1 | | 180 | | 400 | ns |
| Reverse Control-Channel Output Fall Time | t_F | No forward channel data transmission, Figure 1 | | 180 | | 400 | ns |
| GPI-to-GPO Delay | t_{GPIO} | Deserializer GPI to serializer GPO (cable delay not included), Figure 12 | | | | 350 | μs |
| Lock Time | t_{LOCK} | Figure 13 | | | | 3.6 | ms |
| Power-Up Time | t_{PU} | Figure 14 | | | | 9.4 | ms |

AC Electrical Characteristics (continued)

($V_{AVDD} = V_{DVDD} = 3.0V$ to $3.6V$, $V_{IOVDD} = 1.7V$ to $3.6V$, $R_L = 100\Omega \pm 1\%$ (differential), EP connected to PCB ground (GND), $T_A = -40^\circ C$ to $+105^\circ C$, unless otherwise noted. Typical values are at $V_{AVDD} = V_{DVDD} = V_{IOVDD} = 3.3V$, $T_A = +25^\circ C$.) (Note 10)

| PARAMETER | SYMBOL | CONDITIONS | MIN | TYP | MAX | UNITS |
|---|-------------|---|---|-----------------------|-----------------------|---------|
| I²S/TDM OUTPUT TIMING (Note 6) | | | | | | |
| WS Jitter | t_{jWS} | $t_{WS} = 1/f_{WS}$, (cycle-to-cycle), rising-to-falling edge or falling-to-rising edge | $f_{WS} = 48kHz$ or $44.1kHz$ | 1.2e-3 x t_{WS} | 1.5e-3 x t_{WS} | ns |
| | | | $f_{WS} = 96kHz$ | 1.6e-3 x t_{WS} | 2e-3 x t_{WS} | |
| | | | $f_{WS} = 192kHz$ | 1.6e-3 x t_{WS} | 2e-3 x t_{WS} | |
| SCK Jitter (2-Channel I ² S) | t_{jSCK1} | $t_{SCK} = 1/f_{SCK}$, (cycle-to-cycle), rising-to-rising edge | $n_{SCK} = 16$ bits, $f_{WS} = 48kHz$ or $44.1kHz$ | 13e-3 x t_{SCK} | 16e-3 x t_{SCK} | ns |
| | | | $n_{SCK} = 24$ bits, $f_{WS} = 96kHz$ | 39e-3 x t_{SCK} | 48e-3 x t_{SCK} | |
| | | | $n_{SCK} = 32$ bits, $f_{WS} = 192kHz$ | 0.1 x t_{SCK} | 0.13 x t_{SCK} | |
| SCK Jitter (8-Channel TDM) | t_{jSCK2} | $t_{SCK} = 1/f_{SCK}$, (cycle-to-cycle), rising-to-rising edge | $n_{SCK} = 16$ bits, $f_{WS} = 48kHz$ or $44.1kHz$ | 52e-3 x t_{SCK} | 64e-3 x t_{SCK} | ns |
| | | | $n_{SCK} = 24$ bits, $f_{WS} = 96kHz$ | 156e-3 x t_{SCK} | 192e-3 x t_{SCK} | |
| | | | $n_{SCK} = 32$ bits, $f_{WS} = 192kHz$ | 0.4 x t_{SCK} | 0.52 x t_{SCK} | |
| Audio Skew Relative to Video | t_{ASK} | Video and audio synchronized | | 3 x t_{WS} | 4 x t_{WS} | μs |
| SCK, SD, WS Rise-and-Fall Time | t_R, t_F | 20% to 80% | $C_L = 10pF$, DCS = 1 | 0.3 | 3.1 | ns |
| | | | $C_L = 5pF$, DCS = 0 | 0.4 | 3.8 | |
| SD, WS Valid Time Before SCK (2-Channel I ² S) | t_{DVB1} | $t_{SCK} = 1/f_{SCK}$, Figure 15 | 0.20 x t_{SCK} | 0.5 x t_{SCK} | | ns |
| SD, WS Valid Time After SCK (2-Channel I ² S) | t_{DVA1} | $t_{SCK} = 1/f_{SCK}$, Figure 15 | 0.20 x t_{SCK} | 0.5 x t_{SCK} | | ns |
| SD, WS Valid Time Before SCK (8-Channel TDM) | t_{DVB2} | $t_{SCK} = 1/f_{SCK}$, Figure 15 | 0.20 x t_{SCK} | 0.5 x t_{SCK} | | ns |
| SD, WS Valid Time After SCK (8-Channel TDM) | t_{DVA2} | $t_{SCK} = 1/f_{SCK}$, Figure 15 | 0.20 x t_{SCK} | 0.5 x t_{SCK} | | ns |

Note 3: Limits are 100% production tested at $T_A = +25^\circ C$. Limits over the operating temperature range are guaranteed by design and characterization, unless otherwise noted.

Note 4: I_{IN} MIN due to voltage drop across the internal pullup resistor.

Note 5: Not production tested. Guaranteed by design.

Note 6: To provide a mid level, leave the input open, or, if driven, put driver in high impedance. High-impedance leakage current must be less than $\pm 10\mu A$.

Note 7: I_{IOVDD} not production tested. HDCP not enabled (MAX9282 only). See [Table 21](#) for additional supply current when HDCP is enabled

Note 8: Specified pin to ground.

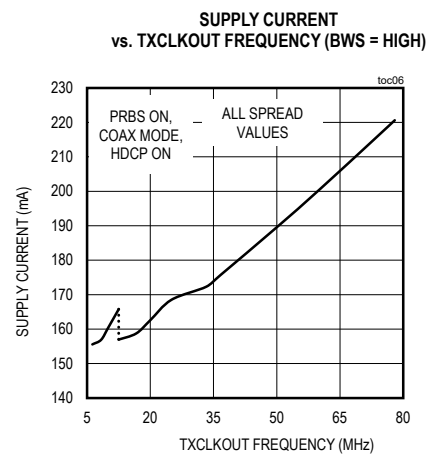
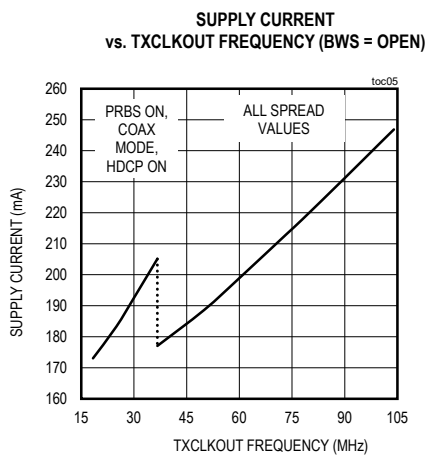
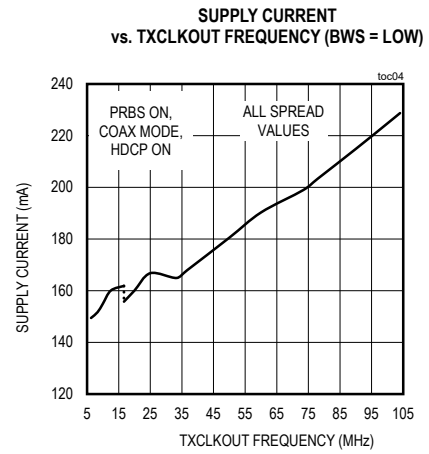
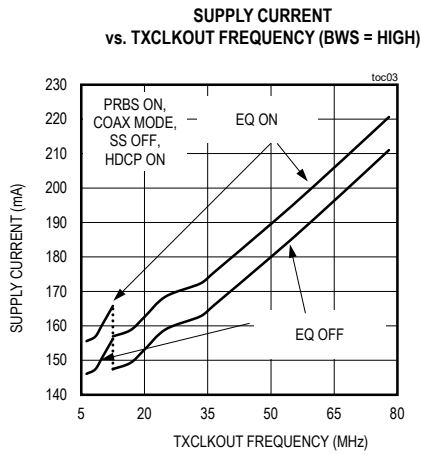
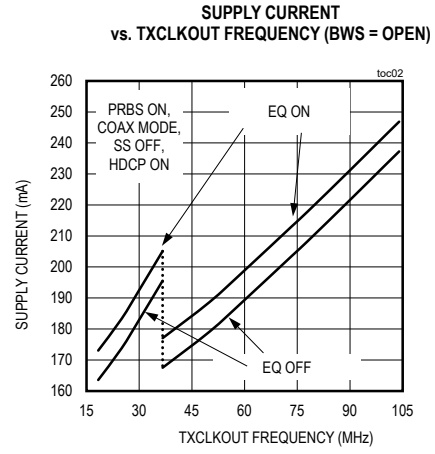
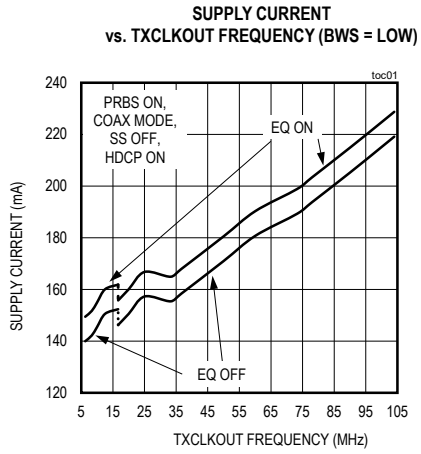
Note 9: Specified pin to all supply/ground.

Note 10: Not production tested, guaranteed by bench characterization.

Note 11: Measured in pixel clock bit times. $t_{PCLK} = 1/x f_{TXCLKOUT_}$.

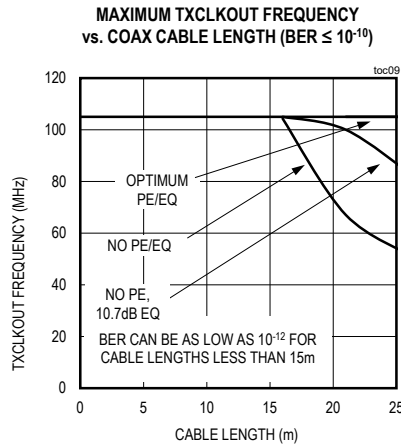
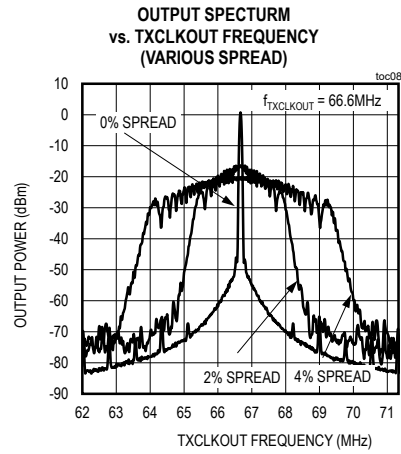
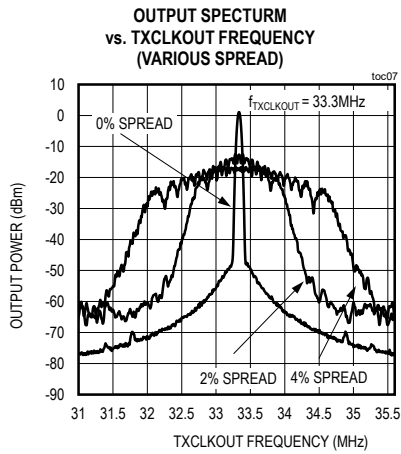
Typical Operating Characteristics

($V_{AVDD} = V_{DVDD} = V_{IOVDD} = 3.3V$, $T_A = +25^\circ C$, unless otherwise noted.)

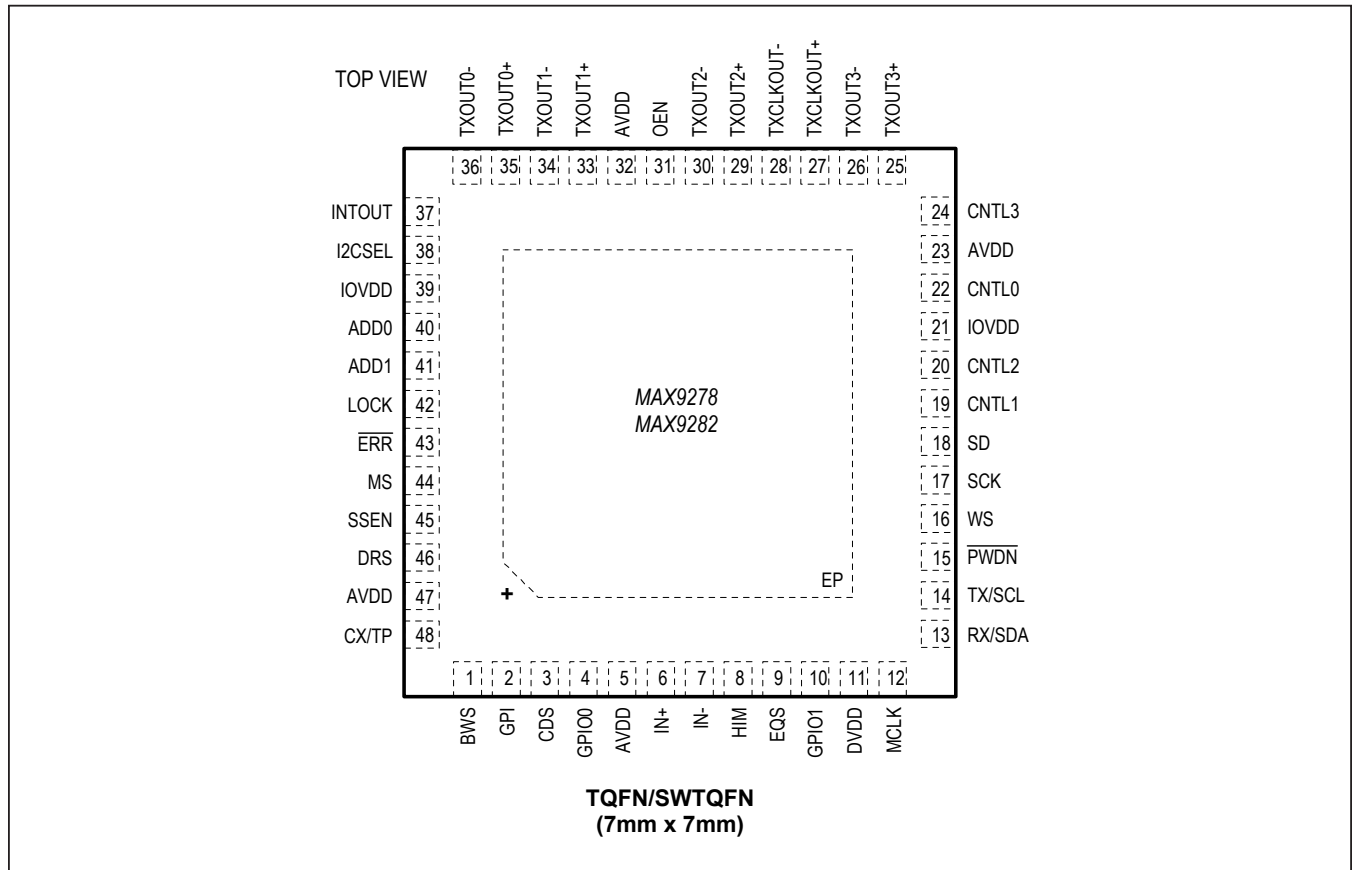


Typical Operating Characteristics (continued)

($V_{AVDD} = V_{DVDD} = V_{IOVDD} = 3.3V$, $T_A = +25^\circ C$, unless otherwise noted.)



Pin Configuration



Pin Description

| PIN | NAME | FUNCTION |
|---------------|-------|--|
| 1 | BWS | Three-Level Bus Width Select Input. Set BWS to the same level on both sides of the serial link. Set BWS = low for 3-channel mode. Set BWS = high for 4-channel mode. Set BWS = open for high-bandwidth mode. |
| 2 | GPI | General-Purpose Input with Internal Pulldown to EP. The serializer GPO (or INT) output follows GPI. |
| 3 | CDS | Control Channel Direction Select Input with Internal Pulldown to EP. Set CDS = high when a control-channel master μC is connected at the deserializer. set CDS = low when a control-channel master μC is connected at the serializer. |
| 4 | GPIO0 | Open-Drain, General-Purpose Input/Output with Internal 60k Ω Pullup to IOVDD |
| 5, 23, 32, 47 | AVDD | 3.3V Analog Power Supply. Bypass AVDD to EP with 0.1 μF and 0.001 μF capacitors as close as possible to the device with the smaller capacitor closest to AVDD. |
| 6 | IN+ | Noninverting Coax/Twisted-Pair Serial Input |
| 7 | IN- | Inverting Coax/Twisted-Pair Serial Input |
| 8 | HIM | High-Immunity Mode Input with Internal Pulldown to EP. Default HIGHIMM bit value is latched at power-up or when resuming from power-down mode ($\overline{\text{PWN}} = \text{low}$) and is active-high. HIGHIMM can be programmed to a different value after power-up. HIGHIMM in the serializer must be set to the same value. |

Pin Description (continued)

| PIN | NAME | FUNCTION |
|--------|--------------------------|---|
| 9 | EQS | Equalizer Select Input with Internal Pulldown to EP. The state of EQS is latched at power-up or when resuming from power-down mode ($\overline{\text{PWDN}} = \text{low}$). EQS = low selects 10.7dB boost. EQS = high selects 5.7dB boost. |
| 10 | GPIO1 | Open-Drain, General-Purpose Input/Output with Internal 60k Ω Pullup to IOVDD |
| 11 | DVDD | 3.3V Digital Power Supply. Bypass DVDD to EP with 0.1 μF and 0.001 μF capacitors as close as possible to the device with the smaller value capacitor closest to DVDD. |
| 12 | MCLK | Master Clock Output. See the <i>Additional MCLK Output for Audio Applications</i> section. |
| 13 | RX/SDA | UART Receive/I ² C Serial-Data Input/Output with Internal 30k Ω Pullup to IOVDD. Function is determined by the state of I2CSEL at power-up. RX/SDA has an open-drain driver and requires a pullup resistor. RX: Input of the serializer's UART. SDA: Data input/output of the serializer's I ² C master/slave. |
| 14 | TX/SCL | UART Transmit/I ² C Serial-Clock Input/Output with Internal 30k Ω Pullup to IOVDD. Function is determined by the state of I2CSEL at power-up. TX/SCL has an open-drain driver and requires a pullup resistor. TX: Output of the serializer's UART. SCL: Clock input/output of the serializer's I ² C master/slave. |
| 15 | $\overline{\text{PWDN}}$ | Active-Low, Power-Down Input with Internal Pulldown to EP. Set $\overline{\text{PWDN}}$ low to enter power-down mode to reduce power consumption. |
| 16 | WS | I ² S/TDM Word-Select Input/Output. Powers up as an I ² S output (deserializer-provided clock). Set AUDIOMODE bit = 1 to change WS to an input with internal pulldown to GND and supply WS externally (system provided clock). |
| 17 | SCK | I ² S/TDM Serial-Clock Input/Output. Powers up as an I ² S output (deserializer-provided clock). Set AUDIOMODE bit = 1 to change SCK to an input with internal pulldown to GND and supply SCK externally (system provided clock). |
| 18 | SD | I ² S/TDM Serial-Data Output. Disable I ² S/TDM encoding to serial data to use SD as an additional control/data output valid on the selected edge of TXCLKOUT_. Encrypted when HDCP is enabled (MAX9282 only). |
| 19 | CNTL1 | Auxiliary Control-Signal Output. CNTL1 remains high impedance in 24-bit mode (BWS = low) CNTL1 used only in 32-bit or high-bandwidth mode (BWS = high or open). CNTL1 not encrypted when HDCP is enabled (MAX9282 only) |
| 20 | CNTL2 | Auxiliary Control-Signal Output. CNTL2 remains high impedance in 24-bit mode (BWS = low). CNTL2 used only in 32-bit or high-bandwidth mode (BWS = high or open). CNTL2 not encrypted when HDCP is enabled (MAX9282 only). |
| 21, 39 | IOVDD | I/O Supply Voltage. 1.8V to 3.3V logic I/O power supply. Bypass IOVDD to EP with 0.1 μF and 0.001 μF capacitors as close as possible to the device with the smallest value capacitor closest to IOVDD. |
| 22 | CNTL0 | Auxiliary Control-Signal Output. CNTL0: Used only in high-bandwidth mode (BWS = open). CNTL0 not encrypted when HDCP is enabled (MAX9282 only). |
| 24 | CNTL3 | Auxiliary Control-Signal Output. CNTL3: Used only in high-bandwidth mode (BWS = open). CNTL3 not encrypted when HDCP is enabled (MAX9282 only). |

Pin Description (continued)

| PIN | NAME | FUNCTION |
|-----------------------------|-------------------------|--|
| 25, 26, 29, 30, 33–36 | TXOUT_+, TXOUT_- | LVDS Data Output. Output use depends on BWS pin setting (Table 3). Certain data bits encrypted when HDCP is enabled (MAX9282 only). |
| 27, 28 | TXCLKOUT+, TXCLKOUT- | LVDS Clock Output |
| 31 | OEN | CMOS Output-Enable Input with Internal Pulldown to EP. Set OEN high to enable MCLK, CNTL0, CNTL3, and INTOUT. Set OEN = low to put MCLK CNTL0, CNTL3, and INTOUT into high impedance. |
| 37 | INTOUT | A/V Status Register Interrupt Output. Indicates new data in the A/V status registers. INTOUT is reset when the A/V status registers are read. |
| 38 | I2CSEL | I ² C Select. Control-channel interface protocol select input with internal pulldown to EP. Set I2CSEL = high to select I ² C-to-I ² C interface. Set I2CSEL = low to select UART-to-UART or UART-to-I ² C interface. |
| 40 | ADD0 | Three-Level Address Selection Input with Internal Pulldown to EP. The state of ADD0 is latched at power-up or when resuming from power-down mode ($\overline{\text{PWDN}}$ = low). See Table 1. |
| 41 | ADD1 | Three-Level Address Selection Input with Internal Pulldown to EP. The state of ADD1 is latched at power-up or when resuming from power-down mode ($\overline{\text{PWDN}}$ = low). See Table 1. |
| 42 | LOCK | Open-Drain Lock Output with Internal 30k Ω Pullup to IOVDD. LOCK = high indicates that PLLs are locked with correct serial-word-boundary alignment. LOCK = low indicates that PLLs are not locked or an incorrect serial-word-boundary alignment. LOCK is high when $\overline{\text{PWDN}}$ = low. |
| 43 | $\overline{\text{ERR}}$ | Error Output. Open-drain data error detection and/or correction indication output with internal 30k Ω pullup to IOVDD. $\overline{\text{ERR}}$ is high when $\overline{\text{PWDN}}$ is low. |
| 44 | MS | Mode Select with Internal Pulldown to EP. MS sets the control-link mode when CDS = high. Set MS = low to select base mode. Set MS = high to select bypass mode. MS sets the power-up state when CDS = low (see Figure 41). |
| 45 | SSEN | Spread-Spectrum Enable Input with Internal Pulldown to EP (Default). The state of SSEN is latched at power-up or when resuming from power-down mode ($\overline{\text{PWDN}}$ = low). Set SSEN = high for 2% spread spectrum on the LVDS and control outputs. Set SSEN = low to use the LVDS and control outputs without spread spectrum. |
| 46 | DRS | Data-Rate Select Input with Internal Pulldown to EP (Default). The state of DRS is latched at power-up or when resuming from power-down mode ($\overline{\text{PWDN}}$ = low). Set DRS = high for slow TXCLKOUT_ frequencies (Table 4). Set SSEN = low for fast TXCLKOUT_ frequencies. |
| 48 | CX/TP | Three-Level Coax/Twisted-Pair Select Input. See Table 10 for function. |
| — | EP | Exposed Pad. EP is internally connected to device ground. MUST connect EP to the PCB ground plane through an array of vias for proper thermal and electrical performance. |



Figure 1. Reverse Control-Channel Output Parameters



Figure 2. Test Circuit for Differential Input Measurement

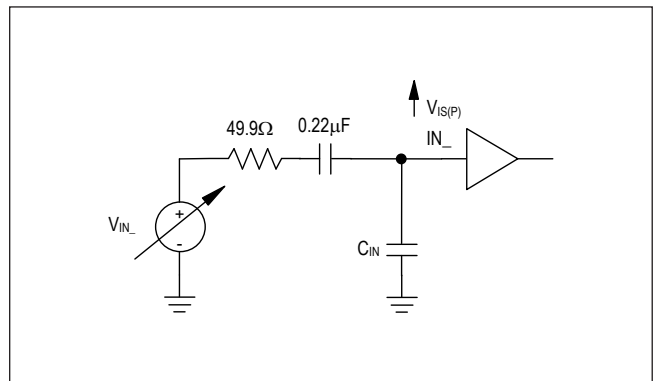


Figure 3. Test Circuit for Single-Ended Input Measurement

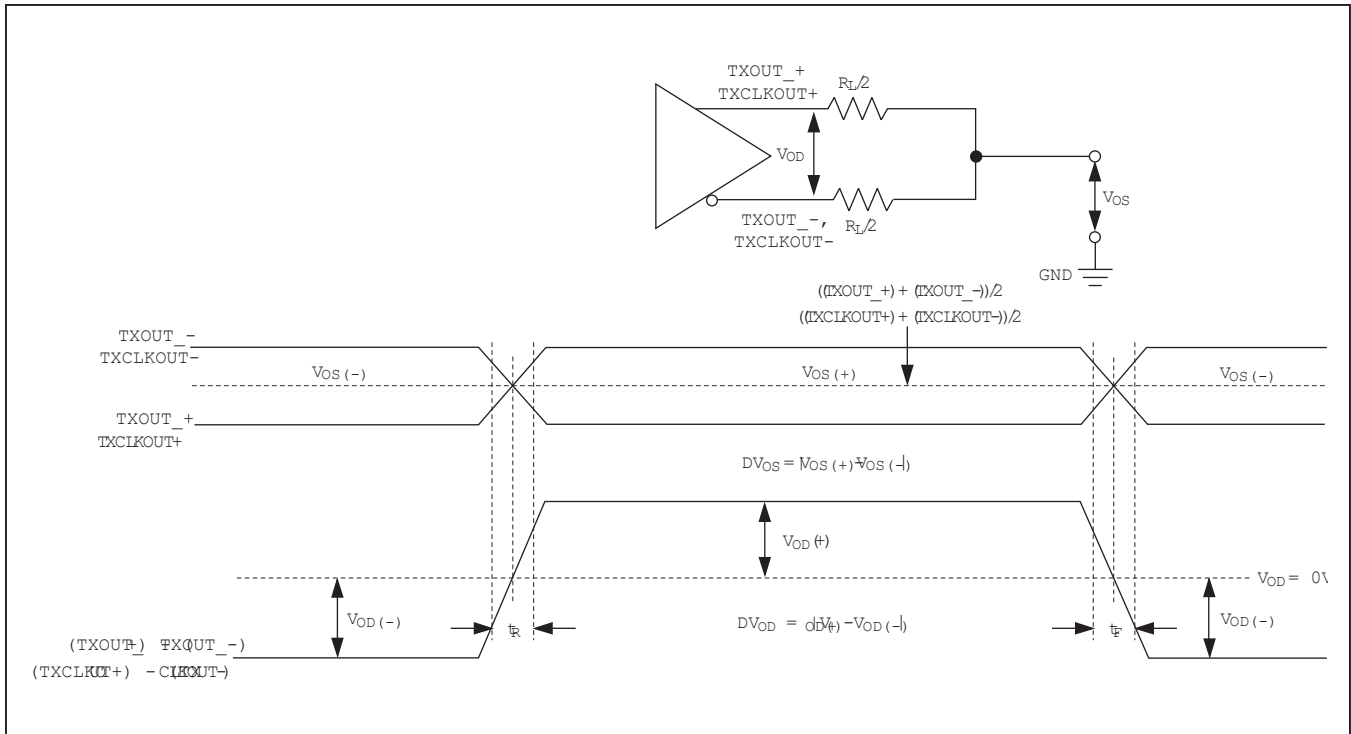


Figure 4. LVDS Output Parameters



Figure 5. Worst-Case Pattern Output



Figure 6. I²C Timing Parameters

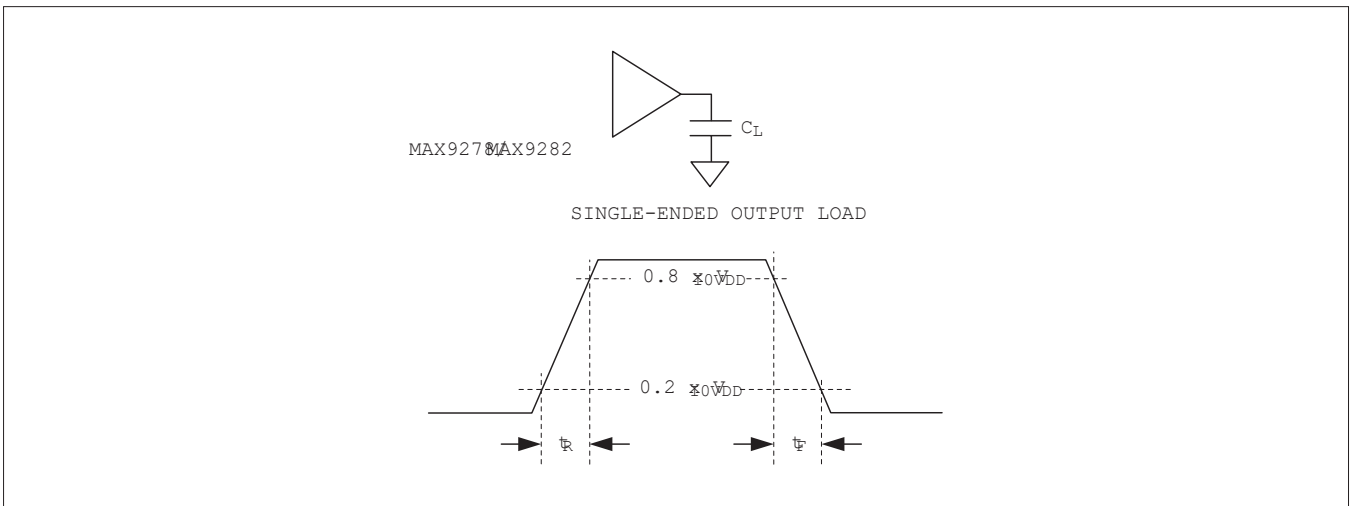


Figure 7. Parallel Clock Output Requirements



Figure 8. Output Pulse Positions



Figure 9. Enable and Disable Time Test Circuit

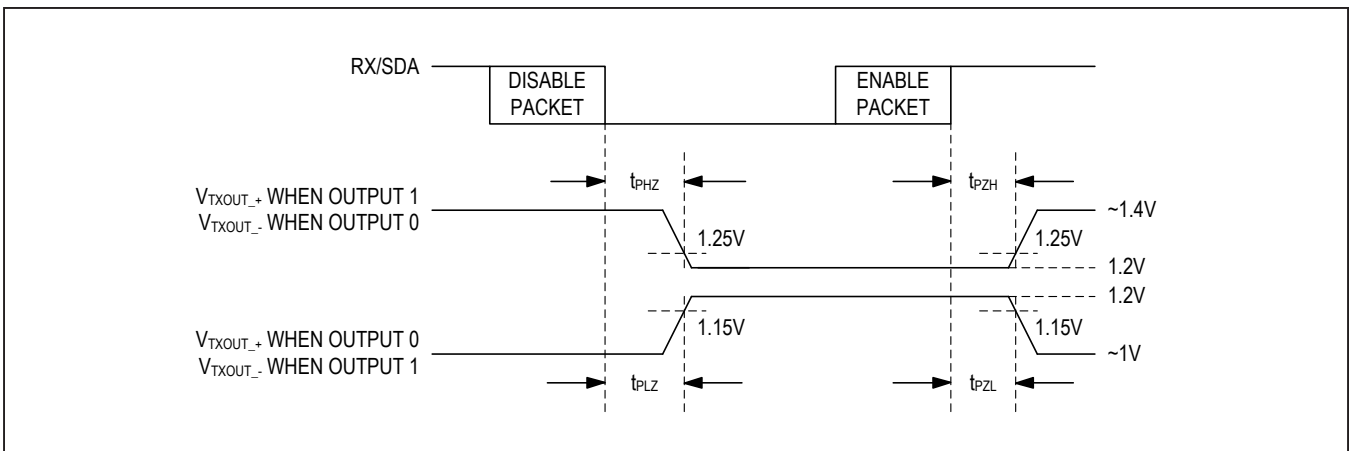


Figure 10. LVDS Enable and Disable Time

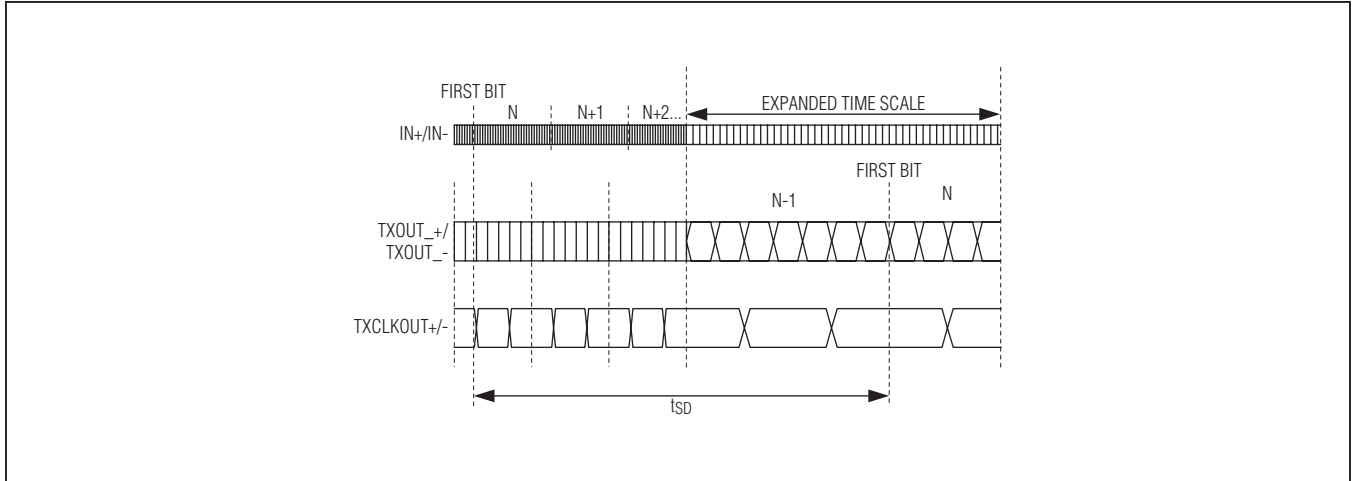


Figure 11. Deserializer Delay

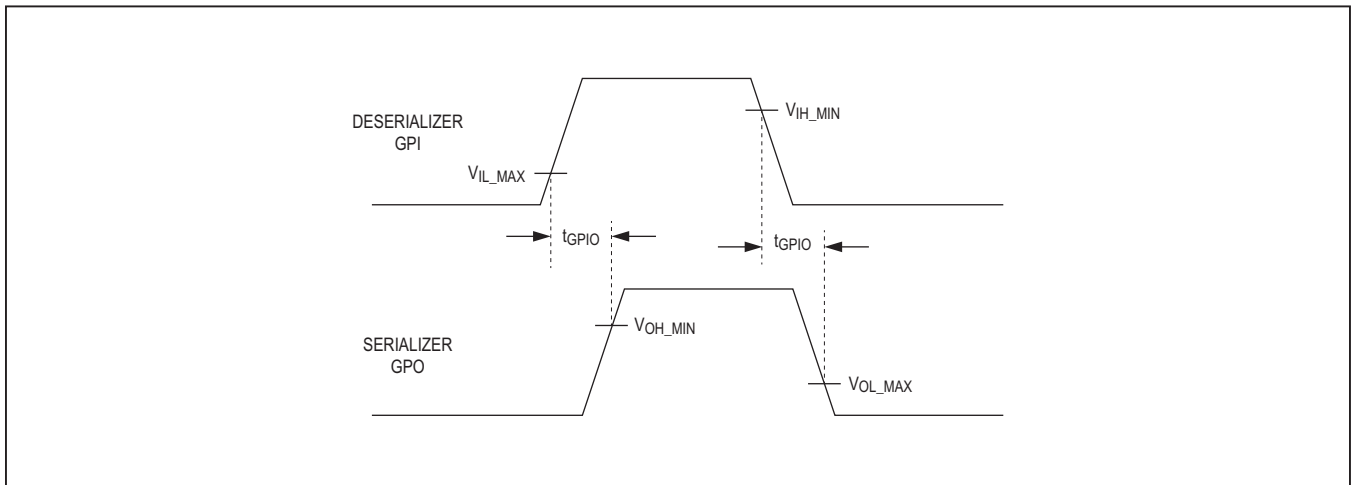


Figure 12. GPI-to-GPO Delay



Figure 13. Lock Time



Figure 14. Power-Up Delay



Figure 15. Output I²S Timing Parameters

Detailed Description

The MAX9278/MAX9282 deserializers, when paired with the MAX9275/MAX9277/MAX9279/MAX9281 serializers, provide the full set of operating features, but are backward compatible with the MAX9249–MAX9270 family of gigabit multimedia serial link (GMSL) devices, and have basic functionality when paired with any GMSL device. The MAX9282 has high-bandwidth digital content protection (HDCP), while the MAX9278 does not.

The deserializers have a maximum serial-bit rate of 3.12Gbps for up to 15m of cable and operates up to a maximum output clock of 104MHz in 24-bit 3-channel mode and 27-bit high-bandwidth mode, or 78MHz in 32-bit 4-channel mode. This bit rate and output flexibility support a wide range of displays, from QVGA (320 x 240) to 1920 x 720 and higher with 24-bit color, as well as megapixel image sensors. An encoded audio channel supports L-PCM I²S stereo and up to eight channels of L-PCM in TDM mode. Sample rates of 32kHz to 192kHz are supported with sample depth from 8 to 32 bits. Input equalization, combined with GMSL serializer pre/deemphasis, extends the cable length and enhances link reliability.

The control channel enables a μ C to program the serializer and deserializer registers and program registers on peripherals. The control channel is also used to perform HDCP functions (MAX9282 only). The μ C can be located at either end of the link, or when using two μ Cs, at both ends. Two modes of control-channel operation are available. Base mode uses either I²C or GMSL UART protocol, while bypass mode uses a user-defined UART protocol. UART protocol allows full-duplex communication, while I²C allows half-duplex communication.

Spread spectrum is available to reduce EMI on the LVDS output. The serial input complies with ISO 10605 and IEC 61000-4-2 ESD protection standards.

Register Mapping

Registers set the operating conditions of the deserializers and are programmed using the control channel in base mode. The MAX9278/MAX9282 holds its own device address and the device address of the serializer it is paired with. Similarly, the serializer holds its own device address and the address of the MAX9278/MAX9282. Whenever a device address is changed, be sure to write the new address to both devices. The default device address of the deserializer is set by the ADD[1:0] and CX/TP inputs (see Table 1). Registers 0x00 and 0x01 in both devices hold the device addresses.

Table 1. Device Address Defaults (Register 0x00, 0x01)

| PIN | | | DEVICE ADDRESS (BIN) | | | | | | | | SERIALIZER DEVICE ADDRESS (hex) | DESERIALIZER DEVICE ADDRESS (hex) |
|----------|------|------|----------------------|----|----|----|----|----|----|------------------|---------------------------------|-----------------------------------|
| CX/TP** | ADD1 | ADD0 | D7 | D6 | D5 | D4 | D3 | D2 | D1 | D0 | | |
| High/Low | Low | Low | 1 | 0 | 0 | X* | 0 | 0 | 0 | R \overline{W} | 80 | 90 |
| High/Low | Low | High | 1 | 0 | 0 | X* | 0 | 1 | 0 | R \overline{W} | 84 | 94 |
| High/Low | Low | Open | 1 | 0 | 0 | X* | 1 | 0 | 0 | R \overline{W} | 88 | 98 |
| High/Low | High | Low | 1 | 1 | 0 | X* | 0 | 0 | 0 | R \overline{W} | C0 | D0 |
| High/Low | High | High | 1 | 1 | 0 | X* | 0 | 1 | 0 | R \overline{W} | C4 | D4 |
| High/Low | High | Open | 1 | 1 | 0 | X* | 1 | 0 | 0 | R \overline{W} | C8 | D8 |
| High/Low | Open | Low | 0 | 1 | 0 | X* | 0 | 0 | 0 | R \overline{W} | 40 | 50 |
| High/Low | Open | High | 0 | 1 | 0 | X* | 0 | 1 | 0 | R \overline{W} | 44 | 54 |
| High/Low | Open | Open | 0 | 1 | 0 | X* | 1 | 0 | 0 | R \overline{W} | 48 | 58 |
| Open | Low | Low | 1 | 0 | 0 | X* | 0 | 0 | X* | R \overline{W} | 80 | 92 |
| Open | Low | High | 1 | 0 | 0 | X* | 0 | 1 | X* | R \overline{W} | 84 | 96 |
| Open | Low | Open | 1 | 0 | 0 | X* | 1 | 0 | X* | R \overline{W} | 88 | 9A |
| Open | High | Low | 1 | 1 | 0 | X* | 0 | 0 | X* | R \overline{W} | C0 | D2 |
| Open | High | High | 1 | 1 | 0 | X* | 0 | 1 | X* | R \overline{W} | C4 | D6 |
| Open | High | Open | 1 | 1 | 0 | X* | 1 | 0 | X* | R \overline{W} | C8 | DA |
| Open | Open | Low | 0 | 1 | 0 | X* | 0 | 0 | X* | R \overline{W} | 40 | 52 |
| Open | Open | High | 0 | 1 | 0 | X* | 0 | 1 | X* | R \overline{W} | 44 | 56 |
| Open | Open | Open | 0 | 1 | 0 | X* | 1 | 0 | X* | R \overline{W} | 48 | 5A |

*X = 0 for the serializer address; X = 1 for the deserializer address.

**CX/TP determine the serial cable type; CX/TP = open addresses only for coax mode.

Output Bit Map

The output bit width depends on settings of the bus width (BWS) pin. [Table 2](#) lists the bit map. Unused output bits are pulled low.

Serial Link Signaling and Data Format

The serializer uses differential CML signaling to drive twisted-pair cable and single-ended CML to drive coaxial cable with programmable pre/deemphasis and AC-coupling. The deserializer uses AC-coupling and programmable channel equalization.

Input data is scrambled and then 8b/10b coded (9b/10b in high-bandwidth mode). The deserializer recovers the embedded serial clock, then samples, decodes, and descrambles the data. In 3-channel mode, the first 21 bits contain video data. In 4-channel mode, the first 29 bits contain video data. In high-bandwidth mode, the first 24 bits contain video data, or special control signal packets. The last 3 bits contain the embedded audio channel, the embedded forward control channel, and the parity bit of the serial word ([Figure 18](#), [Figure 19](#), [Figure 20](#)).

Table 2. Output Map (See Figure 16 and Figure 17)

| SIGNAL | INPUT PIN/BIT POSITION | MODE | | |
|----------------------|------------------------------------|-------------------------------|-------------------------------------|--------------------------------|
| | | 3-CHANNEL MODE (BWS = LOW) | HIGH-BANDWIDTH MODE (BWS = OPEN) | 4-CHANNEL MODE (BWS = HIGH) |
| R[5:0] | DOUT[5:0] | Used | Used | Used |
| G[5:0] | DOUT [11:6] | Used | Used | Used |
| B[5:0] | DOUT [17:12] | Used | Used | Used |
| HS, VS, DE | DOUT18/HS, DOUT19/VS, DOUT20/DE | Used** | Used** | Used** |
| R[7:6] | DOUT [22:21] | Used+ | Used | Used |
| G[7:6] | DOUT [24:23] | Used+ | Used | Used |
| B[7:6] | DOUT [26:25] | Used+ | Used | Used |
| RES, CNTL[2:1] | RES, CNTL[2:1] | Not used | Used*/** | Used** |
| CNTL3, CNTL0 | CNTL3, CNTL0 | Not used | Used*/** | Not used |
| I ² S/TDM | WS, SCK, SD | Used | Used | Used |
| AUX SIGNAL | | Used | Used | Used |

*See the *High-Bandwidth Mode* section for details on timing requirements.

+Outputs used only when the respective color lookup tables are enabled.

**Not encrypted when HDCP is enabled (MAX9282 only).

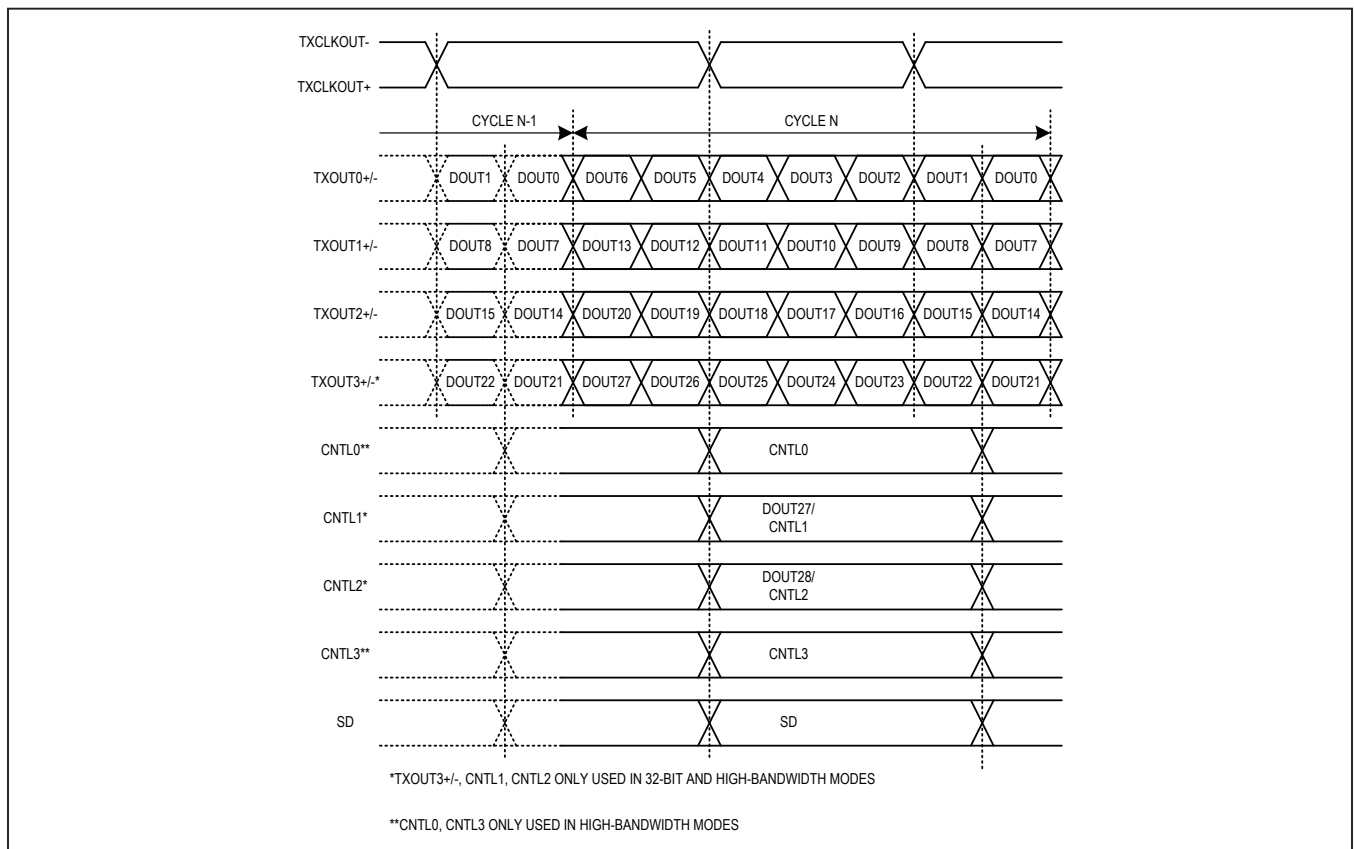


Figure 16. LVDS Input Timing

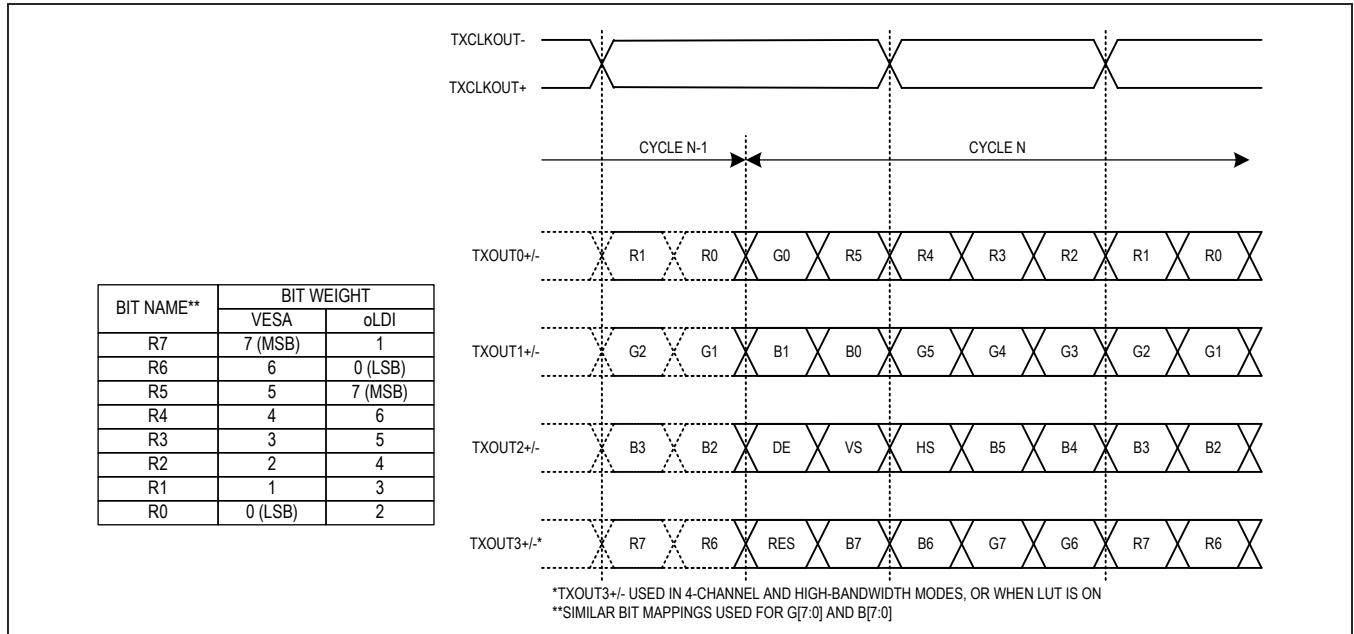


Figure 17. LVDS Clock and Bit Assignment

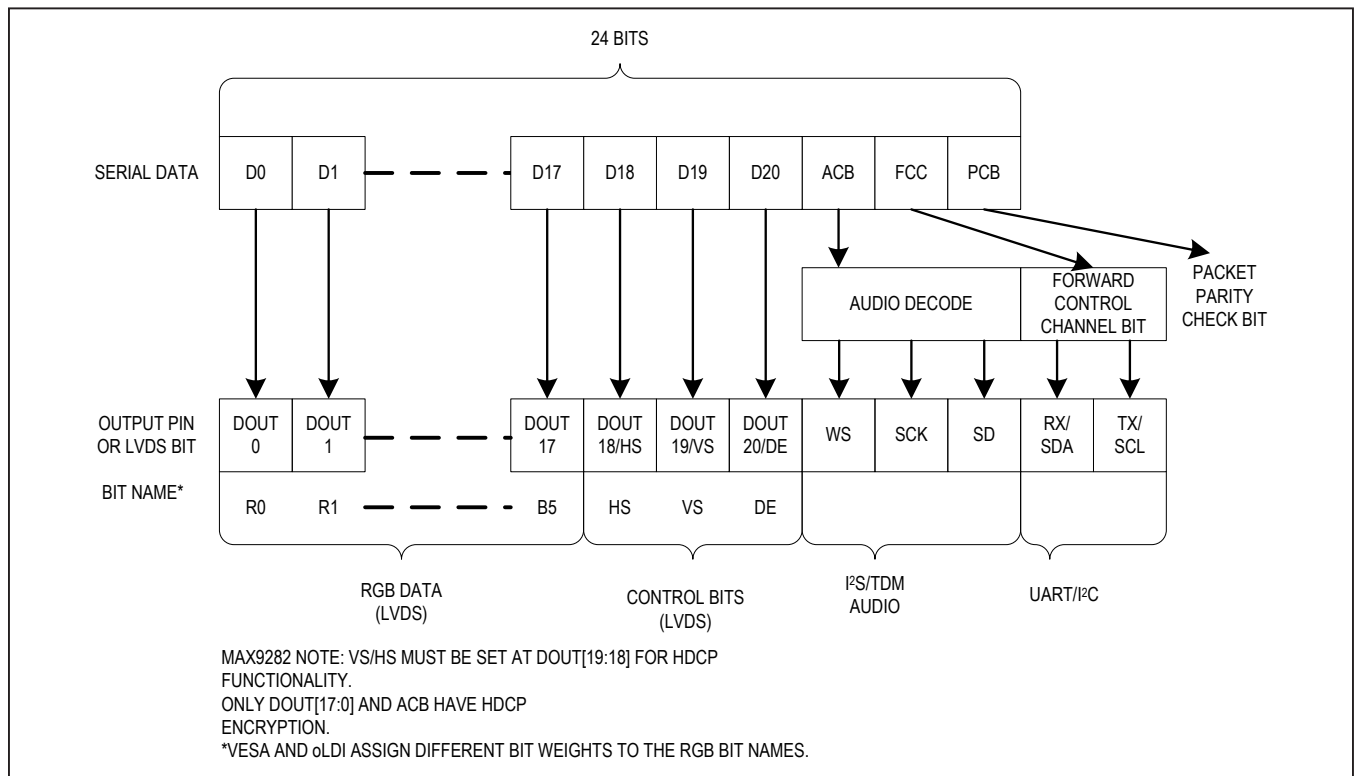


Figure 18. 24-Bit Mode Serial-Data Format

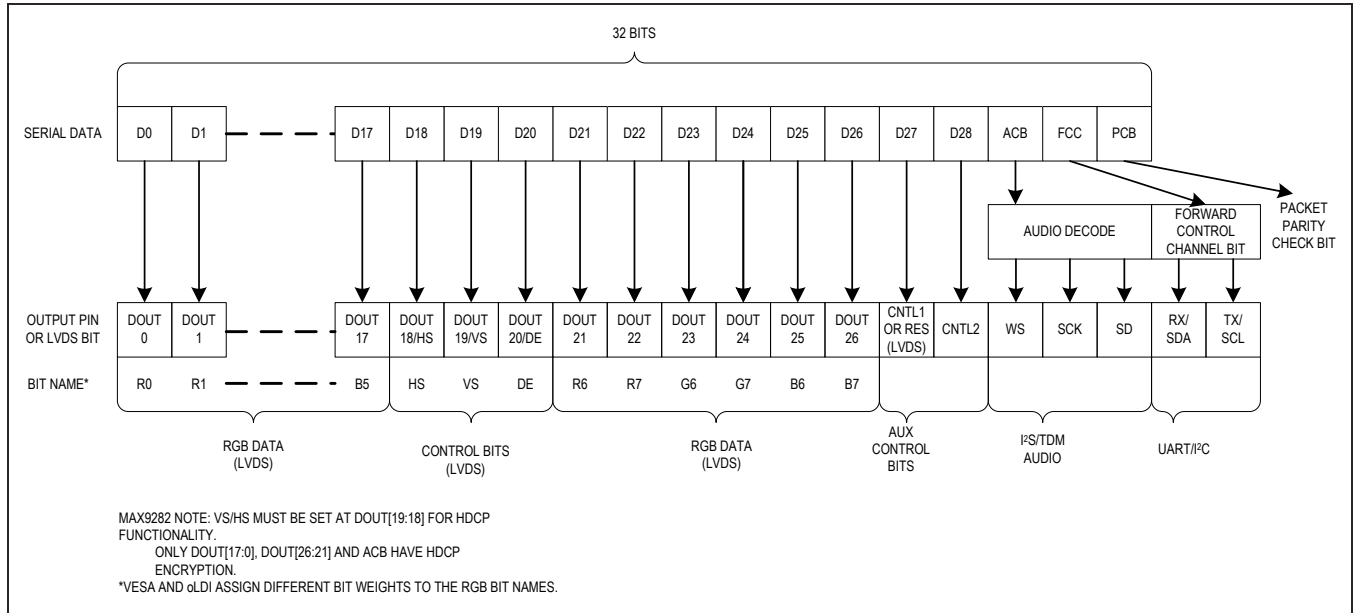


Figure 19. 32-Bit Mode Serial-Data Format

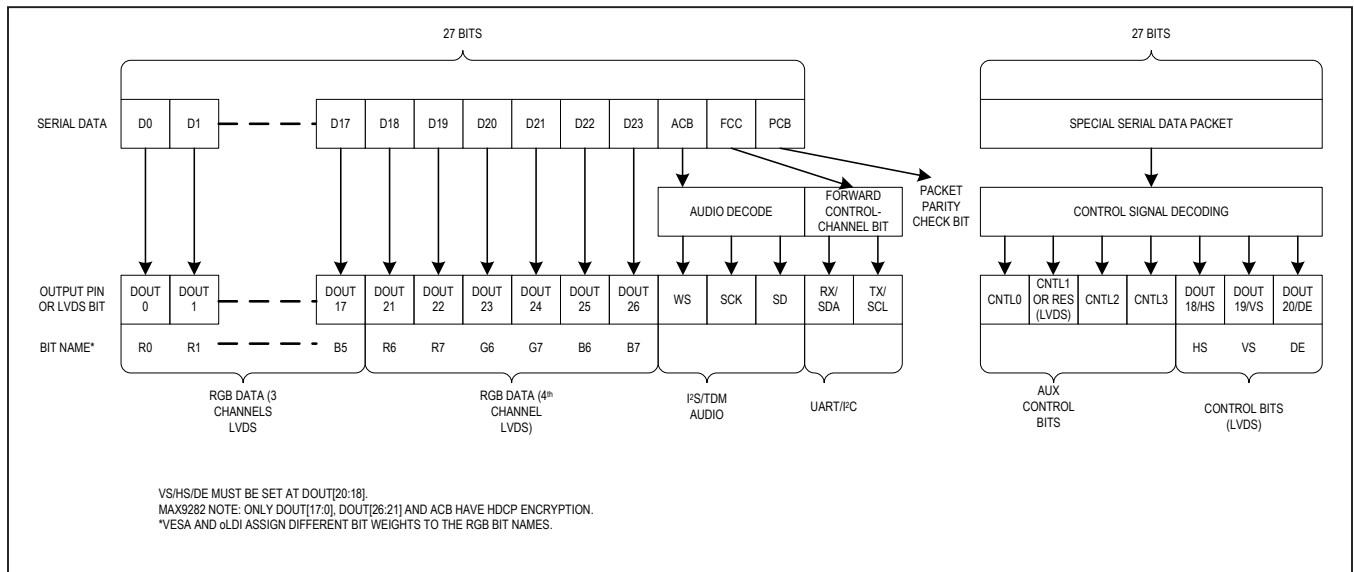


Figure 20. High-Bandwidth Mode Serial-Data Format

Table 3. Data-Rate Selection Table

| DRS BIT SETTING | BWS PIN SETTING | PCLKOUT RANGE (MHz) |
|--------------------|---------------------------|---------------------|
| 0 (high data rate) | Low (24-bit mode) | 16.66 to 104 |
| | Mid (high bandwidth mode) | 36.66 to 104 |
| | High (32-bit mode) | 12.5 to 78 |
| 1 (low data rate) | Low | 8.33 to 16.66 |
| | Mid | 18.33 to 36.66 |
| | High | 6.25 to 12.5 |

The deserializer uses the DRS bit and the BWS input to set the TXCLKOUT frequency range (Table 3). Set DRS = 1 for low data rate TXCLKOUT frequency range. Set DRS = 0 for high data rate TXCLKOUT frequency range.

High-Bandwidth Mode

The deserializer uses a 27-bit high-bandwidth mode to support 24-bit RGB at 104MHz pixel clock. Set BWS = open in both the serializer and deserializer to use high-bandwidth mode. In high-bandwidth mode, the deserializer decodes HS, VS, DE, and CNTL[3:0] from special packets. Packets are sent by replacing a pixel before the rising edge and after the falling edge of the HS, VS, and DE signals. However, for CNTL[3:0], packets always replace a pixel before the transition of CNTL[3:0]. Keep HS, VS, and DE low pulse widths at least 2 pixel clock cycles. By default, CNTL[3:0] are sampled continuously when DE is low. CNTL[3:0] are sampled only on HS/VS transitions when DE is high. If DE triggering of encoded packets is not desired, set the serializer’s DISDETRIG = 0 and the CNTLTRIG bits to their desired value (register 0x15) to change the CNTL triggering behavior. Set DETREN = 0 on the deserializer when DE is not periodic.

Audio Channel

The audio channel supports 8kHz to 192kHz audio sampling rates and audio word lengths from 8 bits to 32 bits (2-channel I²S) or 64 to 256 bits (TDM64 to TDM256). The audio bit clock (SCK) does not have to be synchronized with TXCLKOUT. The serializer automatically encodes audio data into a single-bit stream synchronous with TXCLKOUT. The deserializer decodes the audio stream and stores audio words in a FIFO. Audio

rate detection uses an internal oscillator to continuously determine the audio data rate and output the audio in I²S format. The audio channel is enabled by default. When the audio channel is disabled, the SD/HIM is treated as an auxiliary control signal.

Since the encoded audio data sent through the serial link is synchronized with TXCLKOUT (through ACB), low TXCLKOUT frequencies limit the maximum audio sampling rate. Table 3 lists the maximum audio sampling rate for various TXCLKOUT frequencies. Spread-spectrum settings do not affect the I²S/TDM data rate or WS clock frequency.

Audio Channel Input

The audio channel input works with 8-channel TDM and stereo I²S, as well as nonstandard formats. The input format is shown in Figure 21.



Figure 21. Audio Channel Input Format

Table 4. Maximum Audio WS Frequency (kHz) for Various TXCLKOUT Frequencies

| CHANNELS | BITS PER CHANNEL | TXCLKOUT FREQUENCY (DRS = 0*) (MHz) | | | | | | | | | | |
|----------|------------------|---|-------|-------|-------|-------|-------|-------|-------|-------|-------|-----|
| | | 12.5 | 15.0 | 16.6 | 20.0 | 25.0 | 30.0 | 35.0 | 40.0 | 45.0 | 50.0 | 100 |
| 2 | 8 | + | + | + | + | + | + | + | + | + | + | + |
| | 16 | + | + | + | + | + | + | + | + | + | + | + |
| | 18 | 185.5 | + | + | + | + | + | + | + | + | + | + |
| | 20 | 174.6 | + | + | + | + | + | + | + | + | + | + |
| | 24 | 152.2 | 182.7 | + | + | + | + | + | + | + | + | + |
| | 32 | 123.7 | 148.4 | 164.3 | + | + | + | + | + | + | + | + |
| 4 | 8 | + | + | + | + | + | + | + | + | + | + | + |
| | 16 | 123.7 | 148.4 | 164.3 | + | + | + | + | + | + | + | + |
| | 18 | 112.0 | 134.4 | 148.8 | 179.2 | + | + | + | + | + | + | + |
| | 20 | 104.2 | 125.0 | 138.3 | 166.7 | + | + | + | + | + | + | + |
| | 24 | 88.6 | 106.3 | 117.7 | 141.8 | 177.2 | + | + | + | + | + | + |
| | 32 | 69.9 | 83.8 | 92.8 | 111.8 | 139.7 | 167.6 | + | + | + | + | + |
| 6 | 8 | 152.2 | 182.7 | + | + | + | + | + | + | + | + | + |
| | 16 | 88.6 | 106.3 | 117.7 | 141.8 | 177.2 | + | + | + | + | + | + |
| | 18 | 80.2 | 93.3 | 106.6 | 128.4 | 160.5 | + | + | + | + | + | + |
| | 20 | 73.3 | 88.0 | 97.3 | 117.3 | 146.6 | 175.9 | + | + | + | + | + |
| | 24 | 62.5 | 75.0 | 83.0 | 100 | 125 | 150 | 175 | + | + | + | + |
| | 32 | 48.3 | 57.9 | 64.1 | 77.2 | 96.5 | 115.9 | 135.2 | 154.5 | 173.8 | + | + |
| 8 | 8 | 123.7 | 148.4 | 164.3 | + | + | + | + | + | + | + | + |
| | 16 | 69.9 | 83.8 | 92.8 | 111.8 | 139.7 | 167.6 | + | + | + | + | + |
| | 18 | 62.5 | 75.0 | 83.0 | 100.0 | 125.0 | 150.0 | 175.0 | + | + | + | + |
| | 20 | 57.1 | 68.5 | 75.8 | 91.3 | 114.2 | 137.0 | 159.9 | 182.7 | + | + | + |
| | 24 | 48.3 | 57.9 | 64.1 | 77.2 | 96.5 | 115.9 | 135.2 | 154.5 | 173.8 | + | + |
| | 32 | 37.1 | 44.5 | 49.3 | 59.4 | 74.2 | 89.1 | 103.9 | 118.8 | 133.6 | 148.4 | + |

| COLOR CODING |
|-----------------|
| < 48kHz |
| 48kHz to 96kHz |
| 96kHz to 192kHz |
| > 192kHz |

+Max WS rate is greater than 192kHz.

*DRS = 0 TXCLKOUT frequency is equal to 2x the DRS = 1 TXCLKOUT frequency.

The period of the WS can be 8 to 256 SCK periods. The WS frame starts with the falling edge and can be low for 1 to 255 SCK periods. SD is one SCK period, sampled on the rising edge. MSB/LSB order, zero padding or any other significance assigned to the serial data does not

affect operation of the audio channel. The polarity for WS and SCK edges is programmable.

Figure 22, Figure 23, Figure 24, and Figure 25 are examples of acceptable input formats.

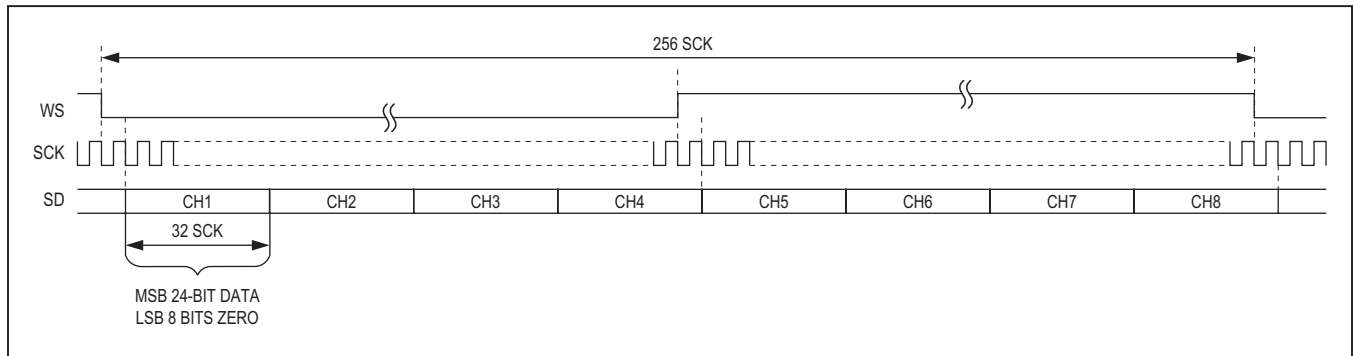


Figure 22. 8-Channel TDM (24-Bit Samples, Padded with Zeros)



Figure 23. 6-Channel TDM (24-Bit Samples, No Padding)



Figure 24. Stereo I²S (24-Bit Samples, Padded with Zeros)



Figure 25. Stereo I²S (16-Bit Samples, No Padding)

Audio Channel Output

WS, SCK, and SD are output with the same timing relationship they had at the audio input, except that WS is always 50% duty cycle (regardless of the duty cycle of WS at the input).

The output format is shown in [Figure 26](#).

WS and SCK can be driven by the audio source (clock master) or the audio sink (clock slave). Buffer underflow and overflow flags are available to the sink as clock slave through I²C for clock-frequency adjustment. Data are sampled on the rising edge. WS and SCK polarity are programmable.

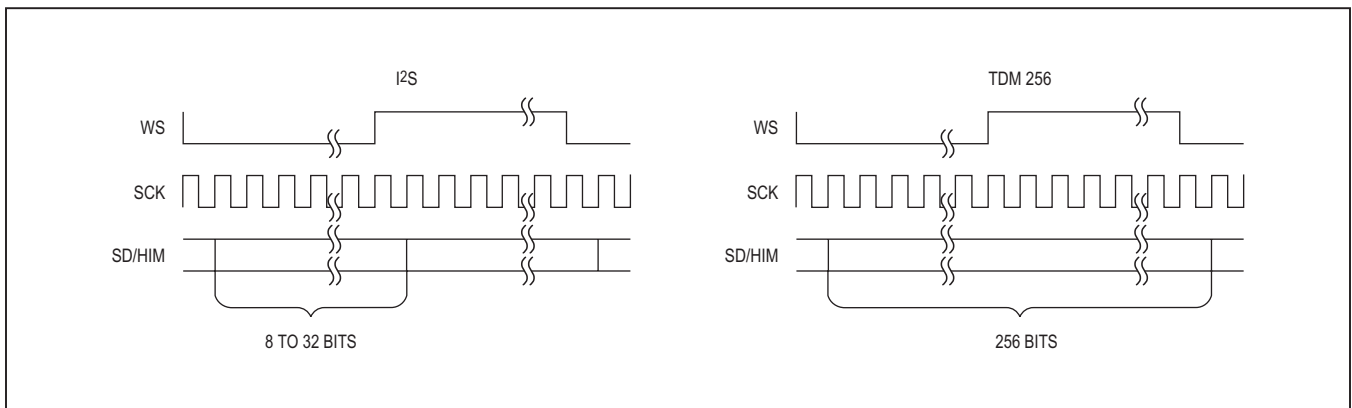


Figure 26. Audio Channel Output Format

Additional MCLK Output for Audio Applications

Some audio DACs, such as the MAX9850, do not require a synchronous main clock (MCLK), while other DACs require a separate MCLK for operation. For audio applications that cannot use WS or TXCLKOUT directly, the deserializer provides a divided MCLK output at either DOUT28/CNTL2 or CNTL0/ADD0 (determined by MCLKPIN bit setting) at the expense of one less control line. By default, MCLK is turned off. Set MCLKDIV (deserializer register 0x12, D[6:0]) to a nonzero value to enable the MCLK output. Set MCLKDIV to 0x00 to disable MCLK and set DOUT28/CNTL2 or CNTL0/ADD0 as a control output.

The output MCLK frequency is:

$$f_{\text{MCLK}} = \frac{f_{\text{SRC}}}{\text{MCLKDIV}}$$

where:

f_{SRC} is the MCLK source frequency (see [Table 5](#))

MCLKDIV is the divider ratio from 1 to 127

Choose MCLKDIV values so that f_{MCLK} is not greater than 60MHz. MCLK frequencies derived from TXCLKOUT (MCLKSRC = 0) are not affected by spread-spectrum settings in the deserializer. Enabling spread spectrum in the serializer, however, introduces spread spectrum into MCLK. Spread-spectrum settings of either device do not affect MCLK frequencies derived from the internal oscillator. The internal oscillator frequency ranges from 100MHz to 150MHz over all process corners and operating conditions. Alternatively, set MCLKWS = 1 (0x15 D1) to output WS from MCLK.

Table 5. f_{SRC} Settings

| MCLKWS SETTING (REGISTER 0x15, D1) | MCLKSRC SETTING (REGISTER 0x12, D7) | DATA RATE SETTING | BIT-WIDTH SETTING | MCLK SOURCE FREQUENCY (f_{SRC}) |
|---------------------------------------|--|-------------------------|-------------------------------|---|
| 0 | 0 | High speed (DRS = 0) | 24-bit or high-bandwidth mode | $3 \times f_{\text{TXCLKOUT}}$ |
| | | | 32-bit mode | $4 \times f_{\text{TXCLKOUT}}$ |
| | | Low speed (DRS = 1) | 24-bit or high-bandwidth mode | $6 \times f_{\text{TXCLKOUT}}$ |
| | | | 32-bit mode | $8 \times f_{\text{TXCLKOUT}}$ |
| | 1 | — | — | Internal oscillator (120MHz typ) |
| 1 | — | — | — | WS* |

*MCLK is not divided when using WS as the MCLK source. MCLK divider must still be set to a nonzero number for MCLK to be enabled.

Audio Output Timing Sources

The deserializer has multiple options for audio data output timing. By default, the deserializer provides the output timing based on the incoming data rate (through a FIFO) and an internal oscillator.

To use a system-sourced clock, set the AUDIOMODE bit to 1 (D5 of register 0x02) to set WS and SCK as inputs on the deserializer side. The deserializer uses a FIFO to smooth out the differences in input and output audio timing. Registers 0x78 and 0x79 store the FIFO overflow/underflow information for use with external WS/SCK timing. The FIFO drops data packets during FIFO overflow. By default, the FIFO repeats the last audio packet during FIFO underflow when no audio data is available. Set the AUDUFBEH bit (D2 of register 0x01D) to 1 to output all zeroes during underflow.

Reverse Control Channel

The serializer uses the reverse control channel to receive I²C/UART and GPO signals from the deserializer in the opposite direction of the video stream. The reverse control channel and forward video data coexist on the same serial cable forming a bidirectional link. The reverse control channel operates independently from the forward control channel. The reverse control channel is available 2ms after power-up. The serializer temporarily disables the reverse control channel for 500 μ s after starting/stopping the forward serial link.

Control Channel and Register Programming

The control channel is available for the μC to send and receive control data over the serial link simultaneously with the high-speed data. The μC controls the link from either the serializer or the deserializer side to support video-display or image-sensing applications. The control channel between the μC and serializer or deserializer runs in base mode or bypass mode according to the mode selection (MS) input of the device connected to the μC . Base mode is a half-duplex control channel and the bypass mode is a full-duplex control channel. The total maximum forward or reverse control-channel delay is $2\mu\text{s}$ (UART) or 2-bit times (I^2C) from the input of one device to the output of the other. I^2C delay is measured from a local START condition to a remote START condition.

UART Interface

In base mode, the μC is the host and can access the registers of both the serializer and deserializer from either side of the link using the GMSL UART protocol. The μC can also program the peripherals on the remote side by sending the UART packets to the serializer or deserializer, with the UART packets converted to I^2C by the device on the remote side of the link. The μC communicates with a UART peripheral in base mode (through INTTYPE register settings), using the half-duplex default GMSL UART protocol of the serializer/deserializer. The device addresses of the serializer and deserializer in base mode are programmable.

When the peripheral interface is I^2C , the serializer/deserializer converts UART packets to I^2C that have device addresses different from those of the serializer or deserializer. The converted I^2C bit rate is the same as the original UART bit rate.

The deserializer uses differential line coding to send signals over the reverse channel to the serializer. The bit rate of the control channel is 9.6kbps to 1Mbps in both directions. The serializer and deserializer automatically detect the control-channel bit rate in base mode. Packet bit-rate changes can be made in steps of up to 3.5 times higher or lower than the previous bit rate. See the [Changing the Clock Frequency](#) section for more information.

Figure 27 shows the UART protocol for writing and reading in base mode between the μC and the serializer/deserializer.

Figure 28 shows the UART data format. Even parity is used. Figure 29 and Figure 30 detail the formats of the SYNC byte (0x79) and the ACK byte (0xC3). The μC and the connected slave chip generate the SYNC byte and ACK byte, respectively. Events such as device wake-up and GPI generate transitions on the control channel that can be ignored by the μC . Data written to the deserializer registers do not take effect until after the acknowledge byte is sent. This allows the μC to verify that write commands are received without error, even if the result of the write command directly affects the serial link. The slave uses the SYNC byte to synchronize with the host UART's data rate. If the GPI or MS inputs of the deserializer toggle while there is control-channel communication, or if a line fault occurs, the control-channel communication will be corrupted. In the event of a missed or delayed acknowledge ($\sim 1\text{ms}$ due to control-channel timeout), the μC should assume there was an error in the packet transmission or response. In base mode, the μC must keep the UART Tx/Rx lines high no more than 4 bit times between bytes in a packet. Keep the UART Tx/Rx lines high for at least 16 bit times before starting to send a new packet.



Figure 27. GMSL UART Protocol for Base Mode

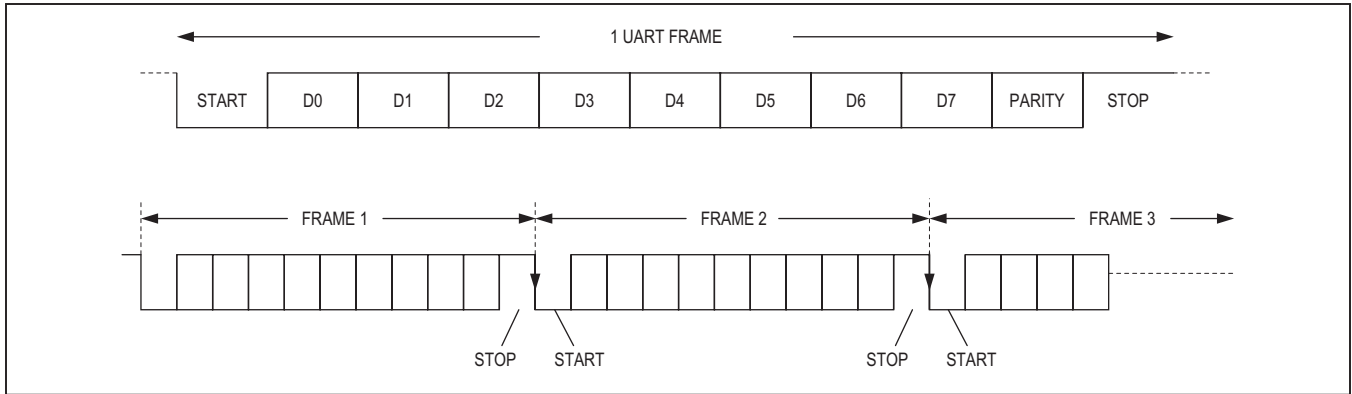


Figure 28. GMSL UART Data Format for Base Mode

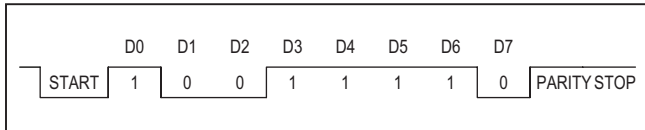


Figure 29. Sync Byte (0x79)

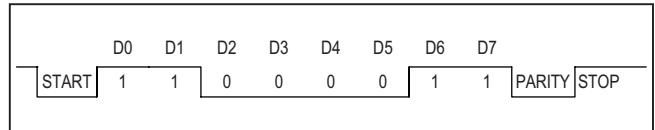


Figure 30. ACK Byte (0xC3)



Figure 31. Format Conversion Between GMSL UART and I2C with Register Address (I2CMETHOD = 0)

As shown in Figure 31, the remote-side device converts packets going to or coming from the peripherals from UART format to I2C format and vice versa. The remote

device removes the byte number count and adds or receives the ACK between the data bytes of I2C. The I2C bit rate is the same as the UART bit rate.

Interfacing Command-Byte-Only I²C Devices with UART

The deserializers' UART-to-I²C conversion can interface with devices that do not require register addresses, such as the MAX7324 GPIO expander. In this mode, the I²C master ignores the register address byte and directly reads/writes the subsequent data bytes (Figure 32). Change the communication method of the I²C master using the I2CMETHOD bit. I2CMETHOD = 1 sets command-byte-only mode, while I2CMETHOD = 0 sets normal mode where the first byte in the data stream is the register address.

UART Bypass Mode

In bypass mode, the deserializers ignore UART commands from the μC and the μC communicates with the peripherals directly using its own defined UART protocol.

The μC cannot access the serializer/deserializer's registers in this mode. Peripherals accessed through the forward control channel using the UART interface need to handle at least one TXCLKOUT period ±10ns of jitter due to the asynchronous sampling of the UART signal by TXCLKOUT. Set MS/HVEN = high to put the control channel into bypass mode. For applications with the μC connected to the deserializer, there is a 1ms wait time between setting MS high and the bypass control channel being active. There is no delay time when switching to bypass mode when the μC is connected to the serializer. Do not send a logic-low value longer than 100μs to ensure proper GPO functionality. Bypass mode accepts bit rates down to 10kbps in either direction. See the [GPO/GPI Control](#) section for GPI functionality limitations. The control-channel data pattern should not be held low longer than 100μs if GPI control is used.



Figure 32. Format Conversion Between GMSL UART and I²C with Register Address (I2CMETHOD = 1)

I²C Interface

In I²C-to-I²C mode, the deserializer’s control-channel interface sends and receives data through an I²C-compatible 2-wire interface. The interface uses a serial-data line (SDA) and a serial-clock line (SCL) to achieve bidirectional communication between master and slave(s). A μ C master initiates all data transfers to and from the device and generates the SCL clock that synchronizes the data transfer. When an I²C transaction starts on the local-side device’s control-channel port, the remote-side device’s control-channel port becomes an I²C master that interfaces with remote-side I²C peripherals. The I²C master must accept clock stretching that is imposed by the deserializer (holding SCL low). The SDA and SCL lines operate as both an input and an open-drain output. Pullup resistors are required on SDA and SCL. Each transmission consists of a START condition (Figure 6)

sent by a master, followed by the device’s 7-bit slave address plus a R/W bit, a register address byte, one or more data bytes, and finally a STOP condition.

START and STOP Conditions

Both SCL and SDA remain high when the interface is not busy. A master signals the beginning of a transmission with a START (S) condition by transitioning SDA from high to low while SCL is high (see Figure 33). When the master has finished communicating with the slave, it issues a STOP (P) condition by transitioning SDA from low to high while SCL is high. The bus is then free for another transmission.

Bit Transfer

One data bit is transferred during each clock pulse (Figure 34). The data on SDA must remain stable while SCL is high.

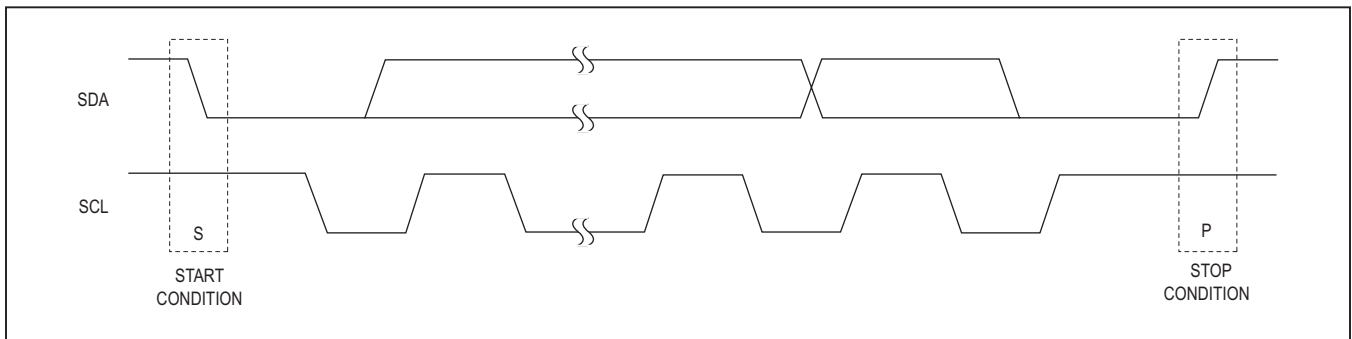


Figure 33. START and STOP Conditions

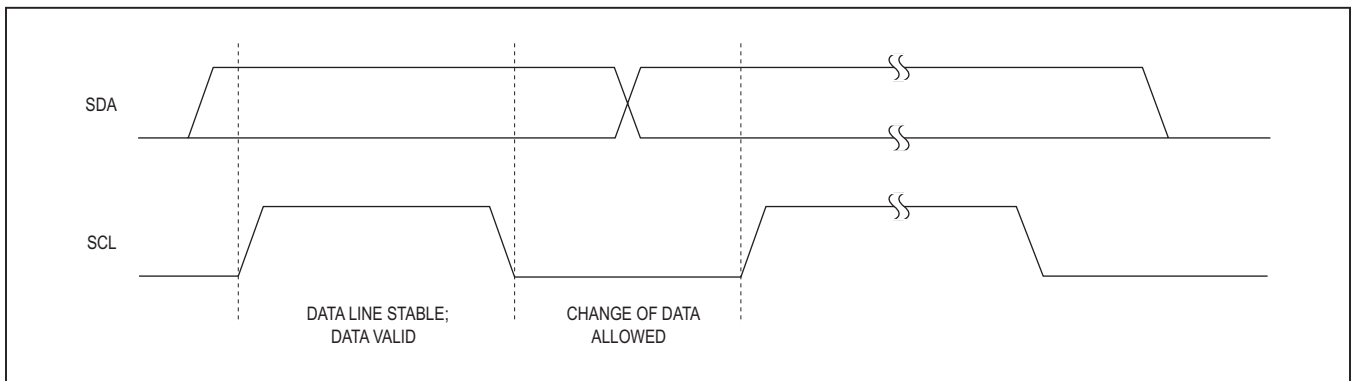


Figure 34. Bit Transfer

Acknowledge

The acknowledge bit is a clocked 9th bit that the recipient uses to handshake receipt of each byte of data (Figure 35). Thus, each byte transferred effectively requires nine bits. The master generates the 9th clock pulse, and the recipient pulls down SDA during the acknowledge clock pulse. The SDA line is stable low during the high period of the clock pulse. When the master is transmitting to the slave device, the slave device generates the acknowledge bit because the slave device is the recipient. When the slave device is transmitting to the master, the master generates the acknowledge bit because the master is the recipient. The device generates an acknowledge even when the forward control channel is not active. To prevent acknowledge generation when the forward control channel is not active, set the I2CLOCKACK bit low.

Slave Address

The deserializers have 7-bit long slave addresses. The bit following a 7-bit slave address is the R/W bit, which is low for a write command and high for a read command. The slave address for the deserializer is XX01XXX1 for read commands and XX01XXX0 for write commands. See Figure 36.

Bus Reset

The device resets the bus with the I²C START condition for reads. When the R/W bit is set to 1, the deserializers transmit data to the master, thus the master is reading from the device.



Figure 35. Acknowledge



Figure 36. Slave Address

Format for Writing

Writes to the deserializers comprise the transmission of the slave address with the R/W bit set to zero, followed by at least one byte of information. The first byte of information is the register address or command byte. The register address determines which register of the device is to be written by the next byte, if received. If a STOP (P) condition is detected after the register address is received, the

device takes no further action beyond storing the register address (Figure 37). Any bytes received after the register address are data bytes. The first data byte goes into the register selected by the register address, and subsequent data bytes go into subsequent registers (Figure 38). If multiple data bytes are transmitted before a STOP condition, these bytes are stored in subsequent registers because the register addresses autoincrements.

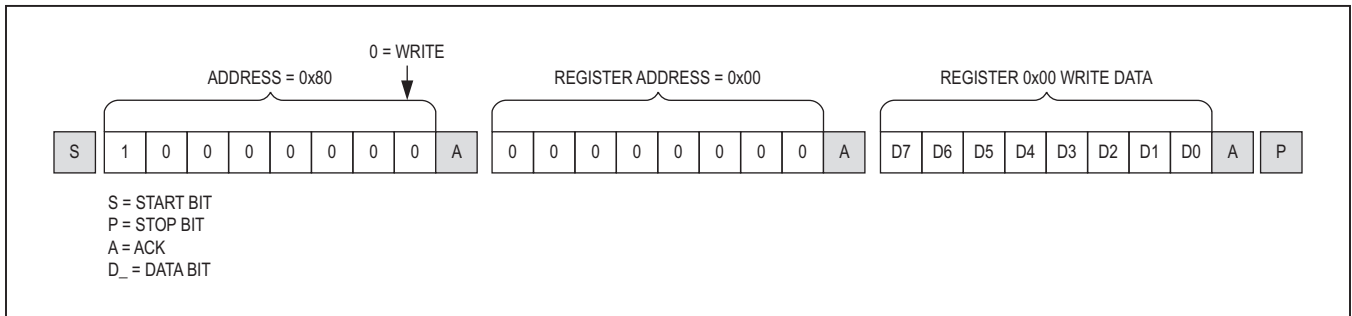


Figure 37. Format for I²C Write

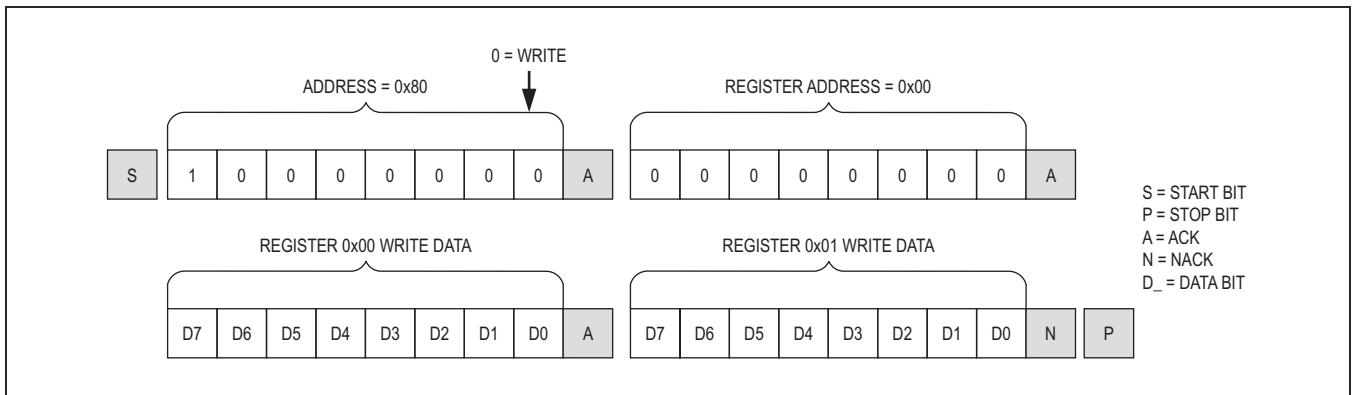


Figure 38. Format for Write to Multiple Registers

Format for Reading

The deserializers are read using the internally stored register address as an address pointer, the same way the stored register address is used as an address pointer for a write. The pointer autoincrements after each data byte is read using the same rules as for a write. Thus, a read is initiated by first configuring the register address by performing a write (Figure 39). The master can now read consecutive bytes from the device, with the first data byte being read from the register address pointed by the previously written register address. Once the master sends a NACK, the device stops sending valid data.

I²C Communication with Remote-Side Devices

The deserializers support I²C communication with a peripheral on the remote side of the communication link using SCL clock stretching. While multiple masters can reside on either side of the communication link, arbitration is not provided. The connected masters need to support SCL clock stretching. The remote-side I²C bit-rate range must be set according to the local-side I²C bit rate. Supported remote-side bit rates can be found in Table 6. Set the I2CMSTBT (register 0x1C) to set the remote I²C bit rate. If using a bit rate different from 400kbps, local- and remote-side I²C setup and hold times should

be adjusted by setting the I2CSLVSH register settings on both sides.

I²C Address Translation

The deserializers support I²C address translation for up to two device addresses. Use address translation to assign unique device addresses to peripherals with limited I²C addresses. Source addresses (address to translate from) are stored in registers 0x18 and 0x1A. Destination addresses (address to translate to) are stored in registers 0x19 and 0x1B.

In a multilink situation where there are multiple deserializers and/or peripheral devices connected to these serializers, the deserializers support broadcast commands to control these multiple devices. Select an unused device address to use as a broadcast device address. Program all the remote-side serializer devices to translate the broadcast device address (source address stored in registers 0x0F, 0x11) to the peripherals' address (destination address stored in registers 0x10, 0x12). Any commands sent to the broadcast address (selected unused address) are sent to all deserializers and/or peripheral devices connected to the deserializers whose addresses match the translated broadcast address.

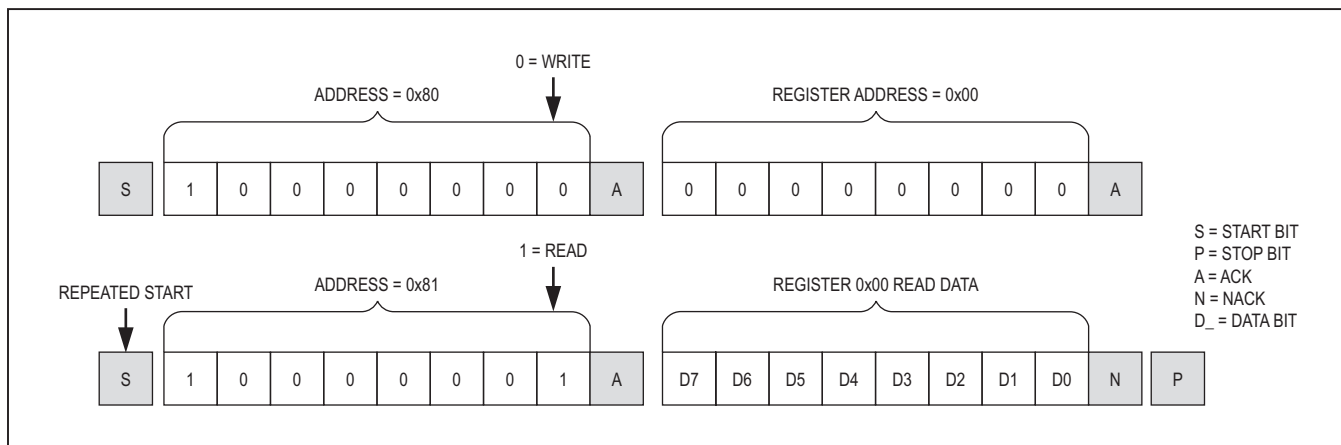


Figure 39. Format for I²C Read

Table 6. I²C Bit Rate Ranges

| LOCAL BIT RATE | REMOTE BIT RATE RANGE | I2CMSTBT SETTING |
|---------------------|-----------------------|------------------|
| f > 50kbps | Up to 1Mbps | Any |
| 20kbps < f < 50kbps | Up to 400kbps | Up to 110 |
| f < 20kbps | Up to 10kbps | 000 |

GPO/GPI Control

GPO on the serializer follows GPI transitions on the deserializer. This GPO/GPI function can be used to transmit signals such as a frame sync in a surround-view camera system. The GPI-to-GPO delay is 0.35ms max. Keep time between GPI transitions to a minimum 0.35ms. This includes transitions from the other deserializer in coax splitter mode. Bit D4 of register 0x06 in the deserializer stores the GPI input state. GPO is low after power-up. The μC can set GPO by writing to the SETGPO register bit. Do not send a logic-low value on the deserializer RX/SDA input (UART mode) longer than 100μs in either base or bypass mode to ensure proper GPO/GPI functionality.

Table 7. Cable Equalizer Boost Levels

| BOOST SETTING (0x05 D[3:0]) | TYPICAL BOOST GAIN (dB) |
|--------------------------------|---|
| 0000 | 2.1 |
| 0001 | 2.8 |
| 0010 | 3.4 |
| 0011 | 4.2 |
| 0100 | 5.2 Power-up default when EQS = high |
| 0101 | 6.2 |
| 0110 | 7 |
| 0111 | 8.2 |
| 1000 | 9.4 |
| 1001 | 10.7 Power-up default when EQS = low |
| 1010 | 11.7 |
| 1011 | 13 |

Table 8. Output Spread

| SS | SPREAD (%) |
|----|--|
| 00 | No spread spectrum Power-up default when SSEN = 0 |
| 01 | ±2% spread spectrum Power-up default when SSEN = 1 |
| 10 | No spread spectrum |
| 11 | ±4% spread spectrum |

Table 9. Modulation Coefficients and Maximum SDIV Settings

| SPREAD-SPECTRUM SETTING (%) | MODULATION COEFFICIENT MOD (DECIMAL) | SDIV UPPER LIMIT (DECIMAL) |
|-----------------------------|--------------------------------------|----------------------------|
| 4 | 208 | 15 |
| 2 | 208 | 30 |

Line Equalizer

The deserializer includes an adjustable line equalizer to further compensate cable attenuation at high frequencies. The cable equalizer has 11 selectable levels of compensation from 2.1dB to 13dB (Table 7). To select other equalization levels, set the corresponding register bits in the deserializer (0x05 D[3:0]). Use equalization in the deserializer, together with preemphasis in the serializer, to create the most reliable link for a given cable.

Spread Spectrum

To reduce the EMI generated by the transitions on the serial link, the deserializer output is programmable for spread spectrum. If the serializer, paired with the MAX9278/MAX9282, has programmable spread spectrum, do not enable spread for both at the same time or their interaction will cancel benefits. The deserializer tracks the serializer spread and passes the spread to the deserializer output. The programmable spread-spectrum amplitudes are ±2%, and ±4% (Table 8).

The deserializer includes a sawtooth divider to control the spread-modulation rate. Autodetection of the TXCLKOUT operation range guarantees a spread-spectrum modulation frequency within 20kHz to 40kHz. Additionally, manual configuration of the sawtooth divider (SDIV: 0x03, D[5:0]) allows the user to set a modulation frequency according to the TXCLKOUT frequency. When ranges are manually selected, program the SDIV value for a fixed modulation frequency around 20kHz.

Manual Programming of the Spread-Spectrum Divider

The modulation rate relates to the TXCLKOUT frequency as follows:

$$f_M = (1 + DRS) \frac{f_{TXCLKOUT}}{MOD \times SDIV}$$

where:

f_M = Modulation frequency

DRS = DRS value (0 or 1)

f_{TXCLKOUT} = TXCLKOUT frequency

MOD = Modulation coefficient given in Table 9

SDIV = 5-bit SDIV setting, manually programmed by the μC

To program the SDIV setting, first look up the modulation coefficient according to the desired bus-width and spread-spectrum settings. Solve the above equation for SDIV using the desired pixel clock and modulation frequencies. If the calculated SDIV value is larger than the maximum allowed SDIV value in Table 9, set SDIV to the maximum value.

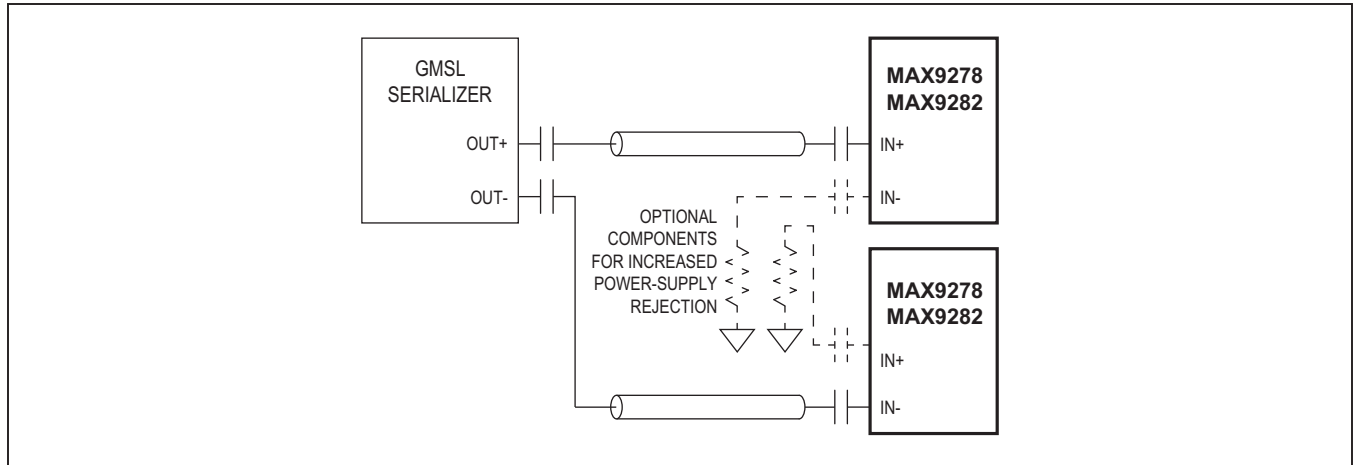


Figure 40. 2:1 Coax Splitter Connection Diagram



Figure 41. Coax Connection Diagram

Table 10. Configuration Input Map

| CX/TP | FUNCTION |
|-------|--|
| High | Coax+ input. 7-bit device address is XXXXXX0 (bin). |
| Mid | Coax- input. 7-bit device address is XXXXXX1 (bin). |
| Low | Twisted pair input. 7-bit device address is XXXXXX0 (bin). |

HS/VS/DE Tracking

The deserializer has tracking to filter out HS/VS/DE bit or packet errors. HS/VS/DE tracking is on by default when the device is in high-bandwidth mode (BWS = open), and off by default when in 3-channel or 4-channel mode (BWS = low or high). Set/clear HVTRMODE (D4 of register 0x15) to enable/disable HS/VS tracking. Set/clear DETREN (D5 of register 0x15) to enable/disable DE tracking. By default, the device uses a partial and full periodic tracking of

HS/DE. Set HVTRMODE = 0 (D4 of register 0x15) to disable full periodic tracking. HS/VS/DE tracking can be turned on in 3-channel and 4-channel modes to track and correct against bit errors in HS/VS/DE link bits.

Serial Input

The device can receive serial data from two kinds of cable: 100Ω twisted pair and 50Ω coax. (Contact the factory for devices compatible with 75Ω cables).

Coax Splitter Mode

In coax mode, OUT+ and OUT- of the serializer are active. This enables the use as a 1:2 splitter (Figure 40). In coax mode, connect OUT+ to IN+ of the deserializer. Connect OUT- to IN- of the second deserializer. Control-channel data is broadcast from the serializer to both deserializers and their attached peripherals. Assign a unique address to send control data to one deserializer. Leave all unused IN_ pins unconnected, or connect them to ground through 50Ω and a capacitor for increased power-supply rejection. If OUT- is not used, connect OUT- to VDD through a 50Ω resistor (Figure 41). When there are μCs at the serializer, and at each deserializer, only one μC can communicate at a time. Disable forward and reverse channel links according to the communicating deserializer connection to prevent contention in I²C-to-I²C mode. Use ENREVP or ENREVN register bits to disable/enable the control-channel link. In UART mode, the serializer provides arbitration of the control-channel link.

Cable Type Configuration Input

CX/TP determine the power-up state of the serial input. In coax mode, CX/TP also determine which coax input is active, along with the default device address (Table 10).

Color Lookup Tables

The deserializer includes three color lookup tables (LUT) to support automatic translation of RGB pixel values. This feature can be used for color gamma correction, brightness/contrast or for other purposes. There are three lookup tables, each 8 bits wide and 256 entries deep, enabling a 1:1 translation of 8-bit input values to any 8-bit output value for each color (24 bits total).

Programming and Verifying LUT Data

The μC must set the LUTPROG register bit to 1 before programming and verifying the tables. To program a LUT, the μC generates a write packet with register address set to the assigned register address for respective LUT (0x7D, 0x7E, or 0x7F). The deserializer writes data in the packet to the respective LUT starting from the LUT address location set in LUTADDR register. Successive bytes in the data packet are written to the next LUT address location; however, each new data packet write starts from the address location stored in the LUTADDR register. Use 0x00 for LUTADDR and 0x00 as the number of bytes field in UART packet, when writing a 256 byte data block, because 8-bit wide number of bytes field cannot normally represent 9-bit wide “256” value. There is no number of bytes field in I²C-to-I²C modes.

To readback the contents of an LUT, the μC generates a read packet with register address set to the assigned register address for respective LUT (0x7D, 0x7E, or 0x7F). The deserializer outputs read data from the respective LUT starting from the LUT address location set in LUT_ADDR register. Similar to the write operation, use

0x00 for LUTADDR and 0x00 as the number of bytes field in UART packet, when reading a 256-byte data block.

LUT Color Translation

After power-up or going out of sleep or power-down modes, LUT translation is disabled and LUT contents are unknown. After program and verify operations are finished, in order to enable LUT translations, set LUTPROG bit to 0 and set the respective LUT enable bits (RED_LUT_EN, GRN_LUT_EN, BLU_LUT_EN) to 1 to enable the desired LUT translation function. Only the selected colors are translated by the LUT (the other colors are not touched). The μC does not need to fill in all three color lookup tables if all three color translations are not needed.

After a pixel is deserialized, decoded, and decrypted (if necessary), it is segmented into its color components: red, green, and blue (RGB), according to [Table 11](#) and [Figure 42](#). If LUT translation is enabled, each 8-bit pretranslation color value is used as address to the respective LUT table to look up the corresponding (translated) 8-bit color value.

LUT Bit Width

In 4-channel mode and high-bandwidth mode, 24 bits are available for color data (8 bits per color) and each LUT is used for 8-bit to 8-bit color translation. In 3-channel mode, the deserializer can receive only up to 18-bit color (6 bits per color). The LUT tables can translate from 6-bit to 6-bit, using the first 64 locations (0x00 to 0x3F). Program the MSB 2 bits of each LUT value to 00. Alternatively, program full 8-bit values to each LUT for 6-bit to 8-bit color translation.

Table 11. Pixel Data Format

| DOUT [5:0] | DOUT [11:6] | DOUT [17:12] | DOUT 18 | DOUT 19 | DOUT 20 | DOUT [22:21] | DOUT [24:23] | DOUT [26:25] |
|------------|-------------|--------------|---------|---------|---------|--------------|--------------|--------------|
| R[5:0] | G[5:0] | B[5:0] | HS | VS | DE | R[7:6] | G[7:6] | B[7:6] |



Figure 42. LUT Dataflow

Recommended LUT Program Procedure

- 1) Write LUTPROG = 1 to register 0x7C. Keep BLULUTEN = 0, GRNLUTEN = 0, REDLUTEN = 0 (write 0x08 to register 0x7C).
- 2) Write contents of red LUT with a single write packet. For 24-bit RGB, use 0x7D as register address and 0x00 as number of bytes (UART only) and write 256 bytes. For 18-bit RGB, use 0x7D as register address and 0x40 as number of bytes (UART only) and write 64 bytes. (Optional: Multiple write packets can be used if LUTADDR is set before each LUT write packet.)
- 3) Read contents of red LUT and verify that they are correct. Use the same register address and number of bytes used in the previous step.
- 4) Repeat steps 2 and 3 for the green LUT, using 0x7E as the register address
- 5) Repeat steps 2 and 3 for the blue LUT, using 0x7F as the register address
- 6a) To finish the program and verify routine, without enabling the LUT color translation, write LUTPROG = 0 (Write 0x00 to register 0x7C).
- 6b) To finish the program and verify routine, and start LUT color translation, write LUTPROG = 0, BLULUTEN = 1, GRNLUTEN = 1, REDLUTEN = 1 (Write 0x07 to register 0x7C).

Table 12. Reverse Control-Channel Modes

| HIGHIMM BIT OR SD/HIM PIN SETTING | REVFAST BIT | REVERSE CONTROL-CHANNEL MODE | MAX UART/I ² C BIT RATE (kbps) |
|-----------------------------------|-------------|---|---|
| LOW (1) | X | Legacy reverse control-channel mode (compatible with all GMSL devices) | 1000 |
| HIGH (1) | 0 | High-immunity mode | 500 |
| | 1 | Fast high-immunity mode | 1000 |

X = Don't care.

Table 13. Fast High-Immunity Mode Requirements

| BWS SETTING | ALLOWED TXCLKOUT FREQUENCY (MHz) |
|-------------|----------------------------------|
| Low | > 41.66 |
| High | > 30 |
| Open | > 83.33 |

Note: Fast high-immunity mode requires DRS = 0.

High-Immunity Reverse Control-Channel Mode

The deserializer contains a high-immunity reverse control-channel mode, which has increased robustness at half the bit rate over the standard GMSL reverse control-channel link (Table 12). Connect a 30kΩ resistor to GPO/HIM on the serializer, and SD/HIM on the deserializer to use high-immunity mode at power-up. Set the HIGHIMM bit high in both the serializer and deserializer to enable high-immunity mode at any time after power-up. Set the HIGHIMM bit low in both the serializer and deserializer to use the legacy reverse control-channel mode. The deserializer reverse control-channel mode is not available for 500μs/1.92ms after the reverse control-channel mode is changed through the serializer/deserializer's HIGHIMM bit setting, respectively. The user must set SD/HIM and GPO/HIM or the HIGHIMM bits to the same value for proper reverse control-channel communication.

In high-immunity mode, set HPFTUNE = 00 in the equalizer, if the serial bit rate = [TXCLKOUT x 30 (BWS = low or open) or 40 (BWS = high)] is larger than 1Gbps when BWS is low or high. When BWS = open, set HPFTUNE = 00 when the serial bit rate is larger than 2GBps. In addition, use 47nF AC-coupling capacitors. Note that legacy reverse control-channel mode may not function when using 47nF AC-coupling capacitors.

By default, high-immunity mode uses a 500kbps bit rate. Set REVFAST = 1 (D7 in register 0x1A in the serializer and register 0x11 in the deserializer) in both devices to use a 1Mbps bit rate. Certain limitations apply when using the fast high-immunity mode (Table 13).

Sleep Mode

The deserializers have sleep mode to reduce power consumption. To power up the devices into sleep mode, set MS = high when CDS = high (display applications). The devices also enter or exit sleep mode by a command from a μC using the control channel. Set the SLEEP bit to 1 to initiate sleep mode. Entering sleep mode resets the HDCP registers, but not the configuration registers. The deserializer sleeps after serial link inactivity or 8ms (whichever arrives first) after setting its SLEEP = 1. Do not send serial data to the deserializer to prevent wakeup. See the [Link Startup Procedure](#) section for details on waking up the device for different μC and starting conditions.

To wake up from the local side, send an arbitrary control-channel command to deserializer, wait for 5ms for the chip to power up, and then write 0 to SLEEP register bit to make the wake-up permanent. To wake up from the remote side, enable serialization. The deserializer detects the activity on the serial link and then when it locks, it automatically sets its SLEEP register bit to 0.

Power-Down Mode

The deserializers have a power-down mode that further reduces power consumption compared to sleep mode. Set PWDN low to enter power-down mode. In power-down, the LVDS outputs remain high impedance. Entering power-down resets the device's registers. Upon exiting power-down, the state of external pins ADD2–ADD0, CX/TP, I2CSEL, SD, HIM, and BWS are latched.

Configuration Link

The control channel can operate in a low-speed mode called configuration link in the absence of a clock input. This allows a microprocessor to program configuration registers before starting the video link. An internal oscillator provides the clock for the configuration link. Set CLINKEN = 1 on the serializer to enable configuration link. Configuration link is active until the video link is enabled. The video link overrides the configuration link and attempts to lock when SEREN = 1.

Link Startup Procedure

Table 14 lists the startup procedure for display applications. Table 15 lists the startup procedure for image-sensing applications. The control channel is

available after the video link or the configuration link is established. If the deserializer powers up after the serializer, the control channel becomes unavailable for 2ms after power-up.

Table 14. Startup Procedure for Video-Display Applications (CDS = Low)

| NO. | µC | SERIALIZER | | DESERIALIZER |
|-----|---|--|--|--|
| | | (AUTOSTART ENABLED) | (AUTOSTART DISABLED) | |
| — | µC connected to serializer. | Sets all configuration inputs. If any configuration inputs are available on one end of the link but not the other, always connects that configuration input low. | Sets all configuration inputs. If any configuration inputs are available on one end of the link but not the other, always connects that configuration input low. | Sets all configuration inputs. If any configuration inputs are available on one end of the link but not the other, always connects that configuration input low. |
| 1 | Powers up. | Powers up and loads default settings. Establishes video link when valid TXCLK available. | Powers up and loads default settings. | Powers up and loads default settings. Locks to video link signal if available. |
| 2 | Enables serial link by setting SEREN = 1 or configuration link by setting SEREN = 0 and CLINKEN = 1 (if valid PCLK not available) and gets an acknowledge. Waits for link to be establish (~3ms). | — | Establishes configuration or video link. | Locks to configuration or video link signal. |
| 3 | Writes configuration bits in the serializer/deserializer and gets an acknowledge. | Configuration changed from default settings. | | Configuration changed from default settings. |
| 4 | If not already enabled, sets SEREN = 1, gets an acknowledge and waits for video link to be established (~3ms). | Establishes video link when valid TXCLK available (if not already enabled). | | Locks to video link signal (if not already locked). |
| 5 | Begin sending video data to input. | Video data serialized and sent across serial link. | | Video data received and deserialized. |

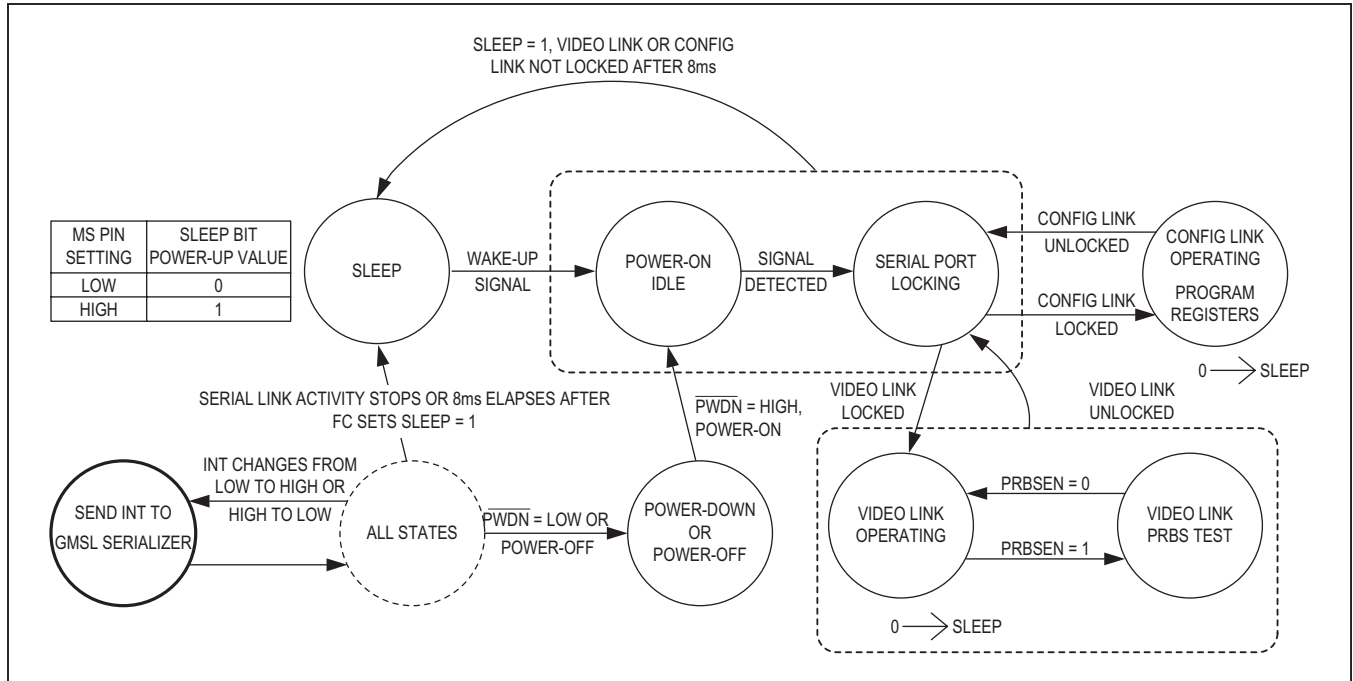


Figure 43. State Diagram, CDS = Low (Display Application)

Table 15. Startup Procedure for Image-Sensing Applications (CDS = High)

| NO. | μC | SERIALIZER | | DESERIALIZER |
|-----|---|--|--|--|
| | | (AUTOSTART ENABLED) | (AUTOSTART DISABLED) | |
| — | μC connected to deserializer. | Sets all configuration inputs. | Sets all configuration inputs. | Sets all configuration inputs. |
| 1 | Powers up. | Powers up and loads default settings. Establishes video link when valid TXCLK available. | Powers up and loads default settings. Goes to sleep after 8ms. | Powers up and loads default settings. Locks to video link signal if available. |
| 2 | Writes deserializer configuration bits and gets an acknowledge. | — | — | Configuration changed from default settings. |
| 3 | Wakes up the serializer by sending dummy packet, and then writing SLEEP = 0 within 8ms. May not get an acknowledge (or gets a dummy acknowledge) if not locked. | — | Wakes up. | — |
| 4 | Writes serializer configuration bits. May not get an acknowledge (or gets a dummy acknowledge) if not locked. | Configuration changed from default settings. | | — |
| 5 | If not already enabled, sets SEREN = 1, gets an acknowledge and waits for serial link to be established (~3ms). | Establishes video link when valid TXCLK available (if not already enabled). | | Locks to video link signal (if not already locked). |
| 6 | Begin sending video data to input. | Video data serialized and sent across serial link. | | Video data received and deserialized. |

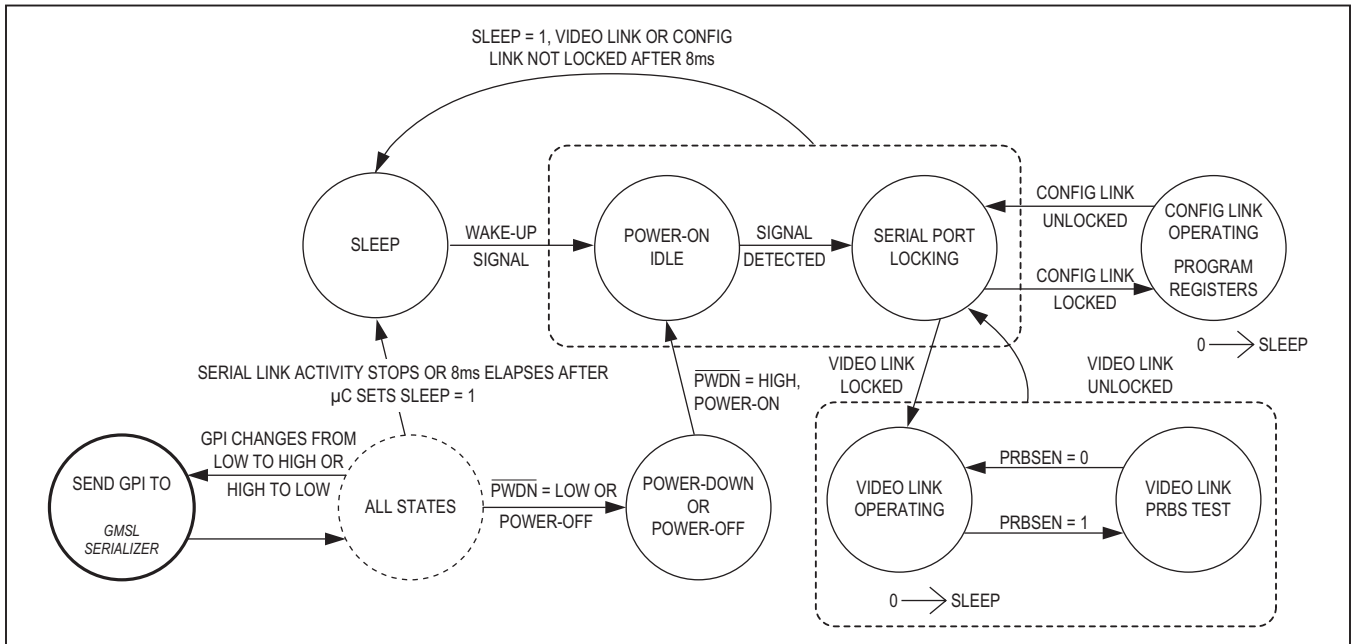


Figure 44. State Diagram, CDS = High (Camera Application)

High-Bandwidth Digital Content Protection (HDCP)

Note: The explanation of HDCP operation in this data sheet is provided as a guide for general understanding. Implementation of HDCP in a product must meet the requirements given in the HDCP System v1.3 Amendment for GMSL, which is available from DCP.

HDCP has two main phases of operation: authentication and the link integrity check. The μC starts authentication by writing to the START_AUTHENTICATION bit in the GMSL serializer. The GMSL serializer generates a 64-bit random number. The host μC first reads the 64-bit random number from the GMSL serializer and writes it to the deserializer. The μC then reads the GMSL serializer public key selection vector (AKSV) and writes it to the deserializer. The μC then reads the deserializer KSV (BKSV) and writes it to the GMSL serializer. The μC begins checking BKSV against the revocation list. Using the cipher, the GMSL serializer and deserializer calculate a 16-bit response value, R_0 and R_0' , respectively. The GMSL amendment for HDCP reduces the 100ms minimum wait time allowed for the receiver to generate R_0' (specified in HDCP rev 1.3) to 128 pixel clock cycles in the GMSL amendment.

There are two response-value comparison modes: internal comparison and μC comparison. Set EN_INT_COMP = 1 to select internal comparison mode. Set EN_INT_COMP = 0 to select μC comparison mode. In internal comparison mode, the μC reads the deserializer response R_0' and writes it to the GMSL serializer. The GMSL serializer compares R_0' to its internally generated response value R_0 , and sets R0_RI_MATCHED. In μC comparison mode, the μC reads and compares the R_0/R_0' values from the GMSL serializer/deserializer.

During response-value generation and comparison, the host μC checks for a valid BKSV (having 20 1s and 20 0s is also reported in BKSV_INVALID) and checks BKSV against the revocation list. If BKSV is not on the list and the response values match, the host authenticates the link. If the response values do not match, the μC resamples the response values (as described in HDCP rev 1.3, Appendix C). If resampling fails, the μC restarts authentication by setting the RESET_HDCP bit in the GMSL serializer. If BKSV appears on the revocation list, the host cannot transmit data that requires protection. The host knows when the link is authenticated and decides when to output data requiring protection. The μC performs a link integrity check every 128 frames or every $2\text{s} \pm 0.5\text{s}$. The GMSL serializer/deserializer generate response values

every 128 frames. These values are compared internally (internal comparison mode) or can be compared in the host μC .

In addition, the GMSL serializer/deserializer provide response values for the enhanced link verification. Enhanced link verification is an optional method of link verification for faster detection of loss-of-synchronization. For this option, the GMSL serializer and deserializer generate 8-bit enhanced link-verification response values (PJ and PJ') every 16 frames. The host must detect three consecutive PJ/PJ' mismatches before resampling.

Encryption Enable

The GMSL link transfers either encrypted or nonencrypted data. To encrypt data, the host μC sets the encryption enable (ENCRYPTION_ENABLE) bit in both the GMSL serializer and deserializer. The μC must set ENCRYPTION_ENABLE in the same VSYNC cycle in both the GMSL serializer and deserializer (no internal VSYNC falling edges between the two writes). The same timing applies when clearing ENCRYPTION_ENABLE to disable encryption.

Note: ENCRYPTION_ENABLE enables/disables encryption on the GMSL irrespective of the content. To comply with HDCP, the μC must not allow content requiring encryption to cross the GMSL unencrypted.

The μC must complete the authentication process before enabling encryption. In addition, encryption must be disabled before starting a new authentication session.

Synchronization of Encryption

The video vertical sync (VSYNC) synchronizes the start of encryption. Once encryption has started, the GMSL generates a new encryption key for each frame and each line, with the internal falling edge of VSYNC and HSYNC. Rekeying is transparent to data and does not disrupt the encryption of video or audio data.

Repeater Support

The GMSL serializer/deserializer include features to build an HDCP repeater. An HDCP repeater receives and decrypts HDCP content and then encrypts and transmits on one or more downstream links. A repeater can also use decrypted HDCP content (e.g., to display on a screen). To support HDCP repeater-authentication protocol, the deserializer has a REPEATER register bit. This register bit must be set to 1 by a μC (most likely on the repeater module). Both the GMSL serializer and deserializer use SHA-1 hash-value calculation over the assembled KSV lists. HDCP GMSL links support a maximum of 15 receivers (total number including the ones in repeater modules).

If the total number of downstream receivers exceeds 14, the μC must set the MAX_DEVS_EXCEEDED register bit when it assembles the KSV list.

HDCP Authentication Procedures

The GMSL serializer generates a 64-bit random number exceeding the HDCP requirement. The GMSL serializer/deserializer internal one-time programmable (OTP) memories contain a unique HDCP keyset programmed at the factory. The host μC initiates and controls the HDCP authentication procedure. The GMSL serializer and deserializer generate HDCP authentication response values for the verification of authentication. Use the following procedures to authenticate the HDCP GMSL encryption

(refer to the HDCP 1.3 Amendment for GMSL for details). The μC must perform link integrity checks while encryption is enabled (see Table 17). Any event that indicates that the deserializer has lost link synchronization should retrigger authentication. The μC must first write 1 to the RESET_HDCP bit in the GMSL serializer before starting a new authentication attempt.

HDCP Protocol Summary

Table 10, Table 11, and Table 12 list the summaries of the HDCP protocol. These tables serve as an implementation guide only. Meet the requirements in the GMSL amendment for HDCP to be in full compliance.

Table 16. Startup, HDCP Authentication, and Normal Operation (Deserializer is Not a Repeater)—First Part of the HDCP Authentication Protocol

| NO. | μC | HDCP GMSL SERIALIZER | HDCP GMSL DESERIALIZER |
|-----|---|--|---|
| 1 | Initial state after power-up. | Powers up waiting for HDCP authentication. | Powers up waiting for HDCP authentication. |
| 2 | Makes sure that A/V data not requiring protection (low-value content) is available at the GMSL serializer inputs (such as blue or informative screen). Alternatively, uses the FORCE_VIDEO and FORCE_AUDIO bits of the GMSL serializer to mask A/V data at the input of the GMSL serializer. Starts the link by writing SEREN = H or link starts automatically if AUTOS is low. | — | — |
| 3 | — | Starts serialization and transmits low-value content A/V data. | Locks to incoming data stream and outputs low-value content A/V data. |
| 4 | Reads the locked bit of the deserializer and makes sure the link is established. | — | — |
| 5 | Optionally writes a random-number seed to the GMSL serializer. | Combines seed with internally generated random number. If no seed provided, only internal random number is used. | — |
| 6 | If HDCP encryption is required, starts authentication by writing 1 to the START_AUTHENTICATION bit of the GMSL serializer. | Generates (stores) AN, and resets the START_AUTHENTICATION bit to 0. | — |
| 7 | Reads AN and AKSV from the GMSL serializer and writes to the deserializer. | — | Generates R0' triggered by the μC 's write of AKSV. |
| 8 | Reads the BKSv and REPEATER bit from the deserializer and writes to the GMSL serializer. | Generates R0, triggered by the μC 's write of BKSv. | — |

Table 16. Startup, HDCP Authentication, and Normal Operation (Deserializer is Not a Repeater)—First Part of the HDCP Authentication Protocol (continued)

| NO. | μC | HDCP GMSL SERIALIZER | HDCP GMSL DESERIALIZER |
|-----|---|--|--|
| 9 | Reads the INVALID_BKSV bit of the GMSL serializer and continues with authentication if it is 0. Authentication can be restarted if it fails (set RESET_HDCP = 1 before restarting authentication). | — | — |
| 10 | Reads R0' from the deserializer and reads R0 from the GMSL serializer. If they match, continues with authentication; otherwise, retries up to two more times (optionally, GMSL serializer comparison can be used to detect if R0/R0' match). Authentication can be restarted if it fails (set RESET_HDCP = 1 before restarting authentication). | — | — |
| 11 | Waits for the VSYNC falling edge (internal to the GMSL serializer) and then sets the ENCRYPTION_ENABLE bit to 1 in the deserializer and GMSL serializer (if the FC is not able to monitor VSYNC, it can utilize the VSYNC_DET bit in the GMSL serializer). | Encryption enabled after the next VSYNC falling edge. | Decryption enabled after the next VSYNC falling edge. |
| 12 | Checks that BKSV is not in the Key Revocation list and continues if it is not. Authentication can be restarted if it fails. Note: Revocation list check can start after BKSV is read in step 8. | — | — |
| 13 | Starts transmission of A/V content that needs protection. | Performs HDCP encryption on high-value content A/V data. | Performs HDCP decryption on high-value content A/V data. |

Table 17. Link Integrity Check (Normal)—Performed Every 128 Frames After Encryption is Enabled

| NO. | μC | HDCP GMSL SERIALIZER | HDCP GMSL DESERIALIZER |
|-----|---|--|--|
| 1 | — | Generates Ri and updates the RI register every 128 VSYNC cycles. | Generates Ri' and updates the RI' register every 128 VSYNC cycles. |
| 2 | — | Continues to encrypt and transmit A/V data. | Continues to receive, decrypt, and output A/V data. |
| 3 | Every 128 video frames (VSYNC cycles) or every 2s. | — | — |
| 4 | Reads RI from the GMSL serializer. | — | — |
| 5 | Reads RI' from the deserializer. | — | — |
| 6 | Reads RI again from the GMSL serializer and makes sure it is stable (matches the previous RI that it has read from the GMSL serializer). If RI is not stable, go back to step 5. | — | — |
| 7 | If RI matches RI', the link integrity check is successful; go back to step 3. | — | — |
| 8 | If RI does not match RI', the link integrity check fails. After the detection of failure of link integrity check, the FC makes sure that A/V data not requiring protection (low-value content) is available at the GMSL serializer inputs (such as blue or informative screen). Alternatively, the FORCE_VIDEO and FORCE_AUDIO bits of the GMSL serializer can be used to mask A/V data input of the GMSL serializer. | — | — |
| 9 | Writes 0 to the ENCRYPTION_ENABLE bit of the GMSL serializer and deserializer. | Disables encryption and transmits low-value content A/V data. | Disables decryption and outputs low-value content A/V data. |
| 10 | Restarts authentication by writing 1 to the RESET_HDCP bit followed by writing 1 to the START_AUTHENTICATION bit in the GMSL serializer. | — | — |

Table 18. Optional Enhanced Link Integrity Check—Performed Every 16 Frames After Encryption is Enabled

| NO. | μC | HDCP GMSL SERIALIZER | HDCP GMSL DESERIALIZER |
|-----|--|---|---|
| 1 | — | Generates PJ and updates the PJ register every 16 VSYNC cycles. | Generates PJ' and updates the PJ' register every 16 VSYNC cycles. |
| 2 | — | Continues to encrypt and transmit A/V data. | Continues to receive, decrypt, and output A/V data. |
| 3 | Every 16 video frames, reads PJ from the GMSL serializer and PJ' from the deserializer. | — | — |
| 4 | If PJ matches PJ', the enhanced link integrity check is successful; go back to step 3. | — | — |
| 5 | If there is a mismatch, retry up to two more times from step 3. Enhanced link integrity check fails after 3 mismatches. After the detection of failure of enhanced link integrity check, the μC makes sure that A/V data not requiring protection (low-value content) is available at the GMSL serializer inputs (such as blue or informative screen). Alternatively, the FORCE_VIDEO and FORCE_AUDIO bits of the GMSL serializer can be used to mask A/V data input of the GMSL serializer. | — | — |
| 6 | Writes 0 to the ENCRYPTION_ENABLE bit of the GMSL serializer and deserializer. | Disables encryption and transmits low-value content A/V data. | Disables decryption and outputs low-value content A/V data. |
| 7 | Restarts authentication by writing 1 to the RESET_HDCP bit followed by writing 1 to the START_AUTHENTICATION bit in the GMSL serializer. | — | — |

Example Repeater Network—Two μ Cs

The example shown in Figure 44 has one repeater and two μ Cs. Table 19 summarizes the authentication operation.

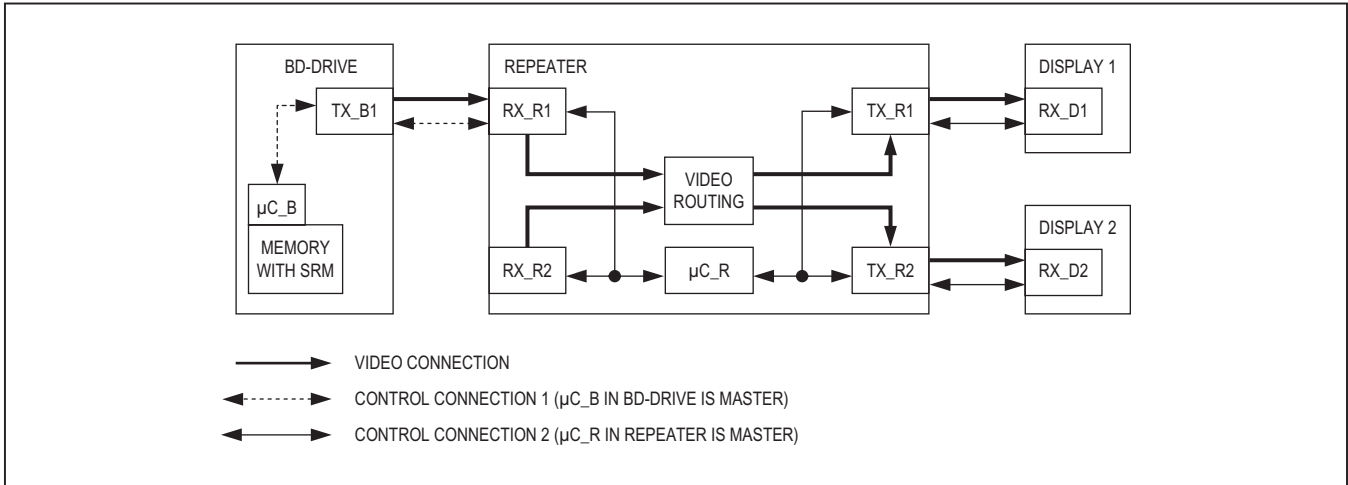


Figure 45. Example Network with One Repeater and Two μ Cs (Tx = GMSL Serializer's, Rx = Deserializer's)

Table 19. HDCP Authentication and Normal Operation (One Repeater, Two μ Cs)—First and Second Parts of the HDCP Authentication Protocol

| NO. | μ C_B | μ C_R | HDCP GMSL SERIALIZER (TX_B1, TX_R1, TX_R2) | HDCP GMSL DESERIALIZER (RX_R1, RX_D1, RX_D2) |
|-----|-------------------------------|---|---|---|
| | | | TX_B1 CDS = 0 TX_R1 CDS = 0 TX_R2 CDS = 0 | RX_R1 CDS = 1 RX_D1 CDS = 0 RX_D2 CDS = 0 |
| 1 | Initial state after power-up. | Initial state after power-up. | All: Power-up waiting for HDCP authentication. | All: Power-up waiting for HDCP authentication. |
| 2 | — | Writes REPEATER = 1 in RX_R1. Retries until proper acknowledge frame received. Note: This step must be completed before the first part of authentication is started between TX_B1 and RX_R1 by the μ C_B (step 7). For example, to satisfy this requirement, RX_R1 can be held at power-down until μ C_R is ready to write the REPEATER bit, or μ C_B can poll μ C_R before starting authentication. | — | — |

Table 19. HDCP Authentication and Normal Operation (One Repeater, Two μ Cs)—First and Second Parts of the HDCP Authentication Protocol (continued)

| NO. | μ C_B | μ C_R | HDCP GMSL SERIALIZER (TX_B1, TX_R1, TX_R2) | HDCP GMSL DESERIALIZER (RX_R1, RX_D1, RX_D2) |
|-----|---|---|--|---|
| | | | TX_B1 CDS = 0 TX_R1 CDS = 0 TX_R2 CDS = 0 | RX_R1 CDS = 1 RX_D1 CDS = 0 RX_D2 CDS = 0 |
| 3 | Makes sure that A/V data not requiring protection (low-value content) is available at the TX_B1 inputs (such as blue or informative screen). Alternatively, the FORCE_VIDEO and FORCE_AUDIO bits of TX_B1 can be used to mask A/V data input of TX_B1. Starts the link between TX_B1 and RX_R1 by writing SEREN = H to TX_B1, or link starts automatically if AUTOS is low. | — | TX_B1: Starts serialization and transmits low-value content A/V data. | RX_R1: Locks to incoming data stream and outputs low-value content A/V data. |
| 4 | — | Starts all downstream links by writing SEREN = H to TX_R1, TX_R2, or links start automatically if AUTOS of transmitters are low. | TX_R1, TX_R2: Starts serialization and transmits low-value content A/V data. | RX_D1, RX_D2: Locks to incoming data stream and outputs low-value content A/V data. |
| 5 | Reads the locked bit of RX_R1 and makes sure the link between TX_B1 and RX_R1 is established. | Reads the locked bit of RX_D1 and makes sure the link between TX_R1 and RX_D1 is established. Reads the locked bit of RX_D2 and makes sure the link between TX_R2 and RX_D2 is established. | — | — |
| 6 | Optionally, writes a random number seed to TX_B1. | Writes 1 to the GPIO_0_FUNCTION and GPIO_1_FUNCTION bits in RX_R1 to change GPIO functionality used for HDCP purpose. Optionally, writes a random-number seed to TX_R1 and TX_R2. | — | — |
| 7 | Starts and completes the first part of the authentication protocol between TX_B1, RX_R1 (see steps 6–10 in Table 11). | — | TX_B1: According to commands from μ C_B, generates AN, computes R0. | RX_R1: According to commands from μ C_B, computes R0'. |

Table 19. HDCP Authentication and Normal Operation (One Repeater, Two μ Cs)—First and Second Parts of the HDCP Authentication Protocol (continued)

| NO. | μ C_B | μ C_R | HDCP GMSL SERIALIZER (TX_B1, TX_R1, TX_R2) | HDCP GMSL DESERIALIZER (RX_R1, RX_D1, RX_D2) |
|-----|--|---|---|---|
| | | | TX_B1 CDS = 0 TX_R1 CDS = 0 TX_R2 CDS = 0 | RX_R1 CDS = 1 RX_D1 CDS = 0 RX_D2 CDS = 0 |
| 8 | — | When GPIO_1 = 1 is detected, starts and completes the first part of the authentication protocol between the (TX_R1, RX_D1) and (TX_R2, RX_D2) links (see steps 6–10 in Table 11). | TX_R1, TX_R2: According to commands from μ C_R, generates AN, computes R0. | RX_D1, RX_D2: According to commands from μ C_R, computes R0'. |
| 9 | Waits for the VSYNC falling edge and then enables encryption on the (TX_B1, RX_R1) link. Full authentication is not complete yet so it makes sure A/V content that needs protection is not transmitted. Since REPEATER = 1 was read from RX_R1, the second part of authentication is required. | — | TX_B1: Encryption enabled after next VSYNC falling edge. | RX_R1: Decryption enabled after next VSYNC falling edge. |
| 10 | — | When GPIO_0 = 1 is detected, enables encryption on the (TX_R1, RX_D1) and (TX_R2, RX_D2) links. | TX_R1, TX_R2: Encryption enabled after next VSYNC falling edge. | RX_D1, RX_D2: Decryption enabled after next VSYNC falling edge. |
| 11 | — | Blocks control channel from μ C_B side by setting REVCCEN = FWDCEN = 0 in RX_R1. Retries until proper acknowledge frame received. | — | RX_R1: Control channel from serializer side (TX_B1) is blocked after FWDCEN = REVCCEN = 0 is written. |
| 12 | Waits for some time to allow μ C_R to make the KSV list ready in RX_R1. Then polls (reads) the KSV_LIST_READY bit of RX_R1 regularly until proper acknowledge frame is received and bit is read as 1. | Writes BKSVs of RX_D1 and RX_D2 to the KSV list in RX_R1. Then, calculates and writes the BINFO register of RX_R1. | — | RX_R1: Triggered by μ C_R's write of BINFO, calculates hash value (V') on the KSV list, BINFO and the secret-value M0'. |
| 13 | — | Writes 1 to the KSV_LIST_READY bit of RX_R1 and then unblocks the control channel from the μ C_B side by setting REVCCEN = FWDCEN = 1 in RX_R1. | — | RX_R1: Control channel from the serializer side (TX_B1) is unblocked after FWDCEN = REVCCEN = 1 is written. |

Table 19. HDCP Authentication and Normal Operation (One Repeater, Two μCs)—First and Second Parts of the HDCP Authentication Protocol (continued)

| NO. | μC_B | μC_R | HDCP GMSL SERIALIZER (TX_B1, TX_R1, TX_R2) | HDCP GMSL DESERIALIZER (RX_R1, RX_D1, RX_D2) |
|-----|---|------|--|--|
| | | | TX_B1 CDS = 0 TX_R1 CDS = 0 TX_R2 CDS = 0 | RX_R1 CDS = 1 RX_D1 CDS = 0 RX_D2 CDS = 0 |
| 14 | Reads the KSV list and BINFO from RX_R1 and writes them to TX_B1. If any of the MAX_DEVS_EXCEEDED or MAX_CASCADE_EXCEEDED bits is 1, then authentication fails. Note: BINFO must be written after the KSV list. | — | TX_B1: Triggered by μC_B's write of BINFO, calculates hash value (V) on the KSV list, BINFO and the secret-value M0. | — |
| 15 | Reads V from TX_B1 and V' from RX_R1. If they match, continues with authentication; otherwise, retries up to two more times. | — | — | — |
| 16 | Searches for each KSV in the KSV list and BKSV of RX_R1 in the Key Revocation list. | — | — | — |
| 17 | If keys are not revoked, the second part of the authentication protocol is completed. | — | — | — |
| 18 | Starts transmission of A/V content that needs protection. | — | All: Perform HDCP encryption on high-value A/V data. | All: Perform HDCP decryption on high-value A/V data. |

Detection and Action Upon New Device Connection

When a new device is connected to the system, the device must be authenticated and the device's KSV checked against the revocation list. The downstream μCs can set the NEW_DEV_CONN bit of the upstream receiver and invoke an interrupt to notify upstream μCs.

Notification of Start of Authentication and Enable of Encryption to Downstream Links

HDCP repeaters do not immediately begin authentication upon startup or detection of a new device, but instead wait for an authentication request from the upstream transmitter/repeaters.

Use the following procedure to notify downstream links of the start of a new authentication request:

- 1) Host μC begins authentication with the HDCP repeater's input receiver.
- 2) When AKSV is written to HDCP repeater's input receiver, its AUTH_STARTED bit is automatically set and its GPIO1 goes high (if GPIO1_FUNCTION is set to high).
- 3) HDCP repeater's μC waits for a low-to-high transition on HDCP repeater input receiver's AUTH_STARTED bit and/or GPIO1 (if configured) and starts authentication downstream.
- 4) HDCP repeater's μC resets the AUTH_STARTED bit.

Set GPIO0_FUNCTION to high to have GPIO0 follow the ENCRYPTION_ENABLE bit of the receiver. The repeater μ C can use this function for notification when encryption is enabled/disabled by an upstream μ C.

Applications Information

Self PRBS Test

The serializers include a PRBS pattern generator that works with bit-error verification in the deserializer. To run the PRBS test, first disable HDCP encryption. Next, set DISHSFILT, DISVSFILT, and DISDEFILT to 1, to disable glitch filter in the deserializer. Then, set PRBSEN = 1 (0x04, D5) in the serializer and then in the deserializer. To exit the PRBS test, set PRBSEN = 0 (0x04, D5) in the deserializer and then in the serializer.

The deserializer also includes a PRBS mode compatible with the MAX9271/MAX9273 serializers. To run the MAX9271/MAX9273 compatible PRBS test, first set PRBSTYPE = 1 (deserializer D7, Register 0x06). Next, set DISHSFILT, DISVSFILT, and DISDEFILT to 1, to disable glitch filter in the deserializer. Then, set PRBSEN = 1 (0x04, D5) in the deserializer and then in the serializer. To exit the PRBS test, set PRBSEN = 0 (0x04, D5) in the serializer (the deserializer PRBSEN should automatically clear).

Error Checking

The deserializers check the serial link for errors and store the number of decoding errors in the 8-bit registers DECERR (0x0D). If a large number of decoding errors are detected within a short duration (error rate $\geq 1/4$), the deserializers lose lock and stop the error counter. The deserializers then attempt to relock to the serial data. DECERR reset upon successful video link lock, successful readout of the register (through μ C), or whenever auto error reset is enabled. The deserializers use a separate PRBS Register during the internal PRBS test, and DECERR are reset to 0x00.

$\overline{\text{ERR}}$ Output

The deserializers have an open-drain $\overline{\text{ERR}}$ output. This output asserts low whenever the number of decoding errors exceeds the error thresholds during normal operation, or when at least 1 PRBS error is detected during PRBS test. $\overline{\text{ERR}}$ reasserts high whenever DECERR resets, due to DECERR readout, video link lock, or auto error reset.

Auto Error Reset

The default method to reset errors is to read the respective error registers in the deserializers (0x0D and

0x0E). Auto error reset clears the error counters DECERR and the $\overline{\text{ERR}}$ output $\sim 1\mu\text{s}$ after $\overline{\text{ERR}}$ goes low. Auto error reset is disabled on power-up. Enable auto error reset through AUTORST (0x06, D5). Auto error reset does not run when the device is in PRBS test mode.

Dual μ C Control

Usually systems have one microcontroller to run the control channel, located on the serializer side for display applications or on the deserializer side for image-sensing applications. However, a μ C can reside on each side simultaneously, and trade off running the control channel. In this case, each μ C can communicate with the serializer and deserializer and any peripheral devices.

Contention occurs if both μ Cs attempt to use the control channel at the same time. It is up to the user to prevent this contention by implementing a higher level protocol. In addition, the control channel does not provide arbitration between I²C masters on both sides of the link. An acknowledge frame is not generated when communication fails due to contention. If communication across the serial link is not required, the μ Cs can disable the forward and reverse control channel using the FWCCEN and REVCCEN bits (0x04, D[1:0]) in the serializer/deserializer. Communication across the serial link is stopped and contention between μ Cs cannot occur.

As an example of dual μ C use in an image-sensing application, the serializer can be in sleep mode and waiting for wake-up by the μ C on the deserializer side. After wake-up, the serializer-side μ C assumes master control of the serializer's registers.

Changing the Clock Frequency

It is recommended that the serial link be enabled after the video clock (f_{TXCLKOUT}) and the control-channel clock ($f_{\text{UART}}/f_{\text{I2C}}$) are stable. When changing the clock frequency, stop the video clock for $5\mu\text{s}$, apply the clock at the new frequency, then restart the serial link or toggle SEREN. On-the-fly changes in clock frequency are possible if the new frequency is immediately stable and without glitches. The reverse control channel remains unavailable for $500\mu\text{s}$ after serial link start or stop. When using the UART interface, limit on-the-fly changes in f_{UART} to factors of less than 3.5 at a time to ensure that the device recognizes the UART sync pattern. For example, when lowering the UART frequency from 1Mbps to 100kbps, first send data at 333kbps then at 100kbps for reduction ratios of 3 and 3.333, respectively.

Fast Detection of Loss of Synchronization

A measure of link quality is the recovery time from loss of synchronization. The host can be quickly notified of loss-of-lock by connecting the deserializer's LOCK output to the GPI input. If other sources use the GPI input, such as a touch-screen controller, the μ C can implement a routine to distinguish between interrupts from loss-of-sync and normal interrupts. Reverse control-channel communication does not require an active forward link to operate and accurately tracks the LOCK status of the GMSL link. LOCK asserts for video link only and not for the configuration link.

Providing a Frame Sync (Camera Applications)

The GPI/GPO provide a simple solution for camera applications that require a frame sync signal from the ECU (e.g., surround-view systems). Connect the ECU frame sync signal to the GPI input, and connect GPO output to the camera frame sync input. GPI/GPO has a typical delay of 275 μ s (350 μ s max). Skew between multiple GPI/GPO channels is 115 μ s max. If a lower skew signal is required, connect the camera's frame sync input to one of the deserializer's GPIOs and use an I²C broadcast write command to change the GPIO output state. This has a maximum skew of 1.5 μ s, independent from the used I²C bit rate.

Software Programming of the Device Addresses

The serializers and deserializers have programmable device addresses. This allows multiple GMSL devices, along with I²C peripherals, to coexist on the same control channel. The serializer device address is in register 0x00 of each device, while the deserializer device address is in register 0x01 of each device. To change a device address, first write to the device whose address changes (register

0x00 of the serializer for serializer device address change, or register 0x01 of the deserializer for deserializer device address change). Then write the same address into the corresponding register on the other device (register 0x00 of the deserializer for serializer device address change, or register 0x01 of the serializer for deserializer device address change).

3-Level Configuration Inputs

ADD0[1:0], CX/TP and BWS are 3-level inputs that control the serial interface configuration and power-up defaults. Connect 3-level inputs through a pullup resistor to IOVDD to set a high level, a pulldown resistor to GND to set a low level, or open to set a mid level. For digital control, use three-state logic to drive the 3-level logic input.

Configuration Blocking

The deserializers can block changes to registers. Set CFGBLOCK to make registers 0x00 to registers 0x1F as read only. Once set, the registers remain blocked until the supplies are removed or until PWDN is low.

Compatibility with Other GMSL Devices

The deserializers are designed to pair with the MAX9275–MAX9281 serializers, but interoperate with any GMSL serializers. See [Table 20](#) for operating limitations.

Key Memory

Each device has a unique HDCP key set that is stored in secure nonvolatile memory (NVM). The HDCP key set consists of 40 56-bit private keys and one 40-bit public key. The NVM is qualified for automotive applications.

HS/VS/DE Inversion

The deserializer uses an active-high HS, VS, and DE for encoding and HDCP encryption. Set INVHSYNC, INVVSYNC, and INVDE in the serializer (registers 0x0D,

Table 20. MAX9278/MAX9282 Feature Compatibility

| MAX9278/MAX9282 FEATURE | GMSL SERIALIZER |
|--------------------------------------|--|
| HDCP (MAX9282 only) | If feature not supported in serializer, must not be turned on in the MAX9282. |
| High-bandwidth mode | If feature not supported in serializer, must only use 24-bit and 32-bit modes. |
| I ² C to I ² C | If feature not supported in serializer, must use UART-to-I ² C or UART-to-UART mode. |
| Coax | If feature not supported in serializer, must connect unused serial output through 200nF and 50 Ω in series to V _{DD} and set the reverse control-channel amplitude to 100mV. |
| High-immunity control channel | If feature not supported in serializer, must use the legacy reverse control-channel mode. |
| TDM encoding | If feature not supported in serializer, must use I ² S encoding (with 50% WS duty cycle), if supported. |
| I ² S encoding | If feature not supported in serializer, must disable I ² S in the MAX9278/MAX9282. |

0x0E) to invert active-low input signals for use with the GMSL devices. Set INVHSYNC, INVVSYNC, and INVDE in the deserializer (register 0x0F, 0x14) to output active-low signals for use with downstream devices.

WS/SCK Inversion

The deserializer uses standard polarities for I²S. Set INVWS, INVSCK in the serializer (register 0x1B) to invert opposite polarity signals for use with the GMSL devices. Set INVWS, INVSCK in the deserializer (register 0x1D) to output reverse-polarity signals for downstream use.

GPIOs

The deserializers have two open-drain GPIOs available when not used for HDCP purposes (see the [Notification of Start of Authentication and Enable of Encryption to Downstream Links](#) section), GPIO1OUT and GPIO0OUT (0x06, D3 and D1) set the output state of the GPIOs. Setting the GPIO output bits to 0 low pulls the output low, while setting the bits to 1 leaves the output undriven, and pulled high through internal/external pullup resistors. The GPIO input buffers are always enabled. The input states are stored in GPIO1 and GPIO0 (0x06, D2 and D0). Set GPIO1OUT/GPIO0OUT to 1 when using GPIO1/GPIO0 as an input.

Internal Input Pulldowns

The control and configuration inputs (except 3-level inputs) include a pulldown resistor to GND. External pulldown resistors are not needed.

Choosing I²C/UART Pullup Resistors

I²C and UART open-drain lines require a pullup resistor to provide a logic-high level. There are tradeoffs between power dissipation and speed, and a compromise may be required when choosing pullup resistor values. Every device connected to the bus introduces some capacitance even when the device is not in operation. I²C specifies 300ns rise times (30% to 70%) for fast mode, which is defined for data rates up to 400kbps (see the I²C specifications in the [AC Electrical Characteristics](#) table

for details). To meet the fast-mode rise-time requirement, choose the pullup resistors so that rise time $t_R = 0.85 \times R_{PULLUP} \times C_{BUS} < 300\text{ns}$. The waveforms are not recognized if the transition time becomes too slow. The device supports I²C/UART rates up to 1Mbps.

AC-Coupling

AC-coupling isolates the receiver from DC voltages up to the voltage rating of the capacitor. Capacitors at the serializer output and at the deserializer input are needed for proper link operation and to provide protection if either end of the cable is shorted to a battery. AC-coupling blocks low-frequency ground shifts and low-frequency common-mode noise.

Selection of AC-Coupling Capacitors

Voltage droop and the digital sum variation (DSV) of transmitted symbols cause signal transitions to start from different voltage levels. Because the transition time is fixed, starting the signal transition from different voltage levels causes timing jitter. The time constant for an AC-coupled link needs to be chosen to reduce droop and jitter to an acceptable level. The RC network for an AC-coupled link consists of the CML/coax receiver termination resistor (R_{TR}), the CML/coax driver termination resistor (R_{TD}), and the series AC-coupling capacitors (C). The RC time constant for four equal-value series capacitors is $(C \times (R_{TD} + R_{TR}))/4$. R_{TD} and R_{TR} are required to match the transmission line impedance (usually 100Ω differential, 50Ω single ended). This leaves the capacitor selection to change the system time constant. Use at 0.22μF (using legacy reverse control channel), 47nF (using high-immunity reverse control channel), or larger high-frequency surface-mount ceramic capacitors, with sufficient voltage rating to withstand a short to battery, to pass the lower speed reverse control-channel signal. Use capacitors with a case size less than 3.2mm x 1.6mm to have lower parasitic effects to the high-speed signal.

Power-Supply Circuits and Bypassing

The deserializers use an AVDD and DVDD of 3.0V to 3.6V. All single-ended inputs and outputs except for the serial input derive power from an IOVDD of 1.7V to 3.6V, which scale with IOVDD. Proper voltage-supply bypassing is essential for high-frequency circuit stability.

Power-Supply Table

HDCCP operation (MAX9282 only) draws additional current. This is shown in [Table 21](#).

Cables and Connectors

Interconnect for CML typically has a differential impedance of 100Ω. Use cables and connectors that have matched differential impedance to minimize impedance discontinuities. Coax cables typically have a characteristic

impedance of 50Ω; contact the factory for 75Ω operation). [Table 22](#) lists the suggested cables and connectors used in the GMSL link.

Board Layout

Separate LVCMOS logic signals and CML/coax high-speed signals to prevent crosstalk. Use a four-layer PCB with separate layers for power, ground, CML/coax, and LVCMOS logic signals. Layout PCB traces close to each other for a 100Ω differential characteristic impedance for STP. The trace dimensions depend on the type of trace used (microstrip or stripline). Note that two 50Ω PCB traces do not have 100Ω differential impedance when brought close together—the impedance goes down when the traces are brought closer. Use a 50Ω trace for the single-ended output when driving coax.

Table 21. Additional Supply Current from HDCCP (MAX9282 Only)

| $f_{TXCLKOUT}$ (MHz) | MAXIMUM HDCCP CURRENT (mA) |
|-------------------------|-------------------------------|
| 16.6 | 6 |
| 33.3 | 9 |
| 36.6 | 9 |
| 66.6 | 12 |
| 104 | 18 |

Table 22. Suggested Connectors and Cables for GMSL

| VENDOR | CONNECTOR | CABLE | TYPE |
|-------------|----------------|--------------|------|
| Rosenberger | 59S2AX-400A5-Y | RG174 | Coax |
| Rosenberger | D4S10A-40ML5-Z | Dacar 538 | STP |
| Nissei | GT11L-2S | F-2WME AWG28 | STP |
| JAE | MX38-FF | A-BW-Lxxxxx | STP |

Route the PCB traces for differential CML channel in parallel to maintain the differential characteristic impedance. Avoid vias. Keep PCB traces that make up a differential pair equal length to avoid skew within the differential pair.

ESD Protection

ESD tolerance is rated for Human Body Model, IEC 61000-4-2, and ISO 10605. The ISO 10605 and IEC 61000-4-2 standards specify ESD tolerance for electronic systems. The serial link inputs are rated for ISO 10605 ESD protection and IEC 61000-4-2 ESD protection. All pins are tested for the Human Body Model. The Human Body Model discharge components are $C_S = 100\text{pF}$ and $R_D = 1.5\text{k}\Omega$ (Figure 46). The IEC 61000-4-2 discharge components are $C_S = 150\text{pF}$ and $R_D = 330\Omega$ (Figure 47). The ISO 10605 discharge components are $C_S = 330\text{pF}$ and $R_D = 2\text{k}\Omega$ (Figure 48).

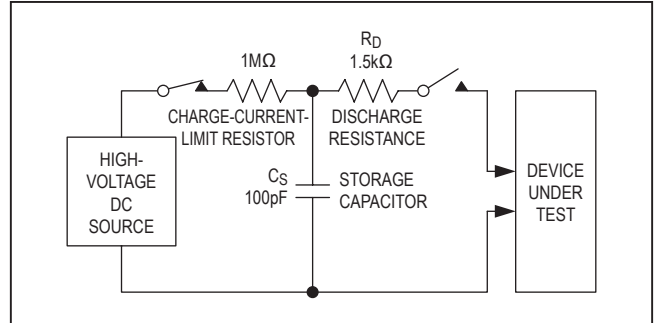


Figure 46. Human Body Model ESD Test Circuit

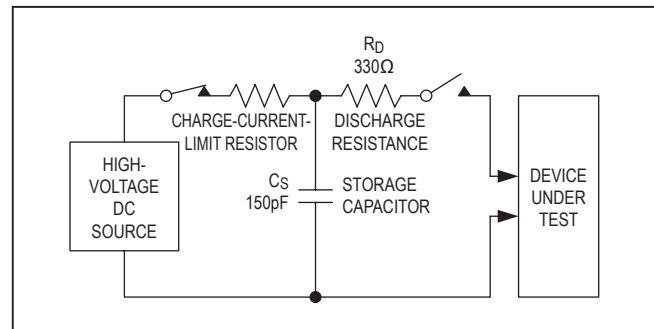


Figure 47. IEC 61000-4-2 Contact Discharge ESD Test Circuit

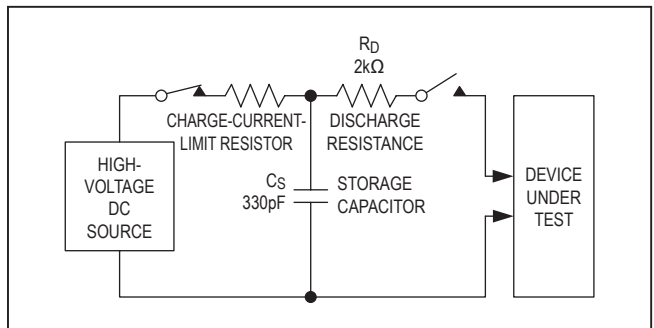


Figure 48. ISO 10605 Contact Discharge ESD Test Circuit

Table 23. Register Table

| REGISTER ADDRESS | BITS | NAME | VALUE | FUNCTION | DEFAULT VALUE |
|------------------|--------|-----------|--|---|---------------|
| 0x00 | D[7:1] | SERID | XXXXXXX | Serializer device address (power-up default value depends on latched address pin level) | XX00XX0 |
| | D0 | — | 0 | Reserved | 0 |
| 0x01 | D[7:1] | DESID | XXXXXXX | Deserializer device address (power-up default value depends on latched address pin level) | XX01XXX |
| | D0 | CFGBLOCK | 0 1 | Normal operation Registers 0x00 to 0x1F are read only | 0 |
| 0x02 | D[7:6] | SS | 00 | No spread spectrum. Power-up default when SSEN = low. | 00 |
| | | | 01 | ±2% spread spectrum. Power-up default when SSEN = high. | |
| | | | 10 | No spread spectrum | |
| | | | 11 | ±4% spread spectrum | |
| | D5 | AUDIOMODE | 0 | WS, SCK configured as output (deserializer sourced clock) | 0 |
| | | | 1 | WS, SCK configured as input (system sourced clock) | |
| | D4 | AUDIOEN | 0 | Disable I ² S/TDM channel | 1 |
| | | | 1 | Enable I ² S/TDM channel | |
| | D[3:2] | PRNG | 00 | 12.5MHz to 25MHz pixel clock | 11 |
| | | | 01 | 25MHz to 50MHz pixel clock | |
| | | | 10 | 50MHz to 104MHz pixel clock | |
| | | | 11 | Automatically detect the pixel clock range | |
| D[1:0] | SRNG | 00 | 0.5 to 1Gbps serial-data rate | 11 | |
| | | 01 | 1 to 2Gbps serial-data rate | | |
| | | 10 | 2 to 3.12Gbps serial-data rate | | |
| | | 11 | Automatically detect serial-data rate | | |
| 0x03 | D[7:6] | AUTOFM | 00 | Calibrate spread modulation rate only once after locking | 00 |
| | | | 01 | Calibrate spread modulation rate every 2ms after locking | |
| | | | 10 | Calibrate spread modulation rate every 16ms after locking | |
| | | | 11 | Calibrate spread modulation rate every 256ms after locking | |
| | D5 | — | 0 | Reserved | 0 |
| | D[4:0] | SDIV | 00000 | Auto calibrate sawtooth divider | 00000 |
| XXXXX | | | Manual SDIV setting. See the <i>Manual Programming of the Spread-Spectrum Divider</i> section. | | |

Table 23. Register Table (continued)

| REGISTER ADDRESS | BITS | NAME | VALUE | FUNCTION | DEFAULT VALUE |
|------------------|------------|------------------------|---|--|------------------|
| 0x04 | D7 | LOCKED | 0 | LOCK output is low | 0 (read only) |
| | | | 1 | LOCK output is high | |
| | D6 | OUTENB | 0 | Enable CNTL and I ² S outputs | 0 |
| | | | 1 | Disable CNTL and I ² S outputs | |
| | D5 | PRBSEN | 0 | Disable PRBS test | 0 |
| | | | 1 | Enable PRBS test | |
| | D4 | SLEEP | 0 | Normal mode (power-up default value depends on CDS and MS pin value at power-up) | 0, 1 |
| | | | 1 | Activate sleep mode (power-up default value depends on CDS and MS pin value at power-up) | |
| | D[3:2] | INTTYPE | 00 | Deserializer control channel uses UART-to-I ² C when I ² CSEL = 0 | 01 |
| | | | 01 | Deserializer control channel uses UART-to UART when I ² CSEL = 0 | |
| | | | 10, 11 | Deserializer control channel disabled | |
| | D1 | REVCCEN | 0 | Disable reverse control channel to serializer (sending) | 1 |
| 1 | | | Enable reverse control channel to serializer (sending) | | |
| D0 | FWDCCEN | 0 | Disable forward control channel from serializer (receiving) | 1 | |
| | | 1 | Enable forward control channel from serializer (receiving) | | |
| 0x05 | D7 | I ² CMETHOD | 0 | I ² C conversion sends the register address when converting UART to I ² C | 0 |
| | | | 1 | Disable sending of I ² C register address when converting UART to I ² C (command-byte-only mode) | |
| | D[6:5] | HPFTUNE | 00 | 7.5MHz equalizer highpass filter cutoff frequency | 01 |
| | | | 01 | 3.75MHz equalizer highpass filter cutoff frequency | |
| | | | 10 | 2.5MHz equalizer highpass filter cutoff frequency | |
| | | | 11 | 1.87MHz equalizer highpass filter cutoff frequency | |
| | D4 | PDEQ | 0 | Enable equalizer | 0 |
| | | | 1 | Disable equalizer | |
| | D[3:0] | EQTUNE | 0000 | 2.1dB equalizer boost gain | 0100, 1001 |
| | | | 0001 | 2.8dB equalizer boost gain | |
| | | | 0010 | 3.4dB equalizer boost gain | |
| | | | 0011 | 4.2dB equalizer boost gain | |
| | | | 0100 | 5.2dB equalizer boost gain. Power-up default when SSEN = high. | |
| | | | 0101 | 6.2dB equalizer boost gain | |
| | | | 0110 | 7dB equalizer boost gain | |
| | | | 0111 | 8.2dB equalizer boost gain | |
| 1000 | | | 9.4dB equalizer boost gain | | |
| 1001 | | | 10.7dB equalizer boost gain. Power-up default when SSEN = low. | | |
| 1010 | | | 11.7dB equalizer boost gain | | |
| 1011 | | | 13dB equalizer boost gain | | |
| 11XX | Do not use | | | | |

Table 23. Register Table (continued)

| REGISTER ADDRESS | BITS | NAME | VALUE | FUNCTION | DEFAULT VALUE |
|------------------|----------|-----------|--|--|-------------------------|
| 0x06 | D7 | PRBSTYPE | 0 | Deserializer uses standard PRBS test | 0 |
| | | | 1 | Deserializer uses MAX9271/MAX9273-compatible PRBS test | |
| | D6 | AUTORST | 0 | No automatic reset of error registers and outputs | 0 |
| | | | 1 | Automatically reset DECERR register 1 μ s after ERR asserts | |
| | D5 | DISGPI | 0 | Enable GPI to GPO signal transmission to serializer | 0 |
| | | | 1 | Disable GPI to GPO signal transmission to serializer | |
| | D4 | GPIIN | 0 | GPI input is low | 0 (read only) |
| | | | 1 | GPI input is high | |
| | D3 | GPIO1OUT | 0 | Set GPIO1 to low | 1 |
| | | | 1 | Set GPIO1 to high | |
| | D2 | GPIO1IN | 0 | GPIO1 input is low | 0 (read only) |
| | | | 1 | GPIO1 input is high | |
| D1 | GPIO0OUT | 0 | Set GPIO0 to low | 1 | |
| | | 1 | Set GPIO0 to high | | |
| D0 | GPIO0IN | 0 | GPIO0 input is low | 0 (read only) | |
| | | 1 | GPIO0 input is high | | |
| 0x07 | D[7:0] | — | 01010100 | Reserved | 01010100 |
| 0x08 | D[7:3] | — | 00110 | Reserved | 00110 |
| | D2 | DISDEFILT | 0 | Enable DE glitch filter. Power up default when BWS = low or high. | 0, 1 |
| | | | 1 | Disable DE glitch filter. Power-up default when BWS = open. | |
| | D1 | DISVSFILT | 0 | Enable VS glitch filter. Power-up default when BWS = low or high. | 0, 1 |
| | | | 1 | Disable VS glitch filter. Power-up default when BWS = open. | |
| | D0 | DISHSFILT | 0 | Enable HS glitch filter. Power-up default BwhnWS = low or high. | 0, 1 |
| 1 | | | Disable HS glitch filter. Power-up default when BWS = open. | | |
| 0x09 | D[7:0] | — | 11001000 | Reserved | 11001000 |
| 0x0A | D[7:0] | — | 00010XXX | Reserved | 00010XXX |
| 0x0B | D[7:0] | — | 00100000 | Reserved | 00100000 |
| 0x0C | D[7:0] | ERRTHR | XXXXXXXX | Error threshold for decoding errors | 00000000 |
| 0x0D | D[7:0] | DECERR | XXXXXXXX | Decoding error counter | 00000000 (read only) |
| 0x0E | D[7:0] | PRBSERR | XXXXXXXX | PRBS error counter | 00000000 (read only) |

Table 23. Register Table (continued)

| REGISTER ADDRESS | BITS | NAME | VALUE | FUNCTION | DEFAULT VALUE |
|------------------|--------|-----------|----------------------------|--|---------------|
| 0x0F | D[7:3] | — | 00000 | Reserved | 00000 |
| | D2 | INVDE | 0 | No DE inversion at the output | 0 |
| | | | 1 | Invert DE at the output | |
| | D1 | DISRWAKE | 0 | Enable remote wake-up | 0 |
| | | | 1 | Disable remote wake-up | |
| | D0 | INTOUT | 0 | Drive INTOUT low | 0 |
| 1 | | | Drive INTOUT high | | |
| 0x10 | D[7:0] | — | XXXXXXXX | Reserved | (Read only) |
| 0x11 | D7 | REVFAST | 0 | High-immunity reverse control-channel mode uses 500kbps bit rate | 0 |
| | | | 1 | High-immunity reverse control-channel mode uses 1Mbps bit rate | |
| | D[6:0] | — | 0100010 | Reserved | 0100010 |
| 0x12 | D7 | MCLKSRC | 0 | MCLK derived from TXCLKOUT (see Table 6) | 0 |
| | | | 1 | MCLK derived from internal oscillator | |
| | D[6:0] | MCLKDIV | 0000000 XXXXXXXX | MCLK disabled MCLK divider | 0000000 |
| 0x13 | D[7:0] | — | 0X010000 | Reserved | 0X010000 |
| 0x14 | D7 | INVVSYNC | 0 | No VS inversion at the output | 0 |
| | | | 1 | Invert VS at the output | |
| | D6 | INVHSYNC | 0 | No HS inversion at the output | 0 |
| | | | 1 | Invert HS at the output | |
| | D5 | FORCELVDS | 0 | Normal LVDS output operation | 0 |
| | | | 1 | LVDS output forced low | |
| | D4 | DCS | 0 | Normal CMOS output driver current | 0 |
| | | | 1 | Boosted CMOS output driver current | |
| | D3 | DISCNTL | 0 | Serial-data bit 27 mapped to CNTL1 (when BWS = high) | 1 |
| | | | 1 | CNTL1 forced low (when BWS = high) | |
| | D2 | DISRES | 0 | Serial-data bit 27 mapped to RES bit (when BWS = high) | 0 |
| | | | 1 | RES bit forced low (when BWS = high) | |
| | D[1:0] | ILVDS | 00 | 1.75mA LVDS driver current | 01 |
| | | | 01 | 3.5mA LVDS driver current | |
| 10 | | | 5.25mA LVDS driver current | | |
| 11 | | | 7mA LVDS driver current | | |

Table 23. Register Table (continued)

| REGISTER ADDRESS | BITS | NAME | VALUE | FUNCTION | DEFAULT VALUE |
|------------------|---------|----------|--|---|---------------|
| 0x15 | D7 | AUTOINT | 0 | INTOUT pin output controlled by INTOUT bit above | 1 |
| | | | 1 | Writes to any AVINFO bytes sets INTOUT to high. Reads to any AVINFO bytes sets INTOUT to low. | |
| | D6 | HVTREN | 0 | Disable HS/VS tracking (power-up default value depends on state of BWS input value at power-up) | 0, 1 |
| | | | 1 | Enable HS/VS tracking (power-up default value depends on state of BWS input value at power-up) | |
| | D5 | DETREN | 0 | Disable DE tracking (power-up default value depends on state of BWS input value at power-up) | 0, 1 |
| | | | 1 | Enable DE tracking (power-up default value depends on state of BWS input value at power-up) | |
| | D4 | HVTRMODE | 0 | Partial periodic HS/VS and DE tracking | 1 |
| | | | 1 | Partial and full periodic HS/VS and DE tracking | |
| | D[3:2] | — | 00 | Reserved | 00 |
| | D1 | MCLKWS | 0 | MCLK output operates normally | 0 |
| 1 | | | WS is output from MCLK (MCLK mirrors WS) | | |
| D0 | MCLKPIN | 0 | MCLK output on CNTL2 (when OEN = low) | 0 | |
| | | 1 | MCLK output on CNTL0 (when OEN = low) | | |
| 0x16 | D7 | HIGHIMM | 0 | Legacy reverse control-channel mode (power-up default value depends on SD/HIM at power-up) | 0, 1 |
| | | | 1 | High-immunity reverse control-channel mode (power-up default value depends on SD/HIM at power-up) | |
| | D[6:0] | — | 1011010 | Reserved | 1011010 |
| 0x17 | D[7:0] | — | 0XXXXXXXX | Reserved | 00000000 |
| 0x18 | D[7:1] | I2CSRCA | XXXXXXXX | I ² C address translator source A | 0000000 |
| | D0 | — | 0 | Reserved | 0 |
| 0x19 | D[7:1] | I2CDSTA | XXXXXXXX | I ² C address translator destination A | 0000000 |
| | D0 | — | 0 | Reserved | 0 |
| 0x1A | D[7:1] | I2CSRCA | XXXXXXXX | I ² C address translator source B | 0000000 |
| | D0 | — | 0 | Reserved | 0 |
| 0x1B | D[7:1] | I2CDSTB | XXXXXXXX | I ² C address translator destination B | 0000000 |
| | D0 | — | 0 | Reserved | 0 |

Table 23. Register Table (continued)

| REGISTER ADDRESS | BITS | NAME | VALUE | FUNCTION | DEFAULT VALUE |
|------------------|--------|------------|--|--|---------------|
| 0x1C | D7 | I2CLOCKACK | 0 | Acknowledge not generated when forward channel is not available | 1 |
| | | | 1 | I2C-to-I2C slave generates local acknowledge when forward channel is not available | |
| | D[6:5] | I2CSLVSH | 00 | 352ns/117ns I2C setup/hold time | 01 |
| | | | 01 | 469ns/234ns I2C setup/hold time | |
| | | | 10 | 938ns/352ns I2C setup/hold time | |
| | | | 11 | 1046ns/469ns I2C setup/hold time | |
| | D[4:2] | I2CMSTBT | 000 | 8.47kbps (typ) I2C-to-I2C master bit-rate setting | 101 |
| | | | 001 | 28.3kbps (typ) I2C-to-I2C master bit-rate setting | |
| | | | 010 | 84.7kbps (typ) I2C-to-I2C master bit-rate setting | |
| | | | 011 | 105kbps (typ) I2C-to-I2C master bit-rate setting | |
| | | | 100 | 173kbps (typ) I2C-to-I2C master bit-rate setting | |
| | | | 101 | 339kbps (typ) I2C-to-I2C master bit-rate setting | |
| | | | 110 | 533kbps (typ) I2C-to-I2C master bit-rate setting | |
| | | | 111 | 837kbps (typ) I2C-to-I2C master bit-rate setting | |
| | D[1:0] | I2CSLVTO | 00 | 64μs (typ) I2C-to-I2C slave remote timeout | 10 |
| | | | 01 | 256μs (typ) I2C-to-I2C slave remote timeout | |
| 10 | | | 1024μs (typ) I2C-to-I2C slave remote timeout | | |
| 11 | | | No I2C-to-I2C slave remote timeout | | |
| 0x1D | D[7:6] | — | 00 | Reserved | 00 |
| | D5 | DESEL | 0 | Normal DE operation | 0 |
| | | | 1 | HS copied to DE | |
| | D[4:3] | HVSRC | 00 | D18/D19 used for HS/VS (normal operation) | 00 |
| | | | 01 | D14/D15 used for HS/VS (D[19:16] shifted to D[17:14]), for use with the MAX9271 | |
| | | | 1X | D0/D1 used for HS/VS (D[19:2] shifted to D[17:0]), for use with the MAX9271/73 with HV inversion | |
| | D2 | AUDUFBEH | 0 | Audio FIFO repeats last audio word when FIFO is empty | 0 |
| | | | 1 | Audio FIFO outputs all zeroes when FIFO is empty | |
| | D1 | INVSK | 0 | Do not invert SCK at output | 0 |
| | | | 1 | Invert SCK at output | |
| | D0 | INVWS | 0 | Do not invert WS at output | 0 |
| | | | 1 | Invert WS at output | |

Table 23. Register Table (continued)

| REGISTER ADDRESS | BITS | NAME | VALUE | FUNCTION | DEFAULT VALUE |
|------------------|----------|-----------|-----------------|---|-------------------------|
| 0x1E | D[7:0] | ID | 0010XX00 | Device identifier (MAX9278 = 0x24) (MAX9282 = 0x28) | 0010XX00 (read only) |
| 0x1F | D[7:5] | — | 000 | Reserved | 000 (read only) |
| | D4 | CAPS | 0 | Not HDCP capable (MAX9278) | (Read only) |
| | | | 1 | HDCP capable (MAX9282) | |
| D[3:0] | REVISION | XXXX | Device revision | (Read only) | |
| 0x40 to 0x59 | D[7:0] | AVINFO | XXXXXXXX | Video/audio format/status/information bytes | All zeroes |
| 0x77 | D[7:0] | — | XXXXXXXX | | (Read only) |
| 0x78 | D[7:0] | AUDOUPER | XXXXXXXX | Audio FIFO last overflow/underflow period (AUDIOMODE = 1 only) | (Read only) |
| 0x79 | D7 | AUDOU | 0 | Audio FIFO is in underflow (AUDIOMODE = 1 only) | (Read only) |
| | | | 1 | Audio FIFO is in overflow (AUDIOMODE = 1 only) | |
| | D[6:0] | — | 0000XXX | Reserved | 0000XXX (read only) |
| 0x7B | D[7:0] | LUTADDR | XXXXXXXX | LUT start address for write and read | 00000000 |
| 0x7C | D[7:5] | — | 000 | Reserved | 000 |
| | D4 | EN4THLANE | 0 | Normal operation | 0 |
| | | | 1 | TXOUT3_ enabled (when BWS = 0) | |
| | D3 | LUTPROG | 0 | Disable LUT write and read | 0 |
| | | | 1 | Enable LUT write and read | |
| | D2 | BLULUTEN | 0 | Disable blue LUT | 0 |
| | | | 1 | Enable blue LUT | |
| | D1 | GRNLUTEN | 0 | Disable green LUT | 0 |
| | | | 1 | Enable green LUT | |
| | D0 | REDLUTEN | 0 | Disable red LUT | 0 |
| 1 | | | Enable red LUT | | |
| 0x7D | D[7:0] | REDLUT | XXXXXXXX | Red LUT value (see Table 12) | 00000000 |
| 0x7E | D[7:0] | GREENLUT | XXXXXXXX | Green LUT value (see Table 12) | 00000000 |
| 0x7F | D[7:0] | BLUELUT | XXXXXXXX | Blue LUT value (see Table 12) | 00000000 |

X = Don't care

Table 24. HDCP Register Table (MAX9282 Only)

| REGISTER ADDRESS | SIZE (Bytes) | NAME | READ/ WRITE | FUNCTION | DEFAULT VALUE (hex) |
|------------------|--------------|---------|-------------|---|-----------------------------------|
| 0X80 to 0x84 | 5 | BKSV | Read only | HDCP receiver KSV | (Read only) |
| 0X85 to 0x86 | 2 | RI' | Read only | Link verification response | (Read only) |
| 0X87 | 1 | PJ' | Read only | Enhanced link verification response | (Read only) |
| 0X88 to 0x8F | 8 | AN | Read/write | Session random number | 0x0000000000000000 |
| 0X90 to 0x94 | 5 | AKSV | Read/write | HDCP transmitter KSV | 0x0000000000 |
| 0x95 | 1 | BCTRL | Read/write | D7 = PD_HDCP 1 = Power down HDCP circuits 0 = HDCP circuits normal | 0x00 |
| | | | | D[6:4] = Reserved | |
| | | | | D3 = GPIO1_FUNCTION 1 = GPIO1 mirrors AUTH_STARTED 0 = Normal GPIO1 operation | |
| | | | | D2 = GPIO0_FUNCTION 1 = GPIO0 mirrors ENCRYPTION_ENABLE 0 = Normal GPIO0 operation | |
| | | | | D1 = AUTH_STARTED 1 = Authentication started (triggered by write to AKSV) 0 = Authentication not started | |
| | | | | D0 = ENCRYPTION_ENABLE 1 = Enable encryption 0 = Disable encryption | |
| 0x96 | 1 | BSTATUS | Read/write | D[7:2] = Reserved | 0x00 |
| | | | | D1 = NEW_DEV_CONN 1 = Set to 1 if a new connected device is detected 0 = Set to 0 if no new device is connected | |
| | | | | D0 = KSV_LIST_READY 1 = Set to 1 if KSV list and BINFO is ready 0 = Set to 0 if KSV list or BINFO is not ready | |
| 0x97 | 1 | BCAPS | Read/write | D[7:1] = Reserved | 0x00 |
| | | | | D0 = REPEATER 1 = Set to one if device is a repeater 0 = Set to zero if device is not a repeater | |
| 0x98 to 0x9F | 8 | — | Read only | Reserved | 0x0000000000000000 (Read only) |
| 0XA0 to 0xA3 | 4 | V'.H0 | Read/write | H0 part of SHA-1 hash value | 0x00000000 |
| 0XA4 to 0xA7 | 4 | V'.H1 | Read/write | H1 part of SHA-1 hash value | 0x00000000 |
| 0XA8 to 0xAB | 4 | V'.H2 | Read/write | H2 part of SHA-1 hash value | 0x00000000 |
| 0XAC to 0xAF | 4 | V'.H3 | Read/write | H3 part of SHA-1 hash value | 0x00000000 |
| 0XB0 to 0xB3 | 4 | V'.H4 | Read/write | H4 part of SHA-1 hash value | 0x00000000 |

Table 24. HDCP Register Table (MAX9282 Only) (continued)

| REGISTER ADDRESS | SIZE (Bytes) | NAME | READ/ WRITE | FUNCTION | DEFAULT VALUE (hex) |
|------------------|--------------|----------|-------------|--|---------------------|
| 0xB4 to 0xB5 | 2 | BINFO | Read/write | D[15:12] = Reserved | 0x0000 |
| | | | | D11 = MAX_CASCADE_EXCEEDED 1 = Set to one if more than seven cascaded devices attached 0 = Set to zero if seven or fewer cascaded devices attached | |
| | | | | D[10:8] = DEPTH Depth of cascaded devices | |
| | | | | D7 = MAX_DEVS_EXCEEDED 1 = Set to one if more than 14 devices attached 0 = Set to zero if 14 or fewer devices attached | |
| | | | | D[6:0] = DEVICE_COUNT Number of devices attached | |
| 0xB6 | 1 | GPMEM | Read/write | General-purpose memory byte | 0x00 |
| 0xB7 to 0xB9 | 3 | — | Read only | Reserved | 0x000000 |
| 0xBA to 0xFF | 70 | KSV_LIST | Read/write | List of KSVs downstream repeaters and receivers (maximum of 14 devices) | All zero |

Typical Application Circuit



Ordering Information

| PART | TEMP RANGE | PIN-PACKAGE | HDCP |
|-------------------|-----------------|---------------|-------|
| MAX9278GTM+ | -40°C to +105°C | 48 TQFN-EP* | No |
| MAX9278GTM/V+ | -40°C to +105°C | 48 TQFN-EP* | No |
| MAX9278GTM/VY+ | -40°C to +105°C | 48 SWTQFN-EP* | No |
| MAX9282GTM+ | -40°C to +105°C | 48 TQFN-EP* | Yes** |
| MAX9282GTM/V+ | -40°C to +105°C | 48 TQFN-EP* | Yes** |
| MAX9282GTM/VY+*** | -40°C to +105°C | 48 SWTQFN-EP* | Yes** |

+Denotes a lead(Pb)-free/RoHS-compliant package.

/V denotes an automotive qualified product.

*EP = Exposed pad.

SW = Side-wettable package.

**HDCP parts require registration with Digital Content Protection, LLC.

***Future product—contact factory for availability.

Package Information

For the latest package outline information and land patterns (footprints), go to www.maximintegrated.com/packages. Note that a "+", "#", or "-" in the package code indicates RoHS status only. Package drawings may show a different suffix character, but the drawing pertains to the package regardless of RoHS status.

Chip Information

PROCESS: CMOS

| PACKAGE TYPE | PKG CODE | OUTLINE NO. | LAND PATTERN NO. |
|--------------|----------|---------------------------|---------------------------|
| 48 TQFN-EP | T4877+4 | 21-0144 | 90-0130 |
| 48 SWTQFN-EP | T4877Y+4 | 21-100045 | 90-100016 |

Revision History

| REVISION NUMBER | REVISION DATE | DESCRIPTION | PAGES CHANGED |
|-----------------|---------------|--|---|
| 0 | 2/14 | Initial release | — |
| 1 | 9/14 | Added simplified diagram, renumbered figure and tables, clarified functions, corrected typos, and removed future product references | 1, 2, 10–12, 15, 18, 20–50, 52, 59, 61, 63–74 |
| 2 | 3/18 | Deleted QFND package and added side-wettable TQFN (SWTQFN) package in General Description , Absolute Maximum Ratings , Package Thermal Characteristics , Pin Configuration , Ordering Information , and Package Information sections | 1,8, 18, 74 |
| 3 | 7/19 | Updated land pattern number for 48 SWTQFN-EP in Package Information section | 74 |

For pricing, delivery, and ordering information, please contact Maxim Direct at 1-888-629-4642, or visit Maxim Integrated's website at www.maximintegrated.com.

Maxim Integrated cannot assume responsibility for use of any circuitry other than circuitry entirely embodied in a Maxim Integrated product. No circuit patent licenses are implied. Maxim Integrated reserves the right to change the circuitry and specifications without notice at any time. The parametric values (min and max limits) shown in the Electrical Characteristics table are guaranteed. Other parametric values quoted in this data sheet are provided for guidance.