

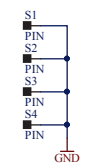
Tr1
TRANSIL
Not Assembled

J7 J8 J9 J10 J11 J12
GND GND GND GND GND GND
GND

Pick and place assembly MARK
Pick and place assembly MARK
Pick and place assembly MARK

DEMO BOARD FOR EVALUATIN PURPOSE ONLY!

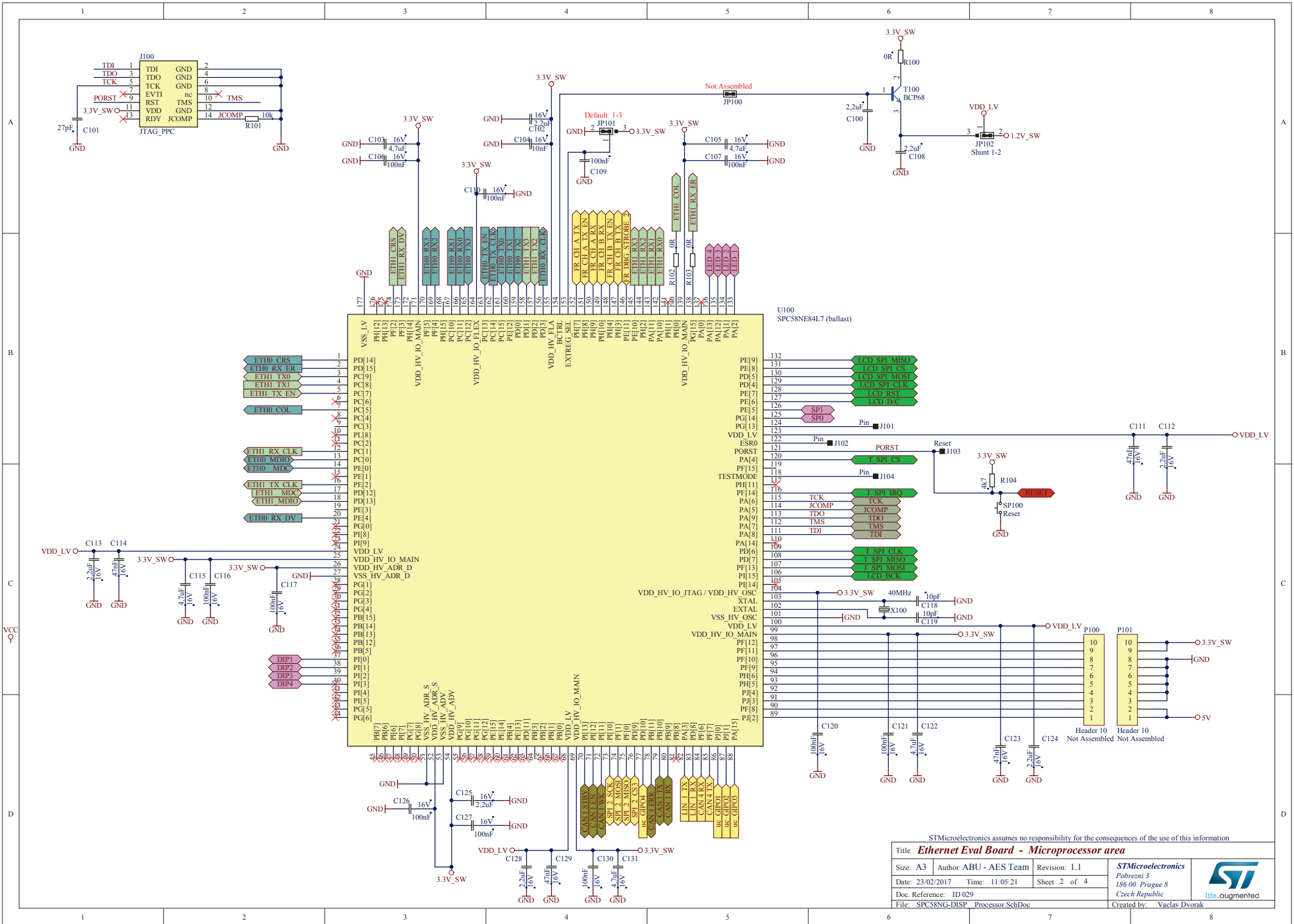
RoHS COMPLIANT



For A6986F3V3
replace the output
voltage divider by
0R rezistor from
output to Vout

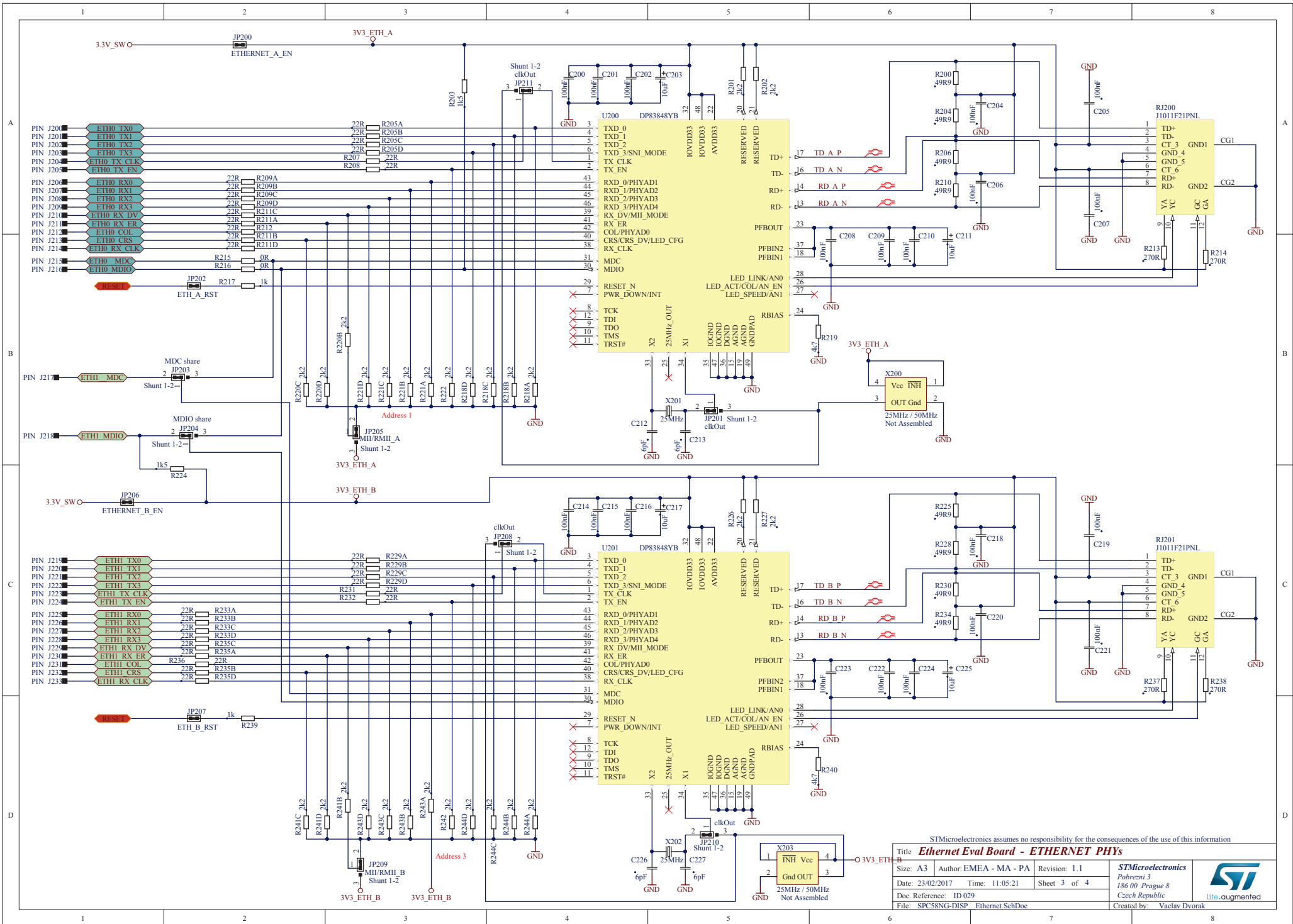
STMicroelectronics assumes no responsibility for the consequences of the use of this information

Title: Ethernet Eval Board - Power supply			
Size: A3	Author: ABU - AES Team	Revision: 1.1	STMicroelectronics
Date: 23/02/2017	Time: 11:05:20	Sheet 1 of 4	Pobrceni 3
Doc Reference: ID 029			186 00 Prague 8
File: SPC58NG_DISP_PowerSupply_SchDoc			Czech Republic
			Created by: Vaclav Dvorak



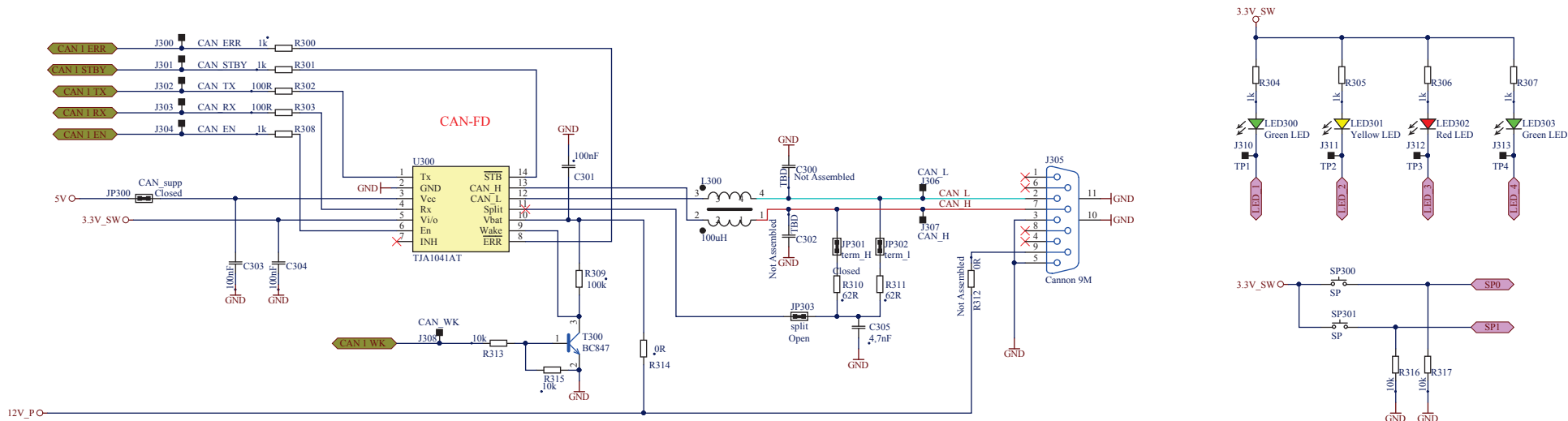
STMicroelectronics assumes no responsibility for the consequences of the use of this information

Title: Ethernet Eval Board - Microprocessor area			
Size: A3	Author: ABU - AES Team	Revision: 1.1	STMicroelectronics
Date: 23/02/2017	Time: 11:05:21	Sheet 2 of 4	Pobrceni 3
Doc Reference: ID 029			186 00 Prague 8
File: SPCS8NG-DISP Processor.SchDoc			Czech Republic
			Created by: Vaclav Dvorak

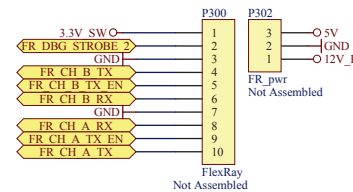
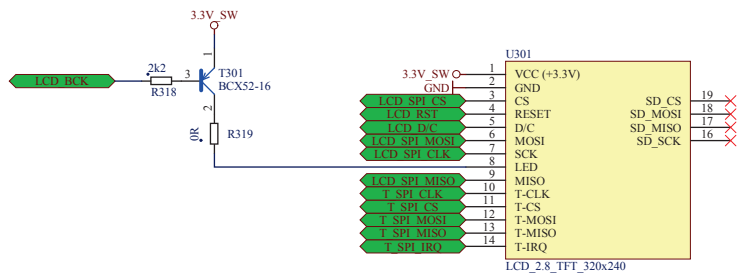
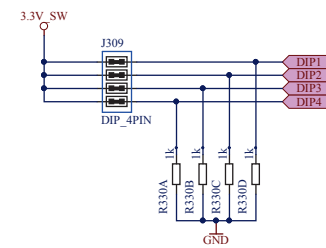
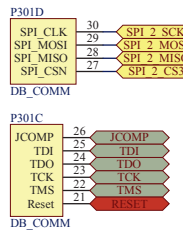
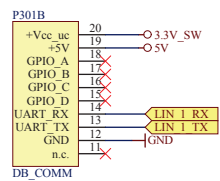
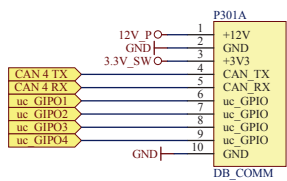


STMicroelectronics assumes no responsibility for the consequences of the use of this information

Ethernet Eval Board - ETHERNET PHYs			
Title: A3	Author: EMEA - MA - PA	Revision: 1.1	STMicroelectronics
Date: 23/02/2017	Time: 11:05:21	Sheet 3 of 4	Pobrceni 3
Doc Reference: ID 029			186 00 Prague 8
File: SPC58NG-DISP Ethernet.SchDoc			Czech Republic
			Created by: Vaclav Dvorak



Communication daughterboard socket



STMicroelectronics assumes no responsibility for the consequences of the use of this information

Title **Ethernet Eval Board - Communication Interfaces**

Size: A3	Author: ABU - AES Team	Revision: 1.1	STMicroelectronics	
Date: 23/02/2017	Time: 11:05:21	Sheet 4 of 4	Pobrceni 3 186 00 Prague 8 Czech Republic	
Doc Reference: ID 029	File: SPC58NG_DISP_Communication.SchDoc		Created by: Vaclav Dvorak	lifo.augmented