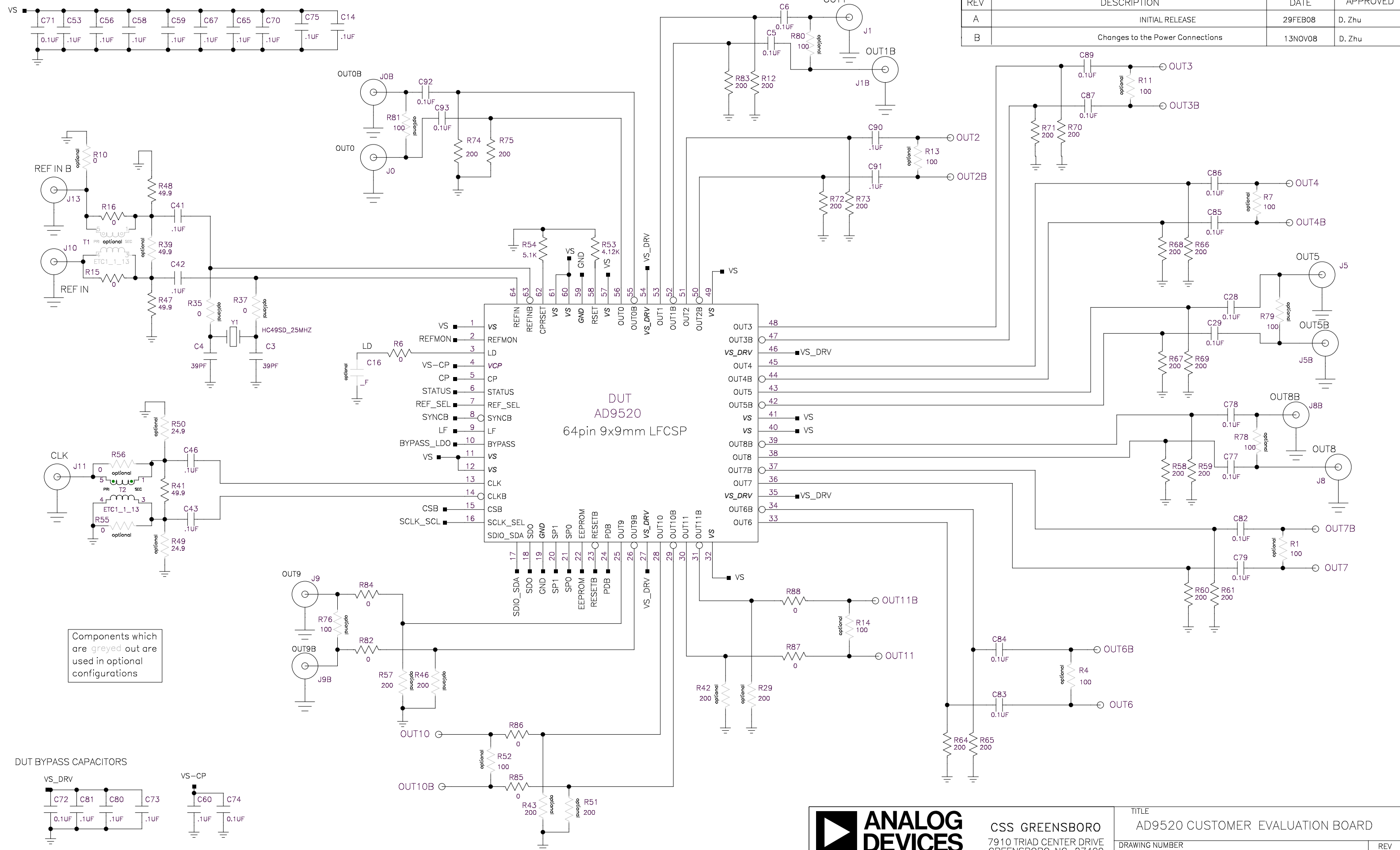
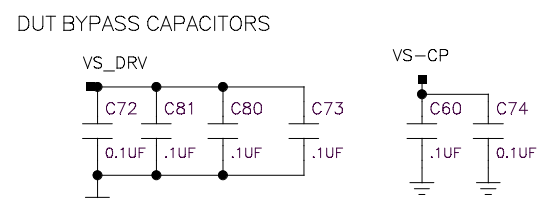


SOME TERMINATION COMPONENTS ARE OPTIONAL ONLY. REFER TO BOM(S) FOR TYPICAL COMPONENT INSTALLATION INFORMATION.

REVISIONS			
REV	DESCRIPTION	DATE	APPROVED
A	INITIAL RELEASE	29FEB08	D. Zhu
B	Changes to the Power Connections	13NOV08	D. Zhu

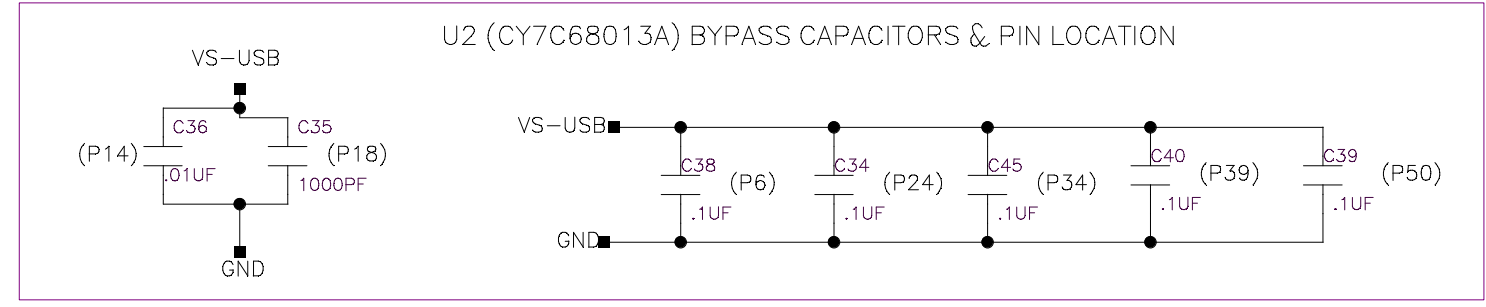
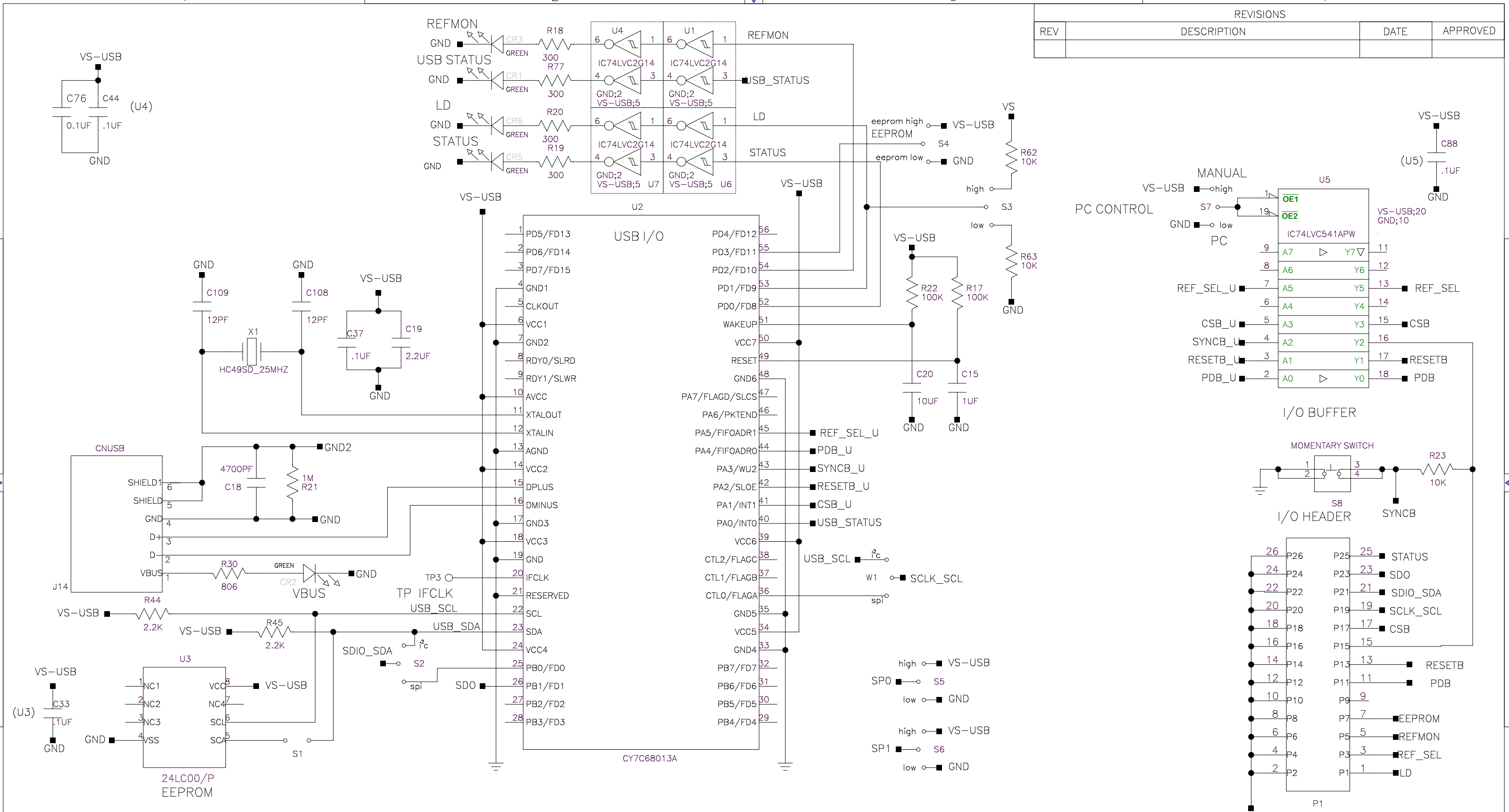


Components which are greyed out are used in optional configurations



	CSS GREENSBORO 7910 TRIAD CENTER DRIVE GREENSBORO NC 27409	TITLE AD9520 CUSTOMER EVALUATION BOARD	
	DATE: May 08, 2008	SHEET 1 OF 3	DRAWN BY: A. MACK
			REV B

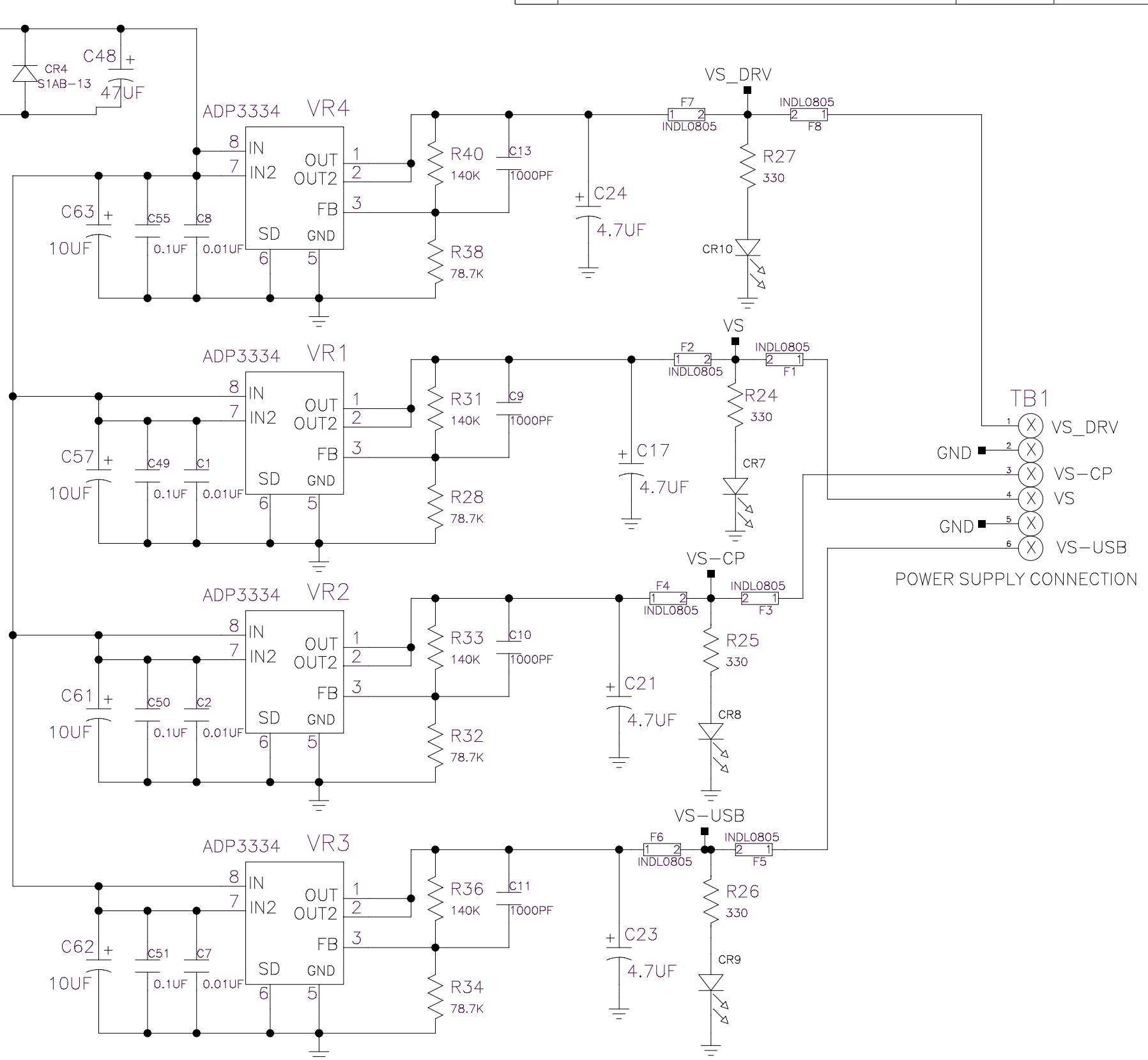
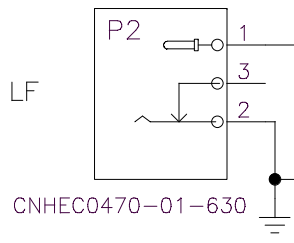
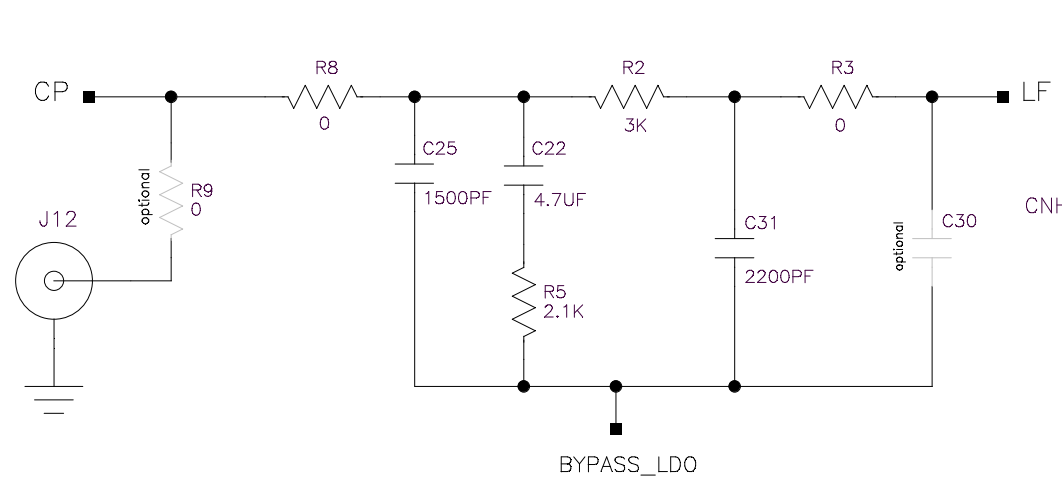
REVISIONS			
REV	DESCRIPTION	DATE	APPROVED



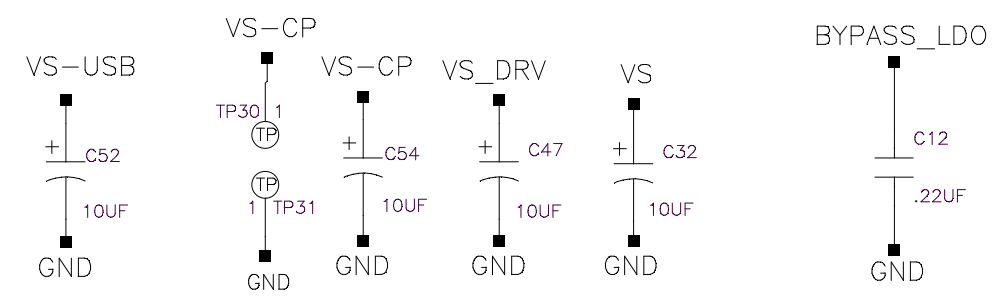
	CSS GREENSBORO 7910 TRIAD CENTER DRIVE GREENSBORO NC 27409	TITLE AD9520 Customer Evaluation Board	REV B
	DATE: May 8, 2008	SHEET 2 OF 3	DRAWING NUMBER 9520CE01

REVISIONS			
REV	DESCRIPTION	DATE	APPROVED

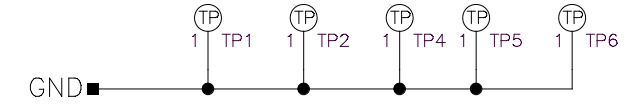
CHARGE PUMP FILTER



POWER SUPPLY BYPASS CAPACITORS



TEST POINT GROUNDS



	CSS GREENSBORO 7910 TRIAD CENTER DRIVE GREENSBORO NC 27409	TITLE AD9520 Customer Evaluation Board	
	DATE: May 8, 2008	SHEET 3 OF 3	DRAWN BY: A.MACK
			REV B