

# Dual Low Noise, Picoampere Bias Current, JFET Input Op Amp

## FEATURES

- **Input Bias Current, Warmed Up: 20pA Max**
- **100% Tested Low Voltage Noise:  $8\text{nV}/\sqrt{\text{Hz}}$  Max**
- S8 and N8 Package Standard Pinout
- Very Low Input Capacitance: 1.5pF
- Voltage Gain: 1.2 Million Min
- Offset Voltage: 2mV Max
- Input Resistance:  $10^{13}\Omega$
- Gain-Bandwidth Product: 5.3MHz Typ
- Guaranteed Specifications with  $\pm 5\text{V}$  Supplies
- Guaranteed Matching Specifications

## APPLICATIONS

- Photocurrent Amplifiers
- Hydrophone Amplifiers
- High Sensitivity Piezoelectric Accelerometers
- Low Voltage and Current Noise Instrumentation Amplifier Front Ends
- Two and Three Op Amp Instrumentation Amplifiers
- Active Filters

## DESCRIPTION

The LT1169 achieves a new standard of excellence in noise performance for a dual JFET op amp. For the first time low voltage noise ( $6\text{nV}/\sqrt{\text{Hz}}$ ) is simultaneously offered with extremely low current noise ( $1\text{fA}/\sqrt{\text{Hz}}$ ), providing the lowest total noise for high impedance transducer applications. Unlike most JFET op amps, the very low input bias current (5pA Typ) is maintained over the entire common mode range which results in an extremely high input resistance ( $10^{13}\Omega$ ). When combined with a very low input capacitance (1.5pF) an extremely high input impedance results, making the LT1169 the first choice for amplifying low level signals from high impedance transducers. The low input capacitance also assures high gain linearity when buffering AC signals from high impedance transducers.

The LT1169 is unconditionally stable for gains of 1 or more, even with 1000pF capacitive loads. Other key features are 0.6mV  $V_{OS}$  and a voltage gain over 4 million. Each individual amplifier is 100% tested for voltage noise, slew rate ( $4.2\text{V}/\mu\text{s}$ ), and gain-bandwidth product (5.3MHz).

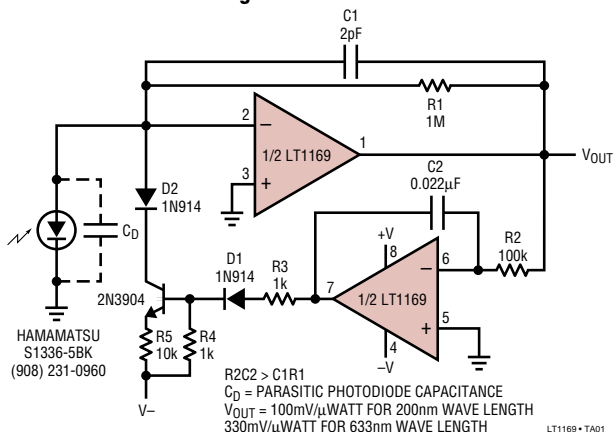
The LT1169 is offered in the S8 and N8 packages.

A full set of matching specifications are provided for precision instrumentation amplifier front ends. Specifications at  $\pm 5\text{V}$  supply operation are also provided. For an even lower voltage noise please see the LT1113 data sheet.

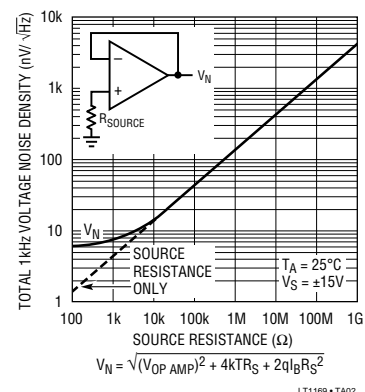
LT, LTC and LT are registered trademarks of Linear Technology Corporation.

## TYPICAL APPLICATION

Low Noise Light Sensor with DC Servo



1kHz Output Voltage Noise  
Density vs Source Resistance



## ABSOLUTE MAXIMUM RATINGS

Supply Voltage	
–55°C to 105°C .....	±20V
105°C to 125°C .....	±16V
Differential Input Voltage .....	±40V
Input Voltage (Equal to Supply Voltage) .....	±20V
Output Short-Circuit Duration .....	Indefinite
Operating Temperature Range .....	–40°C to 85°C
Storage Temperature Range .....	–65°C to 150°C
Lead Temperature (Soldering, 10 sec) .....	300°C

## PACKAGE/ORDER INFORMATION

<p>N8 PACKAGE 8-LEAD PDIP</p> <p>S8 PACKAGE 8-LEAD PLASTIC SO</p> <p><math>T_{JMAX} = 150^{\circ}C, \theta_{JA} = 80^{\circ}C/W</math> (N8)  <math>T_{JMAX} = 160^{\circ}C, \theta_{JA} = 190^{\circ}C/W</math> (S8)</p>	ORDER PART NUMBER
	LT1169CN8 LT1169CS8
	S8 PART MARKING
	1169

Consult factory for Industrial and Military grade parts.

## ELECTRICAL CHARACTERISTICS $V_S = \pm 15V, V_{CM} = 0V, T_A = 25^{\circ}C$ , unless otherwise noted.

SYMBOL	PARAMETER	CONDITIONS (Note 1)	MIN	TYP	MAX	UNITS
$V_{OS}$	Input Offset Voltage	$V_S = \pm 5V$		0.60	2.0	mV
				0.65	2.2	mV
$I_{OS}$	Input Offset Current	Warmed Up (Note 2) $T_J = 25^{\circ}C$ (Note 5)		2.5	15	$\mu A$
				0.7	4	$\mu A$
$I_B$	Input Bias Current	Warmed Up (Note 2) $T_J = 25^{\circ}C$ (Note 5)		4.0	20	$\mu A$
				1.5	5	$\mu A$
$e_n$	Input Noise Voltage	0.1Hz to 10Hz		2.4		$\mu V_{p-p}$
	Input Noise Voltage Density	$f_0 = 10Hz$ $f_0 = 1000Hz$		17		$nV/\sqrt{Hz}$
				6	8	$nV/\sqrt{Hz}$
$i_n$	Input Noise Current Density	$f_0 = 10Hz, f_0 = 1kHz$ (Note 3)		1		$fA/\sqrt{Hz}$
$R_{IN}$	Input Resistance Differential Mode Common Mode	$V_{CM} = -10V$ to $13V$		$10^{14}$		$\Omega$
				$10^{13}$		$\Omega$
$C_{IN}$	Input Capacitance	$V_S = \pm 5V$		1.5		pF
				2.0		pF
$V_{CM}$	Input Voltage Range (Note 4)		13.0	13.5		V
			-10.5	-11.0		V
CMRR	Common Mode Rejection Ratio	$V_{CM} = -10V$ to $13V$	82	95		dB
PSRR	Power Supply Rejection Ratio	$V_S = \pm 4.5V$ to $\pm 20V$	83	98		dB
$A_{VOL}$	Large-Signal Voltage Gain	$V_O = \pm 12V, R_L = 10k$ $V_O = \pm 10V, R_L = 1k$	1000	4500		V/mV
			500	3000		V/mV
$V_{OUT}$	Output Voltage Swing	$R_L = 10k$ $R_L = 1k$	$\pm 13.0$	$\pm 13.8$		V
			$\pm 12.0$	$\pm 13.0$		V
SR	Slew Rate	$R_L \geq 2k$ (Note 6)	2.4	4.2		V/ $\mu s$
GBW	Gain-Bandwidth Product	$f_0 = 100kHz$	3.3	5.3		MHz
	Channel Separation	$f_0 = 10Hz, V_O = \pm 10V, R_L = 1k$		126		dB
$I_S$	Supply Current per Amplifier	$V_S = \pm 5V$		5.3	6.50	mA
				5.3	6.45	mA
$\Delta V_{OS}$	Offset Voltage Match			0.8	3.5	mV
$\Delta I_B^+$	Noninverting Bias Current Match	Warmed Up (Note 2)		3	20	$\mu A$
$\Delta CMRR$	Common Mode Rejection Match	(Note 8)	78	94		dB
$\Delta PSRR$	Power Supply Rejection Match	(Note 8)	80	95		dB

**ELECTRICAL CHARACTERISTICS**  $V_S = \pm 15V$ ,  $V_{CM} = 0V$ ,  $0^\circ C \leq T_A \leq 70^\circ C$ , (Note 9), unless otherwise noted.

SYMBOL	PARAMETER	CONDITIONS (Note 1)	MIN	TYP	MAX	UNITS
$V_{OS}$	Input Offset Voltage	$V_S = \pm 5V$	●	0.7	3.2	mV
			●	0.8	3.4	mV
$\frac{\Delta V_{OS}}{\Delta Temp}$	Average Input Offset Voltage Drift	(Note 5)	●	20	50	$\mu V/^\circ C$
$I_{OS}$	Input Offset Current		●	10	50	pA
$I_B$	Input Bias Current		●	180	400	pA
$V_{CM}$	Input Voltage Range		●	12.9	13.4	V
			●	-10.0	-10.8	V
CMRR	Common Mode Rejection Ratio	$V_{CM} = -10V$ to 12.9V	●	79	94	dB
PSRR	Power Supply Rejection Ratio	$V_S = \pm 4.5V$ to $\pm 20V$	●	81	97	dB
$A_{VOL}$	Large-Signal Voltage Gain	$V_O = \pm 12V$ , $R_L = 10k$ $V_O = \pm 10V$ , $R_L = 1k$	●	800	3400	V/mV
			●	400	2400	V/mV
$V_{OUT}$	Output Voltage Swing	$R_L = 10k$ $R_L = 1k$	●	$\pm 12.5$	$\pm 13.5$	V
			●	$\pm 11.5$	$\pm 12.7$	V
SR	Slew Rate	$R_L \geq 2k$ (Note 6)	●	1.9	4	V/ $\mu s$
GBW	Gain-Bandwidth Product	$f_0 = 100kHz$	●	3	4.2	MHz
$I_S$	Supply Current per Amplifier	$V_S = \pm 5V$	●	5.3	6.55	mA
			●	5.3	6.50	mA
$\Delta V_{OS}$	Offset Voltage Match		●	1.5	5	mV
$\Delta I_B^+$	Noninverting Bias Current Match		●	5.5	50	pA
$\Delta CMRR$	Common Mode Rejection Match	(Note 8)	●	74	93	dB
$\Delta PSRR$	Power Supply Rejection Match	(Note 8)	●	77	93	dB

$V_S = \pm 15V$ ,  $V_{CM} = 0V$ ,  $-40^\circ C \leq T_A \leq 85^\circ C$ , (Note 7), unless otherwise noted.

SYMBOL	PARAMETER	CONDITIONS (Note 1)	MIN	TYP	MAX	UNITS
$V_{OS}$	Input Offset Voltage	$V_S = \pm 5V$	●	0.8	3.8	mV
			●	0.9	4.0	mV
$\frac{\Delta V_{OS}}{\Delta Temp}$	Average Input Offset Voltage Drift		●	20	50	$\mu V/^\circ C$
$I_{OS}$	Input Offset Current		●	30	200	pA
$I_B$	Input Bias Current		●	320	1200	pA
$V_{CM}$	Input Voltage Range		●	12.6	13.0	V
			●	-10.0	-10.5	V
CMRR	Common Mode Rejection Ratio	$V_{CM} = -10V$ to 12.6V	●	78	93	dB
PSRR	Power Supply Rejection Ratio	$V_S = \pm 4.5V$ to $\pm 20V$	●	79	96	dB
$A_{VOL}$	Large-Signal Voltage Gain	$V_O = \pm 12V$ , $R_L = 10k$ $V_O = \pm 10V$ , $R_L = 1k$	●	750	3000	V/mV
			●	300	2000	V/mV
$V_{OUT}$	Output Voltage Swing	$R_L = 10k$ $R_L = 1k$	●	$\pm 12.5$	$\pm 12.5$	V
			●	$\pm 11.3$	$\pm 12.0$	V
SR	Slew Rate	$R_L \geq 2k$	●	1.8	3.8	V/ $\mu s$
GBW	Gain-Bandwidth Product	$f_0 = 100kHz$	●	2.7	4	MHz
$I_S$	Supply Current per Amplifier	$V_S = \pm 5V$	●	5.30	6.55	mA
			●	5.25	6.50	mA

**ELECTRICAL CHARACTERISTICS**  $V_S = \pm 15V$ ,  $V_{CM} = 0V$ ,  $-40^\circ C \leq T_A \leq 85^\circ C$ , (Note 7), unless otherwise noted.

SYMBOL	PARAMETER	CONDITIONS (Note 1)	MIN	TYP	MAX	UNITS
$\Delta V_{OS}$	Offset Voltage Match		●	1.8	6	mV
$\Delta I_B^+$	Noninverting Bias Current Match		●	10	180	$\mu A$
$\Delta CMRR$	Common Mode Rejection Match	(Note 8)	●	73	93	dB
$\Delta PSRR$	Power Supply Rejection Match	(Note 8)	●	75	92	dB

The ● denotes specifications which apply over the full operating temperature range.

**Note 1:** Typical parameters are defined as the 60% yield of parameter distributions of individual amplifiers, i.e., out of 100 LT1169s (200 op amps) typically 120 op amps will be better than the indicated specification.

**Note 2:**  $I_B$  and  $I_{OS}$  readings are extrapolated to a warmed-up temperature from 25°C measurements and 45°C characterization data.

**Note 3:** Current noise is calculated from the formula:

$$i_n = (2qI_B)^{1/2}$$

where  $q = 1.6 \times 10^{-19}$  coulomb. The noise of source resistors up to 200M swamps the contribution of current noise.

**Note 4:** Input voltage range functionality is assured by testing offset voltage at the input voltage range limits to a maximum of 2.8mV.

**Note 5:** This parameter is not 100% tested.

**Note 6:** Slew rate is measured in  $A_V = -1$ ; input signal is  $\pm 7.5V$ , output measured at  $\pm 2.5V$ .

**Note 7:** The LT1169 is designed, characterized and expected to meet these extended temperature limits, but is not tested at  $-40^\circ C$  and  $85^\circ C$ . Guaranteed I grade parts are available; consult factory.

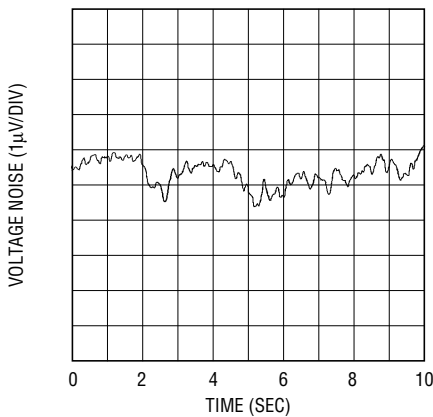
**Note 8:**  $\Delta CMRR$  and  $\Delta PSRR$  are defined as follows:

- (1) CMRR and PSRR are measured in  $\mu V/V$  on the individual amplifiers.
- (2) The difference is calculated between the matching sides in  $\mu V/V$ .
- (3) The result is converted to dB.

**Note 9:** The LT1169 is measured in an automated tester in less than one second after application of power. Depending on the package used, power dissipation, heat sinking, and air flow conditions, the fully warmed-up chip temperature can be  $10^\circ C$  to  $50^\circ C$  higher than the ambient temperature.

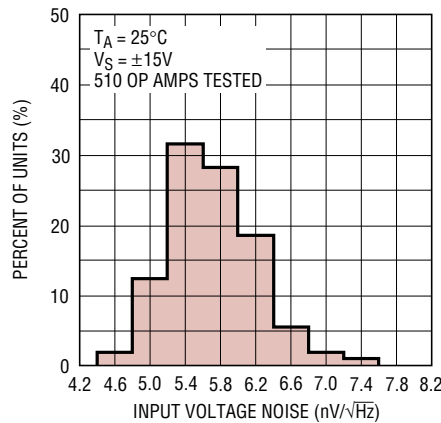
**TYPICAL PERFORMANCE CHARACTERISTICS**

0.1Hz to 10Hz Voltage Noise



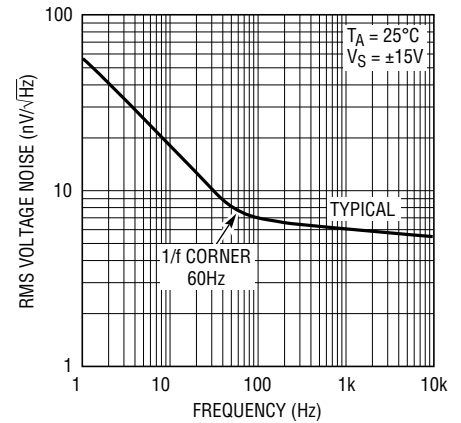
LT1169 • TPC01

1kHz Input Noise Voltage Distribution



LT1169 • TPC02

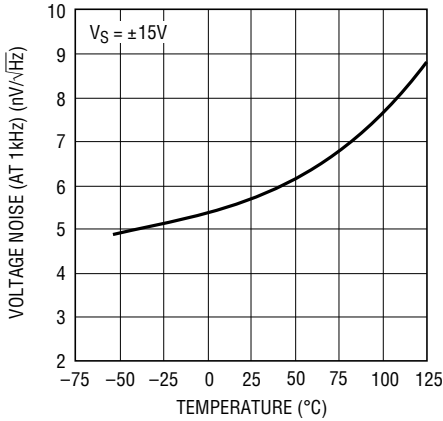
Voltage Noise vs Frequency



LT1169 • TPC03

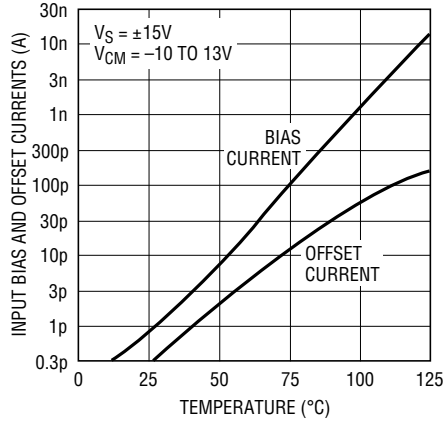
# TYPICAL PERFORMANCE CHARACTERISTICS

Voltage Noise vs Chip Temperature



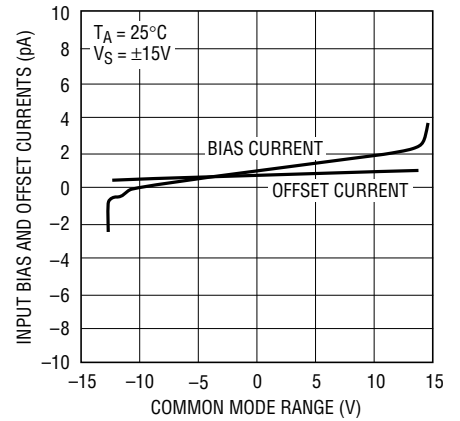
LT1169 • TPC04

Input Bias and Offset Currents vs Chip Temperature



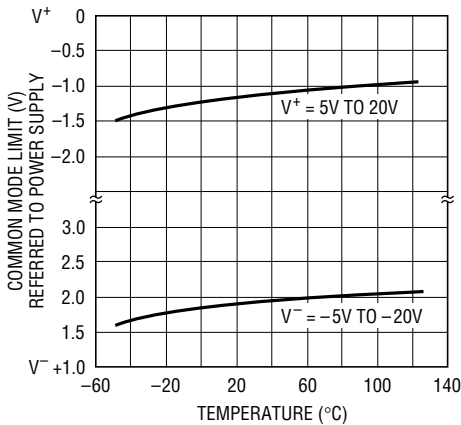
LT1169 • TPC05

Input Bias and Offset Currents Over the Common Mode Range



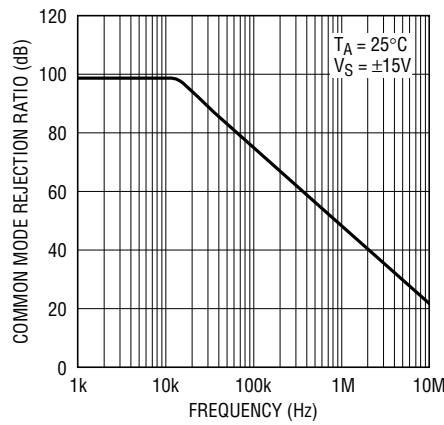
LT1169 • TPC06

Common Mode Limit vs Temperature



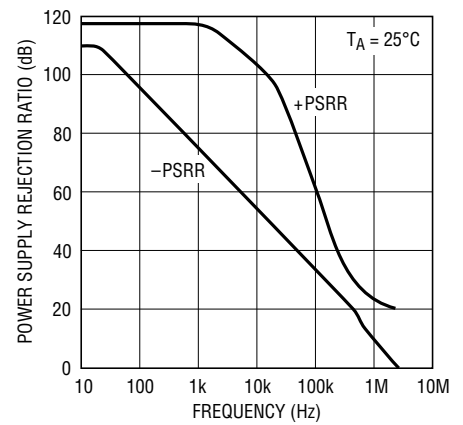
LT1169 • TPC07

Common Mode Rejection Ratio vs Frequency



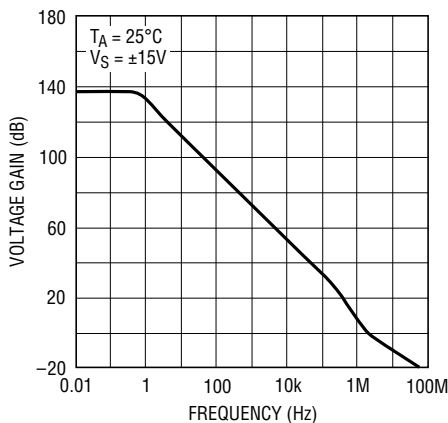
LT1169 • TPC08

Power Supply Rejection Ratio vs Frequency



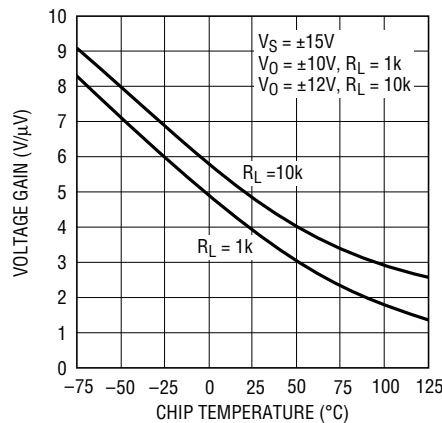
LT1169 • TPC09

Voltage Gain vs Frequency



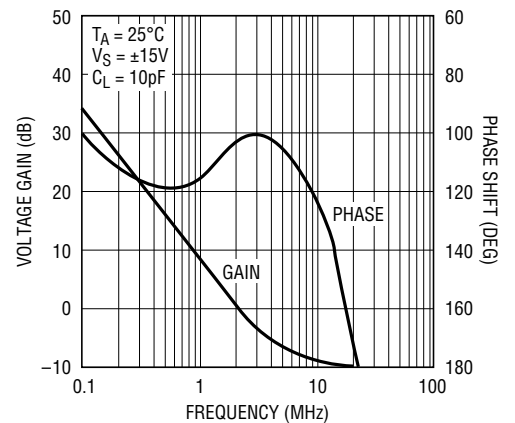
LT1169 • TPC10

Voltage Gain vs Chip Temperature



LT1169 • TPC11

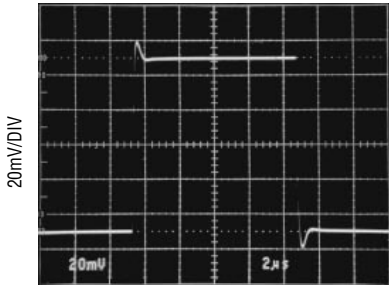
Gain and Phase Shift vs Frequency



LT1169 • TPC12

# TYPICAL PERFORMANCE CHARACTERISTICS

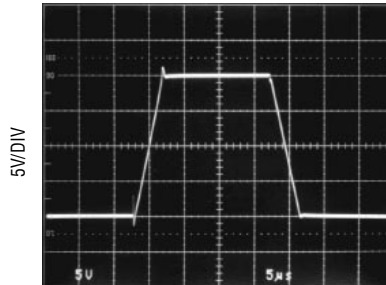
**Small-Signal Transient Response**



$A_V = 1$   
 $C_L = 10\text{pF}$   
 $V_S = \pm 15\text{V}, \pm 5\text{V}$

2µs/DIV  
 LT1169 • TPC13

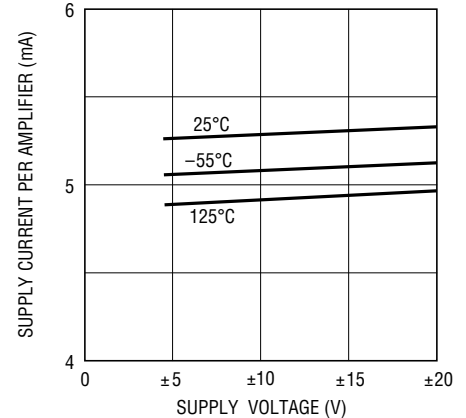
**Large-Signal Transient Response**



$A_V = 1$   
 $C_L = 10\text{pF}$   
 $V_S = \pm 15\text{V}$

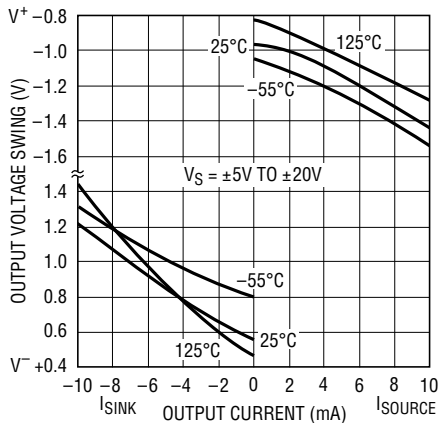
5µs/DIV  
 LT1169 • TPC14

**Supply Current vs Supply Voltage**



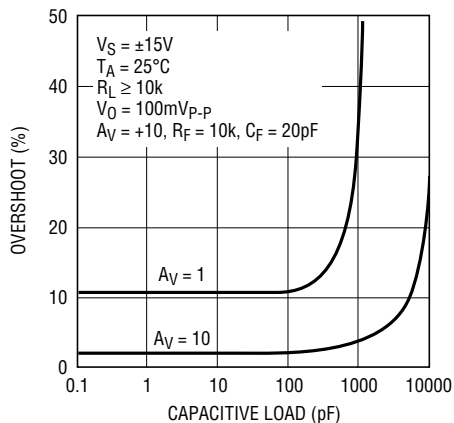
LT1169 • TPC15

**Output Voltage Swing vs Load Current**



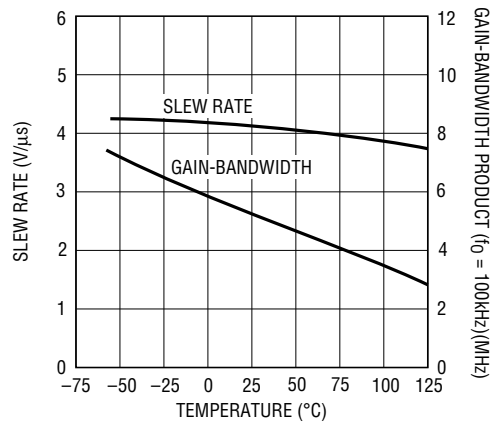
LT1169 • TPC16

**Capacitive Load Handling**



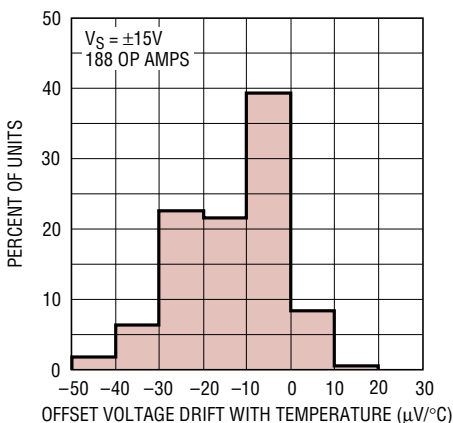
LT1169 • TPC17

**Slew Rate and Gain-Bandwidth Product vs Temperature**



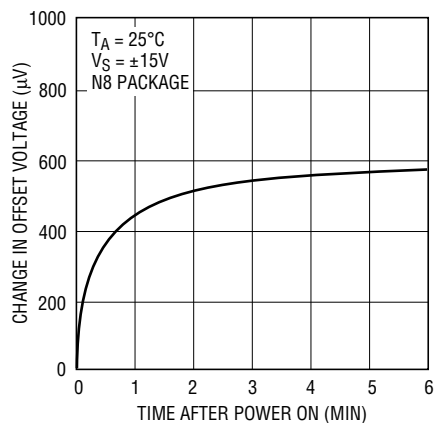
LT1169 • TPC18

**Distribution of Offset Voltage Drift with Temperature**



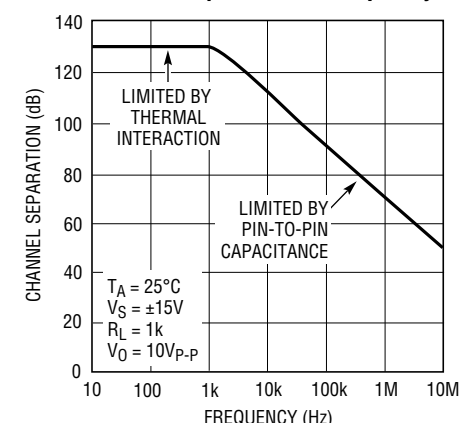
LT1169 • TPC19

**Warm-Up Drift**



LT1169 • TPC20

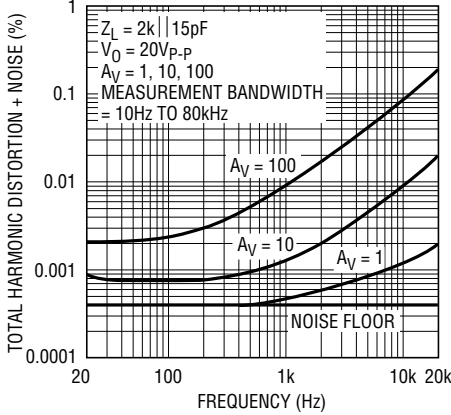
**Channel Separation vs Frequency**



LT1169 • TPC21

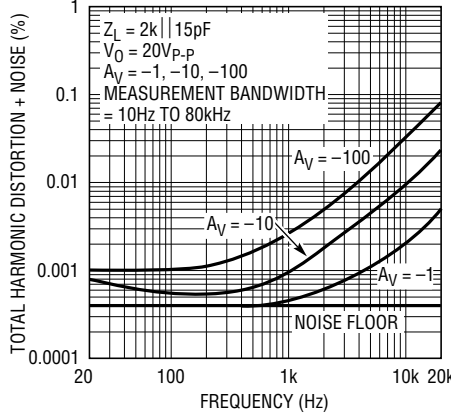
**TYPICAL PERFORMANCE CHARACTERISTICS**

**THD and Noise vs Frequency for Noninverting Gain**



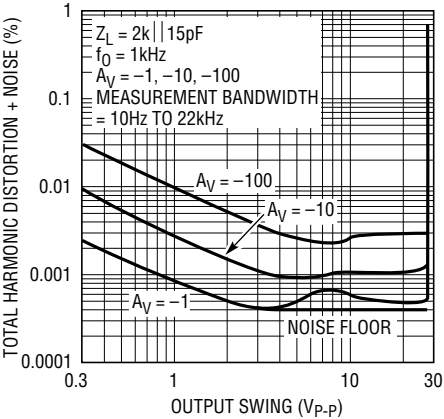
LT1169 • TPC22

**THD and Noise vs Frequency for Inverting Gain**



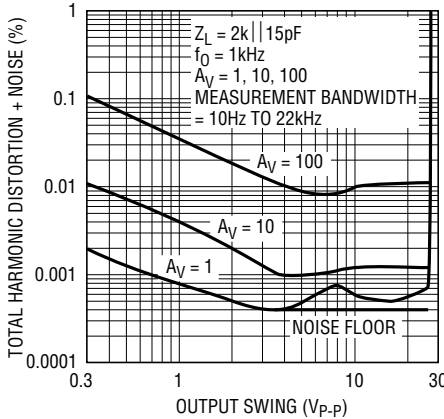
LT1169 • TPC23

**THD and Noise vs Output Amplitude for Inverting Gain**



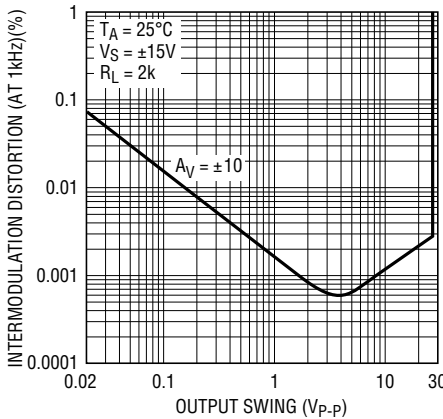
LT1169 • TPC24

**THD and Noise vs Output Amplitude for Noninverting Gain**



LT1169 • TPC25

**CCIF IMD Test (Equal Amplitude Tones at 13kHz, 14kHz)\***



LT1169 • TPC26

\* SEE LT1115 DATA SHEET FOR DEFINITION OF CCIF TESTING

**APPLICATIONS INFORMATION**

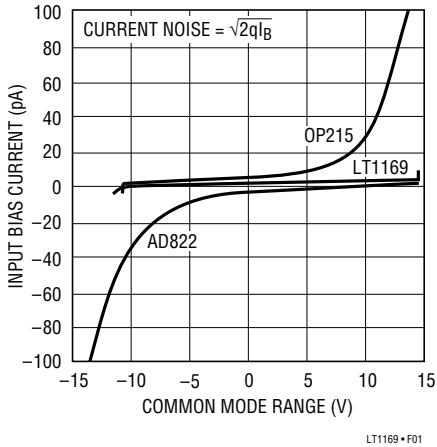
**LT1169 vs the Competition**

With improved noise performance, the LT1169 dual in the plastic DIP directly replaces such JFET op amps as the OPA2111, OPA2604, OP215, and the AD822. The combination of low current and voltage noise of the LT1169 allows it to surpass most dual and single JFET op amps. The LT1169 can replace many of the lowest noise bipolar amps that are used in amplifying low level signals from high impedance transducers. The best bipolar op amps will eventually lose out to the LT1169 when transducer impedance increases due to higher current noise.

The extremely high input impedance ( $10^{13}\Omega$ ) assures that the input bias current is almost constant over the entire common mode range. Figure 1 shows how the LT1169 stands up to the competition. Unlike the competition, as the input voltage is swept across the entire common mode range the input bias current of the LT1169 hardly changes. As a result the current noise does not degrade. This makes the LT1169 the best choice in applications where an amplifier has to buffer signals from a high impedance transducer.



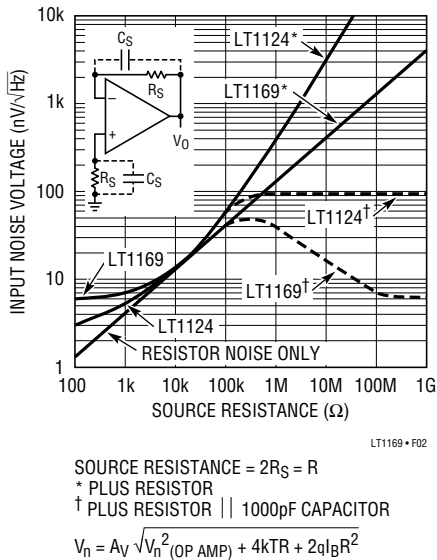
## APPLICATIONS INFORMATION



**Figure 1. Comparison of LT1169, OP215, and AD822 Input Bias Current vs Common Mode Range**

### Amplifying Signals from High Impedance Transducers

The low voltage and current noise offered by the LT1169 makes it useful in a wide range of applications, especially where high impedance, capacitive transducers are used such as hydrophones, precision accelerometers, and photodiodes. The total output noise in such a system is the gain times the RMS sum of the op amp’s input referred voltage noise, the thermal noise of the transducer, and the op amp’s input bias current noise times the transducer impedance. Figure 2 shows total input voltage noise versus source resistance. In a low source resistance (<5k) application the op amp voltage noise will dominate



SOURCE RESISTANCE =  $2R_S = R$   
 \* PLUS RESISTOR  
 † PLUS RESISTOR || 1000pF CAPACITOR  
 $V_n = A_V \sqrt{V_n^2(\text{OP AMP}) + 4kTR + 2qI_B R^2}$

**Figure 2. Comparison of LT1169 and LT1124 Total Output 1kHz Voltage Noise vs Source Resistance**

the total noise. This means the LT1169 is superior to most dual JFET op amps. Only the lowest noise bipolar op amps have the advantage at low source resistances. As the source resistance increases from 5k to 50k, the LT1169 will match the best bipolar op amps for noise performance, since the thermal noise of the transducer ( $4kTR$ ) begins to dominate the total noise. A further increase in source resistance, above 50k, is where the op amp’s current noise component ( $2qI_B R^2$ ) will eventually dominate the total noise. At these high source resistances, the LT1169 will outperform the lowest noise bipolar op amps due to the inherently low current noise of FET input op amps. Clearly, the LT1169 will extend the range of high impedance transducers that can be used for high signal-to-noise ratios. This makes the LT1169 the best choice for high impedance, capacitive transducers.

### Optimization Techniques for Charge Amplifiers

The high input impedance JFET front end makes the LT1169 suitable in applications where very high charge sensitivity is required. Figure 3 illustrates the LT1169 in its inverting and noninverting modes of operation. A charge amplifier is shown in the inverting mode example; the gain depends on the principle of charge conservation at the input of the LT1169. The charge across the transducer capacitance  $C_S$  is transferred to the feedback capacitor  $C_F$  resulting in a change in voltage  $dV$ , which is equal to  $dQ/C_F$ . The gain therefore is  $1 + C_F/C_S$ . For unity-gain, the  $C_F$  should equal the transducer capacitance plus the input capacitance of the LT1169 and  $R_F$  should equal  $R_S$ .

In the noninverting mode example, the transducer current is converted to a change in voltage by the transducer capacitance,  $C_S$ . This voltage is then buffered by the LT1169 with a gain of  $1 + R_1/R_2$ . A DC path is provided by  $R_S$ , which is either the transducer impedance or an external resistor. Since  $R_S$  is usually several orders of magnitude greater than the parallel combination of  $R_1$  and  $R_2$ ,  $R_B$  is added to balance the DC offset caused by the noninverting input bias current and  $R_S$ . The input bias currents, although small at room temperature, can create significant errors over increasing temperature, especially with transducer resistances of up to  $1000M\Omega$  or more. The optimum value for  $R_B$  is determined by equating the thermal noise ( $4kTR_S$ ) to the current noise ( $2qI_B$ ) times  $R_S^2$ . Solving for  $R_S$  results in  $R_B = R_S = 2V_T/I_B$ . A parallel



## APPLICATIONS INFORMATION

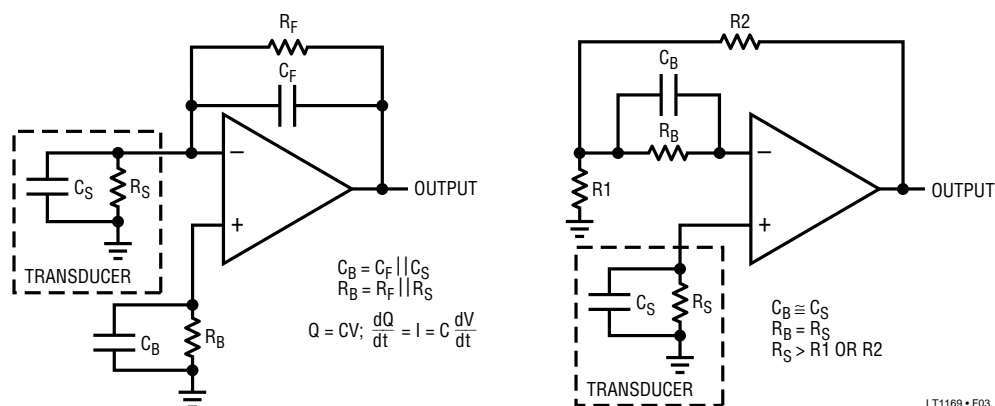


Figure 3. Inverting and Noninverting Gain Configurations

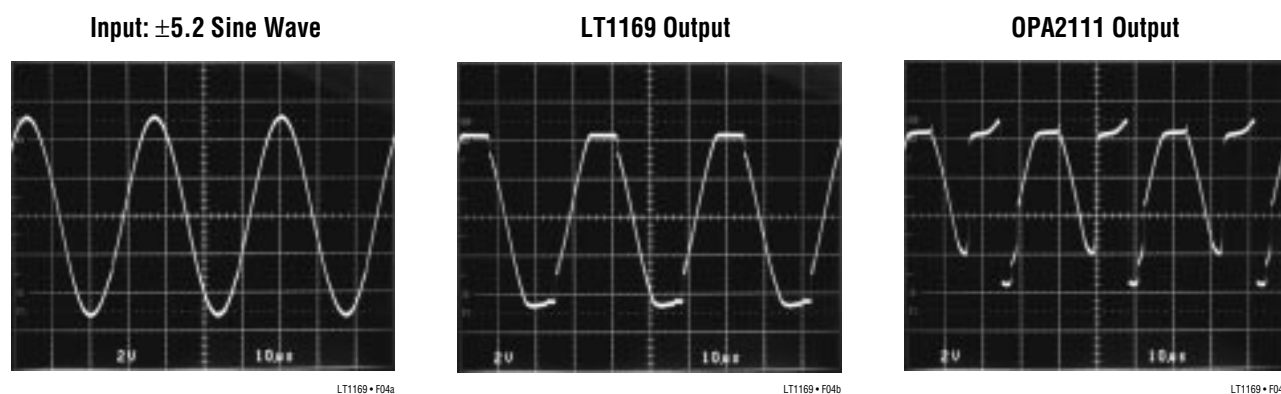


Figure 4. Voltage Follower with Input Exceeding the Common Mode Range ( $V_S = \pm 5V$ )

capacitor  $C_B$ , is used to cancel the phase shift caused by the op amp input capacitance and  $R_B$ .

### Reduced Power Supply Operation

To take full advantage of a wide input common-mode range, the LT1169 was designed to eliminate phase reversal. Referring to the photographs in Figure 4, the LT1169 is shown operating in the follower mode ( $A_V = 1$ ) at  $\pm 5V$  supplies with the input swinging  $\pm 5.2V$ . The output of the LT1169 clips cleanly and recovers with no phase reversal, unlike the competition as shown by the last photograph. This has the benefit of preventing lockup in servo systems and minimizing distortion components. The effect of input and output overdrive on one amplifier has no effect on the other, as each amplifier is biased independently.

### Advantages of Matched Dual Op Amps

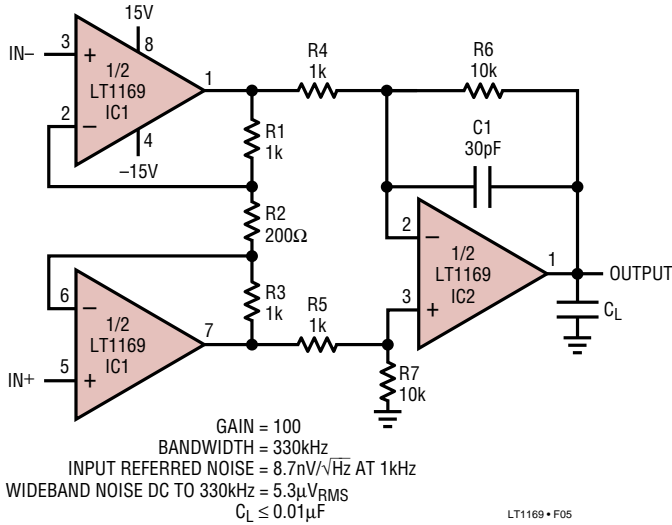
In many applications the performance of a system depends on the matching between two operational amplifiers rather than the individual characteristics of the two op

amps. Two or three op amp instrumentation amplifiers, tracking voltage references and low drift active filters are some of the circuits requiring matching between two op amps.

The well-known triple op amp configuration in Figure 5 illustrates these concepts. Output offset is a function of the difference between the two halves of the LT1169. This error cancellation principle holds for a considerable number of input referred parameters in addition to offset voltage and bias current. Input bias current will be the average of the two noninverting input currents ( $I_B^+$ ). The difference between these two currents ( $\Delta I_B^+$ ) is the offset current of the instrumentation amplifier. Common-mode and power supply rejections will be dependent only on the match between the two amplifiers (assuming perfect resistor matching).

The concepts of common mode and power supply rejection ratio match ( $\Delta CMRR$  and  $\Delta PSRR$ ) are best demonstrated with a numerical example:

**APPLICATIONS INFORMATION**



**Figure 5. Three Op Amp Instrumentation Amplifier**

Assume  $CMRR_A = 50\mu V/V$  or 86dB,  
 and  $CMRR_B = 39\mu V/V$  or 88dB,  
 then  $\Delta CMRR = 11\mu V/V$  or 99dB;  
 if  $CMRR_B = -39\mu V/V$  which is still 88dB,  
 then  $\Delta CMRR = 89\mu V/V$  or 81dB

By specifying and guaranteeing all of these matching parameters, the LT1169 can significantly improve the performance of matching-dependent circuits.

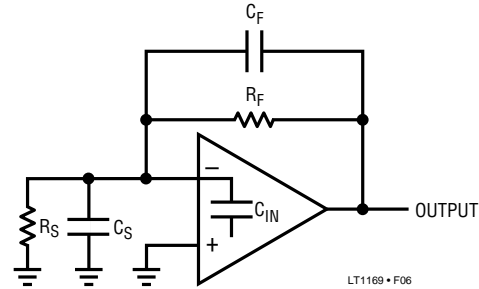
Typical performance of the instrumentation amplifier:

Input offset voltage = 0.8mV  
 Input bias current = 4pA

Input offset current = 3pA  
 Input resistance =  $10^{13}\Omega$   
 Input noise =  $3.4\mu V_{p-p}$

**High Speed Operation**

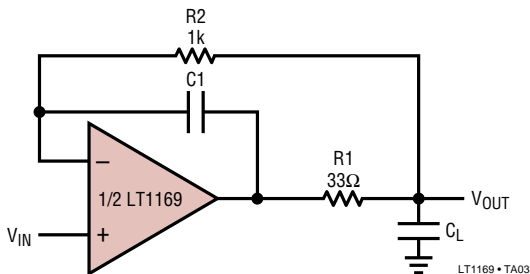
The low noise performance of the LT1169 was achieved by enlarging the input JFET differential pair to maximize the first stage gain. Enlarging the JFET geometry also increases the parasitic gate capacitance, which if left unchecked, can result in increased overshoot and ringing. When the feedback around the op amp is resistive ( $R_F$ ), a pole will be created with  $R_F$ , the source resistance and capacitance ( $R_S, C_S$ ), and the amplifier input capacitance ( $C_{IN} = 1.5pF$ ). In closed-loop gain configurations with  $R_S$  and  $R_F$  in the  $M\Omega$  range (Figure 6), this pole can create excess phase shift and even oscillation. A small capacitor ( $C_F$ ) in parallel with  $R_F$  eliminates this problem. With  $R_S(C_S + C_{IN}) = R_F C_F$ , the effect of the feedback pole is completely removed.



**Figure 6**

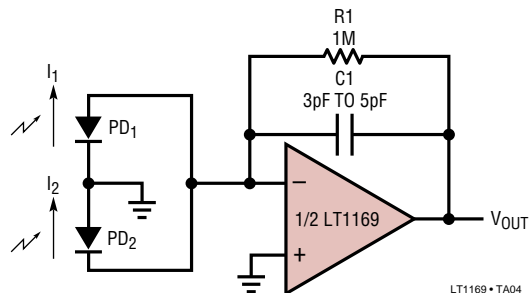
**TYPICAL APPLICATIONS**

**Unity-Gain Buffer with Extended Load Capacitance Drive Capability**



$C1 = C_L \leq 0.1\mu F$   
 OUTPUT SHORT CIRCUIT CURRENT ( $\sim 30mA$ ) WILL LIMIT THE RATE AT WHICH THE VOLTAGE CAN CHANGE ACROSS LARGE CAPACITORS  
 $(I = C \frac{dV}{dt})$

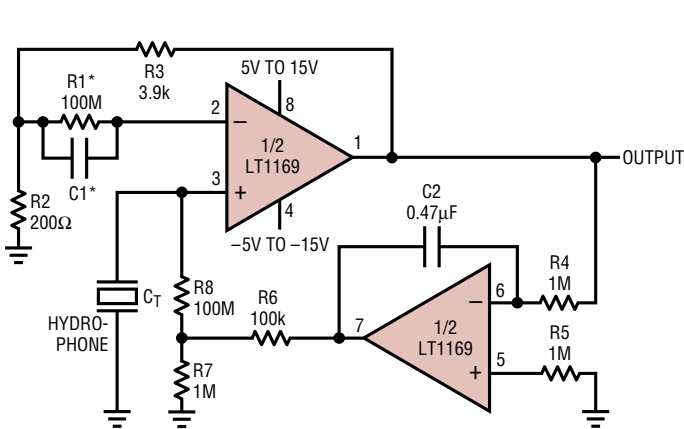
**Light Balance Detection Circuit**



$V_{OUT} = 1M \times (I_1 - I_2)$   
 PD<sub>1</sub>, PD<sub>2</sub> = HAMAMATSU S1336-5BK  
 WHEN EQUAL LIGHT ENTERS PHOTODIODES,  $V_{OUT} < 3mV$ .

# TYPICAL APPLICATIONS

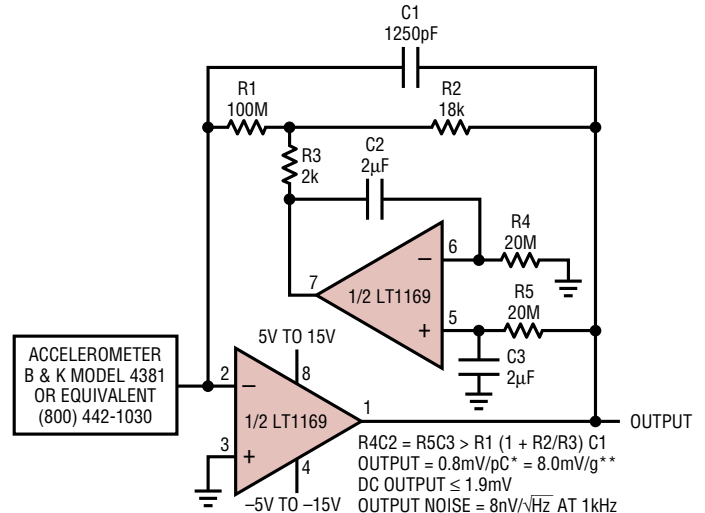
**Low Noise Hydrophone Amplifier with DC Servo**



DC OUTPUT  $\leq 2.5\text{mV}$  FOR  $T_A < 70^\circ\text{C}$   
 OUTPUT VOLTAGE NOISE =  $128\text{nV}/\sqrt{\text{Hz}}$  AT  $1\text{kHz}$  (GAIN = 20)  
 $C1 = C_T \approx 100\text{pF}$  TO  $5000\text{pF}$ ;  $R4C2 > R8C_T$ ; \*OPTIONAL

LT1169 • TA05

**Accelerometer Amplifier with DC Servo**



ACCELEROMETER  
 B & K MODEL 4381  
 OR EQUIVALENT  
 (800) 442-1030

$R4C2 = R5C3 > R1(1 + R2/R3)$   $C1$   
 OUTPUT =  $0.8\text{mV}/\text{pC}^* = 8.0\text{mV}/\text{g}^{**}$   
 DC OUTPUT  $\leq 1.9\text{mV}$   
 OUTPUT NOISE =  $8\text{nV}/\sqrt{\text{Hz}}$  AT  $1\text{kHz}$

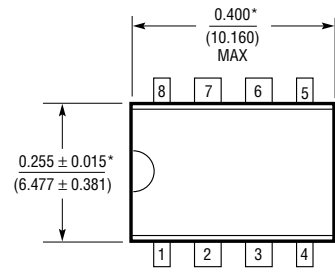
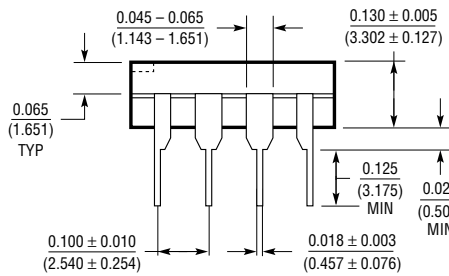
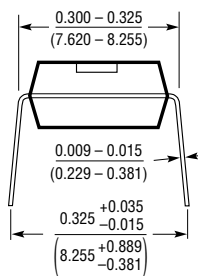
\*PICOCOULOMBS  
 \*\*g = EARTH'S GRAVITATIONAL CONSTANT

LT1169 • TA07

# PACKAGE DESCRIPTION

Dimensions in inches (millimeters) unless otherwise noted.

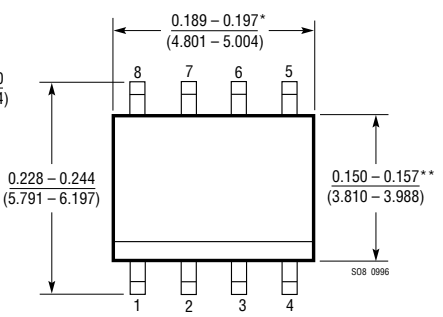
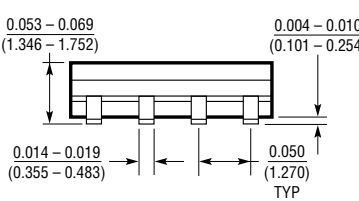
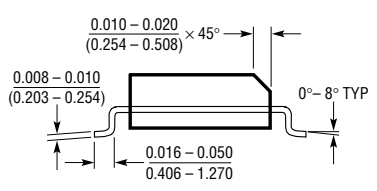
**N8 Package**  
**8-Lead PDIP (Narrow 0.300)**  
 (LTC DWG # 05-08-1510)



NS 1197

\*THESE DIMENSIONS DO NOT INCLUDE MOLD FLASH OR PROTRUSIONS.  
 MOLD FLASH OR PROTRUSIONS SHALL NOT EXCEED 0.010 INCH (0.254mm)

**S8 Package**  
**8-Lead Plastic Small Outline (Narrow 0.150)**  
 (LTC DWG # 05-08-1610)

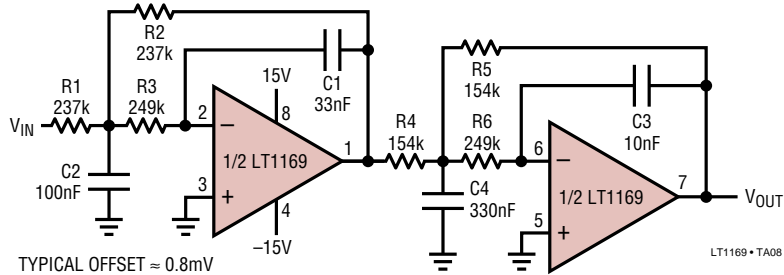


\*DIMENSION DOES NOT INCLUDE MOLD FLASH. MOLD FLASH SHALL NOT EXCEED 0.006" (0.152mm) PER SIDE  
 \*\*DIMENSION DOES NOT INCLUDE INTERLEAD FLASH. INTERLEAD FLASH SHALL NOT EXCEED 0.010" (0.254mm) PER SIDE

S08 0996

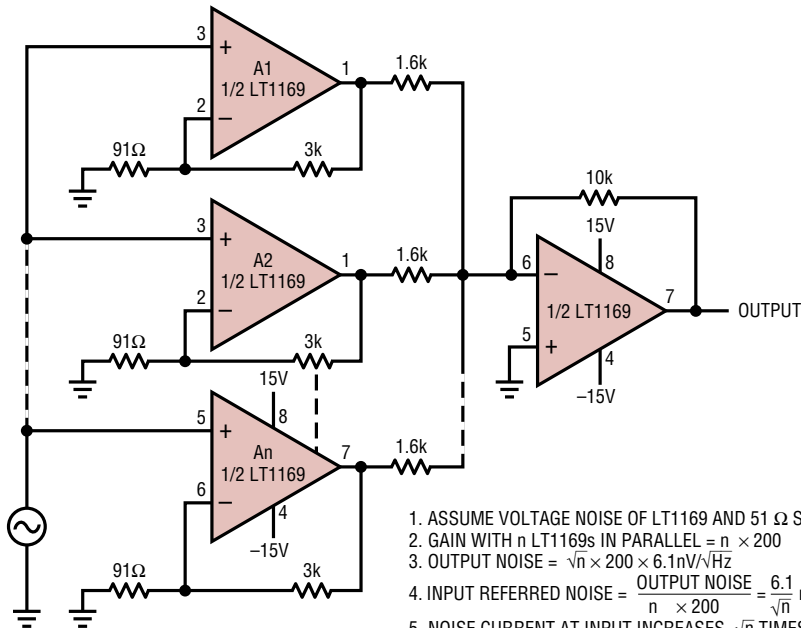
**TYPICAL APPLICATIONS**

**10Hz Fourth Order Chebyshev Lowpass Filter (0.01dB Ripple)**



TYPICAL OFFSET  $\approx$  0.8mV  
 1% TOLERANCES  
 FOR  $V_{IN} = 10V_{P-P}$ ,  $V_{OUT} = -121dB$  AT  $f > 330Hz$   
 $= -6dB$  AT  $f = 16.3Hz$   
 LOWER RESISTOR VALUES WILL RESULT IN LOWER THERMAL NOISE AND LARGER CAPACITORS

**Paralleling Amplifiers to Reduce Voltage Noise**



1. ASSUME VOLTAGE NOISE OF LT1169 AND 51  $\Omega$  SOURCE RESISTOR =  $6.1nV/\sqrt{Hz}$
2. GAIN WITH n LT1169s IN PARALLEL =  $n \times 200$
3. OUTPUT NOISE =  $\sqrt{n} \times 200 \times 6.1nV/\sqrt{Hz}$
4. INPUT REFERRED NOISE =  $\frac{OUTPUT\ NOISE}{n \times 200} = \frac{6.1}{\sqrt{n}} nV/\sqrt{Hz}$
5. NOISE CURRENT AT INPUT INCREASES  $\sqrt{n}$  TIMES
6. IF  $n = 5$ , GAIN = 1000, BANDWIDTH = 110kHz, RMS NOISE, DC TO 1MHz =  $\frac{2.1\mu V}{\sqrt{5}} = 1.0\mu V$

LT1169 • TA06

**RELATED PARTS**

PART NUMBER	DESCRIPTION	COMMENTS
LT1113	Lowest Noise Dual JFET Op Amp	4.5nV/ $\sqrt{Hz}$ Voltage Noise
LT1462	Micro Power Dual JFET Op Amp	3.0pA $I_B$ , 45 $\mu A$ $I_{SUPPLY}$
LT1464	Low Power Dual JFET Op Amp	3.0pA (Max) Input Bias Current