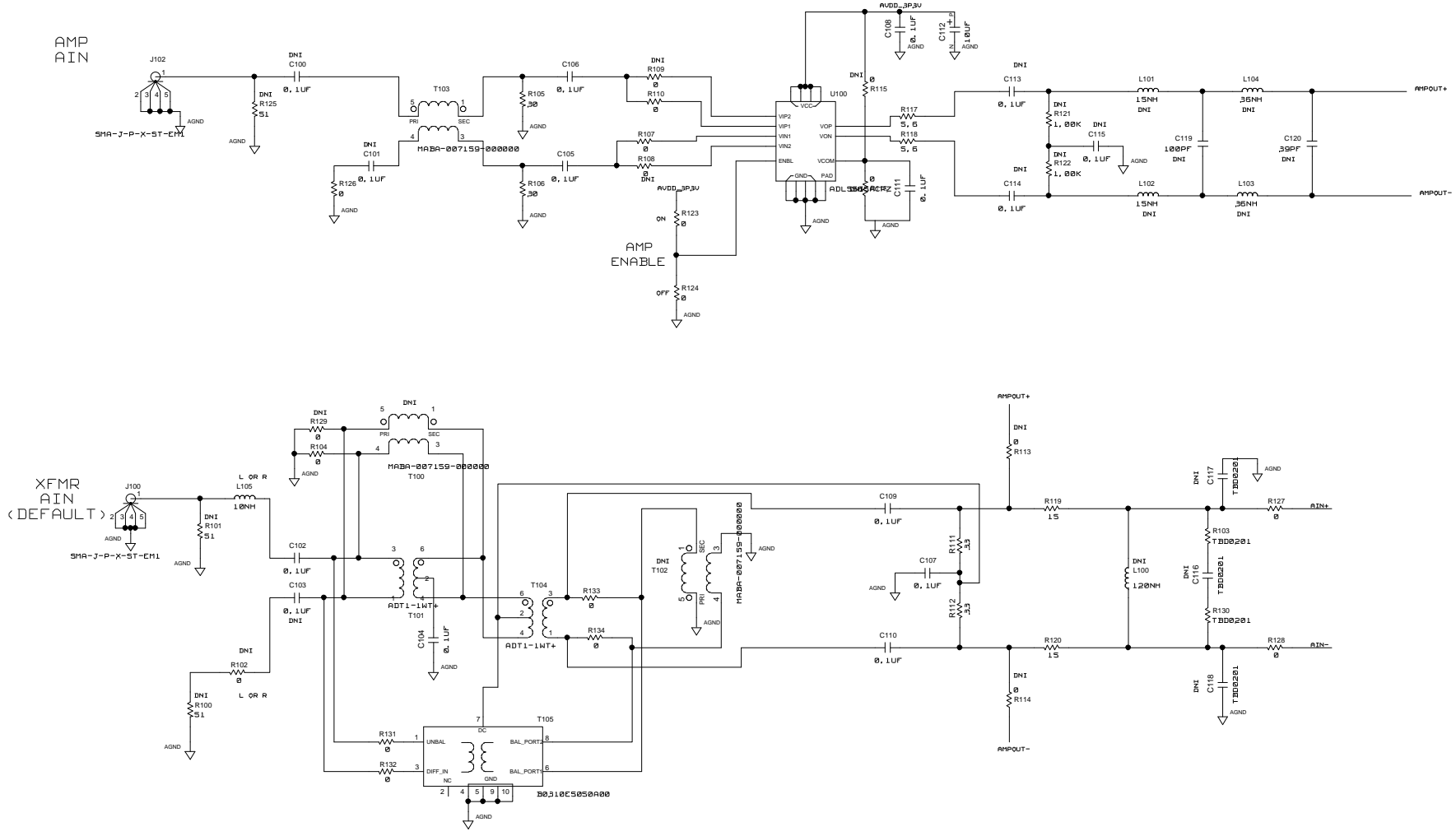


ANALOG INPUT CIRCUITRY

REVISIONS			
REV	DESCRIPTION	DATE	APPROVED

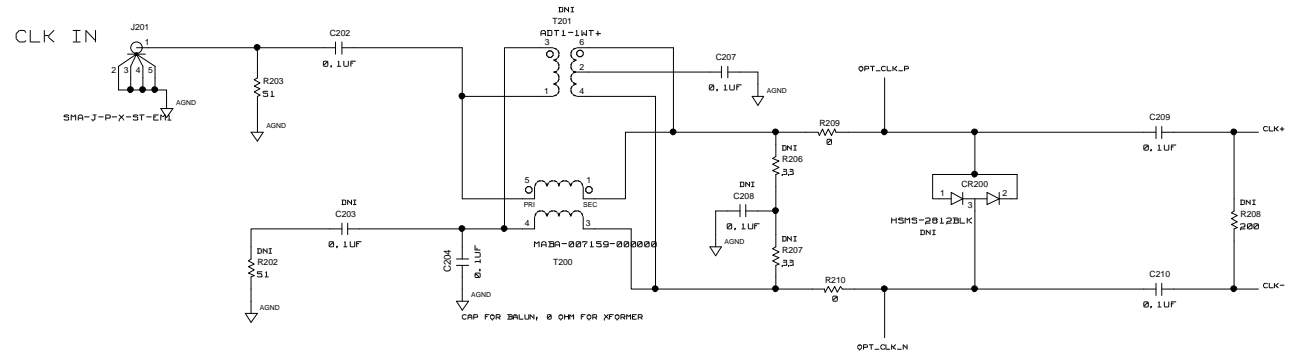


		SCHEMATIC	
- AD9457 FMC MODULE BD.			
DESIGN VIEW	-	DRAWING NO.	9467FMC01
PTD ENGINEER	-	REV	C
SIZE	D	SCALE	NONE
		SHEET	1 OF 6

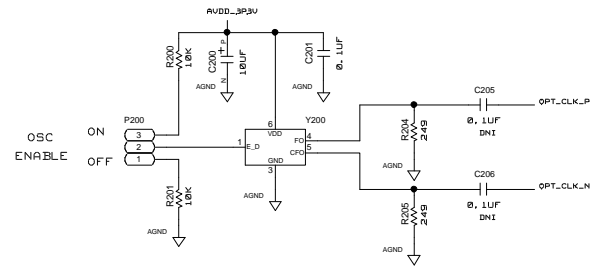
REVISIONS			
REV	DESCRIPTION	DATE	APPROVED

CLOCK CIRCUITRY

< DEFAULT >



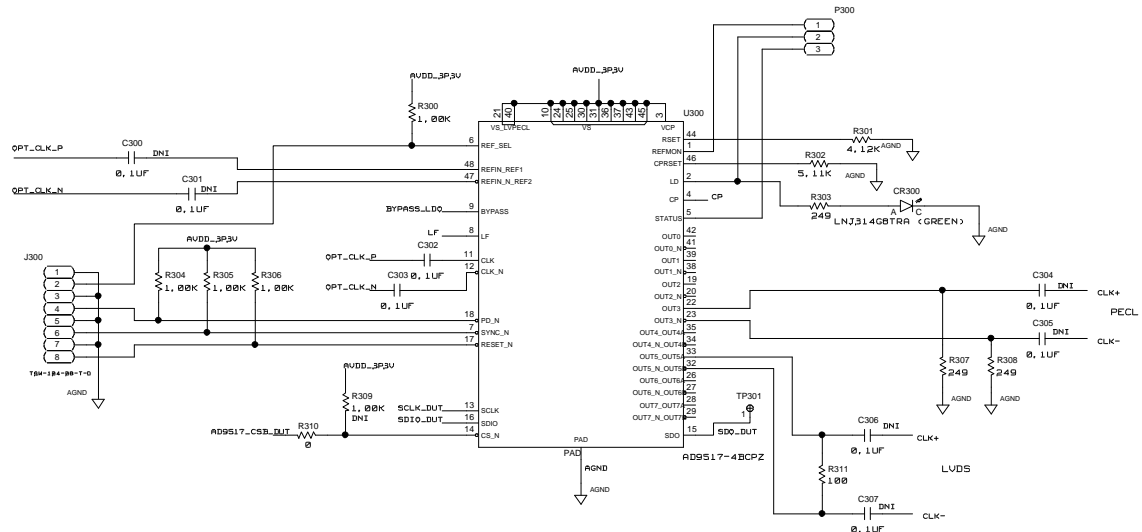
OPTIONAL OSCILLATOR



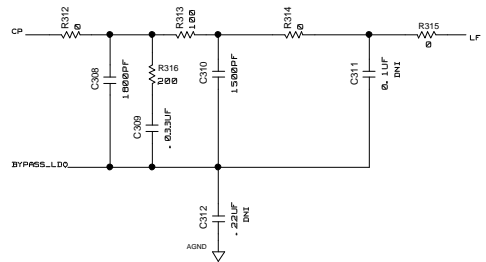
		SCHEMATIC	
		- AD9457 FMC MODULE BD.	
DESIGN VIEW	-	DRAWING NO.	9467FMC01
PTD ENGINEER	-	REV	C
SIZE	D	SCALE	NONE
		SHEET	2 OF 6

REVISIONS			
REV	DESCRIPTION	DATE	APPROVED

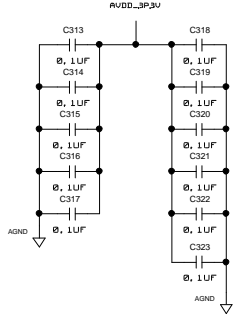
OPTIONAL CLOCK PATH CIRCUIT



CHARGE PUMP FILTER



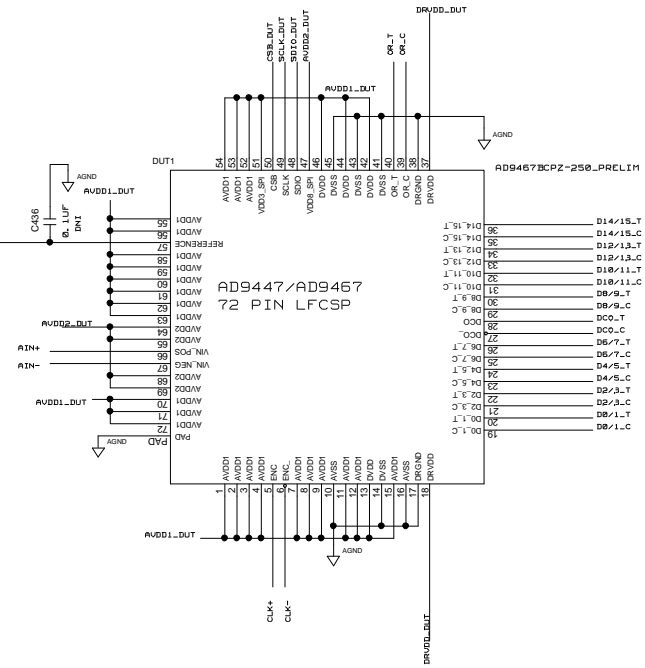
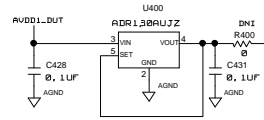
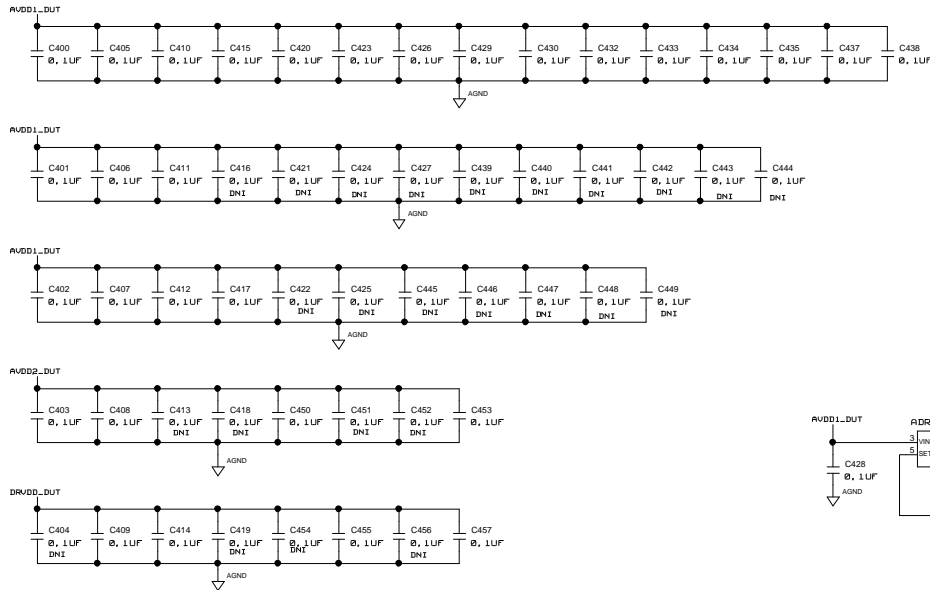
DECOUPLING



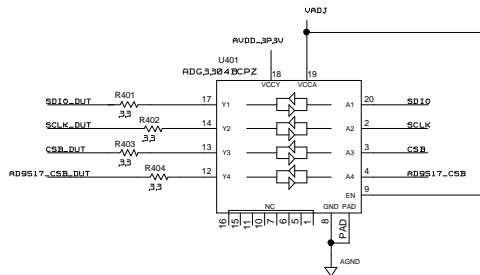
	SCHEMATIC		
	- AD9457 FMC MODULE BD.		
	DESIGN VIEW	DRAWING NO.	REV
	PTD ENGINEER	9467FMC01	C
SIZE	SCALE	SHEET 3 OF 6	
	NONE		

REVISIONS			
REV	DESCRIPTION	DATE	APPROVED

DUT CIRCUITRY

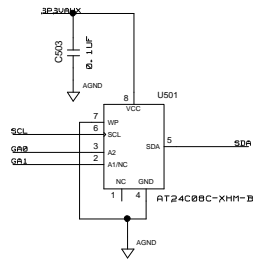
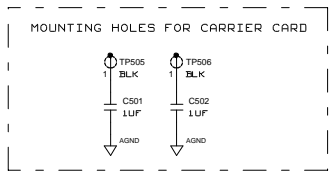
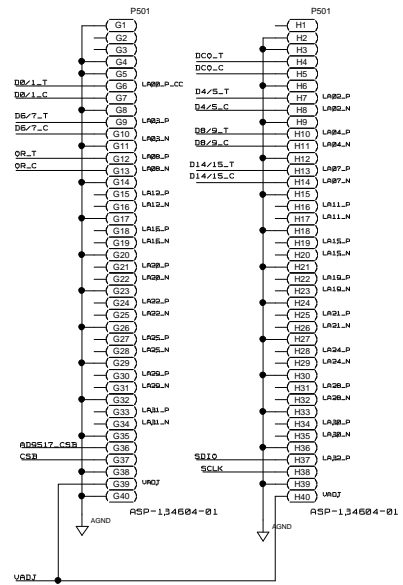
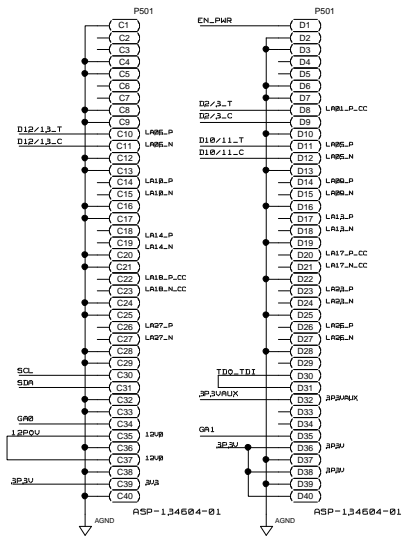


SPI CIRCUITRY



ANALOG DEVICES		SCHEMATIC	
- AD9457 FMC MODULE BD.		DRAWING NO.	REV
DESIGN VIEW		9467FMC01	C
- PTD ENGINEER		SIZE	SCALE
-		D	NONE
-		SHEET 4	OF 6

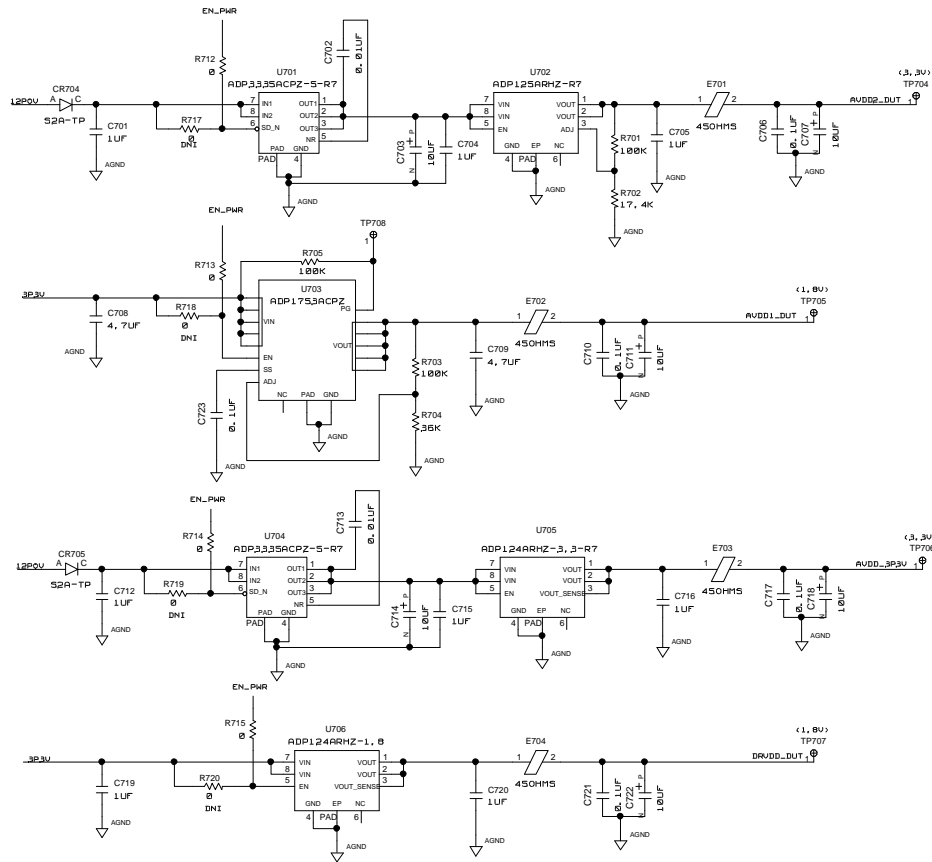
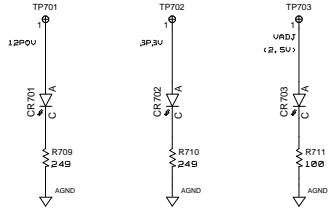
REVISIONS			
REV	DESCRIPTION	DATE	APPROVED



		SCHEMATIC	
		- AD9457 FMC MODULE BD.	
DESIGN VIEW	-	DRAWING NO.	9467FMC01
PTD ENGINEER	-	REV	C
SIZE	D	SCALE	NONE
		SHEET	5 OF 6

POWER SUPPLY CIRCUITRY

REVISIONS			
REV	DESCRIPTION	DATE	APPROVED



	SCHEMATIC		
	- ADD9457 FMC MODULE BD.		
	DESIGN VIEW	DRAWING NO.	REV
	PTD ENGINEER	9467FMC01	C
SIZE	SCALE	SHEET	OF
D	NONE	6	6