

LMP92064 Precision Low-Side, 125-kSps Simultaneous Sampling, Current Sensor and Voltage Monitor With SPI

1 Features

- Two Simultaneous Sampling 12-Bit ADCs
 - Conversion Rate: 125 kSps (Minimum)
- 12-Bit Current Sense Channel
 - Input-referred Offset: $\pm 15 \mu\text{V}$
 - Common-mode Voltage Range: -0.2 V to 2 V
 - Maximum Differential Input Voltage: 75 mV
 - Fixed Gain: 25 V/V
 - Gain Error: $\pm 0.75\%$ (Maximum)
 - Bandwidth (-3dB): 70 kHz
 - DC PSRR: 100 dB
 - DC CMRR: 110 dB
- 12-Bit Voltage Channel
 - INL: $\pm 1 \text{ LSB}$
 - Offset Error: $\pm 2 \text{ mV}$ (Maximum)
 - Gain Error: $\pm 0.75\%$ (Maximum)
 - Maximum Input Voltage: 2.048 V
 - Bandwidth: 100 kHz
- Internal Reference
- SPI Frequency: Up to 20 MHz
- Temperature Range: -40°C to 105°C
- 16-Pin WSON Package

2 Applications

- Enterprise Servers
- Telecommunications
- Power Management

3 Description

The LMP92064 is a precision low-side digital current sensor and voltage monitor with a digital SPI interface. This analog frontend (AFE) includes a precision current sense amplifier to measure a load current across a shunt resistor and a buffered voltage channel to measure the voltage supply of the load. The current and voltage channels are sampled simultaneously by independent 125-kSps, 12-bit ADC converters, allowing for very accurate power calculations in unidirectional sensing applications.

The LMP92064 includes an internal 2.048-V reference for the ADCs, eliminating the need of an external reference and reducing component count and board space.

A host can communicate with the LMP92064 using a four-wire SPI interface running at speeds of up to 20 MHz . The fast SPI interface lets the user take advantage of the higher bandwidth ADC to capture fast varying signals. The four-wire interface with dedicated unidirectional input and output lines also allows for an easy interface to digital isolators in applications where isolation is required.

The LMP92064 operates from a single 4.5-V to 5.5-V supply and includes a separate digital supply pin. The LMP92064 is specified over a temperature range of -40°C to 105°C , and is available in a 5-mm x 4-mm 16-Pin WSON package.

Device Information⁽¹⁾

PART NUMBER	PACKAGE	BODY SIZE (NOM)
LMP92064	WSON (16)	5.00 mm x 4.00 mm

(1) For all available packages, see the orderable addendum at the end of the datasheet.

Simplified Schematic

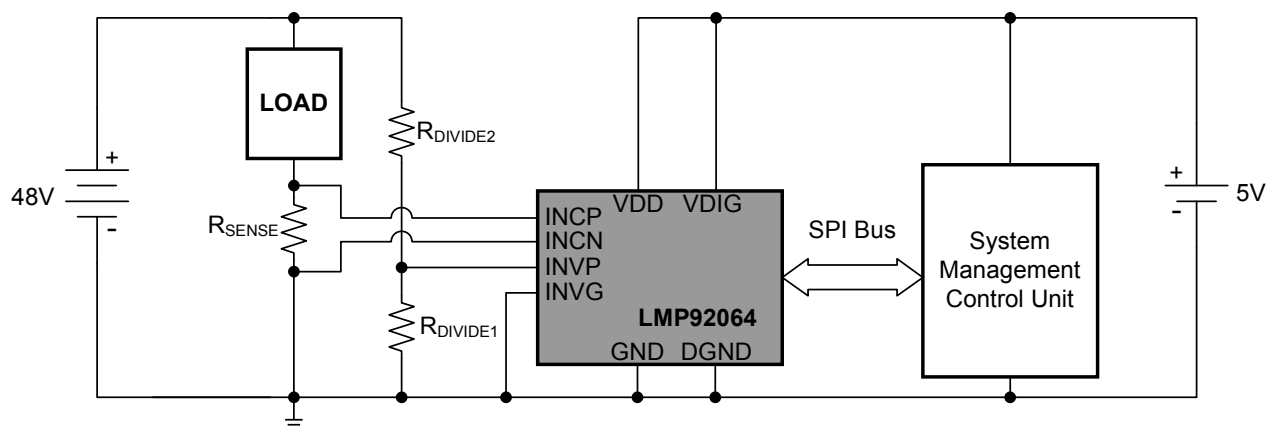


Table of Contents

1 Features	1	7.3 Feature Description	10
2 Applications	1	7.4 Device Functional Modes	11
3 Description	1	7.5 Register Maps	13
4 Revision History	2	8 Application and Implementation	17
5 Pin Configuration and Functions	3	8.1 Application Information	17
6 Specifications	4	8.2 Typical Application	17
6.1 Absolute Maximum Ratings	4	9 Power Supply Recommendations	21
6.2 ESD Ratings	4	10 Layout	21
6.3 Recommended Operating Conditions	4	10.1 Layout Guidelines	21
6.4 Thermal Information	4	10.2 Layout Example	22
6.5 Electrical Characteristics	5	11 Device and Documentation Support	23
6.6 Timing Requirements	6	11.1 Trademarks	23
6.7 Typical Characteristics	7	11.2 Electrostatic Discharge Caution	23
7 Detailed Description	10	11.3 Glossary	23
7.1 Overview	10	12 Mechanical, Packaging, and Orderable Information	23
7.2 Functional Block Diagram	10		

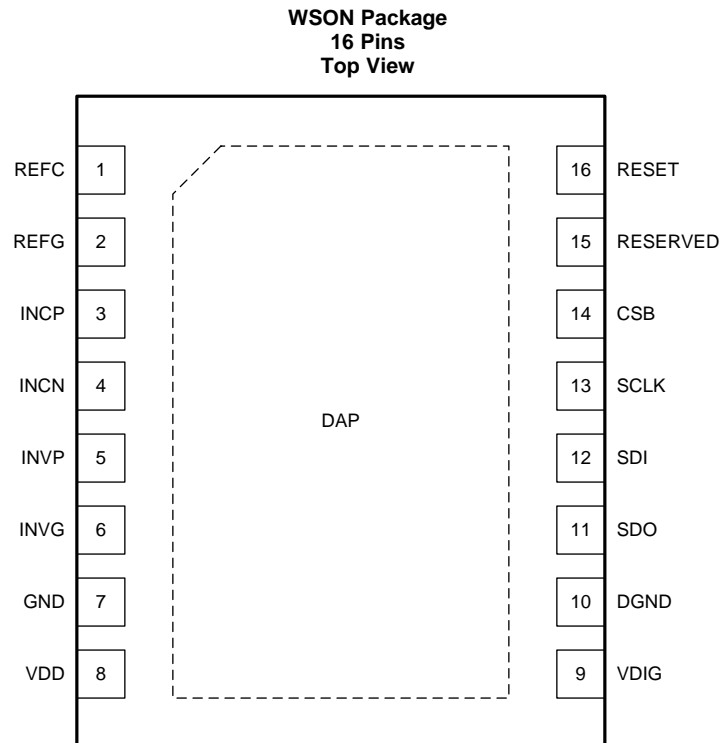
4 Revision History

Changes from Original (June 2013) to Revision A

Page

- Added *Pin Configuration and Functions* section, *ESD Ratings* table, *Feature Description* section, *Device Functional Modes*, *Application and Implementation* section, *Power Supply Recommendations* section, *Layout* section, *Device and Documentation Support* section, and *Mechanical, Packaging, and Orderable Information* section **1**

5 Pin Configuration and Functions



Pin Functions

PIN		I/O ⁽¹⁾	DESCRIPTION
NAME	NO.		
REFC	1	—	Internal reference bypass capacitor pin
REFG	2	G	Internal reference ground
INCP	3	I	Positive current channel input
INCN	4	I	Negative current channel input
INVP	5	I	Positive voltage channel input
INVG	6	G	Ground reference for the negative voltage channel input
GND	7	G	Analog ground
VDD	8	P	Analog power supply
VDIG	9	P	Digital power supply
DGND	10	G	Digital ground
SDO	11	O	SPI Bus push-pull serial data digital output
SDI	12	I	SPI Bus serial data digital input
SCLK	13	I	SPI Bus clock digital input
CSB	14	I	SPI Bus chip select bar digital input
RESERVED	15	—	Reserved (Do not connect)
RESET	16	I	Reset (high-active)
DAP	n/a	—	No connection (Do not connect)

(1) G = Ground, I = Input, O = Output, P = Power

6 Specifications

6.1 Absolute Maximum Ratings⁽¹⁾

over operating free-air temperature range (unless otherwise noted)⁽²⁾

	MIN	MAX	UNIT
Analog Supply Voltage (VDD)	-0.3	6.0	V
Digital Supply Voltage (VDIG)	VDD-0.3	VDD+0.3	
Voltage at Input Pins ⁽³⁾	-0.3	VDD+0.3	V
Junction Temperature		150	°C
Mounting temperature	Infrared or convection (20 sec)		260 °C
Storage temperature, T _{stg}	-65	150	°C

- (1) All voltages are measured with respect to GND = DGND = 0 V, unless otherwise specified.
- (2) Stresses beyond those listed under *Absolute Maximum Ratings* may cause permanent damage to the device. These are stress ratings only, which do not imply functional operation of the device at these or any other conditions beyond those indicated under *Recommended Operating Conditions*. Exposure to absolute-maximum-rated conditions for extended periods may affect device reliability.
- (3) When the input voltage (VIN), at any pin exceeds power supplies (VIN < GND or VIN > VDD), the current at that pin must not exceed 5 mA, and the voltage (VIN) at that pin must not exceed 6.0 V. See *Pin Description* for additional details of input circuitry.

6.2 ESD Ratings

	VALUE	UNIT
V _(ESD) Electrostatic discharge	Human-body model (HBM), per ANSI/ESDA/JEDEC JS-001 ⁽¹⁾	±2000
	Charged-device model (CDM), per JEDEC specification JESD22-C101 ⁽²⁾	±1000
		V

- (1) JEDEC document JEP155 states that 500-V HBM allows safe manufacturing with a standard ESD control process.
- (2) JEDEC document JEP157 states that 250-V CDM allows safe manufacturing with a standard ESD control process.

6.3 Recommended Operating Conditions⁽¹⁾

over operating free-air temperature range (unless otherwise noted)

	MIN	MAX	UNIT
Analog Supply Voltage (VDD)	4.5	5.5	V
Digital Supply Voltage (VDIG)	VDD	VDD	V
Temperature Range	-40	105	°C

- (1) All voltages are measured with respect to GND = DGND = 0 V, unless otherwise specified.

6.4 Thermal Information

Over operating free-air temperature range (unless otherwise noted)

THERMAL METRIC ⁽¹⁾	LMP92064	UNIT
	NHR	
	16 PINS	
R _{θJA} Package thermal resistance ⁽²⁾	44	°C/W

- (1) For more information about traditional and new thermal metrics, see the *IC Package Thermal Metrics* application report, [SPRA953](#).
- (2) The package thermal impedance is calculated in accordance with JESD 51-7. The maximum power dissipation must be de-rated at elevated temperatures and is dictated by T_{J(MAX)}, θ_{JA}, and the ambient temperature, T_A. The maximum allowable power dissipation P_{DMAX} = (T_{J(MAX)} - T_A) / θ_{JA} or the number given in *Absolute Maximum Ratings*, whichever is lower.

6.5 Electrical Characteristics

Typical specifications are at 25°C. All specifications are at $4.5\text{ V} \leq \text{VDD} \leq 5.5\text{ V}$, $\text{VDIG} = \text{VDD}$ and $-0.2\text{ V} \leq \text{VCM} \leq 2\text{ V}$, unless otherwise specified.

PARAMETER		TEST CONDITIONS	MIN	TYP	MAX	UNIT
CURRENT SENSE INPUT CHANNEL						
V_{OS}	Input-referred Offset Voltage			±15		µV
		Temperature extremes	-60		60	
TCV_{OS}	Input-referred Offset Voltage Drift			±280		nV/°C
	Long-term Stability			0.3		µV/mo
	Resolution			12 20		Bits µV
INL	Integral Non-Linearity Error			±1% ±0.025%		LSB
DNL	Differential Non-Linearity Error			±0.5		LSB
DC CMRR	Common-Mode Rejection Ratio	$-0.2\text{ V} \leq \text{VCM} \leq 2\text{ V}$		110		dB
DC PSRR	Power Supply Rejection Ratio	$4.5\text{ V} \leq \text{VDD} \leq 5.5\text{ V}$		100		dB
CMVR	Common-Mode Voltage Range	Low VCM		-0.2		V
		High VCM		2		
$V_{DIFF(MAX)}$	Maximum Differential Input Voltage Range			75		mV
A_V	Current Shunt Amplifier Gain			25		V/V
	Current Sense Channel Gain			50		kCode/V
GE	Gain Error (CSA, VREF and ADC)	Temperature extremes	-0.75%		0.75 %	
GD	Gain Drift			±25		ppm/°C
RIN	Input Impedance			100		GΩ
BW	-3dB Bandwidth			70		kHz
VOLTAGE INPUT CHANNEL						
	Offset Error (Buffer and ADC)	Temperature extremes	-2		2	mV
	Resolution			12		Bits
INL	Integral Non-Linearity Error			±1% ±0.025%		LSB
DC PSRR	Power Supply Rejection Ratio			70		dB
V_{CHVP}	Full-Scale Input Voltage			2.048		V
A_V	Buffer Amplifier Gain			1		V/V
	Voltage Sense Channel Gain			2		kCode/V
GE	Gain Error (Buffer, VREF and ADC)	Temperature extremes	-0.75%		0.75 %	
RIN	Input Impedance			100		GΩ
BW	Bandwidth ⁽¹⁾			100		kHz
DIGITAL INPUT/OUTPUT CHARACTERISTICS						
V_{IH}	Logical "1" Input Voltage	Temperature extreme	0.7*VDIG			V
V_{IL}	Logical "0" Input Voltage	Temperature extreme		0.3*VDIG		V
V_{OH}	Logical "1" Output Voltage	$I_{SOURCE} = 300\text{ µA}$				V
		Temperature extreme	VDIG -0.15			
V_{OL}	Logical "0" Output Voltage	$I_{SINK} = 300\text{ µA}$				V
		Temperature extreme			DGND +0.15	
SUPPLY CHARACTERISTICS						
I_{VDD}	Analog Supply Current			11		mA
I_{VDIG}	Digital Supply Current			2		mA

(1) No analog filter; limited by sampling rate.

6.6 Timing Requirements

Typical specifications are at 25°C. All specifications are at 4.5 V ≤ VDD ≤ 5.5 V, VDIG = VDD and a 20 pF capacitive load on SDO, unless otherwise specified.

		MIN	MAX	UNIT
t_{DS}	SDI to SCLK rising edge setup time	10		ns
t_{DH}	SCLK rising edge to SDI hold time	10		ns
f_{CLK}	Frequency of SCLK	100		Hz
			20	MHz
t_{HIGH}	High width of SPI clock	25		ns
t_{LOW}	Low width of SPI clock	25		ns
t_S	CSB falling edge to SCLK rising edge setup time	10		ns
t_C	SCLK rising edge to CSB rising edge hold time	30		ns
t_{DV}	SCLK falling edge to valid SDO readback data		20	ns
t_{RST}	Reset pin pulse width	3.5		ns
t_{CONV}	Conversion rate of all channels	125		kSps

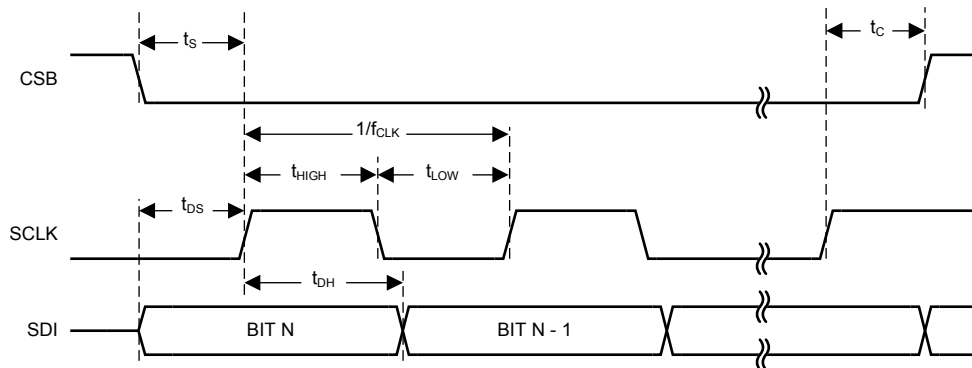


Figure 1. Serial Control Port Timing – Write

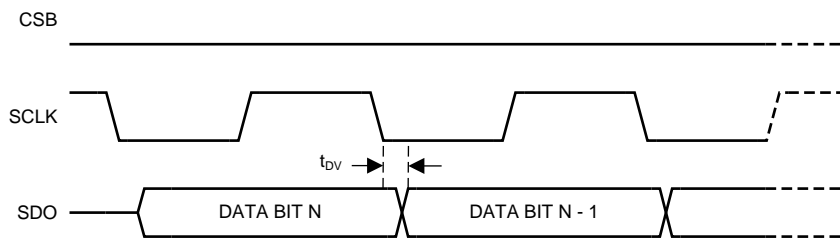


Figure 2. Serial Control Port Timing – Read

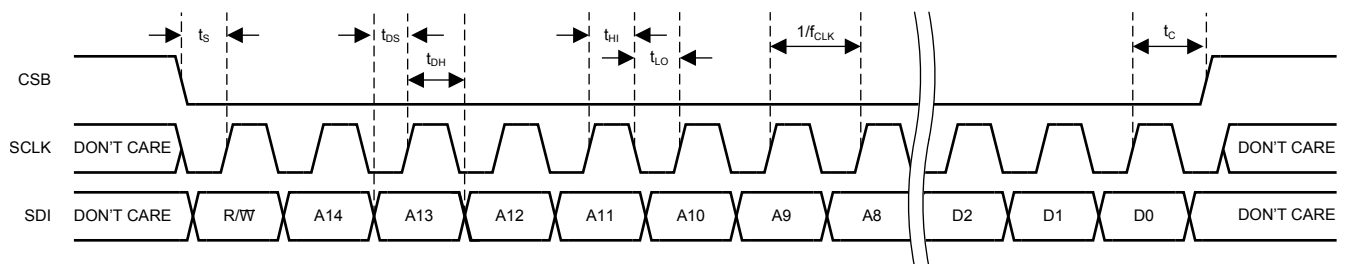


Figure 3. Serial Control Port Write – MSB First, 16-Bit Instruction, Timing Measurements

6.7 Typical Characteristics

All plots at $T_A = 25^\circ\text{C}$, $V_{DD} = 5.0\text{ V}$, $V_{DIG} = 5.0\text{ V}$, $V_{CM} = 0\text{ V}$ and $GND = DGND = 0\text{ V}$, unless otherwise specified.

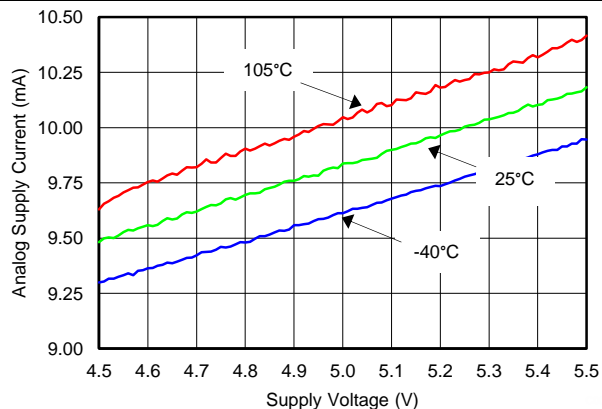


Figure 4. Analog Supply Current vs Supply Voltage

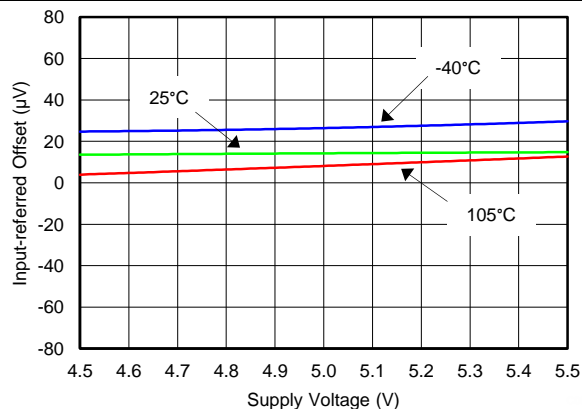


Figure 5. Input-Referred Offset vs Supply Voltage (Current Channel)

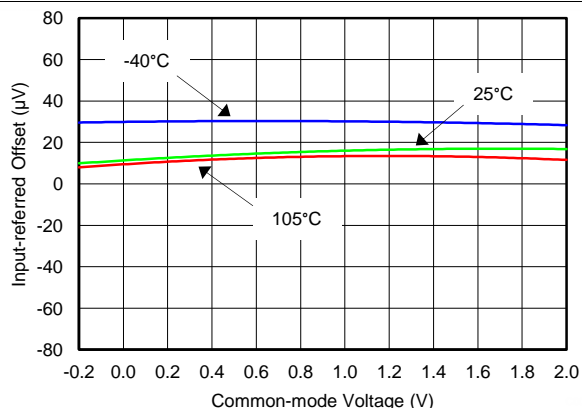


Figure 6. Input-Referred Offset vs Common-Mode Voltage (Current Channel)

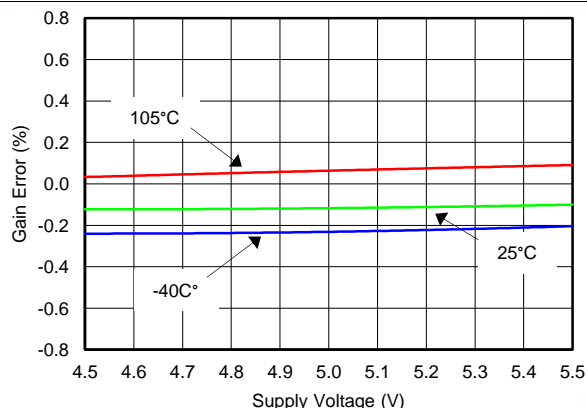


Figure 7. Gain Error vs Supply Voltage (Current Channel)

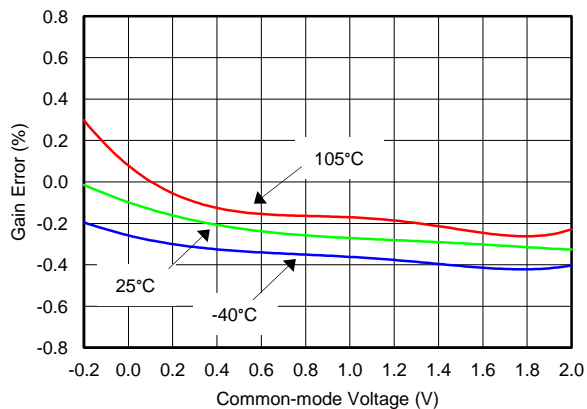


Figure 8. Gain Error vs Common-Mode Voltage (Current Channel)

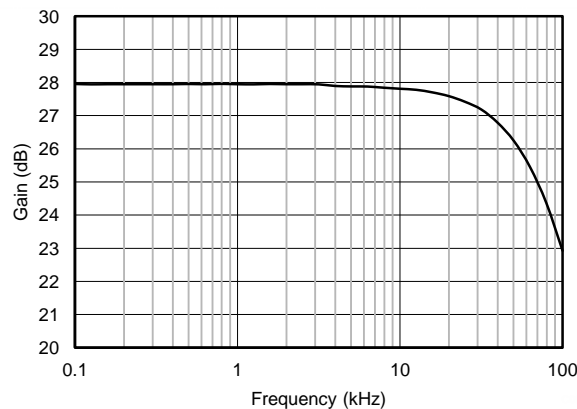


Figure 9. Gain vs Frequency (Current Channel)

Typical Characteristics (continued)

All plots at $T_A = 25^\circ\text{C}$, $V_{DD} = 5.0\text{ V}$, $V_{DIG} = 5.0\text{ V}$, $V_{CM} = 0\text{ V}$ and $GND = DGND = 0\text{ V}$, unless otherwise specified.

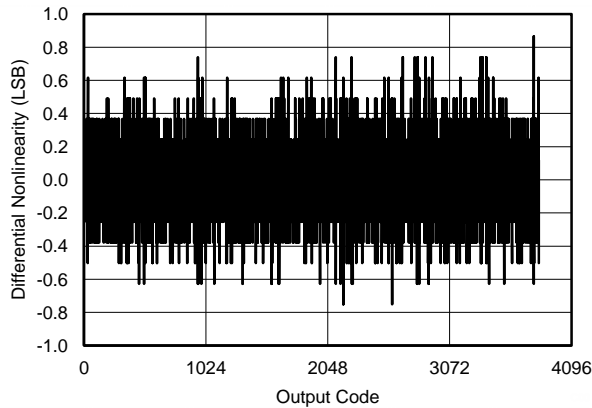


Figure 10. Differential Nonlinearity (Current Channel)

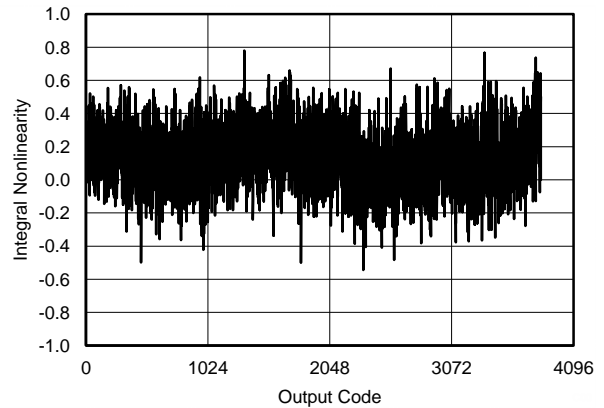


Figure 11. Integral Nonlinearity (Current Channel)

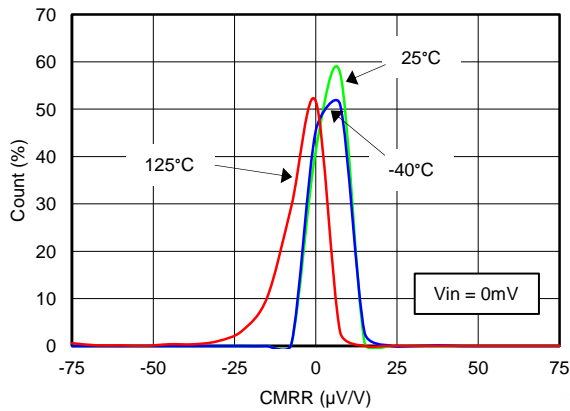


Figure 12. Common-Mode Rejection Ratio Distribution (Current Channel)

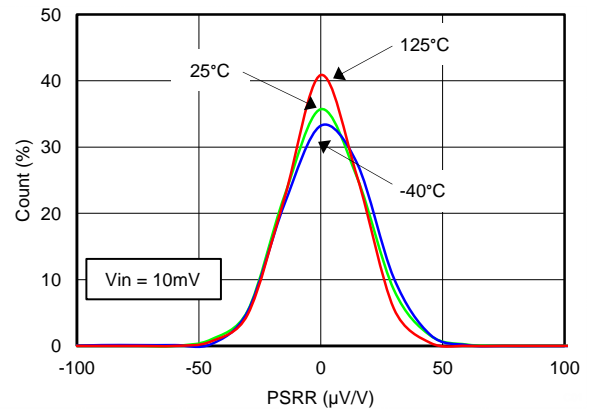


Figure 13. Power Supply Rejection Ratio Distribution $V_{cm} = -0.2\text{ V}$ (Current Channel)

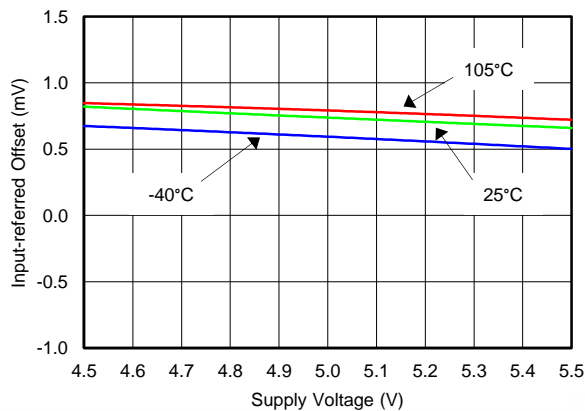


Figure 14. Input-Referred Offset V_{supply} Voltage (Voltage Channel)

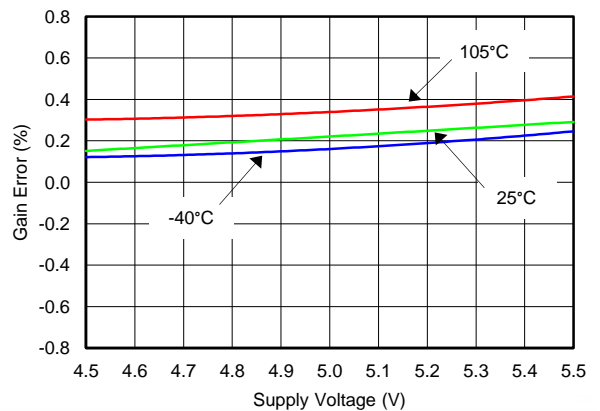


Figure 15. Gain Error vs Supply Voltage (Voltage Channel)

Typical Characteristics (continued)

All plots at $T_A = 25^\circ\text{C}$, $V_{DD} = 5.0\text{ V}$, $V_{DIG} = 5.0\text{ V}$, $V_{CM} = 0\text{ V}$ and $GND = DGND = 0\text{ V}$, unless otherwise specified.

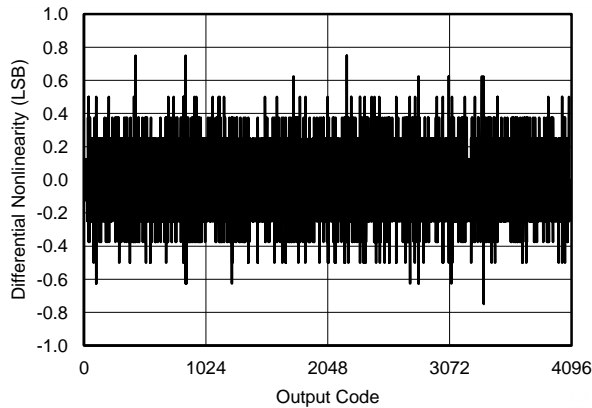


Figure 16. Differential Nonlinearity (Voltage Channel)

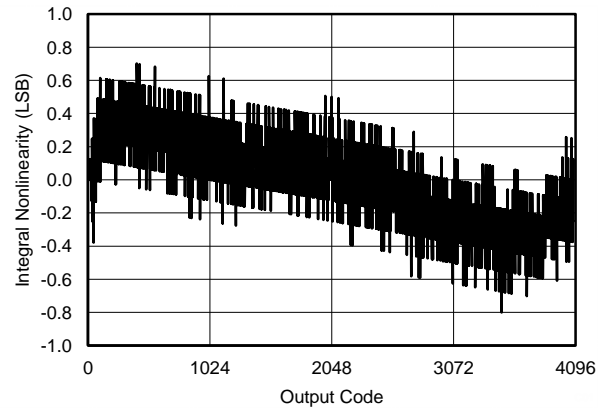


Figure 17. Integral Nonlinearity (Voltage Channel)

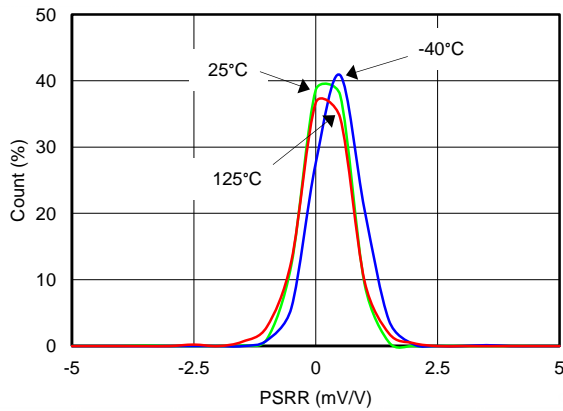


Figure 18. Power Supply Rejection Ratio Distribution (Voltage Channel)

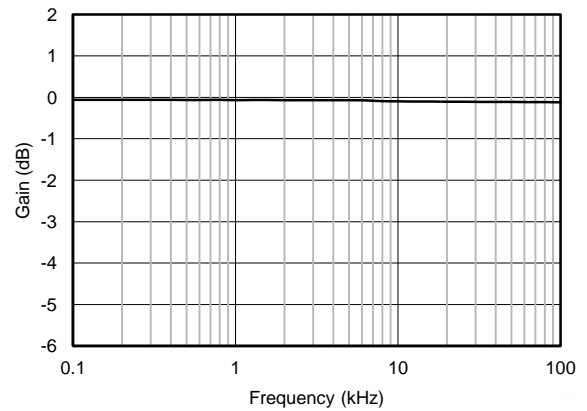


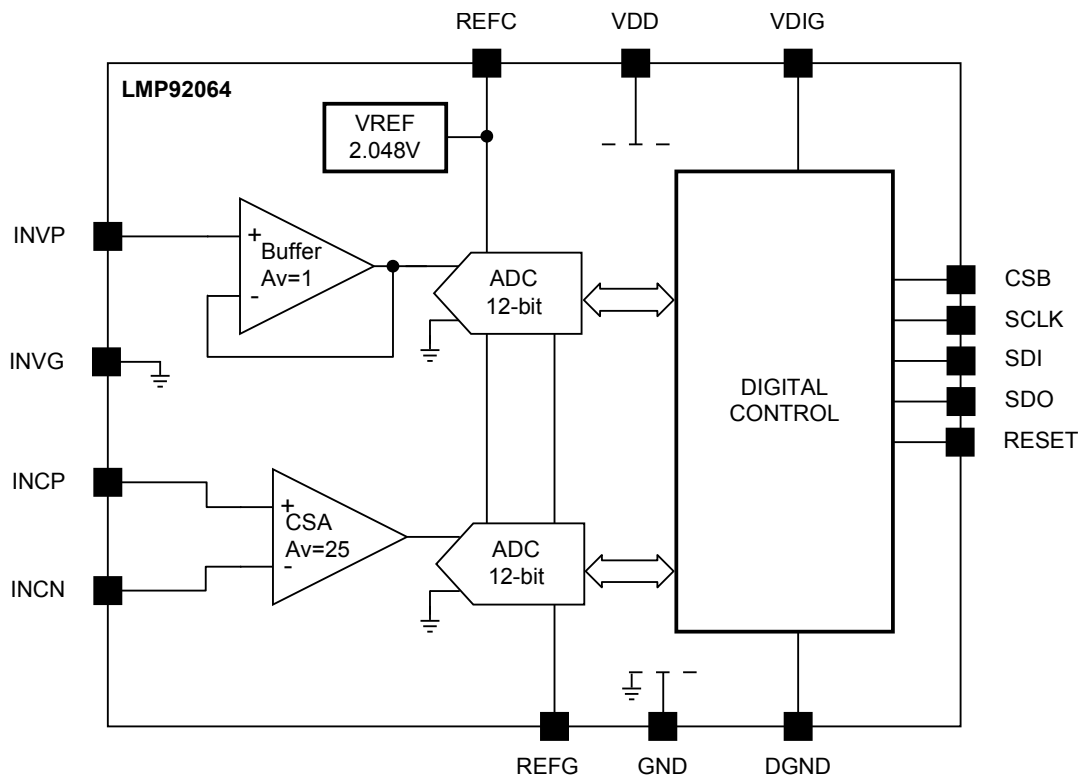
Figure 19. Gain vs Frequency (Voltage Channel)

7 Detailed Description

7.1 Overview

The LMP92064 is a precision low-side digital current sensor and voltage monitor with a digital SPI interface. The analog front-end includes a precision current sense amplifier to measure a load current across a shunt resistor and a buffered voltage channel to measure the voltage supply of the load.

7.2 Functional Block Diagram



7.3 Feature Description

7.3.1 Current Sense Input Channel

The current sensing channel of the LMP92064 has a high impedance differential amplifier followed by a 12-bit analog-to-digital converter. The binary code result of a conversion is stored as a right-justified 16-bit number as shown in [Table 1](#), where the 4 most significant bits are always 0. Due to an offset auto-calibration feature of the current sense channel path, the top 256 codes are clipped at code 3840, denoted by the trailing zeros found in the equivalent binary code of the maximum positive input voltage.

The output data of the current sense channel is accessible on registers [0x0203](#) and [0x0202](#).

Table 1. Ideal Current Channel Input Voltages and Output Codes

DESCRIPTION	ANALOG VALUE	DIGITAL OUTPUT	
		BINARY CODE [B15:B0]	HEX CODE
Full scale range	$V_{FS} = 81.92 \text{ mV}$		
Least significant bit (LSB)	$V_{FS} / 4096$		
Maximum Positive Input Voltage	$V_{FS} - 256 \text{ LSB}$	0000 1111 0000 0000	0x0F00
Zero	0 V	0000 0000 0000 0000	0x0000

7.3.2 Current Sense Input Channel Common-Mode and Differential Voltage Range (Dynamic Range Considerations)

The input voltage should be in the range of -0.2 V to 2 V . The input can withstand voltage up to $V_{DD} + 0.3\text{ V}$ absolute maximum but the operational range is limited to 2 V . Operation below -0.2 V or above 2 V on either input pin will introduce severe gain errors and nonlinearity.

The maximum differential voltage (defined as the voltage difference between INCP and INCN) for which the part is designed to work is 75 mV . Larger differential or common mode input voltages will not damage the part (as long as the input pins remain between $GND - 0.3\text{ V}$ and $V_{DD} + 0.3\text{ V}$), however, exposure for extended periods may affect device reliability. The ADC output code will not roll over and will clip at minimum or maximum scale when the maximum differential voltage is exceeded.

7.3.3 Voltage Sense Input Channel

The voltage sensing channel of the LMP92064 has a high impedance buffer amplifier followed by a 12-bit analog-to-digital converter. The binary code result of a conversion is also stored as a right-justified 16-bit number as shown in [Table 2](#), where the 4 most significant bits are always 0.

The output data of the voltage sense channel is accessible on registers [0x0201](#) and [0x0200](#).

Table 2. Ideal Voltage Channel Input Voltages and Output Codes

DESCRIPTION	ANALOG VALUE	DIGITAL OUTPUT	
		BINARY CODE [B15:B0]	HEX CODE
Full scale range	$V_{FS} = 2.048\text{ V}$		
Least significant bit (LSB)	$V_{FS} / 4096$		
Maximum Positive Input Voltage	$V_{FS} - 1\text{ LSB}$	0000 1111 1111 1111	0x0FFF
Zero Code Voltage	0 V	0000 0000 0000 0000	0x0000

7.3.4 Reference

The LMP92064 includes an internal 2.048-V band-gap reference for the ADCs, which eliminates the need of an external reference and reduces component count and board space. The REFC pin is provided to allow bypassing this internal reference for low noise operation. A $1\text{-}\mu\text{F}$ ceramic decoupling capacitor is required between the REFC and REFG pins of the converter. The capacitor should be placed as close as possible to the pins of the device.

7.3.5 Reset

There are two methods to reset the LMP92064. A soft reset is done by setting bit7=1 in the [CONFIG_A](#) register. In a soft reset, the SPI state machine and the contents of registers [0x0000](#) and [0x0001](#) are unaffected.

A hardware reset is done by connecting the RESET pin of the LMP92064 to VDIG. If the pin is driven by a switch or a GPIO, TI recommends adding an external RC filter to prevent reset glitches.

7.3.6 Device Power-Up Sequence

The sources providing power to the analog and digital supply pins of the LMP92064, V_{DD} and $VDIG$, must ramp up at the same time to have a proper power-on reset (POR) event. The easiest way to achieve it is to tie V_{DD} and $VDIG$ to the same power source using a star configuration.

7.4 Device Functional Modes

7.4.1 ADC Operation

The LMP92064 includes two 12-bit ADCs that are continuously running in the background. The device is configured, and data is read, using a four-wire SPI interface: CSB, SCLK, SDO and SDI. The device outputs its data on SDO, and the data for both channels is synchronized such that all data read would be from the same instant in time. New conversion data for both channels will only be made available after all registers are read in descending sequential order (addresses [0x0203](#)-[0x0200](#)). All registers must be read otherwise new conversion data will not be available. Three different output data formats are available as detailed in [Figure 20](#), [Figure 21](#) and [Figure 22](#).

Device Functional Modes (continued)

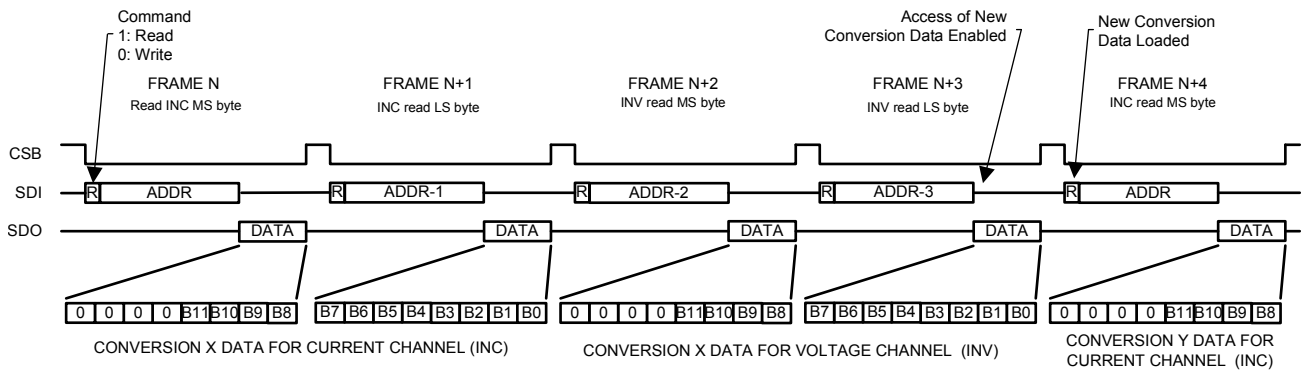


Figure 20. Timing Diagram With Byte Read Frames

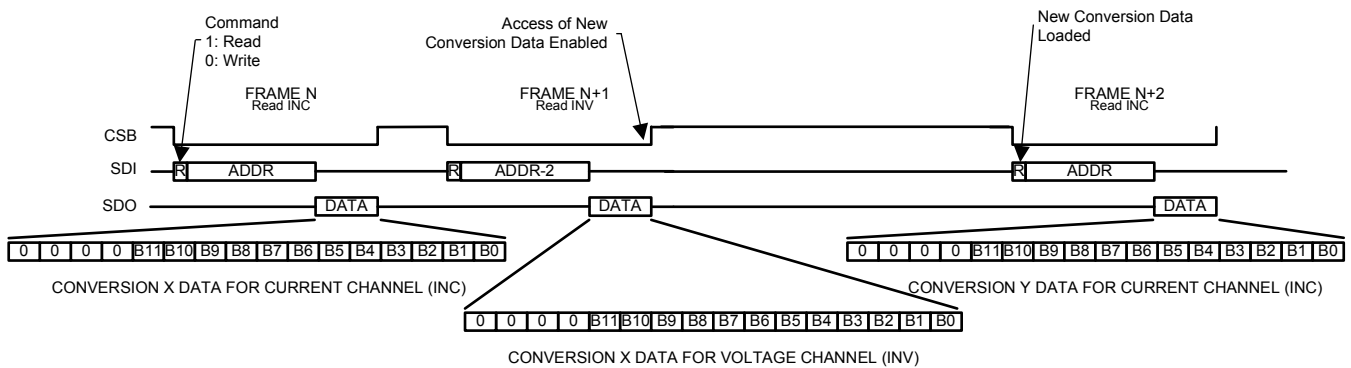


Figure 21. Timing Diagram With Word Read Frames

The register address to read can automatically decrement if the CSB line is kept low longer. For example, to read all the conversion data, keep the CSB line low for 48 SPI clock cycles (16 clocks for command/address, 8 clocks for MSB of current channel, 8 clocks for LSB of current channel, 8 clocks for MSB of voltage channel and 8 clocks for LSB of voltage channel). The read command should start from address 0x0203.

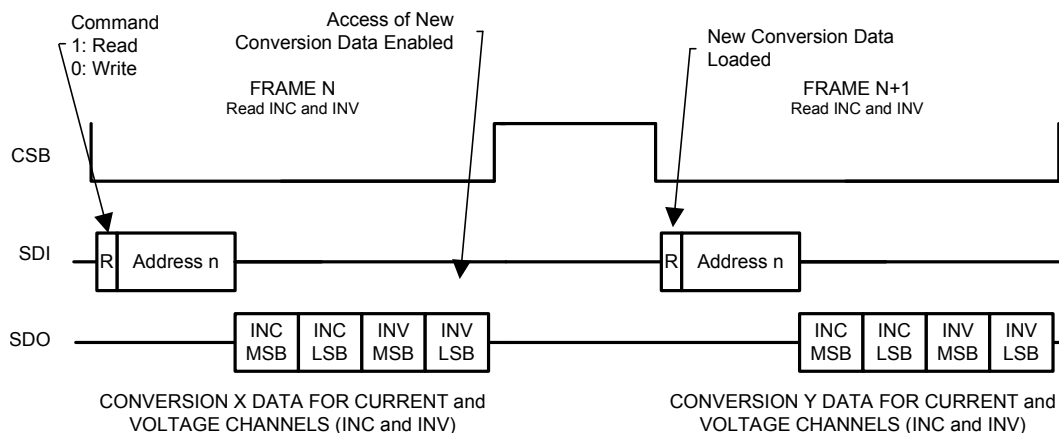


Figure 22. Timing Diagram With All Data Read Frames

7.5 Register Maps

1. If written to, Reserved bits must be written to 0, unless otherwise indicated.
2. Read back value of Reserved bits and registers is unspecified and should be discarded.
3. Recommended values must be programmed and forbidden values must not be programmed where they are indicated in order to avoid unexpected results.
4. If written to, registers indicated as Reserved must have the indicated default value as shown in the register map. Any other value can cause unexpected results.

Table 3. Register Map

REGISTER NAME	REGISTER DESCRIPTION	ADDRESS	ACCESS	DEFAULT
CONFIG_A	Interface Configuration A	0x0000	R/W	0x18
CONFIG_B	Interface Configuration B	0x0001	R/W	0x00
Reserved	Reserved	0x0002	R/W	0x00
CHIP_TYPE	Chip Type	0x0003	RO	0x07
CHIP_ID	Chip ID	0x0004 0x0005	RO	0x00 0x04
CHIP_REV	Chip Revision	0x0006	RO	0x01
MFR_ID	Manufacturer ID	0x000C 0x000D	RO	0x51 0x04
REG_UPDATE	Register Update	0x000F	R/W	0x00
CONFIG_REG	LMP92064 Specific Configuration Register	0x0100	R/W	0x00
STATUS	Status Register	0x0103	RO	N/A
DATA_VOUT	Voltage Channel Output Data	0x0200 0x0201	RO	N/A
DATA_COUT	Current Channel Output Data	0x0202 0x0203	RO	N/A

Table 4. CONFIG_A: Interface Configuration A

ADDR	BIT 7	BIT 6	BIT 5	BIT 4	BIT 3	BIT 2	BIT 1	BIT 0
0x0000	RESET	DDIR	ADDRDIR	SDDIR				

[7]	RESET ⁽¹⁾	Soft reset (self-clearing) 0: Normal (default) 1: Reset	R/W
[6]	DDIR	Data direction 0: Data is transmitted MSB first (default)	RO
[5]	ADDRDIR ⁽²⁾	Multiple-read auto-address direction 0: Address auto-decrements (default)	RO
[4]	SDDIR	Serial data direction 1: Unidirectional; SDI is used for write and SDO is used for read (default)	RO
[3:0]		Bits [3:0] should always mirror [7:4] as follows: [3] = [4] [2] = [5] [1] = [6] [0] = [7]	R/W

(1) Contents of register 0x0000 and 0x0001 and SPI state machine are unaffected

(2) Address 0x0000 will wrap to 0x7FFF

Table 5. CONFIG_B: Interface Configuration B

ADDR	BIT 7	BIT 6	BIT 5	BIT 4	BIT 3	BIT 2	BIT 1	BIT 0
0x0001	STREAM	Reserved	BUFREG_RD	Reserved		Reserved		Reserved

[7]	STREAM	Stream						RO
		0: Streaming is on (default)						
[6]	Reserved	Reserved						RO
		0 (default)						
[5]	BUFREG_RD ⁽¹⁾	Active/buffered register read-back						R/W
		0: Read back from active register (default)						
		1: Read back from buffered register						
[4:3]	Reserved	Reserved						RO
		00 (default)						
[2:1]	Reserved	Reserved						RO
		00 (default)						
[0]	Reserved	Reserved						RO
		0 (default)						

(1) Only double-buffered register affected: 0x0100

Table 6. CHIP_TYPE: Chip Type

ADDR	BIT 7	BIT 6	BIT 5	BIT 4	BIT 3	BIT 2	BIT 1	BIT 0
0x0003	CHIP_TYPE							

[7:0]	CHIP_TYPE	Chip type						RO
		0x07: Precision ADC						

Table 7. CHIP_ID: Chip ID LSB

ADDR	BIT 7	BIT 6	BIT 5	BIT 4	BIT 3	BIT 2	BIT 1	BIT 0
0x0004	CHIP_ID_LSB							

[7:0]	CHIP_ID_LSB	Chip ID LSB						RO
		0x00 (Manufacturer defined)						

Table 8. CHIP_ID: Chip ID MSB

ADDR	BIT 7	BIT 6	BIT 5	BIT 4	BIT 3	BIT 2	BIT 1	BIT 0
0x0005	CHIP_ID_MSB							

[7:0]	CHIP_ID_MSB	Chip ID MSB						RO
		0x04 (Manufacturer defined)						

Table 9. CHIP_REV: Chip Revision

ADDR	BIT 7	BIT 6	BIT 5	BIT 4	BIT 3	BIT 2	BIT 1	BIT 0
0x0006	CHIP_REV							

[7:0] CHIP_REV Chip REV RO
0x01

Table 10. MFR_ID: Manufacturer ID LSB

ADDR	BIT 7	BIT 6	BIT 5	BIT 4	BIT 3	BIT 2	BIT 1	BIT 0
0x000C	MFR_ID_LSB							

[7:0] MFR_ID_LSB Manufacturer ID LSB RO
0x51

Table 11. MFR_ID: Manufacturer ID MSB

ADDR	BIT 7	BIT 6	BIT 5	BIT 4	BIT 3	BIT 2	BIT 1	BIT 0
0x000D	MFR_ID_MSB							

[7:0] MFR_ID_MSB Manufacturer ID MSB RO
0x04

Table 12. REG_UPDATE: Register Update

ADDR	BIT 7	BIT 6	BIT 5	BIT 4	BIT 3	BIT 2	BIT 1	BIT 0
0x000F								BUFREG_UPDATE

[7:1] Reserved Reserved RO
0 (default)

[0] BUFREG_UPDATE⁽¹⁾ Buffered register update (self clearing) R/W
0: No action (default)
1: Transfer buffered register contents to active register

(1) Register 0x0100 is buffered.

Table 13. CONFIG_REG: Lmp92064 Specific Configuration Register

ADDR	BIT 7	BIT 6	BIT 5	BIT 4	BIT 3	BIT 2	BIT 1	BIT 0
0x0100	Reserved							

[7:0] Reserved⁽¹⁾ Reserved for future use R/W
0x00 (default)

(1) This register is double-buffered; register 0x000F must be set to 1 to transfer the contents from the buffer to the active register.

Table 14. STATUS: Status Register

ADDR	BIT 7	BIT 6	BIT 5	BIT 4	BIT 3	BIT 2	BIT 1	BIT 0
0x0103	0	0	0	0	0	0	0	STATUS

[7:1] Unused Unused RO
Always read 7'b0

[0] STATUS Status RO
0: Device is not ready for conversion
1: Device is ready for conversion

Table 15. DATA_VOUT: Voltage Channel Output Data LSB

ADDR	BIT 7	BIT 6	BIT 5	BIT 4	BIT 3	BIT 2	BIT 1	BIT 0
0x0200	VOUT_DATA_LSB							

[7:0] VOUT_ DATA_LSB Voltage output data least significant byte RO

Table 16. DATA_VOUT: Voltage Channel Output Data MSB

ADDR	BIT 7	BIT 6	BIT 5	BIT 4	BIT 3	BIT 2	BIT 1	BIT 0
0x0201	0	0	0	0	VOUT_DATA_MSB			

[7:4] Unused Unused RO
0000 (default)

[3:0] VOUT_ DATA_MSB Voltage output data most significant byte RO

Table 17. DATA_COUT: Current Channel Output Data LSB

ADDR	BIT 7	BIT 6	BIT 5	BIT 4	BIT 3	BIT 2	BIT 1	BIT 0
0x0202	COUT_DATA_LSB							

[7:0] COUT_ DATA_LSB Current output data least significant byte RO

Table 18. DATA_COUT: Current Channel Output Data MSB

ADDR	BIT 7	BIT 6	BIT 5	BIT 4	BIT 3	BIT 2	BIT 1	BIT 0
0x0203	0	0	0	0	COUT_DATA_MSB			

[7:4] Unused Unused RO
0000 (default)

[3:0] COUT_ DATA_MSB Current output data most significant byte RO

8 Application and Implementation

NOTE

Information in the following applications sections is not part of the TI component specification, and TI does not warrant its accuracy or completeness. TI's customers are responsible for determining suitability of components for their purposes. Customers should validate and test their design implementation to confirm system functionality.

8.1 Application Information

The LMP92064 is a precision low-side digital current sensor and voltage monitor with a digital SPI interface. The device is typically used to measure a load current by means of a current sense resistor connected in series with a load. Use the following design procedure to select the main components of a simple current and voltage monitoring application using the LMP92064.

8.2 Typical Application

In this example, the LMP92064 is used to sense the load current flowing through the sense resistor, R1. Additionally, the voltage across R3 can be sensed to calculate the bus voltage.

The load that will be monitored is operating from a -48-V bus. Because the GND pin of the LMP92064 is connected to the -48-V bus, -48 V becomes the ground reference for the device.

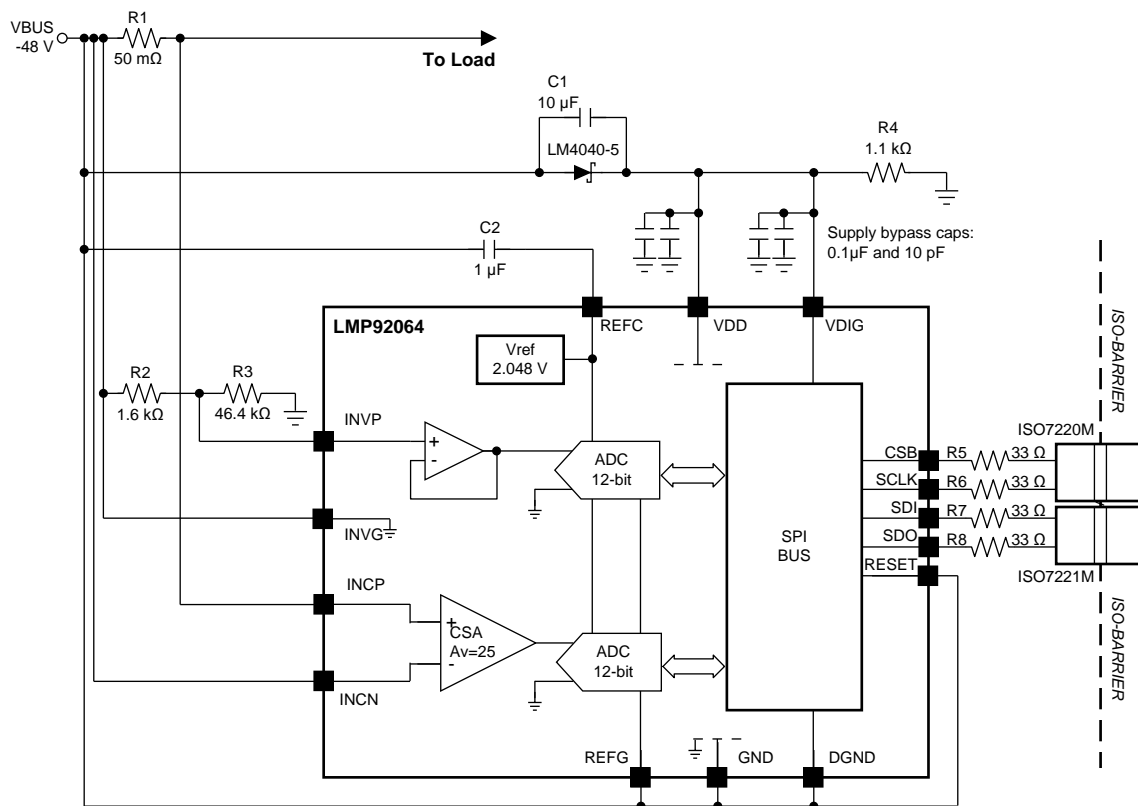


Figure 23. Typical Application Diagram

Typical Application (continued)

8.2.1 Design Requirements

For this design example, use the parameters listed in [Table 19](#) as the application parameters.

Table 19. Design Parameters

DESIGN PARAMETER	EXAMPLE VALUE
Bus Voltage	-48 V
Bus Voltage Variation	±2%
Supply Voltage	5 V
SPI Clock	12 MHz
Maximum Load Current	1 A
Resolution	1 mA

8.2.2 Detailed Design Procedure

8.2.2.1 Digital Isolators

The ISO7220M and ISO7221M isolators are used for this example. Please refer to the ISO722x documentation for device specific information. These devices support data rates of up to 150 Mbps and provide a low propagation delay necessary for bi-directional SPI communication at 12 MHz.

8.2.2.2 Supply Voltage for the LMP92064

A 5-V supply is required for the LMP92064. The LM4040-5 reference is used to generate the required voltage from the load's -48-V supply. The LM4040-N is a precision micropower shunt voltage reference and is available in several fixed breakdown voltage options. The LM4040-5 provides the required 5-V breakdown voltage.

In a conventional shunt regulator application ([Figure 24](#)), the LM4040-5 requires a current limiting resistor connected between the positive supply voltage and the LM4040-5.

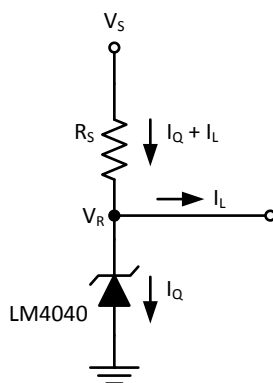


Figure 24. Shunt Regulator

The value of the resistor is determined by the positive supply voltage (V_S), the load current (I_L), the reference operating current (I_Q), and the LM4040-5's reverse breakdown voltage (V_R).

$$R_S = \frac{V_S - V_R}{I_L + I_Q} \quad (1)$$

8.2.2.3 Series Resistor for the Shunt Regulator

The selection of R_S should satisfy two main conditions:

- R_S should be small enough to supply at least the minimum acceptable I_Q to the LM4040-5 even when the supply voltage is at its minimum and the load current is at its maximum value.
- R_S should be large enough so that the current flowing through the LM4040-5 is less than 15 mA when the supply voltage is at its maximum and the load current is at its minimum.

The minimum operating current of the LM4040AIM3-5/NOPB is 80 μ A and its maximum operating current is 15 mA.

The typical supply current of the LMP92064 is 13 mA. The measured average current of the circuit, including the isolators, is 38 mA.

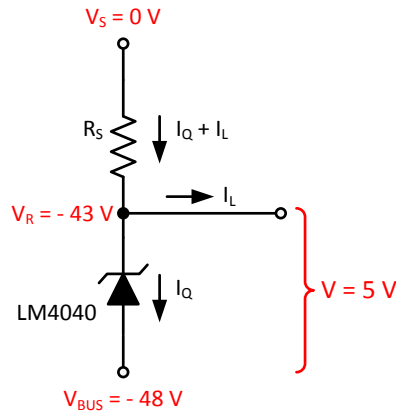


Figure 25. Shunt Regulator Voltages

From Figure 25, $V_S = 0$ V and $V_R = -43$ V. R_S can be calculated as follows:

$$R_S = \frac{0\text{ V} - (-43\text{ V})}{38\text{ mA} + 80\mu\text{A}} = 1129\ \Omega \quad (2)$$

Choosing a smaller resistor, like a 1.1-k Ω resistor, will result in about 39.1 mA to flowing through R_S , providing a margin of 1 mA above the required 38.08 mA.

A variation in the bus voltage (V_{BUS}) of $\pm 2\%$ would result in less than ± 0.87 mA of current variation. Given the additional current margin obtained by the 1.1-k Ω resistor, the shunt regulator would still have more than the required 80 μ A of operating current.

The power rating of the series resistor should be selected according to the expected power to be dissipated. In normal operation, the resistor would dissipate 43 V x 39 mA = 1.677 W.

Excess current not used by the LMP92064 and isolators circuits will be burned by in the LM4040-5, and this current should never exceed 15 mA.

8.2.2.4 Voltage Channel Input Resistor Divider

The input buffer amplifier of the LMP92064's voltage channel can tolerate high source impedances, which enables scaling the bus voltage with the use of an external resistor divider. The accuracy of the voltage measurements depends on the accuracy of the components used for the resistor divider as well as the impedance of the divider.

In this example, the voltage channel can sense the voltage across R2 (see Figure 23). The main voltage should be scaled to a range below 2.048V by the resistive divider. If the resistive divider is always connected to the bus voltage, the series resistance of R2 + R3 should be adjusted (while keeping their ratio constant) to limit the current across the resistors within a permissible range for the application.

For simplicity, R2 is set to 1.6k Ω and R3 is set to 46.4 k Ω . The bus voltage of 48 V results in 1.6 V across R2 and the current flowing through R2 and R3 is 1 mA.

8.2.2.5 Sense Resistor Selection

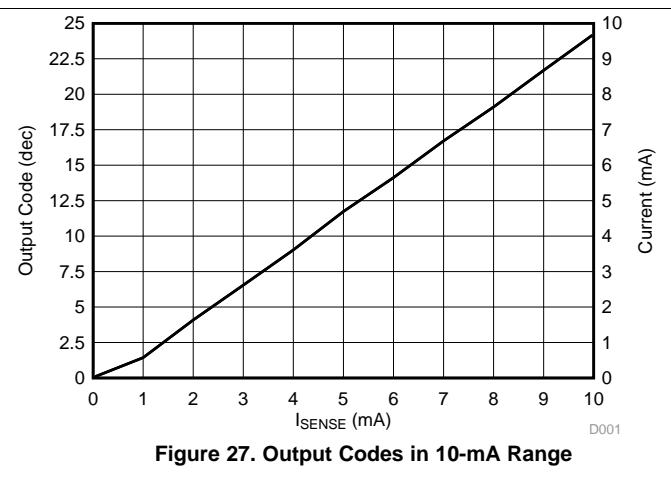
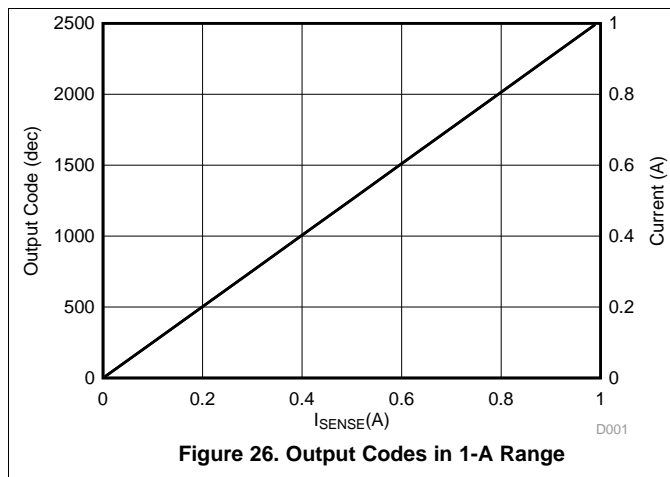
The accuracy of the current measurement depends heavily on the accuracy of the current sense resistor. Its value depends on the application and it is a compromise between signal accuracy, maximum permissible voltage loss and power dissipation in the current sense resistor. High resistance values provide better accuracy at lower currents by minimizing the effects of offset, while low resistance values of minimize voltage loss in the load supply section, but at the expense of low-end accuracy.

In this example, the maximum sense voltage at the input of the current sense channel of the LMP92064 is 75 mV. Given the maximum load current requirement of 1 A, the sense resistor should be selected to be smaller than 75 mΩ.

The resolution at the input of the current sense channel of the device is 20 μV / code. To observe a change in the output code for a 1 mA change in sense current, the sense resistor should be larger than 20 mΩ.

8.2.3 Application Curves

The data in the following curves was collected using a 50 mΩ sense resistor, which results in a conversion factor of 2.5 codes/mA. The sense current for the first curve was increased in steps of 100 mA up to 1 A. The sense current for the second curve was increased in steps of 1 mA up to 10 mA. The data was acquired asynchronously at a rate of 2000 samples per second, and each data point is the resulting average of 260 samples.



9 Power Supply Recommendations

To decouple the LMP92064 from AC noise on the power supply, it is recommended to use a 0.1- μ F bypass capacitor between the VDD and GND pins. This capacitor should be placed as close as possible to the supply pins. In some cases an additional 10- μ F bypass capacitor may further reduce the supply noise. In addition, the VDIG power pin should also be decoupled to DGND with a 0.1- μ F bypass capacitor. Do not forget that these capacitors must be rated for the full supply voltage (2x the maximum voltage is recommended for the capacitor working voltage rating).

10 Layout

10.1 Layout Guidelines

- Connect the sense resistor pads directly to the INCP and INCN inputs of the LMP92064 using “Kelvin” or “4-wire” connection techniques. See the [Current Input Error Sources and Layout Considerations](#) section for more information.
- Bypass capacitors should be placed in close proximity to the supply pins. It is recommended to use a 0.1- μ F capacitor on each supply pin. Additional bypass capacitors can be used.
- A 1- μ F ceramic bypass capacitor should be placed in close proximity to the REFC pin.
- The SPI signals traces should be routed close together.
- Series resistors should be placed at the SPI sources.

10.1.1 Current Input Error Sources

The traces leading to and from the sense resistor can be significant error sources. With small value sense resistors (<100 m Ω), trace resistance shared with the load can cause significant errors. TI recommends connecting the sense resistor pads directly to the INCP and INCN inputs of the LMP92064 using “Kelvin” or “4-wire” connection techniques. An example is shown in [Figure 28](#).

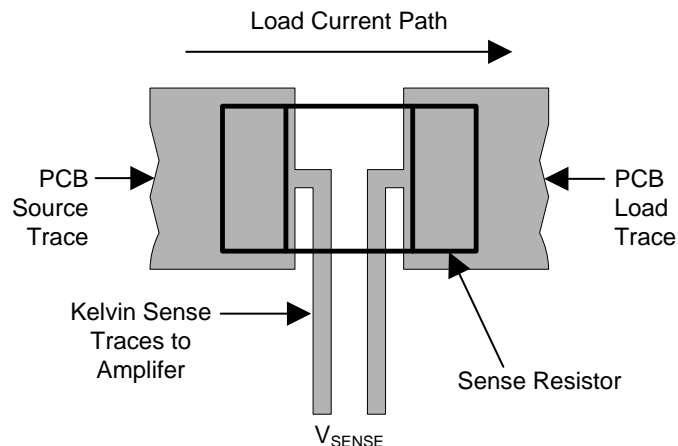


Figure 28. 4-Wire "Kelvin" Sensing Technique

Because the sense traces only carry the amplifier bias current, the connecting input traces can be thinner, signal level traces. The traces should be one continuous piece of copper from the sense resistor pad to the LMP92064 input pin pad, and ideally on the same layer with minimal vias or connectors. This can be important around the sense resistor if it is generating any significant heat. To minimize noise pickup and thermal errors, the input traces should be treated as a signal pair and routed tightly together with a direct path to the input pins. The input traces should be run away from noise sources, such as digital lines, switching supplies or motor drive lines.

10.2 Layout Example

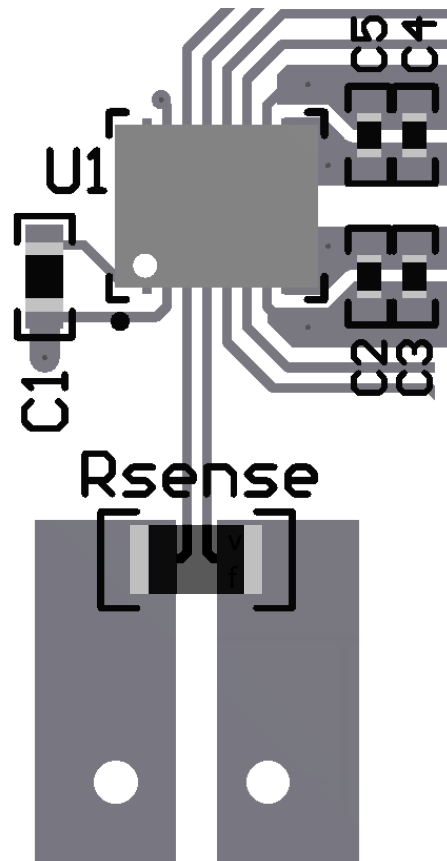


Figure 29. Layout Schematic

11 Device and Documentation Support

11.1 Trademarks

All trademarks are the property of their respective owners.

11.2 Electrostatic Discharge Caution



These devices have limited built-in ESD protection. The leads should be shorted together or the device placed in conductive foam during storage or handling to prevent electrostatic damage to the MOS gates.

11.3 Glossary

[SLYZ022](#) — *TI Glossary*.

This glossary lists and explains terms, acronyms, and definitions.

12 Mechanical, Packaging, and Orderable Information

The following pages include mechanical, packaging, and orderable information. This information is the most current data available for the designated devices. This data is subject to change without notice and revision of this document. For browser-based versions of this data sheet, refer to the left-hand navigation.

PACKAGING INFORMATION

Orderable Device	Status (1)	Package Type	Package Drawing	Pins	Package Qty	Eco Plan (2)	Lead/Ball Finish (6)	MSL Peak Temp (3)	Op Temp (°C)	Device Marking (4/5)	Samples
LMP92064SD/NOPB	ACTIVE	WSO	NHR	16	1000	Green (RoHS & no Sb/Br)	SN	Level-3-260C-168 HR	-40 to 105	L92064	Samples
LMP92064SDE/NOPB	ACTIVE	WSO	NHR	16	250	Green (RoHS & no Sb/Br)	SN	Level-3-260C-168 HR	-40 to 105	L92064	Samples
LMP92064SDX/NOPB	ACTIVE	WSO	NHR	16	4500	Green (RoHS & no Sb/Br)	SN	Level-3-260C-168 HR	-40 to 105	L92064	Samples

(1) The marketing status values are defined as follows:

ACTIVE: Product device recommended for new designs.

LIFEBUY: TI has announced that the device will be discontinued, and a lifetime-buy period is in effect.

NRND: Not recommended for new designs. Device is in production to support existing customers, but TI does not recommend using this part in a new design.

PREVIEW: Device has been announced but is not in production. Samples may or may not be available.

OBSELETE: TI has discontinued the production of the device.

(2) **RoHS:** TI defines "RoHS" to mean semiconductor products that are compliant with the current EU RoHS requirements for all 10 RoHS substances, including the requirement that RoHS substance do not exceed 0.1% by weight in homogeneous materials. Where designed to be soldered at high temperatures, "RoHS" products are suitable for use in specified lead-free processes. TI may reference these types of products as "Pb-Free".

RoHS Exempt: TI defines "RoHS Exempt" to mean products that contain lead but are compliant with EU RoHS pursuant to a specific EU RoHS exemption.

Green: TI defines "Green" to mean the content of Chlorine (Cl) and Bromine (Br) based flame retardants meet JS709B low halogen requirements of <=1000ppm threshold. Antimony trioxide based flame retardants must also meet the <=1000ppm threshold requirement.

(3) MSL, Peak Temp. - The Moisture Sensitivity Level rating according to the JEDEC industry standard classifications, and peak solder temperature.

(4) There may be additional marking, which relates to the logo, the lot trace code information, or the environmental category on the device.

(5) Multiple Device Markings will be inside parentheses. Only one Device Marking contained in parentheses and separated by a "-" will appear on a device. If a line is indented then it is a continuation of the previous line and the two combined represent the entire Device Marking for that device.

(6) Lead/Ball Finish - Orderable Devices may have multiple material finish options. Finish options are separated by a vertical ruled line. Lead/Ball Finish values may wrap to two lines if the finish value exceeds the maximum column width.

Important Information and Disclaimer:The information provided on this page represents TI's knowledge and belief as of the date that it is provided. TI bases its knowledge and belief on information provided by third parties, and makes no representation or warranty as to the accuracy of such information. Efforts are underway to better integrate information from third parties. TI has taken and continues to take reasonable steps to provide representative and accurate information but may not have conducted destructive testing or chemical analysis on incoming materials and chemicals. TI and TI suppliers consider certain information to be proprietary, and thus CAS numbers and other limited information may not be available for release.

In no event shall TI's liability arising out of such information exceed the total purchase price of the TI part(s) at issue in this document sold by TI to Customer on an annual basis.

TAPE AND REEL INFORMATION

QUADRANT ASSIGNMENTS FOR PIN 1 ORIENTATION IN TAPE


*All dimensions are nominal

Device	Package Type	Package Drawing	Pins	SPQ	Reel Diameter (mm)	Reel Width W1 (mm)	A0 (mm)	B0 (mm)	K0 (mm)	P1 (mm)	W (mm)	Pin1 Quadrant
LMP92064SD/NOPB	WSON	NHR	16	1000	178.0	12.4	4.3	5.3	1.3	8.0	12.0	Q1
LMP92064SDE/NOPB	WSON	NHR	16	250	178.0	12.4	4.3	5.3	1.3	8.0	12.0	Q1
LMP92064SDX/NOPB	WSON	NHR	16	4500	330.0	12.4	4.3	5.3	1.3	8.0	12.0	Q1

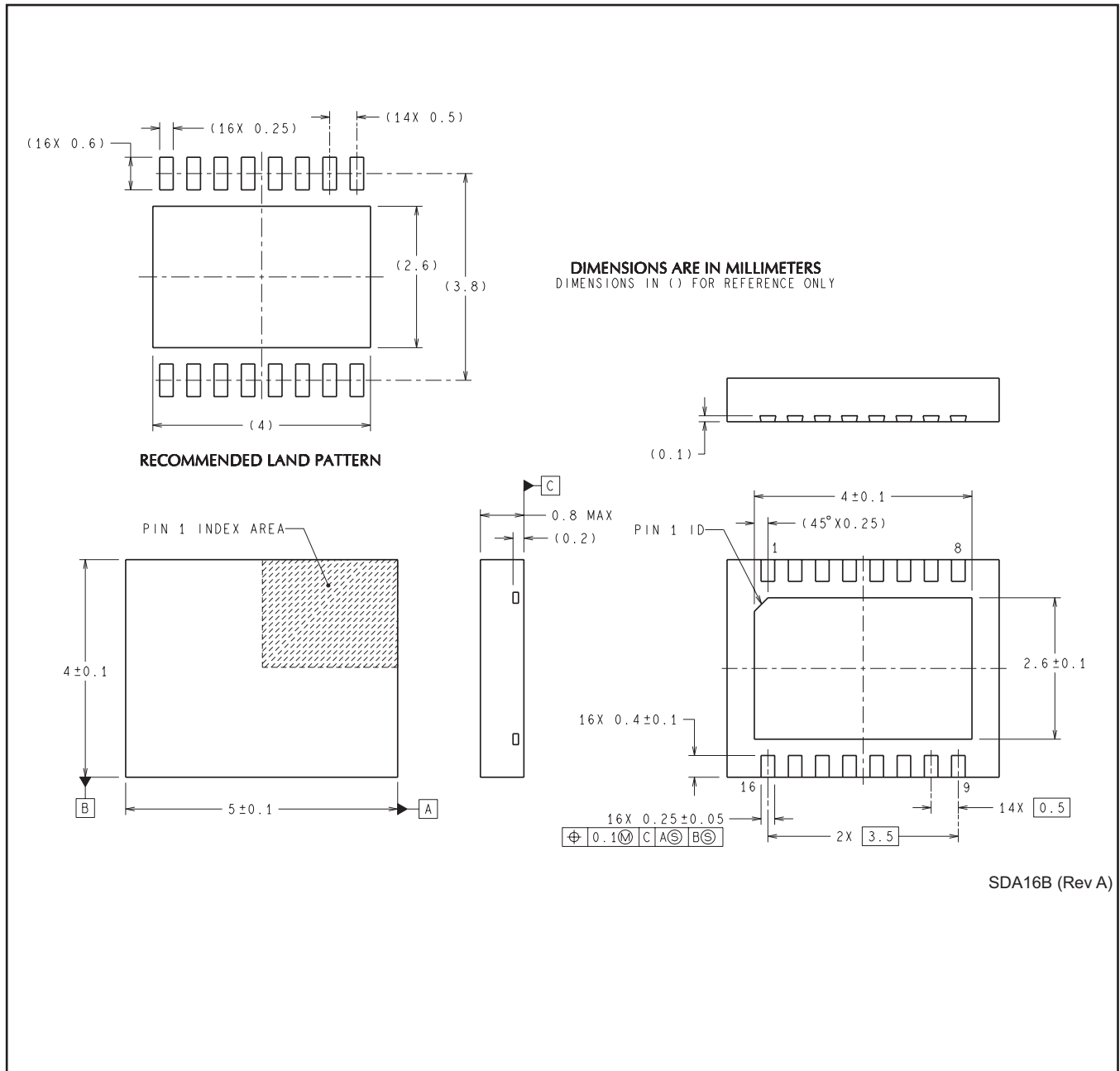
TAPE AND REEL BOX DIMENSIONS



*All dimensions are nominal

Device	Package Type	Package Drawing	Pins	SPQ	Length (mm)	Width (mm)	Height (mm)
LMP92064SD/NOPB	WSON	NHR	16	1000	210.0	185.0	35.0
LMP92064SDE/NOPB	WSON	NHR	16	250	210.0	185.0	35.0
LMP92064SDX/NOPB	WSON	NHR	16	4500	367.0	367.0	35.0

NHR0016B



IMPORTANT NOTICE AND DISCLAIMER

TI PROVIDES TECHNICAL AND RELIABILITY DATA (INCLUDING DATASHEETS), DESIGN RESOURCES (INCLUDING REFERENCE DESIGNS), APPLICATION OR OTHER DESIGN ADVICE, WEB TOOLS, SAFETY INFORMATION, AND OTHER RESOURCES "AS IS" AND WITH ALL FAULTS, AND DISCLAIMS ALL WARRANTIES, EXPRESS AND IMPLIED, INCLUDING WITHOUT LIMITATION ANY IMPLIED WARRANTIES OF MERCHANTABILITY, FITNESS FOR A PARTICULAR PURPOSE OR NON-INFRINGEMENT OF THIRD PARTY INTELLECTUAL PROPERTY RIGHTS.

These resources are intended for skilled developers designing with TI products. You are solely responsible for (1) selecting the appropriate TI products for your application, (2) designing, validating and testing your application, and (3) ensuring your application meets applicable standards, and any other safety, security, or other requirements. These resources are subject to change without notice. TI grants you permission to use these resources only for development of an application that uses the TI products described in the resource. Other reproduction and display of these resources is prohibited. No license is granted to any other TI intellectual property right or to any third party intellectual property right. TI disclaims responsibility for, and you will fully indemnify TI and its representatives against, any claims, damages, costs, losses, and liabilities arising out of your use of these resources.

TI's products are provided subject to TI's Terms of Sale (www.ti.com/legal/termsofsale.html) or other applicable terms available either on ti.com or provided in conjunction with such TI products. TI's provision of these resources does not expand or otherwise alter TI's applicable warranties or warranty disclaimers for TI products.

Mailing Address: Texas Instruments, Post Office Box 655303, Dallas, Texas 75265
Copyright © 2020, Texas Instruments Incorporated