

AGB2N0CS-GEVK

AGB2N0CS-GEVK Evaluation Board User's Manual



ON Semiconductor®

www.onsemi.com

EVAL BOARD USER'S MANUAL

Adapter Board Overview

The AGB2N0CS Adapter Board helps connect Demo 2× headboards to the Demo 3 Baseboard, the AGB1N0CS-GEVK. The Demo 3 uses a high-bandwidth USB 3.0 interface and HDMI® connector to send sensor image data to the host computer. It supports single/double/quad MIPI interface, dual/quad lanes of HiSPi interface, CCP, and parallel interface. Since the Demo 2× Headboards do not use the same connector as the Demo 3, the AGB2N0CS provides communication between the headboard parallel and serial connectors to communicate with the Demo 3 Baseboard interface connection.

Features

- Demo 2× Headboard Connectors
- Parallel Data Buffer Option
- MIPI/HiSPi Connectors
- Demo 3 Baseboard Connector

Block Diagram

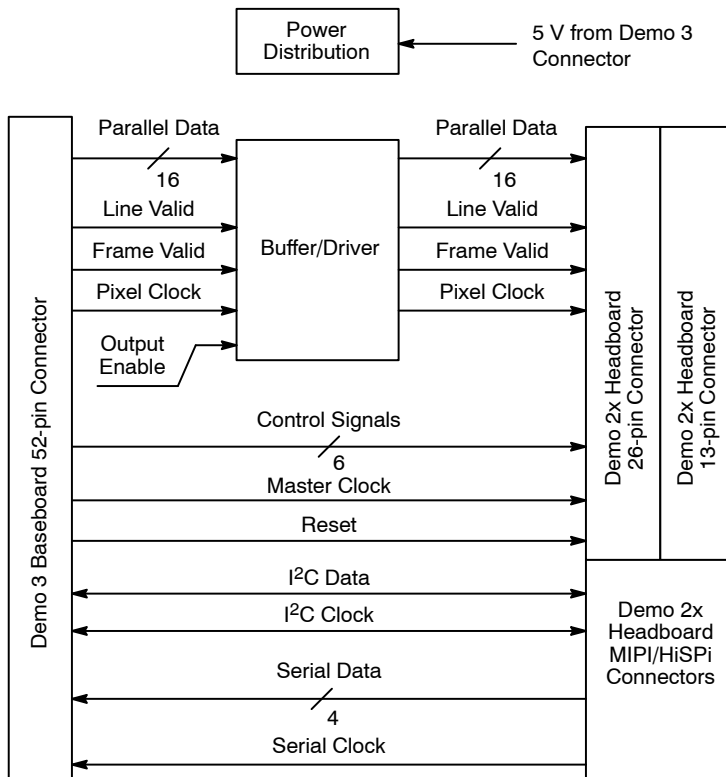


Figure 2. Block Diagram of AGB2N0CS-GEVK



Top View



Bottom View

Figure 1. AGB2N0CS Evaluation Board

AGB2N0CS-GEVK

Jumper Pin Location

The jumpers on headboards start with Pin 1 on the leftmost side of the pin. Grouped jumpers increase in pin size with each jumper added.

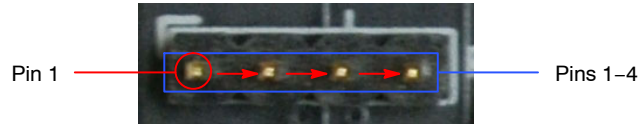


Figure 5. Pin Locations for a Single Jumper. Pin 1 is Located at the Leftmost Side

Jumper/Header Functions & Default Positions

The P1 jumper/header configuration allows configuration of parallel data. Its default position shorts pins 2–3, which enables the parallel data buffer to pass parallel data signals. When pins 1–2 are shorted, the parallel data buffer is disabled.

AGB2N0CS-GEVK Connectors

The evaluation board supports has various different connectors on-board, including a Demo 3 connector, two MIPI/HiSPi connectors for the Demo 2× headboard, the 14-pin Demo 2× headboard connector, and 26-pin Demo 2× headboard connector.

Headboard Connectors

The Demo 2× headboard connectors are described in the pinouts in Tables 1 and 2. The headboard connector has a 14-pin and 26-pin connector, as well as two MIPI/HiSPi connectors.

Baseboard Connector

The Demo 3 Baseboard connector is shown in the pinout in Table 3. The Demo 3 connector has a serial sensor data input, I²C control interface, headboard power, and parallel image data interface.

Table 1. 26-PIN DEMO 2X HEADBOARD CONNECTOR FUNCTION DESCRIPTION (J1)

Pin	Name	Description	DIR	Comment
1	S_DATA8	Parallel Data8	I/O	Parallel Data Bit
2	S_DATA9	Parallel Data9	I/O	Parallel Data Bit
3	S_DATA10	Parallel Data10	I/O	Parallel Data Bit
4	S_DATA11	Parallel Data11	I/O	Parallel Data Bit
5	S_DATA12	Parallel Data12	I/O	Parallel Data Bit
6	S_DATA13	Parallel Data13	I/O	Parallel Data Bit
7	S_DATA14	Parallel Data14	I/O	Parallel Data Bit
8	S_DATA15	Parallel Data15	I/O	Parallel Data Bit
9	S_DATA6	Parallel Data6	I/O	Parallel Data Bit
10	S_DATA7	Parallel Data7	I/O	Parallel Data Bit
11	GND	Ground	PWR	
12	GND	Ground	PWR	
13	S_LINE_VALID	Parallel Line Valid	Out	Check Line Valid Signal
14	S_SP5	General Control Signal 5	Out	Signal @ +3.3 V Level
15	NOT USED	Not Used	NA	
16	HEAD_RESET_L	Reset Signal to Sensor	In	Reset to Headboard Sensor
17	S_FRAME_VALID	Parallel Frame Valid	Out	Check Frame Valid Signal
18	HEAD_SDA	I ² C Data to Sensor	I/O	Signal @ +3.3 V Level
19	HEAD_SCL	I ² C Clock to Sensor	I/O	Signal @ +3.3 V Level
20	NOT USED	Not Used	NA	
21	+5V0_HEAD	+5V0 Power Input	PWR	For Powering Up the Headboard
22	+5V0_HEAD	+5V0 Power Input	PWR	For Powering Up the Headboard
23	S_PIXCLK	Parallel Pixel Clock	In	Parallel Data Pixel Clock
24	GND	Ground	PWR	

AGB2N0CS-GEVK

Table 1. 26-PIN DEMO 2X HEADBOARD CONNECTOR FUNCTION DESCRIPTION (J1) (continued)

Pin	Name	Description	DIR	Comment
25	GND	Ground	PWR	
26	MCLK	Master Clock	In	Master Clock from Demo 3 Board

Table 2. 14-PIN DEMO 2X HEADBOARD CONNECTOR FUNCTION DESCRIPTION (J2)

Pin	Name	Description	DIR	Comment
1	GND	Ground	PWR	
2	S_DATA4	Parallel Data4	I/O	Parallel Data Bit
3	S_DATA5	Parallel Data5	I/O	Parallel Data Bit
4	S_DATA2	Parallel Data2	I/O	Parallel Data Bit
5	S_DATA3	Parallel Data3	I/O	Parallel Data Bit
6	S_DATA0	Parallel Data0	I/O	Parallel Data Bit
7	S_DATA1	Parallel Data1	I/O	Parallel Data Bit
8	S_SP0	General Control Signal 0	Out	Signal @ +3.3 V Level
9	S_SP1	General Control Signal 1	Out	Signal @ +3.3 V Level
10	S_SP2	General Control Signal 2	Out	Signal @ +3.3 V Level
11	S_SP3	General Control Signal 3	Out	Signal @ +3.3 V Level
12	S_SP4	General Control Signal 4	Out	Signal @ +3.3 V Level
13	+3V3_HEAD	+3.3 V to Headboard	PWR	For Powering Up the Headboard
14	GND	Ground	PWR	

Shorted Jumper for Power Measurement

Different supplies to the headboard are provided by trace shorted jumper, for any voltage and power measurements. To conduct current for current measurement on a given power rail, cut the trace between the two pins of their respective JP, and insert an ammeter prior to powering up the system. The figure below shows where the trace to cut is located.

Table 3. SHORTED JUMPERS FOR POWER MEASUREMENT

Jumper	Voltage (V)
JP1 (+5V0 HEAD)	5.0
JP2 (+3V3 HEAD)	3.3



Figure 6. Top and Bottom View of Shorted Jumper. The Bottom View Shows the Trace Location to Cut for Current Measurement

ON Semiconductor and the ON Semiconductor logo are trademarks of Semiconductor Components Industries, LLC dba ON Semiconductor or its subsidiaries in the United States and/or other countries. ON Semiconductor owns the rights to a number of patents, trademarks, copyrights, trade secrets, and other intellectual property. A listing of ON Semiconductor's product/patent coverage may be accessed at www.onsemi.com/site/pdf/Patent-Marking.pdf. ON Semiconductor is an Equal Opportunity/Affirmative Action Employer. This literature is subject to all applicable copyright laws and is not for resale in any manner.

The evaluation board/kit (research and development board/kit) (hereinafter the "board") is not a finished product and is as such not available for sale to consumers. The board is only intended for research, development, demonstration and evaluation purposes and should as such only be used in laboratory/development areas by persons with an engineering/technical training and familiar with the risks associated with handling electrical/mechanical components, systems and subsystems. This person assumes full responsibility/liability for proper and safe handling. Any other use, resale or redistribution for any other purpose is strictly prohibited.

The board is delivered "AS IS" and without warranty of any kind including, but not limited to, that the board is production-worthy, that the functions contained in the board will meet your requirements, or that the operation of the board will be uninterrupted or error free. ON Semiconductor expressly disclaims all warranties, express, implied or otherwise, including without limitation, warranties of fitness for a particular purpose and non-infringement of intellectual property rights.

ON Semiconductor reserves the right to make changes without further notice to any board.

You are responsible for determining whether the board will be suitable for your intended use or application or will achieve your intended results. Prior to using or distributing any systems that have been evaluated, designed or tested using the board, you agree to test and validate your design to confirm the functionality for your application. Any technical, applications or design information or advice, quality characterization, reliability data or other services provided by ON Semiconductor shall not constitute any representation or warranty by ON Semiconductor, and no additional obligations or liabilities shall arise from ON Semiconductor having provided such information or services.

The boards are not designed, intended, or authorized for use in life support systems, or any FDA Class 3 medical devices or medical devices with a similar or equivalent classification in a foreign jurisdiction, or any devices intended for implantation in the human body. Should you purchase or use the board for any such unintended or unauthorized application, you shall indemnify and hold ON Semiconductor and its officers, employees, subsidiaries, affiliates, and distributors harmless against all claims, costs, damages, and expenses, and reasonable attorney fees arising out of, directly or indirectly, any claim of personal injury or death associated with such unintended or unauthorized use, even if such claim alleges that ON Semiconductor was negligent regarding the design or manufacture of the board.

This evaluation board/kit does not fall within the scope of the European Union directives regarding electromagnetic compatibility, restricted substances (RoHS), recycling (WEEE), FCC, CE or UL, and may not meet the technical requirements of these or other related directives.

FCC WARNING – This evaluation board/kit is intended for use for engineering development, demonstration, or evaluation purposes only and is not considered by ON Semiconductor to be a finished end product fit for general consumer use. It may generate, use, or radiate radio frequency energy and has not been tested for compliance with the limits of computing devices pursuant to part 15 of FCC rules, which are designed to provide reasonable protection against radio frequency interference. Operation of this equipment may cause interference with radio communications, in which case the user shall be responsible, at its expense, to take whatever measures may be required to correct this interference.

ON Semiconductor does not convey any license under its patent rights nor the rights of others.

LIMITATIONS OF LIABILITY: ON Semiconductor shall not be liable for any special, consequential, incidental, indirect or punitive damages, including, but not limited to the costs of requalification, delay, loss of profits or goodwill, arising out of or in connection with the board, even if ON Semiconductor is advised of the possibility of such damages. In no event shall ON Semiconductor's aggregate liability from any obligation arising out of or in connection with the board, under any theory of liability, exceed the purchase price paid for the board, if any.

For more information and documentation, please visit www.onsemi.com.

PUBLICATION ORDERING INFORMATION

LITERATURE FULFILLMENT:

Email Requests to: orderlit@onsemi.com

ON Semiconductor Website: www.onsemi.com

TECHNICAL SUPPORT

North American Technical Support:

Voice Mail: 1 800-282-9855 Toll Free USA/Canada

Phone: 011 421 33 790 2910

Europe, Middle East and Africa Technical Support:

Phone: 00421 33 790 2910

For additional information, please contact your local Sales Representative