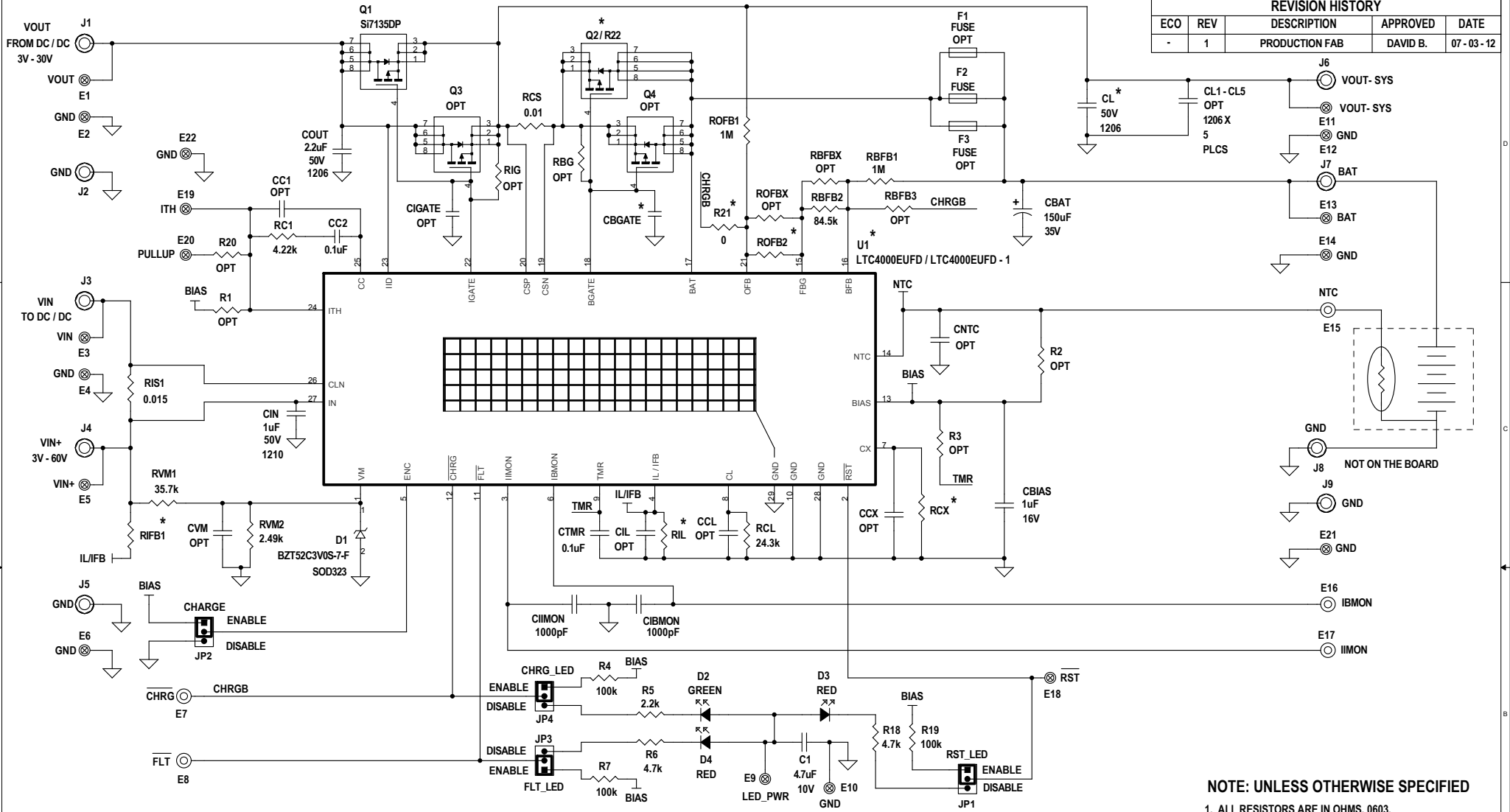
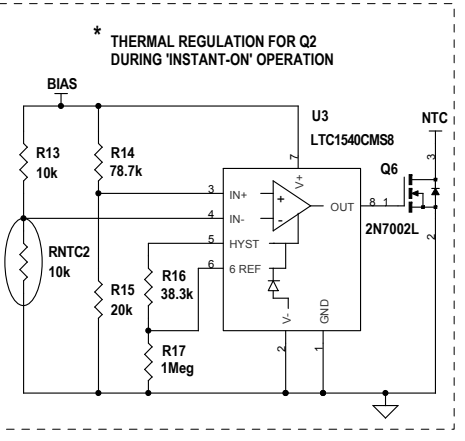
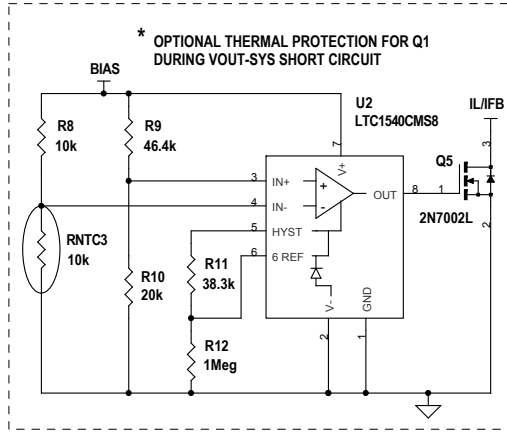


REVISION HISTORY				
ECO	REV	DESCRIPTION	APPROVED	DATE
-	1	PRODUCTION FAB	DAVID B.	07-03-12



**NOTE: UNLESS OTHERWISE SPECIFIED**

1. ALL RESISTORS ARE IN OHMS, 0603.
- ALL CAPACITORS ARE IN MICROFARADS, 0603.



**\* PARTS LIST**

U1	ASSY	TP CKT. FOR Q1	REG CKT. FOR Q2	R21	Q2 / R22	R1FB1	R1L	ROFB2	RCX	CL	CBGATE
LTC4000	-A	LOADED	LOADED	OPT	SI7135DP	OPT	18.2k	84.5k	10.0k	2.2uF	10nF
LTC4000	-B	NOT LOADED	NOT LOADED	0 OHM	LRC-LRZ-2010LF-R000	OPT	18.2k	OPT	0 OHM	OPT	OPT
LTC4000-1	-C	LOADED	LOADED	OPT	SI7135DP	OPT	68.1k	2k	84.5k	10.0k	2.2uF
LTC4000-1	-D	NOT LOADED	NOT LOADED	0 OHM	LRC-LRZ-2010LF-R000	OPT	68.1k	2k	OPT	0 OHM	OPT

**CUSTOMER NOTICE**

LINEAR TECHNOLOGY HAS MADE A BEST EFFORT TO DESIGN A CIRCUIT THAT MEETS CUSTOMER-SUPPLIED SPECIFICATIONS; HOWEVER, IT REMAINS THE CUSTOMER'S RESPONSIBILITY TO VERIFY PROPER AND RELIABLE OPERATION IN THE ACTUAL APPLICATION. COMPONENT SUBSTITUTION AND PRINTED CIRCUIT BOARD LAYOUT MAY SIGNIFICANTLY AFFECT CIRCUIT PERFORMANCE OR RELIABILITY. CONTACT LINEAR TECHNOLOGY APPLICATIONS ENGINEERING FOR ASSISTANCE.

THIS CIRCUIT IS PROPRIETARY TO LINEAR TECHNOLOGY AND SUPPLIED FOR USE WITH LINEAR TECHNOLOGY PARTS.

**APPROVALS**

PCB DES. NC  
APP ENG. DAVE B.

**LINEAR TECHNOLOGY**

1630 McCarthy Blvd.  
Milpitas, CA 95035  
Phone: (408)432-1900 www.linear.com  
Fax: (408)434-0507  
LTC Confidential-For Customer Use Only

**TITLE: SCHEMATIC**

**BATTERY CHARGER CONTROL AND POWER MANAGEMENT**

SIZE N/A	IC NO. LTC4000EUFD / LTC4000EUFD - 1	REV. 1
DATE: 07-03-12	SHEET 1 OF 1	