

# TPS63805EVM-026

This user's guide describes the operation, and use of the TPS63805EVM-026 evaluation module (EVM). The TPS63805EVM-026 is designed to help the users easily evaluate and test the operation and functionality of the TPS63805 buck-boost converter. The TPS63805EVM-026 has the output voltage set to 3.3V. The EVM operates from 1.3V to 5.5V input voltage. Output current can go up to 2A in buck mode and boost mode. This document includes setup instructions for the hardware, a schematic diagram, a bill of materials (BOM), and printed-circuit board (PCB) layout drawings for the evaluation module. Throughout this document, the abbreviations EVM, TPS63805EVM-026, and the term evaluation module are synonymous with the TPS63805, unless otherwise noted.

## Contents

1	Introduction .....	1
2	Setup .....	2
3	Board Layout .....	4
4	Schematic and Bill of Materials .....	7

## List of Figures

1	Assembly Layer .....	4
2	Top Layer Routing .....	4
3	Signal layer 1 .....	5
4	Signal Layer 2 .....	5
5	Bottom Layer Routing .....	6
6	Schematic .....	7

## List of Tables

1	Performance Specification Summary .....	2
2	TPS63805EVM-026 Bill of Materials .....	8

## Trademarks

All trademarks are the property of their respective owners.

## 1 Introduction

The Texas Instruments TPS63805 is a highly efficient, single-inductor, internally compensated, buck-boost converter in a 15-pin, 2.3-mm × 1.4-mm WCSP package. Both fixed and adjustable output voltage units are available.

### 1.1 Background

The TPS63805EVM-026 uses the TPS63805 integrated circuit (IC) and is set to a 3.3V output and operates with an input voltage between 1.3V and 5.5V.

## 1.2 Performance Specification

Table 1 provides a summary of the TPS63805EVM-026 performance specifications. All specifications are given for an ambient temperature of 25°C.

**Table 1. Performance Specification Summary**

Specification	Test Conditions	Min	Typ	Max	Unit
Input voltage		1.3		5.5	V
Start-up input voltage		1.8		5.5	V
Output voltage		1.8		5.5	mA
Output current	VIN ≥ 2.2V , Vout=3.3V	0		2000	mA

## 1.3 Modifications

The printed-circuit board (PCB) for this EVM is designed to accommodate the TPS63805. Extra positions are available for additional input and output capacitor and feed forward capacitor.

### 1.3.1 IC U1 Operation

U1 is configured for evaluation of the adjustable-output version. This EVM is set to 3.3 V. Resistors R1 and R2 can be used to set the output voltage between 1.8V and 5.5 V. See the datasheet for recommended values.

### 1.3.2 Precise Device Enable Evaluation

Components R3, R4 and C11 can be populated to evaluate the precise device enable feature of this IC. For further details please refer to the datasheet.

## 2 Setup

This section describes how to properly use the TPS63805EVM-026.

### 2.1 Input/Output Connector and Header Descriptions

#### 2.1.1 J1, Pin 1 and 2 – VIN

Positive input connection from the input supply for the EVM.

#### 2.1.2 J1, Pin 3 and 4 – S+/S-

Input voltage sense connections. Measure the input voltage at this point.

#### 2.1.3 J1, Pin 5 and 6 – GND

Vin GND return connection from the input supply for the EVM, common with J2, pin 5 and 6.

#### 2.1.4 J2, Pin 1 and 2 – VOUT

Output voltage connection.

#### 2.1.5 J2, Pin 3 and 4 – S+/S-

Vout Sense and GND Sense low-current sense lines for sampling the output voltage at the output capacitor.

#### 2.1.6 J2, Pin 5 and 6 – GND

Vout GND return connection for the output voltage, common with J1 pin 5 and 6.

**2.1.7 J5 – PG GND**

Power Good (PG) test point and GND connection.

**2.1.8 JP1 – MODE**

Shorting jumper between the center pin MODE and PFM enables automatic transition to power-saving mode at light-load currents as described in the data sheet; shorting jumper between the center pin MODE and PWM enables forced PWM mode.

**2.1.9 JP2 – ENABLE**

Shorting jumper between the center pin EN and ON turns on the unit. Shorting jumper between the center pin EN and OFF turns the unit off.

**2.2 Setup**

To operate the EVM, connect an input supply with the positive lead to J1, pins 1 and 2 and negative lead to J1, pins 5 and 6; connect a load with the positive lead to J2, pins 1 and 2 and the negative lead to J2, pins 5 and 6; short EN and ON (pins 2 and 3) of JP2 with a shorting jumper.

### 3 Board Layout

This section provides the TPS63805EVM-026 board layout and illustrations.

#### 3.1 Layout

Figure 1 through Figure 5 show the board layout for the TPS63805EVM-026 PCB.

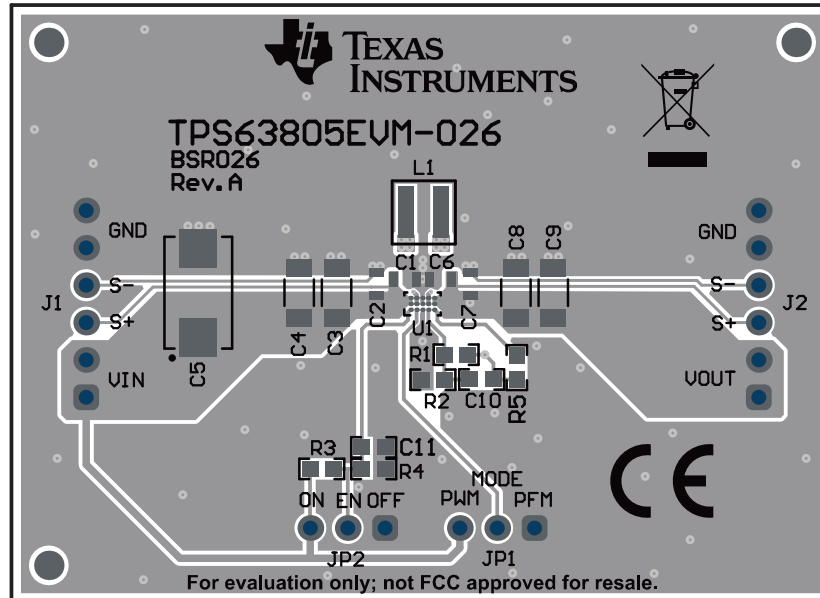


Figure 1. Assembly Layer

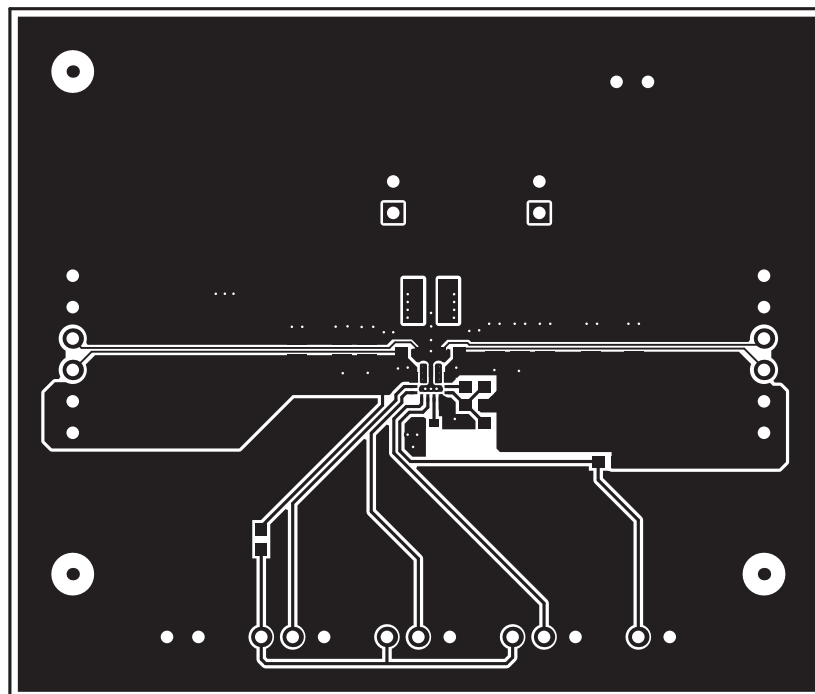


Figure 2. Top Layer Routing

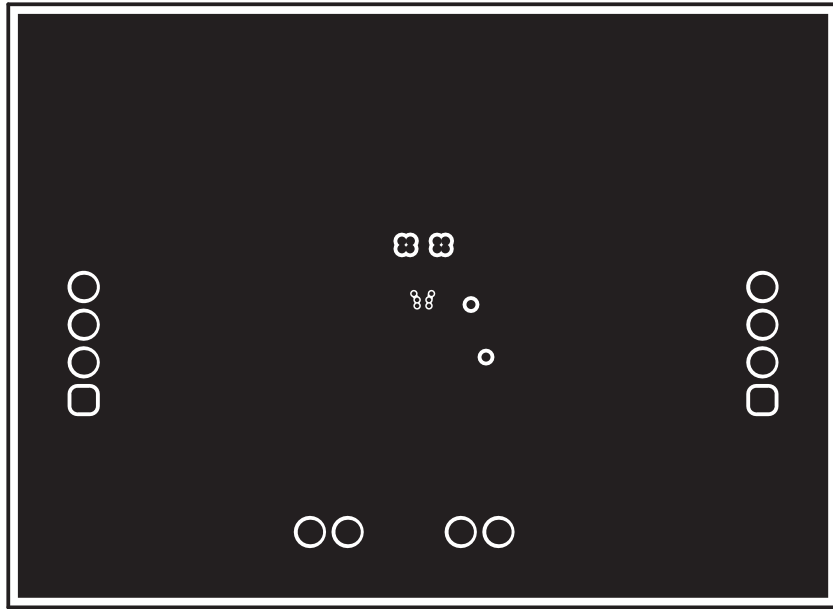


Figure 3. Signal layer 1

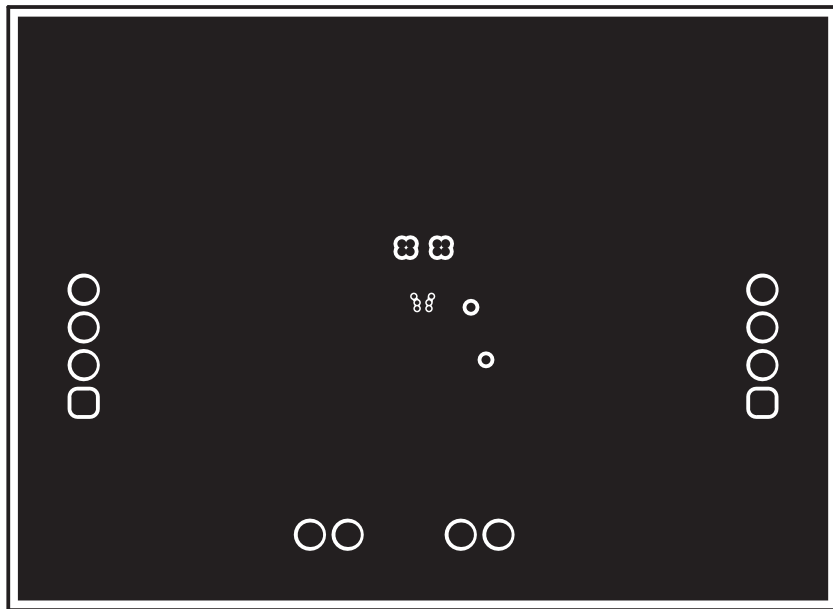
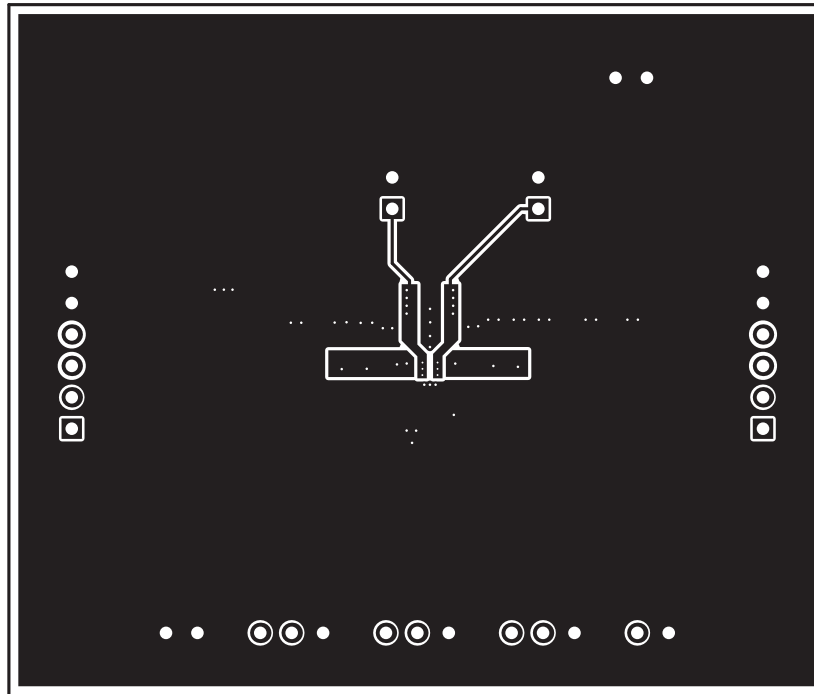


Figure 4. Signal Layer 2



**Figure 5. Bottom Layer Routing**

## 4 Schematic and Bill of Materials

This section provides the TPS63805EVM-026 schematic and bill of materials.

### 4.1 Schematic

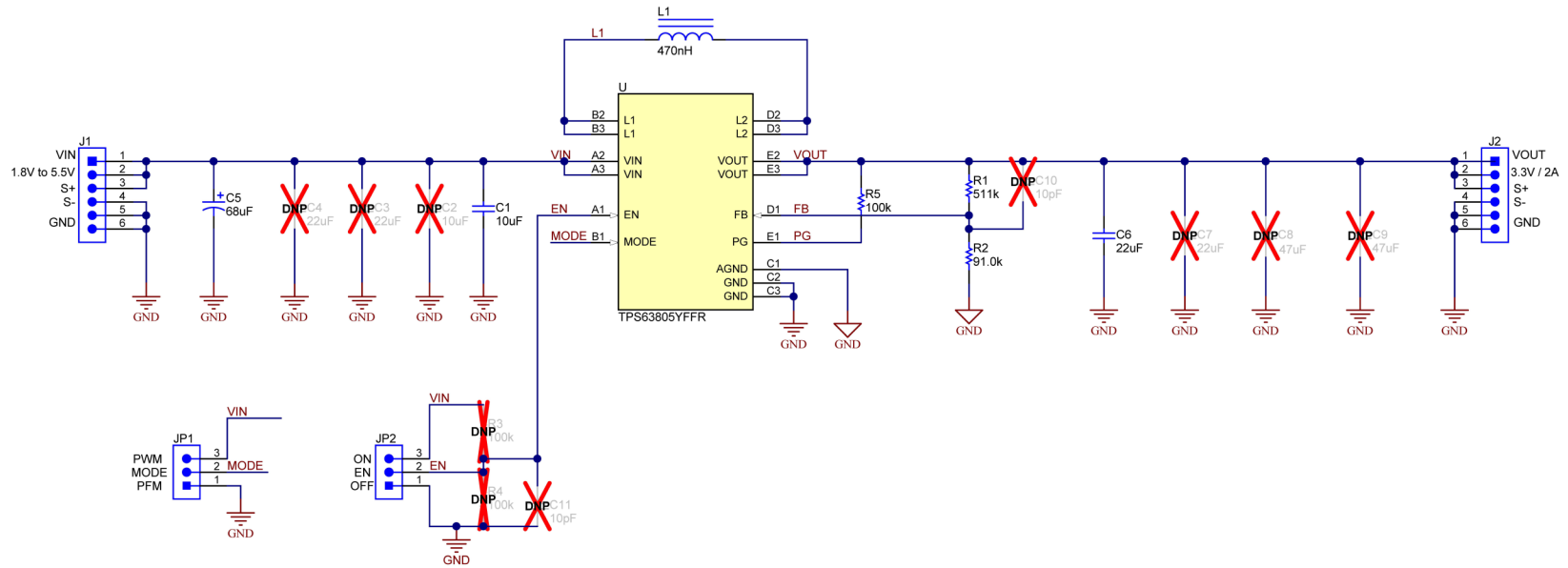


Figure 6. Schematic

## 4.2 Bill of Materials

**Table 2. TPS63805EVM-026 Bill of Materials**

Count	RefDes	Value	Description	Size	Part Number	MFR
1	C1	10 $\mu$ F	CAP, CERM, 10 $\mu$ F, 6.3 V, +/- 20%, X5R, 0603	603	GRM188R60J106ME84	Murata
1	C5	68 $\mu$ F	CAP, TA, 68 $\mu$ F, 20 V, +/- 10%, 0.15ohm	7343-31	T495D686K020ATE150	Kemet
1	C6	22 $\mu$ F	CAP, CERM, 22 $\mu$ F, 6.3 V, +/- 20%, X5R, 0603	805	GRM188R60J226MEA0D	Murata
1	L1	470nH	Inductor, Shielded, Composite, 470 nH, 3.5A, 76mohm	4x4x1.5mm	XFL4015-471MEC	Coilcraft
1	R1	511k	RES, 511 k, 1%, 0.1 W, 0603	603	Std	Std
1	R2	91.0k	RES, 91.0 k, 1%, 0.1 W, 0603	603	Std	Std
1	R5	100k	RES, 100 k, 1%, 0.1 W, 0603	603	Std	Std
1	U1	-	IC, Single Inductor Buck-Boost Converter	RNM0015A	TPS63805YFF	TI



## IMPORTANT NOTICE FOR TI DESIGN INFORMATION AND RESOURCES

Texas Instruments Incorporated ("TI") technical, application or other design advice, services or information, including, but not limited to, reference designs and materials relating to evaluation modules, (collectively, "TI Resources") are intended to assist designers who are developing applications that incorporate TI products; by downloading, accessing or using any particular TI Resource in any way, you (individually or, if you are acting on behalf of a company, your company) agree to use it solely for this purpose and subject to the terms of this Notice.

TI's provision of TI Resources does not expand or otherwise alter TI's applicable published warranties or warranty disclaimers for TI products, and no additional obligations or liabilities arise from TI providing such TI Resources. TI reserves the right to make corrections, enhancements, improvements and other changes to its TI Resources.

You understand and agree that you remain responsible for using your independent analysis, evaluation and judgment in designing your applications and that you have full and exclusive responsibility to assure the safety of your applications and compliance of your applications (and of all TI products used in or for your applications) with all applicable regulations, laws and other applicable requirements. You represent that, with respect to your applications, you have all the necessary expertise to create and implement safeguards that (1) anticipate dangerous consequences of failures, (2) monitor failures and their consequences, and (3) lessen the likelihood of failures that might cause harm and take appropriate actions. You agree that prior to using or distributing any applications that include TI products, you will thoroughly test such applications and the functionality of such TI products as used in such applications. TI has not conducted any testing other than that specifically described in the published documentation for a particular TI Resource.

You are authorized to use, copy and modify any individual TI Resource only in connection with the development of applications that include the TI product(s) identified in such TI Resource. NO OTHER LICENSE, EXPRESS OR IMPLIED, BY ESTOPPEL OR OTHERWISE TO ANY OTHER TI INTELLECTUAL PROPERTY RIGHT, AND NO LICENSE TO ANY TECHNOLOGY OR INTELLECTUAL PROPERTY RIGHT OF TI OR ANY THIRD PARTY IS GRANTED HEREIN, including but not limited to any patent right, copyright, mask work right, or other intellectual property right relating to any combination, machine, or process in which TI products or services are used. Information regarding or referencing third-party products or services does not constitute a license to use such products or services, or a warranty or endorsement thereof. Use of TI Resources may require a license from a third party under the patents or other intellectual property of the third party, or a license from TI under the patents or other intellectual property of TI.

TI RESOURCES ARE PROVIDED "AS IS" AND WITH ALL FAULTS. TI DISCLAIMS ALL OTHER WARRANTIES OR REPRESENTATIONS, EXPRESS OR IMPLIED, REGARDING TI RESOURCES OR USE THEREOF, INCLUDING BUT NOT LIMITED TO ACCURACY OR COMPLETENESS, TITLE, ANY EPIDEMIC FAILURE WARRANTY AND ANY IMPLIED WARRANTIES OF MERCHANTABILITY, FITNESS FOR A PARTICULAR PURPOSE, AND NON-INFRINGEMENT OF ANY THIRD PARTY INTELLECTUAL PROPERTY RIGHTS.

TI SHALL NOT BE LIABLE FOR AND SHALL NOT DEFEND OR INDEMNIFY YOU AGAINST ANY CLAIM, INCLUDING BUT NOT LIMITED TO ANY INFRINGEMENT CLAIM THAT RELATES TO OR IS BASED ON ANY COMBINATION OF PRODUCTS EVEN IF DESCRIBED IN TI RESOURCES OR OTHERWISE. IN NO EVENT SHALL TI BE LIABLE FOR ANY ACTUAL, DIRECT, SPECIAL, COLLATERAL, INDIRECT, PUNITIVE, INCIDENTAL, CONSEQUENTIAL OR EXEMPLARY DAMAGES IN CONNECTION WITH OR ARISING OUT OF TI RESOURCES OR USE THEREOF, AND REGARDLESS OF WHETHER TI HAS BEEN ADVISED OF THE POSSIBILITY OF SUCH DAMAGES.

You agree to fully indemnify TI and its representatives against any damages, costs, losses, and/or liabilities arising out of your non-compliance with the terms and provisions of this Notice.

This Notice applies to TI Resources. Additional terms apply to the use and purchase of certain types of materials, TI products and services. These include; without limitation, TI's standard terms for semiconductor products (<http://www.ti.com/sc/docs/stdterms.htm>), [evaluation modules](#), and [samples](http://www.ti.com/sc/docs/sampterm.htm) (<http://www.ti.com/sc/docs/sampterm.htm>).

Mailing Address: Texas Instruments, Post Office Box 655303, Dallas, Texas 75265  
Copyright © 2018, Texas Instruments Incorporated