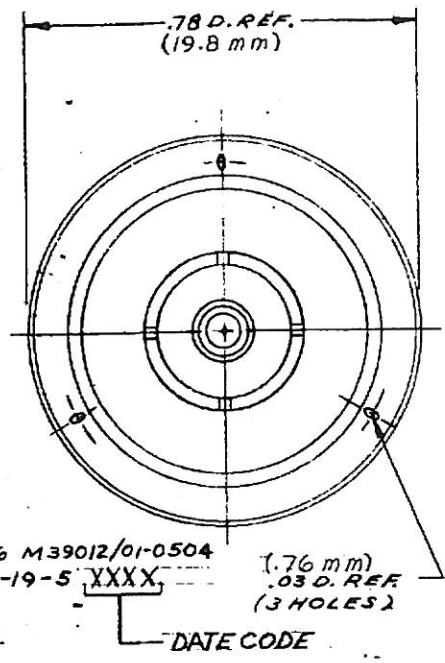
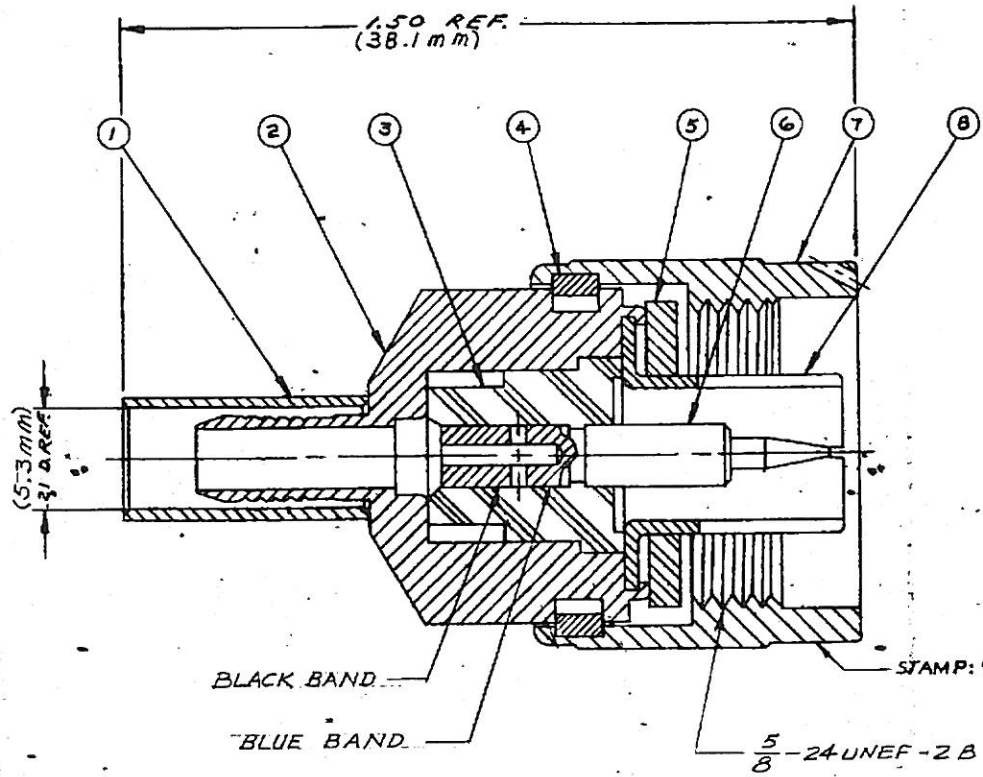


DASH NO.	M CODE	MADE FROM
----------	--------	-----------



STAMP: 91836 M39012/01-0504
1205-19-5 XXXX

- NOTES:
1. FOR USE WITH M17/028-RG058 CABLE
 2. FOR CABLING INSTRUCTIONS SEE CP-489.
 3. FOR CABLE TRIMMING USE KTJ-162 & KTD-208.
 4. FOR CRIMPING USE DIE SIZE 42.
 5. ITEM ⑥ TO BE SUPPLIED UNASSEMBLED.

UNLESS OTHERWISE SPECIFIED:	
1 TOLERANCES FRACTIONS & 2 PLACE DECIMALS ± .010	2 REMOVE ALL BURRS, BREAK SHARP EDGES .005 MAX.
3 PLACE DECIMALS ± .004	3 NO FILLETS PERMITTED
4 ANGLES ± 0°30'	4 SURFACE ROUGHNESS 63 MICRONS RMS MAX.
5 T I R CONCENTRICITY OF ANY 2 DIAMETERS MAY NOT EXCEED HALF THE SUM OF THEIR TOLERANCES	5 ALL DIMENSIONS PRIOR TO PLATING.
	6 ALL PLATING IN ACCORDANCE WITH KER 10004.

M39012/01-0504
S-D

REVISIONS	
ISSUE	CHANGES
0	RESTRICTED USAGE ER 29172... KH 13 OCT 87
1	CN 29715 E RESTRICTION REMOVED AJ 3 MAY 88
2	CN 32243 A LNM 1 JUN 90

SCALE	4:1
APPROX SURFACE AREA	1205-19-5
USED ON	
REF	
N PLUG	
DRAWN KH	DATE 12 OCT 87
APPR [Signature]	DATE 16 OCT 87
APPR	DATE

M39012/01-0504

(SHEET 1 OF 2)

ITEM	REQ'D	DESCRIPTION	PART NO.	M39012/01-0504 (SHEET 2 OF 2) S-D									
1	1	K-GRIP SLEEVE	1-4690-1M07	REVISIONS <table border="1"> <thead> <tr> <th>ISSUE</th> <th>CHANGES</th> </tr> </thead> <tbody> <tr> <td>0</td> <td>RESTRICTED USAGE ER 29172 KH 13 OCT 87</td> </tr> <tr> <td>1</td> <td>CN 29715 E RESTRICTION REMOVED AJ 3 MAY 88</td> </tr> <tr> <td>2</td> <td>CN 32243 A LNM 1 JUN 90</td> </tr> </tbody> </table>		ISSUE	CHANGES	0	RESTRICTED USAGE ER 29172 KH 13 OCT 87	1	CN 29715 E RESTRICTION REMOVED AJ 3 MAY 88	2	CN 32243 A LNM 1 JUN 90
ISSUE	CHANGES												
0	RESTRICTED USAGE ER 29172 KH 13 OCT 87												
1	CN 29715 E RESTRICTION REMOVED AJ 3 MAY 88												
2	CN 32243 A LNM 1 JUN 90												
2	1	K-GRIP BODY											
3	1	INSULATOR											
4	1	C-RING											
5	1	GASKET											
6	1	N CAPTIVE CRIMP CONTACT M	1-547-30M9D										
7	1	COUPLING NUT											
8	1	OUTER CONTACT											
9	1	CABLING INSTRUCTIONS	N-59-242-4M88	S-D USED ON: REF: FINISH SPEC. KER 10004 PARTS LIST DRAWN : PS DATE 13OCT87 APPR. DATE KINGS ELECTRONICS CO., INC. <small>PACKAGE, NEW YORK 10017</small> M39012/01-0504 S-D (SHEET 2 OF 2)									