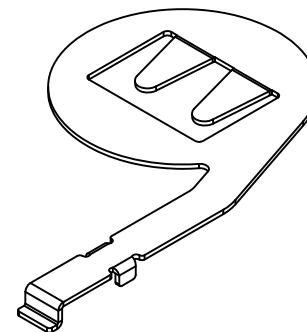
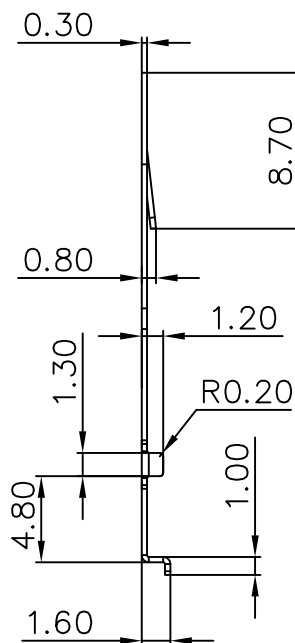
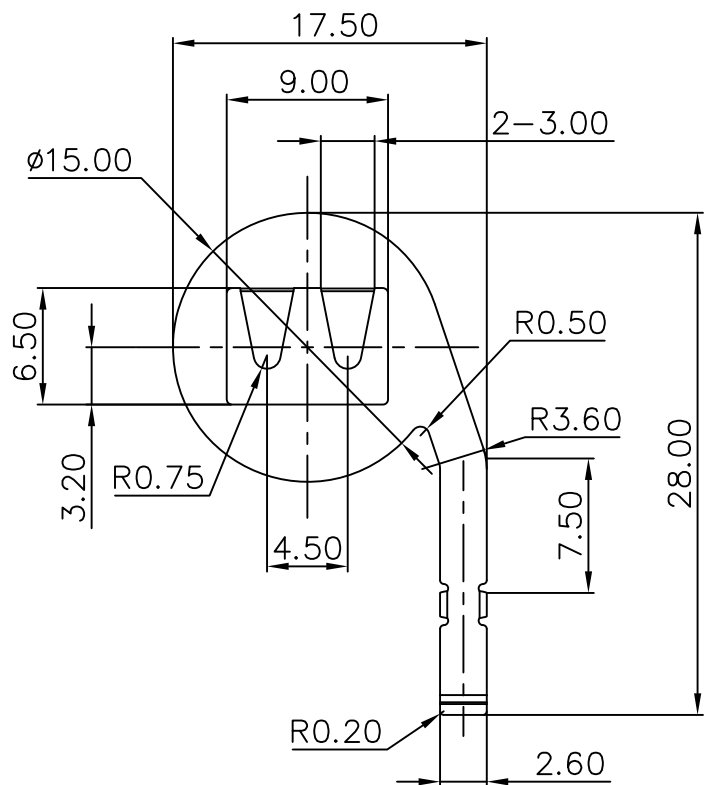




REV.	ECN NO.	REVISED	DATE



工程部
2019-10-23
LQ. HUANG

技术要求:

- 1、截剪断面毛刺高度 $\leq 0.03\text{mm}$;
- 2、部件要求平整,无变形、裂纹、损伤等外观缺陷;

UNLESS OTHERWISE SPECIFIED TOLERANCES		MYOUNG 美阳 www.meiyangdz.com			
DECIMALS: X :±0.30 X.X :±0.25 X.XX :±0.20 X.XXX :±0.10	ANGLES: X :±1° X.X :±0.5°	DSND	YangFeng	DATE	2019-10-23
WEIGHT:		CHKD	ZhouRuicai	DATE	2019-10-23
SHEET 1 OF 1		APVD	XueShunyong	DATE	2019-10-23
		SCALE:	SIZE: A4	VIEW:	
		UNIT: mm	REV.: A/0	OBJECT: MY	DRAW NO.:MY-CP-0213
		TITLE:		PART NO.:	
				MY-ZJ-015	
				电池接触片-015 正极	

1	TERMINAL +	1	H62 T=0.3	Imitating Gold-Plating
NO.	PART NAME	Q'TY	MATERIAL	PLATING & COLOR