

MICRO SWITCH
a Honeywell Division

SWITCH - ENCLOSED

CATALOG LISTING
DTE6-2RN

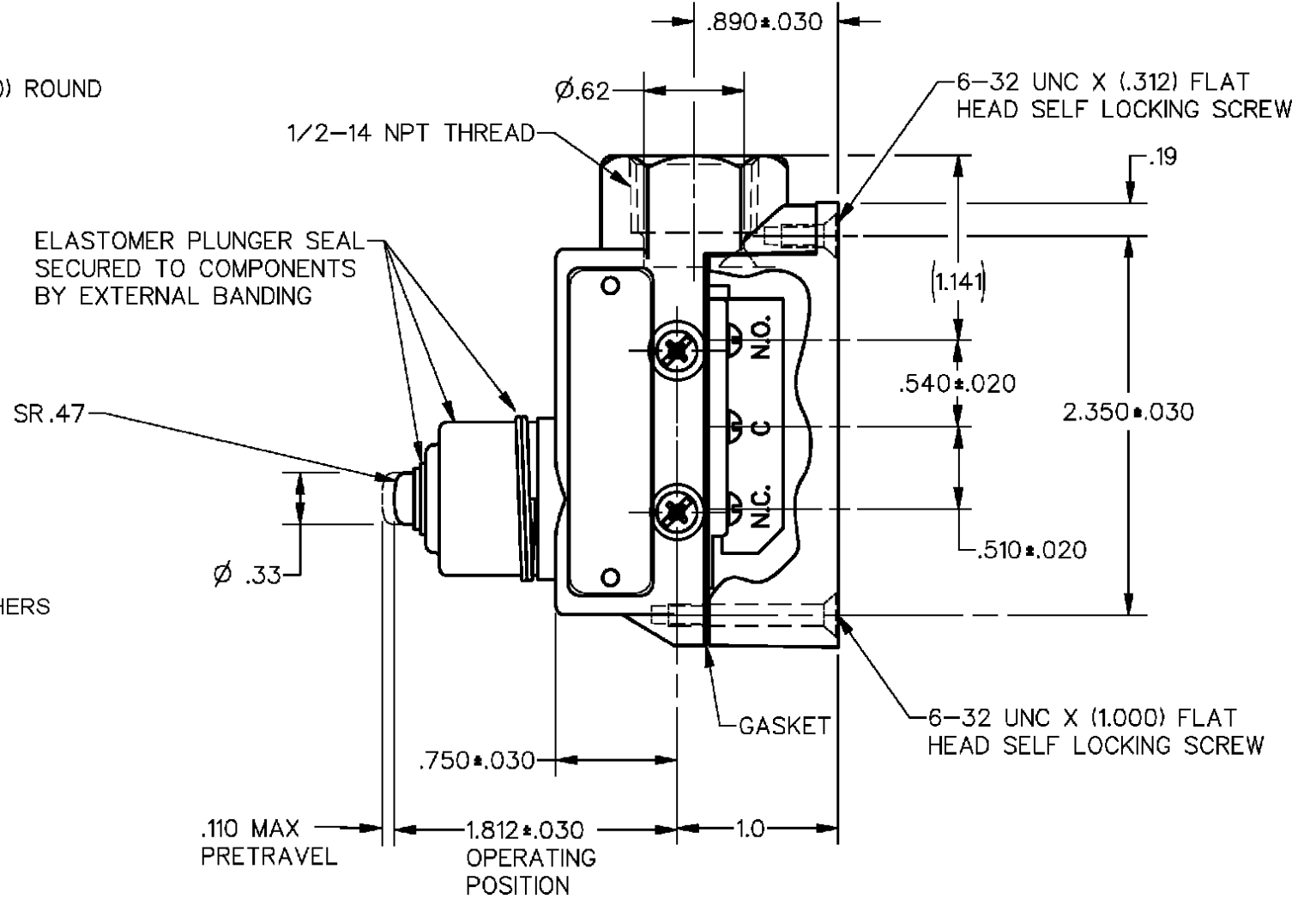
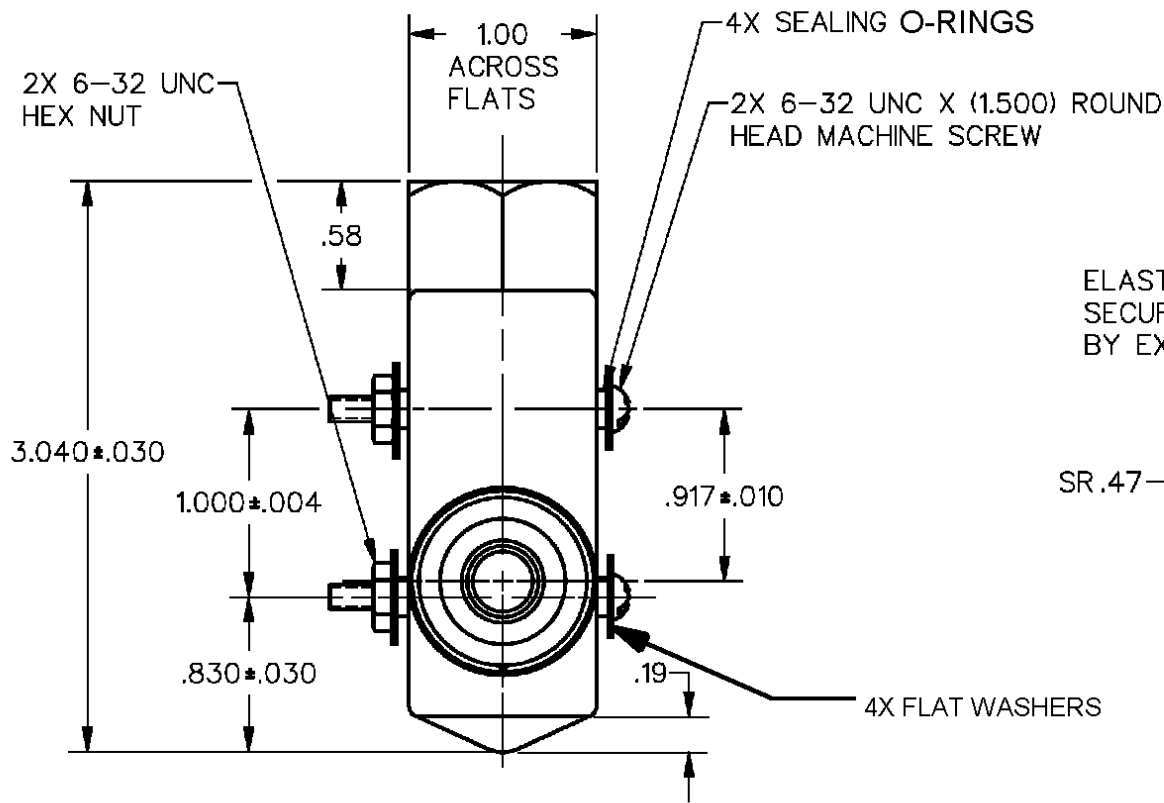
FED. MFG. CODE 91929

CATALOG LISTING
M
DTE6-2RN
ISSUE
16

REVISIONS	CHECK	DATE
A	CO-73751	8 OCT 92
B	CO-73655	21 APR 93
C	CO-77179B	21 FEB 94
D	0016895	
E	0018962	
F	0023923	
G	0025947	

DDM/CAD
DRAWN
S A V
8 OCT 92

REPLACES
03NOV06
RJ
03NOV06
CHECK
18NOV05
BP
21 FEB 94
CHECK
21 FEB 94
L S
21 FEB 94
CHECK
8 OCT 92



NOTE
1 - 6X 4-40 UNC X (.125) TERMINAL SCREW AND LOCKWASHER
2 - SEAL RATING : NEMA 1,3,4
IP66

THIS DRAWING COVERS A PROPRIETARY ITEM AND IS THE PROPERTY OF MICRO SWITCH, A DIVISION OF HONEYWELL. THIS DRAWING IS NOT TO BE COPIED OR USED WITHOUT THE APPROVAL OF MICRO SWITCH		THIRD ANGLE PROJECTION
CHARACTERISTICS	ELECTRICAL DATA	SCALE FULL
OPERATING FORCE ———— 26-59 OZ	CONTACT ARRANGEMENT D P D T	DO NOT SCALE PRINT
DIFFERENTIAL TRAVEL ———— .060 MAX		UNLESS OTHERWISE SPECIFIED TOLERANCES ARE
OVERTRAVEL ———— .125 MIN		ONE PLACE (.0) ± .030
BASIC SWITCH REPLACEMENT ——— DT-2R3-A7	L59 10A 125 OR 250 VAC 0.3A 125 VDC, 0.15A 250 VDC	TWO PLACE (.00) ± .015
		THREE PLACE (.000) ± .005
		ANGLES ±
		WEIGHT .56 LB

ANSI Y14.5M-1982 APPLIES