

PLEASE CHECK WWW.MOLEX.COM FOR LATEST PART INFORMATION

Part Number: [0003062062](#)
Status: **Active**
Overview: [standard_062](#)
Description: 1.57mm (.062") Diameter Standard .062 Pin and Socket Plug Housing, 6 Circuits, With Standard Mounting Ears

Documents:

[3D Model](#) [Product Specification PS-02-06 \(PDF\)](#)
[Drawing \(PDF\)](#) [RoHS Certificate of Compliance \(PDF\)](#)
[Packaging Specification \(PDF\)](#)

Agency Certification

CSA	LR19980
TUV	R72081037
UL	E29179

General

Product Family	Crimp Housings
Series	1625
Comments	Polarized to Mating Part
MolexKits	Yes
Overview	standard_062
Product Name	Standard .062"

Physical

Breakaway	No
Circuits (maximum)	6
Circuits Detail	2x3
Color - Resin	Natural
Flammability	94V-2
Gender	Plug
Glow-Wire Compliant	No
Keying to Mating Part	None
Lock to Mating Part	Yes
Material - Resin	Nylon
Number of Rows	3
Packaging Type	Bag
Panel Mount	Yes
Pitch - Mating Interface (in)	0.145 In
Pitch - Mating Interface (mm)	3.68 mm
Pitch - Term. Interface (in)	0.145 In
Pitch - Term. Interface (mm)	3.96 mm
Polarized to Mating Part	Yes
Stackable	No
Temperature Range - Operating	-40°C to +105°C

Electrical

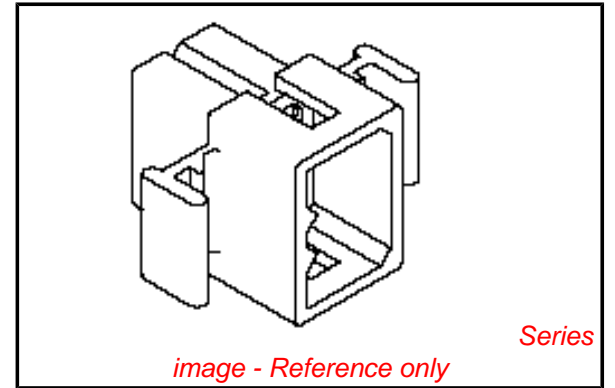
Current - Maximum per Contact	5A
-------------------------------	----

Material Info

Old Part Number	1625-6P
-----------------	---------

Reference - Drawing Numbers

Packaging Specification	PK-1625-001
Product Specification	PS-02-06
Sales Drawing	SD-1625-6*



EU RoHS

ELV and RoHS Compliant
REACH SVHC Contains SVHC: No
Halogen-Free Status
Not Reviewed

China RoHS



Need more information on product environmental compliance?

Email productcompliance@molex.com
 For a multiple part number RoHS Certificate of Compliance, [click here](#)

Please visit the [Contact Us](#) section for any non-product compliance questions.

Search Parts in this Series

[1625Series](#)

Mates With

[1625](#) Receptacle

Use With

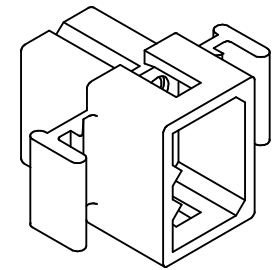
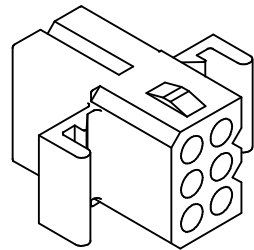
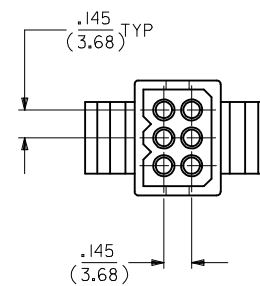
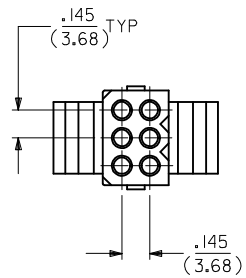
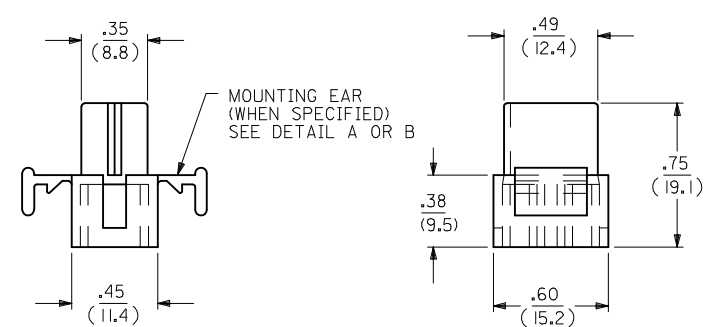
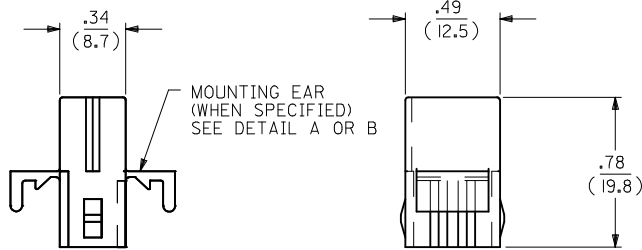
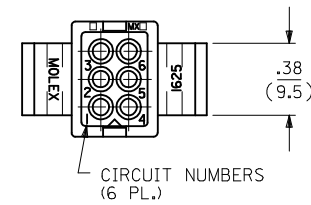
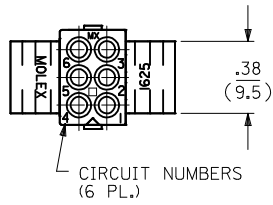
Female Crimp Terminals [1561](#)[Link:4559](#), [4529](#), [2190](#), [2189](#), [1787](#), [1855](#). Male Crimp Terminals [1560](#), [1786](#), [1854](#), [1778](#). Male PC Tail Terminals. [1779](#) Female PC Tail Terminals

This document was generated on 06/07/2010

PLEASE CHECK WWW.MOLEX.COM FOR LATEST PART INFORMATION

RECEPTACLE

PLUG



SHOWN WITH STANDARD EAR

SHOWN WITH STANDARD EAR

UPDATE TITLE BLOCK EC NO: UCP2006-1431 DRW: NAEHAG 2006/08/29 CHKD: LSCHMIDT 2006/08/29 APPR: FSMITH 2006/08/30	QUALITY SYMBOLS ▽=0 ▽=0	GENERAL TOLERANCES (UNLESS SPECIFIED)		DIMENSION STYLE IN/MM	SCALE ---	DESIGN UNITS INCH	THIRD ANGLE PROJECTION		
		4 PLACES ± --- ± --- 3 PLACES ± --- ± .010 2 PLACES ± 0.25 ± .014 1 PLACE ± 0.35 ± ---	mm INCH	DRAWN BY KBW	DATE 7/22/88	TITLE .062/(1.57) HOUSING PLUG & RECEPTACLE 6 CKT, .145/(3.68) C.L.			
		ANGULAR ± 1/2°		CHECKED BY RW	DATE 7/22/88	MOLEX INCORPORATED			
		DRAFT WHERE APPLICABLE MUST REMAIN WITHIN DIMENSIONS		APPROVED BY RAS	DATE 7/22/88	MATERIAL NO. SEE CHART	DOCUMENT NO. SD-1625-6*	SHEET NO. 1 OF 2	
J1	REV	SIZE C		THIS DRAWING CONTAINS INFORMATION THAT IS PROPRIETARY TO MOLEX INCORPORATED AND SHOULD NOT BE USED WITHOUT WRITTEN PERMISSION					

PLUG		
ORDER NO	ENG NO	
03-06-2062	I625-6P	
03-06-2061	I625-6P1	
03-06-7062	I625-6PBK	
03-06-7061	I625-6P1BK	
03-06-7063	I625-6POR	OBSOLETE
-	-	

RECEPTACLE		
ORDER NO	ENG NO	
03-06-1061	I625-6R	
03-06-1062	I625-6R1	
03-06-6061	I625-6RBK	
03-06-6062	I625-6R1BK	
03-06-6063	I625-6ROR	OBSOLETE
03-06-6064	I625-6RBU	
NOT TOOLED	I625-6R2	

LEGEND:

I625-6****

CIRCUIT SIZE

P = PLUG

R = RECEPTACLE

BLANK = WITH STANDARD EARS

1 = WITHOUT EARS

2 = WITH PREBENT EARS

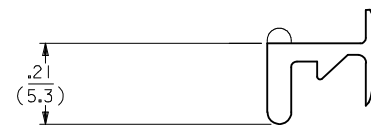
COLOR:

BLANK = NATURAL COLOR

AM = AMBER BK = BLACK BU = BLUE

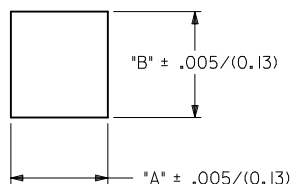
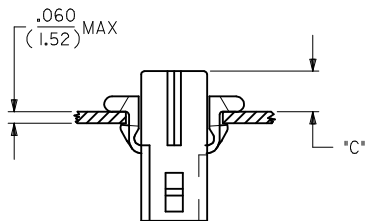
BN = BROWN GY = GRAY GN = GREEN

OR = ORANGE RD = RED YW = YELLOW

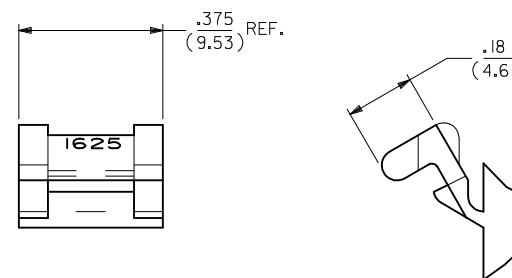


DETAIL A

.062/(1.57) STANDARD MOUNTING EAR
(SCALE 4:1)



HOUSING	DIM. "A"	DIM. "B"	"C" PREBENT EAR	"C" STANDARD EAR
PLUG	.607/(15.42)	.615/(15.62)	.22/(5.6)	.18/(4.6)
RECEPT.	.505/(12.83)	.552/(14.02)	.23/(5.8)	.19/(4.8)



DETAIL B

.062/(1.57)PREBENT MOUNTING EAR
(SCALE 4:1)

NOTES:-

1. MATERIAL NYLON TYPE 6/6, 94-2.
2. FINISH: NONE.
3. PRODUCT SPECS: MOLEX PRODUCT SPECS 02-06 APPLIES.
4. PACKAGING SPECS: BULK PACK PER PK-1625-001.

REINSTATE PARTS EC NO: UCP2006-1431 DRWINAELHAG 2006/08/29 CHKDLSCHMIDT 2006/08/29 APPR:FSMITH 2006/08/30	QUALITY SYMBOLS ▽=0 ▽=0	GENERAL TOLERANCES (UNLESS SPECIFIED) <table border="1"> <thead> <tr> <th></th> <th>mm</th> <th>INCH</th> </tr> </thead> <tbody> <tr> <td>4 PLACES</td> <td>± .---</td> <td>± .---</td> </tr> <tr> <td>3 PLACES</td> <td>± .---</td> <td>± .010</td> </tr> <tr> <td>2 PLACES</td> <td>± 0.25</td> <td>± .014</td> </tr> <tr> <td>1 PLACE</td> <td>± 0.35</td> <td>± .---</td> </tr> </tbody> </table>		mm	INCH	4 PLACES	± .---	± .---	3 PLACES	± .---	± .010	2 PLACES	± 0.25	± .014	1 PLACE	± 0.35	± .---	DIMENSION STYLE IN/MM	SCALE ---	DESIGN UNITS INCH	THIRD ANGLE PROJECTION
		mm	INCH																		
	4 PLACES	± .---	± .---																		
	3 PLACES	± .---	± .010																		
2 PLACES	± 0.25	± .014																			
1 PLACE	± 0.35	± .---																			
DRAWN BY KBW	DATE 7/22/88	TITLE .062 / (1.57) HOUSINGS PLUG & RECEPTACLE 6 CKT, .145/(3.683) C.L.	MOLEX INCORPORATED																		
CHECKED BY RW	DATE 7/22/88	APPROVED BY RAS	DATE 7/22/88	MATERIAL NO. SEE CHART	DOCUMENT NO. SD-1625-6*	SHEET NO. 2 OF 2															
DRAFT WHERE APPLICABLE MUST REMAIN WITHIN DIMENSIONS	ANGULAR ±1/2°	SIZE C	THIS DRAWING CONTAINS INFORMATION THAT IS PROPRIETARY TO MOLEX INCORPORATED AND SHOULD NOT BE USED WITHOUT WRITTEN PERMISSION																		